



ELM3320
ELM3720
ELM4120

EN	Electric Lawn Mower	INSTRUCTION MANUAL	9
FR	Tondeuse Electrique	MANUEL D'INSTRUCTIONS	16
DE	Elektro-Rasenmäher	BETRIEBSANLEITUNG	24
IT	Tosaerba elettrico	ISTRUZIONI PER L'USO	32
NL	Elektrische grasmaaier	GEBRUIKSAANWIJZING	40
ES	Cortadora Eléctrica de Césped	MANUAL DE INSTRUCCIONES	48
PT	Cortador de Grama Elétrico	MANUAL DE INSTRUÇÕES	56
DA	Elektrisk plæneklipper	BRUGSANVISNING	64
EL	Ηλεκτρική μηχανή γκαζόν	ΕΓΧΕΙΡΙΔΙΟ ΟΔΗΓΙΩΝ	71
TR	Elektrikli Çim Bıçme Makinesi	KULLANMA KILAVUZU	80
SV	Elektrisk gräsklippare	BRUKSANVISNING	87
NO	Elektrisk gressklipper	BRUKSANVISNING	94
FI	Sähköruohonleikkuri	KÄYTTÖOHJE	101
LV	Elektriskā zāles pļaujmašīna	LIETOŠANAS INSTRUKCIJA	108
LT	Elektrinė vejapjovė	NAUDOJIMO INSTRUKCIJA	115
ET	Elektriline muruniiduk	KASUTUSJUHEND	122
PL	Elektryczna kosiarka do trawy	INSTRUKCJA OBSŁUGI	129
HU	Elektromos fűnyíró	HASZNÁLATI KÉZIKÖNYV	137
SK	Elektrická kosačka	NÁVOD NA OBSLUHU	144
CS	Elektrická sekačka na trávu	NÁVOD K OBSLUZE	152
SL	Električna kosilnica	NAVODILA ZA UPORABO	159
SQ	Kositëse bari elektrike	MANUALI I PËRDORIMIT	166
BG	Безжична косачка за трева	РЪКОВОДСТВО ЗА ЕКСПЛОАТАЦИЯ	174
HR	Električna kosilica za travu	PRIRUČNIK S UPUTAMA	183
MK	Електрична косилка	УПАТСТВО ЗА УПОТРЕБА	190
SR	Електрична косилица за траву	УПУТСТВО ЗА УПОТРЕБУ	198
RO	Mașină electrică de tuns iarba	MANUAL DE INSTRUCȚIUNI	206
UK	Електрична газонокосарка	ІНСТРУКЦІЯ З ЕКСПЛУАТАЦІЇ	214
RU	Электрическая Газонокосилка	РУКОВОДСТВО ПО ЭКСПЛУАТАЦИИ	223



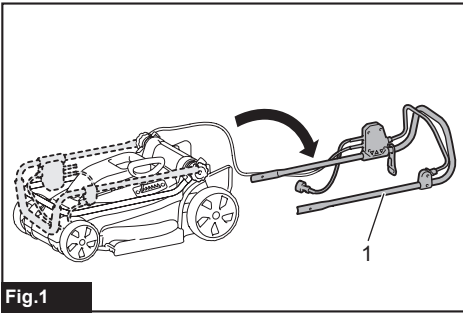


Fig.1

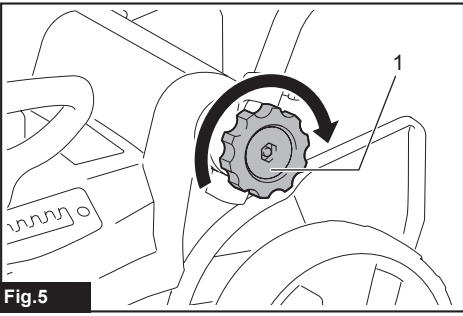


Fig.5

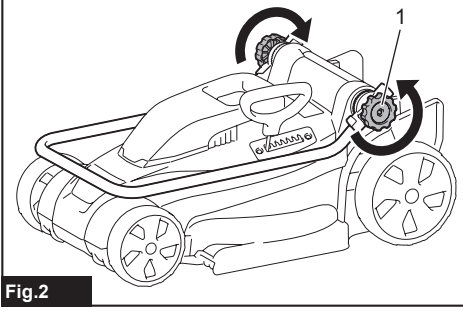


Fig.2

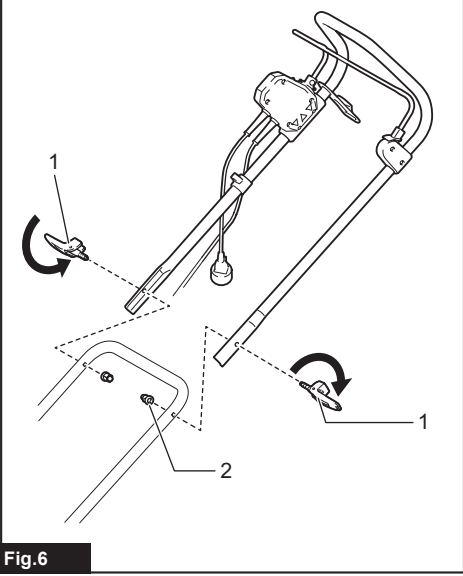


Fig.6

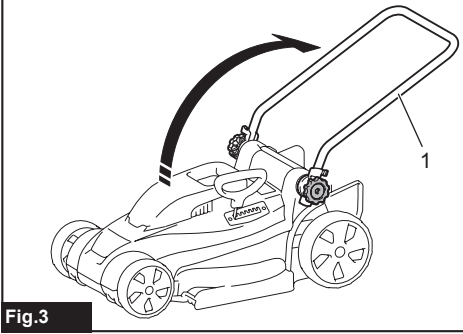


Fig.3

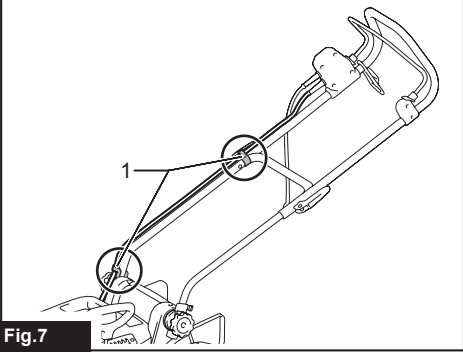


Fig.7

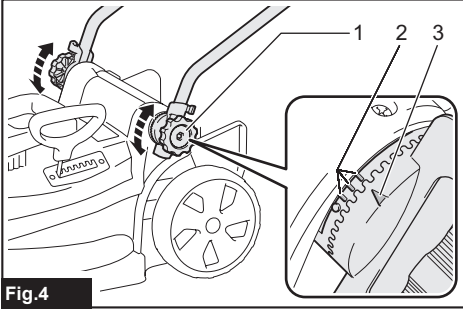


Fig.4

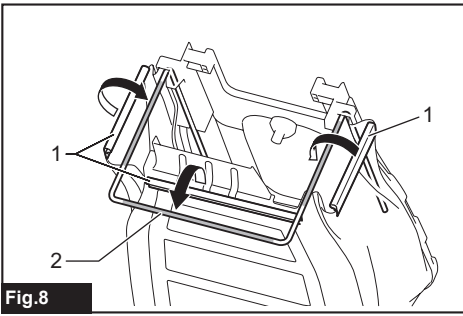


Fig.8

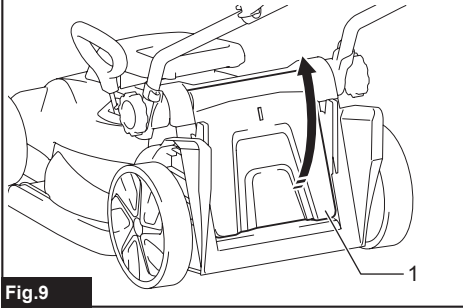


Fig.9

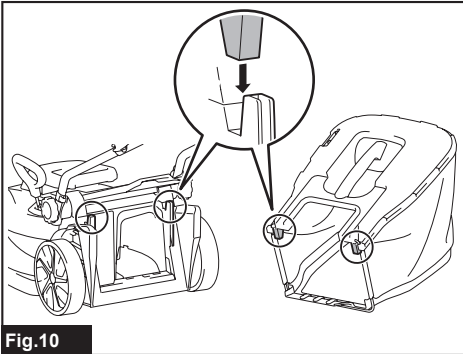


Fig.10

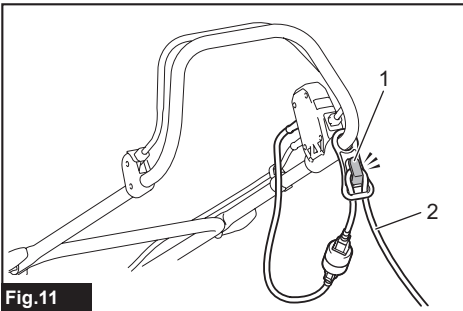


Fig.11

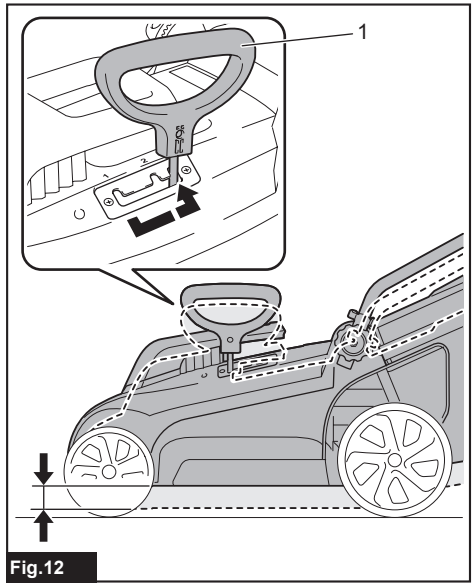


Fig.12

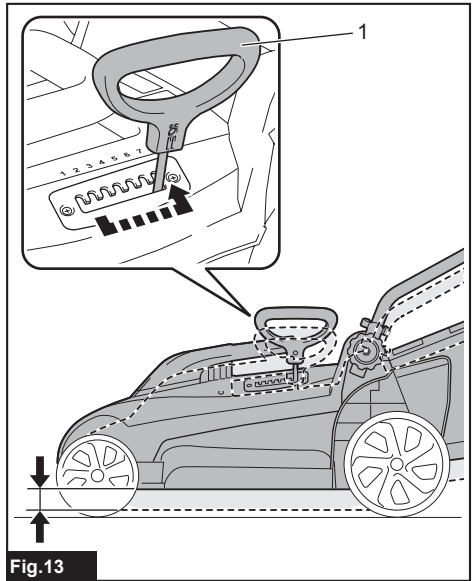


Fig.13

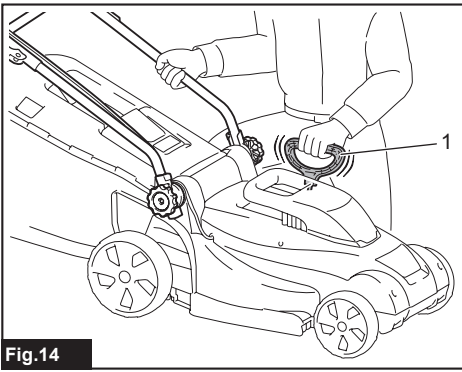


Fig. 14

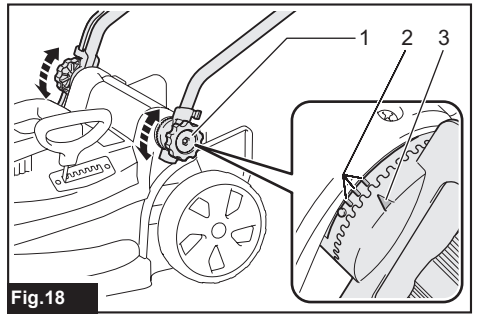


Fig. 18

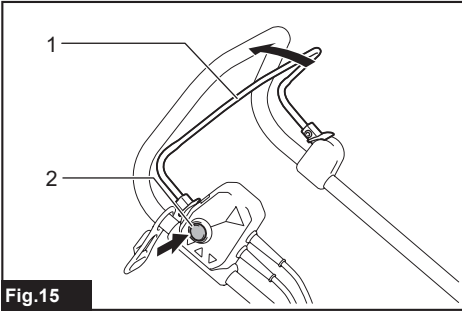


Fig. 15



Fig. 19

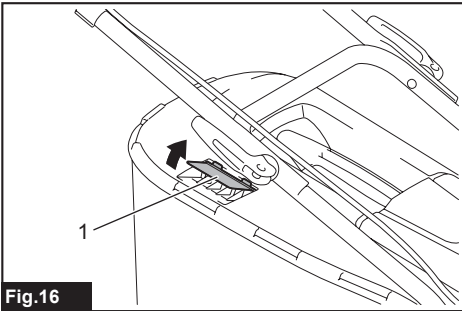


Fig. 16

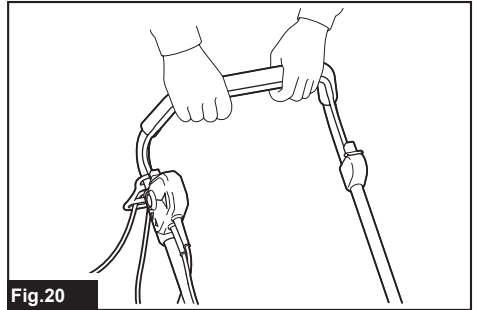


Fig. 20

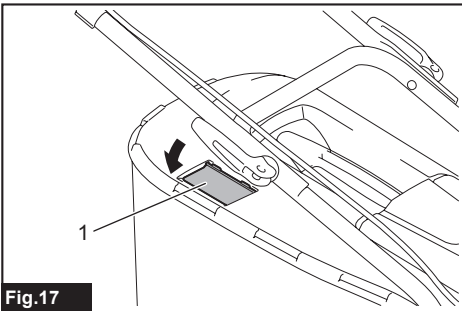


Fig. 17

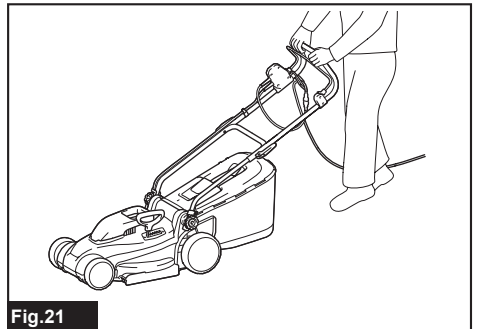


Fig. 21

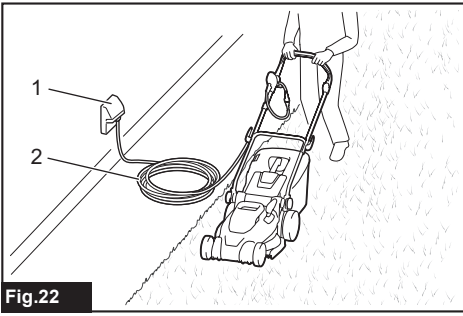


Fig.22

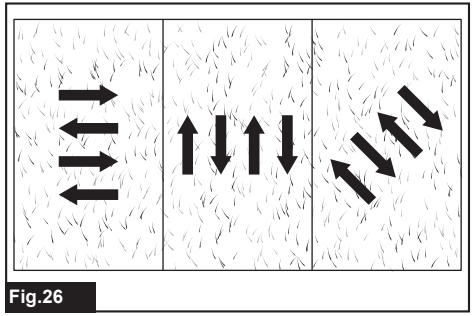


Fig.26

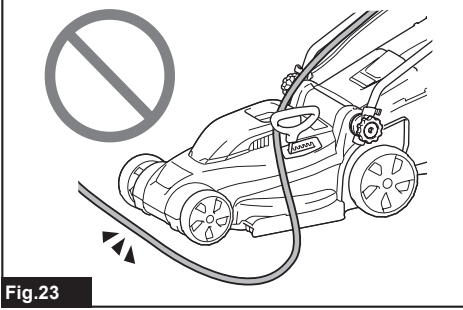


Fig.23

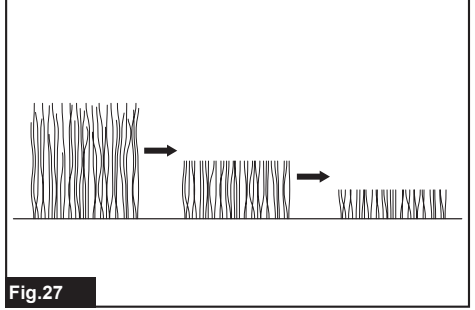


Fig.27

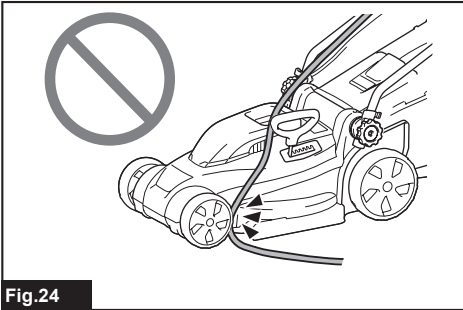


Fig.24

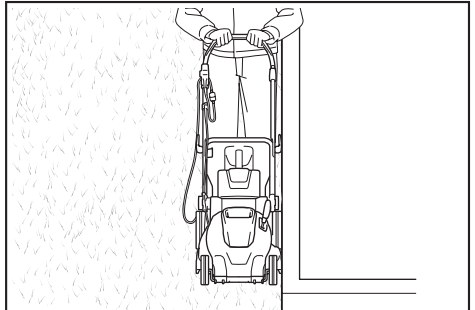


Fig.28

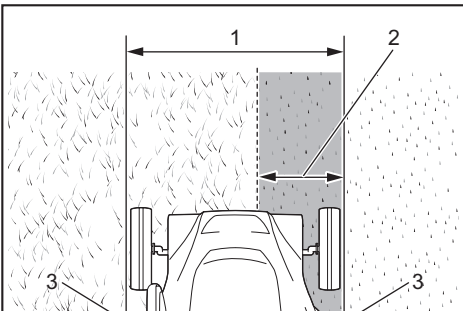


Fig.25

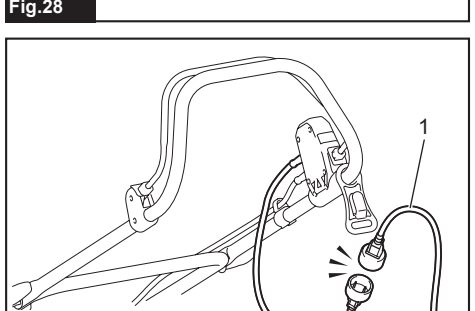


Fig.29

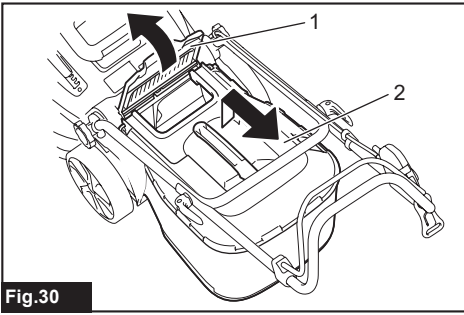


Fig.30

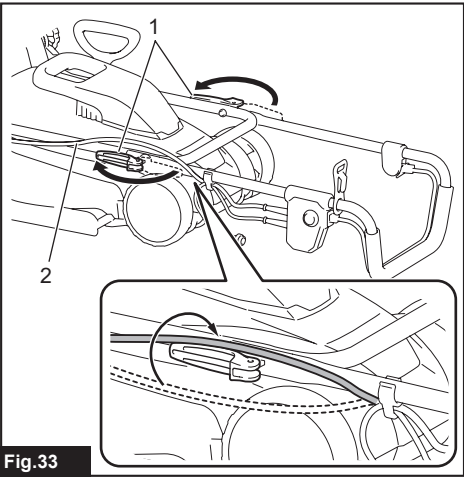


Fig.33

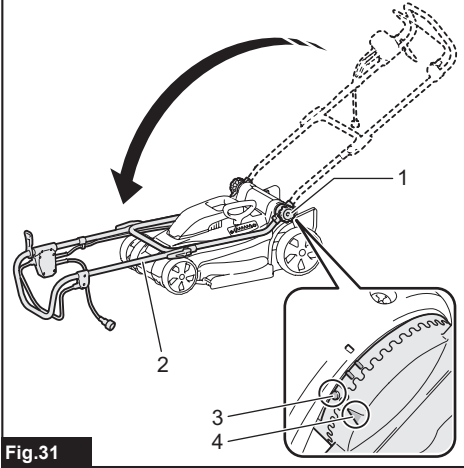


Fig.31

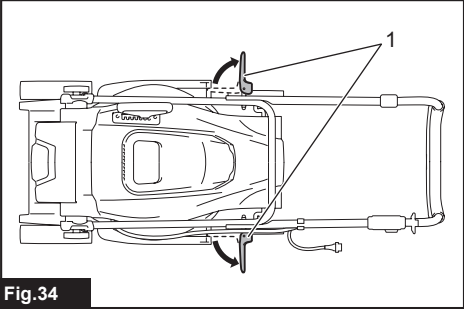


Fig.34

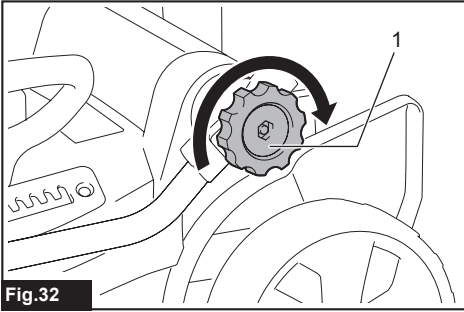


Fig.32

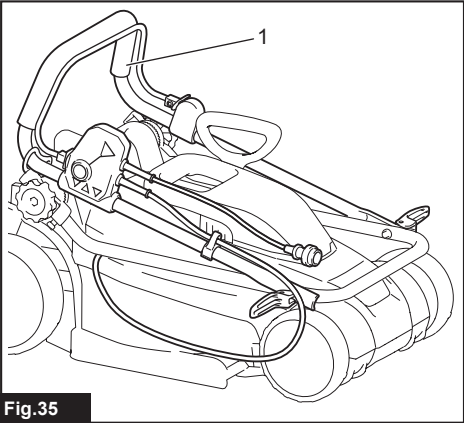


Fig.35

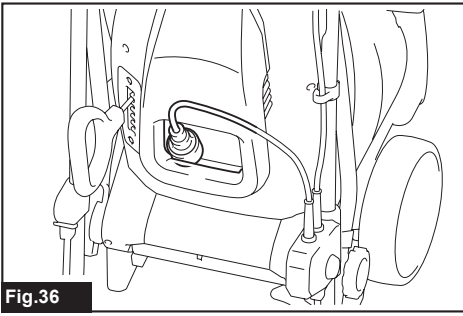


Fig.36

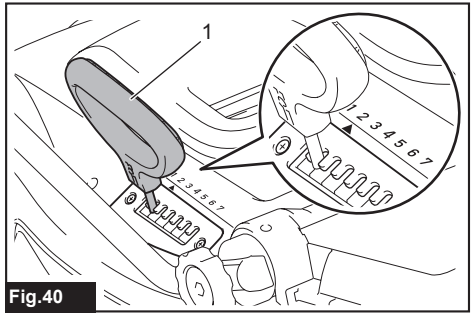


Fig.40

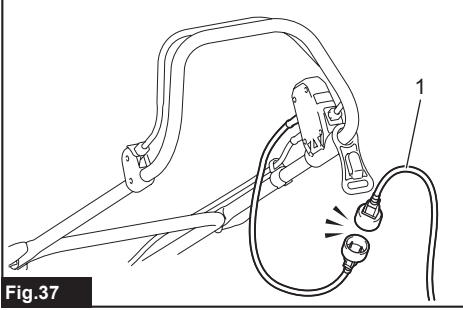


Fig.37

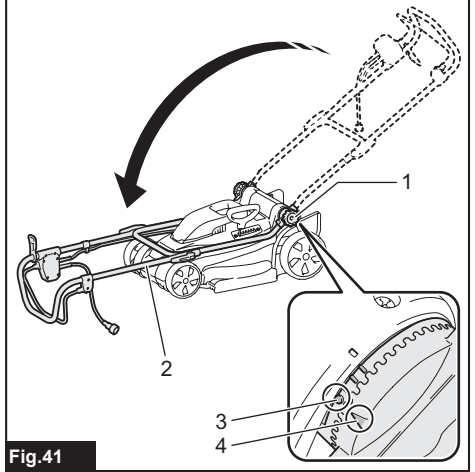


Fig.41

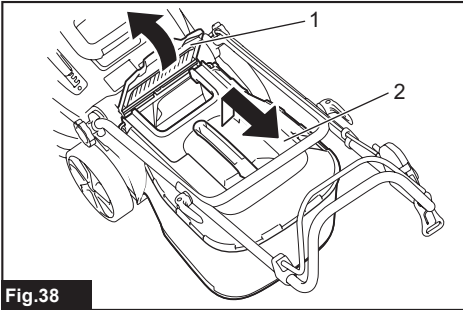


Fig.38

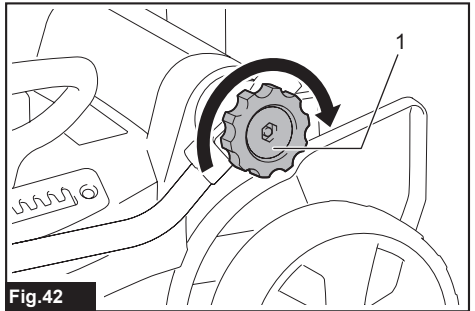


Fig.42

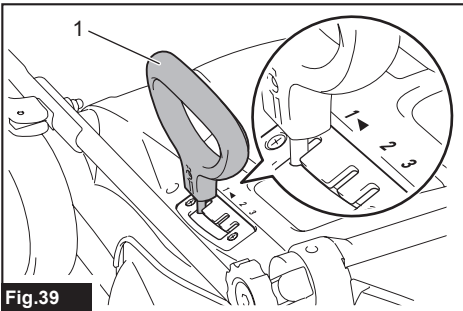


Fig.39

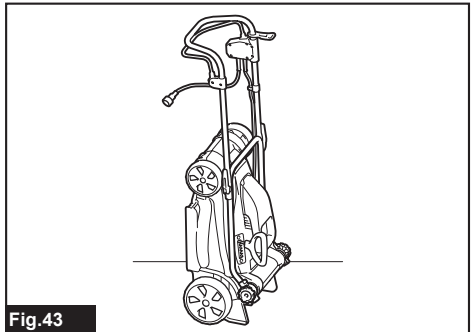


Fig.43

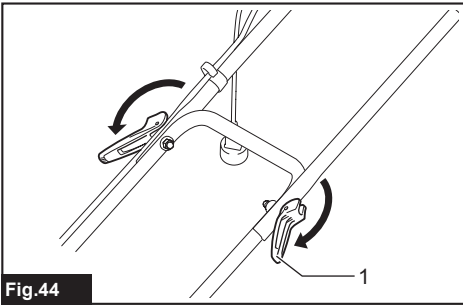


Fig.44

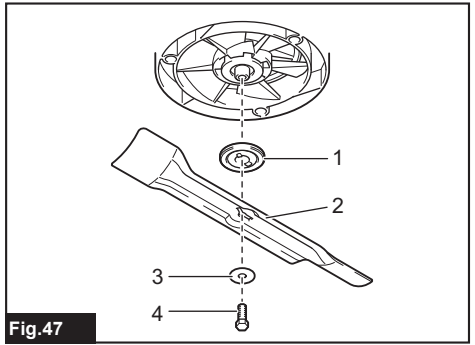


Fig.47

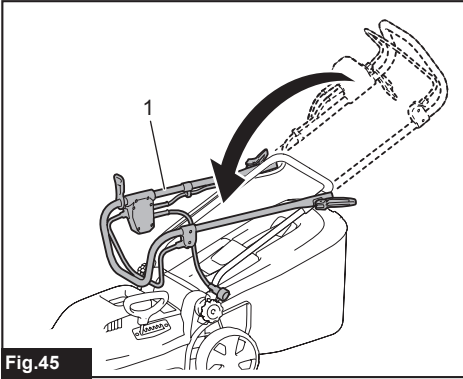


Fig.45

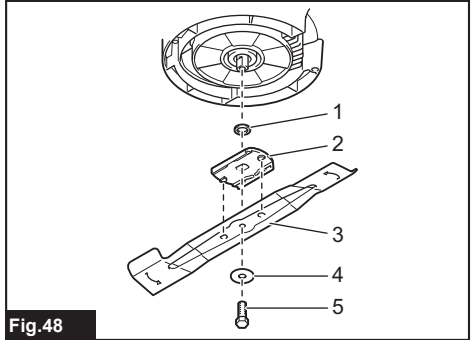


Fig.48

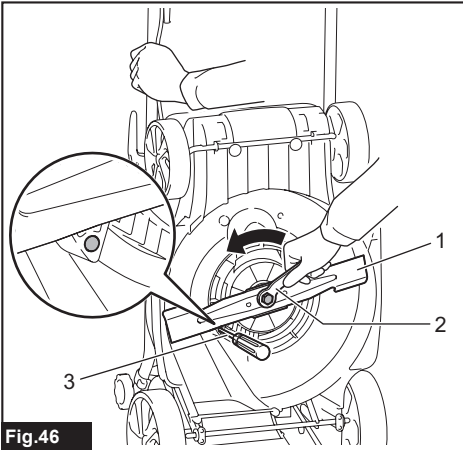


Fig.46

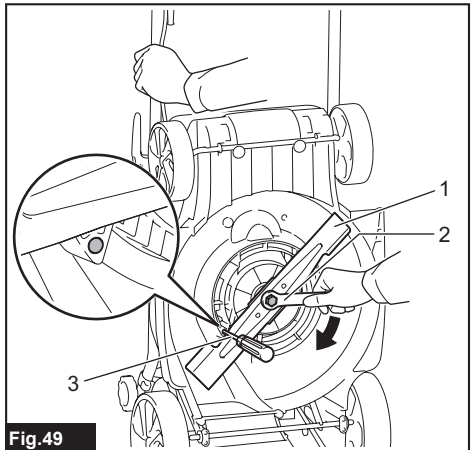


Fig.49

SPECIFICATIONS

Model:	ELM3320	ELM3720	ELM4120
No load speed	3,400 min ⁻¹		
Cutting height	20 mm - 55 mm		20 mm - 75 mm
Cutting width	330 mm	370 mm	410 mm
Part number of replacement mower blade	YA00000731	YA00000732	YA00000733
Dimensions (L x W x H)	During operation (with grass basket)	L: 1,040 mm to 1,230 mm W: 380 mm H: 870 mm to 1,110 mm	L: 1,140 mm to 1,330 mm W: 415 mm H: 890 mm to 1,120 mm
	When stored (without grass basket)	350 mm x 380 mm x 1,090 mm	335 mm x 415 mm x 1,090 mm
Net weight	10.2 kg	11.6 kg	14.5 kg
Safety class	□/II		

- Due to our continuing program of research and development, the specifications herein are subject to change without notice.
- Specifications may differ from country to country.
- The weight may differ depending on the attachment(s). The lightest and heaviest combination, according to EPTA-Procedure 01/2014, are shown in the table.

Symbols

The followings show the symbols used for the equipment. Be sure that you understand their meaning before use.

	Take particular care and attention. Read the instruction manual.
	DOUBLE INSULATION
	Danger; be aware of thrown objects. The distance between the tool and bystanders must be at least 15 m.
	Wait until all machine components have completely stopped before touching them.
	Keep the supply flexible cord away from the cutting blades.
	Beware of sharp blades. Blades continue to rotate after the motor is switched off. Remove the plug from the machine before maintenance or if cord is damaged.
	The noise of the machine is not more than 96 dB.
	Keep hands and feet away. Do not operate mower unless the guards and attachments are in proper place.



Only for EU countries
Do not dispose of electric equipment together with household waste material! In observance of the European Directive, on Waste Electric and Electronic Equipment and its implementation in accordance with national law, electric equipment that have reached the end of their life must be collected separately and returned to an environmentally compatible recycling facility.

Intended use

The machine is intended for lawn mowing. Do not use the machine for other purposes. Use of the machine for operations other than the intended use could result in a hazardous situation.

Power supply

The tool should be connected only to a power supply of the same voltage as indicated on the nameplate, and can only be operated on single-phase AC supply. They are double-insulated and can, therefore, also be used from sockets without earth wire. If the supply cord is damaged, it must be replaced by the manufacturer or its service agent in order to avoid a hazard.

For public low-voltage distribution systems of between 220 V and 250 V

Switching operations of electric apparatus cause voltage fluctuations. The operation of this device under unfavorable mains conditions can have adverse effects to the operation of other equipment. With a mains impedance equal or less than 0.425 Ohms (for ELM3720) or 0.427 Ohms (for ELM4120), it can be presumed that there will be no negative effects. The mains socket used for this device must be protected with a fuse or protective circuit breaker having slow tripping characteristics.

Noise

Applicable standard : EN60335

Model	Sound pressure level		Sound power level	
	L _{PA} (dB(A))	Uncertainty K (dB(A))	L _{PA} (dB(A))	Uncertainty K (dB(A))
ELM3320	83	3	94	2
ELM3720	83	3	94	1
ELM4120	84	3	93	2

NOTE: The declared noise emission value(s) has been measured in accordance with a standard test method and may be used for comparing one tool with another.

NOTE: The declared noise emission value(s) may also be used in a preliminary assessment of exposure.

⚠ WARNING: Wear ear protection.

⚠ WARNING: The noise emission during actual use of the power tool can differ from the declared value(s) depending on the ways in which the tool is used especially what kind of workpiece is processed.

⚠ WARNING: Be sure to identify safety measures to protect the operator that are based on an estimation of exposure in the actual conditions of use (taking account of all parts of the operating cycle such as the times when the tool is switched off and when it is running idle in addition to the trigger time).

Vibration

The vibration total value (tri-axial vector sum) determined according to EN60335:

Model ELM3320

Vibration emission (a_h) : 2.5 m/s² or less
Uncertainty (K) : 1.5 m/s²

Model ELM3720

Vibration emission (a_h) : 2.5 m/s² or less
Uncertainty (K) : 1.5 m/s²

Model ELM4120

Vibration emission (a_h) : 2.5 m/s² or less
Uncertainty (K) : 1.5 m/s²

NOTE: The declared vibration total value(s) has been measured in accordance with a standard test method and may be used for comparing one tool with another.

NOTE: The declared vibration total value(s) may also be used in a preliminary assessment of exposure.

⚠ WARNING: The vibration emission during actual use of the power tool can differ from the declared value(s) depending on the ways in which the tool is used especially what kind of workpiece is processed.

⚠ WARNING: Be sure to identify safety measures to protect the operator that are based on an estimation of exposure in the actual conditions of use (taking account of all parts of the operating cycle such as the times when the tool is switched off and when it is running idle in addition to the trigger time).

EC Declaration of Conformity

For European countries only

The EC declaration of conformity is included as Annex A to this instruction manual.

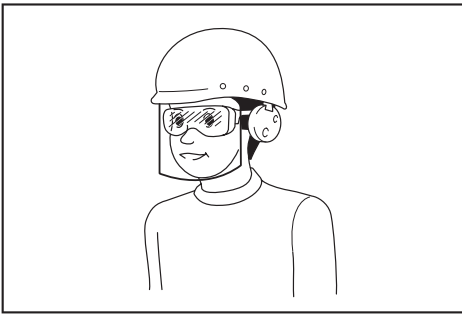
SAFETY WARNINGS

IMPORTANT SAFETY INSTRUCTIONS

⚠ WARNING: Read all safety warnings and all instructions. Failure to follow the warnings and instructions may result in electric shock, fire and/or serious injury.

Save all warnings and instructions for future reference.

1. Children should be supervised to ensure that they do not play with the mower.
2. Never allow children or people unfamiliar with these instructions to use the mower. Local regulations can restrict the age of the operator.
3. Never operate the mower while people, especially children, or pets are nearby.
4. Keep in mind that the operator or user is responsible for accidents or hazards occurring to other people or their property.
5. While operating the mower, always wear substantial footwear and long trousers. Do not operate the mower when barefoot or wearing open sandals. Avoid wearing clothing or jewelry that is loose fitting or that has hanging cords or ties. They can be caught in moving parts.
6. Always wear protective goggles to protect your eyes from injury when using power tools. The goggles must comply with ANSI Z87.1 in the USA, EN 166 in Europe, or AS/NZS 1336 in Australia/New Zealand. In Australia/New Zealand, it is legally required to wear a face shield to protect your face, too.



It is an employer's responsibility to enforce the use of appropriate safety protective equipments by the tool operators and by other persons in the immediate working area.

7. Before use, check the supply and power cord for signs of damage or aging. If the cord becomes damaged during use, disconnect the cord from the supply immediately. Do not touch the cord before disconnecting the supply. Do not use the mower if the cord is damaged or worn.
8. Operate the mower only in daylight or in good artificial light.
9. Avoid operating the mower in wet grass.
10. Never operate the mower in the rain.
11. Always keep a firm hold on the handle.
12. Always be sure of your footing on slopes.
13. Walk, never run.
14. Don't grasp the exposed cutting blades or cutting edges when picking up or holding the mower.
15. Physical condition - Do not operate mower while under the influence of drugs, alcohol, or any medication.
16. Keep hands and feet away from rotating blades. Caution - Blades coast after the mower is switched off.
17. Use only the manufacturer genuine blades specified in this manual.
18. Check the blades carefully for cracks or damage before operation. Replace cracked or damaged blades immediately.
19. Be sure the area is clear of other people before mowing. Stop mower if anyone enters the area.
20. Remove foreign matters such as rocks, wire, bottles, bones and large sticks from the work area before mowing to prevent personal injury or damage to the mower.
21. Stop operation immediately if you notice anything unusual. Switch off the mower and unplug the power cord from the power supply. Then inspect the mower.
22. Never attempt to make wheel height adjustments while mower is running.
23. Release switch lever and wait for blade rotation to stop before crossing driveways, walks, roads, and any gravel-covered areas. Also unplug the power cord from the power supply if you leave the mower, reach to pick up or remove something out of your way, or for any other reason that may distract you from what you are doing.
24. Objects struck by the mower blade can cause severe injuries to persons. The lawn should always be carefully examined and cleared of all objects prior to each mowing.
25. If the mower strikes a foreign object, follow these steps:
 - Stop the mower, release the switch lever and wait until the blade comes to a complete stop.
 - Unplug the power cord from the power supply.
 - Thoroughly inspect the mower for any damage.
 - Replace the blade if it is damaged in any way. Repair any damage before restarting and continuing to operate the mower.
26. Check the grass basket frequently for wear or deterioration. For storage, always make sure the grass basket is empty. Replace a worn grass basket with a new factory replacement for safety.
27. Use extreme caution when reversing or pulling the mower towards you.
28. Stop the blade(s) if the mower has to be tilted for transportation when crossing surfaces other than grass, and when transporting the mower to and from the area to be used.
29. Never operate the mower with defective guards or shields, or without safety devices, for example deflectors and/or grass basket, in place.
30. Switch on the mower carefully according to instructions and with feet well away from the blade(s).
31. Do not tilt the mower when switching on the motor, except if the mower has to be tilted for starting. In this case, do not tilt it more than absolutely necessary and lift only the part, which is away from the operator. Always ensure that both hands are in the operating position before returning the appliance to the ground.
32. Do not start the mower when standing in front of the discharge opening.
33. Do not put hands or feet near or under rotating parts. Keep clear of the discharge opening at all times.
34. Do not transport the mower while the mower is turned on.
35. Stop the mower, and remove plug from the socket. Make sure that all moving parts have come to a complete stop
 - whenever you leave the mower,
 - before clearing blockages or unclogging chute,
 - before checking, cleaning or working on the mower,
 - after striking a foreign object. Inspect the mower for damage and make repairs before restarting and operating the mower.
36. If the mower starts to vibrate abnormally (check immediately)
 - inspect for damage,
 - replace or repair any damaged parts,
 - check for and tighten any loose parts.
37. Be careful during adjustment of the mower to prevent entrapment of the fingers between moving blades and fixed parts of the mower.
38. Mow across the face of slopes, never up and down. Exercise extreme caution when changing direction on slopes. Do not mow excessively steep slopes.
39. Do not wash with a hose; avoid getting water in motor and electrical connections.
40. Check the blade mounting bolt at frequent intervals for proper tightness.
41. Keep all nuts, bolts, and screws tight to be sure the equipment is in safe working condition.

42. Take care as rotating one blade can cause other blades to rotate.
43. Always allow the mower to cool down before storing.
44. When servicing the blades be aware that, even though the power source is switched off, the blades can still be moved.
45. Replace worn or damaged parts for safety. Use only genuine replacement parts and accessories.
46. Have your power tool serviced by a qualified repair person using only identical replacement parts. This will ensure that the safety of the power tool is maintained.
47. Follow instruction for lubricating and changing accessories.
48. Keep handles dry, clean and free from oil and grease.
49. Check to make sure that the voltage and frequency of the power supply correspond to the specifications given on the identification plate. We recommend the use of a residual-current-operated circuit breaker (ground-fault circuit interrupter) with a tripping current of 30 mA or less, or an earth leakage current protector.
50. This machine can be used by children aged from 8 years and above and persons with reduced physical, sensory or mental capabilities or lack of experience and knowledge if they have been given supervision or instruction concerning use of the machine in a safe way and understand the hazards involved. Cleaning and user maintenance shall not be made by children without supervision.

Residual risks

Even if you are operating this product in accordance with all the safety requirements, potential risks of injury and damage remain. The following dangers can arise in connection with the structure and design of this product.

1. Health defects resulting from vibration emission if the product is being used over long periods of time or not adequately managed and properly maintained.
2. Injuries and damage to property due to broken application tools or the sudden impact of hidden objects during use.
3. Danger of injury and property damage caused by flying objects.

⚠ WARNING: This product produces an electromagnetic field during operation. This field may under some circumstances interfere with active or passive medical implants. To reduce the risk of serious or fatal injury, we recommend persons with medical implants to consult their doctor and the medical implant manufacturer before operating this product.

SAVE THESE INSTRUCTIONS.

⚠ WARNING: DO NOT let comfort or familiarity with product (gained from repeated use) replace strict adherence to safety rules for the subject product.

MISUSE or failure to follow the safety rules stated in this instruction manual may cause serious personal injury.

ASSEMBLY

⚠ CAUTION: Always be sure that the tool is switched off and unplugged before carrying out any work on the tool.

Assembling the handle

1. Unload the upper handle from the main unit of the machine.
▶ Fig.1: 1. Upper handle
2. Loosen the thumb nuts.
▶ Fig.2: 1. Thumb nut
3. Widen the handle outside a little, and then raise the handle.
▶ Fig.3: 1. Handle
4. Adjust the handle height by aligning the arrow with the mark.
▶ Fig.4: 1. Thumb nut 2. Mark 3. Arrow
5. Tighten the thumb nuts.
▶ Fig.5: 1. Thumb nut
6. Attach the upper handle by inserting the levers from the outside of the handle, and then tighten the nuts with the wrench to secure the handle.
▶ Fig.6: 1. Lever 2. Nut
7. Secure the cords with the clamps as shown in the figure.
▶ Fig.7: 1. Clamp

Installing the grass basket

1. Attach the pipes of the grass basket to the frame.
▶ Fig.8: 1. Pipe 2. Frame
2. Open the rear cover.
▶ Fig.9: 1. Rear cover
3. Hook the grass basket onto the rear side of the machine.
▶ Fig.10

To remove the grass basket, perform the installation procedure in reverse.

Connecting extension cord

⚠ WARNING: When connecting the extension cord to the power plug of the machine, make sure that the switch lever is released and the cord is unplugged from the power supply.

⚠ WARNING: Do not connect or disconnect the extension cord with wet hands.

NOTICE: When connecting the extension cord to the power plug of the machine, be sure to insert it fully into the socket.

When connecting the extension cord, hook it over the hook on the handle as shown in the figure to prevent inadvertent unplugging by excessive strain on the plug.

- ▶ Fig.11: 1. Hook 2. Extension cord

FUNCTIONAL DESCRIPTION

Adjusting the mowing height

⚠ WARNING: Before adjusting the mowing height, unplug the extension cord from the power supply, and check that the blades have come to a complete halt.

⚠ WARNING: Never put your hand or leg under the mower body when adjusting the mowing height.

You can adjust the mowing height in the range of 20 mm to 55 mm (for ELM3320/ELM3720) or 20 mm to 75 mm (for ELM4120). The mowing height can be adjusted in 3 levels (for ELM3320/ELM3720) or 7 levels (for ELM4120).

For ELM3320/ELM3720

► Fig.12: 1. Adjusting lever

For ELM4120

► Fig.13: 1. Adjusting lever

Hold the handle with one hand, and then move the adjusting lever with the other hand.

► Fig.14: 1. Adjusting lever

NOTE: Try a test mowing of grass in a less conspicuous place to get your desired height.

Switch action

⚠ WARNING: Before plugging in the tool, always check that the switch lever actuates properly and returns to the "OFF" position when released.

⚠ WARNING: For your safety, this machine is equipped with the lock-off button which prevents the tool from unintended starting. Never use the machine if it starts when you pull the switch lever without pressing the lock-off button. Ask your local Makita Service Center for repairs.

⚠ WARNING: Never disable the lock function or tape down the lock-off button.

NOTICE: Do not pull the switch lever forcibly without pressing the lock-off button. The switch may break.

To start the machine, press the lock-off button, and then squeeze in the switch lever. To stop the machine, release the switch lever.

► Fig.15: 1. Switch lever 2. Lock-off button

Level indicator of grass basket

The level indicator of the grass basket opens during mowing if the grass basket is not full. If the grass basket is full, the level indicator closes during mowing. If it's full, empty the grass basket before starting mowing.

► Fig.16: 1. Level indicator

► Fig.17: 1. Level indicator

Adjusting the handle height

The handle height can be adjusted in three levels. Loosen the thumb nuts while holding the handle, then adjust the handle height by aligning the arrow with one of the marks, and then tighten the thumb nuts.

► Fig.18: 1. Thumb nut 2. Mark 3. Arrow

Motor protection system (Over current relay)

⚠ WARNING: If the machine suddenly stops while operating it, release the switch lever and unplug the extension cord. Otherwise, the machine may suddenly restart and cause an injury.

⚠ CAUTION: Before removing an object that is jamming the blade, be sure to wear gloves and unplug the extension cord from the power socket.

If the cut off grass or dirt is jamming inside of the main body, the machine stops automatically to protect the motor (over current relay). In this case, unplug the extension cord from the power socket, then remove the material causing the jam, and then let the machine cool down for a few minutes before turning on the machine.

NOTE: The over current relay may be activated when wet or long grass gets caught up inside of the main body.

OPERATION

Mowing

⚠ WARNING: Before mowing, clear away sticks and stones from the mowing area. Furthermore, clear away any weeds from the mowing area in advance.

► Fig.19

⚠ WARNING: Always wear the safety goggles or safety glasses with side shields when operating the mower.

⚠ CAUTION: If the cut grass or foreign object blocks up inside of the mower body, be sure to turn the power off, and then unplug the extension cord from the power socket. Before removing the grass or foreign object, be sure to wear gloves.

CAUTION: Be sure to install the grass basket when operating the machine.

NOTICE: Use this machine for mowing lawn only. Do not mow weeds with this machine.

Firmly hold the handle with both hands when mowing.
► Fig.20

The mowing speed guideline is approximately one meter per four seconds.

► Fig.21

Start mowing near the power socket to ensure that the extension cord does not become an obstacle.

► Fig.22: 1. Power socket 2. Extension cord

Do not allow the extension cord to pass under or become entangled beneath the machine.

► Fig.23

► Fig.24

The lines on both sides of the main body are guidelines to mowing width. Using the lines as guidelines, mow in strips. Overlap by one half to one third the previous strip to mow the lawn evenly.

► Fig.25: 1. Mowing width 2. Overlapping area 3. Line

Change the mowing direction each time to prevent the grass grain pattern from forming in just one direction.

► Fig.26

Periodically check the grass basket for mowed grass. Empty the basket before it becomes full. Before every periodic check, be sure to stop the machine.

NOTE: Using the mower with the grass basket full prevents smooth blade rotation and places an extra load on the motor, which may cause a breakdown.

Mowing a long-grass lawn

Do not try to cut long grass all at once. Instead, mow the lawn in steps. Leave a day or two between mowings until the lawn becomes evenly short.

► Fig.27

NOTE: Mowing long grass to a short length all at once may cause the grass to die. The cut grass may also block up inside of the mower body.

Edge mowing

When mowing at the edge, be sure to move the machine along the edge.

► Fig.28

MAINTENANCE

WARNING: Before performing the maintenance, unplug the extension cord from the power supply, and confirm that the blades have come to a complete halt.

CAUTION: When performing the maintenance, always wear gloves.

To maintain product SAFETY and RELIABILITY, repairs, any other maintenance or adjustment should be performed by Makita Authorized or Factory Service Centers, always using Makita replacement parts.

Maintenance after mowing

After mowing, wipe the machine with a dry cloth or a cloth dipped in soapy water. Also, use a soft brush to brush off grass cuttings and dirt from blades.

NOTICE: Never use gasoline, benzine, thinner, alcohol or the like. Discoloration, deformation or cracks may result.

Storing

1. Disconnect the extension cord.

► Fig.29: 1. Extension cord

2. Open the rear cover, and then remove the grass basket.

► Fig.30: 1. Rear cover 2. Grass basket

3. Loosen the thumb nuts while holding the handle, then widen the handle outside a little, and then fold the handle.

► Fig.31: 1. Thumb nut 2. Handle 3. Mark 4. Arrow

CAUTION: When folding the handle, be careful not to pinch your hand or fingers.

NOTE: Make sure that the arrow indicates the mark at the most front position.

4. Tighten the thumb nuts.

► Fig.32: 1. Thumb nut

5. Open the levers, and then place the cord over the lever.

► Fig.33: 1. Lever 2. Cord

6. Return the levers to the halfway position as shown in the figure.

► Fig.34: 1. Lever

7. Fold the handle.

► Fig.35: 1. Handle

8. Place the machine as shown in the figure.

► Fig.36

CAUTION: Be sure to store this machine indoors and place it on a flat surface. Otherwise, the machine may fall and cause an injury.

You can also store the machine as follows.

1. Disconnect the extension cord.

► Fig.37: 1. Extension cord

2. Open the rear cover, and then remove the grass basket.

► Fig.38: 1. Rear cover 2. Grass basket

3. Set the mowing height with the adjusting lever.

For ELM3320/ELM3720:

Set the mowing height to "1".

► Fig.39: 1. Adjusting lever

For ELM4120:

Set the mowing height to "2".

► **Fig.40:** 1. Adjusting lever

4. Loosen the thumb nuts while holding the handle, then widen the handle outside a little, and then fold the handle.

► **Fig.41:** 1. Thumb nut 2. Handle 3. Mark 4. Arrow

CAUTION: When folding the handle, be careful not to pinch your hand or fingers.

NOTE: Make sure that the arrow indicates the mark at the most front position.

5. Tighten the thumb nuts.

► **Fig.42:** 1. Thumb nut

6. Place the machine as shown in the figure.

► **Fig.43**

CAUTION: Be sure to store this machine indoors and place it on a flat surface. Otherwise, the machine may fall and cause an injury.

You can also store the machine by folding the handle.

CAUTION: Before opening the levers, hold the upper handle firmly. Otherwise, the handle may fall and cause an injury.

1. Open the levers while holding the upper handle.

► **Fig.44:** 1. Lever

2. Fold the upper handle.

► **Fig.45:** 1. Upper handle

Replacing the mower blade

CAUTION: Do not use any wrench other than the standard hex wrench when replacing the mower blade. Using a different wrench may lead to over-tightening or looseness, which may cause injury.

1. Unplug the extension cord and stand up the machine. (Refer to the instructions for storing.)

2. Insert the pin into the hole, and then hold the handle with one hand and loosen the bolt with the wrench counterclockwise.

► **Fig.46:** 1. Blade 2. Wrench 3. Pin

3. Remove the mower blade.

For ELM3320

Remove the bolt, washer, mower blade, and bracket in order.

► **Fig.47:** 1. Bracket 2. Mower blade 3. Washer 4. Bolt

For ELM3720/ELM4120

Remove the bolt, washer, mower blade, bracket, and spacer in order.

► **Fig.48:** 1. Spacer 2. Bracket 3. Mower blade 4. Washer 5. Bolt

4. Attach a new mower blade, then insert the pin into the hole, and then hold the handle with one hand and tighten the bolt with the wrench clockwise firmly.

► **Fig.49:** 1. Mower blade 2. Wrench 3. Pin

Extension cord

You should only use extension cords for outdoor use, PVC or rubber cord ordinary duty with a cross sectional area not less than 1.5 mm².

Before and during use, check the supply and extension cords for damage. Do not use the appliance if the cord is damaged or worn. Keep extension cord away from cutting elements. If the cord is damaged during use, disconnect the cord from the supply immediately. Do not touch the cord before disconnecting the supply.

OPTIONAL ACCESSORIES

CAUTION: These accessories or attachments are recommended for use with your Makita tool specified in this manual. The use of any other accessories or attachments might present a risk of injury to persons. Only use accessory or attachment for its stated purpose.

If you need any assistance for more details regarding these accessories, ask your local Makita Service Center.

- Mower blade

NOTE: Some items in the list may be included in the tool package as standard accessories. They may differ from country to country.

SPÉCIFICATIONS

Modèle :		ELM3320	ELM3720	ELM4120
Vitesse à vide		3 400 min ⁻¹		
Hauteur de coupe		20 mm - 55 mm		20 mm - 75 mm
Largeur de coupe		330 mm	370 mm	410 mm
Numéro de référence de la lame de tondeuse de remplacement		YA00000731	YA00000732	YA00000733
Dimensions (L x l x H)	En fonctionnement (avec le bac à herbe)	L : 1 040 mm à 1 230 mm l : 380 mm H : 870 mm à 1 110 mm	L : 1 140 mm à 1 330 mm l : 415 mm H : 890 mm à 1 120 mm	L : 1 255 mm à 1 470 mm l : 460 mm H : 955 mm à 1 230 mm
	Pendant le stockage (sans le bac à herbe)	350 mm x 380 mm x 1 090 mm	335 mm x 415 mm x 1 090 mm	395 mm x 460 mm x 1 220 mm
Poids net		10,2 kg	11,6 kg	14,5 kg
Catégorie de sécurité		□/II		

- Étant donné l'évolution constante de notre programme de recherche et de développement, les spécifications contenues dans ce manuel sont sujettes à modification sans préavis.
- Les spécifications peuvent varier suivant les pays.
- Le poids peut être différent selon les accessoires. Les associations la plus légère et la plus lourde, conformément à la procédure EPTA 01/2014, sont indiquées dans le tableau.

Symboles

Vous trouverez ci-dessous les symboles utilisés pour l'appareil. Veillez à comprendre leur signification avant toute utilisation.



Veillez être prudent et rester attentif. Lire le mode d'emploi.



DOUBLE ISOLATION



Danger ; prendre garde aux projections d'objets. La distance entre l'outil et les personnes présentes doit être d'au moins 15 m.



Attendez que tous les composants de la machine soient totalement arrêtés avant de les toucher.



Gardez le cordon d'alimentation souple à l'écart des lames de coupe.



Méfiez-vous des lames tranchantes. Les lames continuent de tourner une fois le moteur coupé. Débranchez le connecteur de la machine avant tout entretien ou si le cordon est endommagé.



Le niveau sonore de la machine ne dépasse pas les 96 dB.



Éloignez vos mains et vos pieds. N'utilisez la tondeuse que si les carters de protection et les accessoires sont bien en place.



Uniquement pour les pays de l'Union européenne

Ne pas jeter les appareils électriques avec les ordures ménagères ! Conformément à la directive européenne relative aux déchets d'équipements électriques et électroniques ainsi qu'à son application en conformité avec les lois nationales, les appareils électriques qui ont atteint la fin de leur durée de service doivent être collectés séparément et renvoyés à un établissement de recyclage respectueux de l'environnement.

Utilisations

La machine est conçue pour tondre la pelouse. N'utilisez pas la machine à d'autres fins. L'utilisation de la machine pour des opérations autres que l'utilisation prévue pourrait entraîner une situation dangereuse.

Alimentation

L'outil ne devra être raccordé qu'à une alimentation de la même tension que celle qui figure sur la plaque signalétique, et il ne pourra fonctionner que sur un courant secteur monophasé. Réalisé avec une double isolation, il peut de ce fait être alimenté par une prise sans mise à la terre.

Si le cordon d'alimentation est endommagé, il doit être remplacé par le fabricant ou son prestataire de service afin d'éviter tout danger.

Pour les systèmes de distribution publics à basse tension, entre 220 V et 250 V

La mise sous tension et hors tension des appareils électriques provoque des fluctuations de tension. L'utilisation de cet appareil dans des conditions d'alimentation électrique inadéquates peut avoir des effets néfastes sur le fonctionnement des autres équipements. Toutefois, il ne devrait pas y avoir d'effets négatifs si l'impédance de l'alimentation est égale ou inférieure à 0,425 ohm (pour le ELM3720) ou 0,427 ohm (pour le ELM4120). La prise de courant utilisée pour cet appareil doit être protégée par un fusible ou un disjoncteur de protection à déclenchement lent.

Bruit

Norme applicable : EN60335

Modèle	Niveau de pression acoustique		Niveau de puissance sonore	
	L _{PA} (dB(A))	Incertitude K (dB(A))	L _{PA} (dB(A))	Incertitude K (dB(A))
ELM3320	83	3	94	2
ELM3720	83	3	94	1
ELM4120	84	3	93	2

NOTE : La ou les valeurs d'émission de bruit déclarées ont été mesurées conformément à la méthode de test standard et peuvent être utilisées pour comparer les outils entre eux.

NOTE : La ou les valeurs d'émission de bruit déclarées peuvent aussi être utilisées pour l'évaluation préliminaire de l'exposition.

⚠ AVERTISSEMENT : Portez un serre-tête antibruit.

⚠ AVERTISSEMENT : L'émission de bruit lors de l'usage réel de l'outil électrique peut être différente de la ou des valeurs déclarées, suivant la façon dont l'outil est utilisé, particulièrement selon le type de pièce usinée.

⚠ AVERTISSEMENT : Les mesures de sécurité à prendre pour protéger l'utilisateur doivent être basées sur une estimation de l'exposition dans des conditions réelles d'utilisation (en tenant compte de toutes les composantes du cycle d'utilisation, comme par exemple le moment de sa mise hors tension, lorsqu'il tourne à vide et le moment de son déclenchement).

Vibrations

Valeur totale de vibrations (somme de vecteur triaxial) déterminée selon EN60335 :

Modèle ELM3320

Émission de vibrations (a_n) : 2,5 m/s² ou moins
Incertitude (K) : 1,5 m/s²

Modèle ELM3720

Émission de vibrations (a_n) : 2,5 m/s² ou moins
Incertitude (K) : 1,5 m/s²

Modèle ELM4120

Émission de vibrations (a_n) : 2,5 m/s² ou moins
Incertitude (K) : 1,5 m/s²

NOTE : La ou les valeurs de vibration totales déclarées ont été mesurées conformément à la méthode de test standard et peuvent être utilisées pour comparer les outils entre eux.

NOTE : La ou les valeurs de vibration totales déclarées peuvent aussi être utilisées pour l'évaluation préliminaire de l'exposition.

⚠ AVERTISSEMENT : L'émission de vibrations lors de l'usage réel de l'outil électrique peut être différente de la ou des valeurs déclarées, suivant la façon dont l'outil est utilisé, particulièrement selon le type de pièce usinée.

⚠ AVERTISSEMENT : Les mesures de sécurité à prendre pour protéger l'utilisateur doivent être basées sur une estimation de l'exposition dans des conditions réelles d'utilisation (en tenant compte de toutes les composantes du cycle d'utilisation, comme par exemple le moment de sa mise hors tension, lorsqu'il tourne à vide et le moment de son déclenchement).

Déclaration de conformité CE

Pour les pays européens uniquement

La déclaration de conformité CE est fournie en Annexe A à ce mode d'emploi.

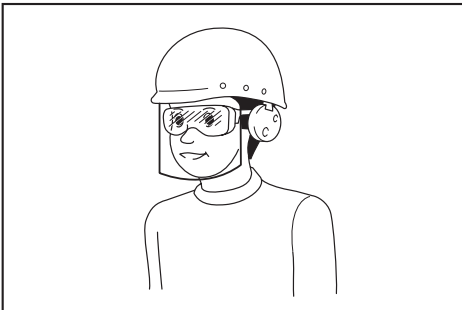
CONSIGNES DE SÉCURITÉ

CONSIGNES DE SÉCURITÉ IMPORTANTES

⚠️ AVERTISSEMENT : Lisez toutes les consignes de sécurité et toutes les instructions. Il y a risque d'électrocution, d'incendie et/ou de graves blessures si les mises en garde et les instructions ne sont pas respectées.

Conservez toutes les mises en garde et instructions pour référence ultérieure.

1. Les enfants doivent être sous la surveillance d'un adulte afin de s'assurer qu'ils ne jouent pas avec la tondeuse.
2. Ne laissez jamais les enfants ou les personnes qui ne sont pas familiarisées avec ces instructions utiliser la tondeuse. Les réglementations locales peuvent spécifier un âge minimum pour l'utilisation.
3. N'utilisez jamais la tondeuse alors que des personnes — et tout particulièrement des enfants — ou des animaux domestiques se trouvent à proximité.
4. Gardez à l'esprit que l'opérateur ou l'utilisateur est responsable des accidents ou risques encourus par les personnes ou leur propriété.
5. Pendant l'utilisation de la tondeuse, portez toujours des chaussures résistantes et un pantalon long. N'utilisez pas la tondeuse pieds nus ou avec des sandales qui laissent les pieds partiellement découverts. Évitez de porter des vêtements et bijoux amples ou dotés de cordons ou attaches qui pendent. Les pièces mobiles risqueraient de les happer.
6. Pour protéger vos yeux des blessures lorsque vous utilisez un outil électrique, portez toujours des lunettes de protection, lesquelles doivent être conformes à ANSI Z87.1 aux États-Unis, EN 166 en Europe ou AS/NZS 1336 en Australie/Nouvelle-Zélande. En Australie/Nouvelle-Zélande, la loi exige également le port d'un écran facial pour se protéger le visage.



L'employeur est responsable d'imposer le port d'équipements de sécurité appropriés par les utilisateurs de l'outil et par les autres personnes se trouvant à proximité de la zone de travail.

7. Avant utilisation, vérifiez que le cordon d'alimentation ne présente pas de signes d'endommagement ou d'usure. Si le cordon est endommagé pendant l'utilisation, débranchez-le immédiatement du secteur. Ne touchez pas le cordon avant qu'il soit déconnecté du secteur. N'utilisez pas la tondeuse si le cordon est endommagé ou usé.
8. N'utilisez la tondeuse qu'à la lumière du jour ou sous un bon éclairage artificiel.
9. Évitez d'utiliser la tondeuse sur de l'herbe mouillée.
10. N'utilisez jamais la tondeuse sous la pluie.
11. Tenez toujours la poignée fermement.
12. Assurez-vous toujours d'être en position stable dans les pentes.
13. Ne courez jamais ; marchez.
14. Ne saisissez pas les lames de coupe exposées ou les bords tranchants pour soulever ou tenir la tondeuse.
15. Condition physique - N'utilisez pas la tondeuse après avoir consommé une drogue, de l'alcool ou un médicament.
16. Gardez mains et pieds à l'écart des lames en rotation. Attention - Les lames continuent de tourner une fois la tondeuse éteinte.
17. Utilisez exclusivement les lames authentiques du fabricant spécifiées dans ce mode d'emploi.
18. Vérifiez soigneusement l'absence de fissures ou de dommages sur les lames avant l'utilisation. Remplacez immédiatement les lames fissurées ou abîmées.
19. Assurez-vous qu'il n'y a personne à proximité avant de commencer à tondre. Arrêtez la tondeuse si quelqu'un s'approche.
20. Pour éviter de vous blesser ou d'abîmer la tondeuse, enlevez les corps étrangers tels que pierres, câbles, bouteilles, os et gros bouts de bois de la zone de travail avant de commencer à tondre.
21. Cessez immédiatement l'utilisation si vous remarquez quoi que ce soit d'inhabituel. Coupez le contact de la tondeuse et débranchez le cordon d'alimentation du secteur. Inspectez ensuite la tondeuse.
22. N'essayez jamais de régler la hauteur des roues pendant que la tondeuse tourne.
23. Libérez le levier d'interrupteur et attendez que la lame ait cessé de tourner avant de traverser une allée, un trottoir, une route ou une zone recouverte de gravier. Pensez également à débrancher le cordon d'alimentation du secteur si vous laissez la tondeuse sans surveillance, si vous vous penchez pour ramasser ou enlever un objet qui fait obstacle, ou pour toute autre raison pouvant vous distraire de votre travail.

24. Les objets heurtés par la lame de tondeuse peuvent provoquer de graves blessures. Pensez toujours à inspecter soigneusement le gazon et à retirer tous les objets avant de tondre.
25. Si la tondeuse heurte un corps étranger, procédez comme suit :
 - Arrêtez la tondeuse, libérez le levier d'interrupteur et attendez que la lame ait complètement cessé de tourner.
 - Débranchez le cordon d'alimentation du secteur.
 - Inspectez minutieusement la tondeuse pour vous assurer qu'elle n'a subi aucun dommage.
 - Si la lame est abîmée, remplacez-la. Réparez tout dégât avant de redémarrer et de continuer à utiliser la tondeuse.
26. Inspectez régulièrement le bac à herbe pour vérifier l'absence d'usure ou de détérioration. Avant le rangement, assurez-vous toujours que le bac à herbe est vide. Si le bac à herbe est usé, remplacez-le par un bac de rechange neuf pour votre sécurité.
27. Soyez très prudent lorsque vous faites reculer la tondeuse ou la tirez vers vous.
28. Immobilisez la ou les lames si vous devez incliner la tondeuse pour la transporter en traversant une surface autre que du gazon, et lorsque vous transportez la tondeuse vers ou hors de la zone d'utilisation.
29. N'utilisez jamais la tondeuse si ses carters ou écrans de protection ne fonctionnent pas, ou si ses dispositifs de sécurité (tels que les déflecteurs et/ou le bac à herbe) ne sont pas posés.
30. Démarrez la tondeuse prudemment, en suivant les instructions et en gardant les pieds bien à l'écart de la ou des lames.
31. N'inclinez pas la tondeuse en allumant le moteur, sauf si la tondeuse doit être inclinée pour le démarrage. Le cas échéant, ne l'inclinez pas plus que nécessaire et ne soulevez que la partie opposée à vous. Avant de ramener l'appareil au sol, veillez à ce que vos deux mains soient toujours en position d'utilisation.
32. Ne vous tenez pas devant l'ouverture de décharge pour démarrer la tondeuse.
33. Ne mettez pas les mains ou les pieds près des pièces en rotation, ou sous celles-ci. Restez en tout temps à l'écart de l'ouverture de décharge.
34. Ne transportez pas la tondeuse pendant qu'elle tourne.
35. Arrêtez la tondeuse et retirez le connecteur de la prise. Assurez-vous que toutes les pièces mobiles sont parfaitement arrêtées
 - chaque fois que vous laissez la tondeuse sans surveillance,
 - avant de retirer un objet bloqué ou de déboucher la goulotte,
 - avant d'effectuer la vérification, le nettoyage ou l'entretien de la tondeuse,
 - après avoir heurté un corps étranger. Avant de redémarrer et d'utiliser la tondeuse, vérifiez l'absence de dommages et effectuez les réparations nécessaires.
36. Si la tondeuse se met à vibrer anormalement (vérifiez immédiatement)
 - inspectez les dommages,
 - remplacez ou réparez les pièces endommagées,
 - vérifiez et resserrez les pièces mal serrées.
37. Lorsque vous réglez la tondeuse, évitez de vous coincer les doigts entre les lames en mouvement et les pièces fixes de la tondeuse.
38. Tondez toujours les pentes latéralement, jamais de haut en bas ou vice-versa. Soyez très prudent lorsque vous changez de direction dans les pentes. Ne tondez pas dans les pentes trop abruptes.
39. Ne nettoyez pas la tondeuse avec un tuyau d'arrosage ; évitez de mouiller le moteur et les connexions électriques.
40. Vérifiez régulièrement le boulon de montage de la lame pour vous assurer qu'il est bien serré.
41. Gardez tous les écrous, boulons et vis bien serrés pour garantir le fonctionnement sûr de l'équipement.
42. Soyez prudent car la rotation d'une lame peut provoquer la rotation d'autres lames.
43. Laissez toujours refroidir la tondeuse avant de la ranger.
44. Lors de l'entretien des lames, gardez à l'esprit qu'elles peuvent tourner même si la source d'alimentation est coupée.
45. Pour votre propre sécurité, remplacez les pièces usées ou endommagées. Utilisez exclusivement des pièces de rechange et accessoires authentiques.
46. Faites réparer votre outil électrique par un réparateur qualifié uniquement en utilisant des pièces de rechange identiques. La sécurité de l'outil électrique sera ainsi maintenue.
47. Suivez les instructions relatives à la lubrification et au changement des accessoires.
48. Gardez les poignées sèches, propres et exemptes d'huile et de graisse.
49. Assurez-vous que la tension et la fréquence de l'alimentation correspondent aux spécifications qui figurent sur la plaque d'identification. Nous recommandons l'utilisation d'un disjoncteur différentiel résiduel (disjoncteur de fuite de terre) au courant de déclenchement de 30 mA ou moins, ou un protecteur de courant de fuite à la terre.
50. Cette machine peut être utilisée par des enfants de 8 ans et plus, ainsi que par des personnes aux facultés physiques, sensorielles ou mentales diminuées ou sans expérience ni expertise sous la surveillance d'un adulte ou s'ils ont reçu des instructions concernant l'utilisation en toute sécurité de la machine et s'ils comprennent les risques encourus. Le nettoyage et l'entretien à la charge de l'utilisateur ne doivent pas être réalisés par des enfants sans surveillance.

Risques résiduels

Même si vous utilisez ce produit en respectant toutes les exigences de sécurité, des risques potentiels de dommages corporels ou matériels demeurent. Les dangers suivants peuvent découler de la structure et de la conception de ce produit.

1. Des problèmes médicaux dus aux vibrations si le produit est utilisé pendant des périodes prolongées ou s'il est incorrectement manipulé et entretenu.
2. Dommages corporels et matériels suite à des outils cassés ou à l'impact soudain d'objets cachés pendant l'utilisation.
3. Risque de dommages corporels et matériels provoqués par la projection d'objets.

⚠AVERTISSEMENT : Ce produit émet un champ électromagnétique pendant son fonctionnement. Ce champ peut dans certaines circonstances perturber les implants médicaux actifs ou passifs. Pour réduire le risque de blessures graves, voire mortelles, nous recommandons aux personnes porteuses d'un implant médical de consulter leur médecin et le fabricant de l'implant médical avant d'utiliser ce produit.

CONSERVEZ CES INSTRUCTIONS.

⚠AVERTISSEMENT : NE vous laissez PAS tromper (au fil d'une utilisation répétée) par un sentiment d'aisance et de familiarité avec le produit, en négligeant le respect rigoureux des consignes de sécurité qui accompagnent le produit en question.

La MAUVAISE UTILISATION de l'outil ou l'ignorance des consignes de sécurité indiquées dans ce mode d'emploi peut entraîner de graves blessures.

ASSEMBLAGE

⚠ATTENTION : Avant d'effectuer toute intervention sur l'outil, assurez-vous toujours qu'il est hors tension et débranché.

Montage de la poignée

1. Désassemblez la poignée supérieure de l'unité principale de la machine.
▶ Fig.1: 1. Poignée supérieure
2. Desserrez les écrous à moletés.
▶ Fig.2: 1. Écrou à moletés
3. Repoussez la poignée légèrement vers l'extérieur, puis soulevez-la.
▶ Fig.3: 1. Poignée
4. Réglez la hauteur de la poignée en alignant la flèche sur la marque.
▶ Fig.4: 1. Écrou à moletés 2. Marque 3. Flèche

5. Serrez les écrous à moletés.

▶ Fig.5: 1. Écrou à moletés

6. Posez la poignée supérieure en insérant les leviers à partir de l'extérieur de la poignée, puis serrez les écrous à l'aide de la clé pour fixer la poignée.

▶ Fig.6: 1. Levier 2. Écrou

7. Fixez les cordons avec les attaches, comme l'illustre la figure.

▶ Fig.7: 1. Attache

Pose du bac à herbe

1. Fixez les tuyaux du bac à herbe au cadre.

▶ Fig.8: 1. Tuyau 2. Cadre

2. Ouvrez le couvercle arrière.

▶ Fig.9: 1. Couvercle arrière

3. Accrochez le bac à herbe à la partie arrière de la machine.

▶ Fig.10

Pour retirer le bac à herbe, exécutez la procédure de pose en sens inverse.

Connexion de la rallonge

⚠AVERTISSEMENT : Lorsque vous raccordez la rallonge au connecteur électrique de la machine, vérifiez que le levier d'interrupteur est libéré et que le cordon est débranché du secteur.

⚠AVERTISSEMENT : Abstenez-vous de brancher ou de débrancher la rallonge avec des mains humides.

REMARQUE : Lorsque vous raccordez la rallonge au connecteur électrique de la machine, insérez-le totalement dans la prise.

Lorsque vous raccordez la rallonge, accrochez-la au crochet de la poignée comme l'illustre la figure, afin d'éviter un débranchement intempestif dû à une contrainte excessive sur le connecteur.

▶ Fig.11: 1. Crochet 2. Rallonge

DESCRIPTION DU FONCTIONNEMENT

Réglage de la hauteur de tonte

⚠ AVERTISSEMENT : Avant de régler la hauteur de tonte, débranchez la rallonge du secteur, et vérifiez que les lames sont complètement arrêtées.

⚠ AVERTISSEMENT : Ne mettez jamais une main ou une jambe sous la tondeuse pendant que vous réglez la hauteur de tonte.

Vous pouvez régler la hauteur de tonte dans une fourchette de 20 mm à 55 mm (pour ELM3320/ELM3720) ou de 20 mm à 75 mm (pour ELM4120). La hauteur de tonte peut être réglée selon 3 niveaux (pour ELM3320/ELM3720) ou selon 7 niveaux (pour ELM4120).

Pour ELM3320/ELM3720

► Fig.12: 1. Levier de réglage

Pour ELM4120

► Fig.13: 1. Levier de réglage

Tenez la poignée d'une main, puis déplacez le levier de réglage de l'autre.

► Fig.14: 1. Levier de réglage

NOTE : Faites un essai de tonte en un point peu visible pour vérifier si vous obtenez la hauteur de tonte désirée.

Fonctionnement de la gâchette

⚠ AVERTISSEMENT : Avant de brancher l'outil, vérifiez toujours que le levier d'interrupteur fonctionne correctement et revient en position d'arrêt une fois libéré.

⚠ AVERTISSEMENT : Pour votre sécurité, cette machine est équipée d'un bouton de sécurité qui empêche l'outil de démarrer accidentellement. N'utilisez jamais la machine si elle démarre lorsque vous tirez le levier d'interrupteur sans appuyer sur le bouton de sécurité. Demandez à votre centre de service Makita local d'effectuer la réparation.

⚠ AVERTISSEMENT : Ne désactivez jamais la fonction de verrouillage et ne scotchez pas le bouton de sécurité.

REMARQUE : Ne tirez pas sur le levier d'interrupteur en forçant sans appuyer sur le bouton de sécurité. L'interrupteur pourrait casser.

Pour démarrer la machine, appuyez sur le bouton de sécurité, puis actionnez le levier d'interrupteur. Pour arrêter la machine, libérez le levier d'interrupteur.

► Fig.15: 1. Levier d'interrupteur 2. Bouton de sécurité

Indicateur de niveau du bac à herbe

L'indicateur de niveau du bac à herbe s'ouvre pendant la tonte s'il n'est pas plein. Si le bac à herbe est plein, l'indicateur de niveau se ferme pendant la tonte. S'il est plein, videz le bac à herbe avant de démarrer la tonte.

► Fig.16: 1. Indicateur de niveau

► Fig.17: 1. Indicateur de niveau

Réglage de la hauteur de la poignée

La hauteur de la poignée peut être réglée selon trois niveaux. Desserrez les écrous à moletés tout en tenant la poignée, puis réglez la hauteur de la poignée en alignant la flèche à l'une des marques, puis serrez les écrous à moletés.

► Fig.18: 1. Écrou à moletés 2. Marque 3. Flèche

Système de protection du moteur (relais de surcharge)

⚠ AVERTISSEMENT : Si la machine s'arrête subitement, libérez le levier d'interrupteur et débranchez la rallonge. Sinon, la machine pourrait redémarrer soudainement et provoquer une blessure.

⚠ ATTENTION : Avant de retirer un objet coincé dans la lame, veillez à porter des gants et à débrancher la rallonge de la prise de courant.

Si de l'herbe coupée ou de la saleté se bloque à l'intérieur du corps principal, la machine s'arrête automatiquement pour protéger le moteur (relais de surcharge). Dans ce cas, débranchez la rallonge de la prise de courant, retirez le matériau qui provoque le blocage, puis laissez la machine refroidir quelques minutes avant de la mettre sous tension.

NOTE : Le relais de surcharge peut être activé lorsque de l'herbe humide ou longue est happée par le corps principal.

UTILISATION

Tonte

⚠ AVERTISSEMENT : Avant de commencer à tondre, enlevez les bouts de bois et les cailloux de la zone à tondre. Enlevez également les mauvaises herbes au préalable de la zone à tondre.

► Fig.19

⚠ AVERTISSEMENT : Lorsque vous utilisez la tondeuse, portez toujours des lunettes de sécurité ou lunettes à coques à écrans latéraux.

⚠ ATTENTION : Si de l'herbe coupée ou un objet étranger se coince dans le corps de la tondeuse, veillez à mettre la machine hors tension, puis débranchez la rallonge de la prise de courant. Avant de retirer l'herbe ou le corps étranger, pensez à porter des gants.

ATTENTION : Veillez à installer le bac à herbe lorsque vous utilisez la machine.

REMARQUE : Utilisez cette machine exclusivement pour tondre la pelouse. N'utilisez pas cette machine pour couper des mauvaises herbes.

Pendant la tonte, tenez fermement la poignée à deux mains.

► Fig.20

La vitesse de tonte indicative est d'environ un mètre toutes les quatre secondes.

► Fig.21

Commencez à tondre à proximité de la prise de courant pour éviter que la rallonge ne devienne un obstacle.

► Fig.22: 1. Prise de courant 2. Rallonge

Veillez à ce que la rallonge ne glisse pas ou ne s'emboîte pas sous la machine.

► Fig.23

► Fig.24

Les lignes situées de chaque côté du corps principal sont des indications de la largeur de la tonte. En utilisant les lignes à titre indicatif, tondez en bandes. Chevauchez la bande précédente de la moitié à un tiers, afin de tondre la pelouse uniformément.

► Fig.25: 1. Largeur de tonte 2. Surface de chevauchement 3. Ligne

Changez chaque fois le sens de la tonte pour éviter que le motif de l'herbe ne se forme que dans un sens.

► Fig.26

Vérifiez régulièrement l'herbe tondue dans le bac à herbe. Videz le bac avant qu'il ne soit plein. Avant chaque vérification périodique, veillez à arrêter la machine.

NOTE : Si vous continuez d'utiliser la tondeuse alors que le bac à herbe est plein, la lame ne pourra pas tourner librement et le moteur sera surchargé, ce qui comporte un risque de panne.

Tonte d'un gazon à herbe haute

N'essayez pas de couper l'herbe haute en une fois. Tondez plutôt la pelouse par étapes. Espacez les tontes d'un jour ou deux, jusqu'à ce que le gazon soit uniformément court.

► Fig.27

NOTE : L'herbe haute risque de s'étioiler si vous la coupez très court d'un seul coup. L'herbe coupée peut également bloquer le mécanisme interne de la tondeuse.

Tonte des bords

Lorsque vous tondez sur un bord, veillez à déplacer la machine le long de ce bord.

► Fig.28

ENTRETIEN

AVERTISSEMENT : Avant d'effectuer l'entretien, débranchez la rallonge du secteur, et vérifiez que les lames sont complètement arrêtées.

ATTENTION : Lorsque vous effectuez l'entretien, portez toujours des gants.

Pour assurer la SÉCURITÉ et la FIABILITÉ du produit, toute réparation, tout travail d'entretien ou de réglage doivent être effectués par un centre d'entretien Makita agréé, avec des pièces de rechange Makita.

Entretien après la tonte

Après la tonte, essuyez la machine avec un chiffon sec ou humecté d'eau savonneuse. De plus, utilisez une brosse douce pour éliminer les résidus d'herbe et la saleté des lames.

REMARQUE : N'utilisez jamais d'essence, benzine, diluant, alcool ou autre produit similaire. Cela risquerait de provoquer la décoloration, la déformation ou la fissuration de l'outil.

Stockage

1. Déconnectez la rallonge.

► Fig.29: 1. Rallonge

2. Ouvrez le couvercle arrière, puis retirez le bac à herbe.

► Fig.30: 1. Couvercle arrière 2. Bac à herbe

3. Desserrez les écrous moletés tout en tenant la poignée, puis repoussez la poignée légèrement vers l'extérieur et ensuite pliez-la.

► Fig.31: 1. Écrou à moletés 2. Poignée 3. Marque 4. Flèche

ATTENTION : Lorsque vous pliez la poignée, veillez à ne pas vous pincer la main ou les doigts.

NOTE : Veillez à ce que la flèche indique la marque située la plus en avant.

4. Serrez les écrous à moletés.

► Fig.32: 1. Écrou à moletés

5. Ouvrez les leviers, puis placez le cordon par dessus le levier.

► Fig.33: 1. Levier 2. Cordon

6. Ramenez les leviers à la position intermédiaire comme illustré sur la figure.

► Fig.34: 1. Levier

7. Pliez la poignée.

► Fig.35: 1. Poignée

8. Placez la machine comme l'illustre la figure.

► Fig.36

ATTENTION : Veillez à ranger la machine à l'intérieur et à la placer sur une surface plane. Sinon, la machine pourrait tomber et provoquer une blessure.

Vous pouvez également stocker la machine comme suit.

1. Déconnectez la rallonge.

► **Fig.37:** 1. Rallonge

2. Ouvrez le couvercle arrière, puis retirez le bac à herbe.

► **Fig.38:** 1. Couvercle arrière 2. Bac à herbe

3. Réglez la hauteur de tonte à l'aide du levier de réglage.

Pour ELM3320/ELM3720 :

Réglez la hauteur de tonte à « 1 ».

► **Fig.39:** 1. Levier de réglage

Pour ELM4120 :

Réglez la hauteur de tonte à « 2 ».

► **Fig.40:** 1. Levier de réglage

4. Desserrez les écrous moletés tout en tenant la poignée, puis repoussez la poignée légèrement vers l'extérieur et ensuite pliez-la.

► **Fig.41:** 1. Écrou à moletés 2. Poignée 3. Marque 4. Flèche

⚠ ATTENTION : Lorsque vous pliez la poignée, veillez à ne pas vous pincer la main ou les doigts.

NOTE : Veillez à ce que la flèche indique la marque située la plus en avant.

5. Serrez les écrous à moletés.

► **Fig.42:** 1. Écrou à moletés

6. Placez la machine comme l'illustre la figure.

► **Fig.43**

⚠ ATTENTION : Veillez à ranger la machine à l'intérieur et à la placer sur une surface plane. Sinon, la machine pourrait tomber et provoquer une blessure.

Vous pouvez également stocker la machine en pliant la poignée.

⚠ ATTENTION : Avant d'ouvrir les leviers, tenez fermement la poignée supérieure. Sinon, la poignée pourrait tomber et provoquer une blessure.

1. Ouvrez les leviers tout en tenant la poignée supérieure.

► **Fig.44:** 1. Levier

2. Pliez la poignée supérieure.

► **Fig.45:** 1. Poignée supérieure

Remplacement de la lame de la tondeuse

⚠ ATTENTION : N'utilisez pas d'autres clés qu'une clé hexagonale standard lorsque vous remplacez la lame de la tondeuse. L'utilisation d'une autre clé peut provoquer un serrage excessif, ce qui peut entraîner une blessure.

1. Débranchez la rallonge et redressez la machine. (Reportez-vous aux instructions de stockage.)

2. Insérez la broche dans le trou, puis tenez la poignée d'une main et desserrez le boulon dans le sens inverse des aiguilles d'une montre à l'aide de la clé.

► **Fig.46:** 1. Lame 2. Clé 3. Broche

3. Retirez la lame de tondeuse.

Pour ELM3320

Retirez le boulon, la rondelle, la lame de tondeuse et le support dans cet ordre.

► **Fig.47:** 1. Support 2. Lame de tondeuse 3. Rondelle 4. Boulon

Pour ELM3720/ELM4120

Retirez le boulon, la rondelle, la lame de tondeuse, le support et l'entretoise dans cet ordre.

► **Fig.48:** 1. Entretoise 2. Support 3. Lame de tondeuse 4. Rondelle 5. Boulon

4. Fixez une nouvelle lame de tondeuse, insérez la broche dans le trou, puis tenez la poignée d'une main et serrez fermement le boulon dans le sens des aiguilles d'une montre à l'aide de la clé.

► **Fig.49:** 1. Lame de tondeuse 2. Clé 3. Broche

Rallonge

Vous devez utiliser uniquement des rallonges destinées à un usage extérieur et ordinaire, en PVC ou en caoutchouc, dont la section transversale ne doit pas être inférieure à 1,5 mm².

Avant et pendant l'utilisation, vérifiez que le cordon d'alimentation et la rallonge ne sont pas endommagés.

N'utilisez pas l'appareil si le cordon est endommagé ou usé. Gardez la rallonge à l'écart des éléments coupants. Si le cordon est endommagé pendant l'utilisation, débranchez-le immédiatement du secteur. Ne touchez pas le cordon avant qu'il soit déconnecté du secteur.

ACCESSOIRES EN OPTION

⚠ ATTENTION : Ces accessoires ou pièces complémentaires sont recommandés pour l'utilisation avec l'outil Makita spécifié dans ce mode d'emploi. L'utilisation de tout autre accessoire ou pièce complémentaire peut comporter un risque de blessure. N'utilisez les accessoires ou pièces complémentaires qu'aux fins auxquelles ils ont été conçus.

Pour obtenir plus de détails sur ces accessoires, contactez votre centre d'entretien local Makita.

- Lame de tondeuse

NOTE : Il se peut que certains éléments de la liste soient compris dans l'emballage de l'outil en tant qu'accessoires standard. Ils peuvent varier d'un pays à l'autre.

TECHNISCHE DATEN

Modell:		ELM3320	ELM3720	ELM4120
Leerlaufdrehzahl		3.400 min ⁻¹		
Schnitthöhe		20 mm - 55 mm		20 mm - 75 mm
Schnittbreite		330 mm	370 mm	410 mm
Teilenummer des Ersatz-Mähermessers		YA00000731	YA00000732	YA00000733
Abmessungen (L x B x H)	Während des Betriebs (mit Graskorb)	L: 1.040 mm bis 1.230 mm B: 380 mm H: 870 mm bis 1.110 mm	L: 1.140 mm bis 1.330 mm B: 415 mm H: 890 mm bis 1.120 mm	L: 1.255 mm bis 1.470 mm B: 460 mm H: 955 mm bis 1.230 mm
	Während der Lagerung (ohne Graskorb)	350 mm x 380 mm x 1.090 mm	335 mm x 415 mm x 1.090 mm	395 mm x 460 mm x 1.220 mm
Nettogewicht		10,2 kg	11,6 kg	14,5 kg
Sicherheitsklasse		II/III		

- Wir behalten uns vor, Änderungen der technischen Daten im Zuge der Entwicklung und des technischen Fortschritts ohne vorherige Ankündigung vorzunehmen.
- Die technischen Daten können von Land zu Land unterschiedlich sein.
- Das Gewicht kann abhängig von den Aufsätzen unterschiedlich sein. Die leichteste und die schwerste Kombination, gemäß dem EPTA-Verfahren 01/2014, sind in der Tabelle angegeben.

Symbole

Nachfolgend werden die für das Gerät verwendeten Symbole beschrieben. Machen Sie sich vor der Benutzung mit ihrer Bedeutung vertraut.

	Besondere Umsicht und Aufmerksamkeit erforderlich. Betriebsanleitung lesen.
	DOPPELTE ISOLIERUNG
	Gefahr durch herausgeschleuderte Objekte. Der Abstand zwischen dem Werkzeug und Umstehenden sollte mindestens 15 m betragen.
	Warten Sie, bis alle Maschinenkomponenten zum vollständigen Stillstand gekommen sind, bevor Sie sie berühren.
	Halten Sie das flexible Versorgungskabel von den Schneidmessern entfernt.
	Vorsicht vor scharfen Messern. Die Messer drehen sich nach dem Ausschalten des Motors noch weiter. Ziehen Sie den Stecker von der Maschine ab, bevor Sie eine Wartung durchführen, oder falls das Kabel beschädigt ist.
	Der Lärmpegel der Maschine beträgt nicht mehr als 96 dB.



Hände und Füße fernhalten. Betreiben Sie den Mäher nur mit ordnungsgemäß angebrachten Schutzhauben und Aufsätzen.



Nur für EU-Länder
Werfen Sie Elektrogeräte nicht in den Hausmüll! Unter Einhaltung der Europäischen Richtlinie über Elektro- und Elektronik-Altgeräte und ihrer Umsetzung gemäß den Landesgesetzen müssen Elektrogeräte, die das Ende ihrer Lebensdauer erreicht haben, getrennt gesammelt und einer umweltgerechten Recycling-Einrichtung zugeführt werden.

Vorgesehene Verwendung

Die Maschine ist für Rasenmähen vorgesehen. Verwenden Sie die Maschine nicht für andere Zwecke. Unsachgemäßer Gebrauch der Maschine kann zu einer Gefahrensituation führen.

Stromversorgung

Das Werkzeug sollte nur an eine Stromquelle angeschlossen werden, deren Spannung mit der Angabe auf dem Typenschild übereinstimmt, und kann nur mit Einphasen-Wechselstrom betrieben werden. Diese sind doppelt schutzisoliert und können daher auch an Steckdosen ohne Erdleiter verwendet werden. Falls das Versorgungskabel beschädigt ist, muss es vom Hersteller oder einem Kundendienstvertreter ausgetauscht werden, um Unfälle zu vermeiden.

Für öffentliche Niederspannungs-Verteilungssysteme mit einer Spannung zwischen 220 V und 250 V

Schaltvorgänge von Elektrogeräten verursachen Spannungsschwankungen. Der Betrieb dieses Gerätes unter ungünstigen Netzstrombedingungen kann sich nachteilig auf den Betrieb anderer Geräte auswirken. Bei einer Netzimpedanz von 0,425 Ohm (für ELM3720) oder 0,427 Ohm (für ELM4120) oder weniger kann angenommen werden, dass keine negativen Auswirkungen auftreten. Die für dieses Gerät verwendete Netzsteckdose muss durch eine Sicherung oder einen Schutzschalter mit trägen Auslösungseigenschaften geschützt sein.

Geräusch

Zutreffender Standard : EN60335

Modell	Schalldruckpegel		Schalleistungspegel	
	L _{PA} (dB(A))	Messunsicherheit K (dB (A))	L _{PA} (dB(A))	Messunsicherheit K (dB (A))
ELM3320	83	3	94	2
ELM3720	83	3	94	1
ELM4120	84	3	93	2

HINWEIS: Der (Die) angegebene(n) Schallemissionswert(e) wurde(n) im Einklang mit der Standardprüfmethode gemessen und kann (können) für den Vergleich zwischen Werkzeugen herangezogen werden.

HINWEIS: Der (Die) angegebene(n) Schallemissionswert(e) kann (können) auch für eine Vorbewertung des Gefährdungsgrads verwendet werden.

⚠️ WARNUNG: Einen Gehörschutz tragen.

⚠️ WARNUNG: Die Schallemission während der tatsächlichen Benutzung des Elektrowerkzeugs kann je nach der Benutzungsweise des Werkzeugs, und speziell je nach der Art des bearbeiteten Werkstücks, von dem (den) angegebenen Wert(en) abweichen.

⚠️ WARNUNG: Identifizieren Sie Sicherheitsmaßnahmen zum Schutz des Benutzers anhand einer Schätzung des Gefährdungsgrads unter den tatsächlichen Benutzungsbedingungen (unter Berücksichtigung aller Phasen des Arbeitszyklus, wie z. B. Ausschalt- und Leerlaufzeiten des Werkzeugs zusätzlich zur Betriebszeit).

Schwingungen

Schwingungsgesamtwert (Drei-Achsen-Vektorsumme) ermittelt gemäß EN60335:

Modell ELM3320

Schwingungsemission (a_n): 2,5 m/s² oder weniger
Messunsicherheit (K): 1,5 m/s²

Modell ELM3720

Schwingungsemission (a_n): 2,5 m/s² oder weniger
Messunsicherheit (K): 1,5 m/s²

Modell ELM4120

Schwingungsemission (a_n): 2,5 m/s² oder weniger
Messunsicherheit (K): 1,5 m/s²

HINWEIS: Der (Die) angegebene(n) Vibrationsgesamtwert(e) wurde(n) im Einklang mit der Standardprüfmethode gemessen und kann (können) für den Vergleich zwischen Werkzeugen herangezogen werden.

HINWEIS: Der (Die) angegebene(n) Vibrationsgesamtwert(e) kann (können) auch für eine Vorbewertung des Gefährdungsgrads verwendet werden.

⚠️ WARNUNG: Die Vibrationsemission während der tatsächlichen Benutzung des Elektrowerkzeugs kann je nach der Benutzungsweise des Werkzeugs, und speziell je nach der Art des bearbeiteten Werkstücks, von dem (den) angegebenen Emissionswert(en) abweichen.

⚠️ WARNUNG: Identifizieren Sie Sicherheitsmaßnahmen zum Schutz des Benutzers anhand einer Schätzung des Gefährdungsgrads unter den tatsächlichen Benutzungsbedingungen (unter Berücksichtigung aller Phasen des Arbeitszyklus, wie z. B. Ausschalt- und Leerlaufzeiten des Werkzeugs zusätzlich zur Betriebszeit).

EG-Konformitätserklärung

Nur für europäische Länder

Die EG-Konformitätserklärung ist als Anhang A in dieser Bedienungsanleitung enthalten.

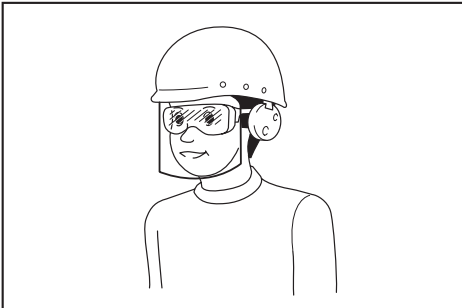
SICHERHEITSWARNUNGEN

WICHTIGE SICHERHEITSVORSCHRIFTEN

⚠️ WARNUNG: Lesen Sie alle Sicherheitswarnungen und Anweisungen durch. Eine Missachtung der unten aufgeführten Warnungen und Anweisungen kann zu einem elektrischen Schlag, Brand und/oder schweren Verletzungen führen.

Bewahren Sie alle Warnungen und Anweisungen für spätere Bezugnahme auf.

1. Kinder sollten beaufsichtigt werden, um sicherzugehen, dass sie nicht mit dem Mäher spielen.
2. Kinder oder Personen, die nicht mit dieser Anleitung vertraut sind, dürfen den Mäher keinesfalls benutzen. Örtliche Vorschriften können das Alter der Bedienungsperson einschränken.
3. Betreiben Sie den Mäher keinesfalls, während sich Personen, besonders Kinder, oder Haustiere in der Nähe aufhalten.
4. Beachten Sie, dass der Bediener oder Benutzer für Unfälle oder Gefahren verantwortlich ist, die an anderen Personen oder deren Eigentum auftreten.
5. Tragen Sie während der Benutzung des Mähers stets kräftiges Schuhwerk und eine lange Hose. Betreiben Sie den Mäher nicht barfuß oder mit offenen Sandalen. Vermeiden Sie das Tragen von Kleidungsstücken oder Schmucksachen, die lose sitzen oder herunterhängende Schnüre oder Bänder haben. Diese können von beweglichen Teilen erfasst werden.
6. Tragen Sie stets eine Schutzbrille, um Ihre Augen bei Verwendung von Elektrowerkzeugen vor Verletzung zu schützen. Die Brille muss den Vorschriften ANSI Z87.1 in den USA, EN 166 in Europa oder AS/NZS 1336 in Australien/Neuseeland entsprechen. In Australien/Neuseeland ist das Tragen eines Gesichtsschutzes gesetzlich vorgeschrieben, um auch Ihr Gesicht zu schützen.



Der Arbeitgeber ist dafür verantwortlich, den Gebrauch von angemessener Schutzausrüstung für die Werkzeugbenutzer und andere Personen im unmittelbaren Arbeitsbereich durchzusetzen.

7. Überprüfen Sie das Netzkabel vor der Benutzung auf Anzeichen von Beschädigung oder Alterung. Falls das Kabel während der Benutzung beschädigt wird, trennen Sie das Kabel sofort vom Stromnetz. Berühren Sie das Kabel nicht vor dem Abtrennen der Stromversorgung. Benutzen Sie den Mäher nicht, wenn das Kabel beschädigt oder verschlissen ist.
8. Betreiben Sie den Mäher nur bei Tageslicht oder hellem Kunstlicht.
9. Vermeiden Sie die Benutzung des Mähers in nassem Gras.
10. Betreiben Sie den Mäher niemals bei Regen.
11. Halten Sie den Bügelgriff stets mit festem Griff.
12. Achten Sie beim Arbeiten auf Hängen stets auf sicheren Stand.
13. Stets gehen, niemals laufen.
14. Fassen Sie nicht die freiliegenden Schneidmesser oder die Schneidkanten an, wenn Sie den Mäher anheben oder halten.
15. Körperliche Verfassung - Betreiben Sie den Mäher nicht unter dem Einfluss von Drogen, Alkohol oder Medikamenten.
16. Halten Sie Hände und Füße von rotierenden Messern fern. Vorsicht - Die Messer drehen sich nach dem Ausschalten des Mähers noch weiter.
17. Verwenden Sie nur die in dieser Anleitung angegebenen Originalmesser des Herstellers.
18. Überprüfen Sie die Messer vor dem Betrieb sorgfältig auf Risse oder Beschädigung. Wechseln Sie gerissene oder beschädigte Messer unverzüglich aus.
19. Vergewissern Sie sich, dass sich keine anderen Personen im Arbeitsbereich aufhalten, bevor Sie mit dem Mähen beginnen. Stellen Sie den Mäher ab, falls jemand den Arbeitsbereich betritt.
20. Entfernen Sie vor dem Mähen Fremdkörper, wie Steine, Draht, Flaschen, Knochen und große Äste, vom Arbeitsbereich, um Personenschäden oder Beschädigung des Mähers zu verhüten.
21. Brechen Sie den Betrieb sofort ab, wenn Sie irgendetwas Ungewöhnliches bemerken. Schalten Sie den Mäher aus, und ziehen Sie das Netzkabel von der Stromversorgung ab. Überprüfen Sie dann den Mäher.
22. Versuchen Sie niemals, die Radhöhe zu verstellen, während der Mäher läuft.
23. Lassen Sie den Schalthebel los, und warten Sie, bis das Messer zum Stillstand gekommen ist, bevor Sie Einfahrten, Gehwege, Straßen und schotterbedeckte Flächen überqueren. Ziehen Sie das Netzkabel auch von der Stromversorgung ab, wenn Sie den Mäher verlassen, wenn Sie sich bücken, um etwas aufzuheben oder aus dem Weg zu räumen, oder in irgendeiner anderen Situation, bei der Sie von Ihrer Arbeit abgelenkt werden könnten.

24. Vom Mähermesser herausgeschleuderte Gegenstände können schwere Personenverletzungen verursachen. Der Rasen ist vor jedem Mähen sorgfältig zu überprüfen und von allen Objekten zu räumen.
25. Falls der Rasenmäher auf einen Fremdkörper stößt, gehen Sie folgendermaßen vor:
 - Stellen Sie den Mäher ab, lassen Sie den Schalthebel los, und warten Sie, bis das Messer zum vollständigen Stillstand kommt.
 - Ziehen Sie das Netzkabel von der Stromversorgung ab.
 - Überprüfen Sie den Mäher gründlich auf etwaige Beschädigung.
 - Tauschen Sie das Messer aus, falls es in irgendeiner Weise beschädigt ist. Reparieren Sie etwaige Schäden, bevor Sie den Mäher wieder in Betrieb nehmen und weiter benutzen.
26. Überprüfen Sie den Graskorb oft auf Verschleiß oder Verschlechterung. Vergewissern Sie sich vor der Lagerung stets, dass der Graskorb leer ist. Tauschen Sie einen verschlissenen Graskorb zur Sicherheit gegen ein neues Original-Ersatzteil aus.
27. Lassen Sie äußerste Vorsicht walten, wenn Sie den Mäher rückwärts betreiben oder auf sich zu ziehen.
28. Halten Sie das (die) Messer an, wenn der Mäher zum Transportieren gekippt werden muss, wenn andere Flächen als Rasen überquert werden müssen, und wenn der Mäher zu und vom Arbeitsbereich transportiert werden muss.
29. Betreiben Sie den Mäher niemals mit defekten Schutzklappen oder Abschirmungen oder ohne Sicherheitsvorrichtungen, wie z. B. Abweiser und/oder Graskorb.
30. Schalten Sie den Mäher gemäß den Anweisungen vorsichtig ein, während Ihre Füße einen ausreichenden Sicherheitsabstand von dem (den) Messer(n) haben.
31. Neigen Sie den Mäher nicht, wenn Sie den Motor einschalten, außer wenn der Mäher zum Starten geneigt werden muss. Neigen Sie den Mäher in diesem Fall nicht mehr als absolut notwendig, und heben Sie nur den vom Bediener abgewandten Teil an. Achten Sie stets darauf, dass sich beide Hände an der Arbeitsposition befinden, bevor Sie das Gerät wieder auf den Boden stellen.
32. Starten Sie den Mäher nicht, wenn Sie vor der Auswurföffnung stehen.
33. Halten Sie Ihre Hände oder Füße nicht in die Nähe von rotierenden Teilen oder darunter. Bleiben Sie stets von der Auswurföffnung fern.
34. Transportieren Sie den Mäher nicht in eingeschaltetem Zustand.
35. Stellen Sie den Mäher ab, und ziehen Sie den Stecker von der Steckdose ab. Vergewissern Sie sich, dass alle beweglichen Teile zum vollständigen Stillstand gekommen sind,
 - wann immer Sie den Mäher verlassen,
 - bevor Sie Blockierungen beseitigen oder den Auswurf frei machen,
 - bevor Sie den Mäher überprüfen, reinigen oder daran arbeiten,
 - nach dem Auftreffen auf einen Fremdkörper.
 Überprüfen Sie den Mäher auf Beschädigung, und führen Sie Reparaturen durch, bevor Sie den Mäher wieder starten und in Betrieb nehmen.
36. Falls der Mäher beginnt, ungewöhnlich heftig zu vibrieren (sofort überprüfen),
 - auf Beschädigung überprüfen,
 - beschädigte Teile austauschen oder reparieren,
 - prüfen, ob lose Teile vorhanden sind, und diese festziehen.
37. Lassen Sie während der Einstellung des Mähers Vorsicht walten, um Einklemmen der Finger zwischen den beweglichen Messern und den feststehenden Teilen des Mähers zu verhüten.
38. Mähen Sie Hänge nur seitwärts, niemals auf und ab. Gehen Sie bei Richtungsänderungen auf Hängen äußerst vorsichtig vor. Mähen Sie keine sehr steilen Hänge.
39. Waschen Sie den Mäher nicht mit einem Schlauch, um das Eindringen von Wasser in Motor und elektrische Anschlüsse zu vermeiden.
40. Überprüfen Sie die Messerbefestigungsschraube in regelmäßigen Abständen auf festen Sitz.
41. Achten Sie auf festen Sitz aller Muttern, Bolzen und Schrauben, um sicherzugehen, dass sich das Gerät in einwandfreiem Arbeitszustand befindet.
42. Lassen Sie Vorsicht walten, da durch Drehen eines Messers auch andere Messer in Drehung versetzt werden können.
43. Lassen Sie den Mäher vor der Lagerung stets abkühlen.
44. Wenn Sie die Messer warten, bedenken Sie, dass sich die Messer immer noch bewegen können, selbst wenn die Stromquelle abgeschaltet ist.
45. Tauschen Sie verschlissene oder beschädigte Teile zur Sicherheit aus. Verwenden Sie nur Original-Ersatzteile und -Zubehör.
46. Lassen Sie Ihr Elektrowerkzeug nur unter Verwendung identischer Ersatzteile von einem qualifizierten Wartungstechniker warten. Dadurch wird die Aufrechterhaltung der Sicherheit des Elektrowerkzeugs gewährleistet.
47. Befolgen Sie die Anweisungen für die Schmierung und den Austausch von Zubehör.
48. Halten Sie Bügelgriffe trocken, sauber und frei von Öl und Fett.
49. Vergewissern Sie sich, dass die Spannung und Netzfrequenz der Stromversorgung mit den auf dem Typenschild angegebenen Spezifikationen übereinstimmen. Wir empfehlen die Verwendung eines Fehlerstrom-Schutzschalters (FI-Schutzschalter) mit einem Auslösestrom von maximal 30 mA, oder eines Erdstrom-Schutzschalters.
50. Diese Maschine kann von Kindern ab 8 Jahren und Personen mit verminderten körperlichen, sensorischen oder geistigen Fähigkeiten oder Mangel an Erfahrung und Kenntnissen benutzt werden, sofern sie eine Beaufsichtigung oder Anweisung bezüglich des sicheren Gebrauchs der Maschine erhalten haben und die damit verbundenen Gefahren verstehen. Reinigung und Benutzerwartung dürfen nicht von Kindern ohne Beaufsichtigung durchgeführt werden.

Restrisiken

Selbst wenn Sie dieses Produkt im Einklang mit allen Sicherheitsanforderungen betreiben, verbleiben dennoch potenzielle Verletzungs- und Beschädigungsrisiken. Die folgenden Gefahren können in Verbindung mit der Struktur und Konstruktion dieses Produkts auftreten.

1. Gesundheitsschäden durch Schwingungsemission, wenn das Produkt über längere Zeiträume benutzt oder nicht angemessen verwaltet und ordnungsgemäß gewartet wird.
2. Verletzungen und Sachschäden durch beschädigte Anwendungswerkzeuge oder den plötzlichen Aufprall von verborgenen Objekten während des Gebrauchs.
3. Gefahr von Verletzungen und Sachschäden durch herausgeschleuderte Objekte.

⚠️ WARNUNG: Dieses Produkt erzeugt ein elektromagnetisches Feld während des Betriebs. Unter bestimmten Umständen kann dieses Feld Auswirkungen auf aktive oder passive medizinische Implantate haben. Um die Gefahr ernsthafter oder tödlicher Verletzungen zu verringern, empfehlen wir Personen mit medizinischen Implantaten, sich vor der Bedienung dieses Produkts an ihren Arzt und den Hersteller des medizinischen Implantats zu wenden.

DIESE ANWEISUNGEN AUFBEWAHREN.

⚠️ WARNUNG: Lassen Sie sich NICHT durch Bequemlichkeit oder Vertrautheit mit dem Produkt (durch wiederholten Gebrauch erworben) von der strikten Einhaltung der Sicherheitsregeln für das vorliegende Produkt abhalten.

MISSBRAUCH oder Missachtung der Sicherheitsvorschriften in dieser Anleitung können schwere Verletzungen verursachen.

MONTAGE

⚠️ VORSICHT: Vergewissern Sie sich vor der Ausführung von Arbeiten am Werkzeug stets, dass es ausgeschaltet und vom Stromnetz getrennt ist.

Montieren des Bügelgriffs

1. Nehmen Sie den oberen Bügelgriff von der Haupteinheit der Maschine ab.
▶ **Abb.1:** 1. Oberer Bügelgriff
2. Lösen Sie die Rändelmuttern.
▶ **Abb.2:** 1. Rändelmutter
3. Erweitern Sie den Bügelgriff etwas nach außen, und klappen Sie ihn dann hoch.
▶ **Abb.3:** 1. Bügelgriff

4. Stellen Sie die Bügelgriffhöhe ein, indem Sie den Pfeil auf die Markierung ausrichten.

▶ **Abb.4:** 1. Rändelmutter 2. Markierung 3. Pfeil

5. Ziehen Sie die Rändelmuttern fest.

▶ **Abb.5:** 1. Rändelmutter

6. Befestigen Sie den oberen Bügelgriff, indem Sie die Hebel von der Außenseite des Bügelgriffs einführen, und dann die Muttern mit dem Schraubenschlüssel anziehen, um den Bügelgriff zu sichern.

▶ **Abb.6:** 1. Hebel 2. Mutter

7. Sichern Sie die Kabel mit den Klemmen, wie in der Abbildung gezeigt.

▶ **Abb.7:** 1. Klemme

Montieren des Graskorbs

1. Befestigen Sie die Rohre des Graskorbs am Rahmen.

▶ **Abb.8:** 1. Rohr 2. Rahmen

2. Öffnen Sie die Rückabdeckung.

▶ **Abb.9:** 1. Rückabdeckung

3. Hängen Sie den Graskorb an die Rückseite der Maschine.

▶ **Abb.10**

Zum Abnehmen des Graskorbs wenden Sie das Montageverfahren umgekehrt an.

Anschließen des Verlängerungskabels

⚠️ WARNUNG: Vergewissern Sie sich vor dem Verbinden des Verlängerungskabels mit dem Netzstecker der Maschine, dass der Schalthebel gelöst und das Kabel von der Stromversorgung abgezogen ist.

⚠️ WARNUNG: Unterlassen Sie Anschließen oder Abtrennen des Verlängerungskabels mit nassen Händen.

ANMERKUNG: Wenn Sie das Verlängerungskabel mit dem Netzstecker der Maschine verbinden, führen Sie den Stecker unbedingt vollständig in die Buchse ein.

Wenn Sie das Verlängerungskabel anschließen, hängen Sie es in den Haken am Bügelgriff ein, wie in der Abbildung gezeigt, um unbeabsichtigtes Abtrennen durch übermäßigen Zug am Stecker zu verhindern.

▶ **Abb.11:** 1. Haken 2. Verlängerungskabel

FUNKTIONSBESCHREIBUNG

Einstellen der Mähhöhe

⚠️ WARNUNG: Bevor Sie die Mähhöhe einstellen, ziehen Sie das Verlängerungskabel von der Stromversorgung ab, und stellen Sie sicher, dass die Messer zu einem vollständigen Stillstand gekommen sind.

⚠️ WARNUNG: Halten Sie niemals Ihre Hand oder Ihren Fuß unter die Mähereinheit, wenn Sie die Mähhöhe einstellen.

Die Mähhöhe kann innerhalb des Bereichs von 20 mm bis 55 mm (für ELM3320/ELM3720) bzw. von 20 mm bis 75 mm (für ELM4120) eingestellt werden. Die Mähhöhe kann in 3 Stufen (für ELM3320/ELM3720) bzw. 7 Stufen (für ELM4120) eingestellt werden.

Für ELM3320/ELM3720

► Abb.12: 1. Einstellhebel

Für ELM4120

► Abb.13: 1. Einstellhebel

Halten Sie den Bügelgriff mit einer Hand, und verstellen Sie dann den Einstellhebel mit der anderen Hand.

► Abb.14: 1. Einstellhebel

HINWEIS: Machen Sie einen Mähtest an einer unauffälligeren Stelle des Rasens, um die gewünschte Höhe zu erhalten.

Schalterfunktion

⚠️ WARNUNG: Vergewissern Sie sich vor dem Anschließen des Werkzeugs an das Stromnetz stets, dass der Schalthebel ordnungsgemäß funktioniert und beim Loslassen in die AUS-Stellung zurückkehrt.

⚠️ WARNUNG: Aus Sicherheitsgründen ist diese Maschine mit einem Einschaltsperrknopf ausgestattet, der versehentliches Starten des Werkzeugs verhütet. Betreiben Sie die Maschine niemals, wenn sie durch bloße Betätigung des Schalthebels eingeschaltet werden kann, ohne den Einschaltsperrknopf zu drücken. Wenden Sie sich bezüglich einer Reparatur an Ihre örtliche Makita-Kundendienststelle.

⚠️ WARNUNG: Auf keinen Fall darf die Sperrfunktion deaktiviert oder der Einschaltsperrknopf mit Klebeband festgeklebt werden.

ANMERKUNG: Betätigen Sie den Schalthebel nicht gewaltsam, ohne den Einschaltsperrknopf zu drücken. Anderenfalls kann der Schalter beschädigt werden.

Um die Maschine zu starten, drücken Sie den Einschaltsperrknopf, und ziehen Sie dann den Schalthebel an. Zum Anhalten der Maschine lassen Sie den Schalthebel los.

► Abb.15: 1. Schalthebel 2. Einschaltsperrknopf

Füllstandanzeiger des Graskorbs

Der Füllstandanzeiger des Graskorbs öffnet sich während des Mähens, wenn der Graskorb nicht voll ist. Wenn der Graskorb voll ist, schließt sich der Füllstandanzeiger während des Mähens. Wenn der Graskorb voll ist, leeren Sie ihn vor Beginn des Mähens.

► Abb.16: 1. Füllstandanzeiger

► Abb.17: 1. Füllstandanzeiger

Einstellen der Bügelgriffhöhe

Die Bügelgriffhöhe kann in drei Stufen eingestellt werden. Lösen Sie die Rändelmuttern, während Sie den Bügelgriff halten, stellen Sie dann die Bügelgriffhöhe ein, indem Sie den Pfeil auf eine der Markierungen ausrichten, und ziehen Sie dann die Rändelmuttern fest.

► Abb.18: 1. Rändelmutter 2. Markierung 3. Pfeil

Motorschutzsystem (Überstromrelais)

⚠️ WARNUNG: Falls die Maschine während des Betriebs plötzlich stehen bleibt, lassen Sie den Schalthebel los, und ziehen Sie das Verlängerungskabel ab. Anderenfalls kann die Maschine plötzlich wieder anlaufen und Verletzungen verursachen.

⚠️ VORSICHT: Bevor Sie ein Objekt entfernen, welches das Messer blockiert, ziehen Sie unbedingt Handschuhe an, und ziehen Sie das Verlängerungskabel von der Netzsteckdose ab.

Falls Grasverschnitt oder Schmutz die Innenseite des Hauptteils blockiert, bleibt die Maschine zum Schutz des Motors automatisch stehen (Überstromrelais). Ziehen Sie in diesem Fall das Verlängerungskabel von der Netzsteckdose ab, entfernen Sie dann das Material, das die Blockierung verursacht, und lassen Sie dann die Maschine einige Minuten lang abkühlen, bevor Sie sie wieder einschalten.

HINWEIS: Das Überstromrelais kann aktiviert werden, wenn sich nasses oder langes Gras im Inneren des Hauptteils verfängt.

BETRIEB

Mähen

⚠️ WARNUNG: Bevor Sie mit dem Mähen beginnen, entfernen Sie Äste und Steine vom Mähbereich. Beseitigen Sie vorher auch jegliches Unkraut im Mähbereich.

► Abb.19

⚠️ WARNUNG: Tragen Sie bei der Benutzung des Mähers stets eine Schutzbrille mit Seitenschützern.

⚠️ VORSICHT: Falls der Grasverschnitt oder Fremdkörper die Innenseite der Mähereinheit blockieren, schalten Sie unbedingt die Stromversorgung aus, und ziehen Sie dann das Verlängerungskabel von der Netzsteckdose ab. Ziehen Sie unbedingt Handschuhe an, bevor Sie das Gras oder den Fremdkörper entfernen.

⚠ VORSICHT: Montieren Sie unbedingt den Graskorb, wenn Sie die Maschine betreiben.

ANMERKUNG: Verwenden Sie diese Maschine nur zum Mähen von Rasen. Mähen Sie kein Unkraut mit dieser Maschine.

Halten Sie den Bügelgriff beim Mähen mit beiden Händen fest.

► **Abb.20**

Die Richtlinie der Mähgeschwindigkeit liegt bei ungefähr einem Meter pro vier Sekunden.

► **Abb.21**

Fangen Sie in der Nähe der Netzsteckdose mit dem Mähen an, um sicherzustellen, dass das Verlängerungskabel nicht zu einem Hindernis wird.

► **Abb.22:** 1. Netzsteckdose 2. Verlängerungskabel

Achten Sie darauf, dass das Verlängerungskabel nicht unter der Maschine verläuft oder sich unter der Maschine verheddert.

► **Abb.23**

► **Abb.24**

Die Linien auf beiden Seiten des Hauptteils sind Richtlinien für die Mähbreite. Mähen Sie in Streifen, indem Sie die Linien als Richtlinien verwenden. Überlappen Sie den vorhergehenden Streifen um eine Hälfte bis ein Drittel, um den Rasen gleichmäßig zu mähen.

► **Abb.25:** 1. Mähbreite 2. Überlappungsbereich 3. Linie

Wechseln Sie jedes Mal die Mährichtung, um zu verhindern, dass sich eine Grasmaserung nur in einer Richtung bildet.

► **Abb.26**

Überprüfen Sie die Höhe des gemähten Grasses im Graskorb regelmäßig. Entleeren Sie den Korb, bevor er ganz voll wird. Stellen Sie die Maschine vor jeder regelmäßigen Kontrolle ab.

HINWEIS: Die Benutzung des Mähers mit vollem Graskorb verhindert eine reibungslose Messerdrehung und übt eine zusätzliche Last auf den Motor aus, die zu einem Ausfall führen kann.

Mähen eines Rasens mit hohem Gras

Versuchen Sie nicht, langes Gras in einem Durchgang zu schneiden. Mähen Sie den Rasen statt dessen in mehreren Durchgängen. Lassen Sie ein oder zwei Tage zwischen den Mähdurchgängen offen, bis der Rasen gleichmäßig kurz wird.

► **Abb.27**

HINWEIS: Der Versuch, langes Gras in einem Durchgang auf eine kurze Länge zu mähen, kann dazu führen, dass das Gras abstirbt. Außerdem kann das gemähte Gras die Innenseite der Mähereinheit blockieren.

Kantenmähen

Wenn Sie an der Kante mähen, führen Sie die Maschine unbedingt an der Kante entlang.

► **Abb.28**

WARTUNG

⚠ WARNUNG: Bevor Sie Wartungsarbeiten durchführen, ziehen Sie das Verlängerungskabel von der Stromversorgung ab, und stellen Sie sicher, dass die Messer zu einem vollständigen Stillstand gekommen sind.

⚠ VORSICHT: Tragen Sie zur Durchführung von Wartungsarbeiten immer Handschuhe.

Um die SICHERHEIT und ZUVERLÄSSIGKEIT dieses Produkts zu gewährleisten, sollten Reparaturen und andere Wartungs- oder Einstellarbeiten nur von Makita-Vertragswerkstätten oder Makita-Kundendienstzentren unter ausschließlicher Verwendung von Makita-Originalersatzteilen ausgeführt werden.

Wartung nach dem Mähen

Wischen Sie die Maschine nach dem Mähen mit einem trockenen oder mit Seifenwasser getränkten Lappen ab. Bürsten Sie außerdem Grasverschnitt und Schmutz mit einer weichen Bürste von den Messern ab.

ANMERKUNG: Verwenden Sie auf keinen Fall Benzin, Waschbenzin, Verdünnern, Alkohol oder dergleichen. Solche Mittel können Verfärbung, Verformung oder Rissbildung verursachen.

Lagerung

1. Ziehen Sie das Verlängerungskabel ab.
► **Abb.29:** 1. Verlängerungskabel
2. Öffnen Sie die Rückabdeckung, und nehmen Sie dann den Graskorb ab.
► **Abb.30:** 1. Rückabdeckung 2. Graskorb
3. Lösen Sie die Rändelmuttern, während Sie den Bügelgriff festhalten, erweitern Sie dann den Bügelgriff etwas nach außen, und klappen Sie ihn dann ein.
► **Abb.31:** 1. Rändelmutter 2. Bügelgriff 3. Markierung 4. Pfeil

⚠ VORSICHT: Achten Sie beim Herunterklappen des Bügelgriffs darauf, dass Sie sich nicht Ihre Hand oder Finger klemmen.

HINWEIS: Vergewissern Sie sich, dass der Pfeil auf die vorderste Markierung zeigt.

4. Ziehen Sie die Rändelmuttern fest.
► **Abb.32:** 1. Rändelmutter
5. Öffnen Sie die Hebel, und legen Sie dann das Kabel über den Hebel.
► **Abb.33:** 1. Hebel 2. Kabel
6. Stellen Sie die Hebel auf die Zwischenstellung zurück, wie in der Abbildung gezeigt.
► **Abb.34:** 1. Hebel
7. Klappen Sie den Bügelgriff ein.
► **Abb.35:** 1. Bügelgriff
8. Stellen Sie die Maschine so hin, wie in der Abbildung gezeigt.
► **Abb.36**

⚠ VORSICHT: Lagern Sie diese Maschine unbedingt in einem Innenraum, und stellen Sie sie auf eine ebene Oberfläche. Anderenfalls kann die Maschine umkippen und Verletzungen verursachen.

Sie können die Maschine auch wie folgt lagern.

1. Ziehen Sie das Verlängerungskabel ab.
▶ **Abb.37:** 1. Verlängerungskabel
2. Öffnen Sie die Rückabdeckung, und nehmen Sie dann den Graskorb ab.
▶ **Abb.38:** 1. Rückabdeckung 2. Graskorb
3. Stellen Sie die Mähhöhe mit dem Einstellhebel ein.

Für ELM3320/ELM3720:

Stellen Sie die Mähhöhe auf „1“ ein.
▶ **Abb.39:** 1. Einstellhebel

Für ELM4120:

Stellen Sie die Mähhöhe auf „2“ ein.
▶ **Abb.40:** 1. Einstellhebel

4. Lösen Sie die Rändelmutter, während Sie den Bügelgriff festhalten, erweitern Sie dann den Bügelgriff etwas nach außen, und klappen Sie ihn dann ein.
▶ **Abb.41:** 1. Rändelmutter 2. Bügelgriff 3. Markierung 4. Pfeil

⚠ VORSICHT: Achten Sie beim Herunterklappen des Bügelgriffs darauf, dass Sie sich nicht Ihre Hand oder Finger klemmen.

HINWEIS: Vergewissern Sie sich, dass der Pfeil auf die vorderste Markierung zeigt.

5. Ziehen Sie die Rändelmutter fest.
▶ **Abb.42:** 1. Rändelmutter
6. Stellen Sie die Maschine so hin, wie in der Abbildung gezeigt.
▶ **Abb.43**

⚠ VORSICHT: Lagern Sie diese Maschine unbedingt in einem Innenraum, und stellen Sie sie auf eine ebene Oberfläche. Anderenfalls kann die Maschine umkippen und Verletzungen verursachen.

Die Maschine kann auch mit eingeklapptem Bügelgriff gelagert werden.

⚠ VORSICHT: Bevor Sie die Hebel öffnen, halten Sie den oberen Bügelgriff fest. Anderenfalls kann der Bügelgriff herunterfallen und Verletzungen verursachen.

1. Öffnen Sie die Hebel, während Sie den oberen Bügelgriff festhalten.
▶ **Abb.44:** 1. Hebel
2. Klappen Sie den oberen Bügelgriff herunter.
▶ **Abb.45:** 1. Oberer Bügelgriff

Austauschen des Mähmessers

⚠ VORSICHT: Verwenden Sie zum Austauschen des Mähmessers nur den Standard-Inbusschlüssel. Die Verwendung eines anderen Schraubenschlüssels kann zu übermäßigem Festziehen oder Lockerheit führen, wodurch Verletzungen verursacht werden können.

1. Ziehen Sie das Verlängerungskabel ab, und stellen Sie die Maschine aufrecht. (Nehmen Sie auf die Anweisungen zum Lagern Bezug.)
2. Stecken Sie den Stift in das Loch, halten Sie dann den Bügelgriff mit einer Hand, und lösen Sie die Schraube durch Drehen des Schraubenschlüssels entgegen dem Uhrzeigersinn.
▶ **Abb.46:** 1. Messer 2. Schraubenschlüssel 3. Stift
3. Entfernen Sie das Mähmesser.

Für ELM3320

Entfernen Sie Schraube, Unterlegscheibe, Mähmesser und Halterung in dieser Reihenfolge.
▶ **Abb.47:** 1. Halterung 2. Mähmesser
3. Unterlegscheibe 4. Schraube

Für ELM3720/ELM4120

Entfernen Sie Schraube, Unterlegscheibe, Mähmesser, Halterung und Distanzhülse in dieser Reihenfolge.
▶ **Abb.48:** 1. Distanzhülse 2. Halterung
3. Mähmesser 4. Unterlegscheibe
5. Schraube

4. Bringen Sie ein neues Mähmesser an, stecken Sie dann den Stift in das Loch, halten Sie den Bügelgriff mit einer Hand, und ziehen Sie die Schraube durch Drehen des Schraubenschlüssels im Uhrzeigersinn fest.
▶ **Abb.49:** 1. Mähmesser 2. Schraubenschlüssel
3. Stift

Verlängerungskabel

Verwenden Sie nur Verlängerungskabel für Freiluftbenutzung bzw. ein PVC- oder Gummikabel für gewöhnlichen Betrieb, das einen Querschnitt von mindestens 1,5 mm² hat. Überprüfen Sie das Stromversorgungs- und das Verlängerungskabel vor und während des Gebrauchs auf Beschädigung. Benutzen Sie das Gerät nicht, wenn das Kabel beschädigt oder verschlissen ist. Halten Sie das Verlängerungskabel von Schneideelementen fern. Falls das Kabel während der Benutzung beschädigt wird, trennen Sie das Kabel sofort von der Stromversorgung. Berühren Sie das Kabel nicht vor dem Abtrennen der Stromversorgung.

SONDERZUBEHÖR

⚠ VORSICHT: Die folgenden Zubehörteile oder Vorrichtungen werden für den Einsatz mit dem in dieser Anleitung beschriebenen Makita-Werkzeug empfohlen. Die Verwendung anderer Zubehörteile oder Vorrichtungen kann eine Verletzungsgefahr darstellen. Verwenden Sie Zubehörteile oder Vorrichtungen nur für ihren vorgesehenen Zweck.

Wenn Sie weitere Einzelheiten bezüglich dieser Zubehörteile benötigen, wenden Sie sich bitte an Ihre Makita-Kundendienststelle.

- Mähmesser

HINWEIS: Manche Teile in der Liste können als Standardzubehör im Werkzeugsatz enthalten sein. Sie können von Land zu Land unterschiedlich sein.

DATI TECNICI

Modello:		ELM3320	ELM3720	ELM4120
Velocità a vuoto		3.400 min ⁻¹		
Altezza di taglio		20 mm - 55 mm		20 mm - 75 mm
Larghezza di taglio		330 mm	370 mm	410 mm
Numero parte della lama di sostituzione per tosaerba		YA00000731	YA00000732	YA00000733
Dimensioni (L x P x A)	Durante l'uso (con cestello erba)	L: da 1.040 mm a 1.230 mm P: 380 mm A: da 870 mm a 1.110 mm	L: da 1.140 mm a 1.330 mm P: 415 mm A: da 890 mm a 1.120 mm	L: da 1.255 mm a 1.470 mm P: 460 mm A: da 955 mm a 1.230 mm
	Quando è riposto (senza cestello erba)	350 mm x 380 mm x 1.090 mm	335 mm x 415 mm x 1.090 mm	395 mm x 460 mm x 1.220 mm
Peso netto		10,2 kg	11,6 kg	14,5 kg
Classe di sicurezza		□/II		

- In conseguenza del nostro programma di ricerca e sviluppo continui, i dati tecnici nel presente manuale sono soggetti a modifiche senza preavviso.
- I dati tecnici possono variare da nazione a nazione.
- Il peso può variare a seconda dell'accessorio o degli accessori. La combinazione più leggera e quella più pesante, in base alla Procedura EPTA 01/2014, sono indicate nella tabella.

Simboli

La figura seguente mostra i simboli utilizzati per l'apparecchio. Accertarsi di comprendere il loro significato prima dell'uso.



Adottare cura e attenzione particolari. Leggere il manuale d'uso.



DOPPIO ISOLAMENTO



Pericolo; fare attenzione agli oggetti scagliati. La distanza tra l'utensile e gli astanti deve essere di almeno 15 m.



Attendere che tutti i componenti della macchina si siano completamente arrestati, prima di toccarli.



Tenere il cavo flessibile di alimentazione lontano dalle lame da taglio.



Fare attenzione alle lame affilate. Le lame continuano a girare dopo lo spegnimento del motore. Rimuovere la spina dalla macchina prima della manutenzione o qualora il cavo sia danneggiato.



Il rumore prodotto dalla macchina non supera i 96 dB.



Tenere mani e piedi lontani. Non far funzionare il tosaerba se le protezioni e gli accessori non sono correttamente installati.



Solo per le nazioni della UE
Non smaltire gli apparecchi elettrici insieme ai rifiuti domestici! In conformità alla Direttiva Europea sui rifiuti di apparecchiature elettriche ed elettroniche (RAEE), e alla sua implementazione in base alla legge nazionale, gli apparecchi elettrici che hanno raggiunto la fine della loro vita utile devono essere sottoposti a raccolta differenziata e conferiti a una struttura di riciclaggio ecocompatibile.

Utilizzo previsto

La macchina è destinata alla tosatura di prati. Non utilizzare la macchina per altri scopi. L'utilizzo della macchina per operazioni diverse da quelle a cui è destinata potrebbe risultare in una situazione pericolosa.

Alimentazione

L'utensile deve essere collegato a una fonte di alimentazione con la stessa tensione indicata sulla targhetta del nome, e può funzionare solo a corrente alternata monofase. L'utensile è dotato di doppio isolamento, per cui può essere utilizzato con prese elettriche sprovviste di messa a terra.

Qualora il cavo di alimentazione sia danneggiato, deve essere sostituito dal produttore o da un suo centro di assistenza al fine di evitare un pericolo.

Per i sistemi di distribuzione della rete elettrica pubblica a bassa tensione da 220 V a 250 V

Le operazioni di accensione e spegnimento degli apparecchi elettrici causano fluttuazioni di tensione. L'utilizzo di questo apparecchio in condizioni avverse della rete elettrica può produrre effetti negativi sul funzionamento di altri apparecchi. Con un'impedenza della rete elettrica pari o inferiore a 0,425 Ohm (per il modello ELM3720) o 0,427 Ohm (per il modello ELM4120), si può presumere che non si verifichino effetti negativi. La presa elettrica di rete utilizzata per questo apparecchio deve essere protetta con un fusibile o un interruttore automatico di protezione dotato di caratteristiche di intervento lento.

Rumore

Standard applicabile : EN60335

Modello	Livello di pressione sonora		Livello di potenza sonora	
	L _{PA} (dB(A))	Incertezza K (dB(A))	L _{PA} (dB(A))	Incertezza K (dB(A))
ELM3320	83	3	94	2
ELM3720	83	3	94	1
ELM4120	84	3	93	2

NOTA: Il valore o i valori dichiarati delle emissioni di rumori sono stati misurati in conformità a un metodo standard di verifica, e possono essere utilizzati per confrontare un utensile con un altro.

NOTA: Il valore o i valori dichiarati delle emissioni di rumori possono venire utilizzati anche per una valutazione preliminare dell'esposizione.

⚠AVVERTIMENTO: Indossare protezioni per le orecchie.

⚠AVVERTIMENTO: L'emissione di rumori durante l'utilizzo effettivo dell'utensile elettrico può variare rispetto al valore o ai valori dichiarati, a seconda dei modi in cui viene utilizzato l'utensile e specialmente a seconda di che tipo di pezzo venga lavorato.

⚠AVVERTIMENTO: Accertarsi di identificare misure di sicurezza per la protezione dell'operatore che siano basate su una stima dell'esposizione nelle condizioni effettive di utilizzo (tenendo conto di tutte le parti del ciclo operativo, ad esempio del numero di spegnimenti dell'utensile e di quando giri a vuoto, oltre al tempo di attivazione).

Vibrazioni

Valore totale delle vibrazioni (somma vettoriale triassiale) determinato in base allo standard EN60335:

Modello ELM3320

Emissione di vibrazioni (a_h): 2,5 m/s² o inferiore
Incertezza (K): 1,5 m/s²

Modello ELM3720

Emissione di vibrazioni (a_h): 2,5 m/s² o inferiore
Incertezza (K): 1,5 m/s²

Modello ELM4120

Emissione di vibrazioni (a_h): 2,5 m/s² o inferiore
Incertezza (K): 1,5 m/s²

NOTA: Il valore o i valori complessivi delle vibrazioni dichiarati sono stati misurati in conformità a un metodo standard di verifica, e possono essere utilizzati per confrontare un utensile con un altro.

NOTA: Il valore o i valori complessivi delle vibrazioni dichiarati possono venire utilizzati anche per una valutazione preliminare dell'esposizione.

⚠AVVERTIMENTO: L'emissione delle vibrazioni durante l'utilizzo effettivo dell'utensile elettrico può variare rispetto al valore o ai valori dichiarati, a seconda dei modi in cui viene utilizzato l'utensile, specialmente a seconda di che tipo di pezzo venga lavorato.

⚠AVVERTIMENTO: Accertarsi di identificare misure di sicurezza per la protezione dell'operatore che siano basate su una stima dell'esposizione nelle condizioni effettive di utilizzo (tenendo conto di tutte le parti del ciclo operativo, ad esempio del numero di spegnimenti dell'utensile e di quando giri a vuoto, oltre al tempo di attivazione).

Dichiarazione di conformità CE

Solo per i paesi europei

La dichiarazione di conformità CE è inclusa nell'Allegato A al presente manuale di istruzioni.

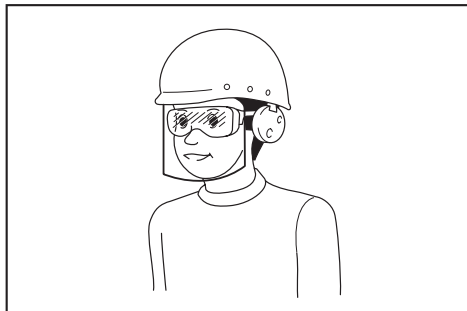
AVVERTENZE DI SICUREZZA

ISTRUZIONI DI SICUREZZA IMPORTANTI

⚠️ AVVERTIMENTO: Leggere tutte le avvertenze relative alla sicurezza e tutte le istruzioni. La mancata osservanza delle avvertenze e delle istruzioni può risultare in scosse elettriche, incendi e/o gravi lesioni personali.

Conservare tutte le avvertenze e le istruzioni come riferimento futuro.

1. I bambini devono essere sorvegliati, per accertarsi che non giochino con il tosaerba.
2. Non consentire mai l'uso del tosaerba a bambini o persone che non abbiano familiarità con le presenti istruzioni. Le normative locali vigenti potrebbero limitare l'età dell'operatore.
3. Non far funzionare mai il tosaerba in presenza di persone, specialmente bambini, o di animali nelle vicinanze.
4. Tenere presente che l'operatore o l'utilizzatore è responsabile degli incidenti o dei pericoli che possono capitare ad altre persone o alle loro proprietà.
5. Durante il funzionamento del tosaerba, indossare sempre calzature robuste e pantaloni lunghi. Non far funzionare il tosaerba a piedi nudi o indossando sandali aperti. Evitare di indossare indumenti o gioielli non aderenti o che includano cordoni o legacci pendenti. Potrebbero restare impigliati nelle parti mobili.
6. Indossare sempre occhiali protettivi per proteggere gli occhi da lesioni personali, quando si utilizzano utensili elettrici. Gli occhiali devono essere conformi allo standard ANSI Z87.1 negli Stati Uniti, allo standard EN 166 in Europa o allo standard AS/NZS 1336 in Australia/Nuova Zelanda. In Australia/Nuova Zelanda, è obbligatorio per legge indossare anche una visiera per proteggere il volto.



È responsabilità del datore di lavoro far rispettare l'utilizzo delle attrezzature protettive di sicurezza appropriate da parte degli operatori degli utensili e di altre persone nell'area di lavoro e nelle immediate vicinanze.

7. Prima dell'uso, controllare l'eventuale presenza di segni di danneggiamento o di invecchiamento del cavo di alimentazione. Qualora il cavo venga danneggiato durante l'uso, scollegarlo immediatamente dall'alimentazione elettrica. Non toccare il cavo prima di aver scollegato l'alimentazione elettrica. Non utilizzare il tosaerba qualora il cavo sia danneggiato o usurato.
8. Far funzionare il tosaerba esclusivamente di giorno o con una buona illuminazione artificiale.
9. Evitare di far funzionare il tosaerba sull'erba bagnata.
10. Non utilizzare mai il tosaerba sotto la pioggia.
11. Mantenere sempre una salda presa sul manubrio.
12. Accertarsi sempre di mantenere i piedi appoggiati saldamente sui pendii.
13. Camminare, non correre mai.
14. Quando si intende sollevare o mantenere il tosaerba, non afferrare mai le lame o i bordi taglienti esposti.
15. Condizione fisica - Non utilizzare il tosaerba sotto l'effetto di droghe, alcolici o di qualsiasi farmaco.
16. Tenere mani e piedi lontani dalle lame in rotazione. Attenzione: le lame continuano a girare per inerzia, dopo lo spegnimento del tosaerba.
17. Utilizzare esclusivamente le lame originali del produttore specificate nel presente manuale.
18. Prima dell'uso, controllare con cura che le lame non presentino spaccature o altri danni. Sostituire immediatamente le lame che presentano spaccature o altri danni.
19. Prima di tagliare l'erba, accertarsi che non vi siano altre persone nell'area di lavoro. Qualora qualcuno entri nell'area di lavoro, arrestare il tosaerba.
20. Prima di tagliare l'erba, rimuovere oggetti estranei quali sassi, cavi, bottiglie, ossi e grossi stecchi dall'area di lavoro, per evitare lesioni personali o danni al tosaerba.
21. Arrestare immediatamente l'uso qualora si noti qualcosa di anomalo. Spegnerlo il tosaerba e scollegare il cavo di alimentazione dall'alimentazione elettrica. Quindi, ispezionare il tosaerba.
22. Non tentare mai di regolare l'altezza delle ruote mentre il tosaerba è in funzione.
23. Rilasciare la leva interruttore e attendere l'arresto della rotazione della lama prima di attraversare vialetti d'accesso, marciapiedi, strade e qualsiasi terreno coperto di ghiaia. Inoltre, scollegare il cavo di alimentazione dall'alimentazione elettrica se si intende lasciare il tosaerba, sporgersi per raccogliere o rimuovere qualche ostacolo sul proprio percorso, oppure per qualsiasi altro motivo che potrebbe distrarre l'utente dall'operazione che sta svolgendo.

24. Gli oggetti colpiti dalla lama del tosaerba possono causare gravi lesioni alle persone. Il prato va sempre esaminato attentamente e ripulito da tutti gli oggetti, prima di ciascun taglio.
25. Qualora il tosaerba colpisca un oggetto estraneo, attenersi alla procedura seguente:
 - Arrestare il tosaerba, rilasciare la leva interruttore e attendere che la lama si arresti completamente.
 - Scollegare il cavo di alimentazione dall'alimentazione elettrica.
 - Ispezionare attentamente il tosaerba alla ricerca di eventuali danni.
 - Sostituire la lama, qualora presenti un qualsiasi danno. Riparare eventuali danni prima di riavviare e continuare a utilizzare il tosaerba.
26. Controllare spesso se il cestello erba presenti segni di usura o di deterioramento. Prima di riporre il cestello erba, accertarsi sempre che sia vuoto. Per garantire la sicurezza, sostituire un cestello erba usurato con un nuovo ricambio di fabbrica.
27. Adottare estrema cautela quando si inverte il movimento o si tira il tosaerba verso di sé.
28. Arrestare le lame, qualora sia necessario inclinare il tosaerba per il trasporto quando si intende attraversare superfici non erbose, nonché quando lo si trasporta sul luogo di utilizzo e lo si porta via da quest'ultimo.
29. Non utilizzare mai il tosaerba con protezioni o barriere difettose, oppure senza aver montato i dispositivi di sicurezza, ad esempio i deflettori e/o il cestello erba.
30. Accendere con attenzione il tosaerba seguendo le istruzioni e con i piedi ben lontani dalle lame.
31. Non inclinare il tosaerba quando si accende il motore, tranne quando è necessario inclinarlo per avviarlo. In questo caso, non inclinarlo più di quanto sia assolutamente necessario, e sollevare solo la parte lontana dall'operatore. Accertarsi sempre che entrambe le mani siano nella posizione d'uso, prima di riportare l'apparecchio al suolo.
32. Non avviare il tosaerba mentre si sta in piedi davanti all'apertura di scarico.
33. Non mettere le mani o i piedi in prossimità delle parti in rotazione o sotto queste ultime. Restare sempre a distanza dall'apertura di scarico.
34. Non trasportare il tosaerba mentre è acceso.
35. Arrestare il tosaerba e rimuovere la spina dalla presa. Accertarsi che tutte le parti mobili si siano arrestate completamente nelle situazioni seguenti:
 - ogni volta che si lascia il tosaerba,
 - prima di rimuovere le occlusioni o di disostruire lo scivolo,
 - prima di controllare, pulire o lavorare sul tosaerba,
 - dopo che il tosaerba ha colpito un oggetto estraneo. Ispezionare il tosaerba alla ricerca di danni ed effettuare le riparazioni prima di riavviarlo o di farlo funzionare.
36. Qualora il tosaerba inizi a vibrare in modo anomalo (controllare immediatamente)
 - ispezionarlo alla ricerca di eventuali danni,
 - sostituire o riparare eventuali parti danneggiate,
 - controllare e serrare eventuali parti allentate.
37. Fare attenzione durante la regolazione del tosaerba, in modo da evitare che le dita restino incastrate tra le lame in movimento e le parti fisse del tosaerba.
38. Tagliare l'erba di traverso lungo la faccia dei pendii, mai procedendo su e giù. Fare la massima attenzione quando si cambia direzione sui pendii. Non tagliare l'erba su pendii eccessivamente ripidi.
39. Non lavare il tosaerba con un tubo flessibile. Evitare di bagnare il motore e i collegamenti elettrici.
40. Controllare a intervalli frequenti che il bullone di montaggio della lama sia serrato correttamente.
41. Mantenere serrati tutti i bulloni, i dadi e le viti, per assicurare che l'apparecchio sia in condizioni di lavoro sicure.
42. Fare attenzione, in quanto la rotazione di una lama può causare la rotazione delle altre lame.
43. Lasciare sempre raffreddare il tosaerba prima di riporlo.
44. Prima di un intervento sulle lame, tenere presente che, anche se la fonte di alimentazione è disattivata, le lame possono venire comunque spostate.
45. Per la massima sicurezza, sostituire le parti usurate o danneggiate. Utilizzare esclusivamente pezzi di ricambio e accessori originali.
46. Far sottoporre ad assistenza l'utensile elettrico da parte di un tecnico qualificato dell'assistenza, che utilizzi solo pezzi di ricambio identici. In tal modo si assicura di preservare la sicurezza dell'utensile elettrico.
47. Attenersi alle istruzioni per la lubrificazione e la sostituzione degli accessori.
48. Tenere i manubri asciutti, puliti e privi di olio e grasso.
49. Controllare per accertarsi che la tensione e la frequenza dell'alimentazione elettrica corrispondano ai dati tecnici forniti sulla targhetta di identificazione. Si consiglia di utilizzare un interruttore automatico differenziale (salvavita) con una corrente di intervento di 30 mA o inferiore, oppure un dispositivo di protezione dalle correnti di dispersione a terra.
50. Questa macchina può venire utilizzata da bambini di età pari o superiore a 8 anni e da persone con capacità fisiche, sensoriali o mentali ridotte, o con carenza di esperienza e preparazione, qualora siano state fornite loro supervisione o istruzioni relative all'utilizzo della macchina in modo sicuro e comprendano i pericoli correlati. La pulizia e la manutenzione da parte dell'utente non devono essere effettuate da bambini senza supervisione.

Rischi residui

Anche se si sta utilizzando questo prodotto in conformità a tutti i requisiti di sicurezza, continuano a sussistere rischi potenziali di lesioni personali e danni. I pericoli seguenti possono insorgere in relazione alla struttura e alla progettazione di questo prodotto.

1. Problemi di salute derivanti dall'emissione di vibrazioni, qualora il prodotto venga utilizzato per periodi di tempo prolungati o non sia gestito in modo adeguato e sottoposto a manutenzione correttamente.
2. Lesioni personali e danni alle cose dovuti a utensili di applicazione rotti o all'impatto improvviso di oggetti nascosti durante l'uso.
3. Pericolo di lesioni personali e danni alle cose causati da oggetti volanti.

⚠AVVERTIMENTO: Questo prodotto produce un campo elettromagnetico durante l'uso. Tale campo, in alcune circostanze, potrebbe interferire con impianti medici attivi o passivi. Per ridurre il rischio di lesioni personali gravi o letali, si consiglia a persone che utilizzino impianti medici di consultare il proprio medico e il produttore dell'impianto medico in questione, prima di utilizzare questo prodotto.

CONSERVARE LE PRESENTI ISTRUZIONI.

⚠AVVERTIMENTO: NON lasciare che la comodità o la familiarità d'uso con il prodotto (acquisita con l'uso ripetuto) sostituiscano la stretta osservanza delle norme di sicurezza.

L'USO IMPROPRIO o la mancata osservanza delle norme di sicurezza riportate nel presente manuale di istruzioni potrebbero causare lesioni personali gravi.

MONTAGGIO

⚠ATTENZIONE: Accertarsi sempre che l'utensile sia spento e scollegato dall'alimentazione elettrica, prima di effettuare qualsiasi intervento su di esso.

Assemblaggio del manubrio

1. Scaricare il manubrio superiore dall'unità principale della macchina.
▶ Fig.1: 1. Manubrio superiore
2. Allentare i dadi a manopola.
▶ Fig.2: 1. Dado a manopola
3. Allargare leggermente il manubrio verso l'esterno, quindi sollevare il manubrio.
▶ Fig.3: 1. Manubrio
4. Regolare l'altezza del manubrio allineando la freccia con il segno.
▶ Fig.4: 1. Dado a manopola 2. Segno 3. Freccia

5. Serrare i dadi a manopola.

▶ Fig.5: 1. Dado a manopola

6. Montare il manubrio superiore inserendo le leve dall'esterno del manubrio, quindi serrare i dadi con la chiave per fissare il manubrio.

▶ Fig.6: 1. Leva 2. Dado

7. Fissare i cavi con i fermacavi, come indicato nella figura.

▶ Fig.7: 1. Fermacavo

Installazione del cestello erba

1. Montare i tubi del cestello erba sul telaio.

▶ Fig.8: 1. Tubo 2. Telaio

2. Aprire lo sportellino posteriore.

▶ Fig.9: 1. Sportellino posteriore

3. Agganciare il cestello erba sul lato posteriore della macchina.

▶ Fig.10

Per rimuovere il cestello erba, eseguire la procedura di installazione al contrario.

Collegamento di un cavo di prolunga

⚠AVVERTIMENTO: Quando si intende collegare il cavo di prolunga alla spina di alimentazione della macchina, accertarsi che la leva interruttore sia rilasciata e che il cavo sia scollegato dall'alimentazione elettrica.

⚠AVVERTIMENTO: Non collegare né scollegare il cavo di prolunga con le mani bagnate.

AVVISO: Quando si intende collegare il cavo di prolunga alla spina di alimentazione della macchina, accertarsi di inserirla completamente nella presa.

Quando si intende collegare il cavo di prolunga, agganciarlo sopra il gancio presente sul manubrio, come indicato nella figura, per evitare uno scollegamento accidentale dovuto alla trazione eccessiva sulla spina.

▶ Fig.11: 1. Gancio 2. Cavo di prolunga

DESCRIZIONE DELLE FUNZIONI

Regolazione dell'altezza di taglio

⚠AVVERTIMENTO: Prima di regolare l'altezza di taglio, scollegare il cavo di prolunga dall'alimentazione elettrica, e controllare che le lame si siano arrestate completamente.

⚠AVVERTIMENTO: Non mettere mai le mani o le gambe sotto il corpo del tosaerba quando si intende regolare l'altezza di taglio.

È possibile regolare l'altezza di taglio nella gamma compresa tra 20 mm e 55 mm (per il modello ELM3320/ELM3720) o 20 mm a 75 mm (per il modello ELM4120). È possibile regolare l'altezza di taglio su 3 livelli (per i modelli ELM3320/ELM3720) o su 7 livelli (per il modello ELM4120).

Per i modelli ELM3320/ELM3720

► Fig.12: 1. Leva di regolazione

Per il modello ELM4120

► Fig.13: 1. Leva di regolazione

Mantenere il manubrio con una sola mano, quindi spostare la leva di regolazione con l'altra mano.

► Fig.14: 1. Leva di regolazione

NOTA: Effettuare un taglio di prova dell'erba in un'ubicazione meno in evidenza, in modo da ottenere l'altezza desiderata.

Funzionamento dell'interruttore

⚠AVVERTIMENTO: Prima di collegare l'utensile all'alimentazione elettrica, controllare sempre che la leva interruttore funzioni correttamente e che torni sulla posizione di spegnimento quando viene rilasciata.

⚠AVVERTIMENTO: Per la sicurezza dell'operatore, questa macchina è dotata di un pulsante di sblocco, che evita l'accensione accidentale dell'utensile. Non utilizzare mai la macchina qualora si avvii quando si preme la leva interruttore senza tenere premuto il pulsante di sblocco. Chiedere la riparazione al proprio centro di assistenza Makita locale.

⚠AVVERTIMENTO: Non mettere mai fuori uso la funzione di blocco, né mantenere premuto il pulsante di sblocco con del nastro adesivo.

AVVISO: Non premere forzatamente la leva interruttore senza tenere premuto il pulsante di sblocco. In caso contrario, l'interruttore potrebbe rompersi.

Per avviare la macchina, premere il pulsante di sblocco, quindi schiacciare la leva interruttore. Per arrestare la macchina, rilasciare la leva interruttore.

► Fig.15: 1. Leva interruttore 2. Pulsante di sblocco

Indicatore di livello del cestello erba

L'indicatore di livello del cestello erba si apre durante il taglio, se il cestello erba non è pieno. Se il cestello erba è pieno, l'indicatore di livello si chiude durante il taglio. Qualora il cestello erba sia pieno, svuotarlo prima di iniziare il taglio.

► Fig.16: 1. Indicatore di livello

► Fig.17: 1. Indicatore di livello

Regolazione dell'altezza del manubrio

È possibile regolare l'altezza del manubrio su tre livelli. Allentare i dadi a manopola mentre si mantiene il manubrio, quindi regolare l'altezza del manubrio allineando la freccia con uno dei segni, e infine serrare i dadi a manopola.

► Fig.18: 1. Dado a manopola 2. Segno 3. Freccia

Sistema di protezione del motore (relè di sovracorrente)

⚠AVVERTIMENTO: Qualora la macchina si arresti improvvisamente mentre la si sta utilizzando, rilasciare la leva interruttore e scollegare il cavo di prolunga. In caso contrario, la macchina si potrebbe riavviare improvvisamente e causare lesioni personali.

⚠ATTENZIONE: Prima di rimuovere un oggetto che stia inceppando la lama, accertarsi di indossare dei guanti e scollegare il cavo di prolunga dalla presa elettrica.

Qualora l'erba tagliata o dello sporco stiano inceppando l'interno del corpo principale, la macchina si arresta automaticamente per proteggere il motore (relè di sovracorrente). In questo caso, scollegare il cavo di prolunga dalla presa elettrica, rimuovere il materiale che sta causando l'inceppamento, quindi lasciare che la macchina si raffreddi per qualche minuto, prima di accenderla.

NOTA: Il relè di sovracorrente potrebbe venire attivato quando erba bagnata o lunga resta impigliata all'interno del corpo principale.

FUNZIONAMENTO

Taglio dell'erba

⚠AVVERTIMENTO: Prima di tagliare l'erba, rimuovere gli stecchi e i sassi dall'area di taglio. Inoltre, rimuovere preventivamente eventuali erbacce dall'area di taglio.

► Fig.19

⚠AVVERTIMENTO: Indossare sempre occhiali od occhialoni di sicurezza con protezioni laterali, quando si utilizza il tosaerba.

⚠ATTENZIONE: Qualora l'erba tagliata o un corpo estraneo ostruisca l'interno del corpo del tosaerba, accertarsi di spegnere l'apparecchio e quindi scollegare il cavo di prolunga dalla presa elettrica. Prima di rimuovere l'erba o il corpo estraneo, accertarsi di indossare dei guanti.

⚠ATTENZIONE: Accertarsi di installare il cestello erba quando si intende utilizzare la macchina.

AVVISO: Utilizzare questa macchina solo per la tosatura di prati. Non tagliare erbacce con questa macchina.

Tenere saldamente il manubrio con entrambe le mani durante il taglio dell'erba.

► Fig.20

La velocità di taglio indicativa è di circa un metro ogni quattro secondi.

► Fig.21

Iniziare a tagliare l'erba in prossimità della presa elettrica, per assicurarsi che il cavo di prolunga non diventi un ostacolo.

► Fig.22: 1. Presa elettrica 2. Cavo di prolunga

Non consentire al cavo di prolunga di passare sotto la macchina o di impigliarsi al di sotto di quest'ultima.

► Fig.23

► Fig.24

Le linee su entrambi i lati del corpo principale sono riferimenti per la larghezza di taglio. Utilizzando le linee come riferimenti, tagliare l'erba a strisce. Per tagliare in modo uniforme il prato, sovrapporre ogni striscia a quella precedente su una parte che vada da una metà a un terzo.

► Fig.25: 1. Larghezza di taglio 2. Area di sovrapposizione 3. Linea

Cambiare la direzione di taglio ogni volta, per evitare che si formi uno schema di venature d'erba in un'unica direzione.

► Fig.26

Controllare a intervalli regolari la quantità di erba tagliata nel cestello erba. Svuotare il cestello prima che si riempia. Prima di ciascun controllo periodico, accertarsi di arrestare la macchina.

NOTA: L'uso del tosaerba con il cestello erba pieno impedisce una rotazione fluida della lama ed esercita un'ulteriore pressione sul motore, che potrebbe causare un guasto.

Taglio di un prato con erba alta

Non tentare di tagliare l'erba alta in una singola passata. Tagliare il prato in sessioni, invece. Lasciar passare uno o due giorni tra una tosatura e l'altra, fino ad accorciare il prato in modo uniforme.

► Fig.27

NOTA: Qualora si tagli corti l'erba alta in una singola passata, l'erba potrebbe morire. Inoltre, l'erba tagliata potrebbe ammassarsi e formare un'ostruzione all'interno del corpo del tosaerba.

Taglio dell'erba ai bordi

Quando si intende effettuare il taglio dell'erba in prossimità di un bordo, accertarsi di spostare la macchina lungo il bordo.

► Fig.28

MANUTENZIONE

⚠AVVERTIMENTO: Prima di effettuare la manutenzione, scollegare il cavo di prolunga dall'alimentazione elettrica, e verificare che le lame si siano arrestate completamente.

⚠ATTENZIONE: Quando si effettua la manutenzione, indossare sempre dei guanti.

Per preservare la SICUREZZA e l'AFFIDABILITÀ del prodotto, le riparazioni e qualsiasi altro intervento di manutenzione e di regolazione devono essere eseguiti da un centro di assistenza autorizzato Makita, utilizzando sempre ricambi Makita.

Manutenzione dopo la tosatura

Dopo la tosatura, pulire la macchina con un panno asciutto o con un panno bagnato in acqua saponata. Inoltre, utilizzare una spazzola morbida per spazzolare via i frammenti di erba tagliata e lo sporco dalle lame.

AVVISO: Non utilizzare mai benzina, benzene, solventi, alcol o altre sostanze simili. In caso contrario, si potrebbero causare scolorimenti, deformazioni o crepe.

Conservazione

1. Scollegare il cavo di prolunga.

► Fig.29: 1. Cavo di prolunga

2. Aprire lo sportellino posteriore, quindi rimuovere il cestello erba.

► Fig.30: 1. Sportellino posteriore 2. Cestello erba

3. Allentare i dadi a manopola mentre si mantiene il manubrio, poi allargare leggermente il manubrio verso l'esterno, quindi piegare il manubrio.

► Fig.31: 1. Dado a manopola 2. Manubrio 3. Segno 4. Freccia

⚠ATTENZIONE: Quando si piega il manubrio, fare attenzione a non far restare incastrate la mano o le dita.

NOTA: Accertarsi che la freccia indichi il segno nella posizione più anteriore.

4. Serrare i dadi a manopola.

► Fig.32: 1. Dado a manopola

5. Aprire le leve, quindi posizionare il cavo sulla leva.

► Fig.33: 1. Leva 2. Cavo elettrico

6. Riportare le leve nella posizione di metà corsa, come indicato nella figura.

► Fig.34: 1. Leva

7. Piegare il manubrio.

► Fig.35: 1. Manubrio

8. Posizionare la macchina come indicato nella figura.

► Fig.36

⚠ATTENZIONE: Accertarsi di riporre questa macchina al chiuso e di collocarla su una superficie piana. In caso contrario, la macchina potrebbe cadere e causare lesioni personali.

È anche possibile conservare la macchina nel modo seguente.

1. Scollegare il cavo di prolunga.

► **Fig.37:** 1. Cavo di prolunga

2. Aprire lo sportellino posteriore, quindi rimuovere il cestello erba.

► **Fig.38:** 1. Sportellino posteriore 2. Cestello erba

3. Impostare l'altezza di taglio con la leva di regolazione.

Per i modelli ELM3320/ELM3720:

Impostare l'altezza di taglio su "1".

► **Fig.39:** 1. Leva di regolazione

Per il modello ELM4120:

Impostare l'altezza di taglio su "2".

► **Fig.40:** 1. Leva di regolazione

4. Allentare i dadi a manopola mentre si mantiene il manubrio, poi allargare leggermente il manubrio verso l'esterno, quindi piegare il manubrio.

► **Fig.41:** 1. Dado a manopola 2. Manubrio 3. Segno 4. Freccia

⚠ATTENZIONE: Quando si piega il manubrio, fare attenzione a non far restare incastrate la mano o le dita.

NOTA: Accertarsi che la freccia indichi il segno nella posizione più anteriore.

5. Serrare i dadi a manopola.

► **Fig.42:** 1. Dado a manopola

6. Posizionare la macchina come indicato nella figura.

► **Fig.43**

⚠ATTENZIONE: Accertarsi di riporre questa macchina al chiuso e di collocarla su una superficie piana. In caso contrario, la macchina potrebbe cadere e causare lesioni personali.

È anche possibile conservare la macchina ripiegando il manubrio.

⚠ATTENZIONE: Prima di aprire le leve, mantenere saldamente il manubrio superiore. In caso contrario, il manubrio potrebbe cadere e causare lesioni personali.

1. Aprire le leve mentre si mantiene il manubrio superiore.

► **Fig.44:** 1. Leva

2. Piegare il manubrio superiore.

► **Fig.45:** 1. Manubrio superiore

Sostituzione della lama del tosaerba

⚠ATTENZIONE: Non utilizzare chiavi diverse dalla chiave esagonale di serie, quando si intende sostituire la lama del tosaerba. L'utilizzo di una chiave diversa potrebbe portare a un serraggio eccessivo o a un allentamento, che potrebbero causare lesioni personali.

1. Scollegare il cavo di prolunga e mettere la macchina in posizione verticale. (Fare riferimento alle istruzioni per la conservazione).

2. Inserire il perno nel foro, quindi mantenere il manubrio con una mano e allentare il bullone con la chiave in senso antiorario.

► **Fig.46:** 1. Lama 2. Chiave 3. Perno

3. Rimuovere la lama del tosaerba.

Per il modello ELM3320

Rimuovere il bullone, la rondella, la lama del tosaerba e la staffa in quest'ordine.

► **Fig.47:** 1. Staffa 2. Lama del tosaerba 3. Rondella 4. Bullone

Per i modelli ELM3720/ELM4120

Rimuovere il bullone, la rondella, la lama del tosaerba, la staffa e il distanziatore in quest'ordine.

► **Fig.48:** 1. Distanziatore 2. Staffa 3. Lama del tosaerba 4. Rondella 5. Bullone

4. Montare una nuova lama per tosaerba, inserire il perno nel foro, quindi mantenere il manubrio con una mano e serrare saldamente il bullone con la chiave in senso orario.

► **Fig.49:** 1. Lama del tosaerba 2. Chiave 3. Perno

Cavo di prolunga

Vanno utilizzati solo cavi di prolunga per uso in esterni, in PVC o in gomma per utilizzi normali, con una sezione trasversale non inferiore a 1,5 mm².

Prima e durante l'uso, controllare i cavi di alimentazione e di prolunga alla ricerca di eventuali danni. Non utilizzare l'apparecchio qualora il cavo sia danneggiato o usurato. Tenere il cavo di prolunga lontano dagli elementi di taglio. Qualora il cavo venga danneggiato durante l'uso, scollegarlo immediatamente dall'alimentazione elettrica. Non toccare il cavo prima di aver scollegato l'alimentazione elettrica.

ACCESSORI OPZIONALI

⚠ATTENZIONE: Questi accessori o componenti aggiuntivi sono consigliati per l'uso con l'utensile Makita specificato nel presente manuale.

L'impiego di altri accessori o componenti aggiuntivi può costituire un rischio di lesioni alle persone.

Utilizzare gli accessori o i componenti aggiuntivi solo per il loro scopo prefissato.

Per ottenere ulteriori dettagli relativamente a questi accessori, rivolgersi a un centro di assistenza Makita.

- Lama del tosaerba

NOTA: Alcuni articoli nell'elenco potrebbero essere inclusi nell'imballaggio dell'utensile come accessori standard. Tali articoli potrebbero variare da nazione a nazione.

TECHNISCHE GEGEVENS

Model:	ELM3320	ELM3720	ELM4120	
Nullasttoerental	3.400 min ⁻¹			
Maaihoogte	20 mm - 55 mm		20 mm - 75 mm	
Maai breedte	330 mm	370 mm	410 mm	
Onderdeelnummer van vervangingsnijnblad van grasmaaier	YA00000731	YA00000732	YA00000733	
Afmetingen (l x b x h)	Tijdens gebruik (met grasmaand)	L: 1.040 mm t/m 1.230 mm B: 380 mm H: 870 mm t/m 1.110 mm	L: 1.140 mm t/m 1.330 mm B: 415 mm H: 890 mm t/m 1.120 mm	L: 1.255 mm t/m 1.470 mm B: 460 mm H: 955 mm t/m 1.230 mm
	Tijdens opslag (zonder grasmaand)	350 mm x 380 mm x 1.090 mm	335 mm x 415 mm x 1.090 mm	395 mm x 460 mm x 1.220 mm
Nettogewicht	10,2 kg	11,6 kg	14,5 kg	
Veiligheidsklasse	II/III			

- In verband met ononderbroken research en ontwikkeling behouden wij ons het recht voor bovenstaande technische gegevens te wijzigen zonder voorafgaande kennisgeving.
- De technische gegevens kunnen van land tot land verschillen.
- Het gewicht kan verschillen afhankelijk van de hulpstukken. De lichtste en zwaarste combinatie, volgens EPTA-procedure 01/2014, worden vermeld in de tabel.

Symbolen

Hieronder staan de symbolen die voor het gereedschap worden gebruikt. Zorg ervoor dat u weet wat ze betekenen alvorens het gereedschap te gebruiken.



Wees vooral voorzichtig en let goed op. Lees de gebruiksaanwijzing.



DUBBEL GEÏSOLEERD



Gevaar: let op weggeworpen voorwerpen. Omstanders moeten een afstand van zeker 15 meter bewaren tot het gereedschap.



Wacht totdat alle machineonderdelen volledig tot stilstand zijn gekomen voordat u deze aanraakt.



Houd het flexibele netsnoer uit de buurt van de snijbladen.



Let op de scherpe snijbladen. Het snijblad blijft nadraaien nadat de motor is uitgeschakeld. Koppel het netsnoer los van de machine vóór onderhoud en wanneer het netsnoer is beschadigd.



Het geluid van de machine is niet harder dan 96 dB.



Houd uw handen en voeten uit de buurt. Gebruik de grasmaaier niet wanneer de beschermkappen en hulpstukken niet goed op hun plek zitten.



Alleen voor EU-landen
Geef elektrisch gereedschap niet met het huisvuil mee! Volgens de Europese richtlijn inzake oude elektrische en elektronische apparaten en de toepassing daarvan binnen de nationale wetgeving, dient gebruikt elektrisch gereedschap gescheiden te worden ingezameld en te worden afgevoerd naar een recyclebedrijf dat voldoet aan de geldende milieueisen.

Gebruiksdoelinden

De machine is bedoeld om het gazon te maaien. Gebruik de machine niet voor andere doeleinden. Het gebruik van de machine bij andere werkzaamheden dan waarvoor deze bedoeld is, kan leiden tot gevaarlijke situaties.

Voeding

Het gereedschap mag alleen worden aangesloten op een voeding van dezelfde spanning als aangegeven op het typeplaatje, en kan alleen worden gebruikt op enkelfase-wisselstroom. Het gereedschap is dubbel-geïsoleerd en kan derhalve ook op een niet-geaard stopcontact worden aangesloten. Als het netsnoer beschadigd is, moet het worden vervangen door de fabrikant of haar servicecentrum om gevaarlijke situaties te voorkomen.

Voor openbare laagspanningsverdeelsystemen van tussen 220 V en 250 V

Het in- en uitschakelen van elektrische apparatuur veroorzaakt spanningsvariaties. Het gebruik van dit gereedschap terwijl het elektriciteitsnet in een slechte toestand verkeert, kan de werking van andere apparatuur nadelig beïnvloeden. Als de netweerstand gelijk is aan of lager is dan 0,425 ohm (voor ELM3720) of 0,427 ohm (voor ELM4120), mag u ervan uitgaan dat geen nadelige effecten optreden. Het stopcontact waarop dit gereedschap is aangesloten moet zijn beveiligd met een zekering of veiligheidsstroomonderbreker met trage uitschakeling.

Geluidsniveau

Toepasselijke norm : EN60335

Model	Geluidsdruk niveau		Geluidsvermogen niveau	
	L _{PA} (dB (A))	Onzekerheid K (dB (A))	L _{PA} (dB (A))	Onzekerheid K (dB (A))
ELM3320	83	3	94	2
ELM3720	83	3	94	1
ELM4120	84	3	93	2

OPMERKING: De opgegeven geluidsemissiewaarde(n) is/zijn gemeten volgens een standaardtestmethode en kan/kunnen worden gebruikt om dit gereedschap te vergelijken met andere gereedschappen.

OPMERKING: De opgegeven geluidsemissiewaarde(n) kan/kunnen ook worden gebruikt voor een beoordeling vooraf van de blootstelling.

⚠ WAARSCHUWING: Draag gehoorbescherming.

⚠ WAARSCHUWING: De geluidsemissie tijdens het gebruik van het elektrisch gereedschap in de praktijk kan verschillen van de opgegeven waarde(n) afhankelijk van de manier waarop het gereedschap wordt gebruikt, met name van het soort werkstuk waarmee wordt gewerkt.

⚠ WAARSCHUWING: Zorg ervoor dat veiligheidsmaatregelen worden getroffen ter bescherming van de gebruiker die zijn gebaseerd op een schatting van de blootstelling onder praktijkomstandigheden (rekening houdend met alle fasen van de bedrijfscyclus, zoals de tijdsduur gedurende welke het gereedschap is uitgeschakeld en stationair draait, naast de ingeschakelde tijdsduur).

Trilling

De totale trillingswaarde (triaxiale vectorsom) zoals vastgesteld volgens EN60335:

Model ELM3320

Trillingsemissie (a_h): 2,5 m/s² of lager
Onzekerheid (K): 1,5 m/s²

Model ELM3720

Trillingsemissie (a_h): 2,5 m/s² of lager
Onzekerheid (K): 1,5 m/s²

Model ELM4120

Trillingsemissie (a_h): 2,5 m/s² of lager
Onzekerheid (K): 1,5 m/s²

OPMERKING: De totale trillingswaarde(n) is/zijn gemeten volgens een standaardtestmethode en kan/kunnen worden gebruikt om dit gereedschap te vergelijken met andere gereedschappen.

OPMERKING: De opgegeven totale trillingswaarde(n) kan/kunnen ook worden gebruikt voor een beoordeling vooraf van de blootstelling.

⚠ WAARSCHUWING: De trillingsemissie tijdens het gebruik van het elektrisch gereedschap in de praktijk kan verschillen van de opgegeven waarde(n) afhankelijk van de manier waarop het gereedschap wordt gebruikt, met name van het soort werkstuk waarmee wordt gewerkt.

⚠ WAARSCHUWING: Zorg ervoor dat veiligheidsmaatregelen worden getroffen ter bescherming van de gebruiker die zijn gebaseerd op een schatting van de blootstelling onder praktijkomstandigheden (rekening houdend met alle fasen van de bedrijfscyclus, zoals de tijdsduur gedurende welke het gereedschap is uitgeschakeld en stationair draait, naast de ingeschakelde tijdsduur).

EG-verklaring van conformiteit

Alleen voor Europese landen

De EG-verklaring van conformiteit is bijgevoegd als Bijlage A bij deze gebruiksaanwijzing.

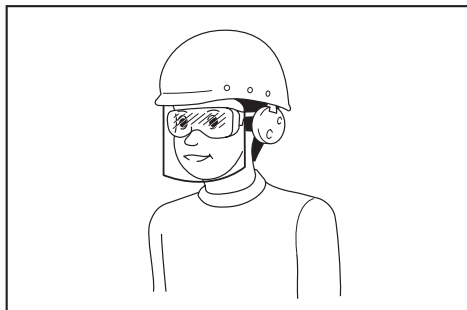
VEILIGHEIDSWAAR- SCHUWINGEN

BELANGRIJKE VEILIGHEIDSVORSCHRIFTEN

⚠ WAARSCHUWING: Lees alle veiligheids-
waarschuwingen en alle instructies. Het niet vol-
gen van de waarschuwingen en instructies kan leiden
tot elektrische schokken, brand en/of ernstig letsel.

Bewaar alle waarschuwingen en instructies om in de toekomst te kunnen raadplegen.

1. Houd toezicht op kinderen om te zorgen dat ze niet met de grasmaaier gaan spelen.
2. Laat nooit kinderen of anderen die niet vertrouwd zijn met deze instructies de grasmaaier bedienen. De toegestane leeftijd van gebruikers kan ook zijn vastgelegd in de plaatselijke wetgeving.
3. Gebruik de grasmaaier nooit met personen, in het bijzonder kinderen, of huisdieren dicht in de buurt.
4. Onthoud dat de bediener of gebruiker aansprakelijk is voor ongelukken met letsel aan andere personen of schade aan hun eigendommen.
5. Draag bij gebruik van de grasmaaier altijd stevig schoeisel en een lange broek. Gebruik de grasmaaier niet wanneer u op blote voeten loopt of open sandalen draagt. Draag geen juwelen of kleding die erg ruim valt of waarvan koordjes of bandjes los bungelen. Deze kunnen door de bewegende delen gegrepen worden.
6. Draag tijdens het gebruik van elektrisch gereedschap altijd een veiligheidsbril om uw ogen te beschermen tegen letsel. De bril moet voldoen aan ANSI Z87.1 in de Verenigde Staten, aan EN 166 in Europa, en aan AS/NZS 1336 in Australië en Nieuw-Zeeland. In Australië en Nieuw-Zeeland is het wettelijk verplicht om tevens een spatscherm te dragen om uw gezicht te beschermen.



- Het is de verantwoordelijkheid van de werkgever om ervoor te zorgen dat geschikte beschermingsmiddelen gebruikt worden door de gebruikers van het gereedschap en anderen in de onmiddellijke omgeving van de werkplek.
7. Controleer het netsnoer vóór gebruik op tekenen van beschadiging of veroudering. Als het snoer tijdens gebruik beschadigd raakt, moet u de stekker onmiddellijk uit het stopcontact trekken. Raak het snoer niet aan voordat u de stekker uit het stopcontact hebt getrokken. Gebruik de grasmaaier niet als het snoer beschadigd of versleten is.
 8. Gebruik de grasmaaier alleen bij daglicht of helder kunstlicht.
 9. Gebruik de grasmaaier niet wanneer het gras nat is.
 10. Gebruik de grasmaaier nooit in de regen.
 11. Houd de handgreep altijd stevig vast.
 12. Zorg dat u stevig staat op hellingen.
 13. Loop gewoon en ren niet.
 14. Raak het snijblad of andere scherpe randen niet aan bij het optillen of dragen van de grasmaaier.
 15. Lichamelijke conditie - Gebruik de grasmaaier niet onder de invloed van alcohol, stimulerende of verdovende middelen, of na het innemen van medicijnen.
 16. Houd uw handen en voeten uit de buurt van het draaiende snijblad. Let op - Het snijblad blijft nadraaien nadat de grasmaaier is uitgeschakeld.
 17. Gebruik uitsluitend de in deze handleiding door de fabrikant voorgeschreven snijbladen.
 18. Controleer vóór het gebruik zorgvuldig de snijbladen op barsten of andere beschadigingen. Vervang gebarsten of beschadigde snijbladen onmiddellijk.
 19. Zorg dat er geen andere personen in de buurt zijn voordat u met maaien begint. Stop de grasmaaier wanneer er iemand nadert.
 20. Verwijder vóór het maaien eerst obstakels en voorwerpen zoals stenen, ijzerdraad, glas, botten en grote takken uit uw werkgebied, om schade aan de grasmaaier en persoonlijk letsel te voorkomen.
 21. Stop het gebruik onmiddellijk wanneer u iets vreemds bemerkt. Schakel de grasmaaier uit en trek de stekker uit het stopcontact. Inspecteer vervolgens de grasmaaier.
 22. Probeer nooit om de wielhoogte bij te stellen terwijl de grasmaaier werkt.
 23. Laat de schakelhendel los en wacht tot het snijblad gestopt is voordat u een tuinpad, trottoir, oprijlaan, straat of weg oversteekt, of enig terrein waar grind ligt. Trek ook de stekker uit het stopcontact wanneer u de grasmaaier even achterlaat, wanneer u een eindje verder iets moet oprapen, of als u om enige andere reden afgeleid bent van waar u mee bezig was.
 24. Als het snijblad van de grasmaaier een voorwerp raakt, kan ernstig letsel worden veroorzaakt. Controleer altijd vóór het maaien het gras op voorwerpen die hinder of gevaar kunnen veroorzaken en verwijder ze op afdoende wijze.

25. Als de grasmaaier een vreemd voorwerp raakt, gaat u als volgt te werk:
 - Stop de grasmaaier, laat de schakelhendel los en wacht tot het snijblad helemaal tot stilstand is gekomen.
 - Trek de stekker uit het stopcontact.
 - Controleer de grasmaaier zorgvuldig op beschadigingen.
 - Vervang het snijblad als het op enige wijze beschadigd is. Repareer alle beschadigingen voordat u de grasmaaier opnieuw start en in gebruik neemt.
26. Controleer veelvuldig de grasmand op slijtage en beschadigingen. Voor de opslag, verzekert u uzelf ervan dat de grasmand leeg is. Vervang een versleten grasmand uit veiligheidsoverwegingen altijd door een origineel, nieuw vervangingsonderdeel.
27. Wees uiterst voorzichtig wanneer u de grasmaaier achteruit laat rijden of naar u toe trekt.
28. Stop de snijblad(en) wanneer u de grasmaaier moet kantelen om hem te verplaatsen over een ander oppervlak dan gras, en ook wanneer u de grasmaaier vervoert van of naar het te maaien terrein.
29. Gebruik de grasmaaier in geen geval wanneer de beveiligingskappen of schermen defect zijn, of wanneer beveiligingsdelen zoals de keerschotten en/of grasmand afwezig zijn.
30. Schakel de grasmaaier zorgvuldig in volgens de voorschriften, met uw voeten op veilige afstand van de snijblad(en).
31. Kantel de grasmaaier niet wanneer u de motor inschakelt, behalve wanneer het noodzakelijk is de grasmaaier iets te kantelen om de motor te starten. In dat geval kantelt u hem niet verder dan strikt noodzakelijk en tilt u alleen het van u afgerichte deel iets omhoog. Zorg er altijd voor dat u beide handen op de bedieningspositie houdt voordat u de machine weer op de grond laat zakken.
32. Start de grasmaaier niet terwijl u recht voor de uitwerpopening staat.
33. Plaats nooit uw handen of voeten onder of vlakbij de draaiende onderdelen. Blijf steeds uit de buurt van de uitwerpopening.
34. Vervoer de grasmaaier niet terwijl de grasmaaier is ingeschakeld.
35. Schakel de grasmaaier uit en trek de stekker uit het stopcontact. Let goed op dat alle bewegende onderdelen volledig tot stilstand zijn gekomen
 - wanneer u de grasmaaier achterlaat;
 - voor het opheffen van een blokkering of het vrijmaken van het uitwerpkanaal;
 - voor het controleren, reinigen of werken aan de grasmaaier;
 - na het raken van een vreemd voorwerp.
 Inspecteer de grasmaaier op schade en verricht de nodige reparaties alvorens u de grasmaaier opnieuw start en in gebruik neemt.
36. Als de grasmaaier abnormaal gaat trillen of schudden (onmiddellijk controleren)
 - inspecteer op schade;
 - vervang of repareer alle beschadigde delen;
- controleer op loszittende delen en zet die goed vast.
37. Wees uiterst voorzichtig tijdens het bijstellen van de grasmaaier om te voorkomen dat uw vingers bekneld raken tussen het draaiende snijblad en de vaste delen van de grasmaaier.
38. Maai altijd horizontaal langs een glooiing, nooit omhoog en omlaag. Wees uiterst voorzichtig wanneer u op een hellend vlak van richting verandert. Probeer niet om te maaien op al te steile hellingen.
39. Niet besproeien of afspoelen met een tuinslang; zorg dat er geen water in de motor en elektrische contacten komt.
40. Controleer veelvuldig of de snijbladbevestigingsbout stevig vast zit.
41. Zorg dat alle moeren, bouten en schroeven stevig zijn aangedraaid, om de machine veilig te kunnen gebruiken.
42. Wees voorzichtig omdat het draaien van één snijblad ertoe kan leiden dat de andere snijbladen gaan draaien.
43. Laat de grasmaaier altijd eerst afkoelen voordat u hem opbergt.
44. Onthoud goed bij onderhoud aan de snijbladen dat ook als de stroom is uitgeschakeld, de snijbladen nog wel kunnen bewegen.
45. Vervang alle versleten of beschadigde onderdelen, voor uw veiligheid. Gebruik uitsluitend originele vervangingsonderdelen en accessoires.
46. Laat uw elektrisch gereedschap repareren door een vakbekwame reparateur die gebruikmaakt van uitsluitend identieke vervangingsonderdelen. Hiermee bent u ervan verzekerd dat de veiligheid van het elektrisch gereedschap behouden blijft.
47. Volg de instructies voor het smeren en verwisselen van accessoires.
48. Houd de handgrepen droog, schoon en vrij van olie en vet.
49. Controleer of de spanning en frequentie van de netvoeding overeenkomen met de specificaties vermeld op het typeplaatje. Wij adviseren u een op reststroom werkende stroomonderbreker (aardlekstroomonderbreker) met een uitschakelstroomsterkte van 30 mA of minder, of een aardlekstroombeveiliging te gebruiken.
50. Deze machine kan worden gebruikt door kinderen van 8 jaar en ouder en door personen met een verminderd lichamelijk, zintuiglijk of geestelijk vermogen, of gebrek aan kennis en ervaring mits zij onder toezicht staan of instructies hebben gehad over het veilig gebruiken van de machine en de gevaren ervan kennen. Reinigen en onderhoud door de gebruiker mag niet worden uitgevoerd door kinderen zonder toezicht.

Resterende risico's

Ook als u dit apparaat bedient in overeenstemming met alle veiligheidsvoorschriften, blijft een potentieel risico op letsel en schade over. De volgende gevaren kunnen zich voordoen in verband met de constructie en het ontwerp van dit apparaat.

1. Gezondheidsproblemen voortvloeiend uit trillingsemissies als het apparaat langdurig wordt gebruikt, of niet goed wordt beheerd of niet correct wordt onderhouden.
2. Letsel en beschadiging van eigendommen als gevolg van defecte toepassingsgereedschappen of het plotseling stoten tegen verborgen voorwerpen tijdens gebruik.
3. Gevaar van letsel en schade aan eigendommen veroorzaakt door rondvliegende voorwerpen.

⚠ WAARSCHUWING: Het apparaat genereert tijdens gebruik een elektromagnetisch veld. Dit veld kan onder bepaalde omstandigheden de werking van actieve of passieve medische implantaten hinderen. Om het risico van ernstig persoonlijk en fataal letsel te verminderen, adviseren wij personen met medische implantaten hun arts en de fabrikant van het implantaat te raadplegen alvorens dit apparaat te bedienen.

BEWAAR DEZE VOORSCHRIFTEN.

⚠ WAARSCHUWING: Laat u NIET misleiden door een vals gevoel van comfort en bekendheid met het gereedschap (na veelvuldig gebruik) en neem alle veiligheidsvoorschriften van het betreffende gereedschap altijd strikt in acht.

VERKEERD GEBRUIK of het niet naleven van de veiligheidsvoorschriften in deze gebruiksaanwijzing kan leiden tot ernstige verwondingen.

MONTAGE

⚠ LET OP: Zorg altijd dat het gereedschap is uitgeschakeld en dat zijn stekker uit het stopcontact is verwijderd alvorens enig werk aan het gereedschap uit te voeren.

De handgreep aanbrengen

1. Haal het bovenste handgreep van het hoofddeel van de machine af.
▶ **Fig.1:** 1. Bovenste handgreep
2. Draai de vingermoeren los.
▶ **Fig.2:** 1. Vingermoer
3. Beweeg de handgreep iets naar buiten en klap de handgreep achterover.
▶ **Fig.3:** 1. Handgreep
4. Stel de hoogte van de handgreep in door de pijp uit te lijnen met de markering.
▶ **Fig.4:** 1. Vingermoer 2. Markering 3. Pijp
5. Draai de vingermoeren vast.
▶ **Fig.5:** 1. Vingermoer

6. Bevestig de bovenste handgreep door de hendels vanaf de buitenkant erdoor te steken en daarna de moeren aan te draaien met de sleutel om de handgreep vast te zetten.

▶ **Fig.6:** 1. Hendel 2. Moer

7. Bevestig het snoer met de klemmen, zoals aangegeven in de afbeelding.

▶ **Fig.7:** 1. Klem

De grasmand aanbrengen

1. Bevestig de pijpen van de grasmand aan het frame.

▶ **Fig.8:** 1. Pijp 2. Frame

2. Open de achterklep.

▶ **Fig.9:** 1. Achterklep

3. Haak de grasmand aan de achterkant van de machine.

▶ **Fig.10**

Om de grasmand te verwijderen, volgt u de procedure voor het aanbrengen in de omgekeerde volgorde.

Het verlengsnoer aansluiten

⚠ WAARSCHUWING: Wanneer u het verlengsnoer aansluit op de stekker aansluiting van de machine, zorgt u ervoor dat de schakelhendel is losgelaten en de stekker uit het stopcontact is getrokken.

⚠ WAARSCHUWING: Sluit het verlengsnoer niet aan en koppel het niet los met natte handen.

KENNISGEVING: Wanneer u het verlengsnoer aansluit op de stekker aansluiting van de machine, verzekert u zich ervan dat deze helemaal in de aansluiting wordt gestoken.

Wanneer u het verlengsnoer aansluit, haakt u het om de haak op de handgreep, zoals aangegeven in de afbeelding, om te voorkomen dat de stekker eruit wordt getrokken wanneer er grote spanning op het snoer staat.

▶ **Fig.11:** 1. Haak 2. Verlengsnoer

BESCHRIJVING VAN DE FUNCTIES

De maaihoogte instellen

⚠ WAARSCHUWING: Voordat u de maaihoogte instelt, trekt u de stekker van het verlengsnoer uit het stopcontact en controleert u of het snijblad volledig tot stilstand is gekomen.

⚠ WAARSCHUWING: Plaats bij het instellen van de maaihoogte nooit uw hand of voet onder de grasmaaierbehuizing.

U kunt de maaihoogte instellen binnen het bereik van 20 mm tot en met 55 mm (voor ELM3320/ELM3720) of 20 mm tot en met 75 mm (voor ELM4120). De maaihoogte kan worden ingesteld op 3 hoogten (voor ELM3320/ELM3720) of 7 hoogten (voor ELM4120).

Voor ELM3320/ELM3720

► Fig.12: 1. Instelhendel

Voor ELM4120

► Fig.13: 1. Instelhendel

Houd de handgreep met één hand vast en verplaats vervolgens de instelhendel met de andere hand.

► Fig.14: 1. Instelhendel

OPMERKING: Met een maaiproef in een minder opvallende plaats kunt u door uitproberen de gewenste hoogte vinden.

De trekkerschakelaar gebruiken

⚠ WAARSCHUWING: Voordat u het gereedschap aansluit, controleert u eerst of de schakelhendel goed werkt en bij loslaten automatisch naar de uit-stand terugkeert.

⚠ WAARSCHUWING: Omwille van uw veiligheid is dit gereedschap uitgerust met een uit-vergrendelknop die voorkomt dat het gereedschap onbedoeld wordt ingeschakeld. Gebruik de machine nooit wanneer hij start zodra u de schakelhendel intrekt zonder op de uit-vergrendelknop te drukken. Vraag uw plaatselijke Makita-servicecentrum om reparatie.

⚠ WAARSCHUWING: Omzeil nooit de vergrendelingsfunctie en tape de uit-vergrendelknop nooit ingedrukt vast.

KENNISGEVING: Trek niet met grote kracht aan de schakelhendel zonder de uit-vergrendelknop in te drukken. De schakelaar kan kapotgaan.

Om de machine te starten, drukt u op de uit-vergrendelknop en knijpt u vervolgens de schakelhendel in. Om de machine te stoppen, laat u de schakelhendel los.

► Fig.15: 1. Schakelhendel 2. Uit-vergrendelknop

Niveau-indicator van grasmand

De niveau-indicator van de grasmand staat tijdens het maaien open wanneer de grasmand nog niet vol is. Wanneer de grasmand vol is, is de niveau-indicator tijdens het maaien dicht. Als de grasmand vol is, maakt u hem leeg voordat u begint te maaien.

► Fig.16: 1. Niveau-indicator

► Fig.17: 1. Niveau-indicator

De hoogte van de handgreep afstellen

De hoogte van de handgreep kan worden afgesteld op drie hoogten. Draai de vingermoeren los terwijl u de handgreep vasthoudt, stel daarna de hoogte van de handgreep af door de pijl uit te lijnen met een van de markeringen, en draai tenslotte de vingermoeren vast.

► Fig.18: 1. Vingermoer 2. Markering 3. Pijl

Motorbeveiligingssysteem (overstroomrelais)

⚠ WAARSCHUWING: Als de machine plotseling stopt tijdens gebruik, laat u de schakelhendel los en koppelt u het verlengsnoer los. Anders kan de machine plotseling opnieuw starten en letsel veroorzaken.

⚠ LET OP: Voordat u een voorwerp verwijdert dat het snijblad blokkeert, trekt u handschoenen aan en koppelt u het verlengsnoer los van het stopcontact.

Als het gemaaid gras of vuil zich heeft opgehoopt aan de binnenkant van het maaidek, stopt de machine automatisch om de motor te beschermen (overstroomrelais). In dat geval trekt u de stekker van het verlengsnoer uit het stopcontact, verwijdert u vervolgens het materiaal dat de verstopping heeft veroorzaakt, en laat u de machine gedurende enkele minuten afkoelen voordat u de machine weer inschakelt.

OPMERKING: Het overstroomrelais kan in werking treden wanneer nat of lang gras verstrikt raakt binnenin het maaidek.

BEDIENING

Maaien

⚠ WAARSCHUWING: Voor het maaien verwijdert u alle takken en stenen van het te maaien terrein. Bovendien kunt u beter ook van tevoren alle onkruid uit het te maaien grasveld wieden.

► Fig.19

⚠ WAARSCHUWING: Draag bij het maaien altijd een beschermende bril of een veiligheidsbril met volledig gesloten zijkantbescherming.

⚠ LET OP: Als gemaaid gras of vreemde voorwerpen de binnenkant van het maaidek verstopen, moet u de stroom uitschakelen en daarna de stekker van het verlengsnoer uit het stopcontact trekken. Voordat u het gras of een vreemd voorwerp verwijdert, trekt u handschoenen aan.

⚠ LET OP: Vergeet niet de grasmand aan te brengen wanneer u de machine gebruikt.

KENNISGEVING: Gebruik deze machine alleen voor het maaien van een gazon. Maai geen onkruid met deze machine.

Houd bij het maaien de handgreep met beide handen stevig vast.

► Fig.20

De richtlijn voor de maaisnelheid is ongeveer één meter per vier seconden.

► Fig.21

Begin te maaien bij het stopcontact om er zeker van te zijn dat het verlengsnoer geen obstakel vormt.

► Fig.22: 1. Stopcontact 2. Verlengsnoer

Zorg ervoor dat het verlengsnoer niet onder de machine komt of eronder verstrikt raakt.

► Fig.23

► Fig.24

De lijnen op beide zijanten van het maaidek zijn richtlijnen voor de maaibreedte. Gebruik de lijnen als richtlijn bij het maaien in banen. Overlap elke baan met de helft of een derde van de breedte van de vorige baan om het gazon gelijkmatig te maaien.

► Fig.25: 1. Maaibreedte 2. Overlapping 3. Lijn

Verander de maairichting bij elke baan om te voorkomen dat het graspatroon in één richting wordt gevormd.

► Fig.26

Controleer regelmatig het gemaaide gras in de grasmand. Leeg de grasmand voordat deze vol raakt. Vergeet niet de machine uit te schakelen voorafgaand aan elke periodieke controle.

OPMERKING: Als u de grasmaaier gebruikt met een volle grasmand kan het snijblad niet soepel draaien, hetgeen de motor overmatig belast, waardoor de kans op defecten toeneemt.

Maaien van erg lang gras

Probeer niet om lang gras in één keer te maaien. Maai in plaats daarvan het gazon in meerdere maaibeurten. Laat een dag of twee tussen de maaibeurten, tot het gazon gelijkmatig kort is.

► Fig.27

OPMERKING: Als u erg lang gras in één keer helemaal kort maait, kan het gras afsterven. Tevens kan de binnenkant van het maaidek verstopt raken door het gemaaide gras.

Randen maaien

Wanneer u de randen van het gazon maait, rijdt u met de machine langs de rand van het gazon.

► Fig.28

ONDERHOUD

⚠ WAARSCHUWING: Voordat u de onderhoudswerkzaamheden uitvoert, trekt u de stekker van het verlengsnoer uit het stopcontact en controleert u of het snijblad volledig tot stilstand is gekomen.

⚠ LET OP: Draag altijd handschoenen tijdens het uitvoeren van onderhoudswerkzaamheden.

Om de VEILIGHEID en BETROUWBAARHEID van het gereedschap te handhaven, dienen alle reparaties, onderhoud of afstellingen te worden uitgevoerd bij een erkend Makita-servicecentrum of de Makita-fabriek, en altijd met gebruik van Makita-ervangingsonderdelen.

Onderhoud na het maaien

Veeg na het maaien de machine af met een droge doek of een doek bevochtigd met zeepwater. Gebruik ook een zachte borstel om grasmaaisel en vuil van het snijblad af te borstelen.

KENNISGEVING: Gebruik nooit benzine, wasbenzine, thinner, alcohol en dergelijke. Hierdoor kunnen verkleuring, vervormingen en barsten worden veroorzaakt.

Opbergen

1. Koppel het verlengsnoer los.

► Fig.29: 1. Verlengsnoer

2. Open de achterklep en verwijder de grasmand.

► Fig.30: 1. Achterklep 2. Grasmand

3. Draai de vingermoeren los terwijl u de handgreep vasthoudt, beweeg de handgreep vervolgens iets naar buiten en kantel daarna de handgreep voorover.

► Fig.31: 1. Vingermoer 2. Handgreep 3. Markering 4. Pijl

⚠ LET OP: Let erop dat bij het vasthouden van de handgreep, uw hand of vingers niet bekneld raken.

OPMERKING: Controleer of de pijl naar de markering wijst in de verst voorover gekantelde stand.

4. Draai de vingermoeren vast.

► Fig.32: 1. Vingermoer

5. Open de hendels en plaats daarna de kabel bovenop de hendel.

► Fig.33: 1. Hendel 2. Kabel

6. Draai de hendels terug tot halverwege, zoals aangegeven in de afbeelding.

► Fig.34: 1. Hendel

7. Vouw het handgreep dubbel.

► Fig.35: 1. Handgreep

8. Plaats de machine zoals aangegeven in de afbeelding.

► Fig.36

⚠ LET OP: Bewaar de machine binnen en op een vlakke ondergrond. Anders kan de machine vallen en letsel veroorzaken.

U kunt de machine ook als volgt opbergen.

1. Koppel het verlengsnoer los.
▶ **Fig.37:** 1. Verlengsnoer
2. Open de achterklep en verwijder de grasmand.
▶ **Fig.38:** 1. Achterklep 2. Grasmand
3. Stel de maaihoogte in met de instelhendel.

Voor ELM3320/ELM3720:

Stel de maaihoogte in op "1".
▶ **Fig.39:** 1. Instelhendel

Voor ELM4120:

Stel de maaihoogte in op "2".
▶ **Fig.40:** 1. Instelhendel

4. Draai de vingermoeren los terwijl u de handgreep vasthoudt, beweeg de handgreep vervolgens iets naar buiten en kantel daarna de handgreep voorover.
▶ **Fig.41:** 1. Vingermoer 2. Handgreep 3. Markering 4. Pijl

⚠ LET OP: Let erop dat bij het vasthouden van de handgreep, uw hand of vingers niet bekneld raken.

OPMERKING: Controleer of de pijl naar de markering wijst in de verst voorover gekantelde stand.

5. Draai de vingermoeren vast.
▶ **Fig.42:** 1. Vingermoer
6. Plaats de machine zoals aangegeven in de afbeelding.
▶ **Fig.43**

⚠ LET OP: Bewaar de machine binnen en op een vlakke ondergrond. Anders kan de machine vallen en letsel veroorzaken.

U kunt de machine ook opbergen door de handgreep dubbel te vouwen.

⚠ LET OP: Voordat u de hendels opent, houdt u het bovenste handgreep stevig vast. Anders kan de handgreep vallen en letsel veroorzaken.

1. Open de hendels terwijl u het bovenste handgreep vasthoudt.
▶ **Fig.44:** 1. Hendel
2. Vouw het bovenste handgreep dubbel.
▶ **Fig.45:** 1. Bovenste handgreep

Het snijblad van de grasmaaier vervangen

⚠ LET OP: Gebruik geen andere sleutel dan de standaard ringsleutel voor het vervangen van het snijblad van de grasmaaier. Als u een andere sleutel gebruikt, kan de bout te strak of niet strak genoeg worden aangedraaid, waardoor letsel kan worden veroorzaakt.

1. Koppel het verlengsnoer los en zet de machine rechtop. (Raadpleeg de instructies voor het opbergen.)
2. Steek de pen in het gat en houd daarna de handgreep met één hand vast en draai de bout linksom los met de sleutel.
▶ **Fig.46:** 1. Snijblad 2. Sleutel 3. Pen
3. Verwijder het snijblad van de grasmaaier.

Voor ELM3320

Verwijder de bout, de ring, het snijblad en de beugel, in die volgorde.

- ▶ **Fig.47:** 1. Beugel 2. Snijblad van de grasmaaier 3. Ring 4. Bout

Voor ELM3720/ELM4120

Verwijder de bout, de ring, het snijblad, de beugel en de afstandshouder, in die volgorde.

- ▶ **Fig.48:** 1. Afstandshouder 2. Beugel 3. Snijblad van de grasmaaier 4. Ring 5. Bout

4. Bevestig een nieuw snijblad van de grasmaaier, steek daarna de pen in het gat en houd vervolgens de handgreep met één hand vast en draai de bout stevig rechtsom vast met de sleutel.
▶ **Fig.49:** 1. Snijblad van de grasmaaier 2. Sleutel 3. Pen

Verlengsnoer

Gebruik uitsluitend een verlengsnoer voor gebruik buitenshuis, zoals een pvc-snoer of rubbersnoer van normale kwaliteit met een minimale draaddoorsnede van niet minder dan 1,5 mm².

Controleer vóór en tijdens gebruik het netsnoer en verlengsnoer op beschadigingen. Gebruik de machine niet als het snoer beschadigd of versleten is. Houd het verlengsnoer uit de buurt van het snijgarntuur. Als het snoer tijdens gebruik beschadigd raakt, trekt u onmiddellijk de stekker uit het stopcontact. Raak het snoer niet aan voordat u de stekker uit het stopcontact hebt getrokken.

OPTIONELE ACCESSOIRES

⚠ LET OP: Deze accessoires of hulpstukken worden aanbevolen voor gebruik met het Makita gereedschap dat in deze gebruiksaanwijzing is beschreven. Bij gebruik van andere accessoires of hulpstukken bestaat het gevaar van persoonlijke letsel. Gebruik de accessoires of hulpstukken uitsluitend voor hun bestemde doel.

Wenst u meer bijzonderheden over deze accessoires, neem dan contact op met het plaatselijke Makita-servicecentrum.

- Snijblad van de grasmaaier

OPMERKING: Sommige items op de lijst kunnen zijn inbegrepen in de doos van het gereedschap als standaard toebehoren. Deze kunnen van land tot land verschillen.

ESPECIFICACIONES

Modelo:		ELM3320	ELM3720	ELM4120
Velocidad en vacío		3.400 min ⁻¹		
Altura de corte		20 mm - 55 mm		20 mm - 75 mm
Anchura de corte		330 mm	370 mm	410 mm
Número de pieza de cuchilla de cortacésped de recambio		YA00000731	YA00000732	YA00000733
Dimensiones (La x An x Al)	Durante la operación (con cesta para hierba)	La: 1.040 mm a 1.230 mm An: 380 mm Al: 870 mm a 1.110 mm	La: 1.140 mm a 1.330 mm An: 415 mm Al: 890 mm a 1.120 mm	La: 1.255 mm a 1.470 mm An: 460 mm Al: 955 mm a 1.230 mm
	Cuando está almacenada (sin cesta para hierba)	350 mm x 380 mm x 1.090 mm	335 mm x 415 mm x 1.090 mm	395 mm x 460 mm x 1.220 mm
Peso neto		10,2 kg	11,6 kg	14,5 kg
Clase de seguridad		□/II		

- Debido a nuestro continuado programa de investigación y desarrollo, las especificaciones aquí dadas están sujetas a cambios sin previo aviso.
- Las especificaciones pueden ser diferentes de país a país.
- El peso puede variar dependiendo del accesorio(s). La combinación menos pesada y la más pesada, de acuerdo con el procedimiento EPTA 01/2014, se muestran en la tabla.

Símbolos

A continuación se muestran los símbolos utilizados con este equipo. Asegúrese de que entiende su significado antes de usarlo.

	Preste cuidado y atención especiales. Lea el manual de instrucciones.
	DOBLE AISLAMIENTO
	Peligro; sea consciente de que salen objetos lanzados. La distancia entre la herramienta y los transeúntes deberá ser de 15 m por lo menos.
	Espere hasta que todos los componentes de la máquina se hayan detenido completamente antes de tocarlos.
	Mantenga el cable flexible de suministro de alimentación alejado de las cuchillas de corte.
	Tenga cuidado de las cuchillas afiladas. Las cuchillas siguen girando después de apagar el motor. Retire el enchufe de la máquina antes de hacer el mantenimiento o si el cable se daña.
	El ruido de la máquina no es más de 96 dB.



Mantenga alejados las manos y los pies.
No utilice el cortacésped a menos que los protectores y accesorios estén montados debidamente en su sitio.



Solamente para países de la UE
¡No deseche los aparatos eléctricos junto con los residuos domésticos! De conformidad con la Directiva Europea, sobre residuos de aparatos eléctricos y electrónicos y su aplicación de acuerdo con la legislación nacional, los aparatos eléctricos cuya vida útil haya llegado a su fin deberán ser recogidos por separado y trasladados a una planta de reciclaje que cumpla con las exigencias ecológicas.

Uso previsto

La máquina ha sido prevista para segar césped. No utilice la máquina para otros fines. La utilización de la máquina para operaciones distintas al uso previsto podrá resultar en una situación peligrosa.

Alimentación

La herramienta deberá ser conectada solamente a una fuente de alimentación de la misma tensión que la indicada en la placa de características, y solamente puede ser utilizada con alimentación de CA monofásica. La herramienta tiene doble aislamiento y puede, por lo tanto, utilizarse también en tomas de corriente sin conductor de tierra.

Si el cable de suministro de alimentación se daña, deberá ser reemplazado por el fabricante o su agente de servicio para evitar un peligro.

Para sistemas de distribución públicos de baja tensión de entre 220 V y 250 V

Las operaciones del interruptor de aparatos eléctricos ocasionan fluctuaciones en la tensión. La operación de este dispositivo en condiciones desfavorables de la red eléctrica puede tener efectos adversos en la operación de otros equipos. Con una impedancia de la red eléctrica igual o menos de 0,425 ohmios (para ELM3720) o 0,427 ohmios (para ELM4120), se puede suponer que no habrá efectos negativos. La toma de corriente utilizada para este dispositivo deberá estar protegida con un fusible o disyuntor protector que tenga unas características de desconexión lenta.

Ruido

Estándar aplicable : EN60335

Modelo	Nivel de presión del sonido		Nivel de potencia del sonido	
	L _{PA} (dB(A))	Incertidumbre K (dB(A))	L _{PA} (dB(A))	Incertidumbre K (dB(A))
ELM3320	83	3	94	2
ELM3720	83	3	94	1
ELM4120	84	3	93	2

NOTA: El valor (o los valores) de emisión de ruido declarado ha sido medido de acuerdo con un método de prueba estándar y se puede utilizar para comparar una herramienta con otra.

NOTA: El valor (o valores) de emisión de ruido declarado también se puede utilizar en una valoración preliminar de exposición.

⚠ ADVERTENCIA: Póngase protectores para oídos.

⚠ ADVERTENCIA: La emisión de ruido durante la utilización real de la herramienta eléctrica puede variar del valor (o los valores) de emisión declarado dependiendo de las formas en las que la herramienta sea utilizada, especialmente qué tipo de pieza de trabajo se procesa.

⚠ ADVERTENCIA: Asegúrese de identificar medidas de seguridad para proteger al operario que estén basadas en una estimación de la exposición en las condiciones reales de utilización (teniendo en cuenta todas las partes del ciclo operativo como las veces cuando la herramienta está apagada y cuando está funcionando en vacío además del tiempo de gatillo).

Vibración

El valor total de la vibración (suma de vectores triaxiales) determinado de acuerdo con la norma EN60335:

Modelo ELM3320

Emisión de vibración (a_{h1}) : 2,5 m/s² o menos
Error (K) : 1,5 m/s²

Modelo ELM3720

Emisión de vibración (a_{h1}) : 2,5 m/s² o menos
Error (K) : 1,5 m/s²

Modelo ELM4120

Emisión de vibración (a_{h1}) : 2,5 m/s² o menos
Error (K) : 1,5 m/s²

NOTA: El valor (o los valores) total de emisión de vibración declarado ha sido medido de acuerdo con un método de prueba estándar y se puede utilizar para comparar una herramienta con otra.

NOTA: El valor (o los valores) total de emisión de vibración declarado también se puede utilizar en una valoración preliminar de exposición.

⚠ ADVERTENCIA: La emisión de vibración durante la utilización real de la herramienta eléctrica puede variar del valor (o los valores) de emisión declarado dependiendo de las formas en las que la herramienta sea utilizada, especialmente qué tipo de pieza de trabajo se procesa.

⚠ ADVERTENCIA: Asegúrese de identificar medidas de seguridad para proteger al operario que estén basadas en una estimación de la exposición en las condiciones reales de utilización (teniendo en cuenta todas las partes del ciclo operativo como las veces cuando la herramienta está apagada y cuando está funcionando en vacío además del tiempo de gatillo).

Declaración CE de conformidad

Para países europeos solamente

La declaración CE de conformidad está incluida como Anexo A de esta manual de instrucciones.

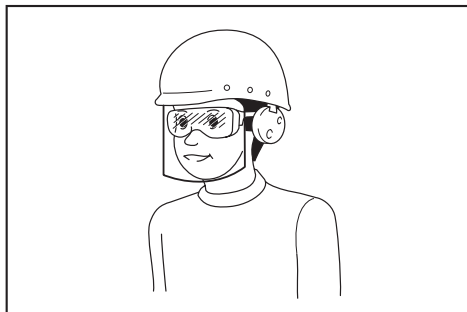
ADVERTENCIAS DE SEGURIDAD

INSTRUCCIONES DE SEGURIDAD IMPORTANTES

⚠️ ADVERTENCIA: Lea todas las advertencias de seguridad y todas las instrucciones. Si no sigue las advertencias e instrucciones podrá resultar en una descarga eléctrica, un incendio y/o heridas graves.

Guarde todas las advertencias e instrucciones para futuras referencias.

1. Los niños pequeños deberán ser supervisados para asegurarse de que no juegan con el cortacésped.
2. No permita nunca que niños o gente no familiarizada con estas instrucciones utilicen el cortacésped. Los reglamentos locales pueden restringir la edad del operario.
3. No utilice nunca el cortacésped cuando haya gente, especialmente niños o animales domésticos cerca.
4. Tenga en cuenta que el operario o usuario es el responsable de los accidentes o riesgos ocasionados a otras personas o propiedades de las mismas.
5. Mientras utiliza el cortacésped póngase siempre calzado robusto y pantalones largos. No utilice el cortacésped cuando esté descalzo o lleve puestas sandalias abiertas. Evite ponerse ropa o joyas que queden holgadas o que tengan cordones colgando o corbatas. Pueden engancharse en las piezas que se mueven.
6. Póngase siempre gafas de protección para proteger sus ojos de heridas cuando utilice herramientas eléctricas. Las gafas de protección deben cumplir con las normas ANSI Z87.1 en los Estados Unidos de América, EN 166 en Europa, o AS/NZS 1336 en Australia/Nueva Zelanda. En Australia/Nueva Zelanda, se requiere, también, legalmente ponerse pantalla facial para proteger la cara.



Es una responsabilidad del empresario imponer a los operarios de la herramienta y a otras personas en las inmediaciones del área de trabajo el uso de equipos de protección de seguridad apropiados.

7. Antes de la utilización, compruebe el cable de alimentación por si hay indicios de daños o envejecimiento. Si el cable se daña durante la utilización, desconéctelo del suministro de alimentación inmediatamente. No toque el cable antes de desconectar el suministro de alimentación. No utilice el cortacésped si el cable está dañado o desgastado.
8. Utilice el cortacésped solamente en luz diurna o con buena luz artificial.
9. Evite utilizar el cortacésped en hierba mojada.
10. No utilice nunca el cortacésped en la lluvia.
11. Sujete siempre firmemente el asidero.
12. Asegúrese siempre de que en pendientes apoya bien los pies.
13. Camine, nunca corra.
14. No agarre las cuchillas de corte o bordes de corte expuestos cuando recoja o sujete el cortacésped.
15. Condición física - No utilice el cortacésped bajo la influencia de drogas, alcohol, o cualquier medicación.
16. Mantenga las manos y los pies alejados de las cuchillas giratorias. Precaución - Las cuchillas siguen girando por inercia después de apagar el cortacésped.
17. Utilice solamente las cuchillas genuinas del fabricante especificadas en este manual.
18. Compruebe las cuchillas cuidadosamente por si tienen grietas o daños antes de comenzar la operación. Reemplace las cuchillas agrietadas o dañadas inmediatamente.
19. Asegúrese de que el área está despejada de gente antes de segar. Detenga el cortacésped si entra alguien en el área.
20. Retire los objetos extraños tales como rocas, alambres, botellas, huesos y palos largos del área de trabajo antes de segar para evitar heridas personales o daños al cortacésped.
21. Detenga la operación inmediatamente si nota algo inusual. Apague el cortacésped y desenchufe el cable de alimentación del suministro de alimentación. Después inspeccione el cortacésped.
22. No intente nunca realizar el ajuste de altura de las ruedas mientras el cortacésped está en marcha.
23. Suelte la palanca interruptor y espere a que la cuchilla deje de girar antes de cruzar caminos de acceso, paseos, carreteras, o cualquier área cubierta con gravilla. También desenchufe el cable de alimentación del suministro de alimentación si deja el cortacésped, si quiere recoger o retirar algo que está en su camino, o por cualquier otra razón que pueda distraerle de lo que está haciendo.
24. Los objetos golpeados por la cuchilla de cortacésped pueden ocasionar graves heridas personales. El césped deberá ser siempre examinado atentamente y despejado de todos los objetos antes de cada siega.

25. Si el cortacésped golpea un objeto extraño, siga estos pasos:
 - Detenga el cortacésped, suelte la palanca interruptor y espere hasta que la cuchilla se haya detenido completamente.
 - Desenchufe el cable de alimentación del suministro de alimentación.
 - Inspeccione detenidamente el cortacésped por si tiene algún daño.
 - Reemplace la cuchilla si tiene cualquier tipo de daño. Repare cualquier daño antes de volver a poner en marcha y continuar utilizando el cortacésped.
26. Compruebe la cesta para hierba con frecuencia por si está desgastada o deteriorada. Al almacenar, asegúrese siempre de que la cesta para hierba está vacía. Reemplace la cesta para hierba si está gastada con una de recambio nueva de fábrica por seguridad.
27. Utilice mucha precaución cuando retroceda o tire del cortacésped hacia usted.
28. Detenga la(s) cuchilla(s) si el cortacésped tiene que ser inclinado para transportarlo cuando atravesase superficies que no sean de hierba, y cuando transporte el cortacésped hasta o desde el área donde lo utiliza.
29. No utilice nunca el cortacésped con protectores o escudos defectuosos, o sin los dispositivos de seguridad, por ejemplo, deflectores y/o la cesta para hierba, en su sitio.
30. Encienda el cortacésped con cuidado de acuerdo con las instrucciones y con los pies bien alejados de la(s) cuchilla(s).
31. No incline el cortacésped cuando vaya a encender el motor, excepto si el cortacésped tiene que ser inclinado para arrancarlo. En este caso, no lo incline más de lo absolutamente necesario y levante solamente la parte que está alejada del operario. Asegúrese siempre de que ambas manos están en la posición de operación antes de volver a poner el aparato en el suelo.
32. No ponga en marcha el cortacésped cuando se encuentre enfrente de la abertura de descarga.
33. No ponga las manos ni los pies cerca o debajo de las piezas giratorias. Manténgase alejado de la abertura de descarga en todo momento.
34. No transporte el cortacésped mientras el cortacésped está encendido.
35. Detenga el cortacésped, y retire la clavija del receptáculo de alimentación. Asegúrese de que todas las piezas que se mueven se hayan parado completamente
 - siempre que vaya a dejar el cortacésped,
 - antes de retirar obstrucciones o desatascar la tolva,
 - antes de comprobar, limpiar o trabajar en el cortacésped,
 - después de haber golpeado un objeto extraño. Inspeccione el cortacésped por si está dañado y haga las reparaciones antes de volver a poner en marcha y utilizar el cortacésped.
36. Si el cortacésped comienza a vibrar anormalmente (compruebe inmediatamente)
 - inspeccione por si hay daños,
 - reemplace o repare cualquier pieza dañada,
 - compruebe si hay alguna pieza floja y apriétela.
37. Tenga cuidado durante el ajuste del cortacésped para evitar pillarse los dedos entre las cuchillas que se mueven y las piezas fijas del cortacésped.
38. Siegue a través de la cara de la pendiente, nunca de arriba a abajo. Extreme las precauciones cuando cambie de dirección en pendientes. No siegue en cuestas empinadas excesivamente.
39. No lave la herramienta con una manguera; evite mojar el motor y las conexiones eléctricas.
40. Compruebe el perno de montaje de la cuchilla a intervalos frecuentes para ver que está bien apretado.
41. Mantenga todas las tuercas, pernos y tornillos apretados para asegurarse de que el equipo está en condiciones de trabajo seguras.
42. Tenga cuidado porque al girar una cuchilla puede ocasionar el giro de otras cuchillas.
43. Deje siempre que el cortacésped se enfríe antes de almacenarlo.
44. Cuando haga el mantenimiento a las cuchillas, sea consciente de que, aunque la fuente de alimentación esté apagada, las cuchillas todavía se pueden mover.
45. Reemplace las piezas desgastadas o dañadas por motivos de seguridad. Utilice solamente piezas de repuesto y accesorios genuinos.
46. Haga que su herramienta eléctrica sea servida por un reparador técnico cualificado utilizando solamente piezas de repuesto idénticas. Esto garantizará que se mantendrá la seguridad de la herramienta eléctrica.
47. Siga la instrucción para lubricar y cambiar los accesorios.
48. Mantenga los asideros secos, limpios y libres de aceite y grasa.
49. Compruebe para asegurarse de que la tensión y la frecuencia del suministro de alimentación corresponden con las especificaciones ofrecidas en la placa de identificación. Se recomienda utilizar un disyuntor de cortocircuito de funcionamiento por corriente residual (interruptor diferencial) con una corriente de desconexión de 30 mA o menos, o un protector de fuga de corriente a tierra.
50. Esta máquina puede ser utilizada por niños de 8 o más años de edad y personas con capacidades físicas, sensoriales o mentales mermadas, o sin experiencia y conocimiento, si han recibido supervisión o instrucción para el uso de la máquina de forma segura y son conscientes del peligro que implica. La limpieza y mantenimiento que debe hacer el usuario no deben ser realizados por niños sin supervisión.

Riesgos residuales

Aunque utilice este producto de acuerdo con todos los requisitos de seguridad, todavía hay riesgos potenciales de heridas y daños. Los peligros siguientes pueden surgir con respecto a la estructura y el diseño de este producto.

1. Defectos de salud como resultado de la emisión de vibración si el producto se utiliza durante periodos de tiempo largos o no se maneja debidamente y se realiza el mantenimiento correctamente.
2. Heridas y daños a la propiedad debidos al uso de implementos rotos o al impacto súbito de objetos ocultos durante la utilización.
3. Peligro de heridas y daños a la propiedad ocasionados por objetos que salen despedidos.

⚠ADVERTENCIA: Este producto produce un campo electromagnético durante la operación. Este campo puede, en algunas circunstancias, interferir con implantes médicos activos o pasivos. Para reducir el riesgo de heridas graves o fatales, se recomienda que las personas con implantes médicos consulten con su médico y el fabricante del implemento médico antes de utilizar este producto.

GUARDE ESTAS INSTRUCCIONES.

⚠ADVERTENCIA: NO deje que la comodidad o familiaridad con el producto (a base de utilizarlo repetidamente) sustituya la estricta observancia de las normas de seguridad para el producto en cuestión.

El MAL USO o el no seguir las normas de seguridad establecidas en este manual de instrucciones podrá ocasionar graves heridas personales.

MONTAJE

⚠PRECAUCIÓN: Asegúrese siempre de que la herramienta está apagada y desenchufada antes de realizar cualquier trabajo en la herramienta.

Montaje del asidero

1. Descargue el asidero superior de la unidad principal de la máquina.
► **Fig.1:** 1. Asidero superior
2. Afloje las tuercas manuales.
► **Fig.2:** 1. Tuerca manual
3. Extienda el asidero hacia afuera un poco, y después suba el asidero.
► **Fig.3:** 1. Asidero
4. Ajuste la altura del asidero alineando la flecha con la marca.
► **Fig.4:** 1. Tuerca manual 2. Marca 3. Flecha
5. Apriete las tuercas manuales.
► **Fig.5:** 1. Tuerca manual

6. Coloque el asidero superior insertando las palancas desde la parte exterior del asidero, y después apriete las tuercas con la llave para sujetar el asidero.
► **Fig.6:** 1. Palanca 2. Tuerca
7. Sujete los cables con las abrazaderas como se muestra en la figura.
► **Fig.7:** 1. Abrazadera

Instalación de la cesta para hierba

1. Coloque los tubos de la cesta para hierba en el bastidor.
► **Fig.8:** 1. Tubo 2. Bastidor
2. Abra la cubierta posterior.
► **Fig.9:** 1. Cubierta posterior
3. Enganche la cesta para hierba en la parte posterior de la máquina.
► **Fig.10**

Para retirar la cesta para hierba, realice el procedimiento de instalación a la inversa.

Conexión del cable de extensión

⚠ADVERTENCIA: Cuando conecte el cable de extensión al enchufe eléctrico de la máquina, asegúrese de que la palanca interruptor está liberada y que el cable está desenchufado del suministro de alimentación.

⚠ADVERTENCIA: No conecte o desconecte el cable de extensión con las manos mojadas.

AVISO: Cuando conecte el cable de extensión al enchufe eléctrico de la máquina, asegúrese de insertarlo completamente en el receptáculo de alimentación.

Cuando conecte el cable de extensión, engánchelo en el gancho del asidero como se muestra en la figura para evitar que se desenchufe inadvertidamente por una tirantez excesiva en el enchufe.

- **Fig.11:** 1. Gancho 2. Cable de extensión

DESCRIPCIÓN DEL FUNCIONAMIENTO

Ajuste de la altura de siega

⚠ADVERTENCIA: Antes de ajustar la altura de siega, desenchufe el cable de extensión del suministro de alimentación, y compruebe que las cuchillas se han detenido completamente.

⚠ADVERTENCIA: No ponga nunca su mano o pierna debajo del cuerpo del cortacésped cuando ajuste la altura de siega.

Puede ajustar la altura de siega en el rango de 20 mm a 55 mm (para ELM3320/ELM3720) o 20 mm a 75 mm (para ELM4120). La altura de siega se puede ajustar en 3 niveles (para ELM3320/ELM3720) o 7 niveles (para ELM4120).

Para ELM3320/ELM3720

► Fig.12: 1. Palanca de ajuste

Para ELM4120

► Fig.13: 1. Palanca de ajuste

Sujete el asidero con una mano, y después mueva la palanca de ajuste con la otra mano.

► Fig.14: 1. Palanca de ajuste

NOTA: Realice una prueba segando hierba en un lugar menos notorio para obtener la altura deseada.

Accionamiento del interruptor

⚠ADVERTENCIA: Antes de enchufar la herramienta, compruebe siempre que la palanca interruptor se acciona debidamente y que vuelve a la posición "apagada" cuando la suelta.

⚠ADVERTENCIA: Por su propia seguridad, esta máquina está equipada con el botón de desbloqueo que evita que la herramienta sea puesta en marcha involuntariamente. No utilice nunca la máquina si se pone en marcha cuando usted aprieta la palanca interruptor sin presionar el botón de desbloqueo. Pida a su centro de servicio Makita local que le hagan las reparaciones.

⚠ADVERTENCIA: No inhabilite nunca la función de bloqueo o sujete, apretado con cinta adhesiva, el botón de desbloqueo.

AVISO: No apriete con fuerza la palanca interruptor sin presionar el botón de desbloqueo. El interruptor podrá romperse.

Para poner en marcha la máquina, presione el botón de desbloqueo, y después oprima la palanca interruptor. Para detener la máquina, suelte la palanca interruptor.

► Fig.15: 1. Palanca interruptor 2. Botón de desbloqueo

Indicador de nivel de la cesta para hierba

El indicador de nivel de la cesta para hierba se abre durante la siega si la cesta para hierba no está llena. Si la cesta para hierba está llena, el indicador de nivel se cierra durante la siega. Si está llena, vacíe la cesta para hierba antes de comenzar a segar.

► Fig.16: 1. Indicador de nivel

► Fig.17: 1. Indicador de nivel

Ajuste de la altura del asidero

La altura del asidero se puede ajustar en tres niveles. Afloje las tuercas manuales mientras sujeta el asidero, después ajuste la altura del asidero alineando la flecha con una de las marcas, y después apriete las tuercas manuales.

► Fig.18: 1. Tuerca manual 2. Marca 3. Flecha

Sistema de protección del motor (Relé de sobrecorriente)

⚠ADVERTENCIA: Si la máquina se detiene repentinamente mientras la está utilizando, libere la palanca interruptor y desenchufe el cable de extensión. De lo contrario, la máquina podrá volver a ponerse en marcha repentinamente y ocasionar heridas.

⚠PRECAUCIÓN: Antes de retirar un objeto que está atascando la cuchilla, asegúrese de ponerse guantes y desenchufar el cable de extensión del receptáculo de alimentación.

Si la hierba cortada o la suciedad atasca el interior del cuerpo principal, la máquina se para automáticamente para proteger el motor (relé de sobrecorriente). En este caso, desenchufe el cable de extensión del receptáculo de alimentación, después retire el material que ocasiona el atasco, y después deje que la máquina se enfríe durante unos pocos minutos antes de volver a encenderla.

NOTA: El relé de sobrecorriente se puede activar cuando se engancha hierba mojada o larga dentro del cuerpo principal.

OPERACIÓN

Siega

⚠ADVERTENCIA: Antes de segar, retire los palos y piedras del área de la siega. Además, retire cualquier maleza del área de la siega de antemano.

► Fig.19

⚠ADVERTENCIA: Póngase siempre gafas de seguridad o gafas de protección con escudos laterales cuando utilice el cortacésped.

⚠PRECAUCIÓN: Si la hierba cortada o un objeto extraño bloquea el interior del cuerpo del cortacésped, asegúrese de desconectar la alimentación, y después desenchufe el cable de extensión del receptáculo de alimentación. Antes de retirar la hierba u objeto extraño, asegúrese de ponerse guantes.

⚠PRECAUCIÓN: Asegúrese de instalar la cesta para hierba cuando utilice la máquina.

AVISO: Utilice esta máquina solamente para segar césped. No siegue maleza con esta máquina.

Sujete firmemente el asidero con ambas manos cuando siegue.
► **Fig.20**

La pauta de la velocidad de segado es aproximadamente de un metro por cada cuatro segundos.
► **Fig.21**

Comience a segar cerca del receptáculo de alimentación para asegurarse de que el cable de extensión no se convierte en un obstáculo.

► **Fig.22:** 1. Receptáculo de alimentación 2. Cable de extensión

No permita que el cable de extensión pase por debajo de la máquina o se enrede bajo ella.

► **Fig.23**

► **Fig.24**

Las líneas a ambos lados del cuerpo principal sirven de guías para la anchura del segado. Utilizando las líneas como guías, siegue en franjas. Solape la mitad o un tercio de la franja anterior para segar el césped uniformemente.

► **Fig.25:** 1. Anchura de segado 2. Área de solapamiento 3. Línea

Cambie la dirección del segado cada vez para evitar que el patrón de crecimiento de la hierba se forme en una dirección solamente.

► **Fig.26**

Compruebe periódicamente la cesta para hierba para ver la hierba segada. Vacíe la cesta antes de que se llene. Antes de cada comprobación periódica, asegúrese de detener la máquina.

NOTA: La utilización del cortacésped con la cesta para hierba llena impide el giro uniforme de la cuchilla y añade una carga extra al motor, que puede ocasionar una avería.

Siega de un césped largo

No intente cortar césped largo todo de una vez. En su lugar, siegue el césped en varios pasos. Deje un día o dos entre las siegas hasta que el césped esté uniformemente corto.

► **Fig.27**

NOTA: El segar hierba larga a una longitud corta de una sola vez puede ocasionar que la hierba se muera. La hierba cortada también podrá bloquear el interior del cuerpo del cortacésped.

Segado de bordes

Cuando siegue en los bordes, asegúrese de mover la máquina a lo largo del borde.

► **Fig.28**

MANTENIMIENTO

⚠ADVERTENCIA: Antes de realizar el mantenimiento, desenchufe el cable de extensión del suministro de alimentación, y confirme que las cuchillas se han detenido completamente.

⚠PRECAUCIÓN: Cuando realice el mantenimiento, póngase siempre guantes.

Para mantener la SEGURIDAD y FIABILIDAD del producto, las reparaciones, y cualquier otra tarea de mantenimiento o ajuste deberán ser realizadas en centros de servicio o de fábrica autorizados por Makita, empleando siempre repuestos Makita.

Mantenimiento después de segar

Después de segar, limpie la máquina con un paño seco o con un paño sumergido en agua jabonosa. Además, utilice un cepillo suave para retirar los restos de hierba y suciedad de las cuchillas.

AVISO: No utilice nunca gasolina, bencina, disolvente, alcohol o similares. Podría producir descoloración, deformación o grietas.

Almacenamiento

1. Desconecte el cable de extensión.

► **Fig.29:** 1. Cable de extensión

2. Abra la cubierta posterior, y después retire la cesta para hierba.

► **Fig.30:** 1. Cubierta posterior 2. Cesta para hierba

3. Afloje las tuercas manuales mientras sujeta el asidero, después extienda el asidero hacia afuera un poco, y después pliegue el asidero.

► **Fig.31:** 1. Tuerca manual 2. Asidero 3. Marca 4. Flecha

⚠PRECAUCIÓN: Cuando pliegue el asidero, tenga cuidado de no pillarse la mano o los dedos.

NOTA: Asegúrese de que la flecha indica la marca en la posición extrema delantera.

4. Apriete las tuercas manuales.

► **Fig.32:** 1. Tuerca manual

5. Abra las palancas, y después ponga el cable sobre la palanca.

► **Fig.33:** 1. Palanca 2. Cable

6. Devuelva las palancas a la posición intermedia como se muestra en la figura.

► **Fig.34:** 1. Palanca

7. Pliegue el asidero.

► **Fig.35:** 1. Asidero

8. Ponga la máquina como se muestra en la figura.

► **Fig.36**

⚠PRECAUCIÓN: Asegúrese de almacenar la máquina en interiores y colocarla sobre una superficie plana. De lo contrario, la máquina podrá caerse y ocasionar heridas.

También puede almacenar la máquina de la forma siguiente.

1. Desconecte el cable de extensión.

► **Fig.37:** 1. Cable de extensión

2. Abra la cubierta posterior, y después retire la cesta para hierba.

► **Fig.38:** 1. Cubierta posterior 2. Cesta para hierba

3. Ajuste la altura de siega con la palanca de ajuste.

Para ELM3320/ELM3720:

Ajuste la altura de siega a "1".

► **Fig.39:** 1. Palanca de ajuste

Para ELM4120:

Ajuste la altura de siega a "2".

► **Fig.40:** 1. Palanca de ajuste

4. Afloje las tuercas manuales mientras sujeta el asidero, después extienda el asidero hacia afuera un poco, y después pliegue el asidero.

► **Fig.41:** 1. Tuerca manual 2. Asidero 3. Marca 4. Flecha

⚠PRECAUCIÓN: Cuando pliegue el asidero, tenga cuidado de no pillarse la mano o los dedos.

NOTA: Asegúrese de que la flecha indica la marca en la posición extrema delantera.

5. Apriete las tuercas manuales.

► **Fig.42:** 1. Tuerca manual

6. Ponga la máquina como se muestra en la figura.

► **Fig.43**

⚠PRECAUCIÓN: Asegúrese de almacenar la máquina en interiores y colocarla sobre una superficie plana. De lo contrario, la máquina podrá caerse y ocasionar heridas.

También puede almacenar la máquina plegando el asidero.

⚠PRECAUCIÓN: Antes de abrir las palancas, sujete el asidero superior firmemente. De lo contrario, el asidero podrá caerse y ocasionar heridas.

1. Abra las palancas mientras sujeta el asidero superior.

► **Fig.44:** 1. Palanca

2. Pliegue el asidero superior.

► **Fig.45:** 1. Asidero superior

Reemplazo de la cuchilla de cortacésped

⚠PRECAUCIÓN: No utilice ninguna llave distinta de la llave hexagonal estándar cuando reemplace la cuchilla de cortacésped. La utilización de una llave diferente puede dar lugar a un apriete excesivo o flojo, que puede ocasionar heridas.

1. Desenchufe el cable de extensión y ponga la máquina de pie. (Consulte las instrucciones para el almacenamiento).
2. Inserte el pasador en el orificio, y después sujete el asidero con una mano y afloje el perno con la llave girando hacia la izquierda.
► **Fig.46:** 1. Cuchilla 2. Llave 3. Pasador
3. Retire la cuchilla de cortacésped.

Para ELM3320

Retire el perno, la arandela, cuchilla de cortacésped, y el soporte en orden.

► **Fig.47:** 1. Soporte 2. Cuchilla de cortacésped 3. Arandela 4. Perno

Para ELM3720/ELM4120

Retire el perno, la arandela, cuchilla de cortacésped, soporte, y espaciador en orden.

► **Fig.48:** 1. Espaciador 2. Soporte 3. Cuchilla de cortacésped 4. Arandela 5. Perno

4. Coloque una cuchilla de cortacésped nueva, después inserte el pasador en el orificio, y después sujete el asidero con una mano y apriete el perno con la llave firmemente girando hacia la derecha.

► **Fig.49:** 1. Cuchilla de cortacésped 2. Llave 3. Pasador

Cable de extensión

Se deben utilizar solamente cables de extensión para uso en exteriores, cable de PVC o de goma para uso normal con una área de sección transversal de no menos de 1,5 mm².

Antes y durante la utilización, compruebe los cables de suministro y de extensión por si están dañados. No utilice el aparato si el cable está dañado o desgastado. Mantenga el cable de extensión alejado de elementos de corte. Si el cable se daña durante la utilización, desconecte el cable del suministro de alimentación inmediatamente. No toque el cable antes de desconectar el suministro de alimentación.

ACCESORIOS OPCIONALES

⚠PRECAUCIÓN: Estos accesorios o aditamentos están recomendados para su uso con la herramienta Makita especificada en este manual. El uso de cualquier otro accesorio o aditamento puede suponer un riesgo de heridas personales. Utilice el accesorio o aditamento solamente con la finalidad indicada para el mismo.

Si necesita cualquier ayuda para más detalles en relación con estos accesorios, pregunte al centro de servicio Makita local.

- Cuchilla de cortacésped

NOTA: Algunos elementos de la lista podrán estar incluidos en el paquete de la herramienta como accesorios estándar. Pueden variar de un país a otro.

ESPECIFICAÇÕES

Modelo:	ELM3320	ELM3720	ELM4120
Velocidade em vazio	3.400 min ⁻¹		
Altura de corte	20 mm - 55 mm		20 mm - 75 mm
Largura de corte	330 mm	370 mm	410 mm
Número de peça da lâmina do cortador de relva sobresselente	YA00000731	YA00000732	YA00000733
Dimensões (C x L x A)	Durante o funcionamento (com coletor de relva)	C: 1.040 mm a 1.230 mm L: 380 mm A: 870 mm a 1.110 mm	C: 1.140 mm a 1.330 mm L: 415 mm A: 890 mm a 1.120 mm
	Quando armazenado (sem coletor de relva)	350 mm x 380 mm x 1.090 mm	335 mm x 415 mm x 1.090 mm
Peso líquido	10,2 kg	11,6 kg	14,5 kg
Classe de segurança	□/II		

- Devido a um programa contínuo de pesquisa e desenvolvimento, estas especificações podem ser alteradas sem aviso prévio.
- As especificações podem variar de país para país.
- O peso poderá diferir em função do(s) acessório(s). A combinação mais leve e a mais pesada, de acordo com o Procedimento EPTA 01/2014, são apresentadas na tabela.

Símbolos

A seguir são apresentados os símbolos utilizados para o equipamento. Certifique-se de que compreende o seu significado antes de utilizar o equipamento.



Tenha especial cuidado e atenção. Leia o manual de instruções.



ISOLAMENTO DUPLO



Perigo; cuidado com os objetos arremessados. Deve-se manter uma distância de pelo menos 15 m entre a ferramenta e os espetadores.



Aguarde até todos os componentes da máquina terem parado completamente antes de tocar-lhes.



Mantenha o cabo de alimentação flexível afastado das lâminas de corte.



Tenha cuidado com as lâminas afiadas. As lâminas continuam a rodar depois de desligar o motor. Remova a ficha da máquina antes de realizar a manutenção ou caso o cabo esteja danificado.



O ruído da máquina não excede o valor de 96 dB.



Mantenha as mãos e os pés afastados. Não utilize o cortador de relva, exceto se os resguardos e os acessórios estiverem na posição apropriada.



Apenas para os países da União Europeia. Não elimine os equipamentos elétricos junto com o lixo doméstico! De acordo com a diretiva europeia relativa aos resíduos de equipamentos elétricos e eletrónicos e à sua implementação de acordo com as leis nacionais, os equipamentos elétricos que atingiram o seu fim de vida útil devem ser recolhidos separadamente e entregues numa instalação de reciclagem ambientalmente compatível.

Utilização a que se destina

A máquina serve para cortar a relva. Não utilize a máquina para outras finalidades. O uso da máquina para operações distintas do uso previsto poderá resultar numa situação de perigo.

Alimentação

A ferramenta só deve ser ligada a uma fonte de alimentação com a mesma tensão da indicada na placa de características, e só funciona com alimentação de corrente alterna (CA) monofásica. Tem um sistema de isolamento duplo e pode, por isso, utilizar tomadas sem ligação à terra. Se o cabo de alimentação estiver danificado deve ser substituído pelo fabricante ou pelo representante de assistência, de modo a evitar perigo.

Para sistemas públicos de distribuição de baixa tensão entre 220 V e 250 V

As operações de ligar e desligar aparelhos elétricos causa flutuações na tensão. A operação deste dispositivo sob condições elétricas desfavoráveis pode ter efeitos adversos na operação de outros equipamentos. Com a impedância de corrente elétrica igual ou inferior a 0,425 Ohms (para ELM3720) ou 0,427 Ohms (para ELM4120), pode presumir-se que não haverá efeitos negativos. A tomada elétrica utilizada para este dispositivo deve estar protegida com um fusível ou disjuntor de proteção que tenha características de disparo lento.

Ruído

Padrão aplicável : EN60335

Modelo	Nível de pressão sonora		Nível de potência sonora	
	L _{PA} (dB(A))	K de incerteza (dB(A))	L _{PA} (dB(A))	K de incerteza (dB(A))
ELM3320	83	3	94	2
ELM3720	83	3	94	1
ELM4120	84	3	93	2

NOTA: O(s) valor(es) da emissão de ruído indicado(s) foi medido de acordo com um método de teste padrão e pode ser utilizado para comparar duas ferramentas.

NOTA: O(s) valor(es) da emissão de ruído indicado(s) pode também ser utilizado na avaliação preliminar da exposição.

⚠️ AVISO: Utilize protetores auriculares.

⚠️ AVISO: A emissão de ruído durante a utilização real da ferramenta elétrica pode diferir do(s) valor(es) indicado(s), dependendo das formas como a ferramenta é utilizada, especialmente o tipo de peça de trabalho que é processada.

⚠️ AVISO: Certifique-se de identificar as medidas de segurança para proteção do operador que sejam baseadas em uma estimativa de exposição em condições reais de utilização (considerando todas as partes do ciclo de operação, tal como quando a ferramenta está desligada e quando está a funcionar em marcha lenta além do tempo de acionamento).

Vibração

Valor total da vibração (soma vetorial tri-axial) determinado de acordo com a EN60335:

Modelo ELM3320

Emissão de vibração (a_{h1}): 2,5 m/s² ou menos
Variabilidade (K): 1,5 m/s²

Modelo ELM3720

Emissão de vibração (a_{h1}): 2,5 m/s² ou menos
Variabilidade (K): 1,5 m/s²

Modelo ELM4120

Emissão de vibração (a_{h1}): 2,5 m/s² ou menos
Variabilidade (K): 1,5 m/s²

NOTA: O(s) valor(es) total(ais) de vibração indicado(s) foi medido de acordo com um método de teste padrão e pode ser utilizado para comparar duas ferramentas.

NOTA: O(s) valor(es) total(ais) de vibração indicado(s) pode também ser utilizado na avaliação preliminar da exposição.

⚠️ AVISO: A emissão de vibração durante a utilização real da ferramenta elétrica pode diferir do(s) valor(es) indicado(s), dependendo das formas como a ferramenta é utilizada, especialmente o tipo de peça de trabalho que é processada.

⚠️ AVISO: Certifique-se de identificar as medidas de segurança para proteção do operador que sejam baseadas em uma estimativa de exposição em condições reais de utilização (considerando todas as partes do ciclo de operação, tal como quando a ferramenta está desligada e quando está a funcionar em marcha lenta além do tempo de acionamento).

Declaração de conformidade da CE

Apenas para os países europeus

A declaração de conformidade da CE está incluída como Anexo A neste manual de instruções.

AVISOS DE SEGURANÇA

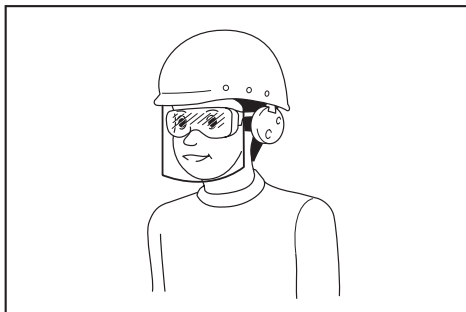
INSTRUÇÕES DE SEGURANÇA IMPORTANTES

⚠️ AVISO: Leia todos os avisos de segurança e todas as instruções. O não cumprimento de todos os avisos e instruções pode originar choque elétrico, incêndio e/ou ferimentos graves.

Guarde todos os avisos e instruções para futuras referências.

1. Deve supervisionar as crianças para garantir que elas não brinquem com o cortador de relva.
2. Nunca permita que crianças nem pessoas não familiarizadas com estas instruções utilizem o cortador de relva. A idade do operador pode ser restringida de acordo com os regulamentos locais.
3. Nunca utilize o cortador de relva se as pessoas, especialmente crianças, ou animais estiverem por perto.
4. Lembre-se de que o operador ou utilizador é responsável por acidentes ou riscos que ocorram a outras pessoas ou que danifiquem a propriedade alheia.

5. Utilize sempre calçado apropriado e calças compridas quando utilizar o cortador de relva. Não utilize o cortador de relva se estiver descalço ou calçando sandálias abertas. Evite vestir roupas largas, usar joias soltas ou com pingentes ou gravatas. Podem ficar presas nas peças em movimento.
6. Use sempre óculos de proteção para proteger os seus olhos contra lesões quando utilizar ferramentas elétricas. Os óculos de proteção devem cumprir os requisitos da ANSI Z87.1 nos EUA, EN 166 na Europa ou AS/NZS 1336 na Austrália/Nova Zelândia. Na Austrália/Nova Zelândia, é legalmente obrigatório o uso de um protetor facial para proteger o seu rosto também.



Cabe ao empregador a responsabilidade de impor o uso de equipamentos de proteção e segurança apropriados por parte dos operadores de ferramentas e por parte de outras pessoas na área de trabalho imediata.

7. Antes de utilizar a máquina, verifique se o cabo de alimentação apresenta sinais de danos ou envelhecimento. Se o cabo sofrer danos durante a utilização, desligue o cabo da fonte de alimentação imediatamente. Não toque no cabo antes de desligar a fonte de alimentação. Não utilize o cortador de relva se o cabo estiver danificado ou desgasto.
8. Opere o cortador de relva só durante o dia ou com boa iluminação artificial.
9. Evite operar o cortador de relva em relva molhada.
10. Nunca opere o cortador de relva à chuva.
11. Segure o guiador sempre com firmeza.
12. Mantenha-se sempre numa posição segura e firme ao trabalhar em declives.
13. Caminhe, nunca corra.
14. Não agarre nas lâminas de corte expostas nem nos bordos cortantes quando levantar ou segurar o cortador de relva.
15. Condição física - Não opere o cortador de relva se estiver sob a influência de drogas, bebidas alcoólicas ou qualquer medicamento.
16. Mantenha as mãos e os pés afastados das lâminas rotativas. Precaução - As lâminas continuam a rodar depois de desligar o cortador de relva.
17. Utilize só as lâminas originais do fabricante especificadas neste manual.
18. Verifique cuidadosamente as lâminas para ver se estão rachadas ou danificadas antes da operação. Substitua imediatamente as lâminas rachadas ou danificadas.
19. Certifique-se de que não há outras pessoas na área antes de cortar a relva. Pare o cortador de relva se alguém entrar na área.
20. Antes de começar a cortar a relva, remova os objetos estranhos como pedras, fios, garrafas, ossos e paus grandes da área de trabalho para evitar ferimentos pessoais ou danos no cortador de relva.
21. Pare imediatamente a operação se observar algo fora do normal. Desligue o cortador de relva e retire o cabo de alimentação da fonte de alimentação. Em seguida, inspecione o cortador de relva.
22. Nunca tente fazer ajustes na altura das rodas enquanto o cortador de relva está em funcionamento.
23. Liberte a alavanca do interruptor e espere que a lâmina pare de rodar antes de atravessar zonas pavimentadas, passeios, ruas ou qualquer área com grama. Retire também o cabo de alimentação da fonte de alimentação se deixar o cortador de relva, quando se esticar para apanhar ou remover qualquer objeto do caminho ou por qualquer outro motivo que possa distraí-lo do que está a fazer.
24. Os objetos atingidos pela lâmina do cortador de relva podem provocar ferimentos graves nas pessoas. O relvado deve ser sempre cuidadosamente inspecionado e limpo de todos os objetos antes de cada corte da relva.
25. Se o cortador de relva bater num objeto estranho, siga os passos abaixo:
 - Pare o cortador de relva, liberte a alavanca do interruptor e aguarde até a lâmina parar completamente.
 - Desligue o cabo de alimentação da fonte de alimentação.
 - Inspeccione cuidadosamente o cortador de relva para ver se apresenta algum dano.
 - Substitua a lâmina se apresentar qualquer tipo de dano. Repare qualquer dano antes de reiniciar e continuar a utilizar o cortador de relva.
26. Verifique o coletor de relva frequentemente para ver se apresenta desgaste ou deterioração. Quando armazenar, certifique-se sempre que o coletor de relva está vazio. Substitua um coletor de relva desgastado por uma peça de substituição nova, de fábrica, para sua segurança.
27. Tenha muito cuidado quando inverter ou puxar o cortador de relva na sua direção.
28. Pare a(s) lâmina(s) se tiver de inclinar o cortador de relva para o transportar quando cruzar áreas não relvadas e quando transportar o cortador de relva de e para a área onde será utilizado.
29. Nunca opere o cortador de relva com resguardos ou protetores defeituosos ou sem os dispositivos de segurança instalados, por exemplo, os defletores e/ou o coletor de relva.

30. Ligue cuidadosamente o cortador de relva, de acordo com as instruções e com os pés bem afastados da(s) lâmina(s).
31. Não incline o cortador de relva quando ligar o motor, a menos que tenha de inclinar o cortador de relva para o ligar. Neste caso, não o incline mais do que o necessário e levante apenas a parte que está afastada do operador. Assegure sempre que tem as duas mãos na posição operacional antes de voltar a colocar o aparelho no chão.
32. Não ligue o cortador de relva quando estiver em frente da abertura de descarga.
33. Não ponha as mãos ou pés perto nem debaixo das peças rotativas. Mantenha-se sempre afastado da abertura de descarga.
34. Não transporte o cortador de relva enquanto está ligado.
35. Pare o cortador de relva e retire a ficha da tomada. Certifique-se de que todas as peças móveis estão completamente paradas - sempre que se afastar do cortador de relva, - antes de limpar bloqueios ou desentupir a saída de relva, - antes de verificar, limpar ou trabalhar no cortador de relva, - depois de bater num objeto estranho. Inspeção o cortador de relva quanto a danos e repare-o antes de reiniciar e operar o cortador de relva.
36. Se o cortador de relva começar a vibrar anormalmente (verifique imediatamente) - inspeção quanto a danos, - substitua ou repare as peças danificadas, - verifique se há peças soltas e aperte-as.
37. Tenha muito cuidado durante o ajuste do cortador de relva para evitar prender os dedos entre as lâminas em movimento e as peças fixas do cortador de relva.
38. Em terrenos inclinados, corte a relva transversalmente, nunca para cima e para baixo. Tenha muito cuidado ao mudar de direção em declives. Não corte relva em terrenos extremamente inclinados.
39. Não lave utilizando uma mangueira; evite deixar entrar água no motor e nas ligações elétricas.
40. Inspeção o perno de montagem da lâmina em intervalos frequentes para verificar se está bem apertado.
41. Mantenha todas as porcas, pernos e parafusos apertados para garantir que o equipamento está em condições de trabalho seguras.
42. Tenha cuidado, pois a rotação de uma lâmina pode causar a rotação de outras lâminas.
43. Deixe sempre o cortador de relva arrefecer antes de o guardar.
44. Ao fazer a manutenção nas lâminas lembre-se que, apesar de a fonte de alimentação estar desligada, as lâminas podem continuar a mover-se.
45. Como medida de segurança, substitua as peças desgastadas ou danificadas. Utilize apenas acessórios e peças de substituição originais.
46. Solicite a reparação da sua ferramenta elétrica por um técnico de reparação qualificado, utilizando apenas peças sobresselentes idênticas. Isto assegura que a segurança da sua ferramenta elétrica é mantida.
47. Siga as instruções de lubrificação e substituição de acessórios.
48. Mantenha os guiladores secos, limpos e sem óleo ou massa lubrificante.
49. Assegure que a tensão e frequência da fonte de alimentação correspondem às especificações indicadas na placa de identificação. Recomendamos a utilização de um disjuntor operado por corrente residual (interruptor de circuito de falha de terra) com uma corrente de disparo de 30 mA ou inferior ou um protetor de corrente de fuga à terra.
50. Esta máquina pode ser utilizada por crianças com idade a partir de 8 anos e por pessoas com capacidades físicas, sensoriais ou mentais reduzidas ou falta de experiência e conhecimento, caso tenham recebido supervisão ou instruções relativamente ao uso da máquina de forma segura e tenham compreendido os perigos envolvidos. A limpeza e a manutenção por parte do utilizador não devem ser realizadas por crianças sem supervisão.

Riscos residuais

Mesmo que esteja a utilizar este produto de acordo com todos os requisitos de segurança, os potenciais riscos de lesão e danos mantêm-se. Os perigos seguintes podem surgir associados à estrutura e ao design deste produto.

1. Os problemas de saúde resultantes da emissão de vibrações, caso o produto esteja a ser utilizado por períodos prolongados ou gerido de forma inadequada e mantido de forma inapropriada.
2. Lesões e danos materiais devido a ferramentas de aplicação avariadas ou o impacto súbito de objetos ocultos durante a utilização.
3. Perigo de lesão e danos materiais causados por objetos projetados.

⚠️AVISO: Este produto produz um campo eletromagnético durante o funcionamento. Este campo pode interferir com implantes médicos ativos ou passivos em determinadas circunstâncias. De modo a reduzir o risco de lesão grave ou fatal, recomendamos que as pessoas com implantes médicos consultem o médico e o fabricante do implante médico antes de utilizar este produto.

GUARDE ESTAS INSTRUÇÕES.

⚠️AVISO: NÃO permita que o conforto ou a familiaridade com o produto (adquirido com o uso repetido) substitua a adesão estrita às regras de segurança da ferramenta.

A MÁ INTERPRETAÇÃO ou o não seguimento das regras de segurança estabelecidas neste manual de instruções pode causar danos pessoais graves.

MONTAGEM

⚠️ PRECAUÇÃO: Certifique-se sempre de que a ferramenta está desligada e com a ficha retirada da tomada antes de executar quaisquer trabalhos na ferramenta.

Montar o guiador

1. Descarregue o guiador superior da unidade principal da máquina.
▶ **Fig.1:** 1. Guiador superior
2. Solte as porcas recartilhada.
▶ **Fig.2:** 1. Porca recartilhada
3. Estenda o guiador um pouco para fora e, em seguida, eleve-o.
▶ **Fig.3:** 1. Guiador
4. Ajuste a altura do guiador ao alinhar a seta com a marca.
▶ **Fig.4:** 1. Porca recartilhada 2. Marca 3. Seta
5. Aperte as porcas recartilhada.
▶ **Fig.5:** 1. Porca recartilhada
6. Prenda o guiador superior ao inserir as alavancas do exterior do guiador e, em seguida, aperte as porcas com a chave para fixar o guiador.
▶ **Fig.6:** 1. Alavanca 2. Porca
7. Fixe os cabos com as braçadeiras como indicado na figura.
▶ **Fig.7:** 1. Braçadeira

Instalar o coletor de relva

1. Prenda os tubos do coletor de relva à estrutura.
▶ **Fig.8:** 1. Tubo 2. Estrutura
2. Abra a tampa traseira.
▶ **Fig.9:** 1. Tampa traseira
3. Enganche o coletor de relva ao lado traseiro da máquina.
▶ **Fig.10**

Para remover o coletor de relva, execute o procedimento de instalação pela ordem inversa.

Ligação do cabo de extensão

⚠️ AVISO: Quando ligar o cabo de extensão à ficha elétrica da máquina, assegure que a alavanca do interruptor está libertada e que o cabo está removido da fonte de alimentação.

⚠️ AVISO: Não ligue nem desligue o cabo de extensão com as mãos molhadas.

OBSERVAÇÃO: Quando ligar o cabo de extensão à ficha elétrica da máquina, assegure que insere a ficha totalmente na tomada.

Quando ligar o cabo de extensão, enganche-o através do gancho no guiador, conforme ilustrado na figura, de modo a evitar a remoção inadvertida do cabo da tomada devido a tensão excessiva no cabo.

- ▶ **Fig.11:** 1. Gancho 2. Cabo de extensão

DESCRIÇÃO FUNCIONAL

Ajustar a altura do corte

⚠️ AVISO: Antes de ajustar a altura de corte da relva, retire o cabo de extensão da fonte de alimentação e verifique se as lâminas pararam completamente.

⚠️ AVISO: Nunca ponha as mãos ou pernas por baixo do corpo do cortador de relva quando ajustar a altura do corte.

Podemos ajustar a altura de corte da relva no intervalo de 20 mm a 55 mm (para ELM3320/ELM3720) ou 20 mm a 75 mm (para ELM4120). A altura de corte da relva pode ser ajustada em 3 níveis (para ELM3320/ELM3720) ou 7 níveis (para ELM4120).

Para ELM3320/ELM3720

- ▶ **Fig.12:** 1. Alavanca de ajuste

Para ELM4120

- ▶ **Fig.13:** 1. Alavanca de ajuste

Segure o guiador com uma mão e, em seguida, mova a alavanca de ajuste com a outra mão.

- ▶ **Fig.14:** 1. Alavanca de ajuste

NOTA: Faça um teste de corte da relva num local menos evidente para obter a altura desejada.

Ação do interruptor

⚠️ AVISO: Antes de ligar a ferramenta à tomada elétrica, verifique sempre se a alavanca do interruptor funciona corretamente e volta à posição de desligado quando é libertada.

⚠️ AVISO: Para sua segurança, esta máquina está equipada com o botão de desbloqueio que impede que a ferramenta efetue o arranque inadvertidamente. Nunca utilize a máquina se esta efetuar o arranque quando puxa a alavanca do interruptor sem pressionar o botão de desbloqueio. Peça a reparação no centro de assistência Makita local.

⚠️ AVISO: Nunca desative a função de bloqueio ou tape o botão de desbloqueio com fita adesiva.

OBSERVAÇÃO: Não puxe a alavanca do interruptor à força sem pressionar o botão de desbloqueio. O interruptor pode partir.

Para efetuar o arranque da máquina, pressione o botão de desbloqueio e, em seguida, aperte a alavanca do interruptor. Para parar a máquina, liberte a alavanca do interruptor.

- ▶ **Fig.15:** 1. Alavanca do interruptor 2. Botão de desbloqueio

Indicador de nível do coletor de relva

O indicador de nível do coletor de relva abre durante o corte de relva se o coletor de relva não estiver cheio. Se o coletor de relva estiver cheio, o indicador de nível fecha durante o corte de relva. Se estiver cheio, esvazie o coletor de relva antes de iniciar o corte de relva.

► Fig.16: 1. Indicador de nível

► Fig.17: 1. Indicador de nível

Ajustar a altura do guiador

A altura do guiador pode ser ajustada em três níveis. Solte as porcas recartilhada enquanto segura no guiador e, em seguida, ajuste a altura do guiador ao alinhar a seta com uma das marcas e, em seguida, aperte as porcas recartilhada.

► Fig.18: 1. Porca recartilhada 2. Marca 3. Seta

Sistema de proteção do motor (relé de sobrecorrente)

AVISO: Se a máquina parar subitamente durante o funcionamento, solte a alavanca do interruptor e retire o cabo de extensão da tomada. Caso contrário, a máquina pode reiniciar subitamente e causar uma lesão.

PRECAUÇÃO: Se pretender remover um objeto que está a encravar a lâmina, certifique-se de que usa luvas e retire o cabo de extensão da tomada elétrica.

Se a relva cortada ou sujidade estiverem a encravar no interior da estrutura principal, a máquina para automaticamente para proteger o motor (relé de sobrecorrente). Neste caso, retire o cabo de extensão da tomada elétrica e, em seguida, remova o material que está a causar o encravamento e deixe a máquina arrefecer durante alguns minutos antes de ligar a máquina.

NOTA: O relé de sobrecorrente pode ser ativado quando a relva molhada ou comprida ficar presa no interior da estrutura principal.

OPERAÇÃO

Cortar a relva

AVISO: Antes de cortar a relva, retire os paus e pedras da área que vai cortar. Remova também as ervas daninhas da área antes de cortar.

► Fig.19

AVISO: Utilize sempre óculos de segurança ou proteção com proteções laterais quando operar o cortador de relva.

PRECAUÇÃO: Se a relva cortada ou objeto estranho ficarem bloqueados no interior da estrutura do cortador de relva, certifique-se de que desliga a energia elétrica e, em seguida, retire o cabo de extensão da tomada elétrica. Antes de remover a relva ou o objeto estranho, certifique-se de que usa luvas.

PRECAUÇÃO: Certifique-se de que instala o coletor de relva quando operar a máquina.

OBSERVAÇÃO: Utilize esta máquina apenas para cortar relva. Não corte ervas daninhas com esta máquina.

Agarre firmemente o guiador com as duas mãos para cortar a relva.

► Fig.20

A orientação de velocidade de corte da relva é aproximadamente um metro por quatro segundos.

► Fig.21

Comece a cortar a relva junto à tomada elétrica, de modo a assegurar que o cabo de extensão não se transforma num obstáculo.

► Fig.22: 1. Tomada elétrica 2. Cabo de extensão

Não permita que o cabo de extensão passe por baixo da máquina ou fique emaranhado sob esta.

► Fig.23

► Fig.24

As linhas em ambos os lados da estrutura principal são orientações para a largura de corte da relva. Utilizando as linhas como orientações, corte a relva em faixas. Sobreponha metade a um terço da faixa anterior para cortar a relva uniformemente.

► Fig.25: 1. Largura de corte da relva 2. Área de sobreposição 3. Linha

Altere a direção de corte da relva de cada vez que cortar a relva, de modo a impedir a formação do padrão de veio da relva apenas numa direção.

► Fig.26

Verifique periodicamente o coletor de relva para ver se tem relva cortada. Esvazie o coletor antes de ficar cheio. Antes de cada verificação periódica, certifique-se de que para a máquina.

NOTA: Utilizar o cortador de relva com o coletor de relva cheio impede a rotação suave da lâmina e sobrecarrega o motor, o que pode provocar avarias.

Cortar relva alta

Não tente cortar relva alta de uma só vez. Em vez disso, corte a relva por etapas. Deixe um dia ou dois de intervalo entre os cortes da relva, até que a relva fique curta uniformemente.

► Fig.27

NOTA: Cortar a relva alta numa altura muito curta de uma só vez pode matar a relva. A relva cortada também pode bloquear o interior do corpo do cortador de relva.

Corte da relva no bordo

Quando cortar a relva no bordo, certifique-se de que move a máquina ao longo do bordo.

► Fig.28

MANUTENÇÃO

AVISO: Antes de realizar a manutenção, retire o cabo de extensão da fonte de alimentação e confirme se as lâminas pararam completamente.

PRECAUÇÃO: Quando realizar a manutenção, use sempre luvas.

Para manter a SEGURANÇA e a FIABILIDADE do produto, as reparações e qualquer outra manutenção ou ajuste devem ser levados a cabo pelos centros de assistência Makita autorizados ou pelos centros de assistência de fábrica, utilizando sempre peças de substituição Makita.

Manutenção após o corte da relva

Após cortar a relva, limpe a máquina com um pano seco ou um pano embebido em água e sabão. Além disso, utilize uma escova macia para escovar relva cortada e sujidade das lâminas.

OBSERVAÇÃO: Nunca utilize gasolina, benzina, diluente, álcool ou produtos semelhantes. Pode ocorrer a descoloração, deformação ou rachaduras.

Armazenamento

1. Desligue o cabo de extensão.

► Fig.29: 1. Cabo de extensão

2. Abra a tampa traseira e, em seguida, remova o coletor de relva.

► Fig.30: 1. Tampa traseira 2. Coletor de relva

3. Desaperte as porcas recartilhadas enquanto segura o guidador e, em seguida, estenda ligeiramente o guidador para fora e dobre seguidamente o guidador.

► Fig.31: 1. Porca recartilhada 2. Guidador 3. Marca 4. Seta

PRECAUÇÃO: Quando dobrar o guidador, tenha cuidado para não apertar a mão ou os dedos.

NOTA: Certifique-se de que a seta indica a marca na posição mais dianteira.

4. Aperte as porcas recartilhada.

► Fig.32: 1. Porca recartilhada

5. Abra as alavancas e, em seguida, coloque o cabo sobre a alavanca.

► Fig.33: 1. Alavanca 2. Cabo

6. Recoloque as alavancas na posição a metade do curso, conforme mostrado na figura.

► Fig.34: 1. Alavanca

7. Dobre o guidador.

► Fig.35: 1. Guidador

8. Coloque a máquina como indicado na figura.

► Fig.36

PRECAUÇÃO: Certifique-se de que armazena esta máquina num espaço interior e coloque-a numa superfície plana. Caso contrário, a máquina pode cair e causar uma lesão.

Também pode armazenar a máquina do seguinte modo.

1. Desligue o cabo de extensão.

► Fig.37: 1. Cabo de extensão

2. Abra a tampa traseira e, em seguida, remova o coletor de relva.

► Fig.38: 1. Tampa traseira 2. Coletor de relva

3. Regule a altura de corte da relva com a alavanca de ajuste.

Para ELM3320/ELM3720:

Regule a altura de corte da relva para "1".

► Fig.39: 1. Alavanca de ajuste

Para ELM4120:

Regule a altura de corte da relva para "2".

► Fig.40: 1. Alavanca de ajuste

4. Desaperte as porcas recartilhadas enquanto segura o guidador e, em seguida, estenda ligeiramente o guidador para fora e dobre seguidamente o guidador.

► Fig.41: 1. Porca recartilhada 2. Guidador 3. Marca 4. Seta

PRECAUÇÃO: Quando dobrar o guidador, tenha cuidado para não apertar a mão ou os dedos.

NOTA: Certifique-se de que a seta indica a marca na posição mais dianteira.

5. Aperte as porcas recartilhada.

► Fig.42: 1. Porca recartilhada

6. Coloque a máquina como indicado na figura.

► Fig.43

PRECAUÇÃO: Certifique-se de que armazena esta máquina num espaço interior e coloque-a numa superfície plana. Caso contrário, a máquina pode cair e causar uma lesão.

Também pode armazenar a máquina ao dobrar o guidador.

PRECAUÇÃO: Antes de abrir as alavancas, segure firmemente o guidador superior. Caso contrário, o guidador pode cair e causar uma lesão.

1. Abra as alavancas enquanto segura o guidador superior.

► Fig.44: 1. Alavanca

2. Dobre o guidador superior.

► Fig.45: 1. Guidador superior

Substituir a lâmina do cortador de relva

⚠️ PRECAUÇÃO: Não utilize uma chave diferente da chave hexagonal padrão quando substituir a lâmina do cortador de relva. Utilizar uma chave diferente pode causar aperto excessivo ou folga, o que pode causar lesões.

1. Retire o cabo de extensão da tomada e levante a máquina. (Consulte as instruções para armazenamento.)
2. Insira o pino no orifício e, em seguida, segure o guiador com uma mão e solte o perno com a chave para a esquerda.
▶ **Fig.46:** 1. Lâmina 2. Chave 3. Pino
3. Retire a lâmina do cortador de relva.

Para ELM3320

Retire o perno, a anilha, a lâmina do cortador de relva e o suporte por esta ordem.

- ▶ **Fig.47:** 1. Suporte 2. Lâmina do cortador de relva 3. Anilha 4. Perno

Para ELM3720/ELM4120

Retire o perno, a anilha, a lâmina do cortador de relva, o suporte e o espaçador por esta ordem.

- ▶ **Fig.48:** 1. Espaçador 2. Suporte 3. Lâmina do cortador de relva 4. Anilha 5. Perno

4. Prenda uma nova lâmina do cortador de relva e, em seguida, insira o pino no orifício e, em seguida, segure o guiador com uma mão e aperte firmemente o perno com a chave para a direita.

- ▶ **Fig.49:** 1. Lâmina do cortador de relva 2. Chave 3. Pino

Cabo de extensão

Apenas deve utilizar cabos de extensão para uso externo, cabo em PVC ou borracha para serviços comuns com uma área transversal não inferior a 1,5 mm².

Antes e durante a utilização da máquina, verifique se os cabos de alimentação e de extensão estão danificados. Não utilize o aparelho se o cabo estiver danificado ou desgasto. Mantenha o cabo de extensão afastado dos elementos de corte. Se o cabo sofrer danos durante a utilização, desligue o cabo da fonte de alimentação imediatamente. Não toque no cabo antes de desligar a fonte de alimentação.

ACESSÓRIOS OPCIONAIS

⚠️ PRECAUÇÃO: Estes acessórios ou peças são recomendados para utilização com a ferramenta Makita especificada neste manual. A utilização de outros acessórios ou peças pode ser perigosa para as pessoas. Utilize apenas acessórios ou peças para os fins indicados.

Se necessitar de informações adicionais relativas a estes acessórios, solicite-as ao seu centro de assistência Makita.

- Lâmina do cortador de relva

NOTA: Alguns itens da lista podem estar incluídos na embalagem da ferramenta como acessórios padrão. Eles podem variar de país para país.

SPECIFIKATIONER

Model:	ELM3320	ELM3720	ELM4120	
Omdrejninger uden belastning	3.400 min ⁻¹			
Klippehøjde	20 mm - 55 mm		20 mm - 75 mm	
Klippebredde	330 mm	370 mm	410 mm	
Artikelnummer på reserveblad til plæneklipper	YA00000731	YA00000732	YA00000733	
Mål (L x B x H)	Under brug (med græskurv)	L: 1.040 mm til 1.230 mm B: 380 mm H: 870 mm til 1.110 mm	L: 1.140 mm til 1.330 mm B: 415 mm H: 890 mm til 1.120 mm	L: 1.255 mm til 1.470 mm B: 460 mm H: 955 mm til 1.230 mm
	Under opbevaring (uden græskurv)	350 mm x 380 mm x 1.090 mm	335 mm x 415 mm x 1.090 mm	395 mm x 460 mm x 1.220 mm
Nettovægt	10,2 kg	11,6 kg	14,5 kg	
Sikkerhedsklasse	II			

- På grund af vores kontinuerlige forsknings- og udviklingsprogrammer kan hosstående specifikationer blive ændret uden varsel.
- Specifikationer kan variere fra land til land.
- Vægten kan være anderledes afhængigt af tilbehøret. Den letteste og tungeste kombination i henhold til EPTA-procedure 01/2014 er vist i tabellen.

Symboler

Følgende viser de symboler, der anvendes til udstyret. Vær sikker på, at De forstår betydningen af symbolerne før brugen.



Udvis særlig forsigtighed og opmærksomhed. Læs betjeningsvejledningen.



DOBBELT ISOLERING



Fare; pas på kastede genstande. Afstanden mellem maskinen og omkringstående skal være mindst 15 m.



Vent, til alle dele af maskinen er stoppet helt, før De berører dem.



Hold den fleksible netledning væk fra de skærende blade.



Pas på skarpe blade. Bladene fortsætter med at rotere, efter at der slukkes for motoren. Tag stikket ud af maskinen inden vedligeholdelse, eller hvis ledningen er beskadiget.



Støjen fra maskinen overskrider ikke 96 dB.



Hold hænder og fødder på afstand. Undlad at betjene plæneklipperen, uden at skærmene og tilbehøret er på den rigtige plads.



Kun for lande inden for EU
Elektrisk udstyr må ikke bortskaffes sammen med almindelig husholdningsaffald! I henhold til det europæiske direktiv vedrørende håndtering af elektrisk og elektronisk affald og dets implementering i henhold til national lovgivning skal elektrisk udstyr, der har nået slutningen af dets levetid, indsamles separat og returneres til et genindvindingsanlæg, der overholder miljøkravene.

Tilsigtet anvendelse

Maskinen er beregnet til at slå græs. Brug ikke maskinen til andre formål. Anvendelse af maskinen til andre formål end det tilsigtede kan medføre farlige situationer.

Strømforsyning

Maskinen må kun tilsluttes en strømforsyning med samme spænding som angivet på typeskiltet og kan kun anvendes på enfasnet vekselstrømforsyning. Den er dobbeltisoleret og kan derfor også tilsluttes netstik uden jordforbindelse. Hvis netledningen er beskadiget, skal den udskiftes hos producenten eller dennes serviceagent for at undgå en sikkerhedsrisiko.

For offentlige lavspændingsnet på mellem 220 V og 250 V

Til- og frakobling af elektriske apparater medfører spændingsudsving. Brug af dette apparat under ugunstige forhold på elnettet kan have negativ indflydelse på funktionaliteten af andet udstyr. Hvis impedansen i elnettet er mindre end eller lig med 0,425 Ohm (for ELM3720) eller 0,427 Ohm (for ELM4120), kan det antages, at der ikke vil være negative effekter. Den stikkontakt, der benyttes til dette apparat, skal være beskyttet med en sikring eller beskyttende kredsløbsafbryder med langsom udløsning.

Lyd

Gældende standard : EN60335

Model	Lydtrykniveau		Lydeffektniveau	
	L _{PA} (dB(A))	Usikkerhed K (dB(A))	L _{PA} (dB(A))	Usikkerhed K (dB(A))
ELM3320	83	3	94	2
ELM3720	83	3	94	1
ELM4120	84	3	93	2

BEMÆRK: De(n) angivne støjemissionsværdi(er) er målt i overensstemmelse med en standardtestmetode og kan anvendes til at sammenligne en maskine med en anden.

BEMÆRK: De(n) angivne støjemissionsværdi(er) kan også anvendes i en præliminær eksponeringsvurdering.

⚠ ADVARSEL: Bær høreværn.

⚠ ADVARSEL: Støjemissionen under den faktiske anvendelse af maskinen kan være forskellig fra de(n) angivne værdi(er), afhængigt af den måde hvorpå maskinen anvendes, især den type arbejdsemne der behandles.

⚠ ADVARSEL: Sørg for at identificere de sikkerhedsforskrifter til beskyttelse af operatøren, som er baseret på en vurdering af eksponering under de faktiske brugsforhold (med hensyntagen til alle dele i brugscyklussen, f.eks. de gange, hvor maskinen er slukket, og når den kører i tomgang i tilgift til afbrydertiden).

Vibration

Vibrationens totalværdi (tre-aksial vektorsum) bestemt i overensstemmelse med EN60335:

Model ELM3320

Vibrationsemission (a_v): 2,5 m/s² eller mindre
Usikkerhed (K): 1,5 m/s²

Model ELM3720

Vibrationsemission (a_v): 2,5 m/s² eller mindre
Usikkerhed (K): 1,5 m/s²

Model ELM4120

Vibrationsemission (a_v): 2,5 m/s² eller mindre
Usikkerhed (K): 1,5 m/s²

BEMÆRK: De(n) angivne totalværdi(er) for vibration er målt i overensstemmelse med en standardtestmetode og kan anvendes til at sammenligne en maskine med en anden.

BEMÆRK: De(n) angivne totalværdi(er) for vibration kan også anvendes i en præliminær eksponeringsvurdering.

⚠ ADVARSEL: Vibrationsemissionen under den faktiske anvendelse af maskinen kan være forskellig fra de(n) angivne værdi(er), afhængigt af den måde hvorpå maskinen anvendes, især den type arbejdsemne der behandles.

⚠ ADVARSEL: Sørg for at identificere de sikkerhedsforskrifter til beskyttelse af operatøren, som er baseret på en vurdering af eksponering under de faktiske brugsforhold (med hensyntagen til alle dele i brugscyklussen, f.eks. de gange, hvor maskinen er slukket, og når den kører i tomgang i tilgift til afbrydertiden).

EU-overensstemmelseserklæring

Kun for lande i Europa

EU-overensstemmelseserklæringen er inkluderet som Bilag A i denne brugsanvisning.

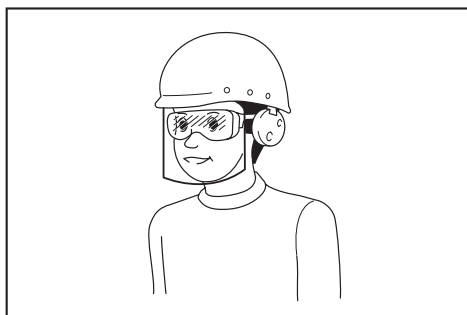
SIKKERHEDSADVARSLER

VIGTIGE SIKKERHEDSFORSKRIFTER

⚠ ADVARSEL: Læs alle sikkerhedsadvarsler og alle sikkerhedsinstruktioner. Hvis nedenstående advarsler og instruktioner ikke overholdes, kan det medføre elektrisk stød, brand og/eller alvorlig personskade.

Gem alle advarsler og instruktioner til fremtidig reference.

1. Børn bør være under opsyn for at sikre, at de ikke leger med plæneklipperen.
2. Lad aldrig børn eller personer, som ikke er bekendt med disse instruktioner, anvende plæneklipperen. Operatørens alder kan være begrænset af lokale bestemmelser.
3. Anvend aldrig plæneklipperen, hvis der er personer, især børn, eller kæledyr i nærheden.
4. Husk, at operatøren eller brugeren er ansvarlig for ulykker eller farlige situationer, som andre personer eller deres ejendom udsættes for.
5. Under anvendelse af plæneklipperen skal De altid bære solidt fodtøj og lange bukser. Anvend ikke plæneklipperen med bare fødder eller åbne sandaler. Undgå at bære løst tøj eller smykker med løsthængende kæder eller slips. Disse kan sætte sig fast i de bevægelige dele.
6. Bær altid beskyttelsesbriller for at beskytte dine øjne mod skader, når du bruger maskinen. Beskyttelsesbrillerne skal overholde ANSI Z87.1 i USA, EN 166 i Europa eller AS/NZS 1336 i Australien/New Zealand. I Australien/New Zealand er det desuden påbudt ved lov at bære ansigtsskærm for at beskytte dit ansigt.



Det er arbejdsgiverens ansvar at påbyde brugerne af maskinen samt andre personer i det umiddelbare arbejdsområde at bære passende sikkerhedsbeskyttelsesudstyr.

7. Før brugen skal De kontrollere netledningen for tegn på beskadigelse eller slid. Hvis ledningen bliver beskadiget under brugen, skal De med det samme tage den ud af stikkontakten. Rør ikke ved ledningen, før De har taget den ud af stikkontakten. Anvend ikke plæneklipperen, hvis ledningen er beskadiget eller slidt.
8. Anvend kun plæneklipperen i dagslys eller i god kunstig belysning.
9. Anvend ikke plæneklipperen i vådt græs.
10. Plæneklipperen må aldrig anvendes i regnvejr.
11. Hold altid godt fast i håndtaget.
12. Sørg altid for et godt fodfæste på skråninger.
13. Gå, løb aldrig.
14. Tag ikke fat i de blottagte skæreblade eller skærekanter, når plæneklipperen løftes eller holdes.
15. Fysisk tilstand - anvend ikke plæneklipperen under indflydelse af narkotika, alkohol eller nogen form for medicin.
16. Hold hænder og fødder på god afstand af de roterende blade. Forsigtig - bladene fortsætter med at dreje rundt, efter at der er slukket for plæneklipperen.
17. Anvend kun originale blade fra fabrikanten, som er specificeret i denne brugsanvisning.
18. Inspicér omhyggeligt bladene for revner og beskadigelse inden brugen. Revnede eller beskadigede blade skal straks skiftes ud.
19. Sørg for, at der ikke er nogen personer i arbejdsområdet, inden arbejdet påbegyndes. Stop plæneklipperen, hvis der kommer nogen ind i området.
20. Fjern fremmedlegemer såsom sten, ståltråd, flasker, ben eller store kæppe fra arbejdsområdet inden klipningen for at undgå personskade og skade på plæneklipperen.
21. Hold straks op med brugen, hvis noget usædvanligt opdaget. Sluk for plæneklipperen, og tag netledningen ud af stikkontakten. Inspicér derefter plæneklipperen.
22. Forsøg aldrig at foretage indstillinger af højden, mens plæneklipperen er i gang.
23. Frigør afbryderarmen, og vent, til bladene er holdt op med at dreje rundt, inden der køres over indkørsler, stier, veje og grusbelagte områder. Tag desuden stikket ud af stikkontakten, hvis De forlader plæneklipperen, rækker ud for at samle noget op eller for at få det af vejen eller af andre årsager, der kan distrahere Dem fra det, De er i gang med.

24. Genstande, der rammes af plæneklipperbladet, kan forårsage alvorlig personskade. Plænen bør altid undersøges omhyggeligt, og alle genstande skal fjernes inden hver plæneklipping.
25. Hvis plæneklipperen rammer et fremmedlegeme, skal nedenstående trin følges:
 - Stop plæneklipperen, frigør afbryderarmen, og vent, indtil bladet er standstødt helt.
 - Tag netledningen ud af stikkontakten.
 - Inspicér plæneklipperen grundigt for beskadigelse.
 - Skift bladet ud, hvis det på nogen måde er beskadiget. Reparer enhver skade, inden De igen starter plæneklipperen og fortsætter med at anvende den.
26. Inspicér hyppigt græskurven for slitage eller forringelse. Kontrollér altid, at græskurven er tom inden opbevaring. Skift af sikkerhedsgrunde en udtjent græskurv ud med en fabriksny.
27. Vær yderst forsigtig, når De bakker eller trækker plæneklipperen imod Dem selv.
28. Stop bladet (bladene), hvis plæneklipperen skal vippes i transportøjemed, når andre overflader end græs krydses, og når plæneklipperen transporteres til og fra det område, hvor den skal anvendes.
29. Anvend aldrig plæneklipperen med defekte dæksler eller skjolde eller uden sikkerhedsanordninger, f.eks. deflektor og/eller græskurv, på plads.
30. Vær påpasselig med at starte plæneklipperen i overensstemmelse med instruktionerne og med fødderne på god afstand af bladet (bladene).
31. Vip ikke plæneklipperen, når De tænder for motoren, undtagen hvis plæneklipperen skal vippes for at starte den. I dette tilfælde må den ikke vippes mere end absolut nødvendigt, og kun den del, der vender væk fra operatøren, må løftes. Sørg altid for, at begge hænder er i betjeningspositionen, før apparatet sættes tilbage på jorden.
32. Start ikke plæneklipperen, mens De står foran udlædningsåbningen.
33. Anbring ikke hænder og fødder i nærheden af eller under de roterende dele. Hold Dem til enhver tid på god afstand af udlædningsåbningen.
34. Transportér ikke plæneklipperen, mens der er tændt for den.
35. Stop plæneklipperen, og tag stikket ud af stikkontakten. Sørg for, at alle de bevægelige dele er helt stoppet
 - når De forlader plæneklipperen,
 - inden rengøring af tilstopninger eller rensning af rende,
 - inden inspektion, rengøring eller arbejde på plæneklipperen,
 - efter et fremmedlegeme er ramt. Inspicér plæneklipperen for beskadigelser, og udfør reparationer, inden De igen starter og anvender plæneklipperen.
36. Hvis plæneklipperen begynder at vibrere unormalt (kontrollér straks)
 - inspicér for beskadigelse,
 - udskift eller reparer alle beskadigede dele,
 - kontrollér, om der er løse dele, og stram dem i så fald.

37. Vær påpasselig, når plæneklipperen justeres, således at De ikke får fingrene i klemme mellem plæneklipperens roterende blade og de faste dele.
38. Kør plæneklipperen på tværs af skråninger, aldrig op og ned ad dem. Vær yderst forsigtig, når De skifter retning på skråninger. Anvend ikke plæneklipperen på meget stejle skråninger.
39. Skyl ikke med en vandslange. Undgå, at der kommer vand ind i motoren og de elektriske tilslutninger.
40. Kontrollér med jævne mellemrum bladets befæstelsesbolt for den rigtige stramning.
41. Hold alle møtrikker, bolte og skruer stramme for at sikre, at udstyret er i sikker funktionsstand.
42. Pas på, da andre blade kan begynde at rotere, hvis ét blad bringes i rotation.
43. Lad altid plæneklipperen køle af, inden den stilles til opbevaring.
44. Når De servicerer bladene, skal De være opmærksom på, at bladene stadig kan bevæge sig, selv om der er slukket for maskinen.
45. Skift af sikkerhedsårsager slidte eller beskadigede dele ud med nye. Anvend kun originale udskiftningsdele og originalt tilbehør.
46. Få udført service på maskinen hos en kvalificeret mekaniker, og brug kun identiske reservedele. Dette sikrer, at maskinens sikkerhed opretholdes.
47. Følg instruktionerne for smøring og udskiftning af tilbehør.
48. Hold håndtagene tørre, rene og fri for olie og fedt.
49. Kontroller, at strømforsyningens spænding og frekvens svarer til specifikationerne på identifikationspladen. Vi anbefaler brug af en reststrømbryder (jordfejlstørbryder) med en udløserstrøm på 30 mA eller derunder eller en fejlstrømbryder.
50. Denne maskine kan bruges af børn på 8 år og derover samt af personer med nedsatte fysiske, sensoriske eller mentale evner eller manglende erfaring eller viden, hvis de er under opsyn eller har modtaget instruktion på sikker anvendelse af maskinen og forstår de farer, der er involveret. Rengøring og bruger-vedligeholdelse må ikke udføres af børn, som ikke er under opsyn.

Fejlstrømsrisici

Selv om du betjener dette produkt under overholdelse af alle sikkerhedskrav, vil der være mulige risici for personskade og tingskade. Følgende farer kan opstå i forbindelse med dette produkts struktur og design.

1. Sundhedsskader som følge af vibrationsafgivelse, hvis produktet benyttes i længere tid ad gangen eller ikke håndteres passende og vedligeholdes korrekt.
2. Personsikade og tingskade på grund af ødelagt tilbehørværktøj eller pludselige slag fra skjulte objekter under brugen.
3. Fare for personsikade og tingskade forårsaget af flyvende objekter.

⚠ ADVARSEL: Dette produkt frembringer et elektromagnetisk felt under brugen. Dette felt kan under visse omstændigheder forstyrre aktive eller passive indopererede medicinske apparater. For at mindske risikoen for alvorlig eller dødelig personsikade anbefaler vi, at personer med indopererede medicinske apparater kontakter deres læge og producenten af de indopererede medicinske apparater, før de betjener dette produkt.

GEM DENNE BRUGSANVISNING.

⚠ ADVARSEL: LAD IKKE bekvemmelighed eller kendskab til produktet (opnået gennem gentagen brug) forhindre, at sikkerhedsforskrifterne for produktet nøje overholdes.

MISBRUG eller forsømmelse af at følge de i denne brugsvejledning givne sikkerhedsforskrifter kan føre til, at De kommer alvorligt til skade.

SAMLING

⚠ FORSIGTIG: Sørg altid for, at maskinen er slukket og taget ud af forbindelse, inden der udføres nogen form for arbejde på maskinen.

Samling af håndtaget

1. Tag det øverste håndtag af maskinens hovedenhed.
▶ **Fig.1:** 1. Øverste håndtag
2. Løsn fingermøtrikkerne.
▶ **Fig.2:** 1. Fingermøtrik
3. Spred håndtaget en smule udad, og løft derefter håndtaget.
▶ **Fig.3:** 1. Håndtag
4. Juster højden af håndtaget ved at justere pilen i forhold til mærket.
▶ **Fig.4:** 1. Fingermøtrik 2. Mærke 3. Pil
5. Stram fingermøtrikkerne.
▶ **Fig.5:** 1. Fingermøtrik
6. Monter det øverste håndtag ved at sætte armene ind fra håndtagets yderside og derefter stramme møtrikkerne med nøglen for at fastgøre håndtaget.
▶ **Fig.6:** 1. Arm 2. Møtrik
7. Fastgør ledningerne med klemmerne som vist på figuren.
▶ **Fig.7:** 1. Klemme

Montering af græskurven

1. Fastgør rørene på græskurven til rammen.
▶ **Fig.8:** 1. Rør 2. Ramme
2. Åbn bagdækslet.
▶ **Fig.9:** 1. Bagdæksel
3. Fastgør græskurven på bagenden af maskinen.
▶ **Fig.10**

Følg monteringsproceduren i omvendt rækkefølge for at fjerne græskurven.

Tilslutning af forlængerledning

⚠ ADVARSEL: Ved tilslutning af forlængerledningen til strømstikket på maskinen skal De sikre Dem, at afbryderarmen er sluppet, og at ledningen ikke er sat i stikkontakten.

⚠ ADVARSEL: Undlad at tilslutte eller frakoble forlængerledningen med våde hænder.

BEMÆRKNING: Ved tilslutning af forlængerledningen til strømstikket på maskinen skal De sikre Dem, at det er sat helt ind i kontakten.

Ved tilslutning af forlængerledningen skal De sætte den over krogen på håndtaget som vist på figuren for at forhindre, at den falder ud ved et uheld ved overdreven belastning af stikket.

► Fig.11: 1. Krog 2. Forlængerledning

FUNKTIONSBESKRIVELSE

Indstilling af klippehøjden

⚠ ADVARSEL: Før klippehøjden justeres, skal De tage forlængerledningen ud af stikkontakten og kontrollere, at bladene er stoppet helt.

⚠ ADVARSEL: Stik aldrig en hånd eller et ben ind under plæneklipperen, når De indstiller klippehøjden.

De kan justere klippehøjden i intervallet 20 mm til 55 mm (for ELM3320/ELM3720) eller 20 mm til 75 mm (for ELM4120). Klippehøjden kan justeres til 3 niveauer (for ELM3320/ELM3720) eller 7 niveauer (for ELM4120).

For ELM3320/ELM3720

► Fig.12: 1. Justeringsarm

For ELM4120

► Fig.13: 1. Justeringsarm

Hold håndtaget med den ene hånd, og flyt derefter justeringsarmen med den anden hånd.

► Fig.14: 1. Justeringsarm

BEMÆRK: Udfør en testklipping på et mindre øjne-faldende sted for at opnå den ønskede højde.

Afbryderbetjening

⚠ ADVARSEL: Før maskinen tilkøbes, skal De altid kontrollere, at afbryderarmen aktiveres korrekt og vender tilbage til "FRA"-stillingen, når den slippes.

⚠ ADVARSEL: Af hensyn til Deres sikkerhed er maskinen forsynet med lås fra-knap, der forhindrer, at maskinen starter ved et uheld. Brug aldrig maskinen, hvis den starter, når De trykker på afbryderarmen uden at trykke på lås fra-knappen. Kontakt det lokale Makita servicecenter for reparation.

⚠ ADVARSEL: De må aldrig deaktivere låsefunktionen eller holde lås fra-knappen nede med tæpe.

BEMÆRKNING: Undlad at presse afbryderarmen ind med magt uden at trykke på lås fra-knappen. Afbryderen kan gå i stykker.

Maskinen startes ved at trykke på lås fra-knappen og derefter presse afbryderarmen ind. Slip afbryderarmen for at stoppe maskinen.

► Fig.15: 1. Afbryderarm 2. Lås fra-knap

Niveauidikator for græskurv

Niveauidikatoren for græskurven åbnes under klipning, hvis græskurven ikke er fuld. Hvis græskurven er fuld, lukkes niveauidikatoren under klipning. Tøm græskurven, før klipningen begynder, hvis den er fuld.

► Fig.16: 1. Niveauidikator

► Fig.17: 1. Niveauidikator

Indstilling af håndtagets højde

Højden af håndtaget kan indstilles til tre niveauer. Løsn fingermøtrikkerne, idet der holdes i håndtaget, og indstil derefter højden af håndtaget ved at justere pilen i forhold til et af mærkerne, og stram derefter fingermøtrikkerne.

► Fig.18: 1. Fingermøtrik 2. Mærke 3. Pil

Motorbeskyttelsessystem (sikringsanordning)

⚠ ADVARSEL: Hvis maskinen stopper pludseligt under brugen, skal De slippe afbryderarmen og tage forlængerledningen ud. Ellers kan maskinen pludselig starte igen og forårsage personskade.

⚠ FORSIGTIG: Før De fjerner en genstand, der fastklemmer bladet, skal De sørge for at bære handsker og tage forlængerledningen ud af stikkontakten.

Hvis afskåret græs eller snavs sidder fast inde i maskinens kabinet, stopper maskinen automatisk for at beskytte motoren (sikringsanordning). Tag i så fald forlængerledningen ud af stikkontakten, og fjern derefter det materiale, der har klemt sig fast, og lad derefter maskinen køle ned i nogle minutter, før der tændes for maskinen igen.

BEMÆRK: Sikringsanordningen kan blive aktiveret, hvis vådt eller langt græs sætter sig fast inde i maskinens kabinet.

ANVENDELSE

Klipning

⚠ ADVARSEL: Fjern grene og sten fra klippingsområdet inden klippingen. Fjern også på forhånd alt ukrudt fra klippingsområdet.

► Fig.19

⚠ ADVARSEL: Bær altid beskyttelsesbriller eller sikkerhedsbriller med sideafskærmning, når De anvender plæneklipperen.

⚠ FORSIGTIG: Hvis afklippet græs eller et fremmedlegeme sætter sig fast inde i maskinens kabinet, skal De sørge for at slukke for strømmen og derefter tage forlængerledningen ud af stikkontakten. Sørg for at bære handsker, før De fjerner græsset eller fremmedlegemet.

⚠ FORSIGTIG: Sørg for at montere græskurven, når maskinen anvendes.

BEMÆRKNING: Brug kun denne maskine til at slå græs. Undlad at klippe ukrudt med maskinen.

Hold godt fast i håndtaget med begge hænder, når De klipper græs.

► Fig.20

Retningslinjen for græsklipningshastighed er cirka én meter for hver fire sekunder.

► Fig.21

Bygnd at slå græsset i nærheden af stikkontakten for at sikre Dem, at forlængerledningen ikke ligger i vejen.

► Fig.22: 1. Stikkontakt 2. Forlængerledning

Lad ikke forlængerledningen passere under eller blive viklet ind under maskinen.

► Fig.23

► Fig.24

Stregerne på begge sider af maskinens kabinet er retningslinjer for klippebredden. Slå græsset i striber, idet stregerne bruges som retningslinjer. Overlap med halvdelen til en tredjedel af den forrige stribe for at klippe plænen jævnt.

► Fig.25: 1. Klipningsbredde 2. Overlappende område 3. Streg

Skift klipningsretning hver gang for at forhindre, at græsmønsteret kun dannes i én retning.

► Fig.26

Kontrollér regelmæssigt græskurven for bortklippet græs. Tøm kurven, før den bliver fuld. Sørg for, at maskinen er stoppet, før hver regelmæssig kontrol.

BEMÆRK: Hvis plæneklipperen anvendes med græskurven fuld, kan der ikke opnås problemfri rotation af bladet, og motoren udsættes for ekstra belastning, hvilket kan føre til sammenbrud.

Klipning af en plæne med højt græs

Forsøg ikke at slå langt græs på én gang. Slå i stedet græsset i trin. Lad der gå en dag eller to mellem klipningerne, indtil plænen er ensartet kort.

► Fig.27

BEMÆRK: Klipning af højt græs til en kort længde i en enkelt arbejdsgang kan bevirke, at græsset dør. Det afklippede græs kan også blokere plæneklipperens indvendige dele.

Kantklipping

Sørg for at flytte maskinen langs kanten, når De klipper i kanten.

► Fig.28

VEDLIGEHOLDELSE

⚠ ADVARSEL: Før der udføres vedligeholdelse, skal De tage forlængerledningen ud af stikkontakten og kontrollere, at bladene er stoppet helt.

⚠ FORSIGTIG: Bær altid handsker, når De udfører vedligeholdelse.

For at opretholde produktets SIKKERHED og PÅLIDELIGHED må reparation, vedligeholdelse eller justering kun udføres af et autoriseret Makita servicecenter eller fabriksservicecenter med anvendelse af Makita reservedele.

Vedligeholdelse efter plæneklipping

Aftør maskinen med en tør klud eller en klud, der er dyppet i sæbevand, efter plæneklippingen. Brug også en blød børste til at børste afklippet græs og snavs væk fra bladene.

BEMÆRKNING: Anvend aldrig benzin, rensebenzin, fortynder, alkohol og lignende. Det kan medføre misfarvning, deformering eller revner.

Opbevaring

1. Tag forlængerledningen ud.

► Fig.29: 1. Forlængerledning

2. Åbn bagdækslet, og fjern derefter græskurven.

► Fig.30: 1. Bagdæksel 2. Græskurv

3. Løsn fingermøtrikkerne, idet De holder håndtaget, spred derefter håndtaget en smule udad, og fold derefter håndtaget sammen.

► Fig.31: 1. Fingermøtrik 2. Håndtag 3. Mærke 4. Pil

⚠ FORSIGTIG: Pas på ikke at få hånden eller fingrene i klemme, når De folder håndtaget sammen.

BEMÆRK: Sørg for, at pilen angiver mærket i den forreste position.

4. Stram fingermøtrikkerne.

► Fig.32: 1. Fingermøtrik

5. Åbn armene, og placer derefter ledningen over armene.

► Fig.33: 1. Arm 2. Ledning

6. Drej armene til midtvejspositionen som vist på figuren.

► Fig.34: 1. Arm

7. Fold håndtaget sammen.

► Fig.35: 1. Håndtag

8. Placer maskinen som vist på figuren.

► Fig.36

⚠FORSIGTIG: Sørg for at opbevare maskinen indendørs og at stille den på en flad overflade.
Ellers kan maskinen vælte og forårsage personskade.

De kan også opbevare maskinen på følgende måde.

1. Tag forlængerledningen ud.

▶ **Fig.37:** 1. Forlængerledning

2. Åbn bagdækslet, og fjern derefter græskurven.

▶ **Fig.38:** 1. Bagdæksel 2. Græskurv

3. Indstil klippehøjden ved hjælp af justeringsarmen.

For ELM3320/ELM3720:

Indstil klippehøjden til "1".

▶ **Fig.39:** 1. Justeringsarm

For ELM4120:

Indstil klippehøjden til "2".

▶ **Fig.40:** 1. Justeringsarm

4. Løsn fingermøtrikkerne, idet De holder håndtaget, spred derefter håndtaget en smule udad, og fold derefter håndtaget sammen.

▶ **Fig.41:** 1. Fingermøtrik 2. Håndtag 3. Mærke 4. Pål

⚠FORSIGTIG: Pas på ikke at få hånden eller fingrene i klemme, når De folder håndtaget sammen.

BEMÆRK: Sørg for, at pilen angiver mærket i den forreste position.

5. Stram fingermøtrikkerne.

▶ **Fig.42:** 1. Fingermøtrik

6. Placer maskinen som vist på figuren.

▶ **Fig.43**

⚠FORSIGTIG: Sørg for at opbevare maskinen indendørs og at stille den på en flad overflade.
Ellers kan maskinen vælte og forårsage personskade.

De kan også opbevare maskinen ved at folde håndtaget.

⚠FORSIGTIG: Hold godt fast i det øverste håndtag, før armene åbnes. Ellers kan håndtaget falde og forårsage personskade.

1. Åbn armene, idet der holdes i det øverste håndtag.

▶ **Fig.44:** 1. Arm

2. Fold det øverste håndtag sammen.

▶ **Fig.45:** 1. Øverste håndtag

Udskiftning af plæneklipperbladet

⚠FORSIGTIG: Undlad at bruge nogen anden nøgle end standardsekskantnøglen ved udskiftning af plæneklipperbladet. Brug af en anden nøgle kan medføre for kraftig eller for løstilspænding, hvilket kan medføre personskade.

1. Tag forlængerledningen ud, og rejs maskinen op. (Se i instruktionerne vedrørende opbevaring.)

2. Sæt stiften i hullet, og hold derefter håndtaget med den ene hånd, og løs den bolten i retningen mod uret ved hjælp af nøglen.

▶ **Fig.46:** 1. Blad 2. Nøgle 3. Stift

3. Fjern plæneklipperbladet.

For ELM3320

Fjern bolten, spændeskiven, plæneklipperbladet og beslaget i denne rækkefølge.

▶ **Fig.47:** 1. Beslag 2. Plæneklipperblad
3. Spændeskive 4. Bolt

For ELM3720/ELM4120

Fjern bolten, spændeskiven, plæneklipperbladet, beslaget og mellemstykket i denne rækkefølge.

▶ **Fig.48:** 1. Mellemstykke 2. Beslag
3. Plæneklipperblad 4. Spændeskive 5. Bolt

4. Monter et nyt plæneklipperblad, sæt derefter stiften i hullet, og hold derefter håndtaget med den ene hånd, og tilspænd bolten fast i retningen med uret ved hjælp af nøglen.

▶ **Fig.49:** 1. Plæneklipperblad 2. Nøgle 3. Stift

Forlængerledning

Du bør kun anvende forlængerledninger til udendørs brug, PVC eller almindelig gummiledning med en tværsnitsareal på mindst 1,5 mm².

Før og under brugen skal De kontrollere netledningen og forlængerledningen for beskadigelse. Anvend ikke apparatet, hvis ledningen er beskadiget eller slidt. Hold forlængerledningen væk fra skærende dele. Hvis ledningen beskadiges under brugen, skal De med det samme tage den ud af stikkontakten. Rør ikke ved ledningen, før De har taget den ud af stikkontakten.

EKSTRAUDSTYR

⚠FORSIGTIG: Det følgende tilbehør og ekstraudstyr er anbefalet til brug med Deres Makita maskine, der er beskrevet i denne brugsanvisning. Anvendelse af andet tilbehør eller ekstraudstyr kan udgøre en risiko for personskade. Anvend kun tilbehør og ekstraudstyr til det beskrevne formål.

Hvis De behøver hjælp ved valg af tilbehør eller ønsker yderligere informationer, bedes De kontakte Deres lokale Makita servicecenter.

- Plæneklipperblad

BEMÆRK: Nogle ting på denne liste kan være inkluderet i værktøjsspakken som standardtilbehør. Det kan være forskellige fra land til land.

ΠΡΟΔΙΑΓΡΑΦΕΣ

Μοντέλο:	ELM3320	ELM3720	ELM4120	
Ταχύτητα χωρίς φορτίο	3.400 min ⁻¹			
Ύψος κουρέματος	20 mm - 55 mm		20 mm - 75 mm	
Πλάτος κοπής	330 mm	370 mm	410 mm	
Αριθμός εξαρτήματος της ανταλλακτικής λάμας της μηχανής γκαζόν	YA00000731	YA00000732	YA00000733	
Διαστάσεις (Μ x Π x Υ)	Κατά τη λειτουργία (με καλάθι γρασιδιού)	M: 1.040 mm έως 1.230 mm Π: 380 mm Υ: 870 mm έως 1.110 mm	M: 1.140 mm έως 1.330 mm Π: 415 mm Υ: 890 mm έως 1.120 mm	M: 1.255 mm έως 1.470 mm Π: 460 mm Υ: 955 mm έως 1.230 mm
	Κατά την αποθήκευση (χωρίς καλάθι γρασιδιού)	350 mm x 380 mm x 1.090 mm	335 mm x 415 mm x 1.090 mm	395 mm x 460 mm x 1.220 mm
Καθαρό βάρος	10,2 kg	11,6 kg	14,5 kg	
Κατηγορία ασφάλειας	II/II			

- Λόγω του συνεχόμενου προγράμματος που εφαρμόζουμε για έρευνα και ανάπτυξη, τα τεχνικά χαρακτηριστικά στο παρόν έντυπο υπόκεινται σε αλλαγή χωρίς προειδοποίηση.
- Τα τεχνικά χαρακτηριστικά μπορεί να διαφέρουν από χώρα σε χώρα.
- Το βάρος μπορεί να διαφέρει ανάλογα με το(α) εξάρτημα(τα). Ο ελαφρύτερος και βαρύτερος συνδυασμός, σύμφωνα με τη διαδικασία ΕΡΤΑ 01/2014, απεικονίζονται στον πίνακα.

Σύμβολα

Παρακάτω παρουσιάζονται τα σύμβολα που χρησιμοποιούνται για τον εξοπλισμό. Βεβαιωθείτε ότι κατανοείτε τη σημασία τους πριν από τη χρήση.



Απαιτούνται ιδιαίτερη φροντίδα και προσοχή.
Διαβάστε το εγχειρίδιο οδηγιών.



ΔΙΠΛΗ ΜΟΝΩΣΗ



Κίνδυνος. Να προσέχετε για εκτοξευόμενα αντικείμενα.
Η απόσταση ανάμεσα στο εργαλείο και τους παρευρισκόμενους πρέπει να είναι τουλάχιστον 15 μέτρα.



Περιμένετε μέχρι όλα τα μέρη του μηχανήματος να έχουν ακινητοποιηθεί πριν τα αγγίξετε.



Κρατήστε το εύκαμπτο καλώδιο παροχής μακριά από τις κοπτικές λάμες.



Προσέχετε τις αιχμηρές λάμες. Οι λάμες συνεχίζουν να περιστρέφονται μετά την απενεργοποίηση του μοτέρ. Βγάλτε το βύσμα από το μηχανήμα πριν από εργασίες συντήρησης ή αν το καλώδιο είναι κατεστραμμένο.



Ο θόρυβος του μηχανήματος δεν είναι υψηλότερος από 96 dB.



Διατηρείτε τα χέρια και τα πόδια σας μακριά. Μη θέτετε τη μηχανή γκαζόν σε λειτουργία εκτός αν τα προστατευτικά και τα προσταγήματα βρίσκονται στη σωστή θέση.



Μόνο για τις χώρες της ΕΕ
Μην απορρίπτετε ηλεκτρικό εξοπλισμό μαζί με τα οικιακά απορρίμματα! Σύμφωνα με την Ευρωπαϊκή Οδηγία σχετικά με απόβλητο ηλεκτρικό και ηλεκτρονικό εξοπλισμό και την ενσωμάτωσή της στην εθνική νομοθεσία, ο ηλεκτρικός εξοπλισμός που έχει φτάσει το τέλος ζωής του πρέπει να συλλέγεται ξεχωριστά και να επιστρέφεται σε περιβαλλοντικά συμβατές εγκαταστάσεις ανακύκλωσης.

Προοριζόμενη χρήση

Το μηχανήμα προορίζεται για το κούρεμα γκαζόν. Μη χρησιμοποιείτε το μηχανήμα για άλλους σκοπούς. Αν χρησιμοποιείτε το μηχανήμα για εργασίες διαφορετικές από την ενδεδειγμένη χρήση, μπορεί να έχει ως αποτέλεσμα μια επικίνδυνη κατάσταση.

Ηλεκτρική παροχή

Το εργαλείο πρέπει να συνδέεται μόνο με ηλεκτρική παροχή της ίδιας τάσης με αυτή που αναγράφεται στην πινακίδα ονομαστικών τιμών και μπορεί να λειτουργήσει μόνο με εναλλασσόμενο μονοφασικό ρεύμα. Υπάρχει διπλή μόνωση και κατά συνέπεια, μπορεί να γίνει σύνδεση σε ακροδέκτες χωρίς σύρμα γείωσης.
Αν το ηλεκτρικό καλώδιο είναι κατεστραμμένο, πρέπει να αντικατασταθεί από τον κατασκευαστή ή τον εκπρόσωπο επισκευών του προκειμένου να αποφευχθεί τυχόν κίνδυνος.

Για δημόσια συστήματα διανομής ηλεκτρικού ρεύματος χαμηλής τάσης μεταξύ 220 V και 250 V

Η ενεργοποίηση και απενεργοποίηση της ηλεκτρικής συσκευής προκαλεί διακυμάνσεις τάσης. Η λειτουργία αυτής της συσκευής κάτω από άσχημες συνθήκες παροχής ηλεκτρικού ρεύματος μπορεί να έχει δυσμενή αποτελέσματα στη λειτουργία άλλου εξοπλισμού. Όταν η αντίσταση κεντρικού ηλεκτρικού ρεύματος είναι ίση με ή μικρότερη από 0,425 Ω (για ELM3720) ή 0,427 Ω (για ELM4120), μπορεί να θεωρηθεί ότι δεν θα υπάρχουν αρνητικές επιδράσεις. Η υποδοχή παροχής ρεύματος για τη συσκευή αυτή πρέπει να προστατεύεται από μια ασφάλεια ή ένα προστατευτικό κύκλωμα διακόπτη που να έχει αργά χαρακτηριστικά απουσύνδεσης.

Θόρυβος

Ισχύον πρότυπο : EN60335

Μοντέλο	Στάθμη ηχητικής πίεσης		Στάθμη ηχητικής ισχύος	
	L _{PA} (dB(A))	Αβεβαιότητα K (dB(A))	L _{PA} (dB(A))	Αβεβαιότητα K (dB(A))
ELM3320	83	3	94	2
ELM3720	83	3	94	1
ELM4120	84	3	93	2

ΠΑΡΑΤΗΡΗΣΗ: Η δηλωμένη τιμή(ές) εκπομπής θορύβου έχει μετρηθεί σύμφωνα με την πρότυπη μέθοδο δοκιμής και μπορεί να χρησιμοποιηθεί για τη σύγκριση ενός εργαλείου με κάποιο άλλο.

ΠΑΡΑΤΗΡΗΣΗ: Η δηλωμένη τιμή(ές) εκπομπής θορύβου μπορεί να χρησιμοποιηθεί και στην προκαταρκτική αξιολόγηση της έκθεσης.

▲ΠΡΟΕΙΔΟΠΟΙΗΣΗ: Να φοράτε ωτοασπίδες.

▲ΠΡΟΕΙΔΟΠΟΙΗΣΗ: Η εκπομπή θορύβου κατά τη χρήση του ηλεκτρικού εργαλείου σε πραγματικές συνθήκες μπορεί να διαφέρει από τη δηλωμένη τιμή(ές) ανάλογα με τους τρόπους χρήσης του εργαλείου, ιδιαίτερα το είδος του τεμαχίου εργασίας που υπόκειται επεξεργασία.

▲ΠΡΟΕΙΔΟΠΟΙΗΣΗ: Φροντίστε να λάβετε τα κατάλληλα μέτρα προστασίας του χειριστή βάσει ενός υπολογισμού της έκθεσης σε πραγματικές συνθήκες χρήσης (λαμβάνοντας υπόψη όλες τις συνιστώσες του κύκλου λειτουργίας όπως τους χρόνους που το εργαλείο είναι εκτός λειτουργίας και όταν βρίσκεται σε αδρανή λειτουργία πέραν του χρόνου ενεργοποίησης).

Κραδασμός

Η ολική τιμή δόνησης (άθροισμα τρι-αξονικού διανύσματος) καθορίζεται σύμφωνα με το EN60335:

Μοντέλο ELM3320

Εκπομπή δόνησης (a_n): 2,5 m/s² ή λιγότερο
Αβεβαιότητα (K): 1,5 m/s²

Μοντέλο ELM3720

Εκπομπή δόνησης (a_n): 2,5 m/s² ή λιγότερο
Αβεβαιότητα (K): 1,5 m/s²

Μοντέλο ELM4120

Εκπομπή δόνησης (a_n): 2,5 m/s² ή λιγότερο
Αβεβαιότητα (K): 1,5 m/s²

ΠΑΡΑΤΗΡΗΣΗ: Η δηλωμένη τιμή(ές) συνολικών κραδασμών έχει μετρηθεί σύμφωνα με την πρότυπη μέθοδο δοκιμής και μπορεί να χρησιμοποιηθεί για τη σύγκριση ενός εργαλείου με κάποιο άλλο.

ΠΑΡΑΤΗΡΗΣΗ: Η δηλωμένη τιμή(ές) συνολικών κραδασμών μπορεί να χρησιμοποιηθεί και στην προκαταρκτική αξιολόγηση της έκθεσης.

▲ΠΡΟΕΙΔΟΠΟΙΗΣΗ: Η εκπομπή κραδασμών κατά τη χρήση του ηλεκτρικού εργαλείου σε πραγματικές συνθήκες μπορεί να διαφέρει από τη δηλωμένη τιμή(ές) εκπομπής ανάλογα με τους τρόπους χρήσης του εργαλείου, ιδιαίτερα το είδος του τεμαχίου εργασίας που υπόκειται επεξεργασία.

▲ΠΡΟΕΙΔΟΠΟΙΗΣΗ: Φροντίστε να λάβετε τα κατάλληλα μέτρα προστασίας του χειριστή βάσει ενός υπολογισμού της έκθεσης σε πραγματικές συνθήκες χρήσης (λαμβάνοντας υπόψη όλες τις συνιστώσες του κύκλου λειτουργίας όπως τους χρόνους που το εργαλείο είναι εκτός λειτουργίας και όταν βρίσκεται σε αδρανή λειτουργία πέραν του χρόνου ενεργοποίησης).

Δήλωση συμμόρφωσης EK

Μόνο για χώρες της Ευρώπης

Η δήλωση συμμόρφωσης EK περιλαμβάνεται ως Παράρτημα Α στο παρόν εγχειρίδιο οδηγιών.

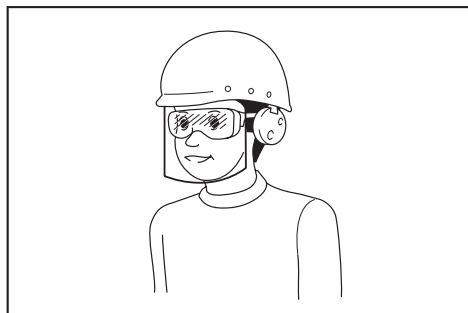
ΠΡΟΕΙΔΟΠΟΙΗΣΕΙΣ ΑΣΦΑΛΕΙΑΣ

ΣΗΜΑΝΤΙΚΕΣ ΟΔΗΓΙΕΣ ΑΣΦΑΛΕΙΑΣ

▲ ΠΡΟΕΙΔΟΠΟΙΗΣΗ: Διαβάστε όλες τις προειδοποιήσεις για την ασφάλεια και όλες τις οδηγίες. Η μη τήρηση των προειδοποιήσεων και οδηγιών μπορεί να καταλήξει σε ηλεκτροπληξία, πυρκαγιά ή/και σοβαρό τραυματισμό.

Φυλάξτε όλες τις προειδοποιήσεις και τις οδηγίες για μελλοντική παραπομπή.

1. Τα παιδιά θα πρέπει να επιτηρούνται για να εξασφαλιστεί ότι δεν παίζουν με τη μηχανή γκαζόν.
2. Μην αφήνετε ποτέ παιδιά ή άτομα που δεν γνωρίζουν αυτές τις οδηγίες να χρησιμοποιούν τη μηχανή γκαζόν. Μπορεί να υπάρχει περιορισμός ηλικίας για το χειριστή βάσει τοπικών κανονισμών.
3. Μην χειρίζεστε ποτέ τη μηχανή γκαζόν όταν άλλα άτομα, ειδικά παιδιά ή κατοικίδια, βρίσκονται σε κοντινή απόσταση.
4. Να θυμάστε ότι ο χειριστής ή ο χρήστης είναι υπεύθυνος για ατυχήματα ή κινδύνους που υφίστανται άλλα άτομα ή η ιδιοκτησία τους.
5. Κατά το χειρισμό της μηχανής γκαζόν να φοράτε πάντα κατάλληλα υποδήματα και μακρύ παντελόνι. Μην χειρίζεστε τη μηχανή γκαζόν ξυπόλυτοι ή με ανοικτά σαντάλια. Αποφεύγετε να φοράτε ρούχα ή κοσμήματα που είναι χαλαρά ή έχουν κορδόνια ή σκοινιά που κρέμονται. Μπορεί να πιαστούν στα κινούμενα μέρη.
6. Να φοράτε πάντα προστατευτικά γυαλιά για να προστατεύετε τα μάτια σας από τραυματισμό όταν χρησιμοποιείτε ηλεκτρικά εργαλεία. Τα προστατευτικά γυαλιά πρέπει να συμμορφώνονται με το πρότυπο ANSI Z87.1 στις ΗΠΑ, το πρότυπο EN 166 στην Ευρώπη ή το πρότυπο AS/NZS 1336 στην Αυστραλία/Νέα Ζηλανδία. Στην Αυστραλία/Νέα Ζηλανδία, απαιτείται από το νόμο να φοράτε και προσωπίδα για την προστασία του προσώπου σας.



Ο εργοδότης έχει την ευθύνη να επιβάλλει τη χρήση κατάλληλου προστατευτικού εξοπλισμού ασφαλείας από τους χειριστές του εργαλείου και από άλλα άτομα που βρίσκονται στην άμεση περιοχή εργασίας.

7. Πριν από τη χρήση, ελέγξτε το ηλεκτρικό καλώδιο για σημάδια ζημιάς ή φθοράς. Αν το καλώδιο υποστεί ζημιά κατά τη χρήση, αποσυνδέστε αμέσως το καλώδιο από την ηλεκτρική παροχή. Μην αγγίζετε το καλώδιο πριν το αποσυνδέσετε από την ηλεκτρική παροχή. Μη χρησιμοποιήσετε τη μηχανή γκαζόν αν το καλώδιο παρουσιάζει ζημιά ή φθορά.
8. Να χειρίζεστε τη μηχανή γκαζόν μόνο όταν έχει ακόμα φως έξω ή με καλό τεχνητό φωτισμό.
9. Αποφεύγετε το χειρισμό της μηχανής γκαζόν σε βρεγμένο γκαζόν.
10. Μην χειρίζεστε ποτέ τη μηχανή γκαζόν στη βροχή.
11. Να κρατάτε πάντα τη λαβή σταθερά.
12. Να είστε πάντα βέβαιοι ότι έχετε καλό πάτημα σε πλαγιές.
13. Να περπατάτε, να μην τρέχετε ποτέ.
14. Μην πιάνετε τις εκτεθειμένες λάμες κοπής ή τα κοπτικά άκρα όταν σηκώνετε ή κρατάτε τη μηχανή γκαζόν.
15. Σωματική κατάσταση - Μην χειρίζεστε τη μηχανή γκαζόν υπό την επήρεια ναρκωτικών, αλκοόλ ή άλλων φαρμάκων.
16. Διατηρείτε τα χέρια και τα πόδια σας μακριά από τις περιστρεφόμενες λάμες. Προσοχή - Οι λάμες συνεχίζουν να περιστρέφονται μετά την απενεργοποίηση της μηχανής γκαζόν.
17. Να χρησιμοποιείτε μόνο γνήσιες λάμες του κατασκευαστή που καθορίζονται σε αυτό το εγχειρίδιο.
18. Πριν από τη λειτουργία, να ελέγχετε προσεκτικά τις λάμες για ραγίσματα ή ζημιά. Να αντικαθιστάτε αμέσως τις ραγισμένες ή κατεστραμμένες λάμες.
19. Βεβαιωθείτε ότι στην περιοχή δεν υπάρχουν άλλα άτομα πριν ξεκινήσετε να κορεύετε το γκαζόν. Σβήστε τη μηχανή γκαζόν αν εισέλθει κάποιος στην περιοχή.
20. Απομακρύνετε ξένα υλικά όπως πέτρες, καλώδια, μπουκάλια, κόκαλα και μεγάλα ζύλα από την περιοχή εργασίας πριν από το κούρεμα του γκαζόν για την αποφυγή προσωπικού τραυματισμού ή πρόκλησης ζημιάς στη μηχανή γκαζόν.
21. Διακόψτε αμέσως τη λειτουργία αν παρατηρήσετε οτιδήποτε ασυνήθιστο. Σβήστε τη μηχανή γκαζόν και βγάλτε το ηλεκτρικό καλώδιο από την ηλεκτρική παροχή. Στη συνέχεια, επιθεωρήστε τη μηχανή γκαζόν.
22. Μην επιχειρήσετε ποτέ να κάνετε ρυθμίσεις του ύψους των τροχών ενώ η μηχανή γκαζόν βρίσκεται σε λειτουργία.
23. Αφήστε το μοχλό διακόπτη και περιμένετε μέχρι να σταματήσει η περιστροφή της λάμας πριν διασχίσετε ιδιωτικούς δρόμους, πεζοδρόμια, δρόμους και οποιαδήποτε περιοχή που είναι καλυμμένη με χαλίκια. Επίσης βγάλτε το ηλεκτρικό καλώδιο από την ηλεκτρική παροχή, αν απομακρυνθείτε από τη μηχανή γκαζόν, αν τεντωθεί για να πιάσετε ή να απομακρυνθείτε κάτι από μπροστά σας ή για οποιονδήποτε άλλο λόγο που μπορεί να αποσπάσει την προσοχή σας από αυτό που κάνετε.

24. Τα αντικείμενα στα οποία έχει προσκρούσει η λάμα της μηχανής γκαζόν μπορεί να προκαλέσουν σοβαρό τραυματισμό σε ανθρώπους. Πρέπει να εξετάζετε προσεκτικά το γκαζόν και να απομακρύνετε όλα τα αντικείμενα που εμποδίζουν πριν από το κάθε κούρεμα του γκαζόν.
25. Αν η μηχανή γκαζόν χτυπήσει σε ένα ξένο αντικείμενο, ακολουθήστε τα εξής βήματα:
 - Σβήστε τη μηχανή γκαζόν, αφήστε το μοχλό διακόπτη και περιμένετε μέχρι να ακινητοποιηθεί πλήρως η λάμα.
 - Βγάλτε το ηλεκτρικό καλώδιο από την ηλεκτρική παροχή.
 - Επιθεωρήστε καλά τη μηχανή γκαζόν για τυχόν ζημιά.
 - Αντικαταστήστε τη λάμα αν έχει υποστεί ζημιά με οποιονδήποτε τρόπο. Επισκευάστε κάθε ζημιά πριν την επανέναρξη και συνεχίστε να χρησιμοποιείτε τη μηχανή γκαζόν.
26. Να ελέγχετε συχνά το καλάθι γρασιδιού για φθορά ή υποβάθμιση. Κατά την αποθήκευση, να φροντίζετε πάντα ώστε το καλάθι γρασιδιού να είναι άδειο. Να αντικαθιστάτε ένα φθαρμένο καλάθι γρασιδιού με ένα καινούργιο εργοστασιακό ανταλλακτικό, για λόγους ασφαλείας.
27. Να είστε ιδιαίτερα προσεκτικοί όταν κινείστε προς τα πίσω ή τραβάτε τη μηχανή γκαζόν προς το μέρος σας.
28. Οι λάμες πρέπει να είναι ακινητοποιημένες όταν πρέπει να γείρετε τη μηχανή γκαζόν για μεταφορά κατά τη διέλευση επιφανειών εκτός από το γκαζόν και κατά τη μεταφορά της μηχανής γκαζόν από και προς την περιοχή όπου θα χρησιμοποιηθεί.
29. Μη χειρίζετε ποτέ τη μηχανή γκαζόν με ελαττωματικά προστατευτικά ή καλύμματα ή χωρίς τις διατάξεις ασφαλείας, για παράδειγμα, διατάξεις παρεκτροπής ή/και καλάθι γρασιδιού, στη θέση τους.
30. Ενεργοποιήστε προσεκτικά τη μηχανή γκαζόν σύμφωνα με τις οδηγίες και με τα πόδια σας μακριά από τις λάμες.
31. Μη γέρνετε τη μηχανή γκαζόν όταν ενεργοποιείτε το μοτέρ, εκτός αν πρέπει να γέρνετε τη μηχανή γκαζόν για την έναρξη. Σε αυτή την περίπτωση, μην τη γέρνετε περισσότερο από όσο είναι απολύτως απαραίτητο και να σηκώνετε μόνο το τμήμα που βρίσκεται μακριά από το χειριστή. Να εξασφαλίζετε πάντα ότι και τα δύο χέρια βρίσκονται στη λειτουργική θέση πριν επιστρέψετε τη συσκευή στο έδαφος.
32. Μην ενεργοποιείτε τη μηχανή γκαζόν όταν στέκεστε μπροστά από το άνοιγμα εκκένωσης.
33. Μη βάζετε τα χέρια ή τα πόδια σας κοντά ή κάτω από περιστρεφόμενα μέρη. Μείνετε μακριά από το άνοιγμα εκκένωσης κάθε στιγμή.
34. Μη μεταφέρετε τη μηχανή γκαζόν ενώ είναι ενεργοποιημένη.
35. Σβήστε τη μηχανή γκαζόν και βγάλτε το φως από την πρίζα. Βεβαιωθείτε ότι όλα τα κινούμενα μέρη έχουν ακινητοποιηθεί πλήρως - κάθε φορά που απομακρύνετε από τη μηχανή γκαζόν,
 - πριν καθαρίσετε εμπόδια ή ξεφράξετε τη χοάνη,
 - πριν ελέγξετε ή καθαρίσετε τη μηχανή γκαζόν ή πριν εκτελέσετε εργασίες σε αυτή,
 - μετά από την πρόσκρουση σε ξένο αντικείμενο. Επιθεωρήστε τη μηχανή γκαζόν για την ύπαρξη ζημιών και πραγματοποιήστε τις επιδιορθώσεις πριν την επανεκκίνηση και τη χρήση της.
36. Αν η μηχανή γκαζόν αρχίσει να δονείται με ασυνήθιστο τρόπο (ελέγξτε αμέσως)
 - επιθεωρήστε για ζημιά,
 - αντικαταστήστε ή επισκευάστε τα κατεστραμμένα μέρη,
 - ελέγξτε για χαλαρά μέρη και σφίξτε τα ανάλογα.
37. Προσέχετε κατά τη διάρκεια ρυθμίσεων στη μηχανή γκαζόν για την αποφυγή παγίδευσης δακτύλων μεταξύ των κινούμενων λαμίων και των σταθερών μερών της μηχανής γκαζόν.
38. Να κινηθείτε κατά πλάτος της πρόσωσης της πλαγιάς, ποτέ προς τα επάνω ή κάτω. Να είστε ιδιαίτερα προσεκτικοί όταν αλλάζετε κατεύθυνση σε πλαγιές. Μην κουρεύετε το γκαζόν σε εξαιρετικά απότομες πλαγιές.
39. Μην πλένετε με λάστιχο. Αποφεύγετε την εισχώρηση νερού στο μοτέρ ή στις ηλεκτρικές συνδέσεις.
40. Ελέγξτε σε τακτικά διαστήματα αν το μπουλόνι στερέωσης λάμας είναι καλά σφιγμένο.
41. Διατηρείτε σφικτά όλα τα παξιμάδια, τα μπουλόνια και τις βίδες για να βεβαιωθείτε ότι ο εξοπλισμός βρίσκεται σε ασφαλή λειτουργική κατάσταση.
42. Προσέχετε επειδή η περιστροφή μίας λάμας μπορεί να προκαλέσει την περιστροφή άλλων λαμίων.
43. Να αφήνετε πάντα τη μηχανή γκαζόν να κρυώσει πριν την αποθήκευση.
44. Κατά την εκτέλεση εργασιών σέρβις στις λάμες, να γνωρίζετε ότι οι λάμες μπορεί να συνεχίζουν να κινούνται παρότι η τροφοδοσία απενεργοποιήθηκε.
45. Αντικαταστήστε τα φθαρμένα ή κατεστραμμένα μέρη για ασφαλεία. Να χρησιμοποιείτε μόνο γνήσια ανταλλακτικά εξαρτήματα και αξεσουάρ.
46. Να φροντίζετε το σέρβις του ηλεκτρικού εργαλείου σας να γίνεται από αρμόδιο επαγγελματία χρησιμοποιώντας μόνο γνήσια ανταλλακτικά. Έτσι θα είστε σίγουροι για τη διατήρηση της ασφαλείας του ηλεκτρικού εργαλείου.
47. Να ακολουθείτε τις οδηγίες για τη λίπανση και την αλλαγή των εξαρτημάτων.
48. Να διατηρείτε τις λαβές στεγνές, καθαρές, χωρίς λάδι και γράσο.
49. Βεβαιωθείτε ότι η τάση και η συχνότητα της ηλεκτρικής παροχής αντιστοιχούν στις προδιαγραφές που αναγράφονται στην αναγνωριστική πινακίδα. Συνιστάται η χρήση ενός αυτόματου διακόπτη που λειτουργεί με παραμένον ρεύμα (διακόπτης κυκλώματος βλάβης γείωσης) με ρεύμα απεμπλοκής των 30 mA ή λιγότερο, ή προστατευτικό ρεύματος διαρροής γείωσης.

50. Το μηχανήμα αυτό μπορεί να χρησιμοποιηθεί από παιδιά άνω των 8 ετών και άτομα με μειωμένες σωματικές, αισθητήριες ή διανοητικές ικανότητες ή που δεν έχουν πείρα και γνώσεις, αν επιτηρούνται ή τους έχουν δοθεί οδηγίες για την ασφαλή χρήση του μηχανήματος και κατανοούν τους κινδύνους που εμπλέκονται. Οι εργασίες καθαρισμού και συντήρησης από το χρήστη δεν θα πρέπει να γίνονται από παιδιά χωρίς επιτήρηση.

Υπολειπόμενοι κίνδυνοι

Ακόμη και εάν χρησιμοποιείτε το προϊόν αυτό σύμφωνα με όλες τις απαιτήσεις ασφαλείας, παραμένουν πιθανοί κίνδυνοι για τραυματισμό και πρόκληση ζημιάς. Οι ακόλουθοι κίνδυνοι μπορούν να προκύψουν σε συνδυασμό με τη δομή και σχεδιασμό αυτού του προϊόντος.

1. Επιπτώσεις στην υγεία λόγω των κραδασμών στην περίπτωση που το προϊόν χρησιμοποιείται για μεγάλες χρονικές περιόδους ή δεν γίνεται επαρκής διαχείριση και σωστή συντήρησή του.
2. Τραυματισμοί και ζημιά σε ιδιοκτησία λόγω σπασμένων ειδικών εργαλείων ή ξαφνικών κρούσεων με μη εμφανή αντικείμενα κατά τη χρήση.
3. Κίνδυνοι τραυματισμού και ζημιάς σε ιδιοκτησία που προκαλούνται από ιπτάμενα αντικείμενα.

▲ ΠΡΟΕΙΔΟΠΟΙΗΣΗ: Το προϊόν αυτό παράγει ένα ηλεκτρομαγνητικό πεδίο κατά τη διάρκεια της λειτουργίας. Το πεδίο αυτό, υπό ορισμένες συνθήκες, μπορεί να προκαλέσει παρεμβολή σε ενεργά ή παθητικά ιατρικά εμφυτεύματα. Για τη μείωση του κινδύνου του σοβαρού ή του θανατηφόρου τραυματισμού, συνιστούμε στα άτομα με ιατρικά εμφυτεύματα να συμβουλευτούν τον ιατρό τους και τον κατασκευαστή του ιατρικού εμφυτεύματος πριν από τον χειρισμό αυτού του προϊόντος.

ΦΥΛΑΞΤΕ ΤΙΣ ΟΔΗΓΙΕΣ ΑΥΤΕΣ.

▲ ΠΡΟΕΙΔΟΠΟΙΗΣΗ: ΜΗΝ επιτρέψετε στην άνεση ή στην εξοικείωσή σας με το προϊόν (που αποκτήθηκε από επανειλημμένη χρήση) να αντικαταστήσει την αυστηρή τήρηση των κανόνων ασφαλείας του παρόντος εργαλείου.

Η ΛΑΝΘΑΣΜΕΝΗ ΧΡΗΣΗ ή η αμέλεια να ακολουθήσετε τους κανόνες ασφαλείας που διατυπώνονται στο παρόν εγχειρίδιο οδηγιών μπορεί να προκαλέσει σοβαρό προσωπικό τραυματισμό.

ΣΥΝΑΡΜΟΛΟΓΗΣΗ

▲ ΠΡΟΣΟΧΗ: Να βεβαιώνετε πάντα ότι το εργαλείο είναι σβηστό και αποσυνδεδεμένο από την ηλεκτρική παροχή πριν εκτελέσετε οποιαδήποτε εργασία σε αυτό.

Συναρμολόγηση της λαβής

1. Ξεφορτώστε την άνω λαβή από την κύρια μονάδα του μηχανήματος.
► **Εικ.1:** 1. Άνω λαβή
2. Χαλαρώστε τα παξιμάδια αντίχειρα.
► **Εικ.2:** 1. Παξιμάδι αντίχειρα
3. Πλατύνετε τη λαβή λίγο προς τα έξω και μετά σηκώστε τη λαβή.
► **Εικ.3:** 1. Λαβή
4. Ρυθμίστε το ύψος λαβής ευθυγραμμίζοντας το βέλος με το σημάδι.
► **Εικ.4:** 1. Παξιμάδι αντίχειρα 2. Σημάδι 3. Βέλος
5. Σφίξτε τα παξιμάδια αντίχειρα.
► **Εικ.5:** 1. Παξιμάδι αντίχειρα
6. Προσαρτήστε την άνω λαβή εισαγάγοντας τους μοχλούς από το εξωτερικό τμήμα της λαβής και μετά σφίξτε τα παξιμάδια με το κλειδί για να ασφαλίσετε τη λαβή.
► **Εικ.6:** 1. Μοχλός 2. Παξιμάδι
7. Ασφαλίστε τα καλώδια με τους σφιγκτήρες όπως απεικονίζεται στην εικόνα.
► **Εικ.7:** 1. Σφιγκτήρας

Τοποθέτηση του καλαθιού γρασιδιού

1. Συνδέστε τους σωλήνες του καλαθιού γρασιδιού στον σκελετό.
► **Εικ.8:** 1. Σωλήνας 2. Σκελετός
2. Ανοίξτε το πίσω κάλυμμα.
► **Εικ.9:** 1. Πίσω κάλυμμα
3. Γαντζώστε το καλάθι γρασιδιού στην πίσω πλευρά του μηχανήματος.
► **Εικ.10**

Για να αφαιρέσετε το καλάθι γρασιδιού, εκτελέστε τη διαδικασία τοποθέτησης με αντίστροφη σειρά.

Σύνδεση του καλωδίου προέκτασης

▲ ΠΡΟΕΙΔΟΠΟΙΗΣΗ: Όταν συνδέετε το καλώδιο προέκτασης στο ηλεκτρικό βύσμα του μηχανήματος, βεβαιωθείτε ότι ο μοχλός διακόπτης βρίσκεται στην απελευθερωμένη θέση και το καλώδιο είναι αποσυνδεδεμένο από την ηλεκτρική παροχή.

▲ ΠΡΟΕΙΔΟΠΟΙΗΣΗ: Μην συνδέετε και μην αποσυνδέετε το καλώδιο προέκτασης με βρεγμένα χέρια.

ΕΙΔΟΠΟΙΗΣΗ: Όταν συνδέετε το καλώδιο προέκτασης στο ηλεκτρικό βύσμα του μηχανήματος, βεβαιωθείτε να το εισαγάγετε πλήρως μέσα στην υποδοχή.

Όταν συνδέετε το καλώδιο προέκτασης, γαντζώστε το πάνω στο γάντζο στη λαβή όπως απεικονίζεται στην εικόνα για να αποφεύγεται η κατά λάθος αποσύνδεση λόγω υπερβολικής καταπόνησης του βύσματος.

- **Εικ.11:** 1. Γάντζος 2. Καλώδιο προέκτασης

ΠΕΡΙΓΡΑΦΗ ΛΕΙΤΟΥΡΓΙΑΣ

Ρύθμιση του ύψους κουρέματος

▲ ΠΡΟΕΙΔΟΠΟΙΗΣΗ: Πριν ρυθμίσετε το ύψος κουρέματος, αποσυνδέστε το καλώδιο προέκτασης από την ηλεκτρική παροχή και ελέγξτε ότι οι λάμες έχουν ακινητοποιηθεί εντελώς.

▲ ΠΡΟΕΙΔΟΠΟΙΗΣΗ: Μη βάζετε ποτέ το χέρι ή το πόδι σας κάτω από τη μονάδα της μηχανής γκαζόν όταν ρυθμίζετε το ύψος κουρέματος.

Μπορείτε να ρυθμίσετε το ύψος κουρέματος στο εύρος των 20 mm έως 55 mm (για ELM3320/ELM3720) ή 20 mm έως 75 mm (για ELM4120). Το ύψος κουρέματος μπορεί να ρυθμιστεί σε 3 επίπεδα (για ELM3320/ELM3720) ή σε 7 επίπεδα (για ELM4120).

Για ELM3320/ELM3720

► **Εικ.12:** 1. Ρυθμιστικός μοχλός

Για ELM4120

► **Εικ.13:** 1. Ρυθμιστικός μοχλός

Κρατήστε τη λαβή με το ένα χέρι και μετά μετακινήστε το ρυθμιστικό μοχλό με το άλλο χέρι.

► **Εικ.14:** 1. Ρυθμιστικός μοχλός

ΠΑΡΑΤΗΡΗΣΗ: Κάντε ένα δοκιμαστικό κούρεμα του γκαζόν σε ένα λιγότερο εμφανές μέρος για να πετύχετε το επιθυμητό ύψος.

Δράση διακόπτη

▲ ΠΡΟΕΙΔΟΠΟΙΗΣΗ: Πριν συνδέσετε το εργαλείο στην ηλεκτρική παροχή, να ελέγχετε πάντα ότι ο μοχλός διακόπτης ενεργοποιείται σωστά και επιστρέφει στην ανενεργή θέση όταν τον αφήνετε.

▲ ΠΡΟΕΙΔΟΠΟΙΗΣΗ: Για την ασφάλειά σας, το μηχάνημα αυτό παρέχεται με κουμπί απασφάλισης το οποίο αποτρέπει την εκκίνηση του εργαλείου κατά λάθος. Μη χρησιμοποιείτε ποτέ το μηχάνημα αν ξεκινάει όταν τραβάτε το μοχλό διακόπτη χωρίς να πατήσετε και το κουμπί απασφάλισης. Απευθυνθείτε στο τοπικό σας κέντρο εξυπηρέτησης της Makita για επισκευές.

▲ ΠΡΟΕΙΔΟΠΟΙΗΣΗ: Μην απενεργοποιείτε ποτέ τη λειτουργία ασφάλισης και μην κολλήσετε πατημένο το κουμπί απασφάλισης με ταινία.

ΕΙΔΟΠΟΙΗΣΗ: Μην τραβάτε το μοχλό διακόπτη δυνατά χωρίς να πατήσετε το κουμπί απασφάλισης. Ο διακόπτης μπορεί να σπάσει.

Για να ξεκινήσετε τη λειτουργία του μηχανήματος, πατήστε το κουμπί απασφάλισης και μετά πιέστε μέσα το μοχλό διακόπτη. Για να σταματήσετε το μηχάνημα, αφήστε το μοχλό διακόπτη.

► **Εικ.15:** 1. Μοχλός διακόπτης 2. Κουμπί απασφάλισης

Ένδειξη στάθμης για το καλάθι γρασιδιού

Η ένδειξη στάθμης του καλάθι γρασιδιού ανοίγει κατά τη διάρκεια του κουρέματος αν το καλάθι γρασιδιού δεν είναι γεμάτο. Αν το καλάθι γρασιδιού είναι γεμάτο, η ένδειξη στάθμης κλείνει κατά τη διάρκεια του κουρέματος. Αν είναι γεμάτο, αδειάστε το καλάθι γρασιδιού πριν ξεκινήσετε το κούρεμα.

► **Εικ.16:** 1. Ένδειξη στάθμης

► **Εικ.17:** 1. Ένδειξη στάθμης

Ρύθμιση του ύψους λαβής

Το ύψος λαβής μπορεί να ρυθμιστεί σε τρία επίπεδα.

Χαλαρώστε τα παξιμάδια αντίχειρα ενώ κρατάτε τη λαβή, μετά ρυθμίστε το ύψος λαβής ευθυγραμμίζοντας το βέλος με ένα από τα σημεία και μετά σφίξτε τα παξιμάδια αντίχειρα.

► **Εικ.18:** 1. Παξιμάδι αντίχειρα 2. Σημάδι 3. Βέλος

Σύστημα προστασίας μοτέρ (ρελέ υπερφόρτισης)

▲ ΠΡΟΕΙΔΟΠΟΙΗΣΗ: Αν το μηχάνημα σταματήσει ξαφνικά ενώ το χρησιμοποιείτε, αφήστε το μοχλό διακόπτη και αποσυνδέστε το καλώδιο προέκτασης. Διαφορετικά, το μηχάνημα μπορεί να εκκινηθεί ξαφνικά και να προκληθεί τραυματισμός.

▲ ΠΡΟΣΟΧΗ: Πριν αφαιρέσετε ένα αντικείμενο που έχει εμπλακεί στη λάμα, βεβαιωθείτε ότι φοράτε γάντια και έχετε βγάλει το καλώδιο προέκτασης από την ηλεκτρική πρίζα.

Αν κομμένο γρασίδι ή χώμα έχει εμπλακεί στο εσωτερικό του κύριου τμήματος, το μηχάνημα σταματάει αυτόματα για να προστατεύσει το μοτέρ (ρελέ υπερφόρτισης). Σε αυτή την περίπτωση, βγάλτε το καλώδιο προέκτασης από την ηλεκτρική πρίζα, μετά αφαιρέστε το υλικό που προκαλεί την εμπλοκή και μετά αφήστε το μηχάνημα να ψυχθεί για λίγα λεπτά πριν ενεργοποιήσετε το μηχάνημα.

ΠΑΡΑΤΗΡΗΣΗ: Το ρελέ υπερφόρτισης μπορεί να ενεργοποιηθεί όταν εμπλακεί βρεγμένο ή μακρύ γρασίδι στο εσωτερικό του κύριου τμήματος.

ΛΕΙΤΟΥΡΓΙΑ

Κούρεμα γκαζόν

▲ ΠΡΟΕΙΔΟΠΟΙΗΣΗ: Πριν κούρεψετε το γκαζόν, καθαρίστε τα ζύλα και τις πέτρες από την περιοχή που θα κούρεψετε. Επιπλέον, καθαρίστε εκ των προτέρων τυχόν αγριόχορτα από την περιοχή που θα κούρεψετε.

► **Εικ.19**

▲ ΠΡΟΕΙΔΟΠΟΙΗΣΗ: Να φοράτε πάντα προστατευτικά γυαλιά-προσωπίδες ή γυαλιά ασφαλείας με πλαϊνά προστατευτικά όταν χειρίζεστε τη μηχανή γκαζόν.

▲ ΠΡΟΣΟΧΗ: Αν το κομμένο γκαζόν ή κάποιο ξένο αντικείμενο κολλήσει μέσα στο κύριο τμήμα της μηχανής γκαζόν, βεβαιωθείτε να απενεργοποιήσετε την ηλεκτρική παροχή και να αποσυνδέσετε το καλώδιο προέκτασης από την ηλεκτρική πρίζα. Πριν αφαιρέσετε το γκαζόν ή το ξένο αντικείμενο, φροντίστε να φορέσετε γάντια.

▲ ΠΡΟΣΟΧΗ: Βεβαιωθείτε ότι έχετε τοποθετήσει το καλάθι γρασιδιού κατά τη λειτουργία του μηχανήματος.

ΕΙΔΟΠΟΙΗΣΗ: Χρησιμοποιήστε αυτό το μηχάνημα μόνο για το κούρεμα του γκαζόν. Μην κουρεύετε αγριόχορτα με αυτό το μηχάνημα.

Κατά το κούρεμα, να κρατάτε τη λαβή σταθερά με τα δύο χέρια.

► **Εικ.20**

Οι κατευθυντήριες οδηγίες για την ταχύτητα κουρέματος είναι περίπου ένα μέτρο ανά τέσσερα δευτερόλεπτα.

► **Εικ.21**

Ξεκινήστε να κουρεύετε το γκαζόν κοντά στην ηλεκτρική πρίζα για να εξασφαλίσετε ότι το καλώδιο προέκτασης δεν γίνει εμπόδιο.

► **Εικ.22:** 1. Ηλεκτρική πρίζα 2. Καλώδιο προέκτασης

Μην αφήσετε το καλώδιο προέκτασης να περάσει κάτω από ή να μπλεχτεί κάτω από το μηχάνημα.

► **Εικ.23**

► **Εικ.24**

Οι γραμμές στις δύο πλευρές του κύριου τμήματος αποτελούν οδηγούς για το πλάτος κουρέματος. Χρησιμοποιώντας τις γραμμές ως οδηγούς, να κουρεύετε το γκαζόν σε λωρίδες. Επικαλύψτε το μισό ή το ένα τρίτο της προηγούμενης λωρίδας για να πετύχετε ομοιόμορφο κούρεμα του γκαζόν.

► **Εικ.25:** 1. Πλάτος κουρέματος 2. Περιοχή επικάλυψης 3. Γραμμή

Να αλλάζετε την κατεύθυνση κουρέματος κάθε φορά για να εμποδίσετε την ανάπτυξη των σπόρων γρασιδιού μόνο προς μία κατεύθυνση.

► **Εικ.26**

Να ελέγχετε περιοδικά το καλάθι γρασιδιού για κουρεμένο γρασίδι. Να αδειάζετε το καλάθι πριν γεμίσει. Πριν από κάθε περιοδικό έλεγχο, βεβαιωθείτε να διακόπτετε τη λειτουργία του μηχανήματος.

ΠΑΡΑΤΗΡΗΣΗ: Η χρήση της μηχανής γκαζόν με το καλάθι γρασιδιού γεμάτο αποτρέπει την ομαλή περιστροφή της λάμας και θέτει επιπλέον φορτίο στο μοτέρ, το οποίο μπορεί να προκαλέσει βλάβη.

Κούρεμα μακριού γκαζόν

Μην προσπαθείτε να κουρέψετε μακρύ γκαζόν με τη μία. Αντ' αυτού, κουρέψτε το γκαζόν σε στάδια. Αφήστε μία ή δύο μέρες ανάμεσα στα κουρέματα, μέχρι το γκαζόν να είναι ομοιόμορφα κοντό.

► **Εικ.27**

ΠΑΡΑΤΗΡΗΣΗ: Αν κουρέψετε το μακρύ γκαζόν κοντό με τη μία μπορεί να έχει ως αποτέλεσμα να νεκρωθεί το γκαζόν. Το κομμένο χορτάρι μπορεί επίσης να φράξει το εσωτερικό της μονάδας της μηχανής γκαζόν.

Κούρεμα άκρων

Όταν κουρεύετε το γκαζόν στην άκρη, φροντίστε να μετακινήτε το μηχάνημα κατά μήκος της άκρης.

► **Εικ.28**

ΣΥΝΤΗΡΗΣΗ

▲ ΠΡΟΕΙΔΟΠΟΙΗΣΗ: Πριν εκτελέσετε τη συντήρηση, αποσυνδέστε το καλώδιο προέκτασης από την ηλεκτρική παροχή και βεβαιωθείτε ότι οι λάμες έχουν ακινητοποιηθεί εντελώς.

▲ ΠΡΟΣΟΧΗ: Όταν εκτελείτε εργασίες συντήρησης, να φοράτε πάντα γάντια.

Για τη διατήρηση της ΑΣΦΑΛΕΙΑΣ και ΑΞΙΟΠΙΣΤΙΑΣ του προϊόντος, οι επισκευές και οποιαδήποτε άλλη εργασία συντήρησης ή ρύθμισης πρέπει να εκτελούνται από εξουσιοδοτημένα ή εργοστασιακά κέντρα εξυπηρέτησης της Makita, χρησιμοποιώντας πάντοτε ανταλλακτικά της Makita.

Συντήρηση μετά το κούρεμα

Μετά το κούρεμα, σκουπίστε το μηχάνημα με ένα στεγνό πανί ή με ένα πανί βυθισμένο σε σαπουνό νερο. Επίσης, χρησιμοποιήστε μια μαλακή βούρτσα για να σκουπίσετε το κομμένο γρασίδι και το χύμα από τις λάμες.

ΕΙΔΟΠΟΙΗΣΗ: Μην χρησιμοποιείτε ποτέ βενζίνη, πετρελαϊκό αιθέρα, διαλυτικό, αλκοόλη ή παρόμοιες ουσίες. Μπορεί να προκληθεί αποχρωματισμός, παραμόρφωση ή ρωγμές.

Αποθήκευση

1. Αποσυνδέστε το καλώδιο προέκτασης.

► **Εικ.29:** 1. Καλώδιο προέκτασης

2. Ανοίξτε το πίσω κάλυμμα και μετά αφαιρέστε το καλάθι γρασιδιού.

► **Εικ.30:** 1. Πίσω κάλυμμα 2. Καλάθι γρασιδιού

3. Χαλαρώστε τα παξιμάδια αντίχειρα ενώ κρατάτε τη λαβή, μετά πλατύνετε τη λαβή λίγο προς τα έξω και μετά διπλώστε τη λαβή.

► **Εικ.31:** 1. Παξιμάδι αντίχειρα 2. Λαβή 3. Σημάδι 4. Βέλος

▲ ΠΡΟΣΟΧΗ: Όταν διπλώνετε τη λαβή, προσέχετε να μην πιαστεί το χέρι ή τα δάχτυλά σας.

ΠΑΡΑΤΗΡΗΣΗ: Βεβαιωθείτε ότι το βέλος υποδεικνύει το σημάδι στην πιο μπροστινή θέση.

4. Σφίξτε τα παξιμάδια αντίχειρα.

► **Εικ.32:** 1. Παξιμάδι αντίχειρα

5. Ανοίξτε τους μοχλούς και μετά τοποθετήστε το καλώδιο πάνω από το μοχλό.

► **Εικ.33:** 1. Μοχλός 2. Καλώδιο

6. Επιστρέψτε τους μοχλούς στα μισά της διαδρομής, όπως απεικονίζεται στην εικόνα.

► **Εικ.34:** 1. Μοχλός

7. Διπλώστε τη λαβή.

► **Εικ.35:** 1. Λαβή

8. Τοποθετήστε το μηχανήμα όπως απεικονίζεται στην εικόνα.

► **Εικ.36**

▲ΠΡΟΣΟΧΗ: Βεβαιωθείτε να αποθηκεύσετε αυτό το μηχανήμα σε εσωτερικό χώρο και να το τοποθετείτε επάνω σε μια επίπεδη επιφάνεια. Διαφορετικά, το μηχανήμα μπορεί να πέσει και να προκληθεί τραυματισμός.

Μπορείτε, επίσης, να αποθηκεύσετε το μηχανήμα όπως περιγράφεται στη συνέχεια.

1. Αποσυνδέστε το καλώδιο προέκτασης.

► **Εικ.37:** 1. Καλώδιο προέκτασης

2. Ανοίξτε το πίσω κάλυμμα και μετά αφαιρέστε το καλάθι γρασιδιού.

► **Εικ.38:** 1. Πίσω κάλυμμα 2. Καλάθι γρασιδιού

3. Ρυθμίστε το ύψος κουρέματος με το ρυθμιστικό μοχλό.

Για **ELM3320/ELM3720:**

Ρυθμίστε το ύψος κουρέματος στο «1».

► **Εικ.39:** 1. Ρυθμιστικός μοχλός

Για **ELM4120:**

Ρυθμίστε το ύψος κουρέματος στο «2».

► **Εικ.40:** 1. Ρυθμιστικός μοχλός

4. Χαλαρώστε τα παξιμάδια αντίχειρα ενώ κρατάτε τη λαβή, μετά πλατύνετε τη λαβή λίγο προς τα έξω και μετά διπλώστε τη λαβή.

► **Εικ.41:** 1. Παξιμάδι αντίχειρα 2. Λαβή 3. Σημάδι 4. Βέλος

▲ΠΡΟΣΟΧΗ: Όταν διπλώνετε τη λαβή, προσέχετε να μην πιαστεί το χέρι ή τα δάχτυλά σας.

ΠΑΡΑΤΗΡΗΣΗ: Βεβαιωθείτε ότι το βέλος υποδεικνύει το σημάδι στην πιο μπροστινή θέση.

5. Σφίξτε τα παξιμάδια αντίχειρα.

► **Εικ.42:** 1. Παξιμάδι αντίχειρα

6. Τοποθετήστε το μηχανήμα όπως απεικονίζεται στην εικόνα.

► **Εικ.43**

▲ΠΡΟΣΟΧΗ: Βεβαιωθείτε να αποθηκεύσετε αυτό το μηχανήμα σε εσωτερικό χώρο και να το τοποθετείτε επάνω σε μια επίπεδη επιφάνεια. Διαφορετικά, το μηχανήμα μπορεί να πέσει και να προκληθεί τραυματισμός.

Επίσης, μπορείτε να αποθηκεύσετε το μηχανήμα αν διπλώσετε τη λαβή.

▲ΠΡΟΣΟΧΗ: Πριν ανοίξετε τους μοχλούς, κρατήστε καλά την άνω λαβή. Διαφορετικά, η λαβή μπορεί να πέσει και να προκληθεί τραυματισμός.

1. Ανοίξτε τους μοχλούς ενώ κρατάτε την άνω λαβή.

► **Εικ.44:** 1. Μοχλός

2. Διπλώστε την άνω λαβή.

► **Εικ.45:** 1. Άνω λαβή

Αντικατάσταση της λάμας της μηχανής γκαζόν

▲ΠΡΟΣΟΧΗ: Μη χρησιμοποιήσετε κανένα άλλο κλειδί εκτός από το τυπικό εξαγωνικό κλειδί, όταν αντικαθιστάτε τη λάμα της μηχανής γκαζόν. Αν χρησιμοποιήσετε διαφορετικό κλειδί, μπορεί να προκληθεί υπερβολικό σφίξιμο ή χαλαρότητα, γεγονός που μπορεί να προκαλέσει τραυματισμό.

1. Αποσυνδέστε το καλώδιο προέκτασης και τοποθετήστε το μηχανήμα όρθιο. (Ανατρέξτε στις οδηγίες για την αποθήκευση.)

2. Εισαγάγετε τον πείρο μέσα στην οπή και μετά κρατήστε τη λαβή με ένα χέρι και χαλαρώστε το μπουλόνι με το κλειδί αριστερόστροφα.

► **Εικ.46:** 1. Λάμα 2. Κλειδί 3. Πείρος

3. Αφαιρέστε τη λάμα της μηχανής γκαζόν.

Για **ELM3320**

Αφαιρέστε το μπουλόνι, τη ροδέλα, τη λάμα της μηχανής γκαζόν και το βραχίονα, με τη σειρά.

► **Εικ.47:** 1. Βραχίονας 2. Λάμα της μηχανής γκαζόν 3. Ροδέλα 4. Μπουλόνι

Για **ELM3720/ELM4120**

Αφαιρέστε το μπουλόνι, τη ροδέλα, τη λάμα της μηχανής γκαζόν, το βραχίονα και τον αποστάτη, με τη σειρά.

► **Εικ.48:** 1. Αποστάτης 2. Βραχίονας 3. Λάμα της μηχανής γκαζόν 4. Ροδέλα 5. Μπουλόνι

4. Συνδέστε μια καινούρια λάμα της μηχανής γκαζόν, μετά εισαγάγετε τον πείρο μέσα στην οπή και μετά κρατήστε τη λαβή με ένα χέρι και σφίξτε καλά το μπουλόνι με το κλειδί δεξιόστροφα.

► **Εικ.49:** 1. Λάμα της μηχανής γκαζόν 2. Κλειδί 3. Πείρος

Καλώδιο προέκτασης

Θα πρέπει να χρησιμοποιείτε μόνο καλώδια προέκτασης που προορίζονται για χρήση σε εξωτερικούς χώρους, κατασκευασμένα από PVC ή καουτσούκ κανονικής χρήσης με εμβαδόν διατομής μεγαλύτερο από 1,5 mm².

Πριν και κατά τη διάρκεια της χρήσης, ελέγξτε το ηλεκτρικό καλώδιο και το καλώδιο προέκτασης για ζημιά. Μη χρησιμοποιήσετε τη συσκευή αν το καλώδιο παρουσιάζει ζημιά ή φθορά. Να κρατάτε το καλώδιο προέκτασης μακριά από τα κοπτικά στοιχεία. Αν το καλώδιο υποστεί ζημιά κατά τη χρήση, αποσυνδέστε αμέσως το καλώδιο από την ηλεκτρική παροχή. Μην αγγίζετε το καλώδιο πριν το αποσυνδέσετε από την ηλεκτρική παροχή.

ΠΡΟΑΙΡΕΤΙΚΑ ΕΞΑΡΤΗΜΑΤΑ

⚠ ΠΡΟΣΟΧΗ: Αυτά τα εξαρτήματα ή προσαρτήματα συνιστώνται για χρήση με το εργαλείο Makita που περιγράφηκε στις οδηγίες αυτές. Η χρήση οποιωνδήποτε άλλων εξαρτημάτων ή προσαρτημάτων μπορεί να προκαλέσει κίνδυνο τραυματισμού σε άτομα. Να χρησιμοποιείτε τα εξαρτήματα ή προσαρτήματα μόνο για την χρήση που προορίζονται.

Εάν χρειάζεστε οποιαδήποτε βοήθεια για περισσότερες πληροφορίες σε σχέση με αυτά τα εξαρτήματα, αποτανθείτε στο τοπικό σας κέντρο εξυπηρέτησης Makita.

- Λάμα της μηχανής γκαζόν

ΠΑΡΑΤΗΡΗΣΗ: Μερικά στοιχεία στη λίστα μπορεί να συμπεριλαμβάνονται στη συσκευασία εργαλείου ως στάνταρ εξαρτήματα. Μπορεί να διαφέρουν ανάλογα με τη χώρα.

TEKNİK ÖZELLİKLER

Model:	ELM3320	ELM3720	ELM4120	
Yüksüz hız	3.400 min ⁻¹			
Kesim yüksekliği	20 mm - 55 mm		20 mm - 75 mm	
Kesim genişliği	330 mm	370 mm	410 mm	
Yedek çim biçme makinesi bıçağı parça numarası	YA00000731	YA00000732	YA00000733	
Boyutlar (U x G x Y)	Çalışma sırasında (çim sepeti ile)	U: 1.040 mm ila 1.230 mm G: 380 mm Y: 870 mm ila 1.110 mm	U: 1.140 mm ila 1.330 mm G: 415 mm Y: 890 mm ila 1.120 mm	U: 1.255 mm ila 1.470 mm G: 460 mm Y: 955 mm ila 1.230 mm
	Depolandığında (çim sepeti olmadan)	350 mm x 380 mm x 1.090 mm	335 mm x 415 mm x 1.090 mm	395 mm x 460 mm x 1.220 mm
Net ağırlık	10,2 kg	11,6 kg	14,5 kg	
Emniyet sınıfı	II/III			

- Sürekli yapılan araştırma ve geliştirmelerden dolayı, burada belirtilen özellikler önceden bildirilmeksizin değiştirilebilir.
- Özellikler ülkeden ülkeye değişebilir.
- Ağırlık, ek parçaya(parçalara) bağlı olarak değişebilir. En hafif ve en ağır kombinasyon, EPTA Prosedürü 01/2014'e göre, tabloda gösterilmiştir.

Semboller

Aşağıdakiler makineniz için kullanılan semboller göstermektedir. Kullanmadan önce manalarını anladığınızdan emin olunuz.



Çok özenli ve dikkatli kullanın.
El kitabını okuyun.



ÇİFT YALITIMLI



Tehlike; sıçrayan nesnelere korunun.
Alet ile etraftaki kişiler arasında en az 15 m mesafe olmalıdır.



Tüm makine bileşenleri tamamen durmadan onlara dokunmayın.



Esnek besleme kablosunu kesici bıçaklardan uzak tutun.



Keskin bıçaklara karşı dikkatli olun. Motor durdurulduktan sonra bıçaklar dönmeye devam eder. Bakımdan önce veya kablo hasar görmüşse fişi makineden çıkarın.



Makinenin gürültüsü en fazla 96 dB'dir.



Ellerinizi ve ayaklarınızı uzak tutun.
Korunmalar ve ek parçalar uygun yerlerinde değilse çim biçme makinesini çalıştırmayın.



Sadece AB ülkeleri için
Elektrik donanımını evsel atıklarla birlikte bertaraf etmeyiniz! Kullanılmış elektrikli cihazları, Elektrikli ve Elektronik Cihaz Atıkları Hakkındaki Avrupa Yönergesine göre ve bu yönergeler ulusal hukuk kurallarına göre uyarılanarak, ayrı olarak toplanmalı ve çevre şartlarına uygun bir şekilde tekrar değerlendirilmeye gönderilmelidir.

Kullanım amacı

Bu makine çim biçmek için tasarlanmıştır. Makineyi başka amaçlarla kullanmayın. Makinenin kullanım amacı dışında başka işlemler için kullanılması tehlikeli durumlara yol açabilir.

Güç kaynağı

Aletin, yalnızca isim levhasında belirtilenle aynı voltajlı güç kaynağına bağlanması gerekir ve yalnızca tek fazlı AC güç kaynağıyla çalıştırılabilir. Çifte yalıtımlıdır ve topraklamasız prizlerle de kullanılabilir.

Besleme kablosu hasar görürse tehlikenin önüne geçmek için kablo üretici firma veya servisi tarafından değiştirilmelidir.

220 V ile 250 V arası umumi düşük voltaj dağıtım sistemleri için

Elektrikli aletlerin açılıp kapatılması gerilim dalgalanmalarına neden olur. Bu cihazın uygun olmayan şebeke elektrliği şartları altında çalıştırılması diğer cihazların çalışmasına olumsuz etkisi olabilir. Şebeke elektrliği empedansı 0,425 Ohm (ELM3720 için) veya 0,427 Ohm (ELM4120 için) değerine eşit veya bundan daha düşük iken olumsuz etki olmayacağı varsayılabilir. Bu cihaz için kullanılan şebeke prizi, yavaş atan özellikli bir sigorta veya koruyucu devre kesici ile korunmalıdır.

Gürültü

Geçeri standart : EN60335

Model	Ses basıncı seviyesi		Ses gücü seviyesi	
	L _{PA} (dB(A))	Belirsizlik K (dB(A))	L _{PA} (dB(A))	Belirsizlik K (dB(A))
ELM3320	83	3	94	2
ELM3720	83	3	94	1
ELM4120	84	3	93	2

NOT: Beyan edilen gürültü emisyonu değer(ler)i bir standart test yöntemine uygun şekilde ölçülmüştür ve bir aleti bir başkasıyla karşılaştırmak için kullanılabilir.

NOT: Beyan edilen gürültü emisyonu değer(ler)i bir ön maruz kalma değerlendirmesi olarak da kullanılabilir.

UYARI: Kulak koruyucuları takın.

UYARI: Elektrikli aletin gerçek kullanımı sırasındaki gürültü emisyonu, aletin kullanım biçimlerine, özellikle işlenen iş parçasının türüne bağlı olarak beyan edilen değer(ler)den farklı olabilir.

UYARI: Gerçek kullanım koşullarındaki tahmini maruziyeti baz alan, operatörü koruyacak güvenlik önlemlerini mutlaka belirleyin (çalışma döngüsü içerisinde aletin kapalı olduğu ve aktif durumda olmasının yanı sıra boşta çalıştığı zamanlar gibi, bütün zaman dilimleri göz önünde bulundurarak).

Titreşim

Titreşim toplam değeri (üç eksenli vektör toplamı) (EN60335 standardına göre hesaplanan):

Model ELM3320

Titreşim emisyonu (a_h): 2,5 m/s²'den az
Belirsizlik (K) : 1,5 m/s²

Model ELM3720

Titreşim emisyonu (a_h): 2,5 m/s²'den az
Belirsizlik (K) : 1,5 m/s²

Model ELM4120

Titreşim emisyonu (a_h): 2,5 m/s²'den az
Belirsizlik (K) : 1,5 m/s²

NOT: Beyan edilen titreşim toplam değer(ler)i bir standart test yöntemine uygun şekilde ölçülmüştür ve bir aleti bir başkasıyla karşılaştırmak için kullanılabilir.

NOT: Beyan edilen titreşim toplam değer(ler)i bir ön maruz kalma değerlendirmesi olarak da kullanılabilir.

UYARI: Elektrikli aletin gerçek kullanımı sırasındaki titreşim emisyonu, aletin kullanım biçimlerine, özellikle işlenen iş parçasının türüne bağlı olarak beyan edilen değer(ler)den farklı olabilir.

UYARI: Gerçek kullanım koşullarındaki tahmini maruziyeti baz alan, operatörü koruyacak güvenlik önlemlerini mutlaka belirleyin (çalışma döngüsü içerisinde aletin kapalı olduğu ve aktif durumda olmasının yanı sıra boşta çalıştığı zamanlar gibi, bütün zaman dilimleri göz önünde bulundurarak).

EC Uygunluk Beyanı

Sadece Avrupa ülkeleri için

EC uygunluk beyanı bu kullanım kılavuzuna Ek A olarak eklenmiştir.

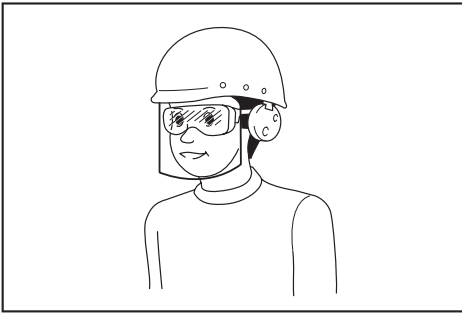
GÜVENLİK UYARILARI

ÖNEMLİ GÜVENLİK TALİMATLARI

UYARI: Tüm güvenlik uyarılarını ve tüm talimatları okuyun. Uyarılara ve talimatlara uyulmaması elektrik şoku, yangın ve/veya ciddi yaralanmalar ile sonuçlanabilir.

Tüm uyarıları ve talimatları iletiride başvurmak için saklayın.

1. Çocuklar çim biçme makinesiyle oynamadıklarından emin olmak için gözlemlenmelidir.
2. Bu talimatlar konusunda bilgisi olmayan çocukların ve büyüklerin çim biçme makinesini kullanmasına asla izin vermeyin. Bazı ülkelerde kullanıcı yaşını sınırlandıran yönetmelikler uygulanıyor olabilir.
3. Çim biçme makinesini asla çevresinde insanlar, özellikle de çocuklar veya evcil hayvanlar varken kullanmayın.
4. Diğer insanlara ya da mallarına gelecek zararlardan ve kazalardan operatör ya da kullanıcının sorumlu olduğunu unutmayın.
5. Çim biçme makinesini kullanırken daima uygun bir ayakkabı ve uzun pantolon giyin. Çim biçme makinesini çıplak ayakla ya da açık sandaletlerle kullanmayın. Bol ya da askılı, bağcıklı kıyafetler veya takılar takmaktan kaçının. Hareket eden parçalara takılabilir.
6. Elektrikli aletleri kullanırken gözlerinizi korumak için daima koruyucu gözlük kullanın. Gözlüklerin ABD'de ANSI Z87.1 ile, Avrupa'da EN 166 ile ya da Avustralya/Yeni Zelanda'da AS/NZS 1336 ile uyumlu olması gereklidir. Avustralya/Yeni Zelanda'da, yüzünüzü korumanız için yüz koruyucu maske kullanılması da yasal olarak gereklidir.



Alet operatörlerinin ve çalışma alanının yakınında çalışan diğer kişilerin uygun koruyucu güvenlik ekipmanlarını kullanmasını sağlanması, işverenin yükümlülüğündedir.

7. Kullanmadan önce besleme ve elektrik kablosunu hasar ve eskimeye karşı kontrol edin. Kablo kullanım sırasında hasar görürse kabloyu derhal besleme kaynağından ayırın. Besleme kaynağından ayırmadan önce kabloya dokunmayın. Kablo hasarlı veya aşınmışsa çim biçme makinesini kullanmayın.
8. Çim biçme makinesini sadece gün ışığında ya da iyi aydınlatma sağlayan yapay ışıktaki kullanın.
9. Çim biçme makinesini ıslak çimlerde kullanmaktan kaçının.
10. Çim biçme makinesini yağmurlu havalarda asla kullanmayın.
11. Tutamağı daima sıkıca tutun.
12. Eğimli yerlerde adımlarınıza daima dikkat edin.
13. Yürüyerek kullanın, asla koşmayın.
14. Çim biçme makinesini kaldırırken veya tutarken açığa kalan keskin bıçakları ya da keskin kenarları tutmayın.
15. Fiziksel durum - Uyuşturucu, alkol ya da herhangi bir ilacın etkisindeyken çim biçme makinesini kullanmayın.
16. Ellerinizi ve ayaklarınızı dönen bıçaklardan uzak tutun. Dikkat - Çim biçme makinesini kapalıktan sonra bıçaklar bir müddet dönmeye devam eder.
17. Sadece bu kılavuzda belirtilen üreticinin orijinal bıçaklarını kullanın.
18. Kullanmadan önce bıçaklarda çatlak ya da hasar olup olmadığını kontrol edin. Çatlak ya da hasarlı bıçakları hemen değiştirin.
19. Biçme işlemine başlamadan önce alanda kimse olmadığını kontrol edin. Alana birisi girerse çim biçme makinesini durdurun.
20. Kişisel yaralanmaları veya çim biçme makinesine zarar gelmesini önlemek için taş, tel, şişe, kemik, kalın dallar gibi yabancı maddeleri biçme işlemine başlamadan önce alandan kaldırın.
21. Anormal bir durum fark ederseniz kullanımı derhal durdurun. Çim biçme makinesini kapatın ve elektrik kablosunu elektrik kaynağından ayırın. Ardından çim biçme makinesini kontrol edin.
22. Çim biçme makinesini çalışırken asla tekerlek yüksekliği ayarı yapmaya çalışmayın.

23. Taş yollarından, kaldırımlardan, geçitlerden ve çakıl kaplı alanlardan geçmeden önce anahtar kolunu serbest bırakın ve bıçak dönüşünün durmasını bekleyin. Çim biçme makinesini bıraktığınızda, yolunuza çıkan bir şeyi almak ya da kaldırmak için durduğunuzda ya da dikkatinizi kaçırarak herhangi bir olay olduğunda da elektrik kablosunu elektrik kaynağından ayırın.
24. Çim biçme makinesi bıçağının çarptığı nesnelere etraftaki kişilerin ciddi şekilde yaralanmasına sebep olabilir. Her biçme işleminden önce çim kontrol edilmeli ve üzerindeki tüm nesnelere kaldırılmalıdır.
25. Çim biçme makinesi yabancı bir cisme çarparsa şu adımları izleyin:
 - Çim biçme makinesini durdurun, anahtar kolunu serbest bırakın ve bıçak tamamen durana kadar bekleyin.
 - Elektrik kablosunu elektrik kaynağından ayırın.
 - Çim biçme makinesinde hasar olup olmadığını dikkatlice kontrol edin.
 - Herhangi bir şekilde zarar görmüşse bıçağı değiştirin. Yeniden başlatmadan ve çim biçme makinesini kullanmaya devam etmeden önce herhangi bir hasar varsa onarın.
26. Çim sepetini aşınma ve yıpranmalara karşı sık sık kontrol edin. Saklarken çim sepetinin boş olduğundan daima emin olun. Güvenlik için, yıpranmış çim sepetini yeni bir orijinal çim sepetiyle değiştirin.
27. Geri geri giderken ya da çim biçme makinesini kendinize doğru çekerken çok dikkatli olun.
28. Çim dışındaki yüzeylerden geçerken çim biçme makinesinin eğilmesi gerekiyorsa ve makineyi kullanılabilecek alana ya da kullanılan alandan dışarı taşırken bıçağı/bıçakları durdurun.
29. Çim biçme makinesini hasarlı koruma veya siperle ya da deflektör ve/veya çim sepeti gibi güvenlik aygıtları yerine takılı olmadan kullanmayın.
30. Çim biçme makinesini talimatlara uygun olarak çalıştırın ve ayaklarınızı bıçaktan/bıçaklardan uzak tutun.
31. Başlatma için çim biçme makinesinin eğilmesi gereken durumlar haricinde, motoru çalıştırmak için makineyi eğmeyin. Eğmenin gerekli olduğu durumlarda gereken miktardan fazla eğmeyin ve sadece kullanıcıdan uzakta olan kısmı kaldırın. Aleti yere koymadan önce her iki elinizin çalışma konumunda olduğundan mutlaka emin olun.
32. Boşaltma ağzının önünde dururken çim biçme makinesini başlatmayın.
33. Ellerinizi veya ayaklarınızı dönen parçaların yakınına ya da altına koymayın. Boşaltma ağzından daima uzak durun.
34. Çim biçme makinesi çalışırken bir yerden bir yere nakletmeyin.
35. Çim biçme makinesini durdurun ve fişi prizden çıkarın. Şunları yapmadan önce hareket eden tüm parçaların tamamen durduğundan emin olun:
 - çim biçme makinesini kullanmayı bıraktığınızda,
 - tıkanmaları temizlemeden ya da sepeti boşaltmadan önce,
 - kontrol etmeden, temizlemeden veya çim biçme makinesini üzerinde çalışmadan önce;
 - yabancı bir cisme çarptığınızda. Aşağıdaki durumlarda çim biçme makinesinde hasar olup olmadığını kontrol edin ve makineyi yeniden başlatmadan ve çalıştırmadan önce gerekli onarımları yaptırın.

36. Çim biçme makinesi anormal şekilde titremeye başlarsa (hemen kontrol edin)
 - hasarı tespit edin,
 - hasarlı parçaları değiştirin veya onarın,
 - parçaların gevşek olup olmadığını kontrol edin, gevşek olanları sıkın.
37. Çim biçme makinesini ayarlarken parmaklarınızı hareketli bıçaklar ile çim biçme makinesinin sabit parçaları arasına sıkıştırmamaya dikkat edin.
38. Eğimli bölgelerde çimleri enlemesine biçin, asla yukarı veya aşağı doğru biçmeyin. Eğimli bölgelerde yön değiştirirken çok dikkat edin. Dik eğimli bölgelerdeki çimleri aşırı derecede biçmeyin.
39. Hortumla yıkamayın; motora ve elektrikli bağlantılara su kaçmasını önleyin.
40. Uygun şekilde sıkıldığından emin olmak için bıçak montaj civatasını belirli aralıklarla kontrol edin.
41. Güvenli bir çalışma için tüm somun, civata ve vidaların sıkı olduğundan emin olun.
42. Dönen bir bıçak diğer bıçakların dönmesine neden olabileceğinden dikkatli olun.
43. Çim biçme makinesini depolamadan önce soğuduğundan daima emin olun.
44. Bıçaklarla ilgili işlem yaparken, güç kaynağı kapalı olsa da bıçakların hareket edebileceğini unutmayın.
45. Güvenlik için, aşınmış veya hasar görmüş parçaları değiştirin. Sadece orijinal yedek parça ve aksesuar kullanın.
46. Elektrikli aletinizi, kalifiye onarım personeline sadece orijinal yedek parça kullanarak servis yaptırın. Bu sayede elektrikli aletinizin güvenliği korunacaktır.
47. Yağlama ve aksesuar değişimi ile ilgili talimatları izleyin.
48. Tutamakları kuru, temiz ve yağ ile gresten arınmış tutun.
49. Güç kaynağının gerilim ve frekansının tip plakasında verilen teknik özelliklere karşılık geldiğine emin olmak için kontrol edin. Atma akımı en fazla 30 mA olan artık akımla çalışan devre kesici (kaçak akım rölesi) veya toprak kaçağı akım koruyucu aygıt kullanılması önerilir.
50. Bu makine 8 yaş ve üstü çocuklar ile fiziksel, duyuşsal ya da zihinsel yetenekleri kısıtlı olan veya deneyim ya da bilgileri olmayan kişiler tarafından, gözetim altında veya makinenin güvenli bir şekilde kullanımına ilişkin talimat verilerek ve içerdiği tehlikeleri anlamaları şartıyla kullanılabilir. Temizlik ve kullanıcı bakım işlemleri gözetim altında olmadan çocuklar tarafından yapılmamalıdır.

Artık riskler

Bu ürünü tüm güvenlik gereklerine uygun olarak kullanırsanız bile potansiyel yaralanma ve hasar riskleri söz konusudur. Bu ürünün yapısı ve tasarımı ile bağlantılı aşağıdaki tehlikeler meydana gelebilir.

1. Ürünün uzun sürelerle kullanılması veya yeterince yönetilmemesi ve uygun bakım yapılmaması durumunda titreşim emisyonundan kaynaklanan sağlık sorunları.
2. Kullanım sırasında kırılan uygulama aletleri veya gizli maddeleri ani çarpma sonucu yaralanma ve maddi hasarlar.
3. Uçuşan maddeler sonucu yaralanma ve maddi hasar tehlikesi.

⚠UYARI: Bu ürün kullanılırken sırasında elektromanyetik alan üretir. Bu alan bazı durumlarda aktif veya pasif tıbbi implantlara müdahale edebilir. Ciddi veya ölümcül yaralanma riskini azaltmak için tıbbi implant bulunan kişilerin bu ürünü kullanmadan önce doktorlarına ve tıbbi implant üreticilerine danışmaları önerilir.

BU TALİMATLARI SAKLAYIN.

⚠UYARI: Ürünü kullanırken (defalarca kullanınca kazanılan) rahatlık ve tanıdıklık duygusunun ilgili ürünün güvenlik kurallarına sıkı sıkıya bağlı kalmanın yerine geçmesine İZİN VERMEYİN.

YANLIŞ KULLANIM veya bu kullanma kılavuzunda belirtilen emniyet kurallarına uymama ciddi yaralanmaya neden olabilir.

MONTAJ

⚠DİKKAT: Alet üzerinde herhangi bir iş yapmadan önce aletin kapalı ve fişinin çekili olduğundan daima emin olun.

Tutamağın monte edilmesi

1. Üst tutamağı makinenin ana ünitesinden alın.
▶ **Şek.1:** 1. Üst tutamak
2. Tırtıllı somunları gevşetin.
▶ **Şek.2:** 1. Tırtıllı somun
3. Tutamağı bir miktar dışarı doğru açın ve ardından tutamağı kaldırın.
▶ **Şek.3:** 1. Tutamak
4. Oku işaret ile hizalayarak tutamak yüksekliğini ayarlayın.
▶ **Şek.4:** 1. Tırtıllı somun 2. İşaret 3. Ok
5. Tırtıllı somunları sıkın.
▶ **Şek.5:** 1. Tırtıllı somun
6. Kolları tutamağın dışından sokarak üst tutamağı takın ve daha sonra somunları anahtarla sıkarak tutamağı sabitleyin.
▶ **Şek.6:** 1. Kol 2. Somun
7. Kabloları şekilde gösterildiği gibi kelepçelerle sabitleyin.
▶ **Şek.7:** 1. Kelepçe

Çim sepetinin takılması

1. Çim sepetinin borularını şaseye takın.
▶ **Şek.8:** 1. Boru 2. Şase
2. Arka kapağı açın.
▶ **Şek.9:** 1. Arka kapak
3. Çim sepetini makinenin arka tarafına asın.
▶ **Şek.10**

Çim sepetini çıkarmak için, takma prosedürünün tersten uygulayın.

Uzatma kablosunun bağlanması

UYARI: Makinenin elektrik fişine uzatma kablosu bağlarken anahtar kolunun boşta ve kablunun güç kaynağından ayrılmış olduğundan emin olun.

UYARI: Uzatma kablosunu ıslak ellerle takmayın veya ayırmayın.

ÖNEMLİ NOT: Makinenin elektrik fişine uzatma kablosu bağlarken prize tam soktuğunuzdan emin olun.

Uzatma kablosunu bağlarken fişin aşırı gerilme sonucu kazara çıkmasını engellemek için uzatma kablosunu şekilde gösterildiği gibi tutamak üzerindeki kancaya asın.

► **Şek.11:** 1. Kanca 2. Uzatma kablosu

İŞLEVSEL NİTELİKLER

Biçme yüksekliğinin ayarlanması

UYARI: Biçme yüksekliğini ayarlamadan önce uzatma kablosunu güç kaynağından ayırın ve bıçakların tamamen durduğunu kontrol edin.

UYARI: Biçme yüksekliğini ayarlarken ellerinizi ve ayaklarınızı asla çim biçme makinesinin gövdesinin altına koymayın.

Biçme yüksekliğini 20 mm ila 55 mm (ELM3320/ELM3720 için) veya 20 mm ila 75 mm (ELM4120 için) aralığında ayarlayabilirsiniz. Biçme yüksekliği 3 seviyede (ELM3320/ELM3720 için) veya 7 seviyede (ELM4120 için) ayarlanabilir.

ELM3320/ELM3720 için

► **Şek.12:** 1. Ayarlama kolu

ELM4120 için

► **Şek.13:** 1. Ayarlama kolu

Tutamağı bir elinizle tutun ve ardından ayarlama kolunu diğer elinizle hareket ettirin.

► **Şek.14:** 1. Ayarlama kolu

NOT: İsteddiğiniz yüksekliği elde etmek için az görünen bir yerdeki çimleri biçerek deneyin.

Anahtar işlemi

UYARI: Aletin fişini prize takmadan önce, anahtar kolunun düzgün çalıştığını ve bırakıldığında kapalı pozisyona döndüğünü mutlaka kontrol edin.

UYARI: Güvenliğiniz için bu makine, aletin istenmeyen şekilde çalışmasını engellemek için bir kilitleme düğmesi ile donatılmıştır. Kilitleme düğmesine basmadan anahtar kolunu çektiğinizde makine çalışıyorsa makineyi asla kullanmayın. Yerel Makita servis merkezimize iletin.

UYARI: Asla kilitleme fonksiyonunu devre dışı bırakmayın veya kilitleme düğmesini basılı olarak bantlamayın.

ÖNEMLİ NOT: Kilitleme düğmesine basmadan anahtar kolunu zorlayarak çekmeyin. Anahtar kırılabilir.

Makineyi çalıştırmak için kilitleme düğmesine basın ve ardından anahtar kolunu çekin. Makineyi durdurmak için anahtar kolunu bırakın.

► **Şek.15:** 1. Anahtar kolu 2. Kilitleme düğmesi

Çim sepeti seviye göstergesi

Çim sepeti seviye göstergesi, çim sepeti dolu değilse çim biçme sırasında açılır. Çim sepeti dolu ise, çim biçme sırasında seviye göstergesi kapanır. Dolu ise çim biçmeye başlamadan önce çim sepetini boşaltın.

► **Şek.16:** 1. Seviye göstergesi

► **Şek.17:** 1. Seviye göstergesi

Tutamak yüksekliğinin ayarlanması

Tutamak yüksekliği üç seviyede ayarlanabilir. Tutamağı tutarken tırtıllı somunları gevşetin, ardından oku işaretlerinden biri ile hizalayarak tutamak yüksekliğini ayarlayın ve sonra tırtıllı somunları sıkın.

► **Şek.18:** 1. Tırtıllı somun 2. İşaret 3. Ok

Motor koruma sistemi (Aşırı akım rölesi)

UYARI: Çalışırken makine aniden durursa anahtar kolunu bırakın ve uzatma kablosunu ayırın. Aksi takdirde makine aniden yeniden başlayarak yaralanmaya neden olabilir.

DİKKAT: Bıçağa sıkışan bir cismi çıkarmadan önce eldiven giydiğinizden ve uzatma kablosunu elektrik prizinden ayırdığınızdan emin olun.

Ana gövdeye kesilen çim veya çer çöp sıkışırsa motoru korumak için makine otomatik olarak durur (aşırı akım rölesi). Bu durumda uzatma kablosunu elektrik prizinden ayırın, ardından sıkışmaya neden olan maddeyi çıkarın ve sonra makineyi çalıştırmadan önce bir kaç dakika makinenin soğumasını bekleyin.

NOT: Aşırı akım rölesi, ana gövdeye yaş veya uzun çim takıldığında devreye girebilir.

KULLANIM

Çim biçme

UYARI: Çim biçmeye başlamadan önce biçme alanındaki kalın dalları ve taşları kaldırın. Ayrıca yabancı otları da biçme alanından önceden temizleyin.

► **Şek.19**

⚠UYARI: Çim biçme makinesini kullanırken daima yanları korumalı güvenlik gözlükleri takın.

⚠DİKKAT: Kesilen çim veya yabancı madde çim biçme makinesinin gövdesinin içinde sıkışırsa mutlaka gücü kapatın ve ardından uzatma kablo-sunu elektrik prizinden ayırın. Çim veya yabancı maddeyi çıkarmadan önce mutlaka eldiven giyin.

⚠DİKKAT: Makineyi kullanırken çim sepetini mutlaka takın.

ÖNEMLİ NOT: Bu makineyi sadece çim biçmek için kullanın. Bu makine ile ot biçmeyin.

Biçme sırasında, tutamakları her iki elinizle sıkıca tutun.
► **Şek.20**

Çim biçme hızı prensibi yaklaşık olarak dört saniyede bir metredir.

► **Şek.21**

Uzatma kablosunun engel teşkil etmemesini sağlamak için biçmeye, elektrik prizinin yanından başlayın.
► **Şek.22:** 1. Elektrik prizi 2. Uzatma kablosu

Uzatma kablosunun makinenin altından geçmemesine veya altına takılmamasına dikkat edin.

► **Şek.23**

► **Şek.24**

Ana gövdenin her iki tarafındaki çizgiler, biçme genişliği referanslarıdır. Çizgileri referans olarak kullanarak şeritler halinde biçin. Çimi eşit biçmek için önceki şeridin genişliğinin ikide bir ile üçte bir oranında bir kısmında üstünden tekrar geçecek şekilde biçin.

► **Şek.25:** 1. Biçme genişliği 2. Örtüşen kısım 3. Çizgi

Çim deseninin tek yönde oluşmasını engellemek için biçme yönünü her seferinde değiştirin.

► **Şek.26**

Çim sepetindeki biçilen çimi periyodik olarak kontrol edin. Dolmadan önce sepeti boşaltın. Her periyodik kontrol öncesinde makineyi mutlaka durdurun.

NOT: Çim biçme makinesini çim sepeti dolu olarak kullanmak bıçakların düzgün bir şekilde dönmesini engeller ve motora aşırı yük bindirir, bu da arızaya sebep olabilir.

Uzamış çimlerin biçilmesi

Uzamış çimlerin tümünü tek seferde biçmeye çalışmayın. Bunun yerine, çimi adımlar halinde biçin. Çim eşit bir biçimde kısalana kadar biçme işlemleri arasında bir veya iki gün bırakın.

► **Şek.27**

NOT: Uzamış çimlerin bir seferde kısaltılması çimin ölmesine sebep olabilir. Kesilen çimler çim makinesinin gövdesinin içinde tıkanıklığa sebep olabilir.

Kenar biçme

Kenarda biçme yaparken makineyi mutlaka kenar boyunca hareket ettirin.

► **Şek.28**

BAKIM

⚠UYARI: Bakım yapmadan önce uzatma kablo-sunu güç kaynağından ayırın ve bıçakların tamamen durduğunu kontrol edin.

⚠DİKKAT: Bakım yaparken mutlaka eldiven giyin.

Aleti EMNİYETLİ ve ÇALIŞMAYA HAZIR durumda tutmak için onarımlar, başka her türlü bakım ve ayarlamalar daima Makita yedek parçaları kullanılarak Makita yetkili servis merkezleri veya Fabrikanın Servis Merkezleri tarafından yapılmalıdır.

Biçme sonrasında bakın

Biçme sonrasında makineyi kuru bir bezle veya sabunlu suya batırılmış bir bezle silin. Ayrıca bıçaklardaki kesilen çimleri ve çer çöpü yumuşak bir fırça ile fırçalayarak temizleyin.

ÖNEMLİ NOT: Benzin, tiner, alkol ve benzeri maddeleri kesinlikle kullanmayın. Renk değişimi, deformasyon veya çatlaklar oluşabilir.

Depolama

1. Uzatma kablosunu ayırın.

► **Şek.29:** 1. Uzatma kablosu

2. Arka kapağı açın, ve ardından çim sepetini çıkarın.

► **Şek.30:** 1. Arka kapak 2. Çim sepeti

3. Tutamağı tutarken tırtıllı somunları gevşetin, ardından tutamağı bir miktar dışarı doğru açın ve ardından tutamağı katlayın.

► **Şek.31:** 1. Tırtıllı somun 2. Tutamak 3. İşaret 4. Ok

⚠DİKKAT: Tutamağı katlarken elinizi veya parmaklarınızı sıkıştırmamaya dikkat edin.

NOT: Okun en ön konumdaki işareti gösterdiğinden emin olun.

4. Tırtıllı somunları sıkın.

► **Şek.32:** 1. Tırtıllı somun

5. Kolları açın ve daha sonra kabloyu kolun üzerine yerleştirin.

► **Şek.33:** 1. Kol 2. Kablo

6. Kolları, şekilde gösterildiği gibi yarı konuma döndürün.

► **Şek.34:** 1. Kol

7. Tutamağı katlayın.

► **Şek.35:** 1. Tutamak

8. Makineyi şekilde gösterildiği gibi yerleştirin.

► **Şek.36**

⚠DİKKAT: Bu makineyi mutlaka iç mekanlarda saklayın ve düz bir yüzeye yerleştirin. Aksi takdirde makine düşerek yaralanmaya neden olabilir.

Makineyi şu şekilde de depolayabilirsiniz.

1. Uzatma kablosunu ayırın.
► **Şek.37:** 1. Uzatma kablosu
2. Arka kapağı açın, ve ardından çim sepetini çıkarın.
► **Şek.38:** 1. Arka kapak 2. Çim sepeti
3. Bıçme yüksekliğini ayarlama kolu ile ayarlayın.

ELM3320/ELM3720 için:

Bıçme yüksekliğini "1"e ayarlayın.

- **Şek.39:** 1. Ayarlama kolu

ELM4120 için:

Bıçme yüksekliğini "2"ye ayarlayın.

- **Şek.40:** 1. Ayarlama kolu

4. Tutamağı tutarken tırtıllı somunları gevşetin, ardından tutamağı bir miktar dışarı doğru açın ve ardından tutamağı katlayın.

- **Şek.41:** 1. Tırtıllı somun 2. Tutamak 3. İşaret 4. Ok

⚠DİKKAT: Tutamağı katlarken elinizi veya parmaklarınızı sıkıştırmamaya dikkat edin.

NOT: Okun en ön konumdaki işareti gösterdiğinden emin olun.

5. Tırtıllı somunları sıkın.
► **Şek.42:** 1. Tırtıllı somun
6. Makineyi şekilde gösterildiği gibi yerleştirin.
► **Şek.43**

⚠DİKKAT: Bu makineyi mutlaka iç mekânlarda saklayın ve düz bir yüzeye yerleştirin. Aksi takdirde makine düşerek yaralanmaya neden olabilir.

Makineyi ayrıca, tutamağı katlayarak da depolayabilirsiniz.

⚠DİKKAT: Kolları açmadan önce üst tutamağı sıkıca tutun. Aksi takdirde tutamak düşerek yaralanmaya neden olabilir.

1. Üst tutamağı tutarken kolları açın.
► **Şek.44:** 1. Kol
2. Üst tutamağı katlayın.
► **Şek.45:** 1. Üst tutamak

Çim bıçme makinesi bıçağının değiştirilmesi

⚠DİKKAT: Çim bıçme makinesi bıçağını değiştirirken standart lokma anahtarı dışında başka bir anahtar kullanmayın. Başka bir anahtar kullanılması aşırı sıkma veya gevşekliğe neden olarak yaralanmaya yol açabilir.

1. Uzatma kablosunu ayırın ve makineyi dikin. (Depolama talimatlarına bakın.)
2. Pimi deliğe sokun ve ardından tutamağı bir elinizle tutarak civatayı anahtarla saatin aksi yönünde gevşetin.
► **Şek.46:** 1. Bıçak 2. Anahtar 3. Pim

3. Çim bıçme makinesi bıçağını çıkarın.

ELM3320 için

Civatayı, pulu, çim bıçme makinesi bıçağını ve mesnedi sırayla çıkarın.

- **Şek.47:** 1. Mesnet 2. Çim bıçme makinesi bıçağı 3. Pul 4. Civata

ELM3720/ELM4120 için

Civatayı, pulu, çim bıçme makinesi bıçağını, mesnedi ve ara parçayı sırayla çıkarın.

- **Şek.48:** 1. Ara parça 2. Mesnet 3. Çim bıçme makinesi bıçağı 4. Pul 5. Civata

4. Yeni bir çim bıçme makinesi bıçağı takın, ardından pimi deliğe sokun ve daha sonra tutamağı bir elinizle tutarak civatayı anahtarla saat yönünde iyice sıkın.

- **Şek.49:** 1. Çim bıçme makinesi bıçağı 2. Anahtar 3. Pim

Uzatma kablosu

Uzatma kablosu olarak sadece kesiti en az 1,5 mm² olan, normal hizmet tipi ve dış mekân kullanımına uygun, PVC veya kauçuk kablo kullanın.

Kullanmadan önce ve kullanım sırasında besleme ve uzatma kablolarını hasara karşı kontrol edin. Kablo hasarlı veya aşınmışsa aleti kullanmayın. Uzatma kablosunu kesici elemanlardan uzak tutun. Kablo kullanım sırasında hasar görürse kabloyu derhal besleme kaynağından ayırın. Besleme kaynağından ayırmadan önce kabloya dokunmayın.

İSTEĞE BAĞLI AKSESUARLAR

⚠DİKKAT: Bu aksesuarlar ve ek parçalar bu el kitabında belirtilen Makita aletiniz ile kullanılmak için tavsiye edilmektedir. Herhangi başka bir aksesuar ya da ek parça kullanılması insanlar için bir yaralanma riski getirebilir. Aksesuarları ya da ek parçaları yalnızca belirtilmiş olan kullanım amaçlarına uygun olarak kullanın.

Bu aksesuarlarla ilgili daha fazla bilgiye ihtiyaç duyarsanız bulunduğunuz yerdeki yetkili Makita servisine başvurun.

- Çim bıçme makinesi bıçağı

NOT: Listedeki parçaların bazıları alet paketi içerisinde standart aksesuar olarak dahil edilmiş olabilir. Bunlar ülkeden ülkeye farklılık gösterebilir.

SPECIFIKATIONER

Modell:	ELM3320	ELM3720	ELM4120	
Hastighet utan belastning	3 400 min ⁻¹			
Klipphöjd	20 mm - 55 mm		20 mm - 75 mm	
Skärbredd	330 mm	370 mm	410 mm	
Artikelnummer för byte av gräsklipparkniv	YA00000731	YA00000732	YA00000733	
Dimensioner (L x B x H)	Vid drift (med gräsupsamlare)	L: 1 040 mm till 1 230 mm B: 380 mm H: 870 mm till 1 110 mm	L: 1 140 mm till 1 330 mm B: 415 mm H: 890 mm till 1 120 mm	L: 1 255 mm till 1 470 mm B: 460 mm H: 955 mm till 1 230 mm
	Vid förvaring (utan gräsupsamlare)	350 mm x 380 mm x 1 090 mm	335 mm x 415 mm x 1 090 mm	395 mm x 460 mm x 1 220 mm
Nettovikt	10,2 kg	11,6 kg	14,5 kg	
Säkerhetsklass	□/II			

- På grund av vårt pågående program för forskning och utveckling kan dessa specifikationer ändras utan föregående meddelande.
- Specifikationer kan variera mellan olika länder.
- Vikten kan variera beroende på tillbehören. Den lättaste och den tyngsta kombinationen enligt EPTA-procedur 01/2014 visas i tabellen.

Symboler

Följande visar symbolerna som används för utrustningen. Se till att du förstår innebörden innan du använder bormaskinen.



Var extra försiktig och uppmärksam. Läs igenom bruksanvisningen.



DUBBEL ISOLERING



Fara! Se upp för flygande föremål. Avståndet mellan maskinen och åskådare måste vara minst 15 m.



Vänta tills alla delar av maskinen har slutat rotera innan du vidrör dem.



Håll matningskabeln borta från knivbladen.



Var uppmärksam på vassa knivar. Knivarna fortsätter att rotera efter det att motorn stängts av. Ta bort kontakten från maskinen innan underhåll eller om sladden är skadad.



Maskinens ljud är lägre än 96 dB.



Håll händer och fötter borta. Använd inte gräsklipparen om inte alla skydd och tillbehör är på rätt plats.



Endast för EU-länder
Elektrisk utrustning får inte kastas i hushållsavfallet! Enligt EU-direktivet som avser äldre elektrisk och elektronisk utrustning och dess tillämpning enligt nationell lagstiftning ska uttjänt elektrisk utrustning sorteras separat och lämnas till miljövänlig återvinning.

Avsedd användning

Maskinen är avsedd för gräsklippning. Använd inte maskinen för några andra ändamål. Användning av maskinen för andra ändamål än vad den är avsedd för kan leda till att en farlig situation uppstår.

Strömförsörjning

Maskinen får endast anslutas till elnät med samma spänning som anges på typplåten och med enfasig växelström. De är dubbelisolerade och får därför också anslutas i ojordade vägguttag. Om matningskabeln är skadad måste den bytas ut av tillverkaren eller hans agent för att undvika säkerhetsrisker.

Avsedd för elnät med 220-250 V

Att starta och stänga av elektriska apparater medför spänningsvariationer. Om denna maskin används under ogynnsamma nätspänningsförhållanden kan funktioner hos annan utrustning påverkas negativt. I elnät med ett motstånd på högst 0,425 Ohm (för ELM3720) eller 0,427 Ohm (för ELM4120) är det rimligt att anta att negativa effekter inte förekommer. Nätuttaget för den här enheten måste vara försett med trög säkring eller skydds brytare.

Buller

Tillämplig standard : EN60335

Modell	Ljudtrycksnivå		Ljudeffektnivå	
	L _{PA} (dB (A))	Osäkerhets-K (dB (A))	L _{PA} (dB (A))	Osäkerhets-K (dB (A))
ELM3320	83	3	94	2
ELM3720	83	3	94	1
ELM4120	84	3	93	2

OBS: Det deklarerade bullervärdet har uppmätts i enlighet med standardtestmetoden och kan användas för jämförandet av en maskin med en annan.

OBS: Det deklarerade bulleremissionsvärdet kan också användas i en preliminär bedömning av exponering för vibration.

⚠ VARNING: Använd hörselskydd.

⚠ VARNING: Bulleremissionen under faktisk användning av maskinen kan skilja sig från det deklarerade värdet, beroende på hur maskinen används och särskilt vilken typ av arbetsstycke som behandlas.

⚠ VARNING: Var noga med att identifiera säkerhetsåtgärder för att skydda användaren, vilka är grundade på en uppskattning av graden av exponering för vibrationer under de faktiska användningsförhållandena, (ta, förutom avtryckartiden, med alla delar av användarcykeln i beräkningen, som till exempel tiden då maskinen är avstängd och när den går på tomgång).

Vibration

Det totala vibrationsvärdet (treaxlad vektorsumma) bestämt enligt EN60335:

Model ELM3320

Vibrationsemission (a_h) : 2,5 m/s² eller lägre
Mättolerans (K): 1,5 m/s²

Model ELM3720

Vibrationsemission (a_h) : 2,5 m/s² eller lägre
Mättolerans (K): 1,5 m/s²

Model ELM4120

Vibrationsemission (a_h) : 2,5 m/s² eller lägre
Mättolerans (K): 1,5 m/s²

OBS: Det deklarerade totala vibrationsvärdet har uppmätts i enlighet med standardtestmetoden och kan användas för jämförandet av en maskin med en annan.

OBS: Det deklarerade totala vibrationsvärdet kan också användas i en preliminär bedömning av exponering för vibration.

⚠ VARNING: Vibrationsemissionen under faktisk användning av maskinen kan skilja sig från det deklarerade värdet, beroende på hur maskinen används och särskilt vilken typ av arbetsstycke som behandlas.

⚠ VARNING: Var noga med att identifiera säkerhetsåtgärder för att skydda användaren, vilka är grundade på en uppskattning av graden av exponering för vibrationer under de faktiska användningsförhållandena, (ta, förutom avtryckartiden, med alla delar av användarcykeln i beräkningen, som till exempel tiden då maskinen är avstängd och när den går på tomgång).

EG-försäkran om överensstämmelse

Gäller endast inom EU

EG-försäkran om överensstämmelse inkluderas som bilaga A till denna bruksanvisning.

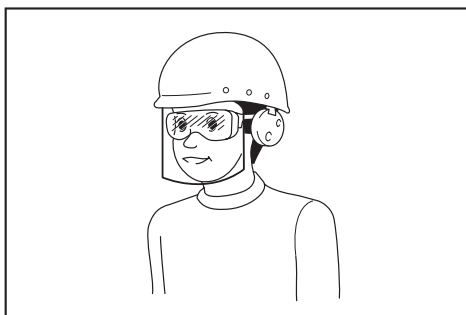
SÄKERHETSVARNINGAR

VIKTIGA SÄKERHETSANVISNINGAR

⚠ VARNING: Läs igenom alla säkerhetsvarningar och anvisningar. Underlåtenhet att följa varningar och instruktioner kan leda till elstöt, brand och/eller allvarliga personskador.

Spara alla varningar och instruktioner för framtida referens.

1. Barn ska övervakas så att de inte leker med gräsklipparen.
2. Låt aldrig gräsklipparen användas av barn eller av personer som inte känner till dessa anvisningar. Lokala bestämmelser kan ange en åldersgräns för användaren.
3. Använd aldrig gräsklipparen när personer (särskilt barn) eller djur finns i närheten.
4. Glöm inte att användaren är ansvarig för olyckor eller eventuell fara gentemot andra personer och deras egendom.
5. Bär alltid kraftiga skor och långbyxor när du använder gräsklipparen. Använd inte gräsklipparen barfota eller med öppna skor. Undvik att bära kläder eller smycken som sitter löst eller som har hängande snoddar eller band. De kan fångas upp av rörliga delar.
6. Bär alltid skyddsglasögon för att skydda dina ögon från skada när du använder e-verktyg. Skyddsglasögonen måste uppfylla ANSI Z87.1 i USA, EN 166 i Europa, eller AS/NZS 1336 i Australien/Nya Zeeland. I Australien/ Nya Zeeland måste man enligt lag även bära ansiktsskydd för att skydda ansiktet.



Det är arbetsgivarens ansvar att se till att användare och övriga personer i det omedelbara arbetsområdet använder lämplig skyddsutrustning.

7. Kontrollera matningen och strömkabel för tecken på skada eller åldrande. Om kabeln skadas under användning, koppla bort kabeln från matningen omedelbart. Vidrör inte kabeln innan du kopplar ifrån matningen. Använd inte gräsklipparen om kabeln är skadad eller sliten.
8. Använd endast gräsklipparen i dagsljus eller i god belysning.
9. Undvik att använda gräsklipparen i vått gräs.
10. Använd aldrig gräsklipparen i regn.
11. Håll alltid stadigt i handtaget.
12. Se alltid till att ha balans på sluttningar.
13. Gå, spring aldrig.
14. Greppa inte de oskyddade knivbladen eller kniveggarna när du tar upp eller håller i gräsklipparen.
15. Fysiskt tillstånd – Använd inte gräsklipparen under påverkan av droger, alkohol eller mediciner.
16. Håll händer och fötter borta från rörliga knivar. Försiktigt – Knivarna stannar inte omedelbart när gräsklipparen stängs av.
17. Använd endast tillverkarens originalknivar som specificerats i denna bruksanvisning.
18. Kontrollera före användning att knivarna inte är spruckna eller skadade. Byt omedelbart ut en skadad eller sprucken kniv.
19. Kontrollera att det inte finns några personer i området före gräsklippningen. Stäng av gräsklipparen om någon närmar sig.
20. Ta bort främmande föremål såsom stenar, kablar, flaskor, ben och långa pinnar från arbetsområdet innan gräsklippningen för att undvika personskador eller skada på gräsklipparen.
21. Stanna maskinen omedelbart om du lägger märke till något onormalt. Stäng av gräsklippare och dra ut nätsladden ur eluttaget. Kontrollera sedan gräsklipparen.
22. Försök aldrig att justera hjulhöjden när gräsklipparen är igång.
23. Släpp säkerhetsgreppet och vänta tills kniven har stannat innan du korsar en uppfart, gångväg, väg eller annat grustäckat område. Ta även ut nätsladden ur eluttaget om du lämnar gräsklipparen, sträcker dig för att plocka upp eller ta bort något som ligger i vägen, eller om du på något annat sätt distraheras från arbetet.

24. Föremål som träffas av gräsklipparkniven kan orsaka allvarliga personskador. Gräsmattan ska alltid undersökas väl och röjas från föremål före varje klippning.
25. Följ dessa steg om gräsklipparen slår emot ett främmande föremål:
 - Stanna gräsklipparen, släpp säkerhetsgreppet och vänta tills kniven stannat helt.
 - Koppla ur nätkabeln från eluttaget.
 - Kontrollera gräsklipparen grundligt så att inte några skador har uppstått.
 - Byt ut kniven om den är skadad på något sätt. Reparera eventuella skador innan du startar om och återupptar användningen av gräsklipparen.
26. Kontrollera gräsupsamlaren regelbundet efter slitage eller försämring. Se alltid till att gräsupsamlaren är tom när maskinen förvaras. Byt ut gräsupsamlaren om den är sliten mot en ny från fabriken för säker användning.
27. Var mycket försiktig när du vänder gräsklipparen eller drar den mot dig.
28. Stoppa knivarna om gräsklipparen måste lutas för att transporteras över gräsfria ytor och när maskinen transporteras till och från området som ska klippas.
29. Använd aldrig gräsklipparen med skadade skydd eller utan säkerhetsutrustning, t. ex. stenskydd och/eller gräsupsamlare, på plats.
30. Starta gräsklipparen omsorgsfullt enligt anvisningarna och med fötterna på säkert avstånd från knivarna.
31. Luta inte gräsklipparen när du startar motorn, såvida den inte måste lutas för att startas. I så fall ska den inte lutas mer än vad som är absolut nödvändigt och lyft endast den delen som är längst bort från användaren. Se alltid till att båda händerna är i arbetsläge innan du ställer ner apparaten på marken.
32. Starta inte gräsklipparen när du står framför utkastöppningen.
33. Placera inte händer och fötter i närheten av eller under roterande delar. Stå alltid långt ifrån utkastöppningen.
34. Transportera inte gräsklipparen medan den är igång.
35. Stanna gräsklipparen och ta ut kontakten från uttaget. Se till att alla rörliga delar har stannat helt
 - när du lämnar gräsklipparen,
 - innan du tar bort något som fastnat eller rensar utkastningsrännan,
 - före kontroll, rengöring eller arbete på gräsklipparen,
 - om du stött emot ett främmande föremål med maskinen. Inspektera gräsklipparen efter skador och utför reparationer innan maskinen startas om och används på nytt.
36. Om gräsklipparen börjar vibrera på ett onormalt sätt (kontrollera omedelbart)
 - kontrollera om skada har uppstått,
 - byt ut eller reparera skadade delar,
 - kontrollera om det finns lösa delar och skruva åt dem.
37. Var försiktig vid justering av gräsklipparen för att undvika att fastna med fingrarna mellan knivar i rörelse och fasta maskindelar.

38. Klipp längs med slutningar, aldrig uppåt och nedåt. Var särskilt försiktig vid byte av riktning i sluttande terräng. Klipp inte mycket branta slutningar.
39. Spola inte av maskinen med en slang, undvik att få in vatten i motorn och elektriska kopplingar.
40. Kontrollera knivens monteringsbult regelbundet så att den är ordentligt åtdragen.
41. Se till att alla muttrar, bultar och skruvar är åtdragna för att alltid bibehålla utrustningen i säkert arbetsskick.
42. Var försiktig, för om du roterar ett blad kan även andra blad rotera.
43. Låt alltid gräsklipparen svalna innan du ställer in den för förvaring.
44. Vid underhåll av knivarna bör du vara uppmärksam på att de fortfarande kan snurra även om strömkällan är avstängd.
45. Byt ut slitna eller skadade delar för säker användning. Använd endast originaldelar och tillbehör.
46. Lämna maskinen till en auktoriserad verkstad för service och underhåll med originalreservdelar. Detta garanterar fortsatt säker användning av maskinen.
47. Följ instruktionerna för smörjning och byte av tillbehör.
48. Håll handtagen torra, rena och fria från olja och smuts.
49. Kontrollera att strömspänningen och -frekvens motsvarar de specifikationer som anges på identifieringsplåten. Vi rekommenderar användning av en jordfelsbrytare med en utlösningström på 30 mA eller lägre, eller ett läckströmsskydd till jord.
50. Denna maskin kan användas av barn från 8 års ålder och äldre samt personer med nedsatt fysisk, sensorisk eller mental kapacitet eller brist på erfarenhet och kunskap förutsatt att de har fått handledning eller instruktioner om hur maskinen används på rätt sätt och förstår riskerna som det medför. Rengöring och användarunderhåll ska inte utföras av barn utan tillsyn.

Kvarstående risker

Även om du använder denna produkt enligt alla säkerhetskrav kvarstår ändå eventuella risker för person- och materialskada. Följande faror kan uppstå i anslutning med struktur och design av denna produkt.

1. Hälsoproblem från vibrationer om produkten används under långa tidsperioder eller om den inte hanteras på rätt sätt.
2. Person- och materialskada p.g.a. trasiga applikationsverktyg eller plötslig krock med dolda föremål vid användning.
3. Fara för person- och materialskada från flygande föremål.

⚠ VARNING: Denna produkt producerar ett elektromagnetiskt fält vid användning. Detta fält kan under vissa omständigheter störa aktiva eller passiva medicinska implantat. För att reducera risken för allvarlig eller dödlig skada rekommenderar vi att personer med medicinska implantat rådfrågar sin läkare och tillverkaren av det medicinska implantatet innan de använder denna produkt.

SPARA DESSA ANVISNINGAR.

⚠ VARNING: GLÖM INTE att också fortsättningsvis strikt följa säkerhetsanvisningarna för maskinen även efter att du blivit van att använda den.

Vid FELAKTIG HANTERING av maskinen eller om inte säkerhetsanvisningarna i denna bruksanvisning följs kan följden bli allvarliga personskador.

MONTERING

⚠ FÖRSIKTIGT: Se alltid till att maskinen är avstängd och nätsladden urdragen innan maskinen repareras.

Montering av handtaget

1. Avlasta det övre handtaget från huvudenheten.
▶ Fig.1: 1. Övre handtaget
2. Lossa de lätttrade muttrarna.
▶ Fig.2: 1. Lättrad mutter
3. Böj ut handtagen lite och höj upp det.
▶ Fig.3: 1. Handtag
4. Justera handtagets höjd genom att rikta in pilen med märket.
▶ Fig.4: 1. Lättrad mutter 2. Märke 3. Pil
5. Dra fast de lätttrade muttrarna.
▶ Fig.5: 1. Lättrad mutter
6. Fäst det övre handtaget genom att sätta in spakarna från utsidan av handtaget, och dra åt muttrarna med skruvnyckeln för att säkra handtaget.
▶ Fig.6: 1. Spak 2. Mutter
7. Säkra kablarna med klämmor enligt bilden.
▶ Fig.7: 1. Klämma

Montera gräsuppsamlare

1. Fäst gräsuppsamlarens rör till ramen.
▶ Fig.8: 1. Rör 2. Ram
2. Öppna den bakre luckan.
▶ Fig.9: 1. Bakre hölje
3. Haka fast gräsuppsamlaren på maskinens baksida.
▶ Fig.10

Ta bort gräsuppsamlaren genom att utföra monteringsproceduren i omvänd ordning.

Ansluta förlängningsladden

⚠ VARNING: När du ansluter förlängningskabeln till maskinens uttag, se till att säkerhetsgreppet är lossat och att kabeln inte ansluten till elnätet.

⚠ VARNING: Anslut eller lossa inte förlängningskabeln med våta händer.

OBSERVERA: När du ansluter förlängningskabeln till maskinens nätkontakt, se till att föra in den helt i uttaget.

Vid anslutning av förlängningskabeln, häng den över kroken på handtaget enligt bilden för att förhindra att den lossar oavsiktligt eller överdriven påfrestning.

► Fig.11: 1. Krok 2. Förlängningskabel

FUNKTIONSBESKRIVNING

Justering av klipphöjden

⚠ VARNING: Innan du justerar klipphöjden måste du koppla från förlängningskabeln från strömförsörjningen och kontrollera att bladen har stannat fullständigt.

⚠ VARNING: Placera aldrig handen eller foten under gräsklipparen när du justerar klipphöjden.

Du kan justera klipphöjden inom intervallet 20 mm till 55 mm (för ELM3320/ELM3720) eller 20 mm till 75 mm (för ELM4120). Klipphöjden kan justeras i 3 steg (för ELM3320/ELM3720) eller 7 steg (för ELM4120).

För ELM3320/ELM3720

► Fig.12: 1. Justerspåk

För ELM4120

► Fig.13: 1. Justerspåk

Håll i handtaget med ena handen och flytta sedan justerspåken med den andra handen.

► Fig.14: 1. Justerspåk

OBS: Gör en testklippning i ett mindre synligt område för att få önskad höjd.

Avtryckarens funktion

⚠ VARNING: Innan du ansluter maskinen till elnätet ska du kontrollera att säkerhetsgreppet fungerar och återgår till läget "OFF" när du släpper det.

⚠ VARNING: Denna maskin är utrustad med en startspärr som förhindrar oavsiktlig start. Använd aldrig maskinen om den startar när du trycker in säkerhetsgreppet utan att ha tryckt in startspärren. Kontakta ditt lokala Makita-servicecenter för reparation.

⚠ VARNING: Deaktivera aldrig spärren och tejspa aldrig ner startspärren.

OBSERVERA: Tryck inte in säkerhetsgreppet med våld utan att först ha tryckt in startspärren. Greppet kan gå sönder.

För att starta maskinen trycker du först in startspärren och trycker därefter på säkerhetsgreppet. För att stoppa maskinen släpper du säkerhetsgreppet.

► Fig.15: 1. Säkerhetsgrepp 2. Startspärr

Nivåindikator i gräsuppsamlaren

Gräsuppsamlarens nivåindikator öppnar under gräs-klippning om gräsuppsamlaren inte är full. Om gräsuppsamlaren är full stängs indikatorn under gräs-klippningen. Om den är full, töm gräsuppsamlaren innan du börjar klippa.

► Fig.16: 1. Nivåindikator

► Fig.17: 1. Nivåindikator

Justera handtagens höjd

Handtagens höjd kan justeras i tre steg. Lossa de lätttrade muttrarna när du håller i handtaget och justera sedan handtaget höjd genom att rikta in pilen med ett av märkena, och dra sedan åt de lätttrade muttrarna.

► Fig.18: 1. Lätttrad mutter 2. Märke 3. Pil

Motorskydd (överströmrelä)

⚠ VARNING: Om maskinen plötsligt stannar vid användning, släpp säkerhetsgreppet och koppla från förlängningskabeln. I annat fall kan maskinen plötsligt starta och orsaka skador.

⚠ FÖRSIKTIGT: Innan du tar bort ett objekt som har fastnat i bladen, se till att du bär handskar och dra ut förlängningskabeln från eluttaget.

Om det avklippa gräset eller smuts fastnar inne i huvudenheten stannar maskinen automatiskt för att skydda motorn (överströmrelä). Om så är fallet, koppla från förlängningskabeln från eluttaget, ta bort det material som fastnat och låt maskinen svalna ett par minuter innan du startar maskinen.

OBS: Överströmreläet kan aktiveras när blött eller långt gräs fastnar inne i maskinen.

ANVÄNDNING

Gräsklippning

⚠ VARNING: Före gräsklippningen ska alla pin-nar och stenar i klippområdet tas bort. Ta också bort ogräs i förväg.

► Fig.19

⚠ VARNING: Bär alltid korgglasögon eller skyddsglasögon med sidoskydd när du använder gräsklipparen.

⚠ FÖRSIKTIGT: Om det klippta gräset eller främmande föremål blockerar gräsklipparens insida, se till att stänga av maskinen och koppla sedan från förlängningskabeln från eluttaget. Se till att du bär handskar innan du tar bort gräs eller främmande föremål.

⚠ FÖRSIKTIGT: Se till att montera gräsupsamlaren när du använder maskinen.

OBSERVERA: Använd endast denna maskin för att klippa gräsmattor. Klipp inte ogräs med denna maskin.

Håll stadigt i handtaget med båda händerna vid gräsklippningen.
► Fig.20

Riktlinjerna för gräsklippning är ungefär en meter per fyra sekunder.
► Fig.21

Börja klippa i närheten av eluttaget för att säkerställa att förlängningskabeln inte blir ett hinder.
► Fig.22: 1. Eluttag 2. Förlängningskabel

Kör inte över förlängningskabeln eller låt den fastna under maskinen.
► Fig.23
► Fig.24

Linjerna på maskinens båda sidor är riktlinjer för klippbredden. Använd linjerna som riktlinjer, klipp i rader. Överlappa med en halv till en tredjedel på tidigare rad för att klippa gräsmattan jämnt.
► Fig.25: 1. Klippbredd 2. Överlappande område 3. Linje

Ändra klippriktning varje gång för att förhindra mönster i gräsmattan i bara en riktning.
► Fig.26

Kontrollera då och då att gräsupsamlaren inte är full. Töm uppsamlaren innan den är full. Se till att stoppa maskinen innan varje periodisk kontroll.

OBS: Användning av gräsklipparen med en full gräsupsamlare förhindrar smidig knivrotation och lägger en extra belastning på motorn, vilket kan orsaka motorstopp.

Klippning av högt gräs

Försök inte att klippa av högt gräs på en och samma gång. Klipp istället gräset i omgångar. Klipp med en eller två dagars mellanrum tills gräsmattan är jämnt klippt.
► Fig.27

OBS: Att klippa högt gräs kort på en och samma gång kan leda till att gräset dör. Det klippta gräset kan också täppa igen undersidan av gräsklipparen.

Kantklippning

När du klipper kanten, se till att föra maskinen längs kanten.
► Fig.28

UNDERHÅLL

⚠ VARNING: Innan du utför underhåll måste du koppla från förlängningskabeln från strömförsörjningen och bekräfta att bladen har stannat fullständigt.

⚠ FÖRSIKTIGT: Använd alltid handskar när du utför underhåll.

För att upprätthålla produktens SÄKERHET och TILLFÖRLITLIGHET bör allt underhålls- och justeringsarbete utföras av ett auktoriserat Makita servicecenter och med reservdelar från Makita.

Underhåll efter gräsklippning

Torka av maskinen med en torr trasa eller en trasa doppad i tvålatten efter klippning. Använd även en mjuk borste för att borsta bort gräs från bladen.

OBSERVERA: Använd inte bensin, förtunningsmedel, alkohol eller liknande. Missfärgning, deformation eller sprickor kan uppstå.

Förvaring

1. Koppla ifrån förlängningskabeln.
► Fig.29: 1. Förlängningskabel
2. Öppna den bakre luckan och ta sedan bort gräsupsamlaren.
► Fig.30: 1. Bakre hölje 2. Gräsupsamlare
3. Lossa de lätttrade muttrarna genom att hålla i handtaget och sedan dra isär handtaget lite utåt och fäll ner handtaget.
► Fig.31: 1. Lättrad mutter 2. Handtag 3. Märke 4. Pil

⚠ FÖRSIKTIGT: Var försiktig när du fäller ner handtaget så att du inte klämmer dina fingrar.

OBS: Se till att pilen indikerar märket i sitt mest framskjutna läge.

4. Dra fast de lätttrade muttrarna.
► Fig.32: 1. Lättrad mutter
5. Öppna spakarna och placera sedan kabeln över spaken.
► Fig.33: 1. Spak 2. Kabel
6. För tillbaka spakarna till halvvägs position enligt bilden.
► Fig.34: 1. Spak
7. Fäll ner handtaget.
► Fig.35: 1. Handtag
8. Placera maskinen enligt bilden.
► Fig.36

⚠ FÖRSIKTIGT: Se till att förvara maskinen inomhus och placera den på en plan yta. I annat fall kan maskinen falla och orsaka skador.

Du kan även förvara maskinen enligt följande.

1. Koppla ifrån förlängningskabeln.
► Fig.37: 1. Förlängningskabel
2. Öppna den bakre luckan och ta sedan bort gräsupsamlaren.
► Fig.38: 1. Bakre hölje 2. Gräsupsamlare

3. Ställ in rörelsehöjden med justeringsspaken.

För ELM3320/ELM3720:

Ställ in rörelsehöjden till "1".

- **Fig.39:** 1. Justerspåk

För ELM4120:

Ställ in rörelsehöjden till "2".

- **Fig.40:** 1. Justerspåk

4. Lossa de lätttrade muttrarna genom att hålla i handtaget och sedan dra isär handtaget lite utåt och fäll ner handtaget.

- **Fig.41:** 1. Lättrad mutter 2. Handtag 3. Märke 4. Pål

⚠ FÖRSIKTIGT: Var försiktig när du fäller ner handtaget så att du inte klämmer dina fingrar.

OBS: Se till att pilen indikerar märket i sitt mest framskjutna läge.

5. Dra fast de lätttrade muttrarna.

- **Fig.42:** 1. Lättrad mutter

6. Placera maskinen enligt bilden.

- **Fig.43**

⚠ FÖRSIKTIGT: Se till att förvara maskinen inomhus och placera den på en plan yta. I annat fall kan maskinen falla och orsaka skador.

Du kan även förvara maskinen genom att fälla handtaget.

⚠ FÖRSIKTIGT: Innan du öppnar spakarna, håll stadigt i det övre handtaget. I annat fall kan handtaget falla och orsaka skador.

1. Öppna spakarna medan du håller det övre handtaget.

- **Fig.44:** 1. Spak

2. Fäll ner det övre handtaget.

- **Fig.45:** 1. Övre handtaget

Byta ut gräsklipparkniven

⚠ FÖRSIKTIGT: Använd inte annan skruvnyckel än standard insexnyckel vid byte av gräsklipparkniv. Att använda en annan skruvnyckel kan leda till en överådragnings eller glapp, vilket kan leda till skada.

1. Koppla ur förlängningskabeln och res upp maskinen. (Se instruktionerna för förvaring.)

2. För in stiftet i hålet, håll handtaget med en hand och lossa sedan skruven med nyckeln moturs.

- **Fig.46:** 1. Kniv 2. Nyckel 3. Stift

3. Ta bort gräsklipparkniven.

För ELM3320

Ta bort bulten, brickan, gräsklipparkniven och fästet i ordning.

- **Fig.47:** 1. Fäste 2. Gräsklipparkniv 3. Bricka 4. Bult

För ELM3720/ELM4120

Ta bort bulten, brickan, gräsklipparkniven, fästet och distansen i ordning.

- **Fig.48:** 1. Distanskloss 2. Fäste 3. Gräsklipparkniv 4. Bricka 5. Bult

4. Fäst den nya gräsklipparkniven, sätt in stiftet i hålet, håll handtaget med en hand och dra sedan åt skruven stadigt med skruvnyckeln medurs.

- **Fig.49:** 1. Gräsklipparkniv 2. Nyckel 3. Stift

Förlängningskabel

Du bör endast använda förlängningskablar för utomhusbruk, PVC- eller gummikabel och standardanvändning, med en tvärsnittsarea inte mindre än 1,5 mm².

Innan och under användning, kontrollera matningen och förlängningskablar avseende skada. Använd inte apparaten om kabeln är skadad eller sliten. Håll förlängningskabeln borta från klippelement. Om kabeln skadas under användning, koppla bort kabeln från matningen omedelbart. Vidrör inte kabeln innan du kopplar ifrån matningen.

VALFRIA TILLBEHÖR

⚠ FÖRSIKTIGT: Följande tillbehör eller tillsatser rekommenderas för användning med den Makita-maskin som denna bruksanvisning avser.

Om andra tillbehör eller tillsatser används kan det uppstå risk för personskador. Använd endast tillbehören eller tillsatserna för de syften de är avsedda för.

Kontakta ditt lokala Makita servicecenter om du behöver ytterligare information om dessa tillbehör.

- Gräsklipparkniv

OBS: Några av tillbehören i listan kan vara inkluderade i maskinpaketet som standardtillbehör. De kan variera mellan olika länder.

TEKNISKE DATA

Modell:		ELM3320	ELM3720	ELM4120
Hastighet uten belastning		3 400 min ⁻¹		
Klippehøyde		20 mm - 55 mm		20 mm - 75 mm
Skjærebredde		330 mm	370 mm	410 mm
Delenummer for reserve gressklipperkniv		YA00000731	YA00000732	YA00000733
Mål (L x B x H)	Under bruk (med gresskurv)	L: 1 040 mm til 1 230 mm B: 380 mm H: 870 mm til 1 110 mm	L: 1 140 mm til 1 330 mm B: 415 mm H: 890 mm til 1 120 mm	L: 1 255 mm til 1 470 mm B: 460 mm H: 955 mm til 1 230 mm
	Ved lagring (uten gresskurv)	350 mm x 380 mm x 1 090 mm	335 mm x 415 mm x 1 090 mm	395 mm x 460 mm x 1 220 mm
Nettovekt		10,2 kg	11,6 kg	14,5 kg
Sikkerhetsklasse		□/II		

- På grunn av vårt kontinuerlige forsknings- og utviklingsprogram kan spesifikasjonene som oppgis i dette dokumentet endres uten varsel.
- Spesifikasjonene kan variere fra land til land.
- Vekten kan variere avhengig av tilbehør/tilbehørene. Den letteste og tyngste kombinasjonen, i henhold til EPTA-prosedyre 01/2014, vises i tabellen.

Symboler

Nedenfor ser du symbolene som brukes for dette utstyret. Forviss deg om at du forstår hva de betyr, før du begynner å bruke maskinen.



Vær spesielt forsiktig og oppmerksom. Les bruksanvisningen.



DOBBEL ISOLERING



Vær oppmerksom på at objekter kan bli kastet ut. Avstanden mellom maskinen og andre personer enn operatøren må være minst 15 m.



Vent til alle maskinkomponenter er stoppet helt før du rører dem.



Hold en fleksibel kabelen unna klippeknivene.



Vær forsiktig med skarpe kniver. Knivene fortsetter å rotere etter at motoren er slått av. Fjern pluggen fra maskinen før vedlikehold eller hvis kabelen er skadd.



Støyen fra maskinen er ikke på mer enn 96 dB.



Hold hender og føtter unna. Ikke bruk gressklipperen uten at vern og utstyr er på riktig plass.



Kun for land i EU
Ikke kast elektrisk utstyr sammen med husholdningsavfall! I henhold til EU-direktivet om kasserte elektriske og elektroniske produkter og direktivets iverksetting i nasjonal rett, må elektriske produkter som ikke lenger skal brukes, samles separat og returneres til et miljøvennlig gjenvinningsanlegg.

Riktig bruk

Denne maskinen er kun laget for gressklipping. Ikke bruk maskinen til andre formål. Hvis maskinen brukes til andre operasjoner enn den er konstruert for, kan det resultere i farlige situasjoner.

Strømforsyning

Maskinen må bare kobles til en strømkilde med samme spenning som vist på typeskiltet, og kan bare brukes med enfase-vekselstrømforsyning. Den er dobbelt verneisoleret og kan derfor også brukes fra kontakter uten jording.

Hvis kabelen er ødelagt, må den skiftes ut av produsenten eller dennes servicerepresentant for å unngå fare.

For offentlige lavspenningsnett på mellom 220 V og 250 V

Inn- og utkobling av elektriske apparater forårsaker spenningsvariasjoner. Bruken av dette apparatet under uheldige forhold i strømmettet kan ha negative virkninger på bruken av annet utstyr. Når strømmetimpedansen er lik eller lavere enn 0,425 ohm (for ELM3720) eller 0,427 ohm (for ELM4120), er det grunn til å anta at ingen negative virkninger vil oppstå. Nettuttaket som brukes til dette apparatet må være beskyttet av en treg sikring eller et tregt overlastvern.

Støy

Gjeldende standard : EN60335

Modell	Lydtrykknivå		Lydeffektnivå	
	L _{PA} (dB (A))	Usikkerhet K (dB (A))	L _{PA} (dB (A))	Usikkerhet K (dB (A))
ELM3320	83	3	94	2
ELM3720	83	3	94	1
ELM4120	84	3	93	2

MERK: Den/de oppgitte verdien(e) for genererte vibrasjoner har blitt målt i henhold til standard testmetoder, og kan bli brukt til å sammenligne ett verktøy med et annet.

MERK: Den/de angitte verdien(e) for de genererte vibrasjonene kan også brukes til en foreløpig vurdering av eksponeringen.

⚠ ADVARSEL: Bruk hørselsvern.

⚠ ADVARSEL: De genererte vibrasjonene ved faktisk bruk av elektroverktøyet kan avvike fra den/de angitte vibrasjonsverdien(e), avhengig av hvordan verktøyet brukes.

⚠ ADVARSEL: Sørg for å identifisere vernetiltak for å beskytte operatøren, som er basert på et estimat av eksponeringen under de faktiske bruksforholdene (idet det tas hensyn til alle deler av driftssyklusen, dvs. hvor lenge verktøyet er slått av, hvor lenge det går på tomgang og hvor lenge startbryteren faktisk holdes trykket).

Vibrasjoner

Den totale vibrasjonsverdien (triaksial vektorsum) bestemt i henhold EN60335:

Modell ELM3320

Genererte vibrasjoner (a_h) : 2,5 m/s² eller mindre
Usikkerhet (K): 1,5 m/s²

Modell ELM3720

Genererte vibrasjoner (a_h) : 2,5 m/s² eller mindre
Usikkerhet (K): 1,5 m/s²

Modell ELM4120

Genererte vibrasjoner (a_h) : 2,5 m/s² eller mindre
Usikkerhet (K): 1,5 m/s²

MERK: Den/de oppgitte verdien(e) for totalt genererte vibrasjoner har blitt målt i henhold til standard testmetoder, og kan bli brukt til å sammenligne ett verktøy med et annet.

MERK: Den/de angitte verdien(e) for totalt genererte vibrasjoner kan også brukes til en foreløpig vurdering av eksponeringen.

⚠ ADVARSEL: De genererte vibrasjonene ved faktisk bruk av elektroverktøyet kan avvike fra den/de angitte vibrasjonsverdien(e), avhengig av hvordan verktøyet brukes og spesielt i forhold til arbeidsstykket som blir behandlet.

⚠ ADVARSEL: Sørg for å identifisere vernetiltak for å beskytte operatøren, som er basert på et estimat av eksponeringen under de faktiske bruksforholdene (idet det tas hensyn til alle deler av driftssyklusen, dvs. hvor lenge verktøyet er slått av, hvor lenge det går på tomgang og hvor lenge startbryteren faktisk holdes trykket).

EFs samsvarserklæring

Gjelder kun for land i Europa

EFs samsvarserklæring er lagt til som vedlegg A i denne bruksanvisningen.

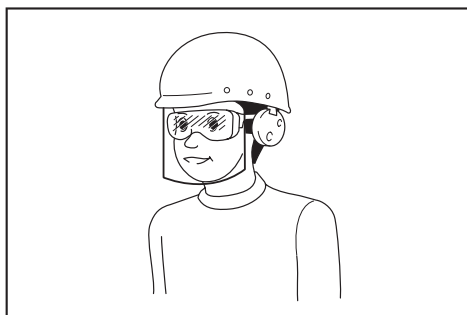
SIKKERHETSADVARSEL

VIKTIGE SIKKERHETSINSTRUKSJONER

⚠ ADVARSEL: Les alle sikkerhetsadvarslene og alle instruksjonene. Hvis du ikke følger alle advarslene og instruksjonene som er oppført nedenfor, kan det føre til elektriske støt, brann og/eller alvorlige helseskader.

Oppbevar alle advarsler og instruksjoner for senere bruk.

1. Barn skal holdes under tilsyn for å sikre at de ikke leker med gressklipperen.
2. La aldri barn eller personer som ikke er kjent med denne bruksanvisningen bruke gressklipperen. Lokale bestemmelser kan omfatte aldersgrenser for bruk av utstyret.
3. Aldri bruk gressklipperen mens uvedkommende, særlig barn og kjæledyr er tilstede.
4. Vær oppmerksom på at operatøren eller brukeren er ansvarlig for ulykker eller skader som berører andre personer eller deres eiendom.
5. Bruk alltid solid fotte og lange benklær når gressklipperen brukes. Ikke bruk gressklipperen barbeint eller med åpne sandaler. Unngå klær og smykker som er løse eller har hengende snorer eller bånd. De kan sette seg fast i bevegelige deler.
6. Bruk alltid vernebriller for å beskytte øynene mot skade når du bruker elektroverktøy. Brillene må oppfylle kravene i ANSI Z87.1 i USA, EN 166 i Europa eller AS/NZS 1336 i Australia/New Zealand. I Australia/New Zealand er det dessuten lovpålagt å bruke et ansiktsvern for å beskytte ansiktet.



Det er arbeidsgivers ansvar å påse at verktøype-
ratørene og alle andre personer i arbeidsområdet
umiddelbare nærhet bruker riktig verneutstyr.

7. Før bruk må du kontrollere strømforsyningen og kabelen for tegn på skader eller aldring. Hvis kabelen skades ved bruk, må du koble kabelen fra strømforsyningen med én gang. Ikke rør kabelen før strømforsyningen kobles fra. Ikke bruk gressklipperen hvis kabelen er skadd eller slitt.
8. Gressklipperen skal kun brukes i dagslys eller ved god kunstig belysning.
9. Unngå å bruke gressklipperen på vått gress.
10. Aldri bruk gressklipperen i regn.
11. Hold alltid godt fast i håndtaket.
12. Pass på at du har godt fotfeste i skråninger.
13. Gå, ikke løp.
14. Ikke grip tak i skjærekniver eller skjærekanter når du plukker opp eller holder i gressklipperen.
15. Fysisk form - Bruk ikke gressklipperen under påvirkning av narkotika, alkohol eller noen medikamenter.
16. Hold hender og føtter i god avstand fra de roterende knivene. Forsiktig - knivene fortsetter å rotere etter at gressklipperen er slått av.
17. Bruk kun produsentens originale kniver som spesifisert i denne bruksanvisningen.
18. Før du begynner å bruke verktøyet, må du kontrollere nøye at knivene ikke har sprekker eller andre skader. Skift ut sprukne eller ødelagte kniver omgående.
19. Sørg for at ingen andre personer befinner seg på området før du begynner å klippe. Stans gressklipperen hvis noen kommer inn på området.
20. Før bruk av gressklipperen, fjern fremmedlegemer fra arbeidsområdet, som for eksempel steiner, ledninger, flasker, bein og store pinner, for å hindre helseskade eller skade på gressklipperen.
21. Stans arbeidet umiddelbart dersom du noterer noe uvanlig. Slå av gressklipperen og trekk pluggen ut av strømforsyningen. Undersøk så gressklipperen.
22. Forsøk aldri å justere hjulhøyden mens gressklipperen er i gang.
23. Slipp startbryteren og vent til knivene slutter å rotere før du krysser oppkjørsler, stier, veier og alle grusbelagte områder. I tillegg må du ta ut pluggen fra strømforsyningen hvis du forlater gressklipperen, skal plukke opp noe eller fjerne noe som ligger i veien eller som av en eller annen grunn avleder deg fra det du holder på med.
24. Gjenstander som slår mot gressklipperkniven, kan forårsake alvorlig helseskade. Plenen bør alltid undersøkes nøye og alle objekter fjernes før hver klipping.
25. Hvis gressklipperen slår mot et fremmedlegeme, følger du disse trinnene:
 - Stans gressklipperen, slipp startbryteren og vent til knivene stanser helt.
 - Plugg kabelen fra strømforsyningen.
 - Undersøk gressklipperen nøye for skader.
 - Erstatt kniven om den på noen måte skulle være skadd. Reparer alle skader før ny oppstart og fortsatt bruk av gressklipperen.
26. Sjekk gresskurven ofte for slitasje eller skader. For oppbevaring må du alltid sørge for at gresskurven er tom. Av hensyn til sikkerhet må en slitt gresskurv alltid skiftes ut med en ny fabrikkprodusert gresskurv.
27. Vær svært forsiktig når du rygger eller trekker gressklipperen mot deg.
28. Stans knivene hvis gressklipperen må skråstilles for transportering, ved kryssing av overflater som ikke er gress og under transportering av gressklipperen til og fra området der den skal brukes.
29. Aldri bruk en gressklipper som har defekte vern eller beskyttelse, eller som ikke har sikkerhetsutstyr som for eksempel deflektorer og/eller gresskurv på plass.
30. Start gressklipperen forsiktig i henhold til instruksjonene og hold føttene på god avstand fra knivene.
31. Ikke skråstill gressklipperen når motoren slås på, unntatt når gressklipperen må skråstilles for oppstart. I så fall må den ikke skråstilles mer enn absolutt nødvendig, og det er bare delen som er vendt bort fra brukeren som skal løftes. Forsikre deg alltid om at begge hendene er i arbeidstilling før du setter innretningen tilbake på bakken.
32. Ikke start gressklipperen mens du står foran avløpsåpningen.
33. Ikke plasser hender og føtter nær eller under roterende deler. Hold avstand fra avløpsåpningen til enhver tid.
34. Ikke transporter gressklipperen mens den er slått på.
35. Stopp gressklipperen og fjern pluggen fra kontakten. Påse at alle bevegelige deler har stanset helt
 - alltid når du forlater gressklipperen,
 - før du fjerner ting som har satt seg fast eller renser utkastet,
 - før kontroll, rengjøring eller arbeid på gressklipperen,
 - etter at du har slått borti et fremmedlegeme.
 Inspiser gressklipperen for skade og reparer før ny oppstart og bruk av gressklipperen.
36. Hvis gressklipperen begynner å vibrere uvanlig mye (undersøk umiddelbart)
 - inspiser for skader,
 - skift ut eller reparer enhver skadet del,
 - kontroller og stram alle løs deler.

37. Vær forsiktig under justering av gressklipperen slik at fingrene ikke befinner seg mellom roterende kniver og gressklipperens faste deler.
38. Klipp på tvers av skråninger, aldri oppover og nedover. Vær svært forsiktig under endring av retning i skråninger. Ikke klipp allfor bratte skråninger.
39. Ikke vask med slange; unngå at det kommer vann inn i motoren og elektriske koblinger.
40. Kontroller hyppig at knivens festebolt sitter ordentlig fast.
41. Pass på at alle muttere, bolter og skruer sitter fast for å sikre at utstyret er i god stand.
42. Vær forsiktig, da å rotere én kniv kan få andre kniver til å rotere.
43. La alltid gressklipperen avkjøles før den settes til oppbevaring.
44. Under service på knivene, vær oppmerksom på at selv om strømkilden er avslått, kan knivene fremdeles bevege seg.
45. Erstatt slitte og skadete deler for å trygge sikkerheten. Bruk kun originale reservedeler og tilbehør.
46. La en kvalifisert reparatør utføre service på det elektriske verktøyet ditt, og se til at vedkommende kun bruker originale reservedeler. Dette vil opprettholde sikkerheten til det elektriske verktøyet.
47. Følg instruksjonene for smøring og skifting av tilbehør.
48. Hold håndtakene tørre, rene og fri for olje og smørefett.
49. Sjekk at spenningen og frekvensen til strømforsyningen samsvarer med spesifikasjonene på typeskiltet. Vi anbefaler bruk av en reststrømdrevet bryter (jordfeilbryter) med en overlaststrøm på 30 mA eller mindre, eller et jordstrømvern.
50. Dette apparatet kan brukes av barn fra 8 år og oppover og av personer med reduserte fysiske, sensoriske eller mentale evner eller mangel på erfaring og kunnskap, såfremt de har fått veiledning eller har blitt gitt instruksjoner om sikker bruk av apparatet og forstår farene som er involvert. Rengjøring og brukervedlikehold skal ikke utføres av barn uten oppsyn.

Restrisikoer

Selv om du bruker dette produktet med alle de satte kravene til sikkerhet, gjenstår det en fare for personskader og materielle skader. Følgende farer kan oppstå i forbindelse med dette produktets konstruksjon og design.

1. Helseskader som måtte oppstå på grunn av vibrasjon når produktet brukes over lengre tidsperioder eller ikke er i god stand og riktig vedlikeholdt.
2. Personskader og skade på eiendom på grunn av brukket tilbehør eller plutselige slag av skjulte gjenstander i løpet av bruken.
3. Fare for personskade og skade på eiendom forårsaket av flyvende gjenstander.

⚠ADVARSEL: Dette produktet produserer en elektromagnetisk felt når det er i bruk. Dette feltet kan under noen omstendigheter forstyrre aktive eller passive medisinske implantater. For å redusere risikoen for alvorlig personskade, eventuelt med døden til følge, anbefaler vi at personer med medisinske implantater rådfører seg med lege og produsenten av implantatet før de bruker dette produktet.

TA VARE PÅ DISSE INSTRUKSENE.

⚠ADVARSEL: IKKE LA hensynet til hva som er "behagelig" eller det faktum at du kjenner produktet godt (etter mange gangers bruk) gjøre deg mindre oppmerksom på sikkerhetsreglene for bruken av det aktuelle produktet.

Ved MISBRUK eller hvis ikke sikkerhetsreglene i denne bruksanvisningen følges, kan det oppstå alvorlig personskade.

MONTERING

⚠FORSIKTIG: Forviss deg alltid om at maskinen er slått av og støpselet trukket ut av kontakten før du utfører noe arbeid på maskinen.

Sette sammen håndtaket

1. Ta det øvre håndtaket ut av maskinens hovedenhet.
▶ Fig.1: 1. Øvre håndtak
2. Løs fingermutrene.
▶ Fig.2: 1. Fingermutter
3. Utvid hendelen utvendig litt, og reis opp hendelen.
▶ Fig.3: 1. Håndtak
4. Juster håndtakhøyden ved å rette pilen inn med merket.
▶ Fig.4: 1. Fingermutter 2. Merke 3. Pil
5. Skru til fingermutrene.
▶ Fig.5: 1. Fingermutter
6. Fest det øvre håndtaket ved å sette inn spakene fra utsiden av håndtaket og stram så mutrene med skrunøkkelen for å sikre håndtaket.
▶ Fig.6: 1. Spak 2. Mutter
7. Sikre ledningene med klemmer som vist i figuren.
▶ Fig.7: 1. Klemme

Montere gresskurven

1. Fest rørene på gresskurven til rammen.
▶ Fig.8: 1. Rør 2. Ramme
2. Åpne bakdekselet.
▶ Fig.9: 1. Bakdeksel
3. Hekt gresskurven på baksiden av maskinen.
▶ Fig.10

Når du skal ta av gresskurven, følger du monteringsprosedyren i motsatt rekkefølge.

Koble til skjøteledning

⚠ ADVARSEL: Når du kobler skjøteledningen til maskinens strømplugg, må du passe på at startbryteren er sluppet og ledningen er koblet fra strømforsyningen.

⚠ ADVARSEL: Du må ikke koble til eller fra skjøteledningen med våte hender.

OBS: Når du kobler skjøteledningen til maskinens strømplugg, må du påse at den skyves helt inn i kontakten.

Når du kobler til skjøteledningen, hekter du den over kroken på håndtaket slik det er vist på figuren, for å unngå at den kobles fra utilsiktet ved sterkt strekk på pluggen.

► **Fig.11:** 1. Krok 2. Skjøteledning

FUNKSJONSBEKRIVELSE

Tilpasse klippehøyden

⚠ ADVARSEL: Før du justerer klippehøyden, må du koble skjøteledningen fra strømforsyningen og kontrollere at knivene har stoppet helt.

⚠ ADVARSEL: Plasser aldri hånd eller ben under gressklipperens hoveddel når du justerer klippehøyden.

Du kan justere klippehøyden i området 20 mm til 55 mm (for ELM3320/ELM3720) eller 20 mm til 75 mm (for ELM4120). Klippehøyden kan justeres i 3 nivå (for ELM3320/ELM3720) eller 7 nivå (for ELM4120).

For ELM3320/ELM3720

► **Fig.12:** 1. Justeringsspak

For ELM4120

► **Fig.13:** 1. Justeringsspak

Hold håndtaket med én hånd og beveg så justeringsspaken med den andre hånden.

► **Fig.14:** 1. Justeringsspak

MERK: Gjør en prøveklipping på et mindre iøynefallende sted for å oppnå den høyden du ønsker.

Bryterfunksjon

⚠ ADVARSEL: Før du kobler til maskinen, må du alltid kontrollere at startbryteren aktiverer maskinen på riktig måte og går tilbake til "AV"-stilling når den slippes.

⚠ ADVARSEL: Av hensyn til din egen sikkerhet er denne maskinen utstyrt med en AV-sperreknapp som forhindrer utilsiktet start. Maskinen må aldri brukes hvis det begynner å gå bare du trykker på startbryteren, uten at du må trykke på AV-sperreknappen. Be nærmeste Makita-servicesenter om å reparere det.

⚠ ADVARSEL: Du må aldri deaktivere låsefunksjonen eller teipe fast AV-sperreknappen.

OBS: Ikke press hardt på startbryteren uten å trykke inn AV-sperreknappen. Bryteren kan bli ødelagt.

For å starte maskinen, må du trykke inn AV-sperreknappen og så trykke inn startbryteren. Du stanser ved å slippe startbryteren.

► **Fig.15:** 1. Startbryter 2. AV-sperreknapp

Nivåindikator for gresskurven

Nivåindikatoren for gresskurven åpnes under klippingen hvis gresskurven ikke er full. Så lenge gresskurven ikke er full, lukkes indikatoren når du klipper gresset. Hvis den er full, må du tømme gresskurven før du starter klippingen.

► **Fig.16:** 1. Nivåindikator

► **Fig.17:** 1. Nivåindikator

Justere håndtakhøyden

Håndtakhøyden kan justeres i tre nivåer. Løs fingermutrene mens du holder i håndtaket, juster så håndtaket ved å rette pilen inn med ett av merkene og skru deretter til fingermutrene.

► **Fig.18:** 1. Fingermutter 2. Merke 3. Pil

Motorvernssystem (overstrømsrelé)

⚠ ADVARSEL: Hvis maskinen plutselig stopper under bruk, må du slippe startbryteren og koble fra skjøteledningen. Ellers kan maskinen plutselig starte igjen og føre til personskader.

⚠ FORSIKTIG: Før du fjerner en gjenstand som blokkerer kniven, må du passe på å bruke hansker og å koble skjøteledningen fra strømkontakten.

Hvis klippet gress eller skitt blokkerer inne i hoveddelen, stopper maskinen automatisk for å beskytte motoren (overstrømsrelé). I så tilfelle, må du koble skjøteledningen fra strømkontakten, deretter fjerne materialet som blokkerer, og så la maskinen kjøle seg ned i noen minutter før du slår den på igjen.

MERK: Overstrømsreléet kan bli aktivert hvis vått eller langt gress samler seg opp inne i hoveddelen.

BRUK

Klipping

⚠ ADVARSEL: Før klipping, rydd vekk pinner og steiner fra klippeområdet. I tillegg, rensk vekk ugress fra området på forhånd.

► **Fig.19**

⚠ ADVARSEL: Bruk alltid vernebriller med sidevern under bruk av gressklipperen.

⚠ FORSIKTIG: Hvis klippet gress eller fremmedlegemer blokkerer inne i gressklipperen, må du passe på å slå av strømmen og deretter koble skjøteledningen fra strømkontakten. Før du fjerner gress eller fremmedlegemer, må du passe på å bruke hansker.

⚠ FORSIKTIG: Pass på at du monterer gresskurven når du bruker maskinen.

OBS: Denne maskinen skal kun brukes til plenklipping. Ikke klipp ugress med denne maskinen.

Hold håndtaket fast med begge hender under klippingen.

► Fig.20

Retningslinje for klipperhastigheten er omtrent én meter på fire sekunder.

► Fig.21

Start klippingen nær strømkontakten for å sikre at skjøteledningen ikke blir en hindring.

► Fig.22: 1. Strømkontakt 2. Skjøteledning

Ikke la skjøteledningen komme under eller vikle seg inn under maskinen.

► Fig.23

► Fig.24

Linjene på begge sider av hoveddelen er veiledning for klippebredden. Klipp i striper ved hjelp av linjene som veiledning. Overlapp med halvdelen til én tredel av den foregående stripen for å klippe plenen jevnt.

► Fig.25: 1. Klippebredde 2. Overlapping 3. Linje

Skift klipperetning hver gang for å unngå at mønsteret for gressstråretningen dannes bare i én retning.

► Fig.26

Du må regelmessig kontrollere gressnivået i gresskurven. Tøm gresskurven før den blir helt full. Før hver periodiske kontroll, må du passe på å stanse maskinen.

MERK: Bruk av gressklipperen med gresskurven full, hindrer jevn rotering av bladet og legger en ekstra belastning på motoren, hvilket kan føre til at den bryter sammen.

Klipping av plen med høyt gress

Ikke forsøk å kutte langt gress i én omgang. Det er bedre å klippe gresset trinnvis. La det gå en dag eller to mellom hver klipping, inntil plenen blir jevnt kort.

► Fig.27

MERK: Dersom gresset klippes kort i én økt, kan det føre til at gresset dør. Oppkuttet gress kan også blokkere innsiden av gressklipperen.

Kantklipping

Når du klipper ved en kant, må du passe på å føre maskinen langs kanten.

► Fig.28

VEDLIKEHOLD

⚠ ADVARSEL: Før du utfører vedlikehold, må du koble skjøteledningen fra strømforsyningen og forsikre deg om at knivene har stoppet helt.

⚠ FORSIKTIG: Bruk alltid hansker når du utfører vedlikehold.

For å opprettholde produktets SIKKERHET og PALITELIGHET, må reparasjoner, vedlikehold og justeringer utføres av autoriserte Makita servicesentre eller fabrikk-servicesentre, og det må alltid brukes reservedeler fra Makita.

Vedlikehold etter klipping

Etter klippingen tørker du av maskinen med en tørr klut eller en klut dyppet i såpevann. Bruk også en myk børste til å børste gress og skitt av knivene.

OBS: Aldri bruk gasolin, bensin, tynner alkohol eller lignende. Det kan føre til misfarging, deformering eller sprekkdannelse.

Oppbevaring

1. Koble fra skjøteledningen.

► Fig.29: 1. Skjøteledning

2. Åpne bakdekselet og fjern gresskurven.

► Fig.30: 1. Bakdekselet 2. Gresskurv

3. Løs fingermutrene mens du holder håndtaket, slå ut håndtaket på utsiden litt, og fold så sammen håndtaket.

► Fig.31: 1. Fingermutter 2. Håndtak 3. Merke 4. Pål

⚠ FORSIKTIG: Når du folder sammen håndtaket, må du passe på du ikke klemmer hånden eller fingrene.

MERK: Pass på at pilen peker på merket som er plassert helt fremme.

4. Skru til fingermutrene.

► Fig.32: 1. Fingermutter

5. Åpne hendlene og plasser ledningen over hendelen.

► Fig.33: 1. Hendel 2. Ledning

6. Sett hendlene tilbake i halvveis posisjon, som vist i figuren.

► Fig.34: 1. Hendel

7. Fold sammen håndtaket.

► Fig.35: 1. Håndtak

8. Plasser maskinen som vist i figuren.

► Fig.36

⚠ FORSIKTIG: Oppbevar denne maskinen innendørs og på en jevn flate. Ellers kan maskinen falle og føre til personskader.

Du kan også oppbevare maskinen slik.

1. Koble fra skjøteledningen.
► **Fig.37:** 1. Skjøteledning
2. Åpne bakdekselet og fjern gresskurven.
► **Fig.38:** 1. Bakdeksel 2. Gresskurv
3. Still inn klippehøyden med justeringsspaken.

For ELM3320/ELM3720:

Still inn klippehøyden til "1".
► **Fig.39:** 1. Justeringsspak

For ELM4120:

- Still inn klippehøyden til "2".
► **Fig.40:** 1. Justeringsspak
4. Løs fingermutrene mens du holder håndtaket, slå ut håndtaket på utsiden litt, og fold så sammen håndtaket.
► **Fig.41:** 1. Fingermutter 2. Håndtak 3. Merke 4. Pil

⚠FORSIKTIG: Når du folder sammen håndtaket, må du passe på du ikke klemmer hånden eller fingrene.

MERK: Pass på at pilen peker på merket som er plassert helt fremme.

5. Skru til fingermutrene.
► **Fig.42:** 1. Fingermutter
6. Plasser maskinen som vist i figuren.
► **Fig.43**

⚠FORSIKTIG: Oppbevar denne maskinen innendørs og på en jevn flate. Ellers kan maskinen falle og føre til personskader.

Du kan også oppbevare maskinen ved å folde sammen håndtaket.

⚠FORSIKTIG: Før spakene åpnes, må du holde fast det øvre håndtaket. Ellers kan håndtaket falle ned og føre til personskader.

1. Åpne spakene mens du holder det øvre håndtaket.
► **Fig.44:** 1. Spak
2. Fold sammen det øvre håndtaket.
► **Fig.45:** 1. Øvre håndtak

Skifte gressklipperkniven

⚠FORSIKTIG: Ikke bruk noen annen skrunøkkel enn den standard sekskantnøkkelen når du skifter gressklipperkniven. Bruk av en annen skrunøkkel kan føre til at det skrues til for fast eller for løst, noe som kan føre til personskader.

1. Koble fra skjøteledningen og still opp maskinen. (Se instruksjoner for oppbevaring.)
2. Sett splinten inn i hullet, hold håndtaket med den ene hånden og bruk skrunøkkelen til å løsne bolten mot klokken.
► **Fig.46:** 1. Kniv 2. Skrunøkkel 3. Splint

3. Ta av gressklipperkniven.

For ELM3320

Fjern bolten, skiven og gressklipperkniven og braketten i den rekkefølgen.

- **Fig.47:** 1. Brakett 2. Gressklipperkniv 3. Skive 4. Bolt

For ELM3720/ELM4120

Skrut ut bolten, ta av skiven og gressklipperkniven og avstandsstykket i den rekkefølgen.

- **Fig.48:** 1. Avstandsskive 2. Brakett 3. Gressklipperkniv 4. Skive 5. Bolt

4. Sett på den nye gressklipperkniven, og sett så splinten inn i hullet og bruk skrunøkkelen til å stramme bolten godt med klokken.

- **Fig.49:** 1. Gressklipperkniv 2. Skrunøkkel 3. Splint

Skjøteledning

Du bør kun bruke skjøteledninger for utendørs bruk, PVC eller gummiledning for vanlig belastning, med et tverrsnitt på minimum 1,5 mm².

Før og under bruk, må du kontrollere skjøteledningen for skader. Ikke bruk maskinen hvis kablet er skadd eller slitt. Hold skjøteledningen vekk fra skjæreelementer. Hvis ledningen skades ved bruk, må du koble ledningen fra strømforsyningen med én gang. Ikke rør kablet før strømforsyningen kobles fra.

VALGFRITT TILBEHØR

⚠FORSIKTIG: Det anbefales at du bruker dette tilbehøret eller verktøyet sammen med den Makita-maskinen som er spesifisert i denne håndboken. Bruk av annet tilbehør eller verktøy kan forårsake personskader. Tilbehør og verktøy må kun brukes til det formålet det er beregnet på.

Ta kontakt med ditt lokale Makita-servicesenter hvis du trenger mer informasjon om dette tilbehøret.

- Gressklipperkniv

MERK: Enkelte elementer i listen kan være inkludert som standardtilbehør i verktøypakken. Elementene kan variere fra land til land.

TEKNISET TIEDOT

Malli:	ELM3320	ELM3720	ELM4120
Kuormittamaton kierrosnopeus	3 400 min ⁻¹		
Leikkuukorkeus	20 mm - 55 mm		20 mm - 75 mm
Leikkuuleveys	330 mm	370 mm	410 mm
Ruohonleikkurin vaihtoterän osanumero	YA00000731	YA00000732	YA00000733
Mitat (P x L x K)	Käytön aikana (ruohosäiliöllä)	P: 1 040 mm – 1 230 mm L: 380 mm K: 870 mm – 1 110 mm	P: 1 140 mm – 1 330 mm L: 415 mm K: 890 mm – 1 120 mm
	Varastoitaessa (ilman ruohosäiliötä)	350 mm x 380 mm x 1 090 mm	335 mm x 415 mm x 1 090 mm
Nettopaino	10,2 kg	11,6 kg	14,5 kg
Suojausluokka	□/II		

- Jatkuvasta tutkimus- ja kehitystyöstämme johtuen esitetyt tekniset tiedot saattavat muuttua ilman erillistä ilmoitusta.
- Tekniset tiedot voivat vaihdella maittain.
- Paino voi olla erilainen lisävarusteista johtuen. EPTA-meneteltävän 01/2014 mukaisesti, taulukossa on kuvattu kevyin ja painavin laiteyhdistelmä.

Symbolit

Laitteessa on käytetty seuraavia symboleja. Opettele niiden merkitys ennen käyttöä.



Noudata erityistä varovaisuutta ja kiinnitä huomiota.
Lue käyttöohje.



KAKSINKERTAINEN ERISTYS



Vaara; varo sinkoutuvia kappaleita.
Sivullisten henkilöiden etäisyyden työkä-
lusta on oltava vähintään 15 m.



Odota, kunnes kaikki koneen osat ovat pysähtyneet kokonaan, ennen kuin kosket niihin.



Pidä joustava virtajohto etäällä leikkuteristä.



Varo teräviä teriä. Terät jatkavat pyörimistä moottorin sammuttamisen jälkeen. Irrota pistoke koneesta ennen huoltoa ja silloin, jos johto on vioittunut.



Koneen melu on enimmillään 96 dB.



Pidä kädet ja jalat loitolla. Älä käytä ruohonleikkuria, jos suojat ja lisälaitteet eivät ole asianmukaisilla paikoillaan.



Koskee vain EU-maita
Älä hävitä sähkötarvikkeita tavallisen kotitalousjätteen mukana! Vanhoja sähkö- ja elektroniikkalaitteita koskevan EU-direktiivin ja sen maakohtaisten sovel-
lusten mukaisesti käytetyt sähkötarvikkeet on toimitettava ongelmajätteen keräyspisteeseen ja ohjattava ympäristöystävälliseen kierrätykseen.

Käyttötarkoitus

Kone on tarkoitettu ruohonleikkuuseen. Älä käytä konetta muihin tarkoituksiin. Vaaratilanne on mahdollinen, jos konetta käytetään tarkoituksiin, joihin sitä ei ole suunniteltu.

Virtalähde

Koneen saa kytkeä vain sellaiseen virtalähteeseen, jonka jännite on sama kuin arvokilvessä ilmoitettu, ja sitä saa käyttää ainoastaan yksivaiheisella vaihtovirralla. Laitte on kaksinkertaisesti suojaeristetty ja siksi se voidaan kytkeä myös maadoittamattomaan pistorasiaan.

Jos virtajohto on vaurioitunut, valmistajan tai jälleenmyyjän on vaihdettava se vaaratilanteiden välttämiseksi.

220-250 V matalajännitteiset julkiset jakeluverkot

Sähkölaitteiden käynnistyksen ja sammutuksen aiheuttavat jännitevaihtelu. Tämän laitteen käyttö epävakaa sähköverkossa saattaa haitata muiden laitteiden toimintaa. Haittavaikutuksia ei ole odotettavissa, jos verkkoimpedanssi on enintään 0,425 ohmia (ELM3720) tai 0,427 ohmia (ELM4120). Verkkopistokkeessa, johon tämä laite kytketään, on oltava sulake tai hidas vikavirtakatkaisin.

Melutaso

Soveltuva standardi : EN60335

Malli	Äänenpainetaso		Äänitehotaso	
	L _{PA} (dB (A))	Epävarmuus K (dB (A))	L _{PA} (dB (A))	Epävarmuus K (dB (A))
ELM3320	83	3	94	2
ELM3720	83	3	94	1
ELM4120	84	3	93	2

HUOMAA: Ilmoitetut melutasoarvot on mitattu standarditestausten menetelmän mukaisesti ja niiden avulla voidaan vertailla työkaluja keskenään.

HUOMAA: Ilmoitettuja melutasoarvoja voidaan käyttää myös altistumisen alustavaan arviointiin.

VAROITUS: Käytä kuulosuojaimia.

VAROITUS: Sähkötyökalun käytön aikana mitattu melutasoarvo voi poiketa ilmoitetuista arvoista laitteen käyttötavan ja erityisesti käsiteltävän työkalupaleen mukaan.

VAROITUS: Selvitä käyttäjän suojaamiseksi tarvittavat varoimet todellisissa käyttöolosuhteissa tapahtuvan arvioidun altistumisen mukaisesti (ottaen huomioon käyttöjaksoko- kokonaisuudessaan, myös jaksot, joiden aikana laite on sammutettuna tai käy tyhjäkäynnillä).

Tärinä

Kokonaistärinä (kolmen akselin vektorien summa) määräytyy standardin EN60335 mukaan:

Malli ELM3320

Tärinäpäästö (a_n): 2,5 m/s² tai alaisempi
Virhemarginaali (K): 1,5 m/s²

Malli ELM3720

Tärinäpäästö (a_n): 2,5 m/s² tai alaisempi
Virhemarginaali (K): 1,5 m/s²

Malli ELM4120

Tärinäpäästö (a_n): 2,5 m/s² tai alaisempi
Virhemarginaali (K): 1,5 m/s²

HUOMAA: Ilmoitetut kokonaistärinäarvot on mitattu standarditestausten menetelmän mukaisesti ja niiden avulla voidaan vertailla työkaluja keskenään.

HUOMAA: Ilmoitettuja kokonaistärinäarvoja voidaan käyttää myös altistumisen alustavaan arviointiin.

VAROITUS: Sähkötyökalun käytön aikana mitattu todellinen tärinäpäästöarvo voi poiketa ilmoitetuista arvoista laitteen käyttötavan ja erityisesti käsiteltävän työkalupaleen mukaan.

VAROITUS: Selvitä käyttäjän suojaamiseksi tarvittavat varoimet todellisissa käyttöolosuhteissa tapahtuvan arvioidun altistumisen mukaisesti (ottaen huomioon käyttöjaksoko- kokonaisuudessaan, myös jaksot, joiden aikana laite on sammutettuna tai käy tyhjäkäynnillä).

EY-vaatimusten mukaisuusvakuutus

Koskee vain Euroopan maita

EY-vaatimusten mukaisuusvakuutus on liitetty tähän käyttöoppaaseen.

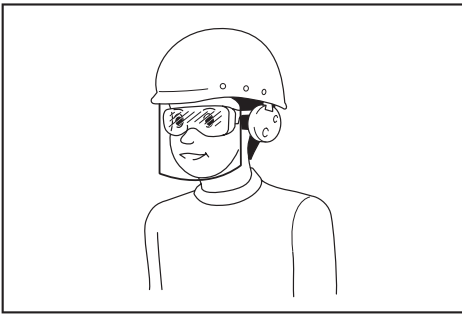
TURVAVAROITUKSET

TÄRKEITÄ TURVAOHJEITA

VAROITUS: Lue huolellisesti kaikki turvallisuusvaroitukset ja käyttöohjeet. Jos varoitusten ja ohjeiden noudattaminen laiminlyödään, seurauksena voi olla sähköisku, tulipalo ja/tai vakava vammautuminen.

Säilytä varoitukset ja ohjeet tulevaa käyttöä varten.

1. Lapsia tulee valvoa ja varmistaa etteivät he pääse leikkimään ruohonleikkurilla.
2. Älä anna lasten tai näihin ohjeisiin perehtymättömien henkilöiden käyttää ruohonleikkuria. Paikalliset määräykset voivat rajoittaa käyttäjän ikää.
3. Ruohonleikkuria ei saa koskaan käyttää, kun lähistöllä on muita henkilöitä, etenkin lapsia, tai lemmikkieläimiä.
4. Muista, että käyttäjä vastaa tapaturmista tai vahingoista, jotka hän aiheuttaa muille ihmisille tai heidän omaisuudelleen.
5. Käytä ruohonleikkuria käyttäessäsi aina tukevia jalkineita ja pitkiä housuja. Älä käytä ruohonleikkuria paljain jaloin tai avosandaalittain jalassa. Älä käytä vaatteita tai koruja, jotka ovat väljiä tai joissa on irrallisia nauhoja tai ketjuja. Ne voivat tarttua laitteen liikkuviin osiin.
6. Käytä aina suojalaseja silmiesi suojaamiseksi tapaturmia vastaan sähkökäyttöisten laitteiden käytön aikana. Suojalasien täytyy noudattaa ANSI Z87.1 Yhdysvalloissa, EN 166 Euroopassa tai AS/NZS 1336 Australiassa / Uudessa Seelannissa olevia vaatimuksia. Australiassa / Uudessa Seelannissa on lainmukaisesti pakollista käyttää kasvosuojaimia myös kasvojen suojaamiseksi.



Työnantajien velvollisuuksiin kuuluu varmistaa, että laitteen käyttäjät ja työpaikan välittömässä läheisyydessä olevat muut sivulliset henkilöt käyttävät asianmukaisia henkilönsuojaimia.

7. Tarkista ennen käyttöä, ettei virranlähteessä ja virtajohtossa näy vaurioiden tai ikääntymisen merkkejä. Jos johto vioittuu käytön aikana, irrota johto virranlähteestä heti. Älä koske johtoon, ennen kuin olet irrottanut virranlähteen. Älä käytä ruohonleikkuria, jos johto on vioittunut tai kulunut.
8. Käytä ruohonleikkuria vain päivänvalossa tai kirkaassa keinovalossa.
9. Vältä ruohonleikkurin käyttämistä märällä nurmikolla.
10. Älä koskaan käytä ruohonleikkuria sateella.
11. Pidä aina tukevasti kiinni kahvasta.
12. Varmista aina tukeva jalansija rinteessä työskennellessäsi.
13. Kävele, älä koskaan juokse.
14. Älä tartu leikkuuteeriin tai leikkaaviin reunoihin, kun nostat tai kannattelet ruohonleikkuria.
15. Fyysinen kunto – älä käytä ruohonleikkuria huumausainneiden, alkoholin tai lääkityksen alaisena.
16. Pidä jalkasi ja kätesi kaukana pyörivistä teristä. Varoitus - terät pyörivät vielä sen jälkeen kun leikkuri on kytketty pois päältä.
17. Käytä vain valmistajan tässä ohjeessa ilmoittamia teriä.
18. Tarkista, ettei terissä ole halkeamia, ennen kuin aloitat työskentelyn. Vaihda halkeilleet tai muuten vahingoittuneet terät heti uusiin.
19. Varmista ennen ruohonleikkurin aloittamista, ettei alueella ole muita ihmisiä. Lopeta ruohonleikkurin käyttö, jos työskentelyalueelle tulee muita.
20. Poista vieraat esineet, kuten kivet, langat ja köydet, pullot, luut ja suuret kepit, ennen leikkuuta.
21. Lopeta käyttö heti, jos havaitset jotakin epävaivallista. Sammuta ruohonleikkuri ja irrota virtajohto virranlähteestä. Tarkista sitten ruohonleikkuri.
22. Älä koskaan yritä säätää pyörren korkeutta, kun ruohonleikkuri on käynnissä.
23. Vapauta kytkinvipu ja anna terien pysähtyä ennen ajo- ja kävelyreittien, yleisten teiden tai sorpintaisten alueiden ylläpitämistä. Irrota virtajohto virranlähteestä myös, jos poistut ruohonleikkurin luota, kurotat nostamaan jotakin tai ottamaan jotakin pois tieltä tai teet muuta, joka voi jostain syystä siirtää huomiosi pois laitteen käytöstä.

24. Ruohonleikkurin terien sinkoamat esineet voivat aiheuttaa vakavia henkilövahinkoja. Ennen jokaista leikkuukertaa nurmikko on tutkittava huolellisesti ja ylimääräiset esineet on poistettava alueelta.
25. Jos ruohonleikkuri osuu vieraaseen esineeseen, toimi seuraavasti:
 - Pysäytä ruohonleikkuri, vapauta kytkinvipu ja odota, että terä pysähtyy täysin.
 - Irrota virtajohto virranlähteestä.
 - Tarkista huolellisesti, ettei ruohonleikkuri ole vaurioitunut.
 - Vaihda terä, jos se on jotenkin vaurioitunut. Korjaa mahdolliset vahingot ennen ruohonleikkurin uudelleen käynnistämistä ja toiminnan jatkamista.
26. Tarkista säännöllisesti, ettei ruohosäiliössä ole kulumia tai murtumia. Tarkista ennen laitteen asettamista säiliöön, että ruohosäiliö on tyhjä. Kulunut ruohosäiliö on turvallisuussyistä korvattava tehdasuudella.
27. Ole erityisen varovainen, kun peruutat ruohonleikkuria tai vedät sitä itseäsi kohti.
28. Pysäytä terät, jos ruohonleikkuria on tarpeen kallistaa ruohottomia alueita ylitettäessä, sekä silloin, kun siirät sitä leikattavalle nurmi-alueelle ja takaisin.
29. Älä koskaan käytä ruohonleikkuria, jos suojukset tai kilvet ovat vioittuneet tai turvalaitteet, esimerkiksi kivisuojat ja/tai ruohosäiliö, eivät ole paikallaan.
30. Käynnistä moottori varovaisuutta noudattaen ja ohjeiden mukaisesti ja pidä jalkasi poissa terän (terien) ulottuvilta.
31. Älä kallista ruohonleikkuria moottorin käynnistyksen aikana, ellei se ole käynnistyksen kannalta välttämätöntä. Jos kallistaminen on välttämätöntä, kallista laitetta mahdollisimman vähän ja kohota vain käyttäjään nähden kauimpana olevaa puolta. Varmista aina, että molemmat kätesi ovat käyttöasennossa, ennen kuin lasket laitteen maahan.
32. Älä käynnistä ruohonleikkuria seisossasi poistoaukon edessä.
33. Älä aseta käsiäsi tai jalkojasi pyörivien osien alle tai lähelle. Pidä poistoaukko aina esteettömänä jäämistä.
34. Älä kuljeta ruohonleikkuria sen ollessa käynnissä.
35. Pysäytä ruohonleikkuri ja irrota pistoke pistorasiasista. Varmista, että kaikki liikkuvat osat ovat täysin pysähtyneet
 - aina poistuessasi ruohonleikkurin luota,
 - ennen tukosien poistamista tai kourun puhdistamista,
 - ennen ruohonleikkurin tarkastamista, puhdistamista tai kunnossapitoa,
 - laitteen osuttua vieraaseen esineeseen.
 Tarkasta ruohonleikkuri vaurioiden varalta ja korjaa mahdolliset viat, ennen kuin käynnistät sen uudelleen.
36. Jos ruohonleikkuri alkaa täristä epänormaalisti (tutki syy heti),
 - tarkasta vauriot,

- vaihda tai korjaa vaurioituneet osat,
- tarkasta ja kiristä löystyneet osat.

37. Varo laitteen säätämisen aikana, etteivät sormesi jää pyörivien terien ja ruohonleikkurin kiinteiden osien väliin.
38. Leikkaa nurmikko rinteessä aina poikittais-suuntaan, älä koskaan ylös ja alas. Ole erityisen varovainen vaihtaessasi suuntaa rinteessä. Älä leikkaa nurmikkoa liian jyrkissä rinteissä.
39. Älä pese letkulla, vältä moottorin ja sähköliitäntöjen altistamista vedelle.
40. Tarkista säännöllisesti, että terän kiinnityspultit ovat riittävän kireällä.
41. Varmista laitteen käyttöturvallinen kunto tarkistamalla, että kaikki mutterit, pultit ja ruuvit ovat tiukasti kiinni.
42. Toimi varovaisesti, sillä yksi pyörivä terä voi pyörittää myös muita.
43. Anna ruohonleikkurin jäähtyä, ennen kuin siirrät sen varastoon.
44. Kun huollat teriä, muista, että vaikka virta on katkaistu, terät voivat silti liikkua.
45. Vaihda kuluneet tai vioittuneet osat turvallisuusyistä. Käytä vain aitoja varaosia ja tarvikkeita.
46. Anna pätevän korjaajan huoltaa sähkötyökalusi käyttäen vain identtisiä varaosia. Näin varmistetaan, että sähkötyökalun turvallisuus säilyy.
47. Noudata voitelu- ja lisävarusteiden vaihto-ohjeita.
48. Pidä kahvat kuivina, puhtaina ja erossa öljystä ja rasvasta.
49. Varmista, että virtalähteen jännite ja taajuus vastaavat työkalun arvokilven arvoja. On suositeltavaa käyttää jäännösvirtakatkaisinta (vikavirtasuojasta), jonka laukaisuvirta on enintään 30 mA, tai maavuotovirralla suojaavaa kytkintä.
50. Tätä konetta voivat käyttää myös 8-vuotiaat tai sitä vanhemmat lapset sekä henkilöt, joiden fyysiset, sensoriset tai henkiset kyvyt ovat rajoittuneet tai joilla ei ole kokemusta tai tietoa koneen käytöstä, jos he käyttävät konetta valvotusti tai jos heille annetaan riittävät ohjeet koneen käyttämiseksi turvallisella tavalla ja he ymmärtävät siihen liittyvät riskit. Lapset eivät saa puhdistaa tai huoltaa konetta ilman valvontaa.

Jäänösriskit

Vaikka tätä tuotetta käytetään kaikkien turvallisuusvaatimusten mukaisesti, kaikki mahdollisia vamma- ja vaurioriskejä ei voida poistaa. Tuotteen käyttöön voi liittyä seuraavia tuotteen rakenteeseen ja suunnitteluun perustuvia vaaroja.

1. Tuotteen tärinän aiheuttamat terveydelliset vaivat, jos tuotetta käytetään pitkiä aikoja tai sitä ei ylläpidetä ja huolleta asianmukaisesti.
2. Käyttötyökalujen rikkoutumisesta tai äkillisistä osumisista piilossa oleviin esineisiin käytön aikana johtuvat vammat ja omaisuusvahingot.
3. Lentävien esineiden aiheuttamat loukkaantumisia omaisuusvahinkovaarat.

VAROITUS: Tämä tuote tuottaa sitä käytettäessä sähkömagneettisen kentän. Kyseinen kenttä voi tietyissä olosuhteissa häitää aktiivisia tai passiivisia lääketieteellisiä implantteja. Vakavien ja kuolemanvaaran aiheuttavien vammojen välttämiseksi suosittelemme henkilöitä, joilla on lääketieteellisiä implantteja kysymään ohjeita lääkäriltä ja implanttien valmistajilta ennen tämän tuotteen käyttämistä.

SÄILYTÄ NÄMÄ OHJEET.

VAROITUS: ÄLÄ anna työkalun helppokäyttöisyyden (toistuvan käytön aikaansaama) johtaa sinua vääriin turvallisuuden tunteeseen niin, että laiminlyöt työkalun turvaohjeiden noudattamisen. **VÄÄRINKÄYTTÖ** tai tässä käyttöohjeessa ilmoitettujen turvamääräysten laiminlyönti voi aiheuttaa vakavia henkilövahinkoja.

KOKOONPANO

HUOMIO: Varmista aina ennen koneelle tehtäviä toimenpiteitä, että kone on sammutettu ja irrotettu pistorasiasta.

Kahvan asennus

1. Pura yläkahva koneen pääyksiköstä.
► **Kuva1:** 1. Yläkahva
2. Löysää siipimutterit.
► **Kuva2:** 1. Siipimutteri
3. Levennä ensin kahvaa hieman ulkopuolelta ja nosta sitä sitten.
► **Kuva3:** 1. Kahva
4. Säädä kahvan korkeutta kohdistamalla nuoli merkin kohdalle.
► **Kuva4:** 1. Siipimutteri 2. Merkki 3. Nuoli
5. Kiristä siipimutterit.
► **Kuva5:** 1. Siipimutteri
6. Liitä yläkahva asettamalla vivut paikoilleen kahvan ulkopuolelta. Kiinnitä kahva sitten paikalleen kiristämällä lämmittämällä mutterit.
► **Kuva6:** 1. Vipu 2. Mutteri
7. Kiinnitä johdot kiinnikkeillä kuvan osoittamalla tavalla.
► **Kuva7:** 1. Kiinnike

Ruohosäiliön asentaminen

1. Kiinnitä ruohosäiliön putket runkoon.
► **Kuva8:** 1. Putki 2. Runko
2. Avaa takakansi.
► **Kuva9:** 1. Takakansi
3. Kiinnitä ruohosäiliö koneen takapuolella olevaan koukkuun.
► **Kuva10**

Ruohosäiliö irrotetaan päinvastaisessa järjestyksessä.

Jatkojohdon liittäminen

VAROITUS: Kun liität jatkojohdon koneen virtapistokkeeseen, varmista, että kytkinvipu on vapautettu ja että johto on irrotettu virranlähteestä.

VAROITUS: Älä liitä tai irrota jatkojohtoa märillä käsillä.

HUOMAUTUS: Kun liität jatkojohdon koneen virtapistokkeeseen, muista työntää se kokonaan pistokkeeseen.

Kun liität jatkojohdon, kiinnitä se kahvassa olevaan koukkuun kuvassa osoitetulla tavalla, jotta se ei voi irrota vahingossa, jos johtoa nykäistään.

► **Kuva11:** 1. Koukku 2. Jatkojohto

TOIMINTOJEN KUVAUS

Leikkaukseyvyyden säätäminen

VAROITUS: Irrota jatkojohto virranlähteestä ja tarkista, että terät ovat pysähtyneet kokonaan, ennen kuin säädät leikkaukorkeutta.

VAROITUS: Älä koskaan työnnä jalkojasi tai käsiäsi ruohonleikkurin rungon alle leikkaukorkeuden säädön aikana.

Voit säätää leikkaukorkeudeksi 20 mm - 55 mm (ELM3320/ELM3720) tai 20 mm - 75 mm (ELM4120). Leikkaukorkeuden säätötaisoja on 3 (ELM3320/ELM3720) tai 7 (ELM4120).

ELM3320/ELM3720

► **Kuva12:** 1. Säätövipu

Malli ELM4120

► **Kuva13:** 1. Säätövipu

Pidä kahvaa toisella kädellä ja siirrä säätövipua sitten toisella.

► **Kuva14:** 1. Säätövipu

HUOMAA: Kokeile leikkaukorkeutta ensin nurmikon syrjäisemmässä osassa.

Kytkimen käyttäminen

VAROITUS: Tarkista aina ennen työkalun kytkemistä pistorasiaan, että kytkinvipu toimii oikein ja palautuu vapautettaessa "OFF"-asentoon.

VAROITUS: Käyttäjän turvallisuuden varmistamiseksi tämä kone on varustettu lukituspainikkeella, joka estää laitteen vahingossa tapahtuvan käynnistämisen. Älä koskaan käytä konetta, jos se käynnistyy pelkästään kytkinvipua vetämällä ilman, että painaisit lukituspainiketta. Pyydä valtuutettua Makita-huoltokeskusta korjaamaan laite.

VAROITUS: Älä koskaan poista lukitustoimintoa käytöstä tai teippaa lukituspainiketta kiinni.

HUOMAUTUS: Älä vedä kytkinvipua voimakkaasti painamatta samalla lukituspainiketta. Kytkin voi vaurioitua.

Käynnistä kone painamalla lukituksen vapautuspainiketta ja puristamalla sitten kytkinvipua. Pysäytä kone vapauttamalla kytkinvipua.

► **Kuva15:** 1. Kytkinvipu 2. Lukituspainike

Ruohosäiliön määrän ilmaisin

Ruohosäiliön määrän ilmaisin on auki, jos ruohosäiliön ei ole täynnä. Jos ruohosäiliö on täynnä, määrän ilmaisin sulkeutuu leikkuun aikana. Jos ruohosäiliö täyttyy, tyhjennä se ennen leikkuun aloittamista.

► **Kuva16:** 1. Määrän ilmaisin

► **Kuva17:** 1. Määrän ilmaisin

Kahvakorkeuden säätäminen

Kahvakorkeutta voidaan säätää kolmella tasolla. Löysää siipimutterit samalla, kun pidät kahvasta. Säädä sitten kahvakorkeutta kohdistamalla nuoli johonkin merkeistä ja kiristämällä siipimutterit.

► **Kuva18:** 1. Siipimutteri 2. Merkki 3. Nuoli

Moottorin suojajärjestelmä (ylivirtarele)

VAROITUS: Jos kone pysähtyy yhtäkkiä, vapauta kytkinvipu ja irrota jatkojohto. Muuten kone voi käynnistyä yhtäkkiä uudelleen ja aiheuttaa vammoja.

HUOMIO: Käytä käsineitä ja irrota jatkojohto virtapistokkeesta, kun poistat terän jumittavan esineen.

Jos runkoon jumiutuu leikattua ruohoa tai liikaa, kone pysähtyy automaattisesti, jotta moottori ei vioitu (ylivirtarele). Irrota tässä tapauksessa jatkojohto virtapistokkeesta ja poista sitten tukoksen aiheuttava materiaali. Anna koneen jäähtyä muutama minuutti, ennen kuin kytket sen taas päälle.

HUOMAA: Ylivirtarele saattaa aktivoitua, kun runkoon jumiutuu märkää tai pitkää ruohoa.

TYÖSKENTELY

Ruohonleikkuu

VAROITUS: Poista kepit ja kivet leikkuaalueelta ennen leikkuun aloittamista. Poista myös rikkaruohot alueelta ennen ruohon leikkaamista.

► **Kuva19**

VAROITUS: Käytä sivusuojilla varustettuja suojalaseja aina, kun käytät ruohonleikkuria.

HUOMIO: Jos leikattu ruoho tai jokin vieras esine jumittuu ruohonleikkurin sisälle, sammuta virta ja irrota jatkojohto virtapistokkeesta. Käytä käsineitä, kun poistat ruohon tai vieraan esineen.

HUOMIO: Muista asentaa ruohonkerääjä, kun käytät laitetta.

HUOMAUTUS: Käytä tätä konetta vain ruohon leikkaamiseen. Älä leikkaa rikkakasveja tällä koneella.

Pidä kahvasta tukevasti molemmin käsin kiinni leikkuun aikana.

► **Kuva20**

Leikkuunopeus on noin yksi metri / neljä sekuntia.

► **Kuva21**

Aloita leikkuu virtapistokkeen läheltä, jotta jatkojohto ei muodostu esteeksi.

► **Kuva22:** 1. Virtapistoke 2. Jatkojohto

Varo, ettei jatkojohto joudu koneen alle tai sotkeudu koneeseen.

► **Kuva23**

► **Kuva24**

Rungon molemmilla puolella olevat viivat ohjaavat leikkuuleveyden määrityksessä. Käytä viivoja apuna arvioinnissa ja leikkaa kaista kerrallaan. Kun uusi kaista on noin kolmasosasta puoleen väliin limittäin edellisen kaistan kanssa, leikatusta nurmikosta tulee tasainen.

► **Kuva25:** 1. Leikkuuleveys 2. Limittäinen alue 3. Viiva

Vaihda leikkuusuuntaa joka kaistalle, jotta leikkuukuvia ei ole vain yksisuuntainen.

► **Kuva26**

Tarkista aika ajoin ruohosäiliöstä leikattu ruohomäärä. Tyhjennä säiliö, ennen kuin se on täynnä. Kun teet tarkistuksia, pysäytä kone.

HUOMAA: Jos ruohonleikkuria käytetään täysinäisellä ruohosäiliöllä, terä ei pääse pyörimään esteettä, mikä rasittaa moottoria ja voi vaurioittaa sitä.

Pitkän ruohon leikkaaminen

Älä yritä leikata pitkäksi kasvanutta nurmikkoa kokonaan yhdellä leikkuukerralla. Leikkaa sen sijaan nurmikkoa vaiheissa. Jätä päivä tai kaksi leikkuukertojen väliin, kunnes nurmikko on tasaisen lyhyt.

► **Kuva27**

HUOMAA: Pitkän ruohon leikkaaminen lyhyeksi yhdellä kerralla voi aiheuttaa ruohon kuoleamisen. Ruoho voi myös tukkia ruohonleikkurin rungon sisäpuolella.

Reunalla leikkaaminen

Kun leikkaat reunalla, liikuta konetta reunaa pitkin.

► **Kuva28**

KUNNOSSAPITO

VAROITUS: Irrota jatkojohto virranlähteestä ennen huoltotoimia ja tarkista, että terät ovat pysähtyneet kokonaan.

HUOMIO: Tee huoltotoimet aina käsineet kädessä.

Tuotteen TURVALLISUUDEN ja LUOTETTAVUUDEN takaamiseksi korjaukset, muut huoltotyöt ja säädöt on teetettävä Makitan valtuutetussa huoltopisteessä Makitan varaosia käyttäen.

Kunnossapito leikkuun jälkeen

Kun leikkuu on tehty, pyyhi kone kuivalla kankaalla tai saippuavedellä kostutetulla kankaalla. Puhdista ruoho ja lika teristä pehmeällä harjalla.

HUOMAUTUS: Älä koskaan käytä bensiniä, ohen-teita, alkoholia tai tms. aineita. Muutoin pinta voi halkeilla tai sen värit ja muoto voivat muuttua. Muutoin laitteeseen voi tulla värjäytymiä, muodon vääristymiä tai halkeamia.

Säilytys

1. Irrota jatkojohto.

► **Kuva29:** 1. Jatkojohto

2. Avaa takakansi ja irrota ruohosäiliö.

► **Kuva30:** 1. Takakansi 2. Ruohosäiliö

3. Löysää siipimutterit samalla, kun pidät kiinni kahvasta. Levitä sitten kahvaa hieman ulospäin ja taita kahva.

► **Kuva31:** 1. Siipimutteri 2. Kahva 3. Merkki 4. Nuoli

HUOMIO: Varo, ettei kätesi tai sormesi jää kahvan väliin sulkiessasi sitä.

HUOMAA: Varmista, että nuoli ilmaisee paikan, jossa se on mahdollisimman edessä.

4. Kiristä siipimutterit.

► **Kuva32:** 1. Siipimutteri

5. Avaa vivut ja aseta johto vivun päälle.

► **Kuva33:** 1. Vipu 2. Johto

6. Palauta vivut puoliväliasentoon kuvan mukaisesti.

► **Kuva34:** 1. Vipu

7. Taita kahva.

► **Kuva35:** 1. Kahva

8. Aseta kone paikalleen kuvan osoittamalla tavalla.

► **Kuva36**

HUOMIO: Varastoi tämä kone sisätiloihin tasaiselle alustalle. Muuten kone voi kaatua ja aiheuttaa vammoja.

Voit asettaa koneen säilytykseen myös seuraavalla tavalla.

1. Irrota jatkojohto.

► **Kuva37:** 1. Jatkojohto

2. Avaa takakansi ja irrota ruohosäiliö.

► **Kuva38:** 1. Takakansi 2. Ruohosäiliö

3. Säädä leikkuukorkeus säätövivun avulla.

ELM3320/ELM3720:

Aseta leikkuukorkeudeksi "1".

► **Kuva39:** 1. Säätövipu

ELM4120:

Aseta leikkuukorkeudeksi "2".

► **Kuva40:** 1. Säätövipu

4. Löysää siipimutterit samalla, kun pidät kiinni kahvasta. Levitä sitten kahvaa hieman ulospäin ja taita kahva.

► **Kuva41:** 1. Siipimutteri 2. Kahva 3. Merkki 4. Nuoli

⚠HUOMIO: Varo, ettei kätesi tai sormesi jää kahvan väliin sulkiessasi sitä.

HUOMAA: Varmista, että nuoli ilmaisee paikan, jossa se on mahdollisimman edessä.

5. Kiristä siipimutterit.

► **Kuva42:** 1. Siipimutteri

6. Aseta kone paikalleen kuvan osoittamalla tavalla.

► **Kuva43**

⚠HUOMIO: Varastoi tämä kone sisätiloihin tasaiselle alustalle. Muuten kone voi kaatua ja aiheuttaa vammoja.

Kahva taivutetaan myös silloin, kun kone asetetaan säilytykseen.

⚠HUOMIO: Pidä yläkahvasta kunnolla kiinni ennen salpojen avaamista. Muuten kahva voi kaataa koneen ja aiheuttaa vammoja.

1. Avaa salvat, kun pidät samalla yläkahvasta kiinni.

► **Kuva44:** 1. Vipu

2. Taita yläkahva.

► **Kuva45:** 1. Yläkahva

Ruohonleikkurin terän vaihtaminen

⚠HUOMIO: Ruohonleikkurin terän vaihtoon ei saa käyttää mitään muuta kiintoavainta kuin standardikuusioavainta. Jos käytät jotakin muuta kiintoavainta, lopputulos voi olla liian kireä tai löysä, mikä voi aiheuttaa henkilövammoja.

1. Irrota jatkojohto ja aseta kone pystyyn. (Säilytysohjeet on kuvattu erikseen.)

2. Aseta tappi reikään, pidä kahvasta kiinni toisella kädellä ja irrota sitten pultti kiintoavaimella vastapäivään kääntämällä.

► **Kuva46:** 1. Terä 2. Kiintoavain 3. Tappi

3. Irrota ruohonleikkurin terä.

Malli ELM3320

Irrota järjestyksessä pultti, aluslevy, ruohonleikkurin terä ja kiinnike.

► **Kuva47:** 1. Kiinnike 2. Ruohonleikkurin terä 3. Aluslevy 4. Pultti

ELM3720/ELM4120

Irrota järjestyksessä pultti, aluslevy, ruohonleikkurin terä, kiinnike ja välikappale.

► **Kuva48:** 1. Välikappale 2. Kiinnike 3. Ruohonleikkurin terä 4. Aluslevy 5. Pultti

4. Kiinnitä uusi ruohonleikkurin terä ja aseta sitten tappi reikään. Pidä kahvasta kiinni toisella kädellä ja kiristä pultti sitten tiukasti kiintoavaimella vastapäivään kääntämällä.

► **Kuva49:** 1. Ruohonleikkurin terä 2. Kiintoavain 3. Tappi

Jatkojohto

Käytä vain ulkokäyttöön tarkoitettuja jatkojohtoja, jotka ovat normivahvuisia PVC- tai kumihoitoja ja joiden poikkipinta-ala on enintään 1,5 mm².

Tarkista ennen käyttöä ja sen aikana, ettei virta- ja jatkojohtoissa ole vaurioita. Älä käytä laitetta, jos johto on vioittunut tai kulunut. Pidä jatkojohto loitolla leikkuuelementeistä. Jos johto vioittuu käytön aikana, irrota johto virranlähteestä heti. Älä koske johtoon, ennen kuin olet irrottanut virranlähteen.

LISÄVARUSTEET

⚠HUOMIO: Seuraavia lisävarusteita tai laitteita suositellaan käytettäväksi tässä ohjeessa kuvatun Makita-työkalun kanssa. Muiden lisävarusteiden tai laitteiden käyttö voi aiheuttaa henkilövahinkoja. Käytä lisävarusteita ja -laitteita vain niiden käyttötarkoituksen mukaisesti.

Jos tarvitset apua tai yksityiskohtaisempia tietoja seuraavista lisävarusteista, ota yhteys paikalliseen Makitan huoltoon.

• Ruohonleikkurin terä

HUOMAA: Jotkin luettelossa mainitut varusteet voivat sisältyä työkalun toimitukseen vakiovarusteina. Ne voivat vaihdella maittain.

SPECIFIKĀCIJAS

Modelis:	ELM3320	ELM3720	ELM4120	
Ātrums bez slodzes	3 400 min ⁻¹			
Griešanas augstums	20 mm – 55 mm		20 mm – 75 mm	
Griešanas platumš	330 mm	370 mm	410 mm	
Rezerves plaujmašinas asmens daļas numurs	YA00000731	YA00000732	YA00000733	
Izmēri (G × P × A)	Darbības laikā (ar zāles grozu)	G: no 1 040 mm līdz 1 230 mm P: 380 mm A: no 870 mm līdz 1 110 mm	G: no 1 140 mm līdz 1 330 mm P: 415 mm A: no 890 mm līdz 1 120 mm	G: no 1 255 mm līdz 1 470 mm P: 460 mm A: no 955 mm līdz 1 230 mm
	Glabāšanas laikā (bez zāles groza)	350 mm x 380 mm x 1 090 mm	335 mm x 415 mm x 1 090 mm	395 mm x 460 mm x 1 220 mm
Tīrsvars	10,2 kg	11,6 kg	14,5 kg	
Drošības klase	□/II			

- Nepārtrauktās izpētes un izstrādes programmas dēļ šeit uzrādītās specifikaācijas var tikt mainītas bez brīdinājuma.
- Atkarībā no valsts specifikaācijas var atšķirties.
- Svārs var atšķirties atkarībā no papildierīces(-ēm). Tabulā ir attēlota vieglākā un smāgākā kombinācija atbilstoši EPTA procedūrai 01/2014.

Simboli

Zemāk ir attēloti simboli, kas attiecas uz iekārtu. Pirms darbarīka izmantošanas pārliecinieties, vai pareizi izprotat to nozīmi.



Esiet īpaši rūpīgs un uzmanīgs. Izlasiet lietošanas rokasgrāmatu.



DIVKĀRŠĀ IZOLĀCIJA



Bīstami! Sargieties no izvīstiem priekšmetiem. Attālumam starp darbarīku un apkārtējiem jābūt vismaz 15 m.



Pirms pieskaršanās ierīces sastāvdaļām pārliecinieties, vai tās ir pilnībā apstājušās.



Elastīgo barošanas kabeli turiet atstatu no griezējasmaņiem.



Uzmanieties no asajiem asmeņiem. Asmeņi turpina griezties arī pēc motora izslēgšanas. Atvienojiet no ierīces spraudni pirms ierīces tehniskās apkopes vai, ja ir bojāts kabelis.



Ierīces troksnis nepārsniedz 96 dB.



Netuviniet ierīcei rokas un pēdas. Darbiniet plaujmašīnu tikai tad, ja aizsargi un aprīkojums atrodas pareizajās vietās.



Tikai ES valstīm
Neizmetiet elektriskās iekārtas kopā ar mājūrtības atkritumiem! Saskaņā ar Eiropas direktīvu par lietotajām elektroiekārtām un elektronikas iekārtām un tās iekļaušanu valsts likumdošanā lietotais elektriskais aprīkojums jāsavāc atsevišķi un jānogādā otrreizējai pārstrādei vidi saudzējošā veidā.

Paredzētā lietošana

Šī ierīce ir paredzēta zāles plaušanai. Neizmantojiet ierīci citiem mērķiem. Šīs ierīces izmantošana darbībām, kam ierīce nav paredzēta, var radīt bīstamas situācijas.

Barošana

Darbarīks jāpievieno tikai tādām barošanas avotam, kura spriegums atbilst uz darbarīka tehnisko datu plāksnītes norādītajam, un darbarīku var izmantot tikai ar vienfāzes maiņstrāvas barošanu. Darbarīks aprīkots ar divkārtšo izolāciju, tādēļ to var izmantot arī, pievienojot kontaktligzdei bez iezemējuma vada.

Ja barošanas kabelis ir bojāts, tas jānomaina ražotājam vai tā pārstāvim, lai izvairītos no apdraudējuma.

Darbarīks paredzēts barošanai no zemsprieguma elektrības tīkliem ar spriegumu no 220 V līdz 250 V

Pārslēdzot elektroierīces funkcijas, rodas sprieguma svārstības. Šīs ierīces darbināšana nelabvēlīgos elektrības padeves apstākļos var pasliktināt citu iekārtu darbību. Ja elektrotīkla pilnā pretestība nepārsniedz 0,425 omus (modelim ELM3720) vai 0,427 omus (modelim ELM4120), var uzskatīt, ka negatīvas ietekmes nebūs. Elektrotīkla kontaktligzdei, kurai ir pievienota šī ierīce, jābūt aizsargātai ar drošinātāju vai jaudas slēdzi ar izslēgšanās aizkavi.

Trokšņa līmenis

Attiecīgais standarts : EN60335

Modelis	Skaņas spiediena līmenis		Skaņas jaudas līmenis	
	L _{PA} (dB(A))	Nenoteiktība (K) (dB(A))	L _{PA} (dB(A))	Nenoteiktība (K) (dB(A))
ELM3320	83	3	94	2
ELM3720	83	3	94	1
ELM4120	84	3	93	2

PIEZĪME: Paziņotā trokšņa emisijas vērtība noteikta atbilstoši standarta pārbaudes metodei, un to var izmantot, lai salīdzinātu vienu darbarīku ar citu.

PIEZĪME: Paziņoto trokšņa emisijas vērtību arī var izmantot iedarbības sākotnējā novērtējumā.

▲BRĪDINĀJUMS: Lietojiet ausu aizsargus.

▲BRĪDINĀJUMS: Trokšņa emisija patiesos darba apstākļos var atšķirties no paziņotās vērtības atkarībā no darbarīka izmantošanas veida un jo īpaši atkarībā no apstrādājamā materiāla veida.

▲BRĪDINĀJUMS: Lai aizsargātu lietotāju, nosakiet drošības pasākumus, kas pamatoti ar iedarbību reālos darba apstākļos (ņemot vērā visus ekspluatācijas cikla posmus, piemēram, laiku, kamēr darbarīks ir izslēgts un kad darbojas tukšgaitā, kā arī palaišanas laiku).

Vibrācija

Vibrācijas kopējā vērtība (trīsasu vektora summa) noteikta atbilstoši EN60335:

Modelis ELM3320

Vibrācijas izmēte (a_{h1}): 2,5 m/s² vai mazāk
Mainīgums (K): 1,5 m/s²

Modelis ELM3720

Vibrācijas izmēte (a_{h1}): 2,5 m/s² vai mazāk
Mainīgums (K): 1,5 m/s²

Modelis ELM4120

Vibrācijas izmēte (a_{h1}): 2,5 m/s² vai mazāk
Mainīgums (K): 1,5 m/s²

PIEZĪME: Paziņotā kopējā vibrācijas vērtība noteikta atbilstoši standarta pārbaudes metodei, un to var izmantot, lai salīdzinātu vienu darbarīku ar citu.

PIEZĪME: Paziņoto kopējo vibrācijas vērtību arī var izmantot iedarbības sākotnējā novērtējumā.

▲BRĪDINĀJUMS: Vibrācijas emisija patiesos darba apstākļos var atšķirties no paziņotās vērtības atkarībā no darbarīka izmantošanas veida un jo īpaši atkarībā no apstrādājamā materiāla veida.

▲BRĪDINĀJUMS: Lai aizsargātu lietotāju, nosakiet drošības pasākumus, kas pamatoti ar iedarbību reālos darba apstākļos (ņemot vērā visus ekspluatācijas cikla posmus, piemēram, laiku, kamēr darbarīks ir izslēgts un kad darbojas tukšgaitā, kā arī palaišanas laiku).

EK atbilstības deklarācija

Tikai Eiropas valstīm

EK atbilstības deklarācija šajā lietošanas rokasgrāmātā ir iekļauta kā A pielikums.

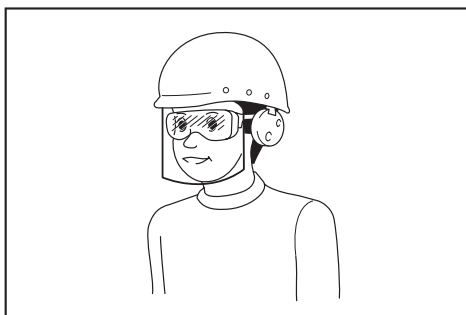
DROŠĪBAS BRĪDINĀJUMI

SVARĪGI DROŠĪBAS NOTEIKUMI

▲BRĪDINĀJUMS: Izlasiet visus drošības brīdinājumus un visus norādījumus. Brīdinājumu un norādījumu neievērošanas gadījumā var rasties elektriskās strāvas trieciens, ugunsgrēks un/vai nopietnas traumas.

Glabājiet visus brīdinājumus un norādījumus, lai varētu tajos ieskatīties turpmāk.

1. Bērni ir jāuzrauga, lai nepieļautu rotaļāšanos ar zāles pļaujmašīnu.
2. Nekad neļaujiet lietot pļaujmašīnu bērniem vai cilvēkiem, kuri nepārzina šeit sniegtos norādījumus. Ierīces lietotāja vecuma ierobežojums var būt noteikts vietējos noteikumos.
3. Nekad nestrādājiet ar zāles pļaujmašīnu, ja tuvumā ir cilvēki (it īpaši bērni) vai dzīvnieki.
4. Ņemiet vērā, ka par negadījumiem vai apdraudējumu, kas radīts citiem cilvēkiem vai to īpašumam ir atbildīgs operators vai lietotājs.
5. Strādājot ar zāles pļaujmašīnu, vienmēr valkājiet stabilus apavus un garās bikses. Nestrādājiet ar zāles pļaujmašīnu, ja jums kājās nav apavu vai valkājāt atvērtas sandales. Nevalkājiet apģērbu vai rotaslietas, kas ir vaļīgas vai kam ir auklas vai saites. Tās var ieķērties kustīgajās daļās.
6. Kad izmantojat mehāniskos darbarīkus, vienmēr valkājiet aizsargbrilles, lai pasargātu acis. Aizsargbrillēm jāatbilst šādiem standartiem: ANSI Z87.1 ASV, EN 166 Eiropā un AS/NZS 1336 Austrālijā/Jaunzēlandē. Austrālijā/Jaunzēlandē ar likumu noteikts, ka darba laikā jāizmanto arī sejsargs.



Darba devējam ir jānodrošina tas, lai darbarīka operatori un citas tiešajā darba vietā esošās personas izmantotu vajadzīgo aizsargaprīkojumu.

7. Pirms plaujmašīnas lietošanas pārbaudiet, vai barošanas avots un barošanas kabelis nav bojāti vai nolietoties. Ja kabelis tiek sabojāts plaujmašīnas lietošanas laikā, nekavējoties atvienojiet kabeli no barošanas avota. Nepieskarities kabelim pirms tā atvienošanas no barošanas avota. Nolietojiet plaujmašīnu, ja kabelis ir bojāts vai nolietojies.
8. Strādājiet ar plaujmašīnu tikai dienas gaismā vai labā mākslīgajā apgaismojumā.
9. Nedarbiniet plaujmašīnu slapjā zālē.
10. Nekad nedarbiniet plaujmašīnu lietū.
11. Rokuri vienmēr satveriet stingri.
12. Strādājot nogāzē, nodrošiniet stabilitāti kāju atbalstu.
13. Pārvietojieties staigājot, nekad neskrīniet.
14. Paceļot vai turot plaujmašīnu, nesatveriet to aiz griezējāsmeņiem vai griezējšķautnēm.
15. Fiziskais stāvoklis – nedarbiniet plaujmašīnu, ja esat narkotiku, alkohola vai zāļu ietekmē.
16. Netuviniet rokas un pēdas rotējošiem asmeņiem. Uzmanību – asmeņi pēc plaujmašīnas izslēgšanas turpina kustēties pēc inerces.
17. Izmantojiet tikai šajā rokasgrāmatā norādītos ražotāja oriģinālos asmeņus.
18. Pirms darba veikšanas rūpīgi pārbaudiet, vai asmeņiem nav plaisu vai bojājumu. Ieplaisājušus vai bojātus asmeņus nekavējoties nomainiet.
19. Pirms plaušanas pārbaudiet, vai darba zonā nav citu cilvēku. Ja kāds ienāk darba zonā, apturiet plaujmašīnu.
20. Pirms plaušanas atīrīet darba zonu no svešķermeņiem, piemēram, akmeņiem, stieplēm, pudelēm, kauliem un lieliem zariem, lai nepieļautu ievainojumus vai plaujmašīnas bojājumus.
21. Ja novērojāt ko neparastu, nekavējoties pārtrauciet darbu. Izslēdziet plaujmašīnu un atvienojiet barošanas kabeli no barošanas avota. Pēc tam pārbaudiet plaujmašīnu.
22. Nekad nemēģiniet regulēt plaujmašīnas riteņu augstumu, kamēr plaujmašīna darbojas.
23. Pirms piebraucamo ceļu, taku, ceļu un ar granti klātu vietu šķērsošanas atlaidiet slēdža sviru. Atvienojiet barošanas kabeli no barošanas avota arī tad, ja atstājat plaujmašīnu bez uzraudzības, sniedzaties kaut ko pacelt vai novākt, kā arī citu apstākļu gadījumā, kas neļauj pilnībā koncentrēties veicamajam darbam.
24. Plaujmašīnas asmens aizķertie priekšmeti var radīt cilvēkiem smagus ievainojumus. Pirms plaušanas vienmēr rūpīgi pārbaudiet zālienu un novāciet visus priekšmetus.
25. Ja plaujmašīna atsitas pret kādu priekšmetu, veiciet šīs darbības:
 - apturiet plaujmašīnu, atlaidiet slēdža sviru un pagaidiet, kamēr asmens pilnībā apstājas;
 - atvienojiet barošanas kabeli no barošanas avota;
 - rūpīgi pārbaudiet, vai plaujmašīnai nav bojājumu;
 - nomainiet asmeni, ja tas ir bojāts. Salabojiet bojājumu pirms plaujmašīnas atkārtotas iedarbināšanas un turpmākas ekspluatācijas.
26. Regulāri pārbaudiet, vai zāles grozs nav nodilis vai nolietojies. Uzglabājot ierīci, pārliecinieties, vai zāles grozs ir tukšs. Lai garantētu drošību, nodilušu zāles grozu nomainiet pret jaunu rūpnīcas rezerves grozu.
27. Esiet īpaši uzmanīgi, apgriežot plaujmašīnu vai velkot to pret sevi.
28. Apturiet asmeni(-tus), ja plaujmašīna ir jāsasver, lai pārvietotu plaujmašīnu, šķērsojot segu, kas nav zāle, kā arī pārvietojot plaujmašīnu uz plaušanas vietu un no tās.
29. Nekad nedarbiniet plaujmašīnu ar bojātiem aizsargiem vai vairogiem, vai ja nav uzstādītas drošības ierīces, piemēram, novirzītāji un/vai zāles grozs.
30. Plaujmašīnu iedarbiniet piesardzīgi saskaņā ar norādījumiem un nestāviet asmens(-tu) tuvumā.
31. Iedarbinot motoru, nesasveriet plaujmašīnu, ja vien tas nav jādara, lai tā sāktu darboties. Šādā gadījumā sasveriet to ne vairāk, kā nepieciešams, un paceliet tikai to daļu, kas nav lietotāja tuvumā. Pirms ierīces novietošanas atpakaļ uz zemes vienmēr pārliecinieties, vai abas rokas atrodas darba pozīcijā.
32. Neiedarbiniet plaujmašīnu, ja stāvat izvades atvēruma tuvumā.
33. Nelieciet plaukstas vai pēdas rotējošo detaļu tuvumā vai zem tām. Nekad nestāviet izvades atvēruma tuvumā.
34. Netransportējiet plaujmašīnu, ja tā ir ieslēgta.
35. Apstādiniet plaujmašīnu un izvelciet spraudni no kontaktligzdas. Pārbaudiet, vai visas kustīgās daļas ir pilnībā apstājušās:
 - ja atstājat plaujmašīnu bez uzraudzības;
 - pirms nosprostojumu tīrīšanas vai izlaides teknes tīrīšanas;
 - pirms plaujmašīnas pārbaudes, tīrīšanas vai citu darbu veikšanas;
 - pēc atsišanās pret kādu priekšmetu.Pārbaudiet, vai plaujmašīnai nav bojājumu un pirms plaujmašīnas atkārtotas iedarbināšanas un lietošanas veiciet remontu.
36. Ja plaujmašīna sākt neparasti vibrēt (nekavējoties pārbaudiet):
 - pārbaudiet, vai nav bojājumu;
 - nomainiet vai salabojiet bojātas daļas;
 - pārbaudiet, vai nav vaļīgu daļu un, ja ir, pievelciet.

37. Esiet uzmanīgi, regulējot plaujmašīnu, lai nepieļautu pirkstu iesprūšanu starp plaujmašīnas kustīgajiem asmeņiem un fiksētajām daļām.
38. Plaujiet slīpi pāri nogāzei – nekad nepļaujiet uz augšu vai uz leju. Mainot virzienu nogāzēs, esiet īpaši uzmanīgi. Nepļaujiet pārāk stāvas nogāzes.
39. Nemazgājiet plaujmašīnu ar šļūteni; neļaujiet ūdenim iekļūt motorā un elektriskajos savienojumos.
40. Bieži pārbaudiet, vai asmens piestiprināšanas skrūve ir cieši pieskrūvēta.
41. Vienmēr cieši pieskrūvējiet visus uzgriežņus, bultskrūves un skrūves, lai garantētu drošu ierīces lietošanu.
42. Uzmaniēties, jo viens rotējošs asmens var izraisīt citu asmeņu rotāciju.
43. Pirms plaujmašīnas novietošanas glabāšanā ļaujiet tai atdzist.
44. Veicot asmeņu apkopi, ņemiet vērā, ka, lai gan barošanas avots ir izslēgts, asmeņus joprojām var kustināt.
45. Drošības nolūkā nomainiet nodilušas vai bojātas daļas. Izmantojiet tikai oriģinālās rezerves daļas un piederumus.
46. Uzticiet sava elektriskā darbarīka apkopi kvalificētam remonta speciālistam, kurš izmanto tikai identiskas rezerves daļas. Tādējādi tiks uzturēta elektriskā darbarīka drošība.
47. Ievērojiet eļļošanas un piederumu nomainīšanas norādījumus.
48. Uzturiet rokturus sausus, tīrus, bez eļļas un smērvielas.
49. Pārbaudiet, lai pārliecinātos, ka elektroapgādes spriegums un frekvence atbilst uz datu plāksnītes norādītajai tehniskajai specifikācijai. Mēs iesakām izmantot uz diferenciālo strāvu reaģējošu automātslēdzi (zemesslēguma ķēžu pārtraucēju) ar 30 mA vai mazāku atslēgšanās strāvu vai noplūdes strāvas aizsargierīci.
50. **Šo ierīci drīkst izmantot bērni no 8 gadu vecuma un personas ar samazinātām fiziskām, uztveres vai psihiskām spējām, vai kam trūkst pieredzes un zināšanu, ja ir nodrošināta uzraudzība un sniegti norādījumi par ierīces drošu izmantošanu un ja ir izprasti saistītie apdraudējumi. Ierīces tīrīšanu un apkopi nedrīkst veikt bērni bez uzraudzības.**

Paliekšanās strāvas risks

Traumu un bojājumu risks pastāv arī tad, ja izmantojat šo ierīci atbilstīgi visām drošības prasībām. Tālāk minētās bīstamās situācijas ir iespējamās ierīces uzbūves un konstrukcijas dēļ.

1. Veselības problēmas, ko izraisa ierīces radītās vibrācijas, ja ierīce tiek izmantota ilgstoši, tiek izmantota nepareizi vai tā netiek pareizi apkopta.
2. Traumas un īpašuma bojājumi, kas rodas, ja tiek izmantoti bojāti apkopes darbarīki vai ja ierīce darba laikā negaidot saņem triecienu no iepriekš nepamanītiem objektiem.
3. Traumu un īpašuma bojājumu risks, kas rodas no lidojošiem priekšmetiem.

▲BRĪDINĀJUMS: Darba laikā šī ierīce rada elektromagnētisko lauku. Noteiktos apstākļos šis lauks var aktīvi vai pasīvi ietekmēt medicīnas implantu darbību. Lai mazinātu smagu vai nāvējošu traumu rašanos, mēs iesakām personām ar medicīniskiem implantātiem pirms ierīces izmantošanas konsultēties ar ārstu un implantātu ražotāju.

SAGLABĀJIET ŠOS NORĀDĪJUMUS.

▲BRĪDINĀJUMS: NEPIEĻAUJIET to, ka labu iemaņu vai izstrādājuma labas pārzināšanas (darbarīku atkārtoti ekspluatējot) rezultātā vairs stingri neievērojāt šī izstrādājuma drošības noteikumus.

NEPAREIZI LIETOJOT darbarīku vai neievērojot šajā instrukciju rokasgrāmatā minētos drošības noteikumus, var tikt gūtas smagas traumas.

MONTĀŽA

▲UZMANĪBU: Vienmēr pārliecinieties, ka darbarīks ir izslēgts un atvienots no barošanas, pirms veicat jebkādas darbības ar darbarīku.

Roktura montāža

1. No ierīces galvenā agregāta izņemiet augšējo rokturi.
▶ **Att.1:** 1. Augšējais rokturis
2. Atskrūvējiet spārnuzgriežņus.
▶ **Att.2:** 1. Spārnuzgrieznis
3. Izbīdīti nedaudz uz āru rokturi, pēc tam paceliet rokturi.
▶ **Att.3:** 1. Rokturis
4. Regulējiet roktura augstumu, savietojot bultiņu ar atzīmi.
▶ **Att.4:** 1. Spārnuzgrieznis 2. Atzīme 3. Bultiņa
5. Pievelciet spārnuzgriežņus.
▶ **Att.5:** 1. Spārnuzgrieznis
6. Piestipriniet augšējo rokturi, no roktura ārpusē ievietojot sviras, un tad pievelciet uzgriežņus ar uzgriežņu atslēgu, lai rokturi nostiprinātu.
▶ **Att.6:** 1. Svira 2. Uzgrieznis
7. Nostipriniet kabelus ar skavām, kā parādīts attēlā.
▶ **Att.7:** 1. Skava

Zāles groza uzstādīšana

1. Piestipriniet zāles groza caurules pie rāmja.
▶ **Att.8:** 1. Caurule 2. Rāmis
2. Atveriet aizmugurējo pārsegu.
▶ **Att.9:** 1. Aizmugurējais pārsegs
3. Uzkariniet zāles grozu iekārtas aizmugurē.
▶ **Att.10**

Lai zāles grozu noņemtu, izpildiet uzstādīšanas darbības pretējā secībā.

Pagarinātāja kabeļa pievienošana

▲BRĪDINĀJUMS: Pievienojot pagarinātāja kabeli ierīces elektrības spraudnim, pārliecinieties, vai pārslēdzēja svira ir atlaista un kabelis ir atvienots no barošanas avota.

▲BRĪDINĀJUMS: Nepievienojiet vai neatvienojiet pagarinātāja kabeli ar mitrām rokām.

IEVĒRĪBAI: Pievienojot pagarinātāja kabeli ierīces elektrības spraudnim, obligāti iespraudiet to kontaktligzdā līdz galam.

Pievienojot pagarinātāja kabeli, uzkariniet to uz roktura āķa, kā parādīts attēlā, lai pagarinātāja kabelis nejauši neatvienotos, ja spraudnis tiek pārāk spēcīgi vilkts.

► **Att.11:** 1. Āķis 2. Pagarinātāja kabelis

FUNKCIJU APRAKSTS

Plaušanas augstuma regulēšana

▲BRĪDINĀJUMS: Pirms plaušanas augstuma regulēšanas atvienojiet pagarinātāja kabeli no barošanas avota un pārbaudiet, vai asmeņi ir pilnībā apstājušies.

▲BRĪDINĀJUMS: Nenovietojiet rokas vai kājas zem plaušmašīnas, kad regulējat plaušanas augstumu.

Plaušanas augstumu var regulēt diapazonā no 20 mm līdz 55 mm (ELM3320/ELM3720modelim) vai 20 mm līdz 75 mm (ELM4120modelim). Plaušanas augstumu var regulēt 3 līmeņos (ELM3320/ELM3720modelim) vai 7 līmeņos (ELM4120modelim).

ELM3320/ELM3720modelim

► **Att.12:** 1. Regulēšanas svira

ELM4120modelim

► **Att.13:** 1. Regulēšanas svira

Ar vienu roku turiet rokturi un ar otru roku kustiniet regulēšanas sviru.

► **Att.14:** 1. Regulēšanas svira

PIEZĪME: Veiciet zāles pārbaudes plaušanu mazāk redzamā vietā, lai noregulētu nepieciešamo augstumu.

Slēdža darbība

▲BRĪDINĀJUMS: Pirms darbarīka pievienošanas barošanas avotam vienmēr pārbaudiet, vai slēdža svira darbojas pareizi un pēc atlaišanas atgriežas pozīcijā „OFF” (Izslēgts).

▲BRĪDINĀJUMS: Jūsu drošībai šī ierīce ir aprīkota ar atbloķēšanas pogu, kas neļauj darbarīku nejauši iedarbināt. Nekad nelietojiet šo ierīci, ja tā ieslēdzas, pavelkot slēdža sviru un nospiežot atbloķēšanas pogu. Dodieties uz vietējo Makita apkopes centru, lai veiktu remontu.

▲BRĪDINĀJUMS: Bloķēšanas funkciju nekādā gadījumā nedrīkst atspējot; nedrīkst ar līmlenti pielīmēt atbloķēšanas pogu nospiešā pozīcijā.

IEVĒRĪBAI: Nevelciet slēdža sviru ar spēku, nospiežot atbloķēšanas pogu. Slēdzis var salūzt.

Lai iedarbinātu ierīci, piespiediet atbloķēšanas pogu un nospiediet slēdža sviru. Lai ierīci apturētu, atlaidiet slēdža sviru.

► **Att.15:** 1. Slēdža svira 2. Atbloķēšanas poga

Zāles groza līmeņa rādītājs

Zāles groza līmeņa rādītājs atveras plaušanas laikā, ja zāles grozs nav pilns. Ja zāles grozs ir pilns, līmeņa rādītājs plaušanas laikā aizveras. Ja grozs ir pilns, pirms plaušanas iztukšojiet zāles grozu.

► **Att.16:** 1. Līmeņa rādītājs

► **Att.17:** 1. Līmeņa rādītājs

Rokturu augstuma regulēšana

Rokturu augstumu var regulēt trīs līmeņos. Turot rokturi, atskrūvējiet spārnuzgriežņus, koriģējiet roktura augstumu, savietojot bultiņu ar kādu no atzīmēm, un tad pievelciet spārnuzgriežņus.

► **Att.18:** 1. Spārnuzgriežnis 2. Atzīme 3. Bultiņa

Motora aizsardzības sistēma (pārstrāvas relejs)

▲BRĪDINĀJUMS: Ja ierīce tās darbības laikā pēkšņi apstājas, atlaidiet slēdža sviru un atvienojiet pagarinātāja kabeli. Citādi ierīce var pēkšņi atkal iedarboties un izraisīt traumu.

▲UZMANĪBU: Lai izņemtu plaušmašīnas asmeņim traucējošo priekšmetu, obligāti uzvelciet cimdus un atvienojiet pagarinātāja kabeli no strāvas kontaktligzdas.

Ja galvenajā korpusā iesprūst nopļautā zāle vai netfūrumi, ierīce izslēdzas automātiski, lai aizsargātu motoru (pārstrāvas relejs). Šādā gadījumā atvienojiet pagarinātāja kabeli no strāvas kontaktligzdas, izņemiet iesprūdušo materiālu un tad ļaujiet ierīcei pirms ieslēgšanas dažas minūtes atdzist.

PIEZĪME: Pārstrāvas relejs var tikt aktivizēts, kad galvenajā korpusā iesprūst mitra vai gara zāle.

EKSPLUATĀCIJA

Plaušana

▲BRĪDINĀJUMS: Pirms plaušanas no plaušanas vietas aizvēciet žaģarus un akmeņus. Plaušanas vietu attīriet arī no nezālēm.

► **Att.19**

▲BRĪDINĀJUMS: Lietojot plaujmašīnu, vienmēr valkājiet aizsargbrilles vai brilles ar sānu aizsargiem.

▲UZMANĪBU: Ja nopļautā zāle vai svešķermeņu nobloķē plāvēju no iekšpuses, obligāti izslēdziet to un atvienojiet pagarinātāja kabeli no strāvas kontaktligzdas. Pirms zāles vai svešķermeņu izņemšanas obligāti uzvelciet cimdus.

▲UZMANĪBU: Lietojot ierīci, noteikti uzstādiēt zāles grozu.

IEVĒRĪBAI: Lietojiet šo ierīci tikai zāles plaušanai. Nepļaujiet ar šo ierīci nezāles.

Pļaujot cieši ar abām rokām turiet zāles plaujmašīnas rokturi.

► **Att.20**

Pļaušanas standarta ātrums ir aptuveni viens metrs četrās sekundēs.

► **Att.21**

Sāciet pļaušanu strāvas kontaktligzdas tuvumā, lai pārlielinātos, vai pagarinātāja kabelis nekļūst par traucēkli.

► **Att.22:** 1. Strāvas kontaktligzda 2. Pagarinātāja kabelis

Nepļaujiet pagarinātāja kabelim nokļūt zem ierīces vai sapīties zem tās.

► **Att.23**

► **Att.24**

Līnijas, kas atrodas ierīces galvenā korpusa abās pusēs, ir pļaušanas platuma norādes. Izmantojot līnijas kā norādes, pļaujiet joslās. Lai zālienu nopļautu līdzeni, pļaušanas joslai par vienu pusi vai trešdaļu jāpārklājas ar iepriekšējo joslu.

► **Att.25:** 1. Pļaušanas platums 2. Pārklāšanās zona 3. Līnija

Pļaušanas virzienu katru reizi mainiet, lai zāles plāvuma raksts neveidotos tikai vienā virzienā.

► **Att.26**

Periodiski pārbaudiet nopļauto zāli zāles grozā. Iztukšojiet zāles grozu, pirms tas ir pilns. Pirms katras periodiskās pārbaudes obligāti izslēdziet ierīci.

PIEZĪME: Izmantojot plaujmašīnu ar pilnu zāles grozu, asmeņi nevarēs brīvi griezties un motoram radīsies papildu slodze, kas var izraisīt bojājumus.

Pļaujot zālienu ar garu zāli

Nemēģiniet uzreiz nopļaut garu zāli. Tā vietā pļaujiet zālienu pakāpeniski. Starp pļaušanas reizēm uzgaidiet vienu vai divas dienas, līdz zāle visur ir vienādi īsa.

► **Att.27**

PIEZĪME: Ja garu zāli vienā reizē nopļauj pavisam īsu, tā var iznīkt. Nopļautā zāle var iesprūst plaujmašīnas korpusā.

Malu pļaušana

Veicot pļaušanu pie malām, noteikti pārvietojiet ierīci gar malu.

► **Att.28**

TEHNISKĀ APKOPE

▲BRĪDINĀJUMS: Pirms tehniskās apkopes veikšanas atvienojiet pagarinātāja kabeli no barošanas avota un pārbaudiet, vai asmeņi ir pilnībā apstājušies.

▲UZMANĪBU: Veicot tehnisko apkopi, vienmēr valkājiet cimdus.

Lai saglabātu izstrādājuma DROŠU un UZTICAMU darbību, remontdarbus, apkopi un regulēšanu uzticiet veikt tikai Makita pilnvarotam vai rūpnīcas apkopes centram, un vienmēr izmantojiet tikai Makita rezerves daļas.

Tehniskā apkope pēc pļaušanas

Pēc pļaušanas noslaukiet ierīci ar sausu lupatu vai ziepjūdeni samērcētu lupatu. Ar mīkstu suku noslaukiet no asmeņiem zāles atgriezumus un netīrumus.

IEVĒRĪBAI: Nekad neizmantojiet gazoļīnu, benzīnu, atšķaidītāju, spirtu vai līdzīgus šķidrums. Tas var radīt izbalēšanu, deformāciju vai plaisas.

Glabāšana

1. Atvienojiet pagarinātāja kabeli.

► **Att.29:** 1. Pagarinātāja kabelis

2. Atveriet aizmugurējo pārsegu un izņemiet zāles grozu.

► **Att.30:** 1. Aizmugurējais pārsegs 2. Zāles grozs

3. Turot rokturi, atskrūvējiet ar roku skrūvējamās uzgriežņus, nedaudz papļietiet roktura ārmaslas un pēc tam nolokiet rokturi.

► **Att.31:** 1. Spārnuzgrieznis 2. Rokturis 3. Atzīme 4. Bultiņa

▲UZMANĪBU: Nolokot rokturi, uzmanieties, lai neiespiestu plaukstu vai pirkstus.

PIEZĪME: Pārliedcinieties, ka bultiņa norāda uz atzīmi priekšējā galējā pozīcijā.

4. Pievelciet spārnuzgriežņus.

► **Att.32:** 1. Spārnuzgrieznis

5. Atveriet sviras un pārlieciet kabeli pāri svirai.

► **Att.33:** 1. Svira 2. Kabelis

6. Atgrieziet sviras pusceļa stāvoklī, kā parādīts attēlā.

► **Att.34:** 1. Svira

7. Nolokiet rokturi.

► **Att.35:** 1. Rokturis

8. Novietojiet ierīci, kā parādīts attēlā.

► **Att.36**

▲UZMANĪBU: Glabājiet šo ierīci iekšējā un uz līdzenas virsmas. Citādi ierīce var apgāzties un izraisīt traumu.

Ierīci var arī novietot glabāšanai arī tā, kā aprakstīts tālāk.

1. Atvienojiet pagarinātāja kabeli.
▶ **Att.37:** 1. Pagarinātāja kabelis
2. Atveriet aizmugurējo pārsegu un izņemiet zāles grozu.
▶ **Att.38:** 1. Aizmugurējais pārsegs 2. Zāles grozs
3. Ar regulēšanas sviru noregulējiet pļaušanas augstumu.

ELM3320/ELM3720modelim:

iestatiet pļaušanas augstumu uz „1”.

- ▶ **Att.39:** 1. Regulēšanas svira

ELM4120modelim:

iestatiet pļaušanas augstumu uz „2”.

- ▶ **Att.40:** 1. Regulēšanas svira

4. Turot rokturi, atskrūvējiet ar roku skrūvējamās uzgriežņus, nedaudz papļietiet roktura ārmaslas un pēc tam nolokiet rokturi.
▶ **Att.41:** 1. Spārnuzgrieznis 2. Rokturis 3. Atzīme 4. Bultiņa

⚠UZMANĪBU: Nolikot rokturi, uzmanieties, lai neiespiestu plaukstu vai pirkstus.

PIEZĪME: Pārliecinieties, ka bultiņa norāda uz atzīmi priekšējā galējā pozīcijā.

5. Pievelciet spārnuzgriežņus.
▶ **Att.42:** 1. Spārnuzgrieznis
6. Novietojiet ierīci, kā parādīts attēlā.
▶ **Att.43**

⚠UZMANĪBU: Glabājiet šo ierīci iekštelpā un uz līdzenas virsmas. Citādi ierīce var apgāzties un izraisīt traumu.

Ierīci var arī novietot glabāšanai ar nolocītu rokturi.

⚠UZMANĪBU: Pirms sviru atvēršanas stingri satveriet augšējo rokturi. Citādi rokturis var nokrist un izraisīt traumu.

1. Atveriet sviras, turot augšējo rokturi.
▶ **Att.44:** 1. Svira
2. Nolikiet augšējo rokturi.
▶ **Att.45:** 1. Augšējais rokturis

Pļaujmašīnas asmens nomaiņa

⚠UZMANĪBU: Veicot pļaujmašīnas asmens nomaiņu, izmantojiet tikai standarta sešstūru uzgriežņu atslēgu. Izmantojot cita veida uzgriežņu atslēgu, asmeni var pievilkt pārāk stingri vai nepietiekami cieši, un tas var radīt ievainojumus.

1. Atvienojiet pagarinātāja kabeli un novietojiet ierīci stāvus. (Skatiet ierīces glabāšanas instrukcijas.)
2. Ievietojiet tapu caurumā, pieturiet rokturi ar vienu roku un atskrūvējiet bultskrūvi, griežot to ar uzgriežņu atslēgu pretēji pulksteņrādītāju kustības virzienam.
▶ **Att.46:** 1. Asmens 2. Uzgriežņu atslēga 3. Tapā

3. Noņemiet pļaujmašīnas asmeni.

Modelim ELM3320

Noņemiet bultskrūvi, starpliku, pļaujmašīnas asmeni un paliktni – ievērojiet šo secību.

- ▶ **Att.47:** 1. Paliktnis 2. Pļaujmašīnas asmens 3. Starplika 4. Bultskrūve

Modelim ELM3720/ELM4120

Noņemiet bultskrūvi, starpliku, pļaujmašīnas asmeni, paliktni un starpliku – ievērojiet šo secību.

- ▶ **Att.48:** 1. Starplika 2. Paliktnis 3. Pļaujmašīnas asmens 4. Starplika 5. Bultskrūve

4. Piestipriniet jaunu pļaujmašīnas asmeni, ievietojiet tapu caurumā, pieturiet rokturi ar vienu roku un tad ar uzgriežņu atslēgu cieši pievelciet bultskrūvi, griežot to pulksteņrādītāju kustības virzienā.

- ▶ **Att.49:** 1. Pļaujmašīnas asmens 2. Uzgriežņu atslēga 3. Tapā

Pagarinātāja kabelis

Izmantojiet tikai āra darbiem paredzētus pagarinātāja kabelus, parastai izmantošanai paredzētus kabelus ar PVC vai gumijas izolāciju ar šķērsgriezuma laukumu vismaz 1,5 mm².

Pirms ierīces darbināšanas un tās darbināšanas laikā pārbaudiet, vai barošanas kabelis un pagarinātāja kabelis nav bojāti. Nelietojiet ierīci, ja kabelis ir bojāts vai nolietojies. Nepieļaujiet, lai pagarinājuma kabelis nonāktu griezējelementu tuvumā. Ja kabelis tiek sabojāts pļaujmašīnas lietošanas laikā, nekavējoties atvienojiet kabeli no barošanas avota. Nepieskarieties kabelim pirms tā atvienošanas no barošanas avota.

PAPILDU PIEDERUMI

⚠UZMANĪBU: Šādi piederumi un papildierīces tiek ieteiktas lietošanai ar šajā rokasgrāmatā aprakstīto Makita darbarīku. Izmantojot citus piederumus vai papildierīces, var tikt radīta traumu gūšanas bīstamība. Piederumu vai papildierīci izmantojiet tikai paredzētajam mērķim.

Ja jums vajadzīga palīdzība vai precīzāka informācija par šiem piederumiem, vērsieties savā tuvākajā Makita apkopes centrā.

- Pļaujmašīnas asmens

PIEZĪME: Daži sarakstā norādītie izstrādājumi var būt iekļauti instrumenta komplektācijā kā standarta piederumi. Tie dažādās valstīs var būt atšķirīgi.

SPECIFIKACIJOS

Modelis:		ELM3320	ELM3720	ELM4120
Be apkrovos		3 400 min ⁻¹		
Pjovimo aukštis		20 – 55 mm		20 – 75 mm
Pjovimo plotis		330 mm	370 mm	410 mm
Pakaitinio vejjaprovės peilio dalies numeris		YA00000731	YA00000732	YA00000733
Matmenys (l x P x A)	Darbo metu (su žolės surinkimo krepšiu)	L: Nuo 1 040 mm iki 1 230 mm W: 380 mm H: 870 - 1 110 mm	L: Nuo 1 140 mm iki 1 330 mm W: 415 mm H: 890 - 1 120 mm	L: Nuo 1 255 mm iki 1 470 mm W: 460 mm H: 955 - 1 230 mm
	Laikant (be žolės surinkimo krepšio)	350 mm x 380 mm x 1 090 mm	335 mm x 415 mm x 1 090 mm	395 mm x 460 mm x 1 220 mm
Grynasis svoris		10,2 kg	11,6 kg	14,5 kg
Saugos klasė		II/III		

- Atliktame tęsiniuose tyrimuose ir nuolatos tobuliname savo gaminius, todėl čia pateikiamos specifikacijos gali būti keičiamos be įspėjimo.
- Skirtingose šalyse specifikacijos gali skirtis.
- Svoris gali priklausyti nuo priedo (-ų). Lengviausias ir sunkiausias deriniai pagal EPTA 2014 m. sausio mėn. procedūrą yra nurodyti lentelėje.

Simboliai

Toliau yra nurodyti įrangai naudojami simboliai. Prieš naudodami įsitikinkite, ar suprantate jų reikšmę.



Būkite itin atsargūs ir dėmesingi.
Perskaitykite instrukcijų vadovą.



DVIGUBA IZOLIACIJA



Pavojus; saugokitės skriejančių objektų.
Tarp įrankio ir šalia esančių žmonių turi būti bent 15 m atstumas.



Prieš liesdami įrenginio sudedamąsias dalis, palaukite, kol jos visos sustos.



Lankstųjį maitinimo laidą laikykite atokiau nuo pjovimo peilio.



Saugokitės aštrių peilių. Išjungus variklį, peiliai dar kurį laiką sukasi. Prieš atlikdami priežiūros darbus arba jei pažeistas laidas, atjunkite kištuką nuo įrenginio.



Įrenginio skleidžiamas triukšmas yra ne didesnis kaip 96 dB.



Atokiau laikykite rankas ir pėdas.
Nenaudokite vejjaprovės, kol apsauginiai įtaisai ir priedai nėra pritvirtinti tinkamose vietose.



Tik ES šalims

Neišmeskite elektrinės įrangos kartu su buitėmis šiukšlėmis! Pagal ES direktyvą dėl naudotos elektros ir elektroninės įrangos ir jos įdiegimo pagal nacionalinius įstatymus, naudotą elektros įrangą būtina surinkti atskirai ir nugabenti antrinių žaliavų perdirbimui aplinkai nekenksmingu būdu.

Numatytoji naudojimo paskirtis

Įrenginys skirtas tik vejai pjauti. Įrenginio nenaudokite jokiai kitai paskirčiai. Jei įrenginys naudojamas atlikti darbus, kuriems jis nėra skirtas, gali susidaryti pavojinga situacija.

Elektros energijos tiekimas

Įrenginiui turi būti tiekiamas tokios įtamos elektros energija, kaip nurodyta duomenų lentelėje; įrenginys veikia tik su vienfaze kintamąja srove. Jie yra dvigubai izoliuoti, todėl gali būti naudojami prijungus prie elektros lizdo be žemėjimo laido.

Jei maitinimo laidas pažeistas, kad nekiltų pavojus, jį turi pakeisti gamintojas arba jo techninės priežiūros atstovas.

Viešosioms žemos įtamos skirstymo sistemoms (nuo 220 iki 250 V)

Perjungiant elektrinio įrenginio operacijas įtampa gali svyruoti. Šio įrenginio naudojimas nepalankiomis elektros tinklo sąlygomis gali daryti įtaką kitos įrangos darbui. Kai pilnutinė įėjimo varža yra lygi ar mažesnė negu 0,425 om. (skirta ELM3720) arba 0,427 om. (skirta ELM4120), galima manyti, kad nebus jokio neigiamo poveikio. Šiam įrankiui naudojamas elektros tinklo lizdas turi būti apsaugotas saugikliu arba apsauginiu grandinės nutraukikliu, pasižyminčiu lėto suveikimo charakteristika.

Triukšmas

Taikomas standartas : EN60335

Modelis	Garso slėgio lygis		Garso galios lygis	
	L _{PA} (dB(A))	Paklaida K (dB(A))	L _{PA} (dB(A))	Paklaida K (dB(A))
ELM3320	83	3	94	2
ELM3720	83	3	94	1
ELM4120	84	3	93	2

PASTABA: Paskelbta (-os) triukšmo reikšmė (-ės) nustatyta (-os) pagal standartinį testavimo metodą ir jį galima naudoti vienam įrankiui palyginti su kitu.

PASTABA: Paskelbta (-os) triukšmo reikšmė (-ės) taip pat gali būti naudojama (-os) norint preliminariai įvertinti triukšmo poveikį.

⚠️ ĮSPĖJIMAS: Dėvėkite ausų apsaugą.

⚠️ ĮSPĖJIMAS: Faktiškai naudojant elektrinį įrankį, keliamo triukšmo dydis gali skirtis nuo paskelbtos (-ų) reikšmės (-ių), priklausomai nuo būdų, kuriais yra naudojamas šis įrankis, ir ypač nuo to, kokio tipo ruošinys apdirbamas.

⚠️ ĮSPĖJIMAS: Siekdami apsaugoti operatorių, būtinai įvertinkite saugos priemones, remdamiesi vibracijos poveikio įvertinimu esant faktinėms naudojimo sąlygoms (atsižvelgdami į visas darbo ciklo dalis, pavyzdžiui, ne tik kiek laiko įrankis veikia, bet ir kiek kartų jis yra išjungiamas bei kai jis veikia be apkrovų).

Vibracija

Vibracijos bendroji vertė (trიაšio vektoriaus suma) nustatyta pagal EN60335 standartą:

Modelis ELM3320

Vibracijos emisija (a_h): 2,5 m/s² arba mažiau
Paklaida (K): 1,5 m/s²

Modelis ELM3720

Vibracijos emisija (a_h): 2,5 m/s² arba mažiau
Paklaida (K): 1,5 m/s²

Modelis ELM4120

Vibracijos emisija (a_h): 2,5 m/s² arba mažiau
Paklaida (K): 1,5 m/s²

PASTABA: Paskelbta (-os) vibracijos bendroji (-osios) reikšmė (-ės) nustatyta (-os) pagal standartinį testavimo metodą ir jį galima naudoti vienam įrankiui palyginti su kitu.

PASTABA: Paskelbta (-os) vibracijos bendroji (-osios) reikšmė (-ės) taip pat gali būti naudojama (-os) norint preliminariai įvertinti vibracijos poveikį.

⚠️ ĮSPĖJIMAS: Faktiškai naudojant elektrinį įrankį, keliamos vibracijos dydis gali skirtis nuo paskelbtos (-ų) reikšmės (-ių), priklausomai nuo būdų, kuriais yra naudojamas šis įrankis, ir ypač nuo to, kokio tipo ruošinys apdirbamas.

⚠️ ĮSPĖJIMAS: Siekdami apsaugoti operatorių, būtinai įvertinkite saugos priemones, remdamiesi vibracijos poveikio įvertinimu esant faktinėms naudojimo sąlygoms (atsižvelgdami į visas darbo ciklo dalis, pavyzdžiui, ne tik kiek laiko įrankis veikia, bet ir kiek kartų jis yra išjungiamas bei kai jis veikia be apkrovų).

EB atitikties deklaracija

Tik Europos šalims

EB atitikties deklaracija yra pridedama kaip šio instrukcijos vadovo A priedas.

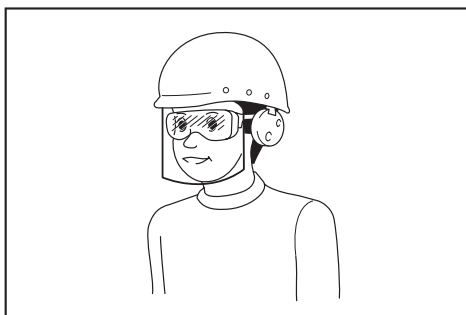
SAUGOS ĮSPĖJIMAI

SVARBIOS SAUGOS INSTRUKCIJOS

⚠️ ĮSPĖJIMAS: Perskaitykite visus saugos įspėjimus ir visą instrukciją. Nesilaikydami toliau pateiktų įspėjimų ir instrukcijų galite patirti elektros smūgį, gaisrą ir (arba) sunkų sužeidimą.

Išsaugokite visus įspėjimus ir instrukcijas, kad galėtumėte jas peržiūrėti ateityje.

1. Būtina prižiūrėti vaikus, kad jie nežaistų su veļapjove.
2. Niekuomet neleiskite šios veļapjovės naudoti vaikams arba su šia instrukcija nesusipažinusiems žmonėms. Operatoriaus amžius gali būti nurodytas reglamentuojamas vietinių įstatymų.
3. Niekuomet nenaudokite veļapjovės, jei netoliese yra žmonių, ypač vaikų ar naminių gyvūnų.
4. Prisiminkite, kad operatorius yra atsakingas už nelaimingus atsitikimus ar nelaimes, atsitikusias kitiems žmonėms arba jų turtui padarytą žalą.
5. Naudodami veļapjovę, visuomet avėkite tvirtą avalynę ir mūvėkite ilgus kelnes. Niekuomet nedirbkite su veļapjove, jeigu esate basi arba avite atvirus sandalus. Nedėvėkite laisvų drabužių ir kabančių papuošalų, nesurištų virvelių arba kaklaraiščių. Jūs gali įtraukti judamos dalys.
6. Visada naudojami elektrinius įrankius užsidėkite apsauginius akinius, kad apsaugotumėte savo akis nuo sužalojimų. Akiniai turi atitikti ANSI Z87.1 reikalavimus JAV, EN 166 reikalavimus Europoje arba AS/NZS 1336 reikalavimus Australijoje / Naujojoje Zelandijoje. Australijoje / Naujojoje Zelandijoje taip pat teisiškai privaloma naudoti veido skydelį.



Darbdavys privalo užtikrinti, kad įrankio operatoriai ir kiti šalia jo darbo vietos esantys asmenys naudotų tinkamas apsaugos priemones.

7. Prieš naudojimą patikrinkite, ar nėra maitinimo laidų pažeidimo arba nusidėvėjimo požymių. Jei naudojimo metu būtų pažeistas laidas, jį nedelsdami atjunkite nuo maitinimo tinklo. Kol laido neatjungėte nuo maitinimo tinklo, jo nelieskite. Jei laidas pažeistas arba nusidėvėjęs, vejąpjavovės nenaudokite.
8. Vejąpjavovę naudokite tik dienos metu arba esant geram dirbtiniam apšvietimui.
9. Nepjaukite vejąpjavovę šlapios žolės.
10. Niekuomet nenaudokite vejąpjavovės lyjant.
11. Visada tvirtai laikykite rankeną.
12. Dirbdami nuokalnėse, visada tvirtai stovėkite ant žemės.
13. Vaikščiokite, o ne bėgiokite.
14. Paimdami arba laikydami vejąpjavovę, neimkite už atvirų pjovimo peilių arba pjovimo briaunų.
15. Fizinės sąlygos – nenaudokite vejąpjavovės, jeigu esate apsvaigę nuo alkoholio, narkotikų arba kokių nors vaistų.
16. Laikykite pėdas ir rankas atokiai nuo besisukančių peilių. Perspėjimas – išjungus vejąpjavovę, peiliai sukasi.
17. Naudokite tik šioje instrukcijoje nurodytus originalius peilius.
18. Prieš naudodami patikrinkite peilius, ar nėra įtrūkimų ar pažeidimų. Nedelsdami pakeiskite įtrūkusius arba pažeistus peilius.
19. Prieš pradėdami pjauti žolę, įsitikinkite, kad toje vietoje nėra kitų žmonių. Išjunkite vejąpjavovę, jeigu į darbo vietą kas nors ateina.
20. Prieš pradėdami pjauti žolę, surinkite nuo vejos pašalinius daiktus, pavyzdžiui, akmenis, laidus, butelius, kaulus ir dideles šakas, kad nesusižeistumėte ir nesugadintumėte vejąpjavovės.
21. Pastebėję ką nors neįprasto, tučiuojau nutraukite darbą. Išjunkite vejąpjavovę ir atjunkite maitinimo laidą nuo maitinimo tinklo. Tada apžiūrėkite vejąpjavovę.
22. Niekada nebandykite reguliuoti ratukų aukščio vejąpjavovėi veikiant.
23. Prieš kirsdami kelius, takus, vieškelius ir bet kokias žvyrų padengtas vietas, atleiskite svirtinį jungiklį ir palaukite, kol peiliai nebesisuks. Taip pat atjunkite maitinimo laidą nuo maitinimo tinklo, jeigu vejąpjavovę paliekate be priežiūros, siekiate kažką pakelti arba patraukti iš kelio, arba dėl bet kokios kitos priežasties, kuri gali atitraukti jus nuo atliekamo darbo.

24. Vejąpjavovės peilio užkliudyti objektai gali sukelti sunkių sužeidimų. Prieš kiekvieną vejos pjovimą, veją visada reikia atidžiai apžiūrėti ir surinkti nuo jos visus daiktus.
25. Vejąpjavovėi užkliudžius pašalinį objektą, atlikite šiuos veiksmus.
 - Išjunkite vejąpjavovę, atleiskite svirtinį jungiklį ir palaukite, kol peilis visiškai sustos.
 - Atjunkite maitinimo laidą nuo maitinimo tinklo.
 - Apžiūrėkite vejąpjavovę, ar ji neapgadinta.
 - Pakeiskite peilį, jeigu jis kaip nors apgadintas. Suremontuokite bet kokius gedimus, prieš paleisdami ir toliau naudodami vejąpjavovę.
26. Dažnai tikrinkite, ar žolės surinkimo krepšys nesusiđvėjęs ar nesugedęs. Prieš pastaitydami įrenginį, būtinai ištuštinkite žolės surinkimo krepšį. Norėdami užtikrinti saugą, nusidėvėjęs žolės surinkimo krepšį pakeiskite nauju originaliu pakaitiniu krepšiu.
27. Būkite itin atsargūs, važiuodami atbuline eiga arba traukdami įrenginį savęs link.
28. Sustabdykite peilį (-ius), jeigu vejąpjavovę reikia paversti, kad ją galima būtų perkelti per žolę neapaugusius paviršius, ir gabendami įrenginį iš tos vietos ir į tą vietą, kurioje jis bus naudojamas.
29. Niekada nenaudokite vejąpjavovės su pažeistais apsauginiais įtaisais arba gaubtais, taip pat be tinkamai sumontuotų saugos įtaisų, pavyzdžiui, kreiptuvų ir (arba) žolės surinkimo krepšio.
30. Atsargiai paleiskite vejąpjavovės variklį, kaip nurodyta instrukcijoje; pėdos turi būti pakankamu atstumu nuo peilio (-ių).
31. Nepakreipkite vejąpjavovės, kai paleidžiate variklį, išskyrus tą atvejį, jeigu vejąpjavovę reikia pakreipti norint ją paleisti. Tokiu atveju pakreipkite ją tik tiek, kiek tai visiškai būtina, ir kelkite tik tą dalį, kuri yra atokiai nuo operatoriaus. Prieš nuleisdami prietaisą ant žemės, visada pasirūpinkite, kad abi rankos būtų darbinėje padėtyje.
32. Nepaleiskite vejąpjavovės variklio, stovėdami priešais išmetimo angą.
33. Nekiškite rankų ar kojų artyn prie besisukančių dalių arba po jomis. Visada stovėkite atokiai nuo išmetimo angos.
34. Negabentite vejąpjavovės, kai ji veikia.
35. Sustabdykite vejąpjavovę ir išjunkite kištuką iš lizdo. Įsitikinkite, kad visos judamosios dalys visiškai sustojo:
 - kai paliekate vejąpjavovę be priežiūros;
 - prieš pradėdami valyti užsikimšimus arba prieš atkimšdami išmetimo lataką;
 - prieš tikrindami, valydami arba dirbdami su vejąpjavovę;
 - užkliudę pašalinį objektą. Prieš įjungdami vejąpjavovę ir vėl pradėdami dirbti, apžiūrėkite ją, ar nėra gedimų, ir juos pašalinkite;
36. Jeigu vejąpjavovę pradeda neįprastai vibruoti (patikrinkite nedelsdami):
 - patikrinkite, ar nėra gedimo;
 - pakeiskite arba pataisykite bet kokias sugadintas dalis;

– patikrinkite ir priveržkite bet kokias atsilaisvinusias dalis.

37. Reguliuodami vejpajovę būkite atsargūs, kad pirštų neįtrauktų judantys peiliai ir nejudamosios vejpajovės dalys.
38. Pjaukite žolę, važiuodami nuokalnėmis aukštyrį ir žemyn, o ne skersai. Keisdami kryptis nuokalnėse, būkite itin atsargūs. Nepjaukite žolės pernelyg stačiose nuokalnėse.
39. Neplaukite įrenginio vandens žarna; stenkitės, kad į variklį ir ant elektrinių jungčių nepakliūtų vandens.
40. Dažnai tikrinkite, ar tinkamai priveržti peilių montavimo varžtai.
41. Visos varžlės, varžtai ir sraigčiai turi būti tvirtai prisukti, kad būtų užtikrintos saugios įrenginio darbo sąlygos.
42. Būkite atsargūs, kadangi dėl vieno besisukančio peilio gali pradėti sukintis kiti peiliai.
43. Prieš pastatydami vejpajovę į saugojimo vietą, palaukite, kol ji visiškai atvės.
44. Prieš pradėdami peilių techninės priežiūros darbus, nepamirškite, kad nors maitinimo šaltinis yra išjungtas, peiliai vis tiek gali sukintis.
45. Saugumo sumetimais pakeiskite nusidėvėjusias arba sugadintas dalis. Prireikus priedų arba atsarginių dalių, naudokite tik originalias dalis.
46. Tegų jūsų elektrinio įrankio techninę priežiūrą atlieka kvalifikuotas remonto meistras, naudodamas tik identiškas atsargines dalis. Tai užtikrina, kad elektrinis įrankis liks saugus naudoti.
47. Laikykitės instrukcijoje pateiktų nurodymų dėl tepimo ir priedų keitimo.
48. Rankenos turi būti sausos, švarios ir neištepotos tepalu.
49. Įsitikinkite, kad maitinimo šaltinio įtampa ir dažnis atitinka technines sąlygas, nurodytas identifikacijos plokštelėje. Rekomenduojame naudoti maitinimo šaltinį, apsaugotą nuotekio rele su atjungimo srove 30 mA ir mažesne arba apsauga nuo srovės nutekėjimo į žemę.
50. Šį įrenginį leidžiama naudoti vaikams nuo 8 metų amžiaus ir asmenims, turintiems psichinių, jutiminių ar protinių negalių, arba žmonėms, neturintiems patirties bei žinių, su sąlyga, kad jie bus prižiūrimi arba instruktuojami apie tai, kaip saugiai naudoti šį įrenginį, ir supras atitinkamus pavojus. Be suaugusiųjų priežiūros vaikams draudžiama valyti ir techniškai prižiūrėti šį prietaisą.

Liekamasis pavojus

Net jei šį gaminį naudojate pagal visus saugos reikalavimus, išlieka sužalojimo ir žalos pavojus. Dėl šio gaminio konstrukcijos ir dizaino gali kilti šie pavojai.

1. Žala sveikatai dėl vibracijos, jei gaminyje naudojamas ilgą laiką arba nėra tinkamai valdomas ir prižiūrimas.
2. Sužalojimai ir žala turtui dėl sulūžusių darbo įrankių arba staigaus paslėptų objektų smūgio naudojimo metu.
3. Sužalojimo ir žalos turtui pavojus dėl skrendančių objektų.

⚠️ ĮSPĖJIMAS: Naudojamas gaminyje skleidžia elektromagnetinį lauką. Kai kuriomis aplinkybėmis šis laukas gali sąveikauti su aktyviais arba pasyviais mediciniais implantais. Norint sumažinti sunkaus arba mirtino sužalojimo pavojų, rekomenduojama, kad, prieš naudodami šį gaminį, medicininius implantus turintys asmenys pasikonsultuotų su gydytoju ir implanto gamintoju.

SAUGOKITE ŠIAS INSTRUKCIJAS.

⚠️ ĮSPĖJIMAS: NELEISKITE, kad patogumas ir gaminio pažinimas (įgyjamas pakartotinai naudojant) susilpnintų griežtą saugos taisyklių, taikytinų šiam gaminiui, laikymąsi.

Dėl NETINKAMO NAUDOJIMO arba saugos taisyklių, kurios pateiktos šioje instrukcijoje, nesilaikymo galima rimtai susižeisti.

SURINKIMAS

⚠️ PERSPĖJIMAS: Prieš ką nors darydami su įrankiu, visada patikrinkite, ar jis išjungtas, o laido kištukas ištrauktas iš elektros lizdo.

Rankenos surinkimas

1. Išimkite viršutinę rankeną iš įrenginio pagrindinio bloko.
▶ **Pav.1:** 1. Viršutinė rankena
2. Atsukite varžtus su rankenėle.
▶ **Pav.2:** 1. Varžtas su rankenėle
3. Šiek tiek praplalinkite rankenos išorinę pusę, tada rankeną pakelkite.
▶ **Pav.3:** 1. Rankena
4. Rankenos aukštį reguliuokite sulygiuodami rodyklę su ženklu.
▶ **Pav.4:** 1. Varžtas su rankenėle 2. Ženklas 3. Rodyklė
5. Užveržkite varžtus su rankenėle.
▶ **Pav.5:** 1. Varžtas su rankenėle
6. Įkišdami svirtelės rankenos išorėje, pritvirtinkite viršutinę rankeną, rankenai fiksuoti veržliarakčių priveržkite varžlės.
▶ **Pav.6:** 1. Svirtelė 2. Veržlė
7. Laidus fiksukite veržtuvais, kaip pavaizduota paveikslėlyje.
▶ **Pav.7:** 1. Veržtuvas

Žolės surinkimo krepšio montavimas

1. Pritvirtinkite žolės surinkimo krepšio vamzdžius prie rėmo.
▶ **Pav.8:** 1. Vamzdis 2. Rėmas
2. Atidarykite galinį dangtelį.
▶ **Pav.9:** 1. Galinis dangtelis
3. Užkabinkite žolės surinkimo krepšį įrenginio užpakalyje.
▶ **Pav.10**

Išimdami žolės surinkimo krepšį, atlikite tuos pačius veiksmus atvirkštine tvarka.

Ilginamojo laido prijungimas

⚠️ JSPĖJIMAS: Jungdami ilginamąjį laidą prie įrenginio maitinimo kištuko, įsitikinkite, kad atleistas svirtinis jungiklis, o laidas atjungtas nuo maitinimo tinklo.

⚠️ JSPĖJIMAS: Nejunkite ar neatjunkite ilginamojo laido drėgnomis rankomis.

PASTABA: Jungdami ilginamąjį laidą prie įrenginio maitinimo kištuko, jį visiškai įkiškite į lizdą.

Jungdami ilginamąjį laidą, užkabinkite jį ant rankenos esančio kablo, kaip parodyta paveiksle, kad jis netyčia nebūtų atjungtas dėl pernelyg įtempto kištuko.

► **Pav.11:** 1. Kablys 2. Ilginamasis laidas

VEIKIMO APRAŠYMAS

Žolės pjovimo aukščio reguliavimas

⚠️ JSPĖJIMAS: Prieš reguliuodami žolės pjovimo aukštį, atjunkite ilginamąjį laidą nuo maitinimo tinklo, tada patikrinkite, ar peiliai visiškai sustojo.

⚠️ JSPĖJIMAS: Reguliuodami žolės pjovimo aukštį, niekada neikiškite rankų ar kojų po veļapjovės korpusu.

Pjovimo aukštį galite nustatyti 20 mm – 55 mm (ELM3320 / ELM3720) arba 20 – 75 mm (ELM4120) diapazone. Pjovimo aukštį galima nustatyti į 3 (ELM3320 / ELM3720) arba 7 lygius (ELM4120).

Skirta ELM3320 / ELM3720

► **Pav.12:** 1. Reguliavimo svirtelė

Skirta ELM4120

► **Pav.13:** 1. Reguliavimo svirtelė

Viena ranka laikykite rankeną, o kita ranka stumkite reguliavimo svirtelę.

► **Pav.14:** 1. Reguliavimo svirtelė

PASTABA: Pradžioje pabandykite pjauti žolę mažiau pastebimoje vietoje, kad nustatytumėte pageidaujamą aukštį.

Jungiklio veikimas

⚠️ JSPĖJIMAS: Prieš prijungdami įrenginį visada patikrinkite, ar svirtinis jungiklis gerai įsijungia, o atleistas grįžta į padėtį „OFF“ (išjungta).

⚠️ JSPĖJIMAS: Jūsų pačių saugumui šiame įrenginyje įrengtas atlaisvinimo mygtukas, kuris neleidžia netyčia įjungti įrankio. Niekada nenaudokite įrenginio, jei jis įsijungia nuspaudus svirtinį jungiklį, tačiau nenuspaudus atlaisvinimo mygtuko. Dėl remonto kreipkitės į vietinį „Makita“ techninės priežiūros centrą.

⚠️ JSPĖJIMAS: Niekada neišjunkite užfiksavimo funkcijos ir neužklijuokite lipnia juostele atlaisvinimo mygtuko.

PASTABA: Netraukite svirtinio jungiklio per jėgą, nenuspaudę atlaisvinimo mygtuko. Jungiklis gali nulūžti.

Norėdami įjungti įrenginį, spauskite atlaisvinimo mygtuką, tada nuspauskite svirtinį jungiklį. Įrenginiui sustabdyti atleiskite svirtinį jungiklį.

► **Pav.15:** 1. Svirtinis jungiklis 2. Atlaisvinimo mygtukas

Žolės surinkimo krepšio lygio indikatorius

Jei žolės surinkimo krepšys nėra pilnas, pjaunant jo lygio indikatorius atsidaro. Kai žolės surinkimo krepšys pilnas, pjaunant žolę lygio indikatorius užsidaro. Jei žolės surinkimo krepšys pilnas, prieš pradėdami pjauti žolę, jį ištuštinkite.

► **Pav.16:** 1. Lygio indikatorius

► **Pav.17:** 1. Lygio indikatorius

Rankenos aukščio reguliavimas

Rankenos aukštį galima nustatyti į tris lygius. Laikydami už rankenos, atlaisvinkite varžtus su rankenėle, tada sulygiuodami rodykle su vienu iš ženklų nustatykite rankenos aukštį ir užveržkite varžtus su rankenėle.

► **Pav.18:** 1. Varžtas su rankenėle 2. Ženklas 3. Rodyklė

Variklio apsaugos sistema (viršsrovio relė)

⚠️ JSPĖJIMAS: Jei naudojant įrenginį jis staiga sustoja, atleiskite svirtinį jungiklį ir atjunkite ilginamąjį laidą. Priešingu atveju įrenginys gali staiga būti paleistas iš naujo ir sužaloti.

⚠️ PERSPĖJIMAS: Prieš pašalindami peilį užstrigdžiusį daiktą būtinai užsimaukite pirštines ir atjunkite ilginamąjį laidą nuo maitinimo lizdo.

Jei nupjauta žolė arba nešvarumai užstrigo pagrindiniam korpusui, įrenginys sustabdomas automatiškai varikliui apsaugoti (viršsrovio relė). Tokiu atveju atjunkite ilginamąjį laidą nuo maitinimo lizdo, pašalinkite strigtį sukėlusį daiktą ir palaukite kelias minutes, kol įrenginys atvės, tada jį galite įjungti.

PASTABA: Viršsrovio relė gali suveikti, kai į pagrindinį korpusą patenka drėgnos arba ilgos žolės.

NAUDOJIMAS

Žolės pjovimas

⚠️ JSPĖJIMAS: Prieš pradėdami pjauti žolę, surinkite nuo vejos šakas ir akmenis. Prieš pradėdami pjauti žolę, taip pat išraukite visas piktžoles.

► **Pav.19**

▲JSPĖJIMAS: Naudodami vejamovę, visada dėvėkite apsauginius akinius arba apsauginius akinius su šoniniais apsauginiais skydais.

▲PERSPĖJIMAS: Jei vejamovės korpūsą užkimo nupjauta žolė arba pašalinės medžiagos, išjunkite maitinimą ir atjunkite ilginamąjį laidą nuo maitinimo lizdo. Žolę ar pašalinės medžiagas šalinkite užsimovę pirštines.

▲PERSPĖJIMAS: Kai naudojate įrenginį, būtinai uždėkite žolės surinkimo krepšį.

PASTABA: Įrenginį naudokite tik vejai pjauti. Šiuo įrenginiu nepjaukite piktžolių.

Pjaudami žolę, tvirtai abiem rankomis laikykite rankeną.
▶ **Pav.20**

Pjovimo greičio orientyras yra maždaug vienas metras per keturias sekundes.
▶ **Pav.21**

Pradėkite pjauti žolę netoli maitinimo lizdo, kad įsitikintumėte, jog ilginamasis laidas netaps kliūtimi.
▶ **Pav.22:** 1. Maitinimo lizdas 2. Ilginamasis laidas

Nelaiskite ilginamajam laidui patekti po įrenginiu arba už jo susipainioti.
▶ **Pav.23**

▶ **Pav.24**

Abiejose pagrindinio korpuso pusėse esančios linijos yra pjovimo pločio orientyrai. Vadovaudamiesi linijomis kaip orientyrais, pjaukite juostomis. Norėdami tolygiai nupjauti veją, pjaudami naują juostą, perdenkite nuo pusės iki trečdaliao ankstesnės juostos.

▶ **Pav.25:** 1. Pjovimo plotis 2. Persidengianti sritis 3. Linija

Kaskart pakeiskite pjovimo kryptį, kad vejos pjovimo raštas nesusiformuotų tik viena kryptimi.
▶ **Pav.26**

Reguliariai tikrinkite nupjautos žolės surinkimo krepšį. Ištuštinkite krepšį, kol jis dar nėra pilnas. Prieš kiekvieną reguliarių patikrinimą būtinai išjunkite įrenginį.

PASTABA: Naudojant vejamovę su pilnu žolės surinkimo krepšiu, peiliai negali tolygiai sukstis, o varikliui tenka papildoma apkrova, todėl jis gali sugesti.

Aukštos žolės pjovimas

Nebandykite nupjauti aukštos žolės per vieną kartą. Vietoj to pjaukite žolę etapais. Tarp pjovimų darykite vienos arba dviejų dienų pertraukas, kol žolė bus tolygiai trumpai nupjauta.
▶ **Pav.27**

PASTABA: Nupjovus ilgą žolę iki trumpo ilgio per vieną kartą, ji gali nuvysti. Nupjauta žolė taip pat gali susikaupti vejamovės korpuse.

Krašto pjovimas

Pjaudami kraštą, įrenginį stumkite palei jį.
▶ **Pav.28**

TECHNINĖ PRIEŽIŪRA

▲JSPĖJIMAS: Prieš atlikdami techninės priežiūros darbus, atjunkite ilginamąjį laidą nuo maitinimo tinklo, tada patikrinkite, ar peiliai visiškai sustoję.

▲PERSPĖJIMAS: Atlikdami techninę priežiūrą visada mėvėkite pirštines.

Kad gaminys būtų SAUGUS ir PATIKIMAS, jį taisyti, apžiūrėti ar vykdyti bet kokią kitą priežiūrą ar derinimą turi įgaliotasis kompanijos „Makita“ techninės priežiūros centras; reikia naudoti tik kompanijos „Makita“ pagamintas atsargines dalis.

Techninė priežiūra po pjovimo

Baigę pjauti, nuvalykite įrenginį sausu arba miltuotame vandenyje sudrėkintu skudurėliu. Be to, minkštu šepetėliu pašalinkite žolės nuopjovas ir nešvarumus nuo peilių.

PASTABA: Niekada nenaudokite gazolino, benzino, tirpklės, spirito arba panašių medžiagų. Gali atsirasti išblukimų, deformacijų arba įtrūkimų.

Laikymas

1. Atjunkite ilginamąjį laidą.
▶ **Pav.29:** 1. Ilginamasis laidas
2. Atidarykite galinį dangtelį ir išimkite žolės surinkimo krepšį.
▶ **Pav.30:** 1. Galinis dangtelis 2. Žolės surinkimo krepšys
3. Laikydami už rankenos, atlaisvinkite varžtus su rankenėle, tada šiek tiek išplėskite ir nulenkite rankeną.
▶ **Pav.31:** 1. Varžtas su rankenėle 2. Rankena 3. Ženklas 4. Rodyklė

▲PERSPĖJIMAS: Lenkdami rankeną būkite atsargūs, kad neprisispaustumėte rankos arba pirštų.

PASTABA: Įsitikinkite, kad rodyklė rodo į ženklą pačioje priekinėje padėtyje.

4. Užveržkite varžtus su rankenėle.
▶ **Pav.32:** 1. Varžtas su rankenėle
5. Atidarykite svirtes ir uždėkite laidą ant svirtelės.
▶ **Pav.33:** 1. Svirtelė 2. Laidas
6. Sugražinkite svirtes į pusinę padėtį, kaip parodyta paveikslėlyje.
▶ **Pav.34:** 1. Svirtelė
7. Nulenkite rankeną.
▶ **Pav.35:** 1. Rankena
8. Įrenginį pastatykite, kaip parodyta paveiksle.
▶ **Pav.36**

▲PERSPĖJIMAS: Laikykite įrenginį būtinai patalpoje ir ant lygaus paviršiaus. Priešingu atveju įrenginys gali nukristi ir sužaloti.

Be to, įrenginį galite pastatyti saugoti taip.

1. Atjunkite ilginamąjį laidą.
▶ **Pav.37:** 1. Ilginamasis laidas
2. Atidarykite galinį dangtelį ir išimkite žolės surinkimo krepšį.
▶ **Pav.38:** 1. Galinis dangtelis 2. Žolės surinkimo krepšys
3. Reguliavimo svirtelę nustatykite pjovimo aukštį.

Skirta ELM3320 / ELM3720:

Pjovimo aukštį nustatykite ties „1“.
▶ **Pav.39:** 1. Reguliavimo svirtelė

Skirta ELM4120:

Pjovimo aukštį nustatykite ties „2“.
▶ **Pav.40:** 1. Reguliavimo svirtelė

4. Laikydami už rankenos, atlaisvinkite varžtus su rankenėle, tada šiek tiek išplėskite ir nulenkite rankeną.
▶ **Pav.41:** 1. Varžtas su rankenėle 2. Rankena 3. Ženklas 4. Rodyklė

▲PERSPĖJIMAS: Lenkdami rankeną būkite atsargūs, kad neprisispaustumėte rankos arba pirštų.

PASTABA: Įsitikinkite, kad rodyklė rodo į ženklą pačioje priekinėje padėtyje.

5. Užveržkite varžtus su rankenėle.
▶ **Pav.42:** 1. Varžtas su rankenėle
6. Įrenginį pastatykite, kaip parodyta paveiksle.
▶ **Pav.43**

▲PERSPĖJIMAS: Laikykite įrenginį būtinai patalpoje ir ant lygaus paviršiaus. Priešingu atveju įrenginys gali nukristi ir sužaloti.

Be to, įrenginį galite pastatyti saugoti nulenkdami rankeną.

▲PERSPĖJIMAS: Prieš atidarydami svirtelės, tvirtai suimkite už viršutinės rankenos. Priešingu atveju rankena gali nukristi ir sužaloti.

1. Laikydami už viršutinės rankenos atidarykite svirtelės.
▶ **Pav.44:** 1. Svirtelė
2. Nulenkite viršutinę rankeną.
▶ **Pav.45:** 1. Viršutinė rankena

Vejapjovės peilio keitimas

▲PERSPĖJIMAS: Keisdami vejapjovės peilį naudokite tik standartinį šešiakampį veržliaraktį. Naudojant kitokį veržliaraktį galima perveržti arba nepakankamai priveržti, tai gali lemti sužalojimus.

1. Atjunkite ilginamąjį laidą ir pastatykite įrenginį. (Žr. instrukcijas dėl laikymo.)

2. Įkiškite kaištį į angą, tada viena ranka laikykite už rankenos ir sukdami veržliaraktį prieš laikrodžio rodyklę atlaisvinkite varžtą.

▶ **Pav.46:** 1. Peilis 2. Veržliaraktis 3. Kaištis

3. Nuimkite vejapjovės peilį.

Skirta ELM3320

Eilės tvarka nuimkite varžtą, poveržlę, vejapjovės peilį ir rėmą.

▶ **Pav.47:** 1. Rėmas 2. Vejapjovės peilis 3. Poveržlė 4. Varžtas

Skirta ELM3720 / ELM4120

Eilės tvarka nuimkite varžtą, poveržlę, vejapjovės peilį, rėmą ir skyriklį.

▶ **Pav.48:** 1. Skyriklis 2. Rėmas 3. Vejapjovės peilis 4. Poveržlė 5. Varžtas

4. Pritvirtinkite naują vejapjovės peilį, tada įkiškite kaištį į angą, viena ranka laikykite už rankenos ir sukdami pagal laikrodžio rodyklę veržliaraktį tvirtai užveržkite varžtą.

▶ **Pav.49:** 1. Vejapjovės peilis 2. Veržliaraktis 3. Kaištis

Ilginamasis laidas

Naudokite tik lauke skirtus naudoti ilginamuosius laidus, PVC arba guminį laidą įprastiems darbams, kai skerspjūvio plotas ne mažesnis kaip 1,5 mm². Prieš naudojimą ir jo metu tikrinkite maitinimo ir ilginamuosius laidus, ar nėra pažeisti. Jei laidas pažeistas arba nusidėvėjęs, prietaiso nenaudokite. Ilginamąjį laidą laikykite atokiau nuo pjovimo elementų. Jei naudojimo metu pažeidžiamas laidas, jį nedelsdami atjunkite nuo maitinimo tinklo. Kol laido neatjungėte nuo maitinimo tinklo, jo nelieskite.

PASIRENKAMI PRIEDAI

▲PERSPĖJIMAS: Šiuos papildomus priedus arba įtaisus rekomenduojama naudoti su šioje instrukcijoje nurodytu „Makita“ bendrovės įrankiu. Naudojant bet kokius kitus papildomus priedus arba įtaisus, gali kilti pavojus sužeisti žmones. Naudokite tik nurodytam tikslui skirtus papildomus priedus arba įtaisus.

Jeigu norite daugiau sužinoti apie tuos priedus, kreipkitės į artimiausią „Makita“ techninės priežiūros centrą.

- Vejapjovės peilis

PASTABA: Kai kurie sąrašė esantys priedai gali būti pateikti įrankio pakuotėje kaip standartiniai priedai. Jie įvairiose šalyse gali skirtis.

TEHNILISED ANDMED

Mudel:	ELM3320	ELM3720	ELM4120	
Koormuseta kiirus	3 400 min ⁻¹			
Lõikekõrgus	20 mm – 55 mm		20 mm – 75 mm	
Lõikelaius	330 mm	370 mm	410 mm	
Vahetatava niiduki tera osa number	YA00000731	YA00000732	YA00000733	
Mõõtmed (P × L × K)	Kasutamise ajal (murukoguriga)	P: 1 040 mm kuni 1 230 mm L: 380 mm K: 870 mm kuni 1 110 mm	P: 1 140 mm kuni 1 330 mm L: 415 mm K: 890 mm kuni 1 120 mm	P: 1 255 mm kuni 1 470 mm L: 460 mm K: 955 mm kuni 1 230 mm
	Hoiundatult (ilma murukogurita)	350 mm × 380 mm × 1 090 mm	335 mm × 415 mm × 1 090 mm	395 mm × 460 mm × 1 220 mm
Netokaal	10,2 kg	11,6 kg	14,5 kg	
Ohutusklass	□/II			

- Meie pideva uuringu- ja arendusprogrammi tõttu võidakse tehnilisi andmeid muuta ilma sellest ette teatamata.
- Tehnilised andmed võivad riigiti erineda.
- Kaal võib erineda olenevalt lisaseadis(t)est. Kergeim ja raskeim kombinatsioon EPTA-protseduuri 01/2014 kohaselt on toodud tabelis.

Sümbolid

Alljärgnevat kirjeldatakse seadmetel kasutatavaid tingimärke. Veenduge, et olete nende tähendusest aru saanud enne seadme kasutamist.



Olge äärmiselt ettevaatlik ja tähelepanelik. Lugege juhendit.



TOPELTISOLATSIOON



Ohtlik; pidage silmas õhkupaiskuvaid objekte. Seadme ja kõrvalseisjate vaheline vahekaugus peab olema vähemalt 15 m.



Enne masinaosade puudutamist oodake, kuni need on täielikult peatunud.



Hoidke toitejuhet lõiketeradest eemal.



Olge teravate lõiketerade suhtes väga ettevaatlik! Terad jätkavad pöörlemist ka pärast mootori väljalülitamist. Enne hooldustööde tegemist või kui juhtmed on kahjustatud, eemaldage pistik seadme küljest.



Masina müra ei ületa 96 dB.



Hoidke käed ja jalad eemal! Ärge kasutage niidukit, kui kaitse- ja lisaseadmed pole korralikult ühendatud.



Ainult EL-i riikidele
Ärge pange kasutusest kõrvaldatud elektriseadmeid tavaliste olmejäätmete hulka! Vastavalt Euroopa Parlamendi ja Nõukogu direktiivile elektri- ja elektroonikaseadmete jäätmete kohta ning direktiivi nõuete kohaldamisele liikmesriikides tuleb kasutuskoõlbmatuks muutunud elektriseadmed koguda eraldi ja keskkonnasäästlikult ringlusse võtta.

Kavandatud kasutus

Masin on ette nähtud muru niitmiseks. Ärge kasutage masinat ühelgi muul otstarbel. Masina kasutamine muul otstarbel kui ettenähtud kasutuseks võib tekitada ohtliku olukorra.

Vooluvarustus

Seadet võib ühendada ainult andmesililil näidatud pingega vooluvõrku ning seda saab kasutada ainult ühefaasilisel vahelduvvoolutoitel. Seadmel on kahekordne isolatsioon ning seega võib seda kasutada ka ilma maandusjuhtmeta pistikupespa ühendatult. Õnnetuste vältimiseks tohib kahjustatud elektrijuhtme välja vahetada ainult tootja või tema volitatud esindaja.

220 V – 250 V avalikele madalpinge jaotusvõrkudele

Elektriseadmete lülitustoimingud põhjustavad pingekoikumisi. Kui seade töötab ebasobivas vooluvõrgus, võivad sellel olla kahjustavad mõjud teiste seadmete tööle. Kui toitevõrgu impedants on võrdne või alla 0,425 oomi (ELM3720 puhul) või 0,427 oomi (ELM4120 puhul), võib eeldada, et negatiivset mõju ei ole. Selle seadmega kasutatav toitepesa peab olema varustatud sulavkaitsme või aeglaselt rakenduva kaitselülitiga.

Müra

Kohaldatav standard : EN60335

Mudel	Helirõhutase		Helivõimsuse tase	
	L _{PA} (dB(A))	Kõikumine K (dB(A))	L _{PA} (dB(A))	Kõikumine K (dB(A))
ELM3320	83	3	94	2
ELM3720	83	3	94	1
ELM4120	84	3	93	2

MÄRKUS: Deklareeritud müra väärtust (väärtuseid) on mõõdetud kooskõlas standardse katsemeetodiga ning seda võib kasutada ühe seadme võrdlemiseks teisega.

MÄRKUS: Deklareeritud müra väärtust (väärtuseid) võib kasutada ka mürataseme esmaseks hindamiseks.

⚠ HOIATUS: Kasutage kõrvakaitsmeid.

⚠ HOIATUS: Mürataseme võib elektritööriista tegelikkuses kasutamise ajal erineda deklareeritud väärtust(t) est olenevalt tööriista kasutusviisidest ja eriti töödeldavast toorikust.

⚠ HOIATUS: Rakendage operaatori kaitsmiseks kindlasti piisavaid ohutusabinõusid, mis põhinevad hinnangulisel müratasemel tegelikus tööolukorras (võttes arvesse tööperioodi kõiki osasid, näiteks korrad, kui seade lülitatakse välja ja seade töötab tühikäigul, lisaks tööajale).

Vibratsioon

Vibratsiooni koguväärtus (kolmeteljeliste vektorite summa) määratud standardi EN60335 kohaselt:

Mudel ELM3320

Vibratsiooniindeksi (a_h): 2,5 m/s² või vähem
Määramatus (K): 1,5 m/s²

Mudel ELM3720

Vibratsiooniindeksi (a_h): 2,5 m/s² või vähem
Määramatus (K): 1,5 m/s²

Mudel ELM4120

Vibratsiooniindeksi (a_h): 2,5 m/s² või vähem
Määramatus (K): 1,5 m/s²

MÄRKUS: Deklareeritud vibratsiooni koguväärtust (-väärtuseid) on mõõdetud kooskõlas standardse katsemeetodiga ning seda võib kasutada ühe seadme võrdlemiseks teisega.

MÄRKUS: Deklareeritud vibratsiooni koguväärtust (-väärtuseid) võib kasutada ka mürataseme esmaseks hindamiseks.

⚠ HOIATUS: Vibratsioonitase võib elektritööriista tegelikkuses kasutamise ajal erineda deklareeritud väärtust(t)est olenevalt tööriista kasutusviisidest ja eriti töödeldavast toorikust.

⚠ HOIATUS: Rakendage operaatori kaitsmiseks kindlasti piisavaid ohutusabinõusid, mis põhinevad hinnangulisel müratasemel tegelikus tööolukorras (võttes arvesse tööperioodi kõiki osasid, näiteks korrad, kui seade lülitatakse välja ja seade töötab tühikäigul, lisaks tööajale).

EÜ vastavusdeklaratsioon

Ainult Euroopa riikide puhul

EÜ vastavusdeklaratsioon sisaldub käesoleva juhendi Lisas A.

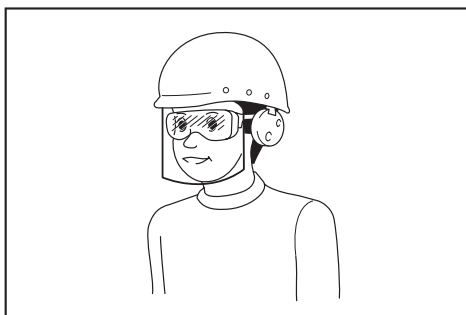
OHUTUSHOIATUSED

TÄHTSAD OHUTUSJUHISED

⚠ HOIATUS: Lugege läbi kõik ohutushoiatused ja juhtnõupid. Hoiatuste ja juhtnõupid mittejärgmine võib põhjustada elektrilööki, tulekahju ja/või tõsiselt vigastusi.

Hoidke edaspidisteks viide- teks alles kõik hoiatused ja juhtnõupid.

1. Jälgige, et lapsed ei mängiks niidukiga.
2. Mitte mingil juhul ärge lubage niidukit kasutada lastel ega isikutel, kes pole tutvunud kasutusjuhendiga. Kohalikud määrused võivad seada piiranguid kasutaja vanusele.
3. Ärge kunagi kasutage niidukit siis, kui läheduses viibivad inimesed (eriti lapsed) või lemmikloomad.
4. Pidage meeles, et muruniiduki omanik või kasutaja vastutab teistele isikutele põhjustatud vigastuste või nende varale tekitatud kahjustuste eest.
5. Kandke niidukiga töötamise ajal alati tugevaid jalatseid ja pikki pükse. Ärge töötage niidukiga, kui olete paljajalu või kannate lahtisi sandaale. Vältige liiga avarate ja rippuvate lipsude või nõõridega riiete või ehete kandmist. Need võivad liikuvate osade vahele kinni jääda.
6. Kandke elektritööriistu kasutades oma silmade vigastuste eest kaitsmiseks alati kaitseprille. Prillid peavad vastama USA-s standardile ANSI Z87.1, Euroopas standardile EN 166 või Austraalias/Uus-Meremaal standardile AS/NZS 1336. Austraalias/Uus-Meremaal on näo kaitsmiseks seadusega nõutud ka näokaitsme kasutamine.



Töandja kohustus on nõuda, et tööriista operaatorid ja teised tööpiirkonnas viibivad isikud kannaksid sobivat ohutusvarustust.

7. Enne kasutamist kontrollige, ega toitejuhtmel ei ole kahjustusi või vananemismärke. Kui juhe saab kasutamise ajal kahjustada, eemaldage see kohe vooluvõrgust. Ärge puudutage juhet enne vooluvõrgust eemaldamist. Ärge kasutage niidukit, kui juhe on kahjustatud või kulunud.
8. Töötage niidukiga ainult päevavalguses või hea tehisvalgustuse käes.
9. Vältige niiduki kasutamist märjas rohus.
10. Ärge kasutage niidukit kunagi vihma ajal.
11. Hoidke alati käepidemest kindlalt kinni.
12. Jälgige kallakutel alati, et teil oleks kindel jalgealune.
13. Kõndige, ärge kunagi jookske.
14. Ärge haarake niidukit hoides või üles tõstes katmata lõiketeradest või -servadest.
15. Füüsiline seisund – ärge kasutage niidukit, kui olete uimastite, alkoholi või ravimite mõju all.
16. Hoidke käed ja jalad pöörlevatest lõiketeradest eemal. Ettevaatust! Toite väljalülitamise järel pöörlevad terad vaba hooga edasi.
17. Kasutage ainult juhendis toodud tootja originaallõiketeri.
18. Enne toimingu tegemist kontrollige hoolikalt, et lõiketeradel poleks mörasid või kahjustusi. Vahetage pragunenud või vigastatud lõiketerad viivitamatult välja.
19. Enne niitmise alustamist veenduge, et niidetaval alal poleks teisi inimesi. Seisake niiduk, kui keegi siseneb niidetavale alale.
20. Eemaldage võõrkehade (nt kivid, traadijupid, pudelid, luud ja suuremad oksad) niidetavalt alalt enne niitmise alustamist, et vältida tervisekahjustusi ja niiduki kahjustamist.
21. Kui märkate midagi ebatavalist, lõpetage kohe töö. Lülitage niiduk välja ja eemaldage toitejuhe vooluvõrgust. Seejärel kontrollige niidukit.
22. Ärge proovige kunagi rattaid reguleerida, kui niiduk töötab.
23. Vabastage hooblüüti ja oodake lõiketera seiskumist, enne kui sõidate niidukiga üle sisesõiduteede, kõnniteede, teede või kruusaga kaetud alade. Samuti eemaldage toitejuhe vooluvõrgust, kui jätate niiduki järelevalveta, et midagi teel olevat üles korjata või sealt eemaldada, või kui miski segab niitmisele keskendumist.

24. Kui niiduki tera tabab mõnda eset, võib see põhjustada tõsiseid tervisekahjustusi. Muru tuleb enne niitmist alati tähelepanelikult kontrollida ja kõigist esemetest puhastada.
25. Kui niiduki lõiketera tabab võõrkeha, toimige järgmiselt:
 - Peatage niiduk, vabastage hooblüüti ja oodake, kuni lõiketera on täielikult seiskunud. Eemaldage toitejuhe vooluvõrgust.
 - Kontrollige niidukit põhjalikult igasuguste kahjustuste suhtes.
 - Vahetage lõiketera välja, kui see on mingil moel kahjustada saanud. Enne niiduki taas-käivitamist ja töö jätkamist parandage kõik kahjustused.
26. Kontrollige murukogurit sageli kulumise või muul viisil kahjustumise suhtes. Enne hoiundamist veenduge alati, et murukogur oleks tühi. Ohutuse tagamiseks asendage kulunud murukogur alati tootja originaalosaga.
27. Olge eriti ettevaatlik niidukit tagurpidi liigutades või enda poole tõmmates.
28. Seisake lõiketera(d), kui niidukit tuleb kallutada, et liikuda üle alade, mis ei ole muruga kaetud, ning siis, kui viite niidukit niitmisalale või sealt ära.
29. Ärge kasutage kunagi niidukit, mille kaitsekate on defektseid või mille ohutusseadised (nt suunaja ja/või murukogur) on eemaldatud.
30. Niiduki sisselülitamisel järgige tähelepanelikult juhtnööre ja hoidke jalad lõiketera(de)st eemal.
31. Ärge kallutage niidukit, kui mootorit sisse lülitate, v.a juhul, kui see on käivitamiseks vajalik. Sellisel juhul ärge kallutage niidukit rohkem kui vaja ning tõstke ainult seda osa, mis jääb kasutajast eemale. Enne seadme maapinnale tagasi asetamist veenduge alati, et mõlemad käed oleksid tööasendis.
32. Ärge seiske seadme käivitamise ajal väljavisk-eava ees.
33. Ärge pange käsi ega jalgu pöörlevate osade lähedale ega nende alla. Hoidke väljaviskeava alati takistustest puhtana.
34. Ärge transportige niidukit, kui see on sisse lülitatud.
35. Seisake niiduk ja eemaldage pistik pistikupeest. Veenduge, et kõik liikuvad osad oleks täielikult peatunud
 - alati, kui niiduki juurest lahkute;
 - enne niidukist takistuste või väljaviskerennist ummistuste eemaldamist;
 - enne niiduki kontrollimist, puhastamist või hooldamist;
 - pärast seda, kui lõiketera on võõrkeha tabanud. Kontrollige niidukit kahjustuste suhtes ning tehke kõik vajalikud remonditööd enne selle taaskäivitamist ja niitmise jätkamist.
36. Kui niiduk hakkab ebanormaalselt vibreerima, siis
 - kontrollige kohe kahjustuste olemasolu;
 - vahetage või parandage kõik kahjustunud osad;
 - kontrollige osade pingust ja pinguldage lah-tised osad.

37. Olge niiduki reguleerimisel ettevaatlik, et vältida sõrmede muljumist niiduki fikseeritud osade ja liikuvate lõiketerade vahele.
38. Niitke kallakuid küljelt küljele ja mitte kunagi ülevalt alla või alt üles. Olge kallakutel liikumissuunda muutes äärmiselt ettevaatlik. Ärge niitke liiga järskudel kallakutel.
39. Ärge peske voolava veega; vältige vee sattumist mootorisse ja elektriühendustesse.
40. Kontrollige lõiketera fiksaatorpolti regulaarselt korrekste pinguse suhtes.
41. Seadme ohutu talitluse tagamiseks hoidke kõik mutrid, poldid ja kruvid tugevasti pinguldatusena.
42. Olge ettevaatlik, sest ühe tera pöörlemine võib põhjustada ka teiste terade pöörlemist.
43. Laske niidukil alati enne hoiundamist maha jahtuda.
44. Olge lõiketerade hooldamisel teadlik sellest, et kuigi toide on välja lülitatud, võivad lõiketerad siiski liikuda.
45. Ohutuse tagamiseks vahetage kulunud või kahjustunud osad uute vastu. Kasutage ainult originaalvaruosi ja -tarvikuid.
46. Laske elektritööriista hooldada kvalifitseeritud remondimehel, kes kasutab vaid identseid asendusosi. Tänu sellele on tagatud elektritööriista ohutus.
47. Järgige õlitamist ja tarvikute vahetamist puudutavaid juhtnõure.
48. Hoidke käed kuivad, puhtad ning õli- ja rasvavabad.
49. Veenduge, et toiteallika pinge ja voolutugevus vastaksid identifitseerimisplaadil olevatele tehnilistele andmetele. Soovitame kasutada residuaalvoolu kaitselülitit (maandusahela lülitit) rakendusvooluga 30 mA või vähem või maalühisdiferentsiaalkaitset.
50. 8-aastased ja vanemad lapsed ning füüsiliste, sensoorsete või vaimsete puuetega või ebapiisavate kogemuste ja teadmistega isikud võivad seda masinat kasutada juhul, kui nad töötavad järelevalve all või kui neid on õpetatud masinat ohutult kasutama ning nad mõistavad seadme kasutamisega kaasnevat ohtusid. Lapsed ei tohi seadet puhastada ega hooldada ilma järelevalveta.

Jääkohud

Ka siis, kui järgite selle toote kasutamisel kõiki ohutusnõudeid, kohaldub potentsiaalsete kehavigastuste ja kahjustuste risk. Toote ülesehitusest ja disainist tingitult võivad selle kasutamisega kaasneda alljärgnevad ohud.

1. Kui toodet kasutatakse pikemal ajaperioodil või kui seda ei kasutata ega hooldata nõuetekohaselt, võivad sellega kaasneda vibratsiooni emissioonist tingitud tervisekahjustused.
2. Tööriistade purunemine või varjatud esemete ootamatu löögijõud võib kasutamise ajal põhjustada kehavigastusi ja varakahju.
3. Esemete paikumisega kaasneb kehavigastuste ja varakahju oht.

⚠️HOIATUS: See toode genereerib kasutamise ajal elektromagnetvälja. See väli võib teatud tingimustel häirida aktiivsete või passiivsete meditsiiniliste implantaatide talitlust. Raskete või surmaga lõppeda võivate tervisekahjustuste ohu minimeerimiseks soovitame meditsiiniliste implantaatidega inimestel enne selle toote kasutamist pidada nõu arsti ja meditsiinilise implantaadi tootjaga.

HOIDKE JUHEND ALLES.

⚠️HOIATUS: ÄRGE UNUSTAGE järgida toote ohutusnõudeid mugavuse või toote (korduskasutamise saavutatud) hea tundmise tõttu.

VALE KASUTUS või kasutusjuhendi ohutuseeskirjade eiramine võib põhjustada tervisekahjustusi.

KOKKUPANEK

⚠️ETTEVAATUST: Enne tööriistal mingite tööde tegemist kandke alati hoolt selle eest, et see oleks välja lülitatud ja vooluvõrgust lahti ühendatud.

Käepideme kokkupanek

1. Eemaldage seadme põhiosalt ülemine käepide.
▶ **Joon.1:** 1. Ülemine käepide
2. Keerake tiibmutrid lahti.
▶ **Joon.2:** 1. Tiibmutter
3. Laiendage käepidet veidi väljastpoolt ja seejärel tõstke käepide üles.
▶ **Joon.3:** 1. Käepide
4. Reguleerige käepideme kõrgust, joodades noole vastava märgisega.
▶ **Joon.4:** 1. Tiibmutter 2. Märgis 3. Nool
5. Keerake tiibmutrid kinni.
▶ **Joon.5:** 1. Tiibmutter
6. Kinnitage ülemine käepide – selleks sisestage hoovad käepidemest väljastpoolt ja seejärel pingutage käepideme kinnitamiseks mutrivõtmega mutrid.
▶ **Joon.6:** 1. Hoob 2. Mutter
7. Kinnitage juhtmed klambriga joonisel näidatud viisil.
▶ **Joon.7:** 1. Klamber

Murukoguri paigaldamine

1. Kinnitage murukoguri torud raami külge.
▶ **Joon.8:** 1. Toru 2. Raam
2. Avage tagakaas.
▶ **Joon.9:** 1. Tagakaas
3. Kinnitage murukogur masina tagaküljele.
▶ **Joon.10**

Plastist murukoguri eemaldamiseks järgige paigaldamise protseduuri vastupidises järjekorras.

Pikendusjuhtme ühendamine

⚠HOIATUS: Pikendusjuhtme ühendamisel seadme toitepistikuga veenduge, et lülitisuhoob oleks vabastatud ja pikendusjuhe oleks volulüüri-gust eemaldatud.

⚠HOIATUS: Ärge ühendage pikendusjuhet volulüüri ega eemaldage seda volulüüri-gust märgade kätega.

TÄHELEPANU: Pikendusjuhtme ühendamisel seadme toitepistikuga veenduge, et see oleks korralikult pistikupesasse sisestatud.

Pikendusjuhtme ühendamisel kinnitage see joonisel näidatud viisil käepideme konksu külge, et vältida taht-matut pistikupesast eemaldamist.

► **Joon.11:** 1. Konks 2. Pikendusjuhe

FUNKSIONAALNE KIRJELDUS

Niitmiskõrguse reguleerimine

⚠HOIATUS: Enne niidukõrguse reguleerimist eemaldage pikendusjuhe volulüüri-gust ja veen-duge, et terad oleks täielikult seiskunud.

⚠HOIATUS: Ärge pange niitmiskõrguse regu-leerimise ajal käsi või jalgu kunagi niiduki alla.

Niitmiskõrgust saate reguleerida vahemikus 20 mm kuni 55 mm (mudelid ELM3320/ELM3720) või 20 mm kuni 75 mm (mudel ELM4120). Niitmiskõrgust saab regu-leerida 3 (mudelid ELM3320/ELM3720) või 7 tasemele (mudel ELM4120).

Mudelid ELM3320/ELM3720

► **Joon.12:** 1. Reguleerimishoob

ELM4120

► **Joon.13:** 1. Reguleerimishoob

Hoidke ühe käega käepidemest ja seejärel liigutage teise käega reguleerimishooba.

► **Joon.14:** 1. Reguleerimishoob

MÄRKUS: Reguleerige muru niitmiskõrgust vähem nähtavas kohas, et leida sobiv kõrgus.

Lüliti funktsioneerimine

⚠HOIATUS: Enne seadme volulüüri ühenda-mist kontrollige alati, kas hooblüüri funktsioneerib nõuetekohaselt ja liigub lahtilaskmisel tagasi asendisse „OFF”.

⚠HOIATUS: Teie ohutuse tagamiseks on seade varustatud lahtilukustusnupuga, mis hoiab ära selle ettekatsetamata käivitamise. Ärge kunagi kasutage seadet, kui see käivitub hooblüüri-le vajutamisel ilma lahtilukustusnupu vajutamata. Pöörduge remontimiseks kohaliku Makita hoolduskeskuse.

⚠HOIATUS: Ärge kunagi blokeerige lukustusfunktsiooni ega teipige kinni lahtilukustusnuppu.

TÄHELEPANU: Ärge vajutage hooblüürit jõuga ilma lahtilukustusnupu vajutamata. Lüliti võib puruneda.

Seadme käivitamiseks vajutage lahtilukustusnupp alla ja vajutage hooblüürit. Seadme seiskamiseks vabastage hooblüürit.

► **Joon.15:** 1. Hooblüüri 2. Lahtilukustusnupp

Murukoguri tasemeindikaator

Kui murukoguri ei ole täis, siis on tasemeindikaator niitmise ajal avatud. Kui murukoguri on täis, siis on tasemeindikaator niitmise ajal suletud. Kui murukoguri on täis, tühjendage see enne niitmist.

► **Joon.16:** 1. Tasemeindikaator

► **Joon.17:** 1. Tasemeindikaator

Käepideme kõrguse reguleerimine

Käepideme kõrgust saab reguleerida kolmele tasemele. Käepidemest kinni hoides keerake tiibmutrid lahti, see-järel reguleerige käepideme kõrgust, joondades noole ühe märgisega, ja keerake tiibmutrid taas kinni.

► **Joon.18:** 1. Tiibmutter 2. Märgis 3. Nool

Mootorikaitse süsteem (ülevoolurelee)

⚠HOIATUS: Kui masin peatub töötamise ajal järsku, vabastage hooblüürit ja eemaldage piken-dusjuhe volulüüri-gust. Muidu võib masin järsku taas tööle hakata ja põhjustada kehavigastuse.

⚠ETTEVAATUST: Enne löiketera kasutamist takistava objekti eemaldamist pange kind-lasti kindad kätte ja eemaldage pikendusjuhe pistikupesast.

Kui lõigatud muru või mustus satub seadme põhi-korpuse sisse, seiskub masin mootori kaitsmiseks automaatselt (ülevoolurelee). Sellisel juhul eemaldage pikendusjuhe pistikupesast, eemaldage takistav mater-jal ja laske seadmel mõni minut enne uuesti sisselülita-mist jahtuda.

MÄRKUS: Ülevoolurelee võib aktiveeruda, kui märg või pikk rohi satub seadme põhikorpuse sisse.

TÖÖRIISTA KASUTAMINE

Niitmine

▲HOIATUS: Puhastage niidetav ala enne niitmist okstest ja kividest. Lisaks puhastage niidetav ala enne niitmist ka umbrohust.

► Joon.19

▲HOIATUS: Kandke niiduki kasutamisel alati kaitseprille (või nt külgmiste kaitsmetega kaitseprille).

▲ETTEVAATUST: Kui niiduk kiilub niidetud muru või võõrkeha tõttu kinni, siis lülitage toide kindlasti välja ja eemaldage pikendusjuhe pistikupesast. Enne muru või võõrkehade eemaldamist pange kindlasti kindad kätte.

▲ETTEVAATUST: Paigaldage masina kasutamise ajaks kindlasti murukogur.

TÄHELEPANU: Kasutage seda seadet ainult muru niitmiseks. Ärge kasutage seda seadet umbrohu niitmiseks.

Hoidke niitmisel kindlalt kahe käega käepidemest kinni.

► Joon.20

Soovitav niitmiskiirus on umbes üks meeter nelja sekundi jooksul.

► Joon.21

Alustage niitmist pistikupesast lähedalt, nii ei muutu pikendusjuhe takistuseks.

► Joon.22: 1. Pistikupesast 2. Pikendusjuhe

Ärge laske pikendusjuhtmel masina alla sattuda ega sinna kinni jääda.

► Joon.23

► Joon.24

Põhikorpuse mõlemal küljel asuvaid jooni saab kasutada niitmislaiuse abijoontena. Niitke ribad kaupa, kasutades jooni abijoontena. Niitke kuni ühe kolmandiku ulatuses eelmise riba peal (kattuv ala) – nii niidate muru ühtlaselt.

► Joon.25: 1. Niitmislaius 2. Kattuv ala 3. Rida

Muutke iga kord niitmise suunda, et ei tekiks ühesuunalist muru mustrit.

► Joon.26

Kontrollige regulaarselt murukoguris oleva niidetud muru kogust. Tühjendage murukogur enne selle täitumist. Enne iga korralist kontrolli veenduge, et masin oleks peatatud.

MÄRKUS: Täis murukogur takistab niiduki lõiketeradel sujuvalt pöörelda ja lisab mootorile lisakoormuse, mis võib põhjustada mootoririkkeid.

Kõrge muru niitmine

Ärge püüdke lõigata kõrget muru korraga. Selle asemel niitke muru mitmes etapis. Jätke niitmiste vahele üks või kaks päeva, et muru muutuks ühtlaselt lühikeseks.

► Joon.27

MÄRKUS: Kõrge rohu korraga lühikeseks niitmine võib põhjustada muru kuivamise. Samuti võib niidetud muru ummistada seest niiduki korpuse.

Serva niitmine

Kui niidate servas, liigutage masinat kindlasti mööda serva.

► Joon.28

HOOLDUS

▲HOIATUS: Enne hoolduse tegemist eemaldage pikendusjuhe vooluvõrgust ja veenduge, et lõiketerad oleks täielikult seiskunud.

▲ETTEVAATUST: Hoolduse tegemise ajal kandke alati kindaid.

Toote OHUTUSE ja TÖÖKINDLUSE tagamiseks tuleb vajalikud remonttööd ning muud hooldus- ja reguleerimistööd lasta teha Makita volitatud teeninduskeskustes või tehase teeninduskeskustes. Alati tuleb kasutada Makita varuosi.

Hooldus pärast niitmist

Pärast niitmist pühkige masin kas kuiva või seebivette kastetud niiske lapiga puhtaks. Samuti võite kasutada pehmet harja, et eemaldada lõiketeradelt niitmiskäigud ja mustus.

TÄHELEPANU: Ärge kunagi kasutage bensiini, vedeldit, alkoholi ega midagi muud sarnast. Selle tulemuseks võib olla luitumine, deformatsioon või pragunemine.

Hoiundamine

1. Eemaldage pikendusjuhe.

► Joon.29: 1. Pikendusjuhe

2. Avage tagakaas ja eemaldage murukogur.

► Joon.30: 1. Tagakaas 2. Murukogur

3. Keerake käepidemest kinni hoides tiibmutrid lahti, seejärel laiendage natukene väljast käepidet ja pange seejärel käepide kokku.

► Joon.31: 1. Tiibmutter 2. Käepide 3. Märgis 4. Nool

▲ETTEVAATUST: Olge käepideme sulgemisel ettevaatlik, et te ei jätaks sõrmi ega kätt seadme vahele.

MÄRKUS: Veenduge, et nool osutaks kõige eesmist asendit tähistavale märgile.

4. Keerake tiibmutrid kinni.

► Joon.32: 1. Tiibmutter

5. Avage hoovad ja asetage juhe üle hoova.

► Joon.33: 1. Hoob 2. Juhe

6. Viige hoovad poolde asendisse, nagu on näidatud joonisel.

► Joon.34: 1. Hoob

7. Pange käepide kokku.

► **Joon.35:** 1. Käepide

8. Pange masin joonisel näidatud asendisse.

► **Joon.36**

⚠ETTEVAATUST: Hoidke masinat kindlasti siseruumides ja paigutage see ühetasasele pinnale. Muidu võib masin maha kukkuda ja kehavigastusi tekitada.

Hoiulepaneku ajaks võite masina kokku panna ka järgmiselt.

1. Eemaldage pikendusjuhe.

► **Joon.37:** 1. Pikendusjuhe

2. Avage tagakaas ja eemaldage murukogur.

► **Joon.38:** 1. Tagakaas 2. Murukogur

3. Määrake niitmiskõrgus reguleerimishoovaga.

Mudelid ELM3320/ELM3720:

Seadke niitmiskõrgus „1” tasemele.

► **Joon.39:** 1. Reguleerimishoob

Mudel ELM4120:

Seadke niitmiskõrgus „2” tasemele.

► **Joon.40:** 1. Reguleerimishoob

4. Keerake käepidemest kinni hoides tiibmutrid lahti, seejärel laiendage natukene väljast käepidet ja pange seejärel käepide kokku.

► **Joon.41:** 1. Tiibmutter 2. Käepide 3. Märgis 4. Nool

⚠ETTEVAATUST: Olge käepideme sulgemisel ettevaatlik, et te ei jätaks sõrmi ega kätt seadme vahele.

MÄRKUS: Veenduge, et nool osutaks kõige eesmist asendit tähistavale märgile.

5. Keerake tiibmutrid kinni.

► **Joon.42:** 1. Tiibmutter

6. Pange masin joonisel näidatud asendisse.

► **Joon.43**

⚠ETTEVAATUST: Hoidke masinat kindlasti siseruumides ja paigutage see ühetasasele pinnale. Muidu võib masin maha kukkuda ja kehavigastusi tekitada.

Hoiundamise ajaks võite ka masina käepidemed kokku panna.

⚠ETTEVAATUST: Enne hoobade avamist hoidke ülemisest käepidemest kindlalt kinni. Muidu võib käepide maha kukkuda ja kehavigastuse põhjustada.

1. Avage hoovad, hoides kinni ülemisest käepidemest.

► **Joon.44:** 1. Hoob

2. Pange ülemine käepide kokku.

► **Joon.45:** 1. Ülemine käepide

Niiduki tera vahetamine

⚠ETTEVAATUST: Niiduki tera asendamisel kasutage kindlasti tavalist kuuskantvõtit. Mõne teise mutrivõti kasutamine võib põhjustada liigset pingutamist või lõdvenemist, mis võib omakorda põhjustada vigastusi.

1. Tõmmake pikendusjuhe vooluvõrgust välja ja pange masin püstisesse asendisse. (Vaadake hoiundamise juhiseid.)

2. Sisestage tihvt auku, hoidke ühe käega käepidemest ja keerake polt mutrivõtmega vastupäeva keerates lahti.

► **Joon.46:** 1. Lõiketera 2. Mutrivõti 3. Tihvt

3. Eemaldage niiduki tera.

ELM3320

Eemaldage järjekorras polt, seib, niiduki tera ja klamber.

► **Joon.47:** 1. Klamber 2. Niiduki tera 3. Seib 4. Polt

Mudelid ELM3720/ELM4120

Eemaldage järjekorras polt, seib, niiduki tera, klamber ja vahepuks.

► **Joon.48:** 1. Vahepuks 2. Klamber 3. Niiduki tera 4. Seib 5. Polt

4. Kinnitage uus niiduki tera, sisestage tihvt auku, hoidke ühe käega käepidemest ja pingutage polt, keerates seda mutrivõtmega päripäeva.

► **Joon.49:** 1. Niiduki tera 2. Mutrivõti 3. Tihvt

Pikendusjuhe

Kasutage üksnes välitingimustes kasutamiseks mõeldud pikendusjuhtmeid, millel on polüvinüülkloriidist või kummist juhe ja mille ristlõikepindala ei ole väiksem kui 1,5 mm².

Enne kasutamist ja kasutamise ajal kontrollige, ega toite- ja pikendusjuhtmel pole kahjustusi. Ärge kasutage seadet, kui juhe on kahjustatud või kulunud. Hoidke pikendusjuhet lõikeosadest eemale. Kui juhe saab kasutamise ajal kahjustada, eemaldage see kohe vooluvõrgust. Ärge puudutage juhet enne vooluvõrgust eemaldamist.

VALIKULISED TARVIKUD

⚠ETTEVAATUST: Neid tarvikuid ja lisaseadiseid on soovitatav kasutada koos Makita tööriistaga, mille kasutamist selles kasutusjuhendis kirjeldatakse. Muude tarvikute ja lisaseadiste kasutamisega kaasneb vigastada saamise oht. Kasutage tarvikuid ja lisaseadiseid ainult otstarbekohaselt.

Saate vajaduse korral kohalikust Makita teeninduskeskusest lisateavet nende tarvikute kohta.

• Niiduki tera

MÄRKUS: Mõned nimekirjas loetletud tarvikud võivad kuuluda standardvarustusse ning need on lisatud tööriista pakendisse. Need võivad riigiti erineda.










DANE TECHNICZNE

Model:		ELM3320	ELM3720	ELM4120
Prędkość bez obciążenia		3 400 min ⁻¹		
Wysokość cięcia		20–55 mm		20–75 mm
Szerokość cięcia		330 mm	370 mm	410 mm
Numer części zamiennego noża kosiarki		YA00000731	YA00000732	YA00000733
Wymiary (dług. x szer. x wys.)	Podczas pracy (z koszem na trawę)	D: 1 040 mm do 1 230 mm Sz: 380 mm W: 870 mm do 1 110 mm	D: 1 140 mm do 1 330 mm Sz: 415 mm W: 890 mm do 1 120 mm	D: 1 255 mm do 1 470 mm Sz: 460 mm W: 955 mm do 1 230 mm
	Podczas przechowywania (bez kosza na trawę)	350 mm × 380 mm × 1 090 mm	335 mm × 415 mm × 1 090 mm	395 mm × 460 mm × 1 220 mm
Ciężar netto		10,2 kg	11,6 kg	14,5 kg
Klasa bezpieczeństwa		Ⓡ/II		

- W związku ze stale prowadzonym przez naszą firmę programem badawczo-rozwojowym niniejsze dane mogą ulec zmianom bez wcześniejszego powiadomienia.
- Dane techniczne mogą różnić się w zależności od kraju.
- Wysokość może być różna w zależności od osprzętu. W tabeli została przedstawiona najniższa i najcięższa konfiguracja zgodnie z procedurą EPTA 01/2014.

Symbole

Poniżej pokazano symbole zastosowane na urządzeniu. Przed rozpoczęciem użytkowania należy zapoznać się z ich znaczeniem.

	Zachować szczególną ostrożność. Przeczytać instrukcję obsługi.
	PODWÓJNA IZOLACJA
	Niebezpieczeństwo; uważać na wyrzucane przedmioty. Minimalna odległość między narzędziem a osobami postronnymi musi wynosić co najmniej 15 m.
 	Przed dotknięciem jakiegokolwiek komponentu urządzenia, należy poczekać do jego całkowitego zatrzymania.
	Elastyczny przewód zasilający należy trzymać z dala od noży.
	Uważać na ostre noże. Noże obracają się nawet po wyłączeniu silnika. Przed przeprowadzeniem prac konserwacyjnych lub jeśli przewód zasilający uległ uszkodzeniu, należy odłączyć wtyczkę od urządzenia.
	Hałas generowany przez urządzenie nie przekracza 96 dB.
	Nie zbliżać rąk ani stóp. Nie należy korzystać z kosiarki, jeśli osłony lub przystawki nie są właściwie zamontowane.



Dotyczy tylko państw UE
Nie wyrzucać urządzeń elektrycznych wraz z odpadami z gospodarstwa domowego! Zgodnie z dyrektywą europejską w sprawie zużytego sprzętu elektrycznego i elektronicznego oraz dostosowaniem jej do prawa krajowego, zużyte urządzenia elektryczne należy składować osobno i przekazywać do zakładu recyklingu działającego zgodnie z przepisami dotyczącymi ochrony środowiska.

Przeznaczenie

Urządzenie to jest przeznaczone do koszenia trawników. Nie wolno go używać do żadnych innych celów. Używanie urządzenia do celów innych niż przewidziane może powodować niebezpieczne sytuacje.

Zasilanie

Narzędzie wolno podłączać tylko do źródeł zasilania o napięciu zgodnym z napięciem podanym na tabliczce znamionowej. Można je zasilac wyłącznie jednofazowym prądem przemiennym. Narzędzie ma podwójną izolację, dlatego też można je zasilać z gniazda elektrycznego bez uziemienia. Aby uniknąć niebezpieczeństwa, uszkodzony przewód zasilający musi zostać wymieniony przez producenta lub jego przedstawiciela.

Dotyczy niskonapięciowych sieci elektroenergetycznych o napięciu pomiędzy 220 V a 250 V

Włączanie i wyłączanie urządzeń elektrycznych powoduje wahania napięcia. Posługiwanie się narzędziem przy niesprzyjających parametrach zasilania może mieć niekorzystny wpływ na działanie innych urządzeń. Jeśli impedancja sieci elektrycznej jest mniejsza lub równa 0,425 oma (model ELM3720) lub 0,427 oma (model ELM4120), można założyć, że niekorzystne efekty nie wystąpią. Gniazdo sieciowe używane do podłączenia tego urządzenia powinno być zabezpieczone bezpiecznikiem lub wyłącznikiem o zwłocznej charakterystyce wyłączania.

Hałas

Obowiązująca norma : EN60335

Model	Poziom ciśnienia akustycznego		Poziom natężenia dźwięku	
	L _{PA} (dB(A))	Niepewność K (dB(A))	L _{PA} (dB(A))	Niepewność K (dB(A))
ELM3320	83	3	94	2
ELM3720	83	3	94	1
ELM4120	84	3	93	2

WSKAZÓWKA: Deklarowana wartość emisji hałasu została zmierzona zgodnie ze standardową metodą testową i można ją wykorzystać do porównywania narzędzi.

WSKAZÓWKA: Deklarowaną wartość emisji hałasu można także wykorzystać we wstępnej ocenie narażenia.

⚠ OSTRZEŻENIE: Nosić ochronniki słuchu.

⚠ OSTRZEŻENIE: Poziom hałasu wytwarzanego podczas rzeczywistego użytkowania elektronarzędzia może się różnić od wartości deklarowanej w zależności od sposobu użytkowania narzędzia, a w szczególności od rodzaju obrabianego elementu.

⚠ OSTRZEŻENIE: W oparciu o szacowane narażenie w rzeczywistych warunkach użytkowania należy określić środki bezpieczeństwa w celu zapewnienia ochrony operatora (uwzględniając wszystkie elementy cyklu działania, tj. czas, kiedy narzędzie jest wyłączone i kiedy pracuje na biegu jałowym, a także czas, kiedy jest włączone).

Drgania

Całkowita wartość poziomu drgań (suma wektorów w 3 osiach) określona zgodnie z normą EN60335:

Model ELM3320

Emisja drgań (a_n): 2,5 m/s² lub mniej

Niepewność (K): 1,5 m/s²

Model ELM3720

Emisja drgań (a_n): 2,5 m/s² lub mniej

Niepewność (K): 1,5 m/s²

Model ELM4120

Emisja drgań (a_n): 2,5 m/s² lub mniej

Niepewność (K): 1,5 m/s²

WSKAZÓWKA: Deklarowana wartość poziomu drgań została zmierzona zgodnie ze standardową metodą testową i można ją wykorzystać do porównywania narzędzi.

WSKAZÓWKA: Deklarowaną wartość poziomu drgań można także wykorzystać we wstępnej ocenie narażenia.

⚠ OSTRZEŻENIE: Drgania wytwarzane podczas rzeczywistego użytkowania elektronarzędzia mogą się różnić od wartości deklarowanej w zależności od sposobu użytkowania narzędzia, a w szczególności od rodzaju obrabianego elementu.

⚠ OSTRZEŻENIE: W oparciu o szacowane narażenie w rzeczywistych warunkach użytkowania należy określić środki bezpieczeństwa w celu zapewnienia ochrony operatora (uwzględniając wszystkie elementy cyklu działania, tj. czas, kiedy narzędzie jest wyłączone i kiedy pracuje na biegu jałowym, a także czas, kiedy jest włączone).

Deklaracja zgodności WE

Dotyczy tylko krajów europejskich

Deklaracja zgodności WE jest dołączona jako załącznik A do niniejszej instrukcji obsługi.

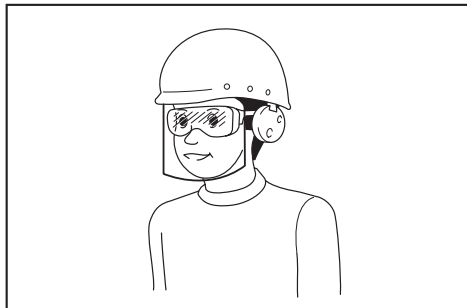
OSTRZEŻENIA DOTYCZĄCE BEZPIECZEŃSTWA

WAŻNE ZASADY BEZPIECZEŃSTWA

⚠ OSTRZEŻENIE: Przeczytać wszystkie ostrzeżenia bezpieczeństwa i wszystkie instrukcje. Niezastosowanie się do wspomnianych ostrzeżeń i instrukcji może doprowadzić do porażenia prądem elektrycznym, pożaru i/lub poważnych obrażeń ciała.

Wszystkie ostrzeżenia i instrukcje należy zachować do wykorzystania w przyszłości.

1. Należy zwracać uwagę, aby dzieci nie bawiły się kosiarką.
2. Nie dopuszczać, aby kosiarka była używana przez dzieci lub osoby, które nie zapoznały się z niniejszą instrukcją. Lokalne przepisy mogą ograniczać wiek użytkownika.
3. Nie wolno użytkować kosiarki, gdy w pobliżu znajdują się inne osoby, zwłaszcza dzieci, oraz zwierzęta.
4. Należy pamiętać, że operator lub użytkownik odpowiada za wypadki lub niebezpieczeństwa zagrażające innym osobom lub ich mieniu.
5. Podczas użytkowania kosiarki zawsze należy nosić odpowiednie mocne obuwie i długie spodnie. Nie wolno używać kosiarki, nie mając na stopach obuwia lub nosząc otwarte sandały. Unikać noszenia luźnej odzieży lub biżuterii, a także wiszących ozdób lub krawatów. Mogą one zostać wciągnięte przez ruchome części.
6. Należy zawsze nosić okulary ochronne, aby zabezpieczyć oczy przed urazami podczas użytkowania elektronarzędzi. Okulary ochronne muszą spełniać wymagania normy ANSI Z87.1 w USA, EN 166 w Europie oraz AS/NZS 1336 w Australii/Nowej Zelandii. Przepisy prawne obowiązujące w Australii/Nowej Zelandii wymagają również obowiązkowego stosowania osłony twarzy.



Odpowiedzialność za egzekwowanie używania odpowiednich środków ochrony osobistej przez operatorów narzędzi oraz inne osoby przebywające w bezpośrednim sąsiedztwie obszaru roboczego ponosi pracodawca.

7. Przed użyciem należy sprawdzić przewód zasilający pod kątem uszkodzeń lub zużycia. W przypadku uszkodzenia przewodu podczas pracy urządzenia, należy go niezwłocznie odłączyć od zasilania. Nie należy dotykać przewodu przed odłączeniem go od zasilania. Nie korzystaj z kosiarki, jeśli przewód jest uszkodzony lub wykazuje oznaki zużycia.
8. Kosiarkę należy użytkować tylko przy świetle dziennym lub odpowiednio silnym sztucznym oświetleniu.
9. Unikać koszenia mokrej trawy.
10. Nigdy nie używać kosiarki podczas deszczu.
11. Należy zawsze trzymać urządzenie mocno za uchwyt.
12. Podczas pracy na pochylonym terenie należy zadbać o dobre oparcie dla nóg.
13. Podczas użytkowania urządzenia należy chodzić, a nie biegać.
14. Podczas podnoszenia lub przenoszenia kosiarki nigdy nie chwycić za noże lub krawędzie tnące.
15. Kondycja fizyczna — nie używać kosiarki pod wpływem narkotyków, alkoholu lub leków.
16. Nie zbliżać rąk ani stóp do obracających się noży. Przestroga — po wyłączeniu kosiarki noże obracają się dalej siłą rozpędu.
17. Używać wyłącznie oryginalnych noży wymienionych w niniejszej instrukcji.
18. Przed przystąpieniem do pracy sprawdzić dokładnie noże pod kątem ewentualnych pęknięć lub uszkodzeń. Popękane lub uszkodzone noże należy niezwłocznie wymienić.
19. Upewnić się, że w miejscu koszenia nie są obecne inne osoby. Wyłączyć kosiarkę w przypadku pojawienia się jakichkolwiek osób na terenie przeznaczonym do koszenia.
20. W celu niedopuszczenia do powstania obrażeń ciała lub uszkodzenia kosiarki przed przystąpieniem do koszenia należy usunąć z terenu koszenia wszystkie przedmioty, takie jak kamienie, druty, butelki, kości oraz większe gałęzie.
21. W przypadku zauważenia jakichkolwiek nieprawidłowości należy natychmiast przerwać pracę. Wyłączyć kosiarkę i odłączyć przewód zasilający od źródła prądu. Następnie przeprowadzić kontrolę kosiarki.
22. Nigdy nie regulować wysokości kół podczas pracy kosiarki.
23. Zwolnić dźwignię przełącznika i poczekać na zatrzymanie się noża przed przejściem przez podjazd, ścieżkę, drogę lub inny obszar o nawierzchni zwirowej. W przypadku oddalenia się od kosiarki w celu podniesienia lub usunięcia czegoś z drogi lub z jakiegokolwiek innego powodu przyczyniającego się bezpośrednio do przerwania pracy, również należy odłączyć przewód od źródła zasilania.

24. Przedmioty odrzucone przez nóż kosiarki mogą spowodować poważne obrażenia osób znajdujących się w pobliżu. Przed każdym przystąpieniem do koszenia należy sprawdzić i oczyścić trawnik ze wszystkich niepożądanych rzeczy.
25. W przypadku natrafienia przez kosiarkę na obcy przedmiot należy postępować zgodnie z następującą procedurą:
 - Wyłączyć kosiarkę, zwolnić dźwignię przełącznika i poczekać do momentu całkowitego zatrzymania się noża.
 - Odłączyć przewód zasilający od źródła zasilania.
 - Sprawdzić dokładnie kosiarkę pod kątem występowania jakichkolwiek uszkodzeń.
 - W przypadku stwierdzenia jakiegokolwiek uszkodzenia noża należy wymienić go na nowy. Przed ponownym uruchomieniem i kontynuowaniem koszenia należy naprawić wszelkie powstałe uszkodzenia.
26. Regularnie sprawdzać kosz na trawę pod kątem zużycia lub uszkodzeń. Kosiarkę należy przechowywać wyłącznie z opróżnionym koszem na trawę. W celu zachowania bezpieczeństwa zużyty kosz na trawę należy wymienić na nowy, oryginalny kosz.
27. Zachować szczególną ostrożność w przypadku cofania lub ciągnięcia kosiarki w swoim kierunku.
28. Należy poczekać na zatrzymanie noża w przypadku konieczności przechylenia kosiarki, przejechania nią przez nawierzchnię inną niż trawa lub w przypadku konieczności przetransportowania jej do lub z obszaru użytkowania.
29. Nie używać kosiarki z uszkodzonymi osłonami lub pokrywami bądź ze zdjętymi zabezpieczeniami, takimi jak płyta odchylająca i/lub kosz na trawę.
30. Kosiarkę należy uruchamiać zgodnie z instrukcją, trzymając stopy z dala od noży.
31. Nie przechylać kosiarki podczas uruchamiania silnika, poza przypadkiem gdy kosiarka musi zostać przechylona w celu rozpoczęcia pracy. W takim przypadku nie wolno przechylać kosiarki bardziej, niż jest to absolutnie konieczne; należy unosić tylko tę część kosiarki, która jest oddalona od użytkownika. Przed opuszczeniem urządzenia na podłoże należy zawsze upewnić się, że obydwie ręce są w położeniu roboczym.
32. Nie uruchamiać kosiarki, stojąc przed wylotem wyrzutnika.
33. Nie zbliżać się do wirujących części ani nie wkładać pod nie dłoni ani stóp. Nie zaślaniać nigdy wylotu wyrzutnika.
34. Nie transportować włączonej kosiarki.
35. Wyłączyć kosiarkę i wyjąć wtyczkę z gniazda. Upewnić się, że wszystkie części ruchome całkowicie się zatrzymały:
 - gdy operator oddala się od kosiarki;
 - przed usunięciem niedrożności i odblokowaniem kanału wyrzutnika;
 - przed sprawdzaniem, czyszczeniem lub konserwacją kosiarki;
 - po natrafieniu na obcy przedmiot. Przed ponownym uruchomieniem i użytkowaniem kosiarki należy sprawdzić ją pod kątem występowania uszkodzeń i wykonać ewentualne naprawy.
36. Jeśli kosiarka zaczyna drgać w nietypowy sposób (natychmiast sprawdzić):
 - sprawdzić pod kątem występowania uszkodzenia;
 - wymienić lub naprawić uszkodzone części;
 - sprawdzić pod kątem poluzowanych części i, jeśli takie występują, dokręcić je.
37. Zachować ostrożność podczas regulacji kosiarki w celu niedopuszczenia do utknięcia palców pomiędzy poruszającymi się nożami oraz zamocowanymi na stałe częściami kosiarki.
38. Kosić trawę w poprzek pochyłości; nigdy pod górę ani w dół. Należy zachować szczególną ostrożność przy zmianie kierunku na pochyłościach. Nie wolno kosić trawy na stromych pochyłościach.
39. Nie czyścić urządzenia za pomocą węża z wodą; unikać przedostawania się wody do silnika oraz połączeń elektrycznych.
40. Regularnie sprawdzać śrubę mocującą noża pod kątem prawidłowego dokręcenia.
41. Wszystkie nakrętki, wkręty i śruby powinny być dokręcone, co pozwoli utrzymać urządzenie w bezpiecznym stanie technicznym.
42. Należy mieć na uwadze, że jeden obracający się nóż może wprawić w ruch pozostałe noże.
43. Przed schowaniem kosiarki należy zawsze odczekać, aż ostygnie.
44. Podczas obsługi noży należy pamiętać, że nawet w przypadku wyłączenia zasilania, nadal mogą się one poruszać.
45. Ze względów bezpieczeństwa należy wymieniać zużyte lub uszkodzone części. Używać tylko oryginalnych części zamiennych oraz akcesoriów.
46. Elektronarzędzie powinno być serwisowane przez wykwalifikowany personel, z użyciem wyłącznie oryginalnych części zamiennych. Zapewni to zachowanie bezpieczeństwa pracy z elektronarzędziem.
47. Przestrzegać instrukcji smarowania i wymiany akcesoriów.
48. Utrzymywać uchwyty suche, czyste i niezabrudzone olejem ani smarem.
49. Upewnić się, że napięcie i częstotliwość źródła zasilania odpowiadają wartościom na tabliczce znamionowej. Zalecamy stosowanie wyłącznika różnicowo-prądowego (wyłącznika ochronnego) o prądzie wyzwalającym równym 30 mA lub niższym albo zabezpieczenia przed prądem upływu.
50. Ta maszyna może być użytkowana przez dzieci w wieku powyżej 8 lat oraz przez osoby niebędące w pełni władz fizycznych, poznawczych i umysłowych lub nieposiadające doświadczenia ani wiedzy, o ile osoba odpowiedzialna za ich bezpieczeństwo zapewni odpowiedni nadzór i przekaże wskazówki dotyczące użytkowania maszyny oraz zagrożeń z nią związanych. Czyszczenie oraz konserwacja nie mogą być przeprowadzane przez dzieci bez nadzoru.

Pozostałe zagrożenia

Nawet jeśli ten produkt użytkowany jest zgodnie ze wszystkimi zasadami bezpieczeństwa, nie można całkowicie wykluczyć ryzyka odniesienia obrażeń lub wystąpienia szkód. W związku z konstrukcją i zasadą działania tego produktu mogą wystąpić następujące zagrożenia.

1. Szkody na zdrowiu będące skutkiem drgań, jeśli produkt będzie używany przez długi czas bądź w sposób nieprawidłowy lub jeśli nie będzie utrzymany w należyłym stanie technicznym.
2. Obrażenia ciała i uszkodzenia mienia spowodowane złamaniami elementów roboczych narzędzi lub nagłymi uderzeniami w niewidoczne przedmioty w trakcie użytkowania.
3. Niebezpieczeństwo odniesienia obrażeń lub uszkodzenia mienia przez wyrzucone przedmioty.

⚠ OSTRZEŻENIE: Ten produkt w trakcie pracy wytwarza pole elektromagnetyczne. Pole to może w pewnych okolicznościach zakłócać działanie aktywnych lub biernych implantów medycznych. Zalecamy, aby w celu ograniczenia ryzyka odniesienia poważnych lub śmiertelnych obrażeń osoby z implantami medycznymi przed użyciem tego produktu zasięgnęły porady lekarza lub producenta implantu medycznego.

ZACHOWAĆ NINIEJSZE INSTRUKCJE.

⚠ OSTRZEŻENIE: NIE WOLNO pozwolić, aby wygoda lub rutyna (nabyta w wyniku wielokrotnego używania urządzenia) zastąpiły ściśle przestrzeganie zasad bezpieczeństwa obsługi.

NIEWŁAŚCIWE UŻYTKOWANIE narzędzia lub niestosowanie się do zasad bezpieczeństwa podanych w niniejszej instrukcji obsługi może prowadzić do poważnych obrażeń ciała.

MONTAŻ

⚠ PRZESTROGA: Przed wykonywaniem jakichkolwiek prac przy narzędziu należy upewnić się, że jest ono wyłączone i odłączone od zasilania.

Montaż uchwyty

1. Zdjąć górny uchwyt z jednostki głównej urządzenia.
▶ **Rys.1:** 1. Górny uchwyt
2. Poluzować nakrętki motylkowe.
▶ **Rys.2:** 1. Nakrętka motylkowa
3. Nieznacznie rozszerzyć uchwyt na zewnątrz, a następnie podnieść uchwyt.
▶ **Rys.3:** 1. Uchwyt
4. Ustalić wysokość uchwyty, dopasowując położenie strzałki do symbolu.
▶ **Rys.4:** 1. Nakrętka motylkowa 2. Symbol 3. Strzałka

5. Dokręcić nakrętki motylkowe.

▶ **Rys.5:** 1. Nakrętka motylkowa

6. Przymocować górny uchwyt przez włożenie dźwigni od zewnątrz uchwytu, a następnie dokręcić nakrętki za pomocą klucza, aby unieruchomić uchwyt.

▶ **Rys.6:** 1. Dźwignia 2. Nakrętka

7. Zabezpieczyć przewody zaciskami, tak jak pokazano na ilustracji.

▶ **Rys.7:** 1. Zacisk

Zakładanie kosza na trawę

1. Na ramę założyć rurki kosza na trawę.

▶ **Rys.8:** 1. Rurka 2. Rama

2. Otworzyć tylną pokrywę.

▶ **Rys.9:** 1. Tylna pokrywa

3. Zaczepić kosz na trawę z tyłu urządzenia.

▶ **Rys.10**

Aby zdjąć kosz na trawę, należy wykonać czynności procedury zakładania w odwrotnej kolejności.

Podłączanie przedłużacza

⚠ OSTRZEŻENIE: Przed podłączeniem przedłużacza należy upewnić się, że dźwignia przełącznika jest zwolniona, a przewód zasilający odłączony od źródła zasilania.

⚠ OSTRZEŻENIE: Nie wolno podłączać ani odłączać przedłużacza mokrymi rękami.

UWAGA: Podczas podłączania przedłużacza należy całkowicie włożyć wtyczkę urządzenia do gniazda.

Podczas podłączania przedłużacza należy, w celu zabezpieczenia przed nadmiernym naprężeniem przewodu i niezamierzonym odłączeniem wtyczki, zahaczyć przedłużacz na zaczepie znajdującym się na uchwycie, tak jak pokazano na ilustracji.

▶ **Rys.11:** 1. Zaczep 2. Przedłużacz

OPIS DZIAŁANIA

Regulacja wysokości koszenia

⚠️ OSTRZEŻENIE: Przed dokonaniem regulacji wysokości koszenia należy odłączyć przedłużacz od źródła zasilania i upewnić się, że noże zostały całkowicie zatrzymane.

⚠️ OSTRZEŻENIE: Nie wolno wkładać rąk ani nóg pod kosiarkę podczas regulacji wysokości koszenia.

Regulacji wysokości koszenia można dokonać w zakresie od 20 mm do 55 mm (model ELM3320 i ELM3720) lub od 20 mm do 75 mm (model ELM4120). Wysokość koszenia można wyregulować, w zależności od modelu, w trzech (model ELM3320 i ELM3720) lub siedmiu poziomach (model ELM4120).

Dotyczy modeli ELM3320 i ELM3720

► Rys.12: 1. Dźwignia regulacji

Dotyczy modelu ELM4120

► Rys.13: 1. Dźwignia regulacji

Jedną ręką trzymając uchwyt, za pomocą drugiej ręki przesunąć dźwignię regulacji na odpowiedni poziom.

► Rys.14: 1. Dźwignia regulacji

WSKAZÓWKA: Przetestować koszenie trawy w mniej widocznym miejscu w celu ustawienia wymaganej wysokości koszenia.

Działanie przełącznika

⚠️ OSTRZEŻENIE: Przed podłączeniem narzędzia do zasilania należy zawsze sprawdzić, czy dźwignia przełącznika działa prawidłowo i po zwolnieniu wraca do pozycji „OFF” (WYŁ.).

⚠️ OSTRZEŻENIE: Ze względów bezpieczeństwa urządzenie jest wyposażone w przycisk blokady włączenia, który zapobiega przypadkowemu uruchomieniu kosiarki. Nie wolno używać urządzenia, jeśli można je uruchomić za pomocą dźwigni przełącznika bez uprzedniego wciśnięcia przycisku blokady włączenia. Zlecić naprawę w lokalnym autoryzowanym punkcie serwisowym Makita.

⚠️ OSTRZEŻENIE: Nigdy nie wolno wyłączać funkcji blokady ani zaklejać taśmą przycisku blokady włączenia.

UWAGA: Nie należy ciągnąć na siłę dźwigni przełącznika bez uprzedniego wciśnięcia przycisku blokady włączenia. Przełącznik może ulec uszkodzeniu.

Aby uruchomić urządzenie, należy nacisnąć przycisk blokady włączenia i pociągnąć do siebie dźwignię przełącznika. Aby zatrzymać urządzenie, należy zwolnić dźwignię przełącznika.

► Rys.15: 1. Dźwignia przełącznika 2. Przycisk blokady włączenia

Wskaźnik poziomu trawy w koszu

Wskaźnik poziomu trawy w koszu jest otwarty, gdy podczas koszenia kosz na trawę nie jest pełny. Jeśli kosz na trawę zostanie zapełniony podczas koszenia, wskaźnik zostanie zamknięty. Pełny kosz na trawę należy opróżnić przed koszeniem.

► Rys.16: 1. Wskaźnik poziomu

► Rys.17: 1. Wskaźnik poziomu

Regulacja wysokości uchwytu

Uchwyt można ustawić na trzech poziomach wysokości.

Trzymając uchwyt, poluzować nakrętki motylkowe, a następnie ustawić wysokość uchwytu, dopasowując strzałkę do jednego z symboli. Po ustawieniu wysokości dokręcić nakrętki motylkowe.

► Rys.18: 1. Nakrętka motylkowa 2. Symbol 3. Strzałka

Układ zabezpieczający silnika (przełącznik nadmiarowo-prądowy)

⚠️ OSTRZEŻENIE: Jeśli podczas pracy doszło do nagłego zatrzymania urządzenia, należy zwolnić dźwignię przełącznika i odłączyć przedłużacz. W innym wypadku nagłe, samoczynne uruchomienie maszyny może spowodować obrażenia.

⚠️ PRZESTROGA: Przed usunięciem obiektu blokującego nóż należy założyć rękawice, następnie odłączyć przedłużacz od gniazda zasilania.

Jeśli trawa lub zanieczyszczenia zaklinowały się wewnątrz korpusu, urządzenie automatycznie zatrzyma się, aby zapobiec uszkodzeniu silnika (przełącznik nadmiarowo-prądowy). W takim wypadku należy odłączyć przedłużacz od gniazda elektrycznego, a następnie usunąć zaklinowany obiekt. Przed ponownym uruchomieniem należy odczekać parę minut, aby urządzenie ostygło.

WSKAZÓWKA: Przełącznik nadmiarowo-prądowy może zostać uruchomiony, jeśli do wnętrza korpusu dostanie się długa lub mokra trawa.

OBSŁUGA

Koszenie

⚠️ OSTRZEŻENIE: Przed przystąpieniem do koszenia należy usunąć gałęzie oraz kamienie z terenu przeznaczanego do koszenia. Następnie należy usunąć chwasty.

► Rys.19

⚠️ OSTRZEŻENIE: Podczas koszenia należy zawsze nosić gogle ochronne lub okulary ochronne z bocznymi osłonami.

⚠️ PRZESTROGA: Jeśli skoszona trawa lub obcy przedmiot zaklinuje się wewnątrz korpusu kosiarki, należy wyłączyć urządzenie, a następnie odłączyć przedłużacz z gniazda zasilania. Przed usunięciem zaklinowanego przedmiotu lub trawy należy założyć rękawice.

⚠ PRZESTROGA: Podczas obsługi maszyny należy założyć kosz na trawę.

UWAGA: Tego urządzenia należy używać jedynie do koszenia trawy. Za pomocą tego urządzenia nie wolno kosić chwastów.

Podczas koszenia mocno trzymać uchwyt kosiarki obiema rękami.

► **Rys.20**

Zalecana prędkość koszenia to około 1 metr na 4 sekundy.

► **Rys.21**

Koszenie należy rozpoczynać w pobliżu gniazda zasilania, aby przedłużacz nie stanowił przeszkody.

► **Rys.22:** 1. Gniazdo zasilania 2. Przedłużacz

Nie wolno dopuścić do sytuacji, w której przedłużacz znajdzie się pod kosiarką lub zostanie pod nią zaplątany.

► **Rys.23**

► **Rys.24**

Linie po bokach korpusu wyznaczają szerokość koszenia. Kosić trawnik pasami, jako odniesienia używając tych linii. Aby zapewnić równe skoszenie trawnika, od 1/2 do 1/3 szerokości pasów powinno się nakładać.

► **Rys.25:** 1. Szerokość koszenia 2. Obszar nakładania 3. Linia

Za każdym razem zmieniać kierunek koszenia, aby zapobiec powstaniu wzoru spowodowanego kształtowaniem trawy w tym samym kierunku.

► **Rys.26**

Okresowo sprawdzać zapelnienie kosza na trawę. Opróżnić kosz zanim całkowicie się zapełni. Przed każdym sprawdzeniem stanu zapelnienia kosza zatrzymać urządzenie.

WSKAZÓWKA: Używanie kosiarki z pełnym koszem na trawę uniemożliwia płynny ruch obrotowy noża oraz dodatkowo obciąża silnik, co może przyczynić się do jego uszkodzenia.

Koszenie wysokiej trawy

Nie zaleca się cięcia wysokiej trawy za jednym razem. Zamiast tego należy kosić trawę etapami. Kosić co jeden lub dwa dni, aż do równomiernego skrócenia trawnika.

► **Rys.27**

WSKAZÓWKA: Mocne skrócenie wysokiej trawy za jednym razem może spowodować jej uschnięcie. Skoszona trawa może także zablokować się w kosiarce.

Koszenie przy krawędziach

Podczas koszenia przy krawędziach prowadzić kosiarkę wzdłuż krawędzi.

► **Rys.28**

KONSERWACJA

⚠ OSTRZEŻENIE: Przed wykonywaniem czynności konserwacyjnych należy odłączyć przedłużacz od źródła zasilania i upewnić się, że noże zostały całkowicie zatrzymane.

⚠ PRZESTROGA: Konserwację prowadzić tylko w rękawicach.

W celu zachowania odpowiedniego poziomu BEZPIECZEŃSTWA i NIEZAWODNOŚCI produktu wszelkie naprawy i różnego rodzaju prace konserwacyjne lub regulacje powinny być przeprowadzane przez autoryzowany lub fabryczny punkt serwisowy narzędzi Makita, zawsze z użyciem oryginalnych części zamiennych Makita.

Konserwacja po koszeniu

Po koszeniu przetrzeć urządzenie suchą lub namoczoną w wodzie z mydłem szmatką. Ponadto za pomocą miękkiego pędzla należy usunąć z noży ścinki trawy i zanieczyszczenia.

UWAGA: Nie stosować benzyny, rozpuszczalników, alkoholu itp. środków. Mogą one powodować odbarwienia, odkształcenia lub pęknięcia.

Przechowywanie

1. Odłączyć przedłużacz.
► **Rys.29:** 1. Przedłużacz
2. Otworzyć tylną pokrywę i zdjąć kosz na trawę.
► **Rys.30:** 1. Tylna pokrywa 2. Kosz na trawę
3. Trzymając uchwyt, poluzować nakrętki motylkowe, a następnie nieznacznie rozszerzyć uchwyt i złożyć go.
► **Rys.31:** 1. Nakrętka motylkowa 2. Uchwyt 3. Symbol 4. Strzałka

⚠ PRZESTROGA: Podczas składania uchwytu należy uważać, aby nie przytrzasnąć dłoni ani palców.

WSKAZÓWKA: Upewnić się, że strzałka wskazuje symbol znajdujący się najbliżej początku skali.

4. Dokręcić nakrętki motylkowe.
► **Rys.32:** 1. Nakrętka motylkowa
5. Otworzyć dźwignię, a następnie umieścić przewód na dźwigni.
► **Rys.33:** 1. Dźwignia 2. Przewód
6. Ponownie ustawić dźwignię w położeniu środkowym, jak pokazano na rysunku.
► **Rys.34:** 1. Dźwignia
7. Złożyć uchwyt.
► **Rys.35:** 1. Uchwyt
8. Ustawić urządzenie, tak jak pokazano na rysunku.
► **Rys.36**

⚠ PRZESTROGA: Maszynę należy przechowywać w pomieszczeniach i umieszczać tylko na płaskich powierzchniach. W innym przypadku maszyna mogłaby spaść i spowodować obrażenia.

Można również przechowywać maszynę w następujący sposób.

1. Odłączyć przedłużacz.

► **Rys.37:** 1. Przedłużacz

2. Otworzyć tylną pokrywę i zdjąć kosz na trawę.

► **Rys.38:** 1. Tylna pokrywa 2. Kosz na trawę

3. Ustawić wysokość koszenia za pomocą dźwigni regulacyjnej.

Dotyczy modeli ELM3320 i ELM3720:

Ustawić wysokość koszenia na „1”.

► **Rys.39:** 1. Dźwignia regulacji

Dotyczy modelu ELM4120:

Ustawić wysokość koszenia na „2”.

► **Rys.40:** 1. Dźwignia regulacji

4. Trzymając uchwyt, poluzować nakrętki motylkowe, a następnie nieznacznie rozszerzyć uchwyt i złożyć go.

► **Rys.41:** 1. Nakrętka motylkowa 2. Uchwyt
3. Symbol 4. Strzałka

⚠ PRZESTROGA: Podczas składania uchwytu należy uważać, aby nie przytrzasnąć dłoni ani palców.

WSKAZÓWKA: Upewnij się, że strzałka wskazuje symbol znajdujący się najbliżej początku skali.

5. Dokręć nakrętki motylkowe.

► **Rys.42:** 1. Nakrętka motylkowa

6. Ustawić urządzenie, tak jak pokazano na rysunku.

► **Rys.43**

⚠ PRZESTROGA: Maszynę należy przechowywać w pomieszczeniach i umieszczać tylko na płaskich powierzchniach. W innym przypadku maszyna mogłaby spaść i spowodować obrażenia.

Maszynę można przechowywać również ze złożonym uchwytem.

⚠ PRZESTROGA: Przed otwarciem dźwigni mocno chwycić górny uchwyt. W innym przypadku, upadek uchwytu może spowodować obrażenia.

1. Trzymając górny uchwyt, otworzyć dźwignie.

► **Rys.44:** 1. Dźwignia

2. Złożyć górny uchwyt.

► **Rys.45:** 1. Górny uchwyt

Wymiana noża kosiarki

⚠ PRZESTROGA: Podczas wymiany noża nie korzystać z żadnych kluczy poza standardowym kluczem imbusowym. Użycie innego klucza może prowadzić do niedostatecznego lub nadmiernego dokręcenia, co skutkować może obrażeniami.

1. Odłączyć przedłużacz i postawić urządzenie pionowo. (Postępować zgodnie z instrukcjami dotyczącymi przechowywania).

2. Wprowadzić kołek do otworu, a następnie chwycić uchwyt jedną ręką i poluzować śrubę, kręcąc kluczem w kierunku przeciwnym do ruchu wskazówek zegara.

► **Rys.46:** 1. Nóż 2. Klucz 3. Kołek

3. Zdjąć nóż kosiarki.

Dotyczy modelu ELM3320

Wymontować kolejno śrubę, podkładkę, nóż kosiarki i uchwyt.

► **Rys.47:** 1. Uchwyt 2. Nóż kosiarki 3. Podkładka
4. Śruba

Dotyczy modeli ELM3720 i ELM4120

Wymontować kolejno śrubę, podkładkę, nóż kosiarki, uchwyt i element dystansowy.

► **Rys.48:** 1. Element dystansowy 2. Uchwyt 3. Nóż kosiarki 4. Podkładka 5. Śruba

4. Umieścić w odpowiednim miejscu nowy nóż, wsunąć kołek do otworu, a następnie chwycić uchwyt jedną ręką i mocno dokręcić śrubę, kręcąc kluczem w kierunku zgodnym z ruchem wskazówek zegara.

► **Rys.49:** 1. Nóż kosiarki 2. Klucz 3. Kołek

Przedłużacz

Należy stosować tylko przedłużacze przeznaczone do standardowego użytku na zewnątrz, wykonane z PCW lub gumy, o przekroju nie mniejszym niż 1,5 mm². Przed użyciem oraz w trakcie użytkowania należy sprawdzać czy przedłużacz nie jest uszkodzony. Nie należy korzystać z kosiarki, jeśli przewód jest uszkodzony lub wykazuje oznaki zużycia. Przedłużacz należy trzymać z dala od elementów tnących. W przypadku uszkodzenia przewodu podczas pracy urządzenia, należy go niezwłocznie odłączyć od zasilania. Nie należy dotykać przewodu przed odłączeniem go od zasilania.

AKCESORIA OPCJONALNE

⚠ PRZESTROGA: Zaleca się stosowanie wymiennych akcesoriów i przystawek razem z narzędziem Makita opisanym w niniejszej instrukcji. Stosowanie innych akcesoriów lub przystawek może być przyczyną obrażeń ciała. Akcesoria lub przystawki należy wykorzystywać tylko zgodnie z ich przeznaczeniem.

W razie potrzeby wszelkiej pomocy i szczegółowych informacji na temat niniejszych akcesoriów udziela Państwu lokalne punkty serwisowe Makita.

- Nóż kosiarki

WSKAZÓWKA: Niektóre pozycje znajdujące się na liście mogą być dołączone do pakietu narzędziowego jako akcesoria standardowe. Mogą to być różne pozycje, w zależności od kraju.

RÉSZLETES LEÍRÁS

Típus:		ELM3320	ELM3720	ELM4120
Üresjárat fordulatszám		3 400 min ⁻¹		
Vágási magasság		20 mm – 55 mm		20 mm – 75 mm
Vágási szélesség		330 mm	370 mm	410 mm
A csere fűnyírókész alkatrész azonosítója		YA00000731	YA00000732	YA00000733
Méretek (H x SZ x M)	Működés közben (a fűgyűjtő kosárral)	H: 1 040 mm - 1 230 mm SZ: 380 mm M: 870 mm - 1 110 mm	H: 1 140 mm - 1 330 mm SZ: 415 mm M: 890 mm - 1 120 mm	H: 1 255 mm - 1 470 mm SZ: 460 mm M: 955 mm - 1 230 mm
	Tárolás során (a fűgyűjtő kosár nélkül)	350 mm x 380 mm x 1 090 mm	335 mm x 415 mm x 1 090 mm	395 mm x 460 mm x 1 220 mm
Nettó tömeg		10,2 kg	11,6 kg	14,5 kg
Biztonsági osztály		II/III		

- Folyamatos kutató- és fejlesztőprogramunk eredményeként az itt felsorolt tulajdonságok figyelmeztetés nélkül megváltozhatnak.
- A tulajdonságok országról országra különbözhetnek.
- A súly a felszerelt tartozék(ok)tól függően változhat. Az EPTA 01/2014 eljárás szerint meghatározott legnehezebb, illetve legkönnyebb kombináció a táblázatban látható.

Szimbólumok

A következőkben a berendezésen használt jelképek láthatók. A szerszám használata előtt bizonyosodjon meg arról hogy helyesen értelmezi a jelentésüket.



Legyen különösen elővigyázatos és figyelmes.
Olvassa el a használati utasítást.



KETTŐS SZIGETELÉS



Veszély: fokozottan ügyeljen a szerszám által kidobott tárgyakra!
A gép és a közelben tartózkodók közötti távolság legalább 15 méter legyen.



Várja meg, amíg a gép valamennyi alkatrésze teljesen leáll, mielőtt megérintené azokat.



Tartsa a rugalmas hálózati kábelt a kések-től távol.



Vigyázzon, a kések élesek. A kések a motor kikapcsolása után egy ideig még forognak. Karbantartás előtt vagy ha a vezeték megsérült, húzza ki a csatlakozódugót a fűnyíróból.



A gép zajszintje nem haladja meg a 96 dB-t.



Tartsa távol a kezét és a lábát. Ne működtesse a fűnyírót, ha a védőelemek és a tartozékok nincsenek a helyükön.



Csak EU-tagállamok számára
Az elektromos berendezéseket ne dobja a háztartási szeméttel! A használt elektromos és elektronikus berendezésekről szóló európai uniós irányelv és annak a nemzeti jogba való átültetése szerint az elhasznált elektromos berendezéseket külön kell gyűjteni, és környezetbarát módon újra kell hasznosítani.

Rendeltetés

A gépet fűnyírásra szánták. Más célra ne használja a gépet. A gép nem rendeltetésszerű használata veszélyes helyzetet eredményezhet.

Tápfeszültség

A szerszámot kizárólag olyan egyfázisú, váltóáramú hálózatra szabad kötni, amelynek feszültsége megegyezik az adattábláján szereplő feszültséggel. A szerszám kettős szigetelésű, ezért földelővezeték nélküli aljzatról is működtethető. A sérült csatlakozókábelről a veszélyek megelőzése érdekében a gyártónak vagy a gyártó által megbízott szerviznek kell kicserélnie.

A 220 V és 250 V közötti feszültséggel rendelkező, nyilvános kiserővel való használatra.

Az elektromos berendezések bekapcsolásakor feszültség-ingadozások léphetnek fel. Ezen készülék üzemeltetése nem megfelelő áramellátási körülmények között kedvezőtlen hatással lehet más berendezések működésére. A maximum 0,425 ohm (ELM3720) vagy 0,427 ohm (ELM4120 esetén) értékű hálózati impedancia esetén feltételezhetően nem lesznek negatív jelenségek. Az ehhez az eszközhöz használt hálózati csatlakozót biztosítékkal vagy lassú kioldási jellemzőkkel rendelkező megszakítóval kell védeni.

Típus	Hangnyomásszint		Hangteljesítményszint	
	L _{PA} (dB(A))	Bizonytalanság (K) (dB (A))	L _{PA} (dB(A))	Bizonytalanság (K) (dB (A))
ELM3320	83	3	94	2
ELM3720	83	3	94	1
ELM4120	84	3	93	2

MEGJEGYZÉS: A zajkibocsátás értéke a szabványos vizsgálati eljárásnak megfelelően lett mérve, és segítségével az elektromos kéziszerszámok összehasonlíthatók egymással.

MEGJEGYZÉS: A zajkibocsátás értékének segítségével előzetesen megbecsülhető a rezgésnek való kitétség mértéke.

▲FIGYELMEZTETÉS: Viseljen fülvédőt!

▲FIGYELMEZTETÉS: A szerszám zajkibocsátása egy adott alkalmazásnál eltérhet a megadott értéktől a használat módjától, különösen a feldolgozott munkadarab fajtájától függően.

▲FIGYELMEZTETÉS: Határozza meg a kezelő védelmét szolgáló munkavédelmi lépéseket, melyek az adott munkafeltételek melletti vibrációs hatás becslött mértékén alapulnak (figyelembe véve a munkaciklus elemeit, mint például a gép leállításának és üresjáratának mennyiségét az elindítások száma mellett).

Vibráció

A vibráció teljes értéke (háromtengelyű vektorösszeg) az EN60335 szerint meghatározva:

ELM3320 típus

Rezgéskibocsátás (a_n): 2,5 m/s² vagy kisebb
Bizonytalanság (K): 1,5 m/s²

ELM3720 típus

Rezgéskibocsátás (a_n): 2,5 m/s² vagy kisebb
Bizonytalanság (K): 1,5 m/s²

ELM4120 típus

Rezgéskibocsátás (a_n): 2,5 m/s² vagy kisebb
Bizonytalanság (K): 1,5 m/s²

MEGJEGYZÉS: A rezgés teljes értéke a szabványos vizsgálati eljárásnak megfelelően lett mérve, és segítségével az elektromos kéziszerszámok összehasonlíthatók egymással.

MEGJEGYZÉS: A rezgés teljes értékének segítségével előzetesen megbecsülhető a rezgésnek való kitétség mértéke.

▲FIGYELMEZTETÉS: A szerszám rezgés-kibocsátása egy adott alkalmazásnál eltérhet a megadott értéktől a használat módjától, különösen a feldolgozott munkadarab fajtájától függően.

▲FIGYELMEZTETÉS: Határozza meg a kezelő védelmét szolgáló munkavédelmi lépéseket, melyek az adott munkafeltételek melletti vibrációs hatás becslött mértékén alapulnak (figyelembe véve a munkaciklus elemeit, mint például a gép leállításának és üresjáratának mennyiségét az elindítások száma mellett).

EK Megfelelőségi nyilatkozat

Csak európai országokra vonatkozóan

Az EK-megfelelőségi nyilatkozat az útmutató „A” mellékletében található.

BIZTONSÁGI FIGYELMEZTETÉS

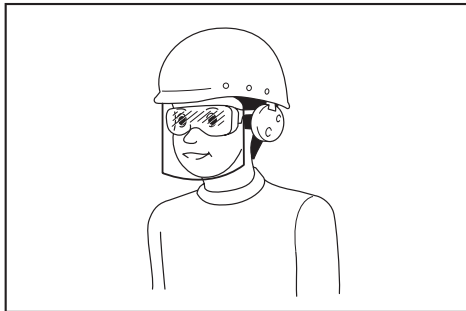
FONTOS BIZTONSÁGI SZABÁLYOK

▲FIGYELMEZTETÉS: Olvassa el az összes biztonsági figyelmeztetést és utasítást. Ha nem tartja be a figyelmeztetéseket és utasításokat, akkor áramütés, tűz és/vagy súlyos sérülés következhet be.

Őrizzen meg minden figyelmeztetést és utasítást a későbbi tájékozódás érdekében.

1. Ügyelni kell arra, hogy gyermekek ne játszhassanak a fűnyíróval.
2. Soha ne engedje, hogy gyermekek vagy ezen utasításokat nem ismerő személyek használják a fűnyírót. Előfordulhat, hogy a helyi törvények rendelkeznek a kezelő életkorát illetően.
3. Ne működtesse a fűnyírót, ha emberek – különösen gyermekek – vagy háziállatok tartózkodnak a közelben.
4. Ne feledje, hogy a kezelő, illetve felhasználó felelős a balesetekért vagy a más személyekkel vagy tulajdonnal szembeni veszélyhelyzetekért.
5. A fűnyíró használata közben megfelelő lábbelít és hosszú nadrágot viseljen. Ne működtesse a fűnyírót meztláb vagy nyitott szandálban. Kerülje a laza, vagy lógó részekkel, szalagokkal rendelkező ruhák vagy ékszerek viselését. Ezeket a mozgó alkatrészek becsíphetik.
6. Elektromos szerszámok használatakor mindig viseljen védőszemüveget a szem védelme érdekében. A szemüvegnek meg kell felelnie az ANSI Z87.1 szabványnak az

Egyesült Államokban, az EN 166 szabványnak Európában, illetve az AS/NZS 1336 szabvány-nak Ausztráliában/Új-Zélandon. Ausztráliában/Új-Zélandon törvény írja elő az arcvédő használatát is, amely biztosítja az arc védelmét.



A munkaadó felelőssége, hogy a megfelelő biztonsági védőeszköz viselésére kötelezze a szerszám kezelőit és a közvetlen munkaterületen lévő más személyeket.

7. Használat előtt ellenőrizze, hogy a tápkábel nem sérült-e, illetve nem öregedett-e el. Amennyiben a kábel használat során megsérül, haladéktalanul húzza ki a hálózathoz. Ne nyúljon a kábelhez, mielőtt kihúzta volna a hálózathoz. Ne használja a fűnyírót sérült, vagy hibás kábellel.
8. A fűnyírót csak napközben vagy kellően erős mesterséges megvilágítás mellett használja.
9. Kerülje a fűnyíró használatát nedves fűben.
10. Soha ne használja a fűnyírót esőben.
11. Mindig tartsa szilárdan a fogantyút.
12. Lejtőn mindig bizonyosodjon meg lába kellő megtámasztásáról.
13. Sétálva haladjon, soha ne fusson.
14. Ne fogja meg a csupasz kézeket vagy vágóéleket, amikor felemeli vagy megtartja a fűnyírót.
15. Fizikai állapot – Ne használja a fűnyírót, ha drog, alkohol vagy gyógyszer hatása alatt áll.
16. Tartsa kezét és lábát távol a forgó késektől. Vigyázat – A kések a fűnyíró kikapcsolása után még szabadon forognak.
17. Csak a kézikönyvben megadott eredeti gyártói késeket használja.
18. Gondosan ellenőrizze a késeket a használat előtt, repedések vagy sérülések tekintetében. Azonnal cserélje ki a megrepedt vagy sérült késeket.
19. A fűnyírás előtt a területen ne legyenek más emberek. Állítsa le a fűnyírót, ha valaki más is a területre lép.
20. Távolítsa el az idegen anyagokat, például köveket, drótokat, palackokat, csontokat és nagyobb botokat a területről, hogy elejét vegye a személyi sérülésnek vagy a fűnyíró károsodásának.
21. Ha bármi rendellenességet észlel, azonnal állítsa le a gépet. Kapcsolja ki a fűnyírót, és húzza ki a tápkábelt a hálózathoz. Ezt követően vizsgálja meg a fűnyírót.
22. Soha ne próbálja beállítani a kerék magasságát, míg a fűnyíró működik.

23. Engedje el a kapcsolókart, és várjon, amíg a kések forgása leáll, mielőtt felhajtjon, ösvényen, úton és kavicsos területen menne át. Húzza ki a tápkábelt a hálózathoz, ha magára hagyja a fűnyírót, például, hogy eltávolítson valamit az útjából, vagy bármilyen más okból, ami elvonhatja a figyelmét a tevékenységről, amit végez.
24. A fűnyíró kése által megütött tárgyak súlyos személyi sérülést okozhatnak. A gyepet mindig körültekintően meg kell vizsgálni, és minden fűnyírás előtt el kell távolítani minden objektumot.
25. Ha a fűnyíró egy idegen tárgyba ütközik, kövesse az alábbi lépéseket:
 - Állítsa le a fűnyírót, engedje el a kapcsolókart és várjon, amíg a kés teljesen leáll.
 - Húzza ki a tápkábelt a hálózathoz.
 - Vizsgálja át alaposan a fűnyírót, hogy megkeresse az esetleges károsodásokat.
 - Cserélje ki a kést, ha az bármi módon károsodott. A fűnyíró további használata előtt javítson ki minden károsodást.
26. Gyakran ellenőrizze a fűgyűjtő kosár esetleges kopását vagy eldeformálódását. A tároláshoz mindig győződjön meg arról, hogy a fűgyűjtő kosár üres. Cserélje ki az elhasználatott fűgyűjtő kosarat egy új gyári cseredarabbal.
27. Különösen óvatosan járjon el tolatáskor, illetve amikor a fűnyírót maga felé húzza.
28. Várja meg, míg a kések leállnak, ha a fűnyírót egy nem füves területen való áthaladás érdekében meg kell dönteni, vagy amikor a fűnyírót a levágandó területhez/területről szállítja.
29. Soha ne használja a fűnyírót hibás védőelemekkel vagy biztonsági eszközök nélkül, például a terelőelemek és/vagy a fűgyűjtő kosár felszerelése nélkül.
30. A fűnyírót óvatosan, az utasításoknak megfelelően indítsa be, és lábát tartsa kellő távolságra a kés(ek)től.
31. Ne döntse meg a fűnyírót a motor bekapcsolásakor, kivéve, ha a fűnyírót a beindításhoz meg kell dönteni. Ebben az esetben se döntse meg jobban a szükségesnél, és a fűnyírót a kezelővel ellentétes oldalát megemelve döntse meg. Mielőtt a gépet újra a földre teszi mindig ügyeljen arra, hogy mindkét keze a működtetési helyzetben legyen.
32. Ne indítsa el a fűnyírót, amikor a kiszóró nyílás előtt áll.
33. Ne tegye kezét és lábát forgó alkatrészek alá vagy azokhoz közel. A kiszóró nyílást mindig tartsa szabadon.
34. Ne szállítsa a fűnyírót bekapcsolt állapotban.
35. Állítsa le a fűnyírót és húzza ki a csatlakozót az aljzathoz. Győződjön meg arról, hogy minden mozgó alkatrész teljesen leállt
 - minden alkalommal, amikor magára hagyja a fűnyírót, – akadályok vagy eltömődések elhárítása előtt, – ellenőrzés, tisztítás vagy a fűnyírón való munkavégzés előtt, – idegen tárgyba ütközés után. Vizsgálja át a fűnyírót, hogy nem sérült-e meg, és végezze el a szükséges javításokat az ismételt elindítás és használat előtt.
36. Ha a fűnyíró szokatlan módon kezd vibrálni (azonnali ellenőrzés)
 - ellenőrizze, hogy nem károsodott-e,

- cserélje ki vagy javítsa meg a sérült alkatrészeket,
 - ellenőrizze és húzza meg a laza alkatrészeket.
37. Legyen óvatos a fűnyíró beállításai során, nehogy beszoruljon az ujjá a mozgó kések és a fűnyíró rögzített alkatrészei közé.
 38. A lejtőkön oldalirányba haladjon át, ne lefelé vagy felfelé. Különösen óvatosan járjon el a lejtőn való irányváltáskor. Ne végezzen fűnyírást túl meredek lejtőkön.
 39. Ne mossa tömlővel, kerülje el, hogy víz kerüljön a motorba és a villamos csatlakozásokba.
 40. Rendszeresen ellenőrizze a késrögzítő csavar megfelelő feszességét.
 41. A berendezés biztonságos műszaki állapotának biztosítása érdekében a csavarok és anyák mindig legyenek szorosra meghúzva.
 42. Ügyeljen arra, hogy az egyik kés forgása másik kések forgását okozhatják.
 43. Tárolás előtt mindig hagyja lehűlni a fűnyírót.
 44. A kések szervizelése során ne feledje, hogy a kések elmozdíthatók még kikapcsolt áramforrás esetén is.
 45. A biztonság érdekében cserélje ki a kopott vagy sérült alkatrészeket. Csak eredeti pótalkatrészeket és tartozékokat használjon.
 46. Elektromos szerszámának szervizelését bízza eredeti pótalkatrészeket használó képzett javítószemélyzetre. Ezzel biztosítja hogy az elektromos szerszám biztonsága fennmarad.
 47. A szerszám kenésekor vagy tartozékcseréje után kövesse az utasításokat.
 48. A fogantyúkat/karokat tartsa szárazon, tisztán, valamint olaj- és zsírmentesen.
 49. Ellenőrizze, hogy a tápellátás feszültsége és frekvenciája megfelel-e az azonosító táblán megadott műszaki adatoknak. Javasoljuk egy 30 mA-es vagy annál kisebb kioldási áramú megszakító (földzárlat-megszakító) vagy egy érintésvédő kapcsoló használatát.
 50. A készüléket nem használhatják 8 évnél fiatalabb gyermekek, valamint csökként fizikai, érzékelési vagy értelmi képességű személyek, illetve olyanok, akiknek nincs meg a tapasztalatuk és tudásuk ehhez, kivéve, ha valaki a biztonságos használatra megtanítja őket, ismerteti velük a lehetséges veszélyeket, és a használat közben felügyeli őket. A készülék tisztítását és karbantartását felügyelet nélküli gyermekek ne végezzék.

Fennmaradó kockázatok

Ha a terméket minden biztonsági követelménynek megfelelően üzemelteti, akkor is maradnak lehetséges sérülési és károkozási kockázatok. A termék szerkezetéből és tervezéséből adódóan a következő veszélyek állhatnak fenn.

1. A rezgés kibocsátásból származó egészségkárosodás, ha a terméket hosszú időken keresztül használják vagy nem kezelik megfelelően és nem tartják rendszeresen karban.
2. Törött szerszámok alkalmazása vagy rejtett tárgyak használat közbeni hirtelen ütése miatti sérülések és anyagi károk.
3. Repülő tárgyak által okozott sérülések és anyagi károk veszélye.

FIGYELMEZTETÉS: A termék működés közben elektromágneses mezőt gerjeszt. Bizonyos körülmények között ez a mező zavarhatja az aktív vagy passzív orvosi implantátumokat. A súlyos vagy halálos sérülés kockázatának elkerülése érdekében javasoljuk, hogy az orvosi implantátumot viselő személyek konzultáljanak az orvosukkal és az orvosi implantátum gyártójával a termék működtetése előtt.

ŐRIZZE MEG EZEKET AZ UTASÍTÁSOKAT.

FIGYELMEZTETÉS: NE HAGYJA, hogy (a termék többszöri használatából eredő) kényelem és megszokás váltsa fel a termék biztonsági előírásainak szigorú betartását.

A HELYTELEN HASZNÁLAT és a használati útmutatóban szereplő biztonsági előírások megszegése súlyos személyi sérülésekhez vezethet.

ÖSSZESZERELÉS

VIGYÁZAT: Mielőtt bármilyen munkálatot végezne rajta, mindig bizonyosodjon meg arról hogy a szerszámot kikapcsolta és a hálózatról lecsatlakoztatta.

A fogantyú összeszerelése

1. Vegye le a felső fogantyút a gép főegységéről.
▶ **Ábra1:** 1. Felső fogantyú
2. Lazítsa meg a marokanyákat.
▶ **Ábra2:** 1. Marokanya
3. Húzza a fogantyút kissé kifelé, majd emelje fel.
▶ **Ábra3:** 1. Fogantyú
4. Állítsa be a fogantyú magasságát úgy, hogy a nyíl egy vonalba hozza a jelzéssel.
▶ **Ábra4:** 1. Marokanya 2. Jel 3. Nyíl
5. Húzza meg a marokanyákat.
▶ **Ábra5:** 1. Marokanya
6. Csatlakoztassa a felső fogantyút úgy, hogy a karokat kívülről beilleszti a fogantyúba, majd meghúzza az anyákat a csavarkulccsal a fogantyú rögzítéséhez.
▶ **Ábra6:** 1. Kar 2. Anya
7. A kábeleket rögzítse az ábrán látható módon.
▶ **Ábra7:** 1. Rögzítő

A fűgyűjtő kosár felszerelése

1. Csatlakoztassa a fűgyűjtő kosár csövét a kerethez.
▶ **Ábra8:** 1. Cső 2. Keret
2. Nyissa ki a hátsó fedelet.
▶ **Ábra9:** 1. Hátsó fedél
3. Akassza a fűgyűjtő kosarat a gép hátsó felére.
▶ **Ábra10**

A fűgyűjtő kosár eltávolításához a felszerelési eljárást hajtsa végre, fordított sorrendben.

A hosszabbító kábel csatlakoztatása

▲ FIGYELMEZTETÉS: A hosszabbító kábelnek a gép csatlakozódugójához történő csatlakoztatásakor győződjön meg róla, hogy a kapcsolókar fel van engedve, és a tápkábel nincs bedugva a hálózatba.

▲ FIGYELMEZTETÉS: Nedves kézzel ne csatlakoztassa vagy húzza ki a hosszabbító kábelt.

MEGJEGYZÉS: A hosszabbító kábelnek a gép csatlakozódugójához történő csatlakoztatásakor győződjön meg arról, hogy az teljesen be van dugva az aljzatba.

A hosszabbító kábel csatlakoztatásakor a kábelt az ábrán látható módon fűzze át a fogantyún lévő horgon, hogy megakadályozza a dugóra eső túlzott megterhelés miatti véletlenszerű kihúzódadást.

► **Ábra11:** 1. Horog 2. Hosszabbító kábel

A MŰKÖDÉS LEÍRÁSA

A fűnyírási magasság beállítása

▲ FIGYELMEZTETÉS: Mielőtt beállítja a fűnyírási magasságot, húzza ki a hosszabbító kábelt a tápfeszültségből, és ellenőrizze, hogy a kések teljesen leálltak-e.

▲ FIGYELMEZTETÉS: Soha ne tegye a fűnyíró alá a kezét vagy a lábát a fűnyírási magasság beállításakor.

A fűnyírási magasságot 20 mm-től 55 mm-ig (a ELM3320/ELM3720 esetében) és 20 mm-től 75 mm-ig (a ELM4120 esetében) lehet állítani. A fűnyírási magasságot 3 (az ELM3320/ELM3720 esetében) és 7 fokozatban (az ELM4120 esetében) lehet beállítani.

ELM3320/ELM3720 esetén

► **Ábra12:** 1. Beállító kar

ELM4120 esetén

► **Ábra13:** 1. Beállító kar

Az egyik kezével tartsa a fogantyút, és a másik kezével mozgassa a beállító kart.

► **Ábra14:** 1. Beállító kar

MEGJEGYZÉS: Végezzen próbanyírást egy kevésbé feltűnő helyen, és állítsa be a kívánt magasságot.

A kapcsoló használata

▲ FIGYELMEZTETÉS: A szerszám bedugása előtt mindig ellenőrizze, hogy a kapcsolókar megfelelően működik-e, és elengedve az „OFF” állásba kerül.

▲ FIGYELMEZTETÉS: Az Ön biztonsága érdekében ez a gép egy reteszológombról van felszerelve, ami meggátolja a szerszám véletlen beindulását. Soha ne használja a gépet, ha az akkor is beindul, amikor Ön a reteszológomb megnyomása nélkül húzza meg a kapcsolókart. Javításért forduljon a helyi Makita szervizközpontozhoz.

▲ FIGYELMEZTETÉS: Soha ne iktassa ki a reteszelő funkciót, és ne ragassza le a reteszológombot.

MEGJEGYZÉS: Ne húzza fel erővel a kapcsolókart anélkül, hogy a reteszológombot lenyomta volna. A kapcsoló eltörhet.

A gép indításához nyomja meg a reteszológombot, majd húzza fel a kapcsolókart. A gép leállításához engedje el a kapcsolókart.

► **Ábra15:** 1. Kapcsolókar 2. Reteszológomb

A fűgyűjtő kosár szintjelzője

A fűgyűjtő kosár szintjelzője a fűnyírási során nyitva van, ha a fűgyűjtő kosár nincs tele. Ha a fűnyírási során a fűgyűjtő kosár megtelik, a szintjelző becsukódik. Ha a fűgyűjtő kosár megtelt a fűnyírási folytatása előtt ürítse azt ki.

► **Ábra16:** 1. Szintjelző

► **Ábra17:** 1. Szintjelző

A fogantyúk magasságának beállítása

A fogantyú magasságát három fokozatban lehet beállítani. Lazítsa meg a marokanyákat, miközben tartja a fogantyút, a nyíl valamelyik jelhez történő igazításával állítsa be a fogantyú magasságát, majd húzza meg a marokanyákat.

► **Ábra18:** 1. Marokanya 2. Jel 3. Nyíl

Motorvédelem (túláramrelé)

▲ FIGYELMEZTETÉS: Ha a gép működtetése közben hirtelen leáll, engedje fel a kapcsolókart, és húzza ki a hosszabbítókat. Ellenkező esetben a gép hirtelen újraindulhat és sérülést okozhat.

▲ VIGYÁZAT: Mielőtt eltávolítaná a kést akadályozó tárgyat, vegyen fel kesztyűt, és húzza ki a hosszabbító kábelt az aljzattól.

Ha a levágott fű vagy egy idegen tárgy beszorul a géptest belsejébe, akkor a gép, a motor védelme érdekében automatikusan leáll (túláramrelé). Ebben az esetben húzza ki a hosszabbító kábelt az aljzattól, távolítsa el az akadást okozó tárgyat, és bekapcsolás előtt hagyja néhány percig lehűlni a gépet.

MEGJEGYZÉS: A túláramrelé akkor aktiválódik, ha nedves vagy hosszú fű körül a géptest belsejébe.

MŰKÖDTETÉS

Fűnyírási

▲ FIGYELMEZTETÉS: Fűnyírási előtt takarítsa el a botokat és köveket a nyírandó területről. Továbbá, előre távolítsa el minden gyomot a nyírandó területről.

► **Ábra19**

▲ FIGYELMEZTETÉS: Mindig viseljen védőszemüveget vagy biztonsági szemüveget oldalpajzsral, a fűnyíró használatá során.

▲ VIGYÁZAT: Ha a levágott fű vagy egy idegen tárgy elakadt a fűnyíró házában, kapcsolja ki a gépet és húzza ki a hosszabbító kábelt az aljzattól. A fű vagy az idegen tárgy eltávolítása előtt vegyen fel kesztyűt.

▲ VIGYÁZAT: A gép működtetésekor gondoskodjon róla, hogy felszerelje a fűkosarat.

MEGJEGYZÉS: A gépet kizárólag fűnyírásra használja. A géppel ne nyírjon gyomokat.

Fűnyíráskor mindkét kezével szilárdan tartsa a fogantyút.

► **Ábra20**

A fűnyírás javasolt sebessége négy másodpercenként körülbelül egy méter.

► **Ábra21**

Kezdje a fűnyírást a hálózati csatlakozó közelében, így a hosszabbító kábel nem akadályozza a műveletet.

► **Ábra22:** 1. Aljzat 2. Hosszabbító kábel

Ne engedje, hogy a hosszabbító kábel a gép alatt haladjon, vagy abba beleakadhatson.

► **Ábra23**

► **Ábra24**

A fűnyíró házának mindkét oldalán található vonal segít a fűnyírás szélességének meghatározásában. Használja a vonalakat iránymutatásként, sávokban nyírja a fűvet. A lenyírt fű egyenletessége érdekében, a korábban már lenyírt sáv felére, egyharmadára átfedve végezze a fűnyírást.

► **Ábra25:** 1. Fűnyírási szélesség 2. Átfedő terület 3. Vonal

Minden egyes alkalommal változtassa meg a fűnyírás irányát, hogy megakadályozza a fűszálak egyirányú dőléséből eredő mintázat kialakulását.

► **Ábra26**

Időszakosan ellenőrizze a fűgyűjtő kosárban lévő lenyírt fűvet. Űrítse ki a kosarat, mielőtt megtelne. Minden rendszeres ellenőrzés előtt állítsa le a gépet.

MEGJEGYZÉS: Ha a fűnyíró fűgyűjtő kosara megtelik, az akadályozza a kés sima forgását és túlterheli a motort, ami meghibásodáshoz vezethet.

Hosszú füves gyepek nyírása

Ne próbálja meg egyszerre lenyírni a hosszúra nőtt fűvet. Ehelyett inkább több lépésben nyírja le a fűvet. A fűnyírások között hagyjon egy-két napot, hogy a fű egyenletes legyen.

► **Ábra27**

MEGJEGYZÉS: A fű elhalhat, ha a hosszúra nőtt fűvet egy menetben kívánja rövidre vágni. A levágott fű eltömítheti a fűnyíró belsejét.

Szegélyvágás

Szegély vágásakor ügyeljen arra, hogy a gépet a szegély mentén mozgassa.

► **Ábra28**

KARBANTARTÁS

▲ FIGYELMEZTETÉS: Mielőtt karbantartaná a gépet, húzza ki a hosszabbító kábelt a tápfeszültségből, és ellenőrizze, hogy a kések teljesen leálltak-e.

▲ VIGYÁZAT: A karbantartás során mindig viseljen kesztyűt.

A termék BIZTONSÁGÁNAK és MEGBÍZHATÓSÁGÁNAK fenntartása érdekében a javításokat és más karbantartásokat vagy beállításokat a Makita hivatalos vagy gyári szervizközpontjában kell elvégezni, mindig csak Makita cserealkatrészeket használva.

Karbantartás a fűnyírás után

Fűnyírás után törölje le a gépet száraz vagy szappanos vízbe mártott ruhával. Továbbá, egy puha kefével távolítsa el a késekről a levágott fűvet és a szennyeződések.

MEGJEGYZÉS: Soha ne használjon gázolajt, benzint, hígítót, alkoholt vagy hasonló anyagokat. Ezek elszíneződést, alakvesztést vagy repedést okozhatnak.

Tárolás

1. Húzza ki a hosszabbító kábelt.

► **Ábra29:** 1. Hosszabbító kábel

2. Nyissa ki a hátsó fedelet, majd távolítsa el a fűgyűjtő kosarat.

► **Ábra30:** 1. Hátsó fedél 2. Fűgyűjtő kosár

3. Lazítsa meg a marokanyákat a fogantyú tartása közben, majd nyissa a fogantyút kicsit szélesebbre, és hajtás be a fogantyút.

► **Ábra31:** 1. Marokanya 2. Fogantyú 3. Jel 4. Nyíl

▲ VIGYÁZAT: A fogantyú behajtásakor ügyeljen arra, hogy ne csipje be a kezét vagy ujjait.

MEGJEGYZÉS: Győződjön meg róla, hogy a nyíl a legelülőbb helyzetben lévő jelzésre mutat.

4. Húzza meg a marokanyákat.

► **Ábra32:** 1. Marokanya

5. Nyissa ki a karokat, majd helyezze a vezetéket a karra.

► **Ábra33:** 1. Kar 2. Vezeték

6. Hajtás vissza félig a karokat az ábrán bemutatott módon.

► **Ábra34:** 1. Kar

7. Hajtsa be a fogantyút.

▶ **Ábra35:** 1. Fogantyú

8. Helyezze a gépet az ábrán látható módon.

▶ **Ábra36**

⚠VIGYÁZAT: Gondoskodjon róla, hogy a gépet beltéren tárolja, és sima felületre helyezi. Ellenkező esetben a gép leeshet és sérülést okozhat.

A következőképpen is tárolhatja a gépet.

1. Húzza ki a hosszabbító kábelt.

▶ **Ábra37:** 1. Hosszabbító kábel

2. Nyissa ki a hátsó fedelet, majd távolítsa el a fűgyűjtő kosarat.

▶ **Ábra38:** 1. Hátsó fedél 2. Fűgyűjtő kosár

3. Állítsa be a vágási magasságot a beállító karral.

ELM3320/ELM3720 esetén:

Állítsa a vágási magasságot „1”-re.

▶ **Ábra39:** 1. Beállító kar

ELM4120 esetén:

Állítsa a vágási magasságot „2”-re.

▶ **Ábra40:** 1. Beállító kar

4. Lazítsa meg a marokanyákat a fogantyú tartása közben, majd nyissa a fogantyút kicsit szélesebbre, és hajtsa be a fogantyút.

▶ **Ábra41:** 1. Marokanya 2. Fogantyú 3. Jel 4. Nyíl

⚠VIGYÁZAT: A fogantyú behajtásakor ügyeljen arra, hogy ne csípje be a kezét vagy ujjait.

MEGJEGYZÉS: Győződjön meg róla, hogy a nyíl a legelőlső helyzetben lévő jelzésre mutat.

5. Húzza meg a marokanyákat.

▶ **Ábra42:** 1. Marokanya

6. Helyezze a gépet az ábrán látható módon.

▶ **Ábra43**

⚠VIGYÁZAT: Gondoskodjon róla, hogy a gépet beltéren tárolja, és sima felületre helyezi. Ellenkező esetben a gép leeshet és sérülést okozhat.

A gépet úgy is tárolhatja, hogy behajtsa a fogantyút.

⚠VIGYÁZAT: A karok kinyitása előtt tartsa erősen a felső fogantyút. Ellenkező esetben a fogantyú leeshet és sérülést okozhat.

1. Nyissa ki a karokat a felső fogantyút megtartva.

▶ **Ábra44:** 1. Kar

2. Hajtsa le a felső fogantyút.

▶ **Ábra45:** 1. Felső fogantyú

A fűnyírókés cseréje

⚠VIGYÁZAT: A fűnyírókés cseréjekor ne használjon a szabványos imbiszkulcson kívül más. Egy másik csavarkulcs használata túlzott meghúzáshoz vagy meglazításhoz vezethet, ami sérülést okozhat.

1. Húzza ki a hosszabbító kábelt, és állítsa fel a gépet. (Lásd az utasításokat a tárolására vonatkozóan.)

2. Helyezze a csapszeget a furatba, majd tartsa egy kézzel a fogantyút, és lazítsa meg a csavarkulccsal a csavart az órajárással ellentétes irányba.

▶ **Ábra46:** 1. Kés 2. Villáskulcs 3. Csapszeg

3. Távolítsa el a fűnyírókést.

ELM3320 esetén

Távolítsa el sorban a fejescsavart, a csavaralátétet, a fűnyírókést és a bilincset.

▶ **Ábra47:** 1. Bilincset 2. Fűnyírókés 3. Csavaralátét 4. Fejescsavart

ELM3720/ELM4120 esetén

Távolítsa el sorban a fejescsavart, a csavaralátétet, a fűnyírókést, a bilincset és a távtartót.

▶ **Ábra48:** 1. Távtartó 2. Bilincset 3. Fűnyírókés 4. Csavaralátét 5. Fejescsavart

4. Tegyen be egy új fűnyírókést, majd dugja be a csapszeget a furatba, majd tartsa egy kézzel a fogantyút, és szorosan húzza meg a csavarkulccsal a csavart az órajárási irányba.

▶ **Ábra49:** 1. Fűnyírókés 2. Villáskulcs 3. Csapszeg

Hosszabbító kábel

Csak kültéri használatra szánt, átlagos rendeltetésű PVC vagy gumi hosszabbító kábelt használjon, amelynek keresztmetszete legalább 1,5 mm².

Használat előtt és alatt ellenőrizze a tápkábel és a hosszabbító kábelt, hogy nem sérültek-e. Ne használja az eszközt sérült, vagy hibás kábelrel. Tartsa távol a hosszabbító kábelt a vágóelemektől. Amennyiben a kábel használat során megsérült, haladéktalanul húzza ki a hálózatból. Ne nyúljon a kábelhez, mielőtt kihúzta volna a hálózatból.

OPCIONÁLIS KIEGÉSZÍTŐK

⚠VIGYÁZAT: Ezen kiegészítőket és tartozékokat javasoljuk a kézikönyvben ismertetett Makita szerszámhoz. Bármilyen más kiegészítő vagy tartozék használata a személyi sérülés kockázatával jár. A kiegészítőt vagy tartozékokat csak rendeltetészerűen használja.

Ha bármilyen segítségre vagy további információkra van szüksége ezekkel a tartozékokkal kapcsolatban, keresse fel a helyi Makita Szervizközpontot.

• Fűnyírókés

MEGJEGYZÉS: A listán felsorolt néhány kiegészítő megtalálható az eszköz csomagolásában standard kiegészítőként. Ezek országonként eltérőek lehetnek.

TECHNICKÉ ŠPECIFIKÁCIE

Model:	ELM3320	ELM3720	ELM4120	
Otáčky naprázdno	3 400 min ⁻¹			
Výška kosenia	20 mm – 55 mm		20 mm – 75 mm	
Šírka strihania	330 mm	370 mm	410 mm	
Číslo dielu náhradnej čepele kosačky	YA00000731	YA00000732	YA00000733	
Rozmery (D x Š x V)	Počas prevádzky (s lapačom trávy)	D: 1 040 mm až 1 230 mm Š: 380 mm V: 870 mm až 1 110 mm	D: 1 140 mm až 1 330 mm Š: 415 mm V: 890 mm až 1 120 mm	D: 1 255 mm až 1 470 mm Š: 460 mm V: 955 mm až 1 230 mm
	Pri uskladnení (bez lapača trávy)	350 mm x 380 mm x 1 090 mm	335 mm x 415 mm x 1 090 mm	395 mm x 460 mm x 1 220 mm
Hmotnosť netto	10,2 kg	11,6 kg	14,5 kg	
Trieda bezpečnosti	II/II			

- Vzhľadom na neustály výskum a vývoj podliehajú technické údaje uvedené v tomto dokumente zmenám bez upozornenia.
- Technické údaje sa môžu pre rôzne krajiny líšiť.
- Hmotnosť sa môže meniť v závislosti od namontovaného príslušenstva. Najľahšia a najťažšia kombinácia v súlade s postupom EPTA 01/2014 je uvedená v tabuľke.

Symbols

Nižšie sú uvedené symboly, s ktorými sa môžete stretnúť pri použití nástroja. Je dôležité, aby ste poznali ich význam, skôr než začnete pracovať.



Práci venujte veľkú pozornosť a dávajte pozor.
Prečítajte si návod na obsluhu.



DVOJITÁ IZOLÁCIA



Nebezpečenstvo; dávajte pozor na odhodené predmety.
Vzdialenosť medzi náradím a okolostojacími osobami musí byť aspoň 15 m.



Predtým, ako sa dotknete akýchkoľvek komponentov zariadenia, počkajte, kým sa úplne zastavia.



Dbajte na to, aby sa ohybný napájací kábel nedostal do kontaktu s reznými čepeľami.



Dávajte pozor na ostré čepele. Čepele sa otáčajú aj po vypnutí motora. Pred údržbou alebo v prípade poškodenia kábla odpojte zástrčku od zariadenia.



Hlučnosť zariadenia nie je vyššia ako 96 dB.



Nepribližujte sa rukami a nohami.
Nepoužívajte kosačku, ak chrániče a nastavce nie sú na správnom mieste.



Len pre štáty EÚ
Nevyhadzujte elektrické zariadenia do komunálneho odpadu! Podľa európskej smernice o nakladaní s použitými elektrickými a elektronickými zariadeniami a zodpovedajúcich ustanovení právnych predpisov jednotlivých krajín je nutné elektrické zariadenia po skončení ich životnosti triediť a odovzdať na zberné miesto vykonávajúce environmentálne kompatibilné recyklovanie.

Určené použitie

Zariadenie je určené na kosenie trávy. Nepoužívajte toto zariadenie na žiadne iné účely. Pri používaní zariadenia na iné ako stanovené účely by mohlo dôjsť k nebezpečným situáciám.

Napájanie

Nástroj sa môže pripojiť len k zodpovedajúcemu zdroju s napätím rovnakým, aké je uvedené na typovom štítku, a môže pracovať len s jednofázovým striedavým napätím. Nástroj je vybavený dvojito izoláciou, a preto sa môže používať pri zapojení do zásuviek bez uzemňovacieho vodiča.

Ak je napájací kábel poškodený, musí ho vymeniť výrobca alebo jeho zástupca, aby ste sa vyhlížili nebezpečenstvu.

Pre verejné nízkonapäťové rozvodné systémy s napätím 220 V až 250 V

Prepínanie elektrického zariadenia spôsobuje kolísanie napätia. Prevádzka tohto zariadenia za nepriaznivých podmienok v sieti môže mať nepriaznivý vplyv na prevádzku iných zariadení. Pri impedancii siete rovnjej alebo nižšej než 0,425 ohmov (pre ELM3720) alebo 0,427 ohmov (pre ELM4120) možno predpokladať, že nenastanú žiadne negatívne účinky. Sieťová zástrčka použitá pre toto zariadenie musí byť chránená poistkou alebo ochranným ističom s charakteristikami pomalého vypínania.

Hluk

Platná norma : EN60335

Model	Úroveň akustického tlaku		Hladina akustického výkonu	
	L _{PA} (dB(A))	Odhýlka K (dB (A))	L _{PA} (dB(A))	Odhýlka K (dB (A))
ELM3320	83	3	94	2
ELM3720	83	3	94	1
ELM4120	84	3	93	2

POZNÁMKA: Deklarovaná hodnota emisii hluku bola meraná podľa štandardnej skúšobnej metódy a môže sa použiť na porovnanie jedného nástroja s druhým.

POZNÁMKA: Deklarovaná hodnota emisii hluku sa môže použiť aj na predbežné posúdenie vystavenia ich účinkom.

VAROVANIE: Používajte ochranu sluchu.

VAROVANIE: Emisie hluku sa môžu počas skutočného používania elektrického nástroja odlišovať od deklarovanej hodnoty, a to v závislosti od spôsobov používania náradia a najmä typu spracúvaného obrobku.

VAROVANIE: Nezabudnite označiť bezpečnostné opatrenia s cieľom chrániť obsluhu, a to tie, ktoré sa zakladajú na odhade vystavenia účinkom v rámci reálnych podmienok používania (berúc do úvahy všetky súčasti prevádzkového cyklu, ako sú doby, kedy je nástroj vypnutý a kedy beží bez zaťaženia, ako dodatok k dobe zapnutia).

Vibrácie

Celková hodnota vibrácií (trojosový vektorový súčet) určená podľa štandardu EN60335:

Model ELM3320

Emisie vibrácií (a_n) : 2,5 m/s² alebo menej

Odhýlka (K): 1,5 m/s²

Model ELM3720

Emisie vibrácií (a_n) : 2,5 m/s² alebo menej

Odhýlka (K): 1,5 m/s²

Model ELM4120

Emisie vibrácií (a_n) : 2,5 m/s² alebo menej

Odhýlka (K): 1,5 m/s²

POZNÁMKA: Deklarovaná celková hodnota vibrácií bola meraná podľa štandardnej skúšobnej metódy a môže sa použiť na porovnanie jedného nástroja s druhým.

POZNÁMKA: Deklarovaná celková hodnota vibrácií sa môže použiť aj na predbežné posúdenie vystavenia ich účinkom.

VAROVANIE: Emisie vibrácií sa môžu počas skutočného používania elektrického nástroja odlišovať od deklarovanej hodnoty, a to v závislosti od spôsobov používania náradia a najmä typu spracúvaného obrobku.

VAROVANIE: Nezabudnite označiť bezpečnostné opatrenia s cieľom chrániť obsluhu, a to tie, ktoré sa zakladajú na odhade vystavenia účinkom v rámci reálnych podmienok používania (berúc do úvahy všetky súčasti prevádzkového cyklu, ako sú doby, kedy je nástroj vypnutý a kedy beží bez zaťaženia, ako dodatok k dobe zapnutia).

Vyhlasenie o zhode ES

Len pre krajiny Európy

Vyhlasenie o zhode ES sa nachádza v prílohe A tohto návodu na obsluhu.

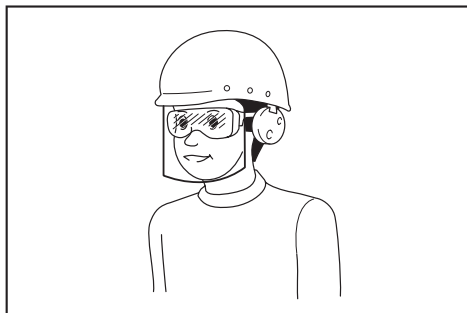
BEZPEČNOSTNÉ VAROVANIA

DÔLEŽITÉ BEZPEČNOSTNÉ POKYNY

VAROVANIE: Prečítajte si všetky bezpečnostné výstrahy a pokyny. Nedodržanie výstrah a pokynov môže mať za následok zasiahnutie elektrickým prúdom, požiar alebo vážne zranenie.

Všetky výstrahy a pokyny si odložte pre prípad potreby v budúcnosti.

1. Treba dohliadať na to, aby sa s kosačkou nehrali deti.
2. Kosačku nikdy nedovoľte používať deťom ani ľuďom, ktorí neboli oboznámení s týmito pokynmi na jej používanie. Miestne nariadenia môžu obmedzovať vek obsluhy.
3. Nikdy nepracujte s kosačkou, ak stoja v blízkosti iné osoby, najmä deti, prípadne zvieratá.
4. Uvedomte si, že obsluha alebo používateľ sú zodpovední za úrazy alebo ohrozenie ostatných ľudí a za škody na ich majetku.
5. Počas používania kosačky vždy používajte pevnú obuv a dlhé nohavice. Kosačku neobsluhujte, pokiaľ ste bosí alebo máte sandále. Nenoste odev ani šperky, ktoré sú voľné alebo majú visiace šnúrky či upínacie prvky. Môžu ich zachytiť pohyblivé súčasti zariadenia.
6. Pri používaní elektrického náradia vždy používajte ochranné okuliare, aby ste zabránili zraneniu očí. Ochranné okuliare musia spĺňať požiadavky noriem ANSI Z87.1 v USA, EN 166 v Európe alebo AS/NZS 1336 v Austrálii a na Novom Zélande. V Austrálii a na Novom Zélande zákon vyžaduje aj nosenie ochranného štítu na tvár.



Zamestnávateľ je zodpovedný nariadiť osobám, ktoré používajú tento nástroj a ktoré sa nachádzajú v bezprostrednej blízkosti, používať prislúšné bezpečnostné ochranné prostriedky.

7. Pred použitím skontrolujte, či sa na napájacom kábli neprejavujú známky poškodenia alebo starnutia. Ak sa kábel pri používaní poškodí, ihneď ho odpojte od napájania. Nedotýkajte sa kábla pred odpojením napájania. Nepoužívajte kosačku, ak je kábel poškodený alebo opotrebovaný.

8. S kosačkou pracujte len pri dennom svetle alebo pri dobrom umelom osvetlení.
9. Vyhňte sa používaniu kosačky v mokrej tráve.
10. Kosačku nikdy nepoužívajte počas dažďa.
11. Kosačku držte vždy pevne za rukoväť.
12. Na svahoch vždy zaujmite stabilný postoj.
13. Kráčajte, nikdy nebežte.
14. Pri dvíhaní alebo držaní kosačky sa nedotýkajte odhalených rezných čepeľí ani rezných hrán.
15. Fyzický stav – Kosačku nepoužívajte, pokiaľ ste pod vplyvom drog, alkoholu alebo akýchkoľvek liekov.
16. Zabráňte styku rúk a nôh s rotačnými čepeľami. Pozor – Po vypnutí kosačky sa čepele ešte otáčajú.
17. Používajte len originálne čepele špecifikované v tomto návode.
18. Pred prácou dôkladne skontrolujte, či sa na čepeľiach nenachádzajú praskliny alebo iné poškodenie. Prasknuté alebo poškodené čepele okamžite vymeňte.
19. Pred kosením zabezpečte, aby sa v pracovnej oblasti nenachádzali žiadne osoby. Ak ktokoľvek vstúpi do pracovnej oblasti, zastavte kosačku.
20. Pred kosením odstráňte z pracovnej oblasti cudzie predmety, ako sú kamene, drôty, fľaše, kosti a veľké úlomky, aby ste predišli zraneniu osôb a poškodeniu kosačky.
21. Ak spozorujete niečo nezvyčajné, okamžite zastavte prácu. Vypnite kosačku a odpojte napájací kábel od napájania. Následne kosačku skontrolujte.
22. Nikdy sa nesnažte vykonať nastavenie výšky kolies, keď je kosačka v chode.
23. Pred prechádzaním cez cestičky, chodníky, cesty a akékoľvek plochy so štrkovým krytom uvoľnite spínaciu páčku a počkajte, kým sa čepele nezastavia. Napájací kábel odpojte od napájania aj v prípade, ak kosačku opúšťate, ak chcete zdvihnúť alebo odstrániť niečo na svojej trase pohybu, alebo z akéhokoľvek iného dôvodu, ktorý by mohol narušiť vykonávanie vašej činnosti.
24. Predmety zachytené čepeľou kosačky môžu osobám spôsobiť vážne poranenia. Pred každým kosením by ste mali trávnik vždy dôkladne skontrolovať a odstrániť z neho všetky predmety.
25. Ak kosačka narazí na cudzí predmet, postupujte podľa nasledujúcich krokov:
 - Zastavte kosačku, uvoľnite spínaciu páčku a počkajte, kým sa čepele úplne nezastavia.
 - Odpojte napájací kábel od napájania.
 - Dôkladne skontrolujte kosačku, či nedošlo k jej poškodeniu.
 - Ak je čepeľ akokoľvek poškodená, vymeňte ju. Pred opätovným naštartovaním alebo pred pokračovaním v prevádzkovaní kosačky odstráňte každé poškodenie.
26. Pravidelne kontrolujte, či nedošlo k opotrebovaniu alebo poškodeniu lapača trávy. Pred uskladnením vyprázdnite lapač trávy. Opotrebovaný lapač trávy z bezpečnostných dôvodov vymeňte za náhradný lapač od výrobcu.

27. Pri pohybe dozadu alebo pri ťahaní kosačky smerom k vám dávajte maximálny pozor.
28. Zastavte čepele pred sklopením kosačky z dôvodu presunu cez iné ako trávnaté miesta a pred prenášaním kosačky na miesto kosenia a z neho.
29. Kosačku nikdy neprevádzkujte, ak má poškodené chrániče alebo štíty, alebo bez bezpečnostných zariadení, napríklad vychýľovačov a/alebo lapača trávy, namontovaných na svojom mieste.
30. Podľa pokynov kosačku opatrne zapnite; nohy majte v dostatočnej vzdialenosti od čepele(i).
31. Pri zapínaní motora kosačku nenakláňajte, okrem prípadov, keď sa naklonenie vyžaduje pri naštartovaní. V takomto prípade kosačku nenakláňajte viac, než je potrebné, a zdvihnite iba časť, ktorá smeruje od obsluhy. Pred vrátením zariadenia na zem vždy dajte obe ruky do prevádzkovej polohy.
32. Kosačku neštartujte, pokiaľ stojíte pred vyprázdňovacím otvorom.
33. Nestrkajte ruky ani nohy do blízkosti rotujúcich častí ani pod ne. Nikdy nestojte pred vyprázdňovacím otvorom.
34. Kosačku neprenášajte, ak je zapnutá.
35. Zastavte kosačku a odpojte zástrčku od zásuvky. Počkajte, kým sa všetky pohyblivé časti úplne nezastavia
 - vždy, keď opúšťate kosačku,
 - pred odstránením upchatia alebo čistením zaneseného žľabu,
 - pred kontrolou, čistením alebo prácou na kosačke,
 - po náraze na cudzí predmet. Pred opätovným naštartovaním a prevádzkou kosačky skontroluje, či nedošlo k poškodeniu kosačky, a vykonajte opravy.
36. Ak kosačka začne nadmerne vibrovať (okamžite skontrolujte)
 - zistite poškodenie,
 - vymeňte alebo opravte všetky poškodené diely,
 - skontrolujte a utiahnite všetky uvoľnené diely.
37. Počas nastavovania kosačky dávajte pozor, aby sa vám prsty nezachytili medzi pohybujuce sa čepele a pevné diely kosačky.
38. Koste priečne po svahu; nikdy nekoste smerom nadol a nahor. Pri zmene smeru na svahoch dávajte maximálny pozor. Nekoste nadmerne strmé svahy.
39. Neumývajte hadicou; zabráňte, aby sa do motora a elektrických prvkov dostala voda.
40. V pravidelných intervaloch kontrolujte správnosť utiahnutia upevňovacej skrutky čepele.
41. Všetky matice, svorníky a skrutky musia byť utiahnuté, aby ste mali istotu, že zariadenie je v bezpečnom pracovnom stave.
42. Dávajte pozor, pretože otočenie jednej čepele môže spôsobiť otočenie ostatných čepelí.
43. Pred uskladnením nechajte kosačku vychladnúť.
44. Pri vykonávaní údržby čepelí dávajte pozor, pretože aj pri vypnutí napájacieho zdroja sa čepele môžu naďalej otáčať.
45. Opotrebené alebo poškodené časti z bezpečnostných dôvodov vymeňte. Používajte len originálne náhradné diely a príslušenstvo.
46. Servis elektrického nástroja nechajte vykonať kvalifikovaným pracovníkom s použitím výhradne identických náhradných dielov. Tým zaistíte zachovanie bezpečnosti elektrického nástroja.
47. Pri mazaní a výmene príslušenstva sa riadte príslušnými pokynmi.
48. Rukoväte udržiavajte suché, čisté, bez znečistenia olejom alebo mazivom.
49. Skontrolujte, či napätie a frekvencia elektrického napájania zodpovedajú parametrom uvedeným na typovom štítku. Odporúčame používať istič ovládaný zvyškovým prúdom (istič uzemňovacieho okruhu) s aktivačným prúdom 30 mA alebo menším, alebo prúdový chránič pred zemným skratom.
50. Toto zariadenie môžu používať deti staršie ako 8 rokov a osoby so zníženými fyzickými, zmyslovými a duševnými schopnosťami alebo nedostatočnou skúsenosťou, ak pracujú pod dohľadom alebo na základe vydaných pokynov o používaní náradia bezpečným spôsobom a chápu možné riziká. Deti bez dozoru nesmú vykonávať čistenie a údržbu.

Zvyškové riziká

Aj keď používate tento výrobok v súlade so všetkými bezpečnostnými požiadavkami, vždy pretrvávajú možné riziká poranenia a poškodenia. V súvislosti s konštrukciou a vzhľadom tohto výrobku môžu vzniknúť nasledujúce nebezpečenstvá.

1. Újmy na zdraví spôsobené vibráciami, ak sa výrobok používa dlhodobo alebo ak sa s ním vhodne nemanipuluje a nie je náležite udržiavaný.
2. Poranenia a poškodenie majetku v dôsledku zlomených použitých nástrojov alebo náhleho nárazu do skrytých predmetov pri používaní.
3. Nebezpečenstvo poranenia a poškodenia majetku spôsobené letiacimi predmetmi.

VAROVANIE: Tento výrobok pri používaní vytvára elektromagnetické pole. Za určitých okolností môže toto pole rušiť aktívne alebo pasívne medicínske implantáty. Aby sa znížilo riziko vážneho alebo smrteľného úrazu, odporúčame osobám s medicínskymi implantátmi, aby sa pred používaním tohto výrobku poradili s lekárom a výrobcom medicínskeho implantátu.

TIETO POKYNY USCHOVAJTE.

VAROVANIE: NIKDY nepripustíte, aby seba-vedomie a dobrá znalosť výrobku (získané opakovaným používaním) nahradili presné dodržiavanie bezpečnostných pravidiel pre náradie.

NESPRÁVNE POUŽÍVANIE alebo nedodržiavanie bezpečnostných zásad uvedených v tomto návode môže viesť k vážnemu zraneniu.

ZOSTAVENIE

⚠ POZOR: Skôr než začnete na nástroji robiť akékoľvek práce, vždy sa predtým presvedčte, že je vypnutý a vytiahnutý zo zásuvky.

Montáž rukoväte

1. Vezmite hornú rukoväť z hlavnej jednotky zariadenia.
▶ **Obr.1:** 1. Horná rukoväť
2. Uvoľnite vrúbkované matice.
▶ **Obr.2:** 1. Vrúbkovaná matica
3. Rukoväť na vonkajšej strane trochu rozšírte a potom nadvihnite.
▶ **Obr.3:** 1. Rukoväť
4. Nastavte výšku rukoväte zarovnaním šípky so značkou.
▶ **Obr.4:** 1. Vrúbkovaná matica 2. Značka 3. Šípka
5. Dotiahnite vrúbkované matice.
▶ **Obr.5:** 1. Vrúbkovaná matica
6. Pripojte hornú rukoväť vložiením páčok z vonkajšej strany rukoväte a dotiahnutím matíc pomocou kľúča zaistite rukoväť.
▶ **Obr.6:** 1. Páčka 2. Matica
7. Káble zaistite pomocou svoriek podľa znázornenia na obrázku.
▶ **Obr.7:** 1. Svorka

Inštalácia lapača trávy

1. Potrubia lapača trávy pripevnite k rámu.
▶ **Obr.8:** 1. Tyč 2. Rám
2. Otvorte zadný kryt.
▶ **Obr.9:** 1. Zadný kryt
3. Háčikom upevnite lapač trávy na zadnú stranu zariadenia.
▶ **Obr.10**

Ak chcete lapač trávy odmontovať, vykonajte postup inštalácie v opačnom poradí.

Pripojenie predlžovacieho kábla

⚠ VAROVANIE: Pri pripájaní predlžovacieho kábla k elektrickej zásuvke zariadenia sa uistite, že spínacia páčka je uvoľnená a že kábel je odpojený od elektrického napájania.

⚠ VAROVANIE: Predlžovací kábel nepripájajte ani neodpájajte mokrymi rukami.

UPOZORNENIE: Pri pripájaní predlžovacieho kábla k elektrickej zásuvke zariadenia dbajte na to, aby ste kábel úplne zasunuli do zásuvky.

Pri pripájaní predlžovacieho kábla ho zaveste na háčik na rukoväti podľa obrázku, aby ste predišli neúmyselnému odpojeniu z dôvodu nadmerného ťahu na zástrčku.

- ▶ **Obr.11:** 1. Háčik 2. Predlžovací kábel

OPIS FUNKCIÍ

Nastavenie výšky kosenia

⚠ VAROVANIE: Pred nastavovaním výšky kosenia odpojte predlžovací kábel od elektrickej siete a skontrolujte, či sa čepele úplne prestali pohybovať.

⚠ VAROVANIE: Pri nastavovaní výšky kosenia nikdy nekladte ruku ani nohu pod telo kosačky.

Výšku kosenia môžete nastavovať v rozsahu 20 mm až 55 mm (pre modely ELM3320/ELM3720) alebo 20 mm až 75 mm (pre model ELM4120). Výšku kosenia možno nastaviť v 3 krokoch (pre modely ELM3320/ELM3720) alebo 7 krokoch (pre model ELM4120).

Pre modely ELM3320/ELM3720

- ▶ **Obr.12:** 1. Nastavovacia páčka

Pre model ELM4120

- ▶ **Obr.13:** 1. Nastavovacia páčka

Jednou rukou podržte rukoväť a druhou rukou pohnite nastavovaciu páčkou.

- ▶ **Obr.14:** 1. Nastavovacia páčka

POZNÁMKA: Aby ste dosiahli požadovanú výšku, vyskúšajte si kosenie trávy na menej nápadnom mieste.

Zapínanie

⚠ VAROVANIE: Pred pripojením nástroja do zásuvky vždy skontrolujte, či spínacia páčka funguje správne a po uvoľnení sa vráti do polohy „OFF“ (VYP).

⚠ VAROVANIE: Z dôvodu vašej bezpečnosti je toto zariadenie vybavené tlačidlom odomknutia, ktoré zabráni neúmyselnému zapnutiu zariadenia. Nikdy nepoužívajte zariadenie, ak sa spustí pri stlačení len spínacej páčky bez stlačenia tlačidla odomknutia. Požiadajte miestne servisné stredisko spoločnosti Makita o opravu.

⚠ VAROVANIE: Nikdy nedeaktivujte funkciu zamknutia ani neprelepujte tlačidlo odomknutia páskou.

UPOZORNENIE: Spínaciu páčku nestláčajte nasilu bez stlačenia tlačidla odomknutia. Spínač sa môže poškodiť.

Ak chcete spustiť zariadenie, stlačte tlačidlo odomknutia a potom stlačte spínaciu páčku. Ak chcete zariadenie zastaviť, spínaciu páčku uvoľnite.

- ▶ **Obr.15:** 1. Spínacia páčka 2. Tlačidlo odomknutia

Indikátor hladiny lapača trávy

Indikátor hladiny lapača trávy sa počas kosenia otvorí, ak lapač trávy nie je plný. Ak je lapač trávy plný, indikátor hladiny sa počas kosenia zatvorí. Ak je lapač trávy plný, pred začatím kosenia ho vyprázdňte.

► **Obr.16:** 1. Indikátor hladiny

► **Obr.17:** 1. Indikátor hladiny

Nastavenie výšky rukoväte

Výšku rukoväte možno nastaviť na troch úrovniach. Podržte rukoväť, povoľte vrúbkované matice, potom nastavte výšku rukoväte zarovnaním šípky s jednou zo značiek a dotiahnite vrúbkované matice.

► **Obr.18:** 1. Vrúbkovaná matica 2. Značka 3. Šípka

Systém ochrany motora (nadprúdové relé)

VAROVANIE: Ak sa zariadenie počas prevádzky náhle zastaví, uvoľnite spiniacu páčku a odpojte predlžovací kábel. Inak sa môže zariadenie znova rozbehnúť a spôsobiť zranenie.

POZOR: Pred odstránením predmetu, ktorý blokuje čepeľ, si nasadte rukavice a odpojte predlžovací kábel od elektrickej zásuvky.

Ak sa pokosená tráva alebo nečistoty zasekávajú vo vnútri hlavného telesa, zariadenie sa automaticky vypne z dôvodu ochrany motora (nadprúdové relé). V takom prípade odpojte predlžovací kábel od elektrickej zásuvky, odstráňte materiál spôsobujúci zaseknutie a pred opätovným zapnutím nechajte zariadenie niekoľko minút vychladnúť.

POZNÁMKA: Nadprúdové relé sa môže aktivovať, keď sa mokrá alebo dlhá tráva zachytí vo vnútri hlavného telesa.

PREVÁDZKA

Kosenie

VAROVANIE: Pred kosením vždy odstráňte konáre a kamene z miesta kosenia. Z plochy, ktorú budete kosiť, okrem toho vopred odstráňte burinu.

► **Obr.19**

VAROVANIE: Pri práci s kosačkou vždy používajte ochranný štít na tvár alebo ochranné okuliare s bočnými štítmami.

POZOR: Ak sa pokosená tráva alebo cudzí predmet zasekne v telese kosačky, vypnite napájanie a odpojte predlžovací kábel od elektrickej zásuvky. Pred odstránením trávy alebo cudzieho predmetu si nasadte rukavice.

POZOR: Pred používaním stroja si nezabudnite nasadiť kôš na trávu.

UPOZORNENIE: Toto zariadenie používajte iba na kosenie trávy. Týmto zariadením nekoste burinu.

Počas kosenia držte rukoväť pevne obidvomi rukami.

► **Obr.20**

Orientačná rýchlosť kosenia je približne jeden meter za štyri sekundy.

► **Obr.21**

S kosením začnite v blízkosti elektrickej zásuvky, aby predlžovací kábel nepredstavoval prekážku.

► **Obr.22:** 1. Elektrická zásuvka 2. Predlžovací kábel

Nedovoľte, aby predlžovací kábel prechádzal popod zariadením, alebo aby sa pod ním zamotal.

► **Obr.23**

► **Obr.24**

Čiary na oboch stranách hlavného telesa sú orientačné značky pre šírku kosenia. Kosenie vykonávajte postupne v pásoch, pričom ako orientačnú pomôcku použite línie. Aby bol trávnik rovnomerne pokosený, prekryte predchádzajúci pokosený pás o jednu polovicu až jednu tretinu.

► **Obr.25:** 1. Šírka kosenia 2. Prekrývajúca časť 3. Čiara

Smer kosenia zakaždým zmeňte, aby sa na tráve nevytvoril vzor zrna, ktorý vzniká pri kosení iba jedným smerom.

► **Obr.26**

Pravidelne kontrolujte množstvo pokosenej trávy v lapači. Lapač vyprázdňte ešte pred jeho naplnením. Pred každou pravidelnou kontrolou nezabudnite vypnúť zariadenie.

POZNÁMKA: Používanie kosačky s plným lapačom trávy bráni plynulému otáčaniu čepele, pričom dochádza k zvýšenému zaťaženiu motora, ktorý sa môže poškodiť.

Kosenie trávniku s vysokou trávou

Vysokú trávu sa nesnažte strihať na jeden záber. Namiesto toho koste trávnik v niekoľkých krokoch. Jednotlivé kosenia vykonávajte s jedno- alebo dvojdiňovou prestávkou, kým trávnik nie je rovnomerne pokosený.

► **Obr.27**

POZNÁMKA: Radikálne skosenie dlhšej trávy na krátky rozmer môže spôsobiť odumretie trávy. Okrem toho sa pokosená tráva môže zaseknúť vnútri tela kosačky.

Kosenie okrajov

Pri kosení na okraji sa pohybujte so zariadením pozdĺž okraja.

► **Obr.28**

ÚDRŽBA

VAROVANIE: Pred vykonávaním údržby odpojte predlžovací kábel od elektrickej siete a skontrolujte, či sa čepele úplne prestali pohybovať.

POZOR: Pri vykonávaní údržby vždy používajte rukavice.

Ak chcete udržať BEZPEČNOSŤ a BEZPORUCHOVOSŤ výrobku, prenechajte opravy, údržbu a nastavenie na autorizované alebo továrenské servisné centrá Makita, ktoré používajú len náhradné diely značky Makita.

Údržba po kosení

Po kosení utrite zariadenie suchou handričkou alebo handričkou namočenou v mydlovej vode. Použite tiež mäkkú kefku na odstránenie kúskov trávy a nečistôt z čepeľ.

UPOZORNENIE: Nepoužívajte benzín, riedidlo, alkohol ani podobné látky. Mohlo by to spôsobiť zmenu farby, deformácie alebo praskliny.

Skladovanie

1. Odpojte predlžovací kábel.
▶ **Obr.29:** 1. Predlžovací kábel
2. Otvorte zadný kryt a potom vyberte lapač trávy.
▶ **Obr.30:** 1. Zadný kryt 2. Lapač trávy
3. Uchopte rukoväť, uvoľnite vrúbkované matice, potom rukoväť mierne rozťahnite smerom von a potom ju sklopte.
▶ **Obr.31:** 1. Vrúbkovaná matica 2. Rukoväť 3. Značka 4. Šípka

POZOR: Pri sklápaní rukoväte dávajte pozor, aby ste si neprivreli ruku alebo prsty.

POZNÁMKA: Dbajte na to, aby šípka označovala značku v najprednejšej polohe.

4. Dotiahnite vrúbkované matice.
▶ **Obr.32:** 1. Vrúbkovaná matica
5. Otvorte páčky a umiestnite kábel nad páčku.
▶ **Obr.33:** 1. Páčka 2. Kábel
6. Vráťte páčky do polovičnej pozície podľa obrázka.
▶ **Obr.34:** 1. Páčka
7. Sklopte rukoväť.
▶ **Obr.35:** 1. Rukoväť
8. Zariadenie uložte podľa obrázka.
▶ **Obr.36**

POZOR: Toto zariadenie skladujte iba v interiéri uložené na rovnom povrchu. Inak môže zariadenie spadnúť a spôsobiť zranenie.

Zariadenie môžete uskladniť aj nasledovne.

1. Odpojte predlžovací kábel.
▶ **Obr.37:** 1. Predlžovací kábel
2. Otvorte zadný kryt a potom vyberte lapač trávy.
▶ **Obr.38:** 1. Zadný kryt 2. Lapač trávy
3. Výšku kosenia nastavte pomocou nastavovacej páčky.
Pre modely ELM3320/ELM3720:
Výšku kosenia nastavte na „1“.
▶ **Obr.39:** 1. Nastavovacia páčka
Pre model ELM4120:
Výšku kosenia nastavte na „2“.
▶ **Obr.40:** 1. Nastavovacia páčka
4. Uchopte rukoväť, uvoľnite vrúbkované matice, potom rukoväť mierne rozťahnite smerom von a potom ju sklopte.
▶ **Obr.41:** 1. Vrúbkovaná matica 2. Rukoväť 3. Značka 4. Šípka

POZOR: Pri sklápaní rukoväte dávajte pozor, aby ste si neprivreli ruku alebo prsty.

POZNÁMKA: Dbajte na to, aby šípka označovala značku v najprednejšej polohe.

5. Dotiahnite vrúbkované matice.
▶ **Obr.42:** 1. Vrúbkovaná matica
6. Zariadenie uložte podľa obrázka.
▶ **Obr.43**

POZOR: Toto zariadenie skladujte iba v interiéri uložené na rovnom povrchu. Inak môže zariadenie spadnúť a spôsobiť zranenie.

Zariadenie tiež môžete uskladniť sklopením rukoväte.

POZOR: Pred otvorením páčok pevne uchopte hornú rukoväť. Inak môže rukoväť spadnúť a spôsobiť zranenie.

1. Držte hornú rukoväť a súčasne otvorte páčky.
▶ **Obr.44:** 1. Páčka
2. Sklopte hornú rukoväť.
▶ **Obr.45:** 1. Horná rukoväť

Výmena čepele kosačky

POZOR: Pri výmene čepele kosačky nepoužívajte žiadny iný kľúč ako štandardný šesťhranný kľúč. Použitie iného kľúča môže viesť k nadmernému alebo nedostatočnému dotiahnutiu, čo môže viesť k poraneniu.

1. Odpojte predlžovací kábel a postavte zariadenie vzpriamene. (Pozrite si pokyny pre skladovanie.)
2. Vložte kolík do otvoru a potom podržte rukoväť jednou rukou a kľúčom uvoľnite skrutku proti smeru hodinových ručičiek.
▶ **Obr.46:** 1. Čepeľ 2. Kľúč 3. Kolík

3. Demontujte čepeľ kosačky.

Pre model ELM3320

Odstráňte skrutku, podložku, čepeľ kosačky a konzolu v uvedenom poradí.

► **Obr.47:** 1. Držiak 2. Čepeľ kosačky 3. Podložka
4. Skrutka

Pre modely ELM3720/ELM4120

Odstráňte skrutku, podložku, čepeľ kosačky, konzolu a rozperu v uvedenom poradí.

► **Obr.48:** 1. Rozpera 2. Držiak 3. Čepeľ kosačky
4. Podložka 5. Skrutka

4. Pripojte novú čepeľ kosačky, potom vložte kolík do otvoru, podržte rukoväť jednou rukou a kľúčom pevne dotiahnite skrutku v smere hodinových ručičiek.

► **Obr.49:** 1. Čepeľ kosačky 2. Kľúč 3. Kolík

Predlžovací kábel

Môžete používať iba predlžovacie káble určené na vonkajšie použitie, PVC alebo gumené káble bežnej hrúbky s prierezom minimálne 1,5 mm².

Pred používaním a počas neho kontrolujte, či napájací a predlžovací kábel nie sú poškodené. Nepoužívajte zariadenie, ak je kábel poškodený alebo opotrebovaný. Kosiacimi prvkami sa nepribližujte k predlžovaciemu káblu. Ak sa kábel pri používaní poškodí, ihneď ho odpojte od napájania. Nedotýkajte sa kábla pred odpojením napájania.

VOLITEĽNÉ PRÍSLUŠENSTVO

⚠ POZOR: Pre váš nástroj Makita, opísaný v tomto návode, doporučujeme používať toto príslušenstvo a nástavce. Pri použití iného príslušenstva či nástavcov môže hroziť nebezpečenstvo zranenia osôb. Príslušenstvo a nástavce sa môžu používať len na účely pre ne stanovené.

Ak potrebujete bližšie informácie týkajúce sa tohoto príslušenstva, obráťte sa na vaše miestne servisné stredisko firmy Makita.

- Čepeľ kosačky

POZNÁMKA: Niektoré položky zo zoznamu môžu byť súčasťou balenia nástrojov vo forme štandardného príslušenstva. Rozsah týchto položiek môže byť v každej krajine odlišný.

SPECIFIKACE

Model:	ELM3320	ELM3720	ELM4120	
Otáčky bez zatížení	3 400 min ⁻¹			
Výška sečení	20 mm – 55 mm		20 mm – 75 mm	
Šířka řezu	330 mm	370 mm	410 mm	
Číslo dílu náhradního sekacího nože	YA00000731	YA00000732	YA00000733	
Rozměry (D × Š × V)	Během provozu (s košem na trávu)	D: 1 040 mm až 1 230 mm Š: 380 mm V: 870 mm až 1 110 mm	D: 1 140 mm až 1 330 mm Š: 415 mm V: 890 mm až 1 120 mm	D: 1 255 mm až 1 470 mm Š: 460 mm V: 955 mm až 1 230 mm
	Při skladování (bez koše na trávu)	350 mm × 380 mm × 1 090 mm	335 mm × 415 mm × 1 090 mm	395 mm × 460 mm × 1 220 mm
Hmotnost netto	10,2 kg	11,6 kg	14,5 kg	
Třída bezpečnosti	Ⓜ/II			

- Vzhledem k neustálému výzkumu a vývoji podléhají zde uvedené specifikace změnám bez upozornění.
- Specifikace se mohou pro různé země lišit.
- Hmotnost se může lišit v závislosti na příslušenství. Nejlehčí a nejtěžší kombinace, dle EPTA-Procedure 01/2014, jsou uvedeny v tabulce níže.

Symbols

Níže jsou uvedeny symboly, se kterými se můžete při použití náradí setkat. Je důležité, abyste dříve, než s ním začnete pracovat, pochopili jejich význam.



Budte obzvláště opatrní a dávejte pozor. Přečtěte si návod k obsluze.



DVOJITÁ IZOLACE



Nebezpečí – pozor na odmrštěné předměty. Vzdálenost mezi zařízení a přihlížejícími osobami musí být alespoň 15 m.



Před dotykem počkejte, dokud se všechny součásti zcela nezastaví.



Udržujte ohebný napájecí kabel mimo dosah nožů.



Dávejte pozor, nože jsou ostré. Nože se po vypnutí motoru nadále otáčejí. Před údržbou nebo když je kabel poškozený vyjměte zástrčku ze stroje.



Hluk stroje není více než 96 dB.



Nohy a ruce udržujte v bezpečné vzdálenosti. Nepracujte se sekačkou, nejsou-li na ní správně upevněny kryty a příslušenství.



Pouze pro země EU
Elektrické nářadí nevyhazujte do komunálního odpadu! Podle evropské směrnice o odpadních elektrických a elektronických zařízeních včetně její implementace v souladu s národními zákony musí být elektrické zařízení po skončení životnosti shromážděno odděleně a předáno do ekologického recyklačního zařízení.

Účel použití

Stroj je určen k sečení trávy. Nepoužívejte stroj k jakémukoli jinému účelu. Použití stroje k účelu, ke kterému není určen, může mít nebezpečné následky.

Napájení

Nářadí smí být připojeno pouze k napájení se stejným napětím, jaké je uvedeno na výrobním štítku, a může být provozováno pouze v jednofázovém napájecím okruhu se střídavým napětím. Nářadí je vybaveno dvojitou izolací a může být tedy připojeno i k zásuvkám bez zemního vodiče. Je-li kabel poškozený, nechte jej vyměnit výrobcem nebo jeho servisním zástupcem, aby se předešlo nebezpečí úrazu.

Pro veřejné nízkonapěťové rozvodné systémy s napětím mezi 220 V a 250 V

Při spínání elektrických přístrojů může dojít ke kolísání napětí. Provozování tohoto zařízení za nepříznivého stavu elektrické sítě může mít negativní vliv na provoz ostatních zařízení. Je-li impedance v síti rovna nebo menší než 0,425 ohmů (u nářadí ELM3720) nebo 0,427 ohmů (u nářadí ELM4120), lze předpokládat, že se nebudou projevovat žádné negativní účinky. Síťová zásuvka použitá pro toto zařízení musí být chráněna pojistkou nebo ochranným jističem s pomalou vypínací charakteristikou.

Hlučnost

Příslušná norma : EN60335

Model	Hladina akustického tlaku		Hladina akustického výkonu	
	L _{PA} (dB(A))	Nejistota K (dB (A))	L _{PA} (dB(A))	Nejistota K (dB (A))
ELM3320	83	3	94	2
ELM3720	83	3	94	1
ELM4120	84	3	93	2

POZNÁMKA: Celková(é) hodnota(y) emisí hluku byla(y) změřena(y) v souladu se standardní zkušební metodou a dá se použít k porovnání nářadí mezi sebou.

POZNÁMKA: Hodnotu(y) deklarovaných emisí hluku lze také použít k předběžnému posouzení míry expozice vibracím.

VAROVÁNÍ: Používejte ochranu sluchu.

VAROVÁNÍ: Emise hluku se při používání elektrického nářadí ve skutečnosti mohou od deklarované(y) hodnot(y) lišit v závislosti na způsobech použití nářadí.

VAROVÁNÍ: Nezapomeňte stanovit bezpečnostní opatření na ochranu obsluhy podle odhadu expozice ve skutečných podmínkách použití. (Vezměte přitom v úvahu všechny části provozního cyklu, tj. kromě doby zátěže například doby, kdy je nářadí vypnuté a kdy běží naprázdno.)

Vibrace

Celková hodnota vibrací (vektorový součet tří os) určená podle normy EN60335:

Model ELM3320

Emise vibrací (a_h): 2,5 m/s² nebo méně
Nejistota (K): 1,5 m/s²

Model ELM3720

Emise vibrací (a_h): 2,5 m/s² nebo méně
Nejistota (K): 1,5 m/s²

Model ELM4120

Emise vibrací (a_h): 2,5 m/s² nebo méně
Nejistota (K): 1,5 m/s²

POZNÁMKA: Celková(é) hodnota(y) deklarovaných vibrací byla(y) změřena(y) v souladu se standardní zkušební metodou a dá se použít k porovnání nářadí mezi sebou.

POZNÁMKA: Celkovou(é) hodnotu(y) deklarovaných vibrací lze také použít k předběžnému posouzení míry expozice vibracím.

VAROVÁNÍ: Emise vibrací se při používání elektrického nářadí ve skutečnosti mohou od deklarované(y) hodnot(y) lišit v závislosti na způsobech použití nářadí.

VAROVÁNÍ: Nezapomeňte stanovit bezpečnostní opatření na ochranu obsluhy podle odhadu expozice ve skutečných podmínkách použití. (Vezměte přitom v úvahu všechny části provozního cyklu, tj. kromě doby zátěže například doby, kdy je nářadí vypnuté a kdy běží naprázdno.)

Prohlášení ES o shodě

Pouze pro evropské země

Prohlášení ES o shodě je obsaženo v Příloze A tohoto návodu k obsluze.

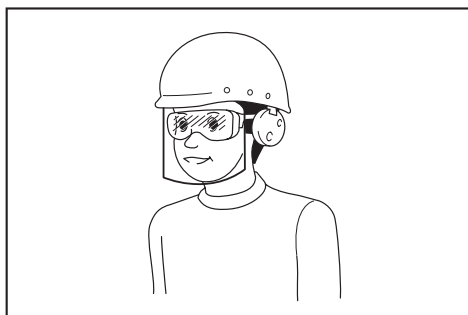
BEZPEČNOSTNÍ VÝSTRAHY

DŮLEŽITÉ BEZPEČNOSTNÍ POKYNY

VAROVÁNÍ: Přečtěte si veškerá bezpečnostní upozornění a všechny pokyny. Zanedbání upozornění a pokynů může mít za následek úraz elektrickým proudem, vznik požáru nebo vážné zranění.

Všechna upozornění a pokyny si uschovejte pro budoucí potřebu.

1. Děti musí být pod dohledem, aby si se sekačkou nehrály.
2. Nikdy nedovolte, aby sekačku obsluhovaly děti nebo osoby neobeznámené s těmito pokyny. Věk obsluhy může být omezen místními předpisy.
3. Se sekačkou nikdy nepracujte v blízkosti osob, zvláště pak dětí, ani domácích zvířat.
4. Pamatujte, že za nehody nebo ohrožení jiných osob a jejich majetku odpovídá obsluha či uživatel.
5. Při obsluze sekačky vždy noste pevnou obuv a dlouhé kalhoty. Se sekačkou nepracujte naboso ani v otevřené obuvi. Nenoste volný oděv a šperky ani oděv či šperky s visícími třásněmi či šňůrkami. Mohlo by dojít k zachycení pohyblivými díly.
6. Při používání elektrického nářadí vždy noste ochranné brýle určené k ochraně zraku. Ochranné brýle musí splňovat požadavky normy ANSI Z87.1 v USA, EN 166 v Evropě nebo AS/NZS 1336 v Austrálii a na Novém Zélandu. V Austrálii a na Novém Zélandu je dle zákona též nutné nosit obličejový štít chránící obličej.



Za vynucení používání vhodných ochranných pracovních prostředků obsluhou nářadí či jinými osobami v bezprostřední blízkosti pracoviště odpovídá zaměstnavatel.

7. Před použitím zkontrolujte napájení a napájecí kabel, zda nejeví známky poškození či stárnutí. Jestli se kabel během používání poškodí, odpojte jej okamžitě ze zdroje napájení. Nedotýkejte se kabelu, dokud jej neodpojíte. Je-li kabel poškozen nebo opotřeben, nepoužívejte sekačku.
8. Se sekačkou pracujte pouze za denního světla nebo při dostatečném umělém osvětlení.
9. Se sekačkou nepracujte v mokré trávě.
10. Se sekačkou nikdy nepracujte v dešti.
11. Držadlo držte vždy pevně.
12. Při práci ve svahu vždy dávejte pozor, kam šlapete.
13. Kráčejte – nikdy neběhejte.
14. Při zvedání či přidržování sekačku nikdy nadržte za odkryté části sekacího nože či jeho ostří.
15. Fyzický stav: Se sekačkou nepracujte pod vlivem omamných látek, alkoholu či léků.
16. Nepřibližujte ruce ani nohy k rotujícím nožům. Upozornění: Nože po vypnutí sekačky dobíhají.
17. Používejte pouze originální nože určené výrobcem v této příručce.
18. Před zahájením provozu pečlivě zkontrolujte nože, zda nevykazují známky trhlin nebo poškození. Popraskaný nebo poškozený nůž okamžitě vyměňte.
19. Před sekáním se ujistěte, že se v oblasti nepohybují žádné osoby. Jestliže do pracovní oblasti někdo vstoupí, sekačku vypněte.
20. Před sekáním odstraňte z terénu cizorodé předměty, jako jsou kameny, dráty, lahve, kosti a větší klacky, abyste zamezili zranění osob či poškození sekačky.
21. Pokud si během provozu povšimnete něčeho neobvyklého, okamžitě přerušte práci. Vypněte sekačku a odpojte napájecí kabel z přívodu napájení. Poté sekačku prohlédněte.
22. Nikdy se nepokoušejte seřizovat výšku kol u spuštěné sekačky.
23. Před přeježděním příjezdových cest, chodníků, silnic či šterkem pokrytých ploch uvolněte spínací páčku a počkejte, až se rotující nůž zastaví. Nezapomeňte také odpojit kabel vždy, když se od sekačky vzdálíte kvůli zvednutí či odstranění překážky nebo kvůli jakémukoli jinému důvodu, jenž by mohl odvádět vaši pozornost od práce.
24. Předměty odmrštěné sekacím nožem sekačky mohou způsobit vážná zranění. Před každým sekáním je vždy třeba trávník pečlivě prohlédnout a odstranit z něj veškeré předměty.
25. Jestliže sekačka narazí na předmět, postupujte následovně:
 - Vypněte sekačku, uvolněte spínací páčku a vyčkejte, až se nůž zcela zastaví.
 - Odpojte napájecí kabel ze zdroje napájení.
 - Sekačku důkladně prohlédněte, zda není poškozená.
 - Pokud došlo k jakémukoli poškození nože, vyměňte jej. Před opětovným spuštěním a pokračováním v práci opravte poškozené části sekačky.
26. Často kontrolujte koš na trávu, zda není opotřebený či poškozený. Před uložením sekačky se vždy ujistěte, zda je koš na trávu vyprázdněný. Opotřebený koš na trávu nahraďte z důvodu bezpečnosti novým.
27. Při couvání či tahání sekačky směrem k sobě buďte mimořádně opatrní.
28. Při nutnosti naklonění sekačky z důvodu přeježdění jiných než travnatých ploch a při transportu sekačky na pracoviště a z pracoviště vypněte pohon nože (nožů).
29. Nikdy nepracujte se sekačkou s vadnými kryty či štíty nebo s chybějícími bezpečnostními prvky, například bez krytu vyhozovacího kanálu nebo bez koše na trávu.
30. Sekačku startujte opatrně podle pokynů a s nohama v dostatečné vzdálenosti od nože (nožů).
31. Při zapínání motoru sekačku nenaklánějte s výjimkou případu, kdy je nakloněná sekačky při spouštění nutnosti. V takové situaci sekačku nenaklánějte více, než je nezbytně nutné, a nadzvedněte pouze část směrem od obsluhy. Ujistěte se, že před vrácením nářadí na zem jsou obě ruce v provozní poloze.
32. Sekačku nespouštějte, jestliže stojíte před otvorem vyhozovacího kanálu.
33. Ruce ani nohy nepřibližujte do blízkosti rotujících dílů nebo pod ně. Vždy se držte mimo dosah vyhozovacího kanálu.
34. Sekačku netransportujte, pokud je spuštěná.
35. Zastavte sekačku a odpojte ji ze zásuvky. Ujistěte se, zda se všechny pohyblivé díly zcela zastavily:
 - kdykoli se od sekačky vzdálíte,
 - před odstraňováním překážek nebo při čištění upcaneého vyhozovacího kanálu,
 - před kontrolou, čištěním či prováděním prací na sekačce,
 - po nárazu na předmět. Sekačku zkontrolujte, zda není poškozená, a před opětovným spuštěním a obnovením práce proveďte opravu.
36. Jestliže sekačka začne neobvykle vibrovat (provedte okamžitou kontrolu):
 - zkontrolujte, zda nedošlo k poškození,
 - vyměňte nebo opravte všechny poškozené díly,
 - zkontrolujte a dotáhněte všechny uvolněné díly.

37. Při seřizování sekačky dejte pozor, aby nedošlo k zachycení prstů mezi pohyblivými noži a pevnými částmi sekačky.
38. Sekajte po vrstevnicích svahu, nikdy nahoru a dolů. Při změně směru ve svahu buďte mimořádně opatrní. Nesekejte v příliš strmých svazích.
39. Sekačku neoplachujte hadicí – zamezte vniknutí vody do motoru a elektrických připojení.
40. Pravidelně kontrolujte správné dotažení upevňovacího šroubu nože.
41. Všechny matice, šrouby a vruty udržujte dotažené, abyste zajistili bezpečný provoz sekačky.
42. Dávejte pozor, protože otočení jednoho nože může způsobit otočení dalších nožů.
43. Před skladováním nechte sekačku vždy vychladnout.
44. Při údržbě nože dávejte pozor, neboť nůž se může pohybovat i přesto, že je zdroj napájení vypnutý.
45. V rámci zajištění bezpečnosti vyměňte opotřebené nebo poškozené díly. Používejte pouze originální náhradní díly a příslušenství.
46. Vaše elektrické nářadí si nechávejte opravovat kvalifikovaným pracovníkem s použitím výhradně identických náhradních dílů. Tím zajistíte zachování bezpečnosti elektrického nářadí.
47. Dodržujte pokyny pro mazání a výměnu příslušenství.
48. Držadla udržujte suchá, čistá a chraňte je před olejem a mazacím tukem.
49. Zkontrolujte, že napětí a frekvence zdroje napájení odpovídají specifikacím udaným na identifikačním štítku. Doporučujeme používat pojistku lhanou zbytkovým proudem (jistič selhání uzemnění) se spouštěcím proudem 30 mA nebo méně, nebo ochranný jistič proti úniku uzemnění.
50. Tento přístroj mohou používat děti od 8 let a osoby s omezenými fyzickými, smyslovými či duševními schopnostmi nebo s nedostatečnými zkušenostmi a znalostmi, jestliže jsou pod dohledem nebo pokud byly ohledně bezpečného používání přístroje poučeny a rozumí souvisejícím rizikům. Čištění a uživatelskou údržbu nesmějí provádět děti bez dozoru.

Zbytková rizika

- I v případech, že používáte tento výrobek v souladu se všemi bezpečnostními požadavky, přetrvávají potenciální rizika úrazu a poškození přístroje. Ve spojení s konstrukcí a designem tohoto výrobku mohou vznikat následující nebezpečí.
1. Újma na zdraví plynoucí z emisí vibrací, pokud je výrobek používán po dlouhou dobu, nebo pokud není jeho správa odpovídající nebo výrobek není řádně udržovaný.
 2. Úrazy a poškození majetku v důsledku prasknutí aplikačních nástrojů nebo náhlého nárazu skrytých předmětů během používání.
 3. Nebezpečí úrazu a poškození majetku způsobené odletujícími předměty.

VAROVÁNÍ: Tento výrobek vytváří za provozu elektromagnetické pole. Uvedené pole může za určitých okolností rušit aktivní nebo pasivní lékařské implantáty. Aby se snížilo riziko vážného nebo i smrtelného úrazu, musí se osoby s lékařským implantátem před použitím tohoto přístroje poradit se svým lékařem a s výrobcem lékařského implantátu.

TYTO POKYNY USCHOVEJTE.

VAROVÁNÍ: NEDOVOLTE, aby pohodnost nebo pocit znalosti výrobku (získaný na základě předchozího použití) vedl k zanedbání dodržování bezpečnostních pravidel platných pro tento výrobek.

NESPRÁVNÉ POUŽÍVÁNÍ či nedodržení bezpečnostních pravidel uvedených v tomto návodu k obsluze může způsobit vážné zranění.

SESTAVENÍ

UPOZORNĚNÍ: Než začnete na nářadí provádět jakékoli práce, vždy se předtím přesvědčte, že je vypnuté a vytažené ze zásuvky.

Sestavení držadla

1. Odpojte horní držadlo z hlavní jednotky stroje.
► **Obr.1:** 1. Horní držadlo
2. Povolte matice pro utahování prsty.
► **Obr.2:** 1. Matice pro utahování prsty
3. Nepatrně roztáhněte držadlo směrem ven a poté držadlo zvedněte.
► **Obr.3:** 1. Držadlo
4. Upravte výšku držadla srovnáním šipky se značkou.
► **Obr.4:** 1. Matice pro utahování prsty 2. Značka 3. Šipka
5. Utáhněte matice pro utahování prsty.
► **Obr.5:** 1. Matice pro utahování prsty
6. Připojte horní držadlo zasunutím páček z vnější strany držadla, poté utáhněte matice pomocí klíče a zajistěte tak držadlo pevně.
► **Obr.6:** 1. Páčka 2. Matice
7. Zajistěte kabely pomocí svorek dle obrázků.
► **Obr.7:** 1. Svorka

Nasazení koše na trávu

1. Připojte trubky koše na trávu k rámu.
► **Obr.8:** 1. Trubka 2. Rám
2. Otevřete zadní kryt.
► **Obr.9:** 1. Zadní kryt
3. Zahákněte koš na trávu na zadní straně stroje.
► **Obr.10**

Při demontáži koše na trávu použijte opačný postup montáže.

Připojení prodlužovacího kabelu

VAROVÁNÍ: Během připojování prodlužovacího kabelu k zástrčce na stroji se ujistěte, že je spínací páčka vypuštěna a kabel je vypojen z přívodu napájení.

VAROVÁNÍ: Nezapojujte ani nevypojujte prodlužovací kabel s mokřýma rukama.

POZOR: Když připojujete prodlužovací kabel k napájecí zástrčce stroje, dbejte na to, aby byla zcela zasunuta do zásuvky.

Při připojování prodlužovacího kabelu jej zahákněte pomocí háčku na držadle dle obrázku, aby nedošlo k nechtěnému odpojení při nadměrném zatažení za zástrčku.

► **Obr.11:** 1. Háček 2. Prodlužovací kabel

POPIS FUNKCÍ

Nastavení výšky sečení

VAROVÁNÍ: Před úpravou výšky sekání odpojte napájecí kabel ze zdroje napájení a zkontrolujte, zda se nože zcela zastavily.

VAROVÁNÍ: Při nastavování výšky sečení nikdy nevkládejte ruce či nohy pod sekačku.

Výšku sekání může upravit v rozsahu od 20 mm do 55 mm (pro ELM3320/ELM3720) nebo 20 mm až 75 mm (pro ELM4120). Výška sekání může být nastavena ve 3 úrovních (pro ELM3320/ELM3720) nebo 7 úrovních (pro ELM4120).

Pro ELM3320/ELM3720

► **Obr.12:** 1. Seřizovací páčka

Pro model ELM4120

► **Obr.13:** 1. Seřizovací páčka

Podržte držadlo jednou rukou a poté posuňte seřizovací páčku druhou rukou.

► **Obr.14:** 1. Seřizovací páčka

POZNÁMKA: K dosažení požadované výšky vyzkoušejte sečení na odlehlejší ploše.

Používání spouště

VAROVÁNÍ: Před připojením nářadí do zásuvky vždy zkontrolujte, zda spínací páčka funguje správně a po uvolnění se vrací do vypnuté polohy.

VAROVÁNÍ: K zajištění bezpečnosti je stroj vybaven odjišťovacími tlačítkem zamezujícím neúmyslnému spuštění. Nikdy nepoužívejte stroj, který lze spustit stisknutím spínací páčky bez použití odjišťovacího tlačítka. Požádejte o opravu v místním servisním středisku firmy Makita.

VAROVÁNÍ: Je zakázáno deaktivovat funkci zámku nebo zalepit odjišťovací tlačítko páskou.

POZOR: Nemačkejte spínací páčku silou bez stisknutí odjišťovacího tlačítka. Spínač se může porouchat.

Stroj spustíte stisknutím odjišťovacího tlačítka a spínací páčky. Pokud chcete stroj vypnout, uvolněte spínací páčku.

► **Obr.15:** 1. Spínací páčka 2. Odjišťovací tlačítko

Indikátor hladiny koše na trávu

Indikátor hladiny koše na trávu je během sekání otevřený, jestliže není koš plný. Když je koš na trávu plný, indikátor hladiny se zavře. Je-li koš na trávu plný, tak jej před dalším sekáním vyprázdněte.

► **Obr.16:** 1. Indikátor hladiny

► **Obr.17:** 1. Indikátor hladiny

Nastavení výšky rukojetí

Výšku držadla lze upravit ve třech úrovních. Podržte držadlo a povolte matice, poté upravte výšku držadla srovnáním šipky s jednou ze značek, a nakonec matice znovu utáhněte.

► **Obr.18:** 1. Matice pro utahování prsty 2. Značka 3. Šipka

Systém ochrany motoru (přepětové relé)

VAROVÁNÍ: Jestliže se stroj během provozu náhle zastaví, uvolněte spínací páčku a odpojte prodlužovací kabel. Jinak může dojít k náhlému opětovnému spuštění stroje a zranění.

UPOZORNĚNÍ: Než odstraní předmět, který blokuje nože, nasadte si rukavice a odpojte prodlužovací kabel z elektrické zásuvky.

Jestliže vnitřek stroje blokuje posekaná tráva nebo hlína, stroj se automaticky zastaví, aby tím ochránil motoru (přepětové relé). V takovém případě odpojte prodlužovací kabel ze zásuvky, poté odstraňte materiál způsobující blokadu a pak nechte stroj několik minut vychladnout, než jej znovu zapnete.

POZNÁMKA: Přepětové relé může být aktivováno, když se mokrá nebo dlouhá tráva zachytí uvnitř hlavní části stroje.

PRÁCE S NÁŘADÍM

Sekání

VAROVÁNÍ: Před sekáním odstraňte ze sekané plochy větve a kameny. Ze sekané plochy také předem odstraňte plevel.

► **Obr.19**

VAROVÁNÍ: Při práci se sekačkou vždy noste ochranné brýle nebo bezpečnostní brýle s postranními kryty.

UPOZORNĚNÍ: Jestliže vnitřek sekačky blokuje posekaná tráva nebo cizí předmět, nejprve odpojte napájení a poté odpojte prodlužovací kabel z elektrické zásuvky. Před odebráním trávy nebo cizího předmětu se ujistěte, že máte na ruku rukavice.

UPOZORNĚNÍ: Při provozu stroje se ujistěte, že jste nainstalovali koš na trávu.

POZOR: Stroj používejte pouze k sekání trávy. Nepoužívejte stroj k vyžínání plevelů.

Při sekání pevně chyťte držadlo oběma rukama.

► Obr.20

Doporučená rychlost sekání je zhruba jeden metr za čtyři sekundy.

► Obr.21

Začněte sekat poblíž elektrické zásuvky a dávejte pozor, aby se prodlužovací kabel nepřipletl do sekání.

► Obr.22: 1. Elektrická zásuvka 2. Prodlužovací kabel

Dávejte pozor, aby prodlužovací kabel neprocházel pod strojem nebo se do něj nezamotal.

► Obr.23

► Obr.24

Linky po obou stranách hlavní části stroje jsou vodičky pro šířku sekání. Podle nich sekejte trávu v pruzích. Chcete-li rovný trávník, překryjte předchozí pruh o jednu polovinu až třetinu.

► Obr.25: 1. Šířka sekání 2. Oblast překrytí 3. Linka

Abyste nedocházelo k vytváření vzorců na trávníku, měňte pokaždé směr sekání.

► Obr.26

Často kontrolujte množství posekané trávy v koši na trávu. Koš vysypávejte dříve, než bude zcela plný. Před každou pravidelnou kontrolou zastavte stroj.

POZNÁMKA: Používání sekačky se zaplněným košem na trávu zamezuje plynulému otáčení nože a vystavuje motor nadměrnému zatížení, jež může vyvolat poruchu.

Sekání vysoké trávy

Vysokou trávu se nepokoušejte sekat najednou. Místo toho sekejte trávu po krocích. Mezi sekáními ponechte den nebo dva, dokud není tráva rovnoměrně krátká.

► Obr.27

POZNÁMKA: Posekání vysoké trávy na nízkou výšku najednou může způsobit odumření trávy. Posečená tráva se také může uvnitř hlavní jednotky zablokovat.

Sekání okrajů

Když sekáte kolem okrajů, dávejte pozor, aby se stroj pohyboval přesně podél nich.

► Obr.28

ÚDRŽBA

VAROVÁNÍ: Před prováděním údržby odpojte prodlužovací kabel ze zásuvky a ujistěte se, že nože jsou zcela zastaveny.

UPOZORNĚNÍ: Během provádění údržby vždy noste rukavice.

K zachování BEZPEČNOSTI a SPOLEHLIVOSTI výrobku musí být opravy a veškerá další údržba či seřizování prováděny autorizovanými nebo továrními servisními středisky společnosti Makita s využitím náhradních dílů Makita.

Údržba po sekání

Po sekání otřete stroj pomocí suchého hadříku nebo hadříku namočeného do mýdlové vody. Kromě toho použijte měkký kartáček a odstraňte s ním zbytky trávy a hlíny z nožů.

POZOR: Nikdy nepoužívejte benzín, benzen, ředidlo, alkohol či podobné prostředky. Mohlo by tak dojít ke změnám barvy, deformacím či vzniku prasklin.

Skladování

1. Odpojte prodlužovací kabel.

► Obr.29: 1. Prodlužovací kabel

2. Otevřete zadní kryt a poté vyjměte koš na trávu.

► Obr.30: 1. Zadní kryt 2. Koš na trávu

3. Zatímco držíte držadlo, uvolněte křídlové matice, poté držadlo trochu rozšířte a poté jej sklopte.

► Obr.31: 1. Matice pro utahování prsty 2. Držadlo 3. Značka 4. Šipka

UPOZORNĚNÍ: Když sklápíte držadlo, dávejte pozor, abyste si nepřiskřípli prsty nebo ruku.

POZNÁMKA: Ujistěte se, že šipka ukazuje na značku co nejvíce vpředu.

4. Utáhněte matice pro utahování prsty.

► Obr.32: 1. Matice pro utahování prsty

5. Otevřete páčky a potom umístěte kabel nad páčku.

► Obr.33: 1. Páčka 2. Kabel

6. Páčky vraťte do mezipolohy, jak je znázorněno na obrázku.

► Obr.34: 1. Páčka

7. Sklopte držadlo.

► Obr.35: 1. Držadlo

8. Uložte stroj dle obrázku.

► Obr.36

UPOZORNĚNÍ: Přístroj vždy skladujte uvnitř a umístěte ho na rovný povrch. Jinak se může převrhnout a způsobit zranění.

Stroj můžete skladovat následovně.

1. Odpojte prodlužovací kabel.
▶ **Obr.37:** 1. Prodlužovací kabel
2. Otevřete zadní kryt a poté vyjměte koš na trávu.
▶ **Obr.38:** 1. Zadní kryt 2. Koš na trávu
3. Nastavte výšku sekání pomocí seřizovací páčky.

Pro ELM3320/ELM3720:

Nastavte výšku sekání na „1“.

- ▶ **Obr.39:** 1. Seřizovací páčka

Pro ELM4120:

Nastavte výšku sekání na „2“.

- ▶ **Obr.40:** 1. Seřizovací páčka

4. Zatímco držíte držadlo, uvolněte křídlové matice, poté držadlo trochu rozšířte a poté jej sklopte.
▶ **Obr.41:** 1. Matice pro utahování prsty 2. Držadlo 3. Značka 4. Šipka

⚠ UPOZORNĚNÍ: Když sklápíte držadlo, dávejte pozor, abyste si nepřiskřípli prsty nebo ruku.

POZNÁMKA: Ujistěte se, že šipka ukazuje na značku co nejvíce vpředu.

5. Utáhněte matice pro utahování prsty.
▶ **Obr.42:** 1. Matice pro utahování prsty

6. Uložte stroj dle obrázku.
▶ **Obr.43**

⚠ UPOZORNĚNÍ: Přístroj vždy skladujte uvnitř a umístěte ho na rovný povrch. Jinak se může převrhnout a způsobit zranění.

Stroj lze také uložit sklopením držadla.

⚠ UPOZORNĚNÍ: Před otevřením páček podržte pevně držadlo. Jinak může držadlo spadnout a způsobit zranění.

1. Podržte držadlo a otevřete páčky.
▶ **Obr.44:** 1. Páčka

2. Sklopte horní držadlo.
▶ **Obr.45:** 1. Horní držadlo

Výměna sekacího nože

⚠ UPOZORNĚNÍ: Při výměně sekacího nože nepoužívejte žádný jiný klíč než standardní šestistranný klíč. Použití jiného klíče může vést k přetažení nebo uvolnění, a to dále ke zranění.

1. Odpojte prodlužovací kabel a postavte stroj. (Viz pokyny ke skladování.)
2. Vložte kolík do otvoru a poté přidržte držadlo jednou rukou a klíčem povolte šroub proti směru hodinových ručiček.
▶ **Obr.46:** 1. Čepel 2. Klíč 3. Kolík

3. Vyjměte sekací nůž.

Pro model ELM3320

Vyjměte postupně šroub, podložku, sekací nůž a držák.

- ▶ **Obr.47:** 1. Držák 2. Sekací nůž 3. Podložka 4. Šroub

Pro ELM3720/ELM4120

Vyjměte postupně šroub, podložku, sekací nůž, držák a rozpěrku.

- ▶ **Obr.48:** 1. Rozpěrka 2. Držák 3. Sekací nůž 4. Podložka 5. Šroub

4. Namontujte nový sekací nůž, poté zasuňte kolík do otvoru a jednou rukou přidržte držadlo, pak klíčem pevně utáhněte šroub po směru hodinových ručiček.
▶ **Obr.49:** 1. sekací nůž 2. Klíč 3. Kolík

Prodlužovací kabel

Používejte pouze prodlužovací kabel určený k použití venku, gumový či PVC, pro běžnou zátěž a s příčným řezem minimálně 1,5 mm².

Před a po použití zkontrolujte napájecí zásuvku a prodlužovací kabel, zda nejsou poškozené. Je-li kabel poškozen nebo opotřeben, nepoužívejte stroj. Udržujte prodlužovací kabel daleko od sekacích prvků. Je-li kabel poškozen během používání, okamžitě jej odpojte od napájení. Nedotýkejte se kabelu, dokud jej neodpojíte.

VOLITELNÉ PŘÍSLUŠENSTVÍ

⚠ UPOZORNĚNÍ: Pro nářadí Makita popsané v tomto návodu doporučujeme používat následující příslušenství a nástavce. Při použití jiného příslušenství či nástavců může hrozit nebezpečí zranění osob. Příslušenství lze používat pouze pro stanovené účely.

Potřebujete-li bližší informace ohledně tohoto příslušenství, obraťte se na místní servisní středisko společnosti Makita.

- Sekací nůž

POZNÁMKA: Některé položky seznamu mohou být k nářadí přibaleny jako standardní příslušenství. Přibalené příslušenství se může v různých zemích lišit.

TEHNIČNI PODATKI

Model:	ELM3320	ELM3720	ELM4120	
Hitrost brez obremenitve	3.400 min ⁻¹			
Višina za rezanje	20 mm – 55 mm		20 mm – 75 mm	
Širina reza	330 mm	370 mm	410 mm	
Številka dela nadomestnega rezila kosilnice	YA00000731	YA00000732	YA00000733	
Mere (D x Š x V)	Med uporabo (s košem za travo)	D: 1.040 mm do 1.230 mm Š: 380 mm V: 870 mm do 1.110 mm	D: 1.140 mm do 1.330 mm Š: 415 mm V: 890 mm do 1.120 mm	D: 1.255 mm do 1.470 mm Š: 460 mm V: 955 mm do 1.230 mm
	V času shranjevanja (brez koša za travo)	350 mm x 380 mm x 1.090 mm	335 mm x 415 mm x 1.090 mm	395 mm x 460 mm x 1.220 mm
Neto teža	10,2 kg	11,6 kg	14,5 kg	
Razred zaščite	□/II			

- Ker nenehno opravljamo raziskave in razvijamo svoje izdelke, se lahko tehnični podatki v tem dokumentu spremenijo brez obvestila.
- Tehnični podatki se lahko razlikujejo od države do države.
- Teža se lahko razlikuje glede na priključke. Najlažja in najtežja kombinacija v skladu s postopkom EPTA 01/2014 sta prikazani v preglednici.

Simboli

Naslednji simboli se uporabljajo v povezavi s strojem. Pred uporabo izdelka se obvezno seznanite z njihovim pomenom.



Potrebna je posebna pozornost in previdnost.
Preberite navodila za uporabo.



DVOJNA IZOLACIJA



Nevarnost; pazite se letečih predmetov.
Razdalja med orodjem in osebami v bližini mora biti najmanj 15 m.



Počakajte, da se vsi deli naprave popolnoma ustavijo, preden se jih dotaknete.



Pazite, da napajalni kabel ne pride v stik z rezili.



Pazite na ostra rezila. Ko izkjučite motor, se rezila še vedno vrtijo. Odstranite vtič iz naprave pred vzdrževanjem ali če je kabel poškodovan.



Naprava ni glasnejša od 96 dB.



Ne približujte rok in nog. Ne uporabljajte kosilnice, če ščitniki in priključki niso pravilno nameščeni.



Samo za države EU
Električnega orodja ne odlagajte skupaj z gospodinjstskimi odpadki! V skladu z Evropsko direktivo o odpadni električni in elektronski opremi in z njenim izvajanjem v skladu z državno zakonodajo se mora električna oprema s pretečeno življenjsko dobo zbirati ločeno in dostaviti v okoljsko združljivo ustanovo za recikliranje.

Predvidena uporaba

Naprava je namenjena košnji trave. Ne uporabljajte naprave v druge namene. Uporaba naprave, ki ni v skladu z namensko uporabo, je nevarna.

Priključitev na električno omrežje

Napetost električnega omrežja se mora ujemati s podatki na tipski ploščici. Stroj deluje samo z enofazno izmenično napetostjo. Stroj je po evropskih smernicah dvojno zaščitno izoliran, zato se ga lahko priključi tudi v vtičnice brez ozemljitvenega voda. Če je napajalni kabel poškodovan, ga mora zamenjati proizvajalec ali njegov serviser, da prepreči nevarnost.

Za javna nizkonapetostna električna omrežja z napetostjo med 220 V in 250 V

Vklopi in izklopi električnih aparatov povzročajo nihanje električne napetosti. Delovanje te naprave v neugodnih omrežnih pogojih ima lahko neželene učinke na delovanje drugih priključenih naprav. Pri impedanci omrežja, ki je enaka ali manjša od 0,425 ohma (za ELM3720) ali 0,427 ohma (za ELM4120), je možno predpostaviti, da ne bo negativnih učinkov. Omrežna vtičnica, na katero bo priključena ta naprava, mora biti zaščitena z varovalko ali s tokovnim zaščitnim stikalom s počasno karakteristiko proženja.

Hrup

Veljavni standard : EN60335

Model	Raven zvočnega tlaka		Raven zvočne moči	
	L _{PA} (dB(A))	Odstopanje K (dB(A))	L _{PA} (dB(A))	Odstopanje K (dB(A))
ELM3320	83	3	94	2
ELM3720	83	3	94	1
ELM4120	84	3	93	2

OPOMBA: Navedene vrednosti oddajanja hrupa so bile izmerjene v skladu s standardnimi metodami testiranja in se lahko uporabljajo za primerjavo orodij.

OPOMBA: Navedene vrednosti oddajanja hrupa se lahko uporabljajo tudi pri predhodni oceni izpostavljenosti.

⚠ OPOZORILO: Uporabljajte zaščito za sluh.

⚠ OPOZORILO: Oddajanje hrupa med dejansko uporabo električnega orodja se lahko razlikuje od navedenih vrednosti, odvisno od načina uporabe orodja in predvsem vrste obdelovanca.

⚠ OPOZORILO: Upravljalavec mora za lastno zaščito poznati varnostne ukrepe, ki temeljijo na oceni izpostavljenosti v dejanskih pogojih uporabe (poleg časa proženja je treba upoštevati celoten delovni cikel, vključno s časom, ko je orodje izklopljeno, in časom, ko deluje v prostem teku).

Vibracije

Skupne vrednosti vibracij (vektorska vsota treh osi) v skladu z EN60335:

Model ELM3320

Emisije vibracij (a_{h1}): 2,5 m/s² ali manj
Odstopanje (K): 1,5 m/s²

Model ELM3720

Emisije vibracij (a_{h1}): 2,5 m/s² ali manj
Odstopanje (K): 1,5 m/s²

Model ELM4120

Emisije vibracij (a_{h1}): 2,5 m/s² ali manj
Odstopanje (K): 1,5 m/s²

OPOMBA: Navedene skupne vrednosti oddajanja vibracij so bile izmerjene v skladu s standardnimi metodami testiranja in se lahko uporabljajo za primerjavo orodij.

OPOMBA: Navedene skupne vrednosti oddajanja vibracij se lahko uporabljajo tudi pri predhodni oceni izpostavljenosti.

⚠ OPOZORILO: Oddajanje vibracij med dejansko uporabo električnega orodja se lahko razlikuje od navedenih vrednosti, odvisno od načina uporabe orodja in predvsem vrste obdelovanca.

⚠ OPOZORILO: Upravljalavec mora za lastno zaščito poznati varnostne ukrepe, ki temeljijo na oceni izpostavljenosti v dejanskih pogojih uporabe (poleg časa proženja je treba upoštevati celoten delovni cikel, vključno s časom, ko je orodje izklopljeno, in časom, ko deluje v prostem teku).

Izjava o skladnosti ES

Samo za evropske države

Izjava ES o skladnosti je vključena v dodatku A, ki je priložen tem navodilom za uporabo.

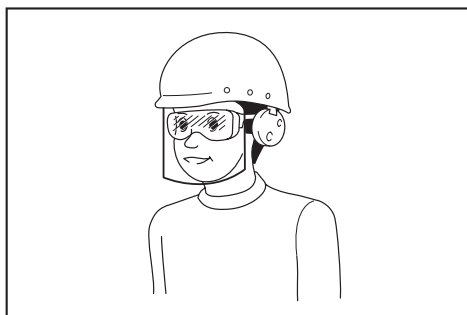
VARNOSTNA OPOZORIILA

POMEMBNA VARNOSTNA NAVODILA

⚠ OPOZORILO: Preberite vsa varnostna opozorila in navodila. Neupoštevanje opozoril in navodil lahko privede do električnega udara, požara in/ali resnih telesnih poškodb.

Shranite vsa opozorila in navodila za poznejšo uporabo.

1. Zagotovite ustrezen nadzor otrok in preprečite igranje s kosilnico.
2. Nikoli ne dovolite uporabe kosilnice otrokom ali osebam, ki niso seznanjene z navodili. Lokalni predpisi lahko omejijo starost uporabnika naprave.
3. Nikoli ne uporabljajte kosilnice v bližini ljudi, zlasti otrok ali hišnih ljubljencev.
4. Upoštevajte, da je upravljalavec ali uporabnik odgovoren za nesreče ali nevarnosti, ki se zgodijo drugim ljudem ali njihovi lastnini.
5. Med delom s kosilnico vedno nosite ustrezno obutev in dolge hlače. Kosilnice ne uporabljajte, ko ste bos ali nosite odprte sandale. Ne nosite oblačil ali nakita, ki so ohlapna ali imajo viseče vrvice ali pentlje. Lahko se zataknejo v gibljive dele.
6. Pri uporabi električnih orodij vedno nosite zaščitna očala, da preprečite poškodbe oči. Očala morajo ustrezati standardu ANSI Z87.1 v ZDA, EN 166 v Evropi ali AS/NZS 1336 v Avstraliji/Novi Zelandiji. V Avstraliji/Novi Zelandiji je zakonsko zahtevano tudi nošenje obrazne zaščite.



Delodajalec mora zagotoviti, da upravljavci orodja in druge osebe v neposrednem delovnem območju uporabljajo ustrezno zaščitno opremo.

7. Pred uporabo preverite, ali je napajalni kabel poškodovan oz. obrabljen. Če se kabel poškoduje med uporabo, ga takoj izklopite iz napajanja. Ne dotikajte se kabla, dokler ne izključite napajanja. Ne uporabljajte kosilnice, če je kabel poškodovan ali obrabljen.
8. Kosilnico upravljajte samo podnevi ali ob dobri umetni svetlobi.
9. Ne uporabljajte kosilnice za košnjo mokre trave.
10. Nikoli ne uporabljajte kosilnice v dežju.
11. Vedno trdno držite ročaj.
12. Pri hoji po pobočjih bodite vedno previdni.
13. Hodite, ne tecite.
14. Kadar dvigujete ali držite kosilnico, ne prijemajte izpostavljenih rezil ali rezalnih robov.
15. Fizično stanje – ne uporabljajte kosilnice, kadar ste pod vplivom drog, alkohola ali kakršnih koli zdravil.
16. Ne približujte rok in nog vrtečim se rezilom. Pozor: rezila se po izklopu kosilnice prosto premikajo.
17. Uporabljajte samo originalna proizvajalčeva rezila, opredeljena v tem priročniku.
18. Pred uporabo skrbno preverite rezila glede obrabe, razpok ali poškodb. Takoj zamenjajte počena ali poškodovana rezila.
19. Pred košnjo se pripravljajte, da v območju košnje ni drugih oseb. Če kdor koli vstopi v območje, ustavite kosilnico.
20. Pred košnjo iz delovnega območja odstranite tuje, kot so kamni, žice, steklenice, kosti in velike palice, da preprečite telesne poškodbe ali poškodbe kosilnice.
21. Če opazite kaj neobičajnega, takoj prenehajte uporabljati kosilnico. Izklopite kosilnico in odklopite napajalni kabel iz napajanja. Nato pregledajte kosilnico.
22. Med delovanjem kosilnice nikoli ne poskušajte prilagoditi višine kolesa.
23. Preden prečkate dovoze, pločnike, ceste in katere koli peščene površine, sprostite preklopno ročico in počakajte, da se rezilo ustavi. Napajalni kabel izklopite iz napajanja, tudi če pustite kosilnico, sežete, da bi pobrali ali odstranili nekaj s poti, ali zaradi katerega koli drugega razloga, ki bi vam lahko preusmeril pozornost.
24. Predmeti, ob katere zadene rezilo, lahko povzročijo hude telesne poškodbe oseb. Pred vsako košnjo je treba trato vedno skrbno pregledati in z nje odstraniti vse predmete.
25. Če kosilnica zadene ob tujek, upoštevajte naslednja navodila:
 - Ustavite kosilnico, sprostite preklopno ročico in počakajte, da se rezilo popolnoma ustavi.
 - Izklopite napajalni kabel iz napajanja.
 - Natančno pregledajte kosilnico in preverite morebitne poškodbe.
 - Če je rezilo kakor koli poškodovano, ga zamenjajte. Pred ponovnim zagonom in nadaljnjo uporabo kosilnice popravite vse poškodbe.
26. Redno pregledujte koš za travo glede obrabljenosti ali okvar. Pri shranjevanju se vedno prepričajte, da je koš za travo prazen. Zaradi varnosti obrabljeni koš za travo zamenjajte z novim tovarniškim košem.
27. Bodite izjemno previdni, ko kosilnico premikate vzvratno ali jo vlečete proti sebi.
28. Ustavite rezila, če morate kosilnico nagniti, kadar se pomikate po netravnatih površinah in kadar kosilnico prenašate do območja, ki ga želite pokositi, ali z njega.
29. Ne uporabljajte kosilnice z okvarjenimi varovalni ali ščitniki ali brez varnostnih naprav, npr. deflektorjev, in/ali nameščenega koša za travo.
30. Zaženite kosilnico v skladu z navodili in bodite pozorni, da so vaše noge in roke dovolj oddaljene od rezil.
31. Med zagonom motorja ne nagibajte kosilnice, razen če je to potrebno. V tem primeru kosilnice ne nagibajte več, kot je potrebno, in dvignite samo tisti del, ki je obrnjen stran od upravljavca. Preden vrnete napravo na tla, se vedno pripravljajte, da sta obe roki v delovnem položaju.
32. Ne zaganjajte kosilnice, kadar stojite pred odprtino za izmet.
33. Ne segajte z rokami ali nogami pod vrteče se dele ali v njihovo bližino. Vedno bodite odmaknjeni od odprtine za izmet.
34. Med prevozom kosilnica ne sme biti vključena.
35. Ustavite kosilnico in odstranite vtič iz vtičnice. Prepričajte se, da so se vsi premični deli popolnoma ustavili:
 - kadar pustite kosilnico nenadzorovano,
 - preden odpravite ovire ali očistite korito,
 - pred pregledom, čiščenjem ali delom na kosilnici,
 - po trku s tujkom. Preden ponovno zaženete in uporabite kosilnico, jo pregledajte glede poškodb in izvedite popravila.
36. Če začne kosilnica neobičajno vibrirati (tako pregledajte):
 - pregledajte glede poškodb,
 - zamenjajte ali popravite vse poškodovane dele,
 - preverite in pritrdite vse razrahljane dele.
37. Med nastavljanjem kosilnice bodite previdni, da preprečite ujetje prstov med premikajoča se rezila in fiksne dele stroja.
38. Kosite prečno po pobočju, nikoli gor in dol. Kadar na pobočjih menjujete smer, bodite izjemno previdni. Ne kosite pri izredno nagnjenih pobočjih.

39. Ne spirajte kosilnice z vrtno cevjo. Preprečite vdor vode v motor in električne priključke.
40. Pogosto preverite, ali je vijak za pritrditev rezila ustrezno zategnjen.
41. Vse matice, čepi in vijaki naj bodo trdno priviti, da zagotovite varno delovanje naprave.
42. Bodite previdni, saj se lahko zaradi enega vrtečega rezila začnejo vrteti tudi druga rezila.
43. Pred shranjevanjem vedno počakajte, da se kosilnica ohladi.
44. Pri servisu rezil upoštevajte, da se lahko rezila še vedno premaknejo, čeprav je napajanje izključeno.
45. Zaradi varnosti zamenjajte obrabljene ali poškodovane dele. Uporabljajte samo originalne nadomestne dele in pripomočke.
46. Električno orodje lahko servisira samo usposobljen serviser, ki uporablja ustrezne nadomestne dele. Tako bo zagotovljena varnost električnega orodja.
47. Sledite navodilom za mazanje in menjavo pripomočkov.
48. Ročaji morajo biti suhi, čisti ter brez olja in masti.
49. Preverite, da se prepričate, ali napetost in frekvenca napajanja ustrežata tehničnim podatkom, navedenim na identifikacijski ploščici. Priporočamo uporabo odklopnika na preostali tok (zaščitnega stikala za diferenčni tok) s sprožilnim tokom 30 mA ali manj ali zaščito za ozemljitveni uhajavi tok.
50. Ta stroj lahko na varen način, če razumejo vključena tveganja, uporabljajo otroci, stari 8 let in več ter osebe z zmanjšanimi fizičnimi, čutilnimi ali psihičnimi sposobnostmi, ter s pomanjkanjem izkušenj in znanja, če so pod ustreznim nadzorom ali so prejeli navodila v zvezi z uporabo stroja. Otroci brez nadzora ne smejo izvajati čiščenja in uporabniškega vzdrževanja.

Ostala tveganja

Tudi če ta izdelek uporabljate skladno z vsemi varnostnimi zahtevami, ostaja možnost poškodb in škode. V povezavi z zgradbo in obliko tega izdelka lahko pride do naslednjih nevarnosti.

1. Škodljivi učinki vibracij na zdravje, če izdelek uporabljate dolgo časa ali če izdelka ne upravljate in vzdržujete na primeren način.
2. Poškodbe in škoda na lastnini zaradi okvarjenih pripomočkov ali nenadnega udarca zaradi skritih predmetov med uporabo.
3. Nevarnost poškodb in škode na lastnini zaradi letočih predmetov.

⚠ OPOZORILO: Ta izdelek med delovanjem proizvaja elektromagnetno polje. To polje lahko pod določenimi pogoji moti aktivne ali pasivne medicinske vsadke. Če želite zmanjšati tveganje resne ali smrtne poškodbe, osebam, ki imajo medicinske vsadke, svetujemo, da se pred uporabo tega izdelka posvetujejo s svojim zdravnikom in proizvajalcem medicinskega vsadka.

SHRANITE TA NAVODILA.

⚠ OPOZORILO: NE dovolite, da bi zaradi udobnejšega dela ali znanja o uporabi izdelka (pridobljenega z večkratno uporabo) opustili strogo upoštevanje varnostnih zahtev v okviru pravilne uporabe orodja.

ZLORABA ali neupoštevanje varnostnih zahtev v teh navodilih za uporabo lahko povzroči resne telesne poškodbe.

MONTAŽA

⚠ POZOR: Pred vsakim posegom v orodje se prepričajte, da je orodje izklopljeno in izključeno z električnega omrežja.

Sestavljanje ročaja

1. Odstranite zgornji ročaj z glavne enote naprave.
▶ **SI.1:** 1. Zgornji ročaj
2. Odvijte krilati matici.
▶ **SI.2:** 1. Krilata matica
3. Ročaj nekoliko razširite navzven in ga dvignite.
▶ **SI.3:** 1. Ročaj
4. Prilagodite višino ročaja, tako da poravnate kazalec z oznako.
▶ **SI.4:** 1. Krilata matica 2. Oznaka 3. Kazalec
5. Privijte krilati matici.
▶ **SI.5:** 1. Krilata matica
6. Pritrdite zgornji ročaj, tako da ročice vstavite z zunanje strani ročaja. Nato privijte matice s ključem, da pritrdite ročaj.
▶ **SI.6:** 1. Ročica 2. Matica
7. Nit pritrdite z zaponkami, kot je prikazano na sliki.
▶ **SI.7:** 1. Zaponka

Nameščanje koša za travo

1. Na okvir pritrdite cevi koša za travo.
▶ **SI.8:** 1. Cev 2. Okvir
2. Odprite zadnji pokrov.
▶ **SI.9:** 1. Zadnji pokrov
3. Zataknite koš za travo na zadnji strani naprave.
▶ **SI.10**

Za odstranjevanje koša za travo izvedite postopek namestitve v obratnem vrstnem redu.

Priklapljanje kableskega podaljška

⚠ OPOZORILO: Ko priklapljate kableski podaljšek v vtiči naprave, se prepričajte, da je preklopna ročica sproščena in je kabel izklopljen iz električnega omrežja.

⚠ OPOZORILO: Kableskega podaljška ne priklaplajte/izklaplajte z mokrimi rokami.

OBVESTILO: Ko priklopljate kabelski podaljšek v vtič naprave, se prepričajte, da je do konca vstavljen v vtičnico.

Ko priklopljate kabelski podaljšek, ga ovijte okoli kavlja na ročaju, kot je prikazano na sliki, da preprečite nena-meren izklop zaradi prekomerne sile na vtič.

► **SI.11:** 1. Kavelj 2. Kabelski podaljšek

OPIS DELOVANJA

Prilagoditev višine košnje

⚠ OPOZORILO: Preden nastavite višino košnje, izključite kabelski podaljšek iz električnega omrežja in preverite, ali so se rezila popolnoma ustavila.

⚠ OPOZORILO: Kadar nastavljate višino košnje, ne segete z rokami ali nogami pod ohišje kosilnice.

Višino košnje lahko prilagodite v razponu od 20 mm do 55 mm (za ELM3320/ELM3720) ali od 20 mm do 75 mm (za ELM4120). Višino košnje lahko prilagodite v 3 (za ELM3320/ELM3720) ali 7 stopnjah (za ELM4120).

Za ELM3320/ELM3720

► **SI.12:** 1. Nastavitvena ročica

Za ELM4120

► **SI.13:** 1. Nastavitvena ročica

Držite ročaj z eno roko in z drugo roko premaknite nastavitveno ročico.

► **SI.14:** 1. Nastavitvena ročica

OPOMBA: Najprej preizkusite želeno višino košnje trave na manj vidnem mestu.

Delovanje stikala

⚠ OPOZORILO: Pred priključitvijo orodja na električno omrežje se vedno prepričajte, da je preklopna ročica brezhibna in da se vrača v položaj za izklop (OFF), ko jo spustite.

⚠ OPOZORILO: Za vašo varnost je ta naprava opremljena s sprostilnim gumbom, ki preprečuje nena-meren zagon orodja. Nikoli ne uporabljajte naprave, kadar začne delovati, če pritisnete samo preklopno ročico in pri tem ne pritisnete sprostilnega gumba. Za popravilo se obrnite na lokalni servisni center Makita.

⚠ OPOZORILO: Nikoli ne onemogočite funkcije zaklepa ali zalepite sprostilnega gumba.

OBVESTILO: Ne pritiskajte preklopne ročice s silo, ne da bi pri tem pritisnili sprostilni gumb. Stikalo se lahko zlomi.

Za zagon naprave hkrati pritisnete sprostilni gumb in pritisnete preklopno ročico. Spustite preklopno ročico, da ustavite napravo.

► **SI.15:** 1. Preklopna ročica 2. Sprostilni gumb

Indikator količine trave v košu za travo

Indikator količine trave v košu za travo se med košnjo odpre, če koš za travo ni poln. Ko je koš za travo ni poln, se indikator med košnjo zapre. Če je koš za travo poln, ga pred košnjo izpraznite.

► **SI.16:** 1. Indikator količine

► **SI.17:** 1. Indikator količine

Prilagoditev višine ročaja

Višino ročaja lahko prilagodite na tri stopnje. Držite ročaj in odvijte krilati matici. Prilagodite višino ročaja, tako da poravnate kazalec z eno od oznak, in privijte krilati matici.

► **SI.18:** 1. Krilata matica 2. Oznaka 3. Kazalec

Sistem za zaščito motorja (pretokovni rele)

⚠ OPOZORILO: Če se naprava med uporabo nenadoma zaustavi, spustite preklopno ročico in izklopite kabelski podaljšek. V nasprotnem primeru se lahko naprava nenadoma znova zažene in povzroči telesne poškodbe.

⚠ POZOR: Preden odstranite tujek, ki se je zagozdil v rezilu, si nadenite rokavice in izklopite kabelski podaljšek iz vtičnice.

Če se v ohišju zagozdi pokošena trava ali zemlja, se naprava samodejno ustavi in s tem zaščiti motor (pretokovni rele). V tem primeru izklopite kabelski podaljšek iz vtičnice, nato pa odstranite zagozden material in počakajte nekaj minut, da se naprava ohladi, preden vklopite napravo.

OPOMBA: Pretokovni rele se lahko aktivira, kadar se v ohišju zagozdi mokra ali dolga trava.

UPRAVLJANJE

Košnja

⚠ OPOZORILO: Pred košnjo z območja košnje odstranite palice in kamne. Z območja košnje odstranite tudi ves plevel.

► **SI.19**

⚠ OPOZORILO: Med uporabo kosilnice vedno nosite zaščitna očala s stransko zaščito.

⚠ POZOR: Če se pokošena trava ali tujek zagozdi v kosilnici, jo izklopite in nato odklopite kabelski podaljšek iz električne vtičnice. Preden odstranite travo ali tujek, si nadenite rokavice.

⚠ POZOR: Med delom s strojem namestite koš za travo.

OBVESTILO: To napravo uporabljajte le za košnjo trave. S to napravo ne kosite plevla.

Med košnjo trdno držite ročaj z obema rokama.

► **SI.20**

Hitrost košnje naj bo približno en meter na štiri sekunde.

► **SI.21**

Začnite kositi v bližini električne vtičnice, da vas kabelski podaljšek ne bo oviral.

► **SI.22:** 1. Električna vtičnica 2. Kabelski podaljšek

Ne pustite, da kabelski podaljšek poteka pod napravo ali se zaplete pod njo.

► **SI.23**

► **SI.24**

Črti na obeh straneh ohišja določata širino košnje.

Med košnjo uporabljajte črti kot vodilo in kosite v pasovih. Kosite tako, da vsak naslednji pas prekriva polovico ali tretjino prejšnjega. Tako bo trava pokošena enakomerno.

► **SI.25:** 1. Širina košnje 2. Prekrivajoče se območje 3. Črta

Vsakič spremenite smer košnje, da ne bo vzorec pokošene trave nastajal samo v eni smeri.

► **SI.26**

Redno preverjajte napolnjenost koša za travo. Koš izpraznite, še preden se napolni. Pred vsakim rednim preverjanjem zaustavite napravo.

OPOMBA: Uporaba kosilnice s polnim košem za travo preprečuje gladko vrtenje rezila in pomeni dodatno obremenitev motorja, kar lahko povzroči okvaro.

Košnja visoke trave

Ne poskušajte rezati visoke trave v enem kosu. Namesto tega kosite travo po korakih. Počakajte dan ali dva med posameznimi košnjami, da se trava enakomerno skrajša.

► **SI.27**

OPOMBA: S košnjo dolge trave na krajšo dolžino v enem kosu lahko uničite travo. Poleg tega se lahko pokošena trava zagozdi v ohišju kosilnice.

Košnja ob robu

Ko kosite ob robu, premikajte napravo vzdolž roba.

► **SI.28**

VZDRŽEVANJE

⚠ OPOZORILO: Pred vzdrževanjem odklopite kabelski podaljšek iz električnega omrežja in preverite, ali so se rezila popolnoma ustavila.

⚠ POZOR: Med vzdrževanjem vedno nosite rokavice.

VARNO in ZANESLJIVO delovanje tega izdelka bo zagotovljeno le, če boste popravila, vzdrževanje in nastavitve prepustili pooblaščenemu servisu za orodja Makita ali tovarniškemu osebju, ki vgrajuje izključno originalne nadomestne dele.

Vzdrževanje po košnji

Po košnji obrišite napravo s suho krpo ali krpo, ki ste jo namočili v milnico. Z mehko ščetko očistite koščke trave in zemljo z rezil.

OBVESTILO: Nikoli ne uporabljajte bencina, razredčila, alkohola ali podobnega sredstva. V tem primeru se lahko orodje razbarva ali deformira oziroma lahko nastanejo razpoke.

Shranjevanje

1. Izklopite kabelski podaljšek.
► **SI.29:** 1. Kabelski podaljšek
2. Odprite zadnji pokrov in odstranite koš za travo.
► **SI.30:** 1. Zadnji pokrov 2. Koš za travo
3. Držite ročaj in odvijte krilati matici, nato nekoliko razširite ročaj navzven ter ga zložite.
► **SI.31:** 1. Krilata matica 2. Ročaj 3. Oznaka 4. Kazalec

⚠ POZOR: Pri zlaganju ročaja bodite previdni, da si ne priščipnete roke ali prstov.

OPOMBA: Preverite, da kazalec kaže na oznako v najbolj sprednjem položaju.

4. Privijte krilati matici.
► **SI.32:** 1. Krilata matica
5. Odprite ročice in položite kabel prek ročice.
► **SI.33:** 1. Ročica 2. Kabel
6. Ročice vrnite v položaj na polovici poti, kot je prikazano na sliki.
► **SI.34:** 1. Ročica
7. Zložite ročaj.
► **SI.35:** 1. Ročaj
8. Napravo postavite tako, kot je prikazano na sliki.
► **SI.36**

⚠ POZOR: Stroj hranite v zaprtem prostoru in na ravni površini. Če ni na ravni površini, lahko pade in povzroči telesne poškodbe.

Stroj lahko shranite tudi tako, kot je opisano v nadaljevanju.

1. Izklopite kabelski podaljšek.
► **SI.37:** 1. Kabelski podaljšek
2. Odprite zadnji pokrov in odstranite koš za travo.
► **SI.38:** 1. Zadnji pokrov 2. Koš za travo
3. Nastavite višino košnje z nastavitveno ročico.

Za ELM3320/ELM3720:

Nastavite višino košnje na „1“.

► **SI.39:** 1. Nastavitvena ročica

Za ELM4120:

Nastavite višino košnje na „2“.

► **SI.40:** 1. Nastavitvena ročica

4. Držite ročaj in odvijte krilati matici, nato nekoliko razširite ročaj navzven ter ga zložite.

► **SI.41:** 1. Krilata matica 2. Ročaj 3. Oznaka

4. Kazalec

⚠ POZOR: Pri zlaganju ročaja bodite previdni, da si ne priščipnete roke ali prstov.

OPOMBA: Preverite, da kazalec kaže na oznako v najbolj sprednjem položaju.

5. Privijte krilati matici.

► **SI.42:** 1. Krilata matica

6. Napravo postavite tako, kot je prikazano na sliki.

► **SI.43**

⚠ POZOR: Stroj hranite v zaprtem prostoru in na ravni površini. Če ni na ravni površini, lahko pade in povzroči telesne poškodbe.

Napravo lahko shranite tudi tako, da zložite ročaj.

⚠ POZOR: Preden odprete ročici, trdno primate zgornji ročaj. V nasprotnem primeru lahko ročaj pade in povzroči telesne poškodbe.

1. Držite zgornji ročaj in odprite ročici.

► **SI.44:** 1. Ročica

2. Zložite zgornji ročaj.

► **SI.45:** 1. Zgornji ročaj

Zamenjava rezila kosilnice

⚠ POZOR: Za zamenjavo rezila kosilnice lahko uporabljate le standardni imbusni ključ. Če uporabite drug ključ, lahko vijake zategnete preveč ali premalo, kar lahko povzroči telesne poškodbe.

1. Izklopite kabelski podaljšek in postavite napravo pokonci. (Glejte navodila za shranjevanje.)

2. Vstavite zatič v odprtino in nato z eno roko primate ročaj ter s ključem odvijte vijak v nasprotni smeri urnega kazalca.

► **SI.46:** 1. Rezilo 2. Ključ 3. Zatič

3. Odstranite rezilo kosilnice.

Za ELM3320

Odstranite vijak, podložko, rezilo kosilnice in nosilec v tem vrstnem redu.

► **SI.47:** 1. Nosilec 2. Rezilo kosilnice 3. Podložka 4. Vijak

Za ELM3720/ELM4120

Odstranite vijak, podložko, rezilo kosilnice, nosilec in distančnik v tem vrstnem redu.

► **SI.48:** 1. Distančnik 2. Nosilec 3. Rezilo kosilnice 4. Podložka 5. Vijak

4. Pritrdite novo rezilo kosilnice, nato vstavite zatič v odprtino, primate ročaj z eno roko in s ključem čvrsto privijte vijak v smeri urnega kazalca.

► **SI.49:** 1. Rezilo kosilnice 2. Ključ 3. Zatič

Kabelski podaljšek

Uporabljate lahko le kabelske podaljške za uporabo na prostem, običajni plastični ali gumijast kabel s prečnim prerezom najmanj 1,5 mm².

Pred uporabo in med njo preverite, ali je napajalni kabel poškodovan. Ne uporabljajte naprave, če je kabel poškodovan ali obrabljen. Pazite, da napajalni kabel ne pride v stik z rezili. Če se kabel poškoduje med uporabo, ga takoj izklopite iz napajanja. Ne dotikajte se kabla, dokler ne izključite napajanja.

DODATNA OPREMA

⚠ POZOR: Ta dodatni pribor ali pripomočki so predvideni za uporabo z orodjem Makita, ki je opisano v teh navodilih za uporabo. Pri uporabi drugega pribora ali pripomočkov obstaja nevarnost telesnih poškodb. Dodatni pribor ali pripomočke uporabljajte samo za navedeni namen.

Za več informacij o dodatni opremi se obrnite na najbližji pooblaščen servis za orodja Makita.

- Rezilo kosilnice

OPOMBA: Nekateri predmeti na seznamu so lahko priloženi orodju kot standardna dodatna oprema. Lahko se razlikujejo od države do države.

SPECIFIKIMET

Modeli:		ELM3320	ELM3720	ELM4120
Shpejtësia pa ngarkesë		3 400 min ⁻¹		
Lartësia e prerjes		20 mm - 55 mm		20 mm - 75 mm
Gjerësia e prerjes		330 mm	370 mm	410 mm
Numri i pjesës së fletës rezervë të kositëses		YA00000731	YA00000732	YA00000733
Përmasat (GJ x T x L)	Gjatë përdorimit (me koshin e barit)	GJ: 1 040 mm deri 1 230 mm T: 380 mm L: 870 mm deri 1 110 mm	GJ: 1 140 mm deri 1 330 mm T: 415 mm L: 890 mm deri 1 120 mm	GJ: 1 255 mm deri 1 470 mm T: 460 mm L: 955 mm deri 1 230 mm
	Kur magazinohet (pa koshin e barit)	350 mm x 380 mm x 1 090 mm	335 mm x 415 mm x 1 090 mm	395 mm x 460 mm x 1 220 mm
Pesha neto		10,2 kg	11,6 kg	14,5 kg
Kategoria e sigurisë		II/II		

- Për shkak të programit tonë të vazhdueshëm të kërkim-zhvillimit, specifikimet që jepen këtu mund të ndryshojnë pa dhënë njoftim.
- Specifikimet mund të ndryshojnë nga njëri shtet në tjetrin.
- Pesha mund të ndryshojë në varësi të aksesorit(ëve). Kombinimi më i lehtë dhe më i rëndë, sipas Procedurës EPTA 01/2014, tregohet në tabelë.

Simbolet

Pjesët në vazhdim tregojnë simbolet e përdorura për pajisjen. Sigurohuni që merrni vesh kuptimin e tyre përpara përdorimit.



Tregoni kujdes dhe vëmendje të veçantë. Lexoni manualin e përdorimit.



IZOLIM I DYFISHTË



Rrezik; kini kujdes nga objektet e hedhura. Distanca ndërmjet veglës dhe personave që qëndrojnë aty pranë duhet të jetë të paktën 15 m.



Prisni derisa të gjithë komponentët e makinerisë të kenë ndaluar plotësisht përpara se t'i prekni.



Mbajeni kordonin fleksibël të furnizimit me energji larg nga fletët prerëse.



Tregoni kujdes nga fletët e mprehta. Disqet vazhdojnë të rrotullohen pasi motori të jetë fikur. Hiqni prizën nga makineria përpara mirëmbajtjes ose nëse kordoni është i dëmtuar.



Zhurma e makinerisë është jo më shumë se 96 dB.



Mbajini larg duart dhe këmbët. Mos e përdorni kositësen në rast se mbrojtëset dhe aksesoret nuk janë në vendin e duhur.



Vetëm për vendet e BE-së
Mos i hidhni pajisjet elektrike së bashku me mbeturinat e shtëpisë! Në përputhje me Direktivën Evropiane për mbetje nga pajisjet elektrike dhe elektronike dhe implementimin e saj në përputhje me legjislacionin kombëtar, pajisjet elektrike që kanë aritur fundin e jetëgjatësisë së tyre duhet të mblidhen veçmas dhe të dorëzohen në një objekt riciklimi që nuk dëmton mjedisin.

Përdorimi i synuar

Makineria është synuar për kositjen e barit. Mos e përdorni makinerinë për qëllime të tjera. Përdorimi i makinerisë për veprime të ndryshme nga ato për të cilat është synuar mund të rezultojë në situata të rrezikshme.

Furnizimi me energji

Vegla duhet të lidhet vetëm me një furnizim me energji me të njëjtin tension të treguar në pllakëzën metalike udhëzuese dhe mund të funksionojë vetëm me rrymë alternative njëfazore. Ata kanë izolim të dyfishtë dhe mund të përdorin priza pa tokëzim. Nëse kordoni i furnizimit me energji është i dëmtuar, ai duhet të zëvendësohet nga prodhuesi ose agjenti i tij i shërbimit për të shmangur ndonjë rrezik.

Për sisteme shpërndarjeje publike me tension të ulët ndërmjet 220 V dhe 250 V

Ndryshimet e funksionimit të aparatit elektrik shkaktojnë lëkundje tensioni. Funksionimi i kësaj pajisjeje në kushte jo të favorshme të rrjetit elektrik mund të shkaktojë pasoja negative në funksionimin e pajisjeve të tjera. Me një rezistencë në rrjetin elektrik të barabartë ose më të vogël se 0,425 om (për ELM3720) ose 0,427 om (për ELM4120), mund të supozohet se nuk do të ketë pasoja negative. Priza e rrjetit elektrik që përdoret me këtë pajisje duhet të mbrohet nga një siguresë ose nga automat mbrojtës që aktivizohet ngadalë.

Zhurma

Standardi i zbatueshëm : EN60335

Modeli	Niveli i presionit të zhurmës		Niveli i fuqisë së zhurmës	
	L _{PA} (dB(A))	Pasiguria K (dB(A))	L _{PA} (dB(A))	Pasiguria K (dB(A))
ELM3320	83	3	94	2
ELM3720	83	3	94	1
ELM4120	84	3	93	2

SHËNIM: Vlerat e deklaruar totale të emetimeve të zhurmës janë matur sipas një metode standarde testimi dhe mund të përdoren për të krahasuar një vegël me një tjetër.

SHËNIM: Vlerat e deklaruara të emetimeve të zhurmës mund të përdoren për një vlerësim paraprak të ekspozimit.

⚠ PARALAJMËRIM: Mbani mbrojtëse për veshët.

⚠ PARALAJMËRIM: Emetimet e zhurmës gjatë përdorimit aktual të veglës elektrike mund të ndryshojnë nga vlerat e deklaruara në varësi të mënyrave sesi përdoret vegla, veçanërisht nga lloji i materialit të punës që përdoret.

⚠ PARALAJMËRIM: Vërtetoni që masat e sigurisë për mbrojtjen e përdoruesit bazohen në vlerësimin e ekspozimit ndaj kushteve aktuale të përdorimit (duke marrë parasysh të gjitha pjesët e ciklit të funksionimit si ato kur pajisja është e fikur dhe punon pa prerë ashtu edhe kohën e përdorimit).

Dridhja

Vlera totale e dridhjeve (shuma e vektorit me tre akse) përcaktohet sipas EN60335:

Modeli ELM3320

Emetimi i dridhjeve (a_{h1}): 2,5 m/s² ose më pak
Pasiguria (K): 1,5 m/s²

Modeli ELM3720

Emetimi i dridhjeve (a_{h1}): 2,5 m/s² ose më pak
Pasiguria (K): 1,5 m/s²

Modeli ELM4120

Emetimi i dridhjeve (a_{h1}): 2,5 m/s² ose më pak
Pasiguria (K): 1,5 m/s²

SHËNIM: Vlerat e deklaruara totale të dridhjeve janë matur sipas një metode standarde testimi dhe mund të përdoren për të krahasuar një vegël me një tjetër.

SHËNIM: Vlerat e deklaruara totale të dridhjeve mund të përdoren për një vlerësim paraprak të ekspozimit.

⚠ PARALAJMËRIM: Emetimet e dridhjeve gjatë përdorimit aktual të veglës elektrike mund të ndryshojnë nga vlerat e deklaruara në varësi të mënyrave sesi përdoret vegla, veçanërisht nga lloji i materialit të punës që përdoret.

⚠ PARALAJMËRIM: Vërtetoni që masat e sigurisë për mbrojtjen e përdoruesit bazohen në vlerësimin e ekspozimit ndaj kushteve aktuale të përdorimit (duke marrë parasysh të gjitha pjesët e ciklit të funksionimit si ato kur pajisja është e fikur dhe punon pa prerë ashtu edhe kohën e përdorimit).

Deklarata e konformitetit me KE-në

Vetëm për shtetet evropiane

Deklarata e konformitetit me KE-në përfshihet si Shtojca A në këtë manual përdorimi.

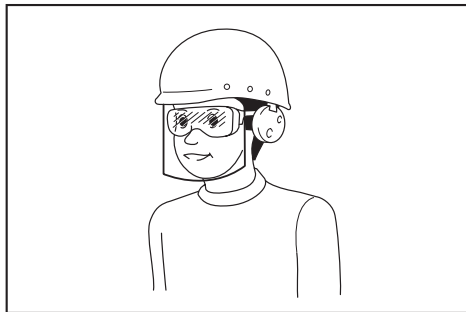
PARALAJMËRIME SIGURIE

UDHËZIME TË RËNDËSISHME PËR SIGURINË

▲PARALAJMËRIM: Lexoni të gjitha paralajmërimet dhe udhëzimet për sigurinë. Mosndjekja e paralajmërimeve dhe udhëzimeve mund të rezultojë në goditje elektrike, zjarr dhe/ose lëndim serioz.

Ruajini të gjitha paralajmërimet dhe udhëzimet për të ardhmen.

1. Fëmijët duhet të mbikëqyren për t'u siguruar se nuk luajnë me kositësen.
2. Mos i lejoni kurrë fëmijët ose personat që nuk i njohin këto udhëzime të përdorin kositësen. Rregullat vendore mund të kufizojnë moshën e përdoruesit.
3. Mos e përdorni kurrë kositësen nëse ka njerëz pranë, sidomos fëmijë apo kafshë shtëpiake.
4. Kini parasysh se përdoruesi është përgjegjës për aksidentet ose rreziqet që mund t'u ndodhin personave të tjerë ose pronës së tyre.
5. Gjatë përdorimit të kositëses vishni gjithmonë këpucë të forta dhe pantallona të gjata. Mos e përdorni kositësen kur jeni zbatthur apo kur kenit veshur sandale të hapura. Shmangni veshjen e rrobave të gjera ose mbajtjen e bizhuterive që kanë kordonë ose fije që varen. Ato mund të ngecin në pjesët lëvizëse.
6. Gjithmonë mbani veshje mbrojtëse për të mbrojtur sytë nga lëndimi kur përdorni veglat elektrike. Syzet mbrojtëse duhet të jenë në pajtim me ANSI Z87.1 në SHBA, EN 166 në Evropë ose AS/NZS 1336 në Australi/Zelandën e Re. Në Australi/Zelandën e Re, ligji kërkon që të mbahet gjithashtu edhe një mbrojtëse fytyre për të mbrojtur fytyrën.



Është përgjegjësi e punëdhënësit të detyrojë përdorimin e pajisjeve të duhura mbrojtëse për sigurinë nga punëtorët dhe nga personat e tjerë që ndodhen pranë ambienteve të punës.

7. Përpara përdorimit, kontrolloni kordonin e furnizimit dhe të energjisë për shenja dëmtimi ose vjetërimi. Nëse kordoni dëmtohet gjatë përdorimit, shkëputeni kordonin menjëherë nga furnizimi me energji. Mos e prekni kordonin përpara se të jetë shkëputur furnizimi me energji. Mos e përdorni kositësen nëse kordoni është dëmtuar ose konsumuar.
8. Përdoreni kositësen vetëm gjatë ditës ose në kushte të mira ndriçimi artificial.
9. Shmangni përdorimin e kositëses në bar të lagur.
10. Mos e përdorni kurrë kositësen në shi.
11. Mbajeni gjithmonë fort dorezën.
12. Siguroni mbështetje të mirë të këmbëve në zona të pjerrëta.
13. Ecni, mos vraponi asnjëherë.
14. Mos kapni me dorë disqet prerëse ose tehet prerëse të ekspozuara kur e ngrini ose mbani kositësen.
15. Gjendja fizike – Mos e përdorni kositësen kur jeni nën ndikimin e drogës, alkoolit ose ndonjë medikamenti.
16. Mbajini këmbët dhe duart larg disqeve rrotulluese. Kujdes - Disqet rrëshqasin pasi kositësja fiket.
17. Përdorni vetëm disqet origjinale të prodhuesit të specifikuar në këtë manual.
18. Kontrolloni disqet me kujdes për krisje ose dëmtim përpara përdorimit. Zëvendësoni menjëherë disqet e krisura ose të dëmtuara.
19. Sigurohuni që në zonë të mos ketë njerëz të tjerë përpara se të nisni kositjen. Fikeni kositësen nëse ndokush afrohet në zonë.
20. Hiqni materialet e huaja si gurët, telat, shishet, kockat dhe shkopiçitë e mëdhenj nga zona e punës përpara se të nisni kositjen për të parandaluar lëndimin personal ose dëmtimin e kositëses.
21. Ndaloni menjëherë përdorimin nëse vini re diçka të pazakontë. Fikeni kositësen dhe shkëputeni kordonin e energjisë nga furnizimi me energji. Pastaj kontrolloni kositësen.
22. Mos u përqipni kurrë të rregulloni lartësinë e rrotës ndërkohë që kositësja është në punë.
23. Lëshoni levën e çelësit dhe prisni që disku të mos rrotullohet më përpara se të kaloni rrugët, rrugicat ose ndonjë zonë të mbuluar me zhavorr. Gjithashtu, shkëputeni kordonin me energji nga furnizimi me energji nëse lini kositësen vetëm, zgjasni dorën për të kapur ose hequr diçka që kenit përpara ose për ndonjë arsye tjetër që mund t'ju shpërqendrojë nga puna që po bëni.
24. Objektet që goditen nga disku i kositëses mund të shkaktojnë lëndime të rënda ndaj personave. Duhet të ekzaminoni gjithmonë me kujdes oborrin dhe të hiqni të gjitha objektet përpara se të kositni barin.
25. Nëse kositësja godet një objekt të huaj, ndiqni hapat e mëposhtëm:
 - Fikni kositësen, lëshoni levën e çelësit dhe prisni derisa disku të ketë ndaluar plotësisht.
 - Shkëputni kordonin e energjisë nga furnizimi me energji.
 - Kontrolloni mirë kositësen për ndonjë dëmtim.
 - Zëvendësoni diskun nëse ka ndonjë dëmtim.
 - Riparoni çdo dëmtim përpara se të rinisni ose të vazhdoni punën me kositësen.
26. Kontrolloni vazhdimisht koshin e barit për konsumim ose vjetërim. Për ruajtje, sigurohuni gjithmonë që koshi i barit të jetë bosh. Për siguri, një kosh bari të konsumuar zëvendësojeni me një kosh të ri nga fabrika.

27. Tregoni shumë kujdes kur ndryshoni drejtimin e kositëses ose kur e tërhiqni drejt vetes.
28. Ndaloni diskun(disqet) nëse kositësja duhet anuar për transportim, kur kaloni në sipërfaqe ku nuk ka bar dhe kur e transportoni nga apo për në zonën e përdorimit.
29. Mos e përdorni kurrë kositësen me mbrojtëse me defekt ose pa montuar në vendin e duhur pajisje sigurie, për shembull pajisjet shmangëse dhe/ose koshin e barit.
30. Ndizeni kositësen me kujdes sipas udhëzimeve dhe me këmbët larg diskut (disqeve).
31. Mos e anoni kositësen kur ndizni motorin, përveçse kur kositësja duhet të anohet për t'u ndezur. Në këtë rast mos e anoni më shumë nga sa është e nevojshme dhe ngrini vetëm pjesën që është larg përdoruesit. Gjithmonë sigurohuni që të dyja duart të jenë pozicionin e përdorimit përpara se ta ktheni në tokë pajisjen.
32. Mos e ndizni kositësen kur jeni duke qëndruar përpara vrimës së shkarkimit.
33. Mos i vendosni duart ose këmbët pranë apo nën pjesët rrotulluese. Qëndroni gjithmonë larg vrimës së shkarkimit.
34. Mos e transportoni kositësen kur kositësja është e ndezur.
35. Ndaloni kositësen dhe hiqni spinën nga priza. Sigurohuni që të gjitha pjesët lëvizëse të kenë ndaluar plotësisht
 - sa herë që lini kositësen vetëm,
 - përpara se të pastroni bllokimet apo të zhbllokoni marmitën,
 - përpara se të kontrolloni, pastroni ose të punoni me kositësen,
 - pasi keni goditur objekte të huaja. Inspektioni kositësen për dëmtime dhe bëni riparime përpara se ta rindizni dhe ta përdorni.
36. Nëse kositësja nis të ketë dridhje jo normale (kontrolloni menjëherë)
 - inspektioni për dëmtim,
 - zëvendësoni ose riparoni pjesët e dëmtuara,
 - kontrolloni dhe shtrëngoni pjesët e liruara.
37. Bëni kujdes gjatë rregullimit të kositëses për të parandaluar ngecjen e gishtave në disqet që lëvizin dhe në pjesët e fiksuar të kositëses.
38. Kositni përmes faqeve të pjerrinave, asnjëherë lart e poshtë. Bëni kujdes të veçantë kur ndryshoni drejtimin në zonat e pjerrëta. Mos kositni në zona me pjerrësi shumë të madhe.
39. Mos e lani me zorrë; shmangni futjen e ujit në motor dhe në lidhjet elektrike.
40. Kontrolloni në intervale të shpeshta që buloni i montimit të diskut të jetë shtrënguar mirë.
41. Mbajini të gjitha dadot, bulonat dhe vidat të shtrënguara mirë për t'u siguruar që pajisja të jetë në kushte të sigurta pune.
42. Tregoni kujdes sepse rrotullimi i njëres fletë bën që edhe fletët e tjera të rrotullohen.
43. Lëreni gjithmonë kositësen të ftohet përpara se ta magazinoni.
44. Gjatë kryerjes së shërbimeve te disqet bëni kujdes që edhe pse burimi i energjisë është i fikur, disqet mund të lëvizin ende.
45. Për siguri, ndërrojni pjesët e konsumuara apo të dëmtuara. Përdorni vetëm pjesë këmbimi dhe aksesore origjinalë.
46. Bëjini shërbim veglës elektrike nga një person i kualifikuar për riparime, duke përdorur vetëm pjesë identike zëvendësimi. Kjo do ta mbajë të sigurt veglën elektrike.
47. Ndizni udhëzimet për lubrifikimin dhe ndërrimin e aksesorëve.
48. Mbajini dorezat të thata, të pastra dhe pa vaj dhe graso.
49. Kontrolloni për t'u siguruar që tensioni dhe frekuenca e furnizimit me energji të përputhen me specifikimet e dhëna në pllakën e identifikimit. Ne rekomandojmë përdorimin e një çelësi stakues që vepron nga rryma e mbetur (ndërprerës qarku për lidhje të shkurtër të tokëzimit) me rrymë veprimi prej 30 mA ose më pak, ose të një mbrojtësi të rrymës për rrjedhje të tokës.
50. Kjo makineri mund të përdoret nga fëmijë të moshës 8 vjeçare e lart dhe persona me aftësi të kufizuara fizike, shqisore ose mendore, ose që u mungon përvoja dhe njohuria, nëse janë nën mbikëqyrje apo kanë marrë udhëzime në lidhje me përdorimin e sigurt të pajisjes dhe kuptimin e rreziqeve të mundshme. Pastrimi dhe mirëmbajtja nga përdoruesi nuk duhet të kryhet nga fëmijë pa mbikëqyrje.

Rreziqet e mbetura

Edhe nëse e përdorni këtë produkt në përputhje me të gjitha kërkesat e sigurisë, mbeten rreziqet të mundshme për lëndim dhe dëmtim. Rreziqet e mëposhtme mund të lindin në lidhje me strukturën dhe dizajnin e këtij produkti.

1. Defekte shëndetësore si rezultat i emetimit të dridhjeve nëse produkti po përdoret për periudha të gjata kohe ose nuk menaxhohet dhe mirëmbahet siç duhet.
2. Lëndime dhe dëmtime në pronë për shkak të veglave të prishura të aplikimit ose goditjes së papritur të objekteve të fshehura gjatë përdorimit.
3. Rreziku i lëndimit dhe i dëmtimit të pronës i shkaktuar nga objektet fluturuese.

▲PARALAJMËRIM: Ky produkt prodhon fushë elektromagnetike gjatë funksionimit. Kjo fushë, në disa rrethana, mund të ndërhyjë te implantet aktive ose pasive mjekësore. Për të reduktuar rrezikun e lëndimit serioz ose vdekjeprurës, rekomandojmë që personat me implante mjekësore të konsultohen me mjekun e tyre dhe prodhuesin e implantit mjekësor përpara përdorimit të këtij produkti.

RUAJINI KËTO UDHËZIME.

▲PARALAJMËRIM: MOS lejoni që njohja ose familjarizimi me produktin (të fituara nga përdorimi i shpeshtë) të zëvendësojnë zbatimin me përpikëri të rregullave të sigurisë për produktin në fjalë.

KEQPËRDORIMI ose mosndjekja e rregullave të sigurisë të dhëna në këtë manual përdorimi mund të shkaktojnë dëmtime të rënda personale.

MONTIMI

▲KUJDES: Jini gjithnjë të sigurt që vegla është fikur dhe hequr nga korrenti përpara se të bëni ndonjë punë mbi të.

Montimi i dorezës

- Shkarkoni dorezën e sipërme nga njësia kryesore e makinerisë.
► **Fig.1:** 1. Doreza e sipërme
- Lironi dadot me veshë.
► **Fig.2:** 1. Dadoja me veshë
- Zgjeroni dorezën pak jashtë, më pas ngrini dorezën, më pas ngrini dorezën.
► **Fig.3:** 1. Doreza
- Rregulloni lartësinë e dorezës duke bashkërenditur shigjetën me shenjën.
► **Fig.4:** 1. Dadoja me veshë 2. Shenja 3. Shigjeta
- Shtërngoni dadot me veshë.
► **Fig.5:** 1. Dadoja me veshë
- Bashkoni dorezën e sipërme duke futur levat nga pjesa e jashtme e dorezës, dhe më pas shtërngoni dadot me çelësin fiso për të siguruar dorezën.
► **Fig.6:** 1. Leva 2. Dadoja
- Siguroni kordonët me fasheta shtërnguese siç tregohet në figurë.
► **Fig.7:** 1. Fasheta shtërnguese

Instalimi i koshit të barit

- Bashkoni tubat e koshit të barit me strukturën.
► **Fig.8:** 1. Tubi 2. Struktura
- Hapni kapakun e pasmë.
► **Fig.9:** 1. Kapaku i pasmë
- Vareni koshin e barit në pjesën e pasme të makinerisë.
► **Fig.10**

Për ta hequr koshin e barit, kryeni procedurën e instalimit në drejtim të anasjelltë.

Lidhja e kordonit zgjatues

▲PARALAJMËRIM: Kur lidhet kordoni zgjatues me spinën e energjisë të makinerisë, sigurohuni që leva e çelësit të jetë e lëshuar dhe kordoni të shkëputet nga furnizimi me energji.

▲PARALAJMËRIM: Mos e lidhni ose shkëputni kordonin zgjatues me duar të lagura.

VINI RE: Kur lidhni kordonin zgjatues me spinën e energjisë të makinerisë, sigurohuni që të jetë futur plotësisht në prizë.

Kur lidhni kordonin zgjatues, vareni atë mbi grepin në dorezë siç tregohet në figurë për të parandaluar shkëputjen aksidentale nga tërheqja e tepërt e spinës.
► **Fig.11:** 1. Grep 2. Kordoni zgjatues

PËRSHKRIMI I PUNËS

Rregullimi i lartësisë së kositjes

▲PARALAJMËRIM: Përpara se të rregulloni lartësinë e kositjes, shkëputni kordonin zgjatues nga furnizimi me energji, më pas kontrolloni që fletët të kenë ndaluar plotësisht.

▲PARALAJMËRIM: Asnjëherë mos e vendosni dorën ose këmbën poshtë trupit të kositës kur rregulloni lartësinë e kositjes.

Ju mund ta rregulloni lartësinë e kositjes në kufijtë e 20 mm deri 55 mm (për ELM3320/ELM3720) ose 20 mm deri 75 mm (për ELM4120). Lartësia e kositjes mund të rregullohet në 3 nivele (për ELM3320/ELM3720) ose 7 nivele (për ELM4120).

Për ELM3320/ELM3720

► **Fig.12:** 1. Leva e rregullimit

Për ELM4120

► **Fig.13:** 1. Leva e rregullimit

Mbajeni dorezën me një dorë dhe më pas lëvizni levën e rregullimit me dorën tjetër.

► **Fig.14:** 1. Leva e rregullimit

SHËNIM: Provoni një kositje prove të barit në një pjesë jo shumë të dukshme që të arrini lartësinë e duhur.

Veprimi i ndërrimit

▲PARALAJMËRIM: Përpara se ta vendosni veglën në korrent, kontrolloni gjithmonë nëse leva e çelësit është në pozicionin e duhur dhe nëse kthehet në pozicionin "OFF" kur lëshohet.

▲PARALAJMËRIM: Për sigurinë tuaj, makineria është e pajisur me butonin e zhblokimit, i cili parandalon ndezjen e paqëllimshme të veglës. Asnjëherë mos e përdorni makinerinë nëse ndizet kur tërhiqni levën e çelësit, pa shtypur butonin e bllokimit. Kërkojini qendrës lokale të shërbimit të Makita që ta riparojë.

▲PARALAJMËRIM: Asnjëherë mos e çaktivizoni funksionin e bllokimit ose mos e ngjisni me shirit qëllimisht butonin e bllokimit.

VINI RE: Mos e tërhiqni me forcë levën e çelësit pa shtypur butonin e zhblokimit. Çelësi mund të thyhet.

Për ta ndezur makinerinë, shtypni brenda butonin e zhblokimit dhe më pas shtypni levën e çelësit. Për ta ndaluar makinerinë, lëshoni levën e çelësit.

► **Fig.15:** 1. Leva e çelësit 2. Butoni i zhblokimit

Treguesi i nivelit të koshit të barit

Treguesi i nivelit të koshit të barit hapet gjatë kositjes nëse koshi i barit nuk është plot. Nëse koshi i barit është plot, treguesi i nivelit mbyllet gjatë kositjes. Nëse koshi i barit është plot, zbrazeni atë përpara se të nisni kositjen.

► **Fig.16:** 1. Treguesi i nivelit

► **Fig.17:** 1. Treguesi i nivelit

Rregullimi i lartësisë së dorezës

Lartësia e dorezës mund të rregullohet në tri nivele. Lironi dadot me veshë ndërkohë që mbani dorezën, më pas rregulloni lartësinë e dorezës duke bashkëndritur shigjetën me një prej shenjave, më pas shtrëngoni dadot me veshë.

► **Fig.18:** 1. Dadoja me veshë 2. Shenja 3. Shigjeta

Sistemi i mbrojtjes së motorit (releja e mbirrymës)

▲ PARALAJMËRIM: Nëse makineria ndalon papritur gjatë përdorimit, lëshoni levën e çelësit dhe shkëputni kordonin zgjatues. Përndryshe, makineria mund të riniset papritur dhe të shkaktojë lëndim.

▲ KUUJDES: Përpara se të hiqni një objekt që ngec fletën, sigurohuni që të vishni doreza dhe të shkëputni kordonin zgjatues nga priza e energjisë.

Nëse bari i prerë ose papastërtitë ngecin brenda trupit kryesor, makineria ndalon automatikisht për të mbrojtur motorin (releja e mbirrymës). Në këtë rast, shkëputni kordonin zgjatues nga priza e rrymës, më pas hiqni materialin që shkakton ngecjen dhe më pas lëreni makinerinë të ftohet për pak minuta përpara se ta ndizni makinerinë.

SHËNIM: Releja e mbirrymës mund të aktivizohet kur brenda në trupin kryesor ngec bar i lagur ose i gjatë.

PËRDORIMI

Kositja

▲ PARALAJMËRIM: Përpara se të nisni kositjen, hiqni gurët dhe shkopinjët nga zona e kositjes. Më pas, hiqni paraprakisht bimët e mëdha nga zona e kositjes.

► **Fig.19**

▲ PARALAJMËRIM: Vendosni gjithmonë syzet mbrojtëse ose syzet e sigurisë me mbrojtëse në anë gjatë përdorimit të kositësës.

▲ KUUJDES: Nëse bari i prerë ose objekte të huaja bllokojnë pjesën e brendshme të trupit të kositësës, sigurohuni që të fikni energjinë dhe më pas shkëputni kordonin zgjatues nga priza e energjisë. Përpara se të hiqni barin ose objektin e huaj, sigurohuni që të vishni doreza.

▲ KUUJDES: Sigurohuni që të instaloni koshin e barit kur përdorni makinerinë.

VINI RE: Përdoreni këtë makineri vetëm për kositjen e barit dekorativ. Mos kositni barërat e këqija me këtë makineri.

Gjatë kositjes mbajeni fort me të dyja duart dorezën.

► **Fig.20**

Si udhëzues shpejtësia e kositjes është rreth një metër në katër sekonda.

► **Fig.21**

Filloni kositjen pranë prizës së rrymës për t'u siguruar që kordonin zgjatues të mos bëhet pengesë.

► **Fig.22:** 1. Priza e energjisë 2. Kordoni zgjatues

Mos lejoni që kordoni zgjatues të kalojë poshtë ose të ngecë poshtë makinerisë.

► **Fig.23**

► **Fig.24**

Vijat në të dyja anët e trupit kryesor janë udhëzues për gjerësinë e kositjes. Duke përdorur vijat si udhëzues, kositni në shirita. Mbivendosni një të dytën deri në një të tretën e shiritit të mëparshëm për të kositur barin në mënyrë të njëtrajtshme.

► **Fig.25:** 1. Gjerësia e kositjes 2. Zona e mbivendosjes 3. Vija

Ndryshoni drejtimin e kositjes çdo herë për të mos lejuar që motivi i barit të formohet vetëm në një drejtim.

► **Fig.26**

Kontrolloni periodikisht koshin e barit për barin e kositur. Zbrazeni koshin përpara se të mbushet. Përpara çdo kontrolli periodik, sigurohuni që të ndaloni makinerinë.

SHËNIM: Përdorimi i kositësës kur koshi i barit është plot parandalon rrotullimin pa probleme të diskut dhe ngarkon më tepër motorin, gjë e cila mund të çojë në prishjen e tij.

Kositja e barit të gjatë

Mos u përpini ta prisni barin e gjatë brenda një dite. Në vend të kësaj, kositeni barin në disa hapa. Lini një ose dy ditë kohë mes kositjeve derisa bari të ketë gjatësi të njëtrajtshme.

► **Fig.27**

SHËNIM: Kositja e barit të gjatë në gjatësi të shkurtër brenda një dite mund të bëjë që bari të thahet. Bari i prerë gjithashtu mund të bllokohet brenda trupit të kositësës.

Kositja në cep

Kur kositni në cep, sigurohuni që ta lëvizni makinerinë përgjatë cepit.

► **Fig.28**

MIRËBAJTJA

▲PARALAJMËRIM: Përpara se të kryeni mirëmbajtje, shkëputni kordonin zgjatues nga furnizimi me energji, më pas konfirmoni që fletët të kenë ndaluar plotësisht.

▲KUJDES: Kur kryeni mirëmbajtje, gjithmonë vishni doreza.

Për të ruajtur SIGURINË dhe QËNDRUESHMËRINË, riparimet dhe çdo mirëmbajtje apo rregullim tjetër duhen kryer nga qendrat e autorizuar të shërbimit ose të shërbimit të fabrikës të Makita-s, duke përdorur gjithnjë pjesë këmbimi të Makita-s.

Mirëmbajtja pas kositjes

Pas kositjes, fshijeni makinerinë me një leckë të thatë ose një leckë të njomur në ujë me sapun. Gjithashtu, përdorni një furçë të butë për të fshirë prerjet e barit dhe papastërtitë nga fletët.

VINI RE: Mos përdorni kurrë benzinë, benzinë pastrimi, hollues, alkool dhe të ngjashme. Mund të shkaktoni çngjyrosje, deformime ose krisje.

Magazinimi

1. Shkëputni kordonin zgjatues.
▶ **Fig.29:** 1. Kordoni zgjatues
2. Hapni kapakun e pasmë dhe më pas hiqni koshin e barit.
▶ **Fig.30:** 1. Kapaku i pasmë 2. Koshi i barit
3. Lironi dadot me veshë ndërsa mbani dorezën, më pas zgjeroheni dorezën jashtë pak dhe më pas paloseni dorezën.
▶ **Fig.31:** 1. Dadoja me veshë 2. Doreza 3. Shenja 4. Shigjeta

▲KUJDES: Kur palosni dorezën, kini kujdes të mos ju ngecë dora ose gishtat.

SHËNIM: Sigurohuni që shigjeta të tregojë shenjën në pozicionin më të përparmë.

4. Shtërngoni dadot me veshë.
▶ **Fig.32:** 1. Dadoja me veshë
5. Hapni levat dhe më pas vendosni kordonin mbi levë.
▶ **Fig.33:** 1. Leva 2. Kordoni
6. Ktheni levat në pozicion gjysmë siç tregohet në figurë.
▶ **Fig.34:** 1. Leva
7. Palosni dorezën.
▶ **Fig.35:** 1. Doreza
8. Vendoseni makinerinë siç tregohet në figurë.
▶ **Fig.36**

▲KUJDES: Sigurohuni që ta ruani këtë makineri në ambient të brendshëm dhe vendoseni në një sipërfaqe të sheshtë. Përndryshe, makineria mund të bjerë dhe të shkaktojë lëndim.

Ju gjithashtu mund ta magazinoni makinerinë si vijon.

1. Shkëputni kordonin zgjatues.
▶ **Fig.37:** 1. Kordoni zgjatues
2. Hapni kapakun e pasmë dhe më pas hiqni koshin e barit.
▶ **Fig.38:** 1. Kapaku i pasmë 2. Koshi i barit
3. Vendosni lartësinë e kositjes me levën rregulluese.

Për ELM3320/ELM3720:

Vendosni lartësinë e kositjes në "1".

▶ **Fig.39:** 1. Leva e rregullimit

Për ELM4120:

Vendosni lartësinë e kositjes në "2".

▶ **Fig.40:** 1. Leva e rregullimit

4. Lironi dadot me veshë ndërsa mbani dorezën, më pas zgjeroheni dorezën jashtë pak dhe më pas paloseni dorezën.
▶ **Fig.41:** 1. Dadoja me veshë 2. Doreza 3. Shenja 4. Shigjeta

▲KUJDES: Kur palosni dorezën, kini kujdes të mos ju ngecë dora ose gishtat.

SHËNIM: Sigurohuni që shigjeta të tregojë shenjën në pozicionin më të përparmë.

5. Shtërngoni dadot me veshë.
▶ **Fig.42:** 1. Dadoja me veshë
6. Vendoseni makinerinë siç tregohet në figurë.
▶ **Fig.43**

▲KUJDES: Sigurohuni që ta ruani këtë makineri në ambient të brendshëm dhe vendoseni në një sipërfaqe të sheshtë. Përndryshe, makineria mund të bjerë dhe të shkaktojë lëndim.

Ju gjithashtu mund ta magazinoni makinerinë duke palosur dorezën.

▲KUJDES: Përpara hapjes së levave, mbajeni mirë dorezën e sipërme. Përndryshe, doreza mund të bjerë dhe të shkaktojë lëndim.

1. Hapni levat ndërsa mbani dorezën e sipërme.
▶ **Fig.44:** 1. Leva
2. Palosni dorezën e sipërme.
▶ **Fig.45:** 1. Doreza e sipërme

Ndërrimi i fletës së kositjes

▲KUJDES: Mos përdorni çelësa fiso ndryshe nga çelësi standard heksagonal kur ndërroni fletën e kositjes. Përdorimi i një çelësi fiso të ndryshëm mund të sjellë shtërngim ose lirim të tepërt, që mund të shkaktojë lëndim.

1. Shkëputni kordonin zgjatues dhe vendoseni makinerinë në këmbë. (Referojuni udhëzimeve për magazinimin.)
2. Futni kunjin në vrimë dhe më pas mbani dorezën me njërën dorë dhe lironi bulonin me çelësin fiso në drejtim të kundërt të akrepave të orës.
► **Fig.46:** 1. Fleta 2. Çelësi fiso 3. Kunji

3. Hiqni fletën e kositëses.

Për ELM3320

Hiqni bulonin, rondelën, fletën e kositjes dhe kllapën në rendin e duhur.

- **Fig.47:** 1. Kllapa 2. Fleta e kositëses 3. Rondela
4. Buloni

Për ELM3720/ELM4120

Hiqni bulonin, rondelën, fletën e kositjes, kllapën dhe distancatori në rendin e duhur.

- **Fig.48:** 1. Distancatori 2. Kllapa 3. Fleta e kositëses
4. Rondela 5. Buloni

4. Bashkoni një fletë të re kositëseje, më pas futni kunjin në vrimë, dhe më pas mbani dorezën me njërën dorë dhe shtrëngoni bulonin me çelësin fiso fort në drejtim të akrepave të orës.

- **Fig.49:** 1. Disku i kositëses 2. Çelësi fiso 3. Kunji

Kordoni zgjatues

Ju duhet të përdorni vetëm kordonë zgjatues për përdorim të jashtëm, kordon PVC-je ose gome për përdorim normal me sipërfaqe prerjeje tërthore jo më pak se 1,5 mm².

Përpara dhe gjatë përdorimit, kontrolloni kordonin e furnizimit me rrymë dhe kordonin zgjatues për dëmtim. Mos e përdorni pajisjen nëse kordoni është dëmtuar ose konsumuar. Mbajeni kordonin zgjatues larg elementeve prerëse. Nëse kordoni dëmtohet gjatë përdorimit, shkëputeni kordonin menjëherë nga furnizimi me energji. Mos e prekni kordonin përpara se të jetë shkëputur furnizimi me energji.

AKSESORË OPSIONALË

▲KUJDES: Këta aksesorë ose shtojca rekomandohen për përdorim me veglën Makita të përcaktuar në këtë manual. Përdorimi i aksesorëve apo shtojcave të tjera ndryshe nga këto mund të përbëjë rrezik lëndimi. Aksesorët ose shtojcat përdorini vetëm për qëllimin e tyre të përcaktuar.

Nëse keni nevojë për më shumë të dhëna në lidhje me aksesorët, pyesni qendrën vendore të shërbimit të Makita-s.

- Disku i kositëses

SHËNIM: Disa artikuj të listës mund të përfshihen në paketën e veglës si aksesorë standardë. Ato mund të ndryshojnë nga njëri shtet në tjetrin.

СПЕЦИФИКАЦИИ

Модел:	ELM3320	ELM3720	ELM4120	
Обороти на празен ход	3 400 мин ⁻¹			
Височина на рязане	20 мм – 55 мм		20 мм – 75 мм	
Ширина на рязане	330 мм	370 мм	410 мм	
Номер на част на резервен диск на косачката	YA00000731	YA00000732	YA00000733	
Размери (Д x Ш x В)	По време на работа (с кошницата за трева)	Д: 1 040 мм до 1 230 мм Ш: 380 мм В: 870 мм до 1 110 мм	Д: 1 140 мм до 1 330 мм Ш: 415 мм В: 890 мм до 1 120 мм	Д: 1 255 мм до 1 470 мм Ш: 460 мм В: 955 мм до 1 230 мм
	По време на съхранение (с кошницата за трева)	350 мм x 380 мм x 1 090 мм	335 мм x 415 мм x 1 090 мм	395 мм x 460 мм x 1 220 мм
Нето тегло	10,2 кг	11,6 кг	14,5 кг	
Клас на безопасност	II			

- Поради нашата непрекъсната научно-развойна дейност посочените тук спецификации могат да бъдат променени без предизвестие.
- Спецификациите може да са различни в различните държави.
- Теглото може да бъде различно в зависимост от приставката(ите). Най-леката и най-тежката комбинация в съответствие с процедурата на ЕРТА 01/2014 са показани в таблицата.

СИМВОЛИ

По-долу са описани символите, използвани за тази машина. Задължително се запознайте с техните значения, преди да пристъпите към работа.



Необходимо е особено внимание. Прочетете ръководството за експлоатация.



ДВОЙНА ИЗОЛАЦИЯ



Опасност; внимавайте за изхвърчащи предмети. Разстоянието между инструмента и намиращите се наоколо хора трябва да бъде поне 15 м.



Изчакайте докато всички компоненти на машината спрат окончателно да се движат, преди да ги докоснете.



Дръжте гъвкавия захранващ кабел надалече от режещите дискове.



Ползвайте само остри дискове. Дисковете продължават да се въртят и след изключването на двигателя. Изключвайте машината преди извършване на поддръжка или ако кабелът е повреден.



Шумът от машината не превишава 96 dB.



Дръжте ръцете и краката си далеч. Не работете с косачката без поставени на място предпазители и крайници.



Само за страни от ЕС
Не изхвърляйте електрооборудване заедно с битовите отпадъци! При спазване на Европейската директива за отпадъците от електрическо и електронно оборудване и приложението и съгласно националното законодателство, бракуваното електрическо оборудване трябва да се събира отделно и да се връща в места за рециклиране, съобразени с изискванията за опазване на околната среда.

Предназначение

Машината е предназначена за косене на тревни площи. Не я използвайте за никакви други цели. Използването на машината за дейности, които не са по предназначение, може да доведе до опасна ситуация.

Захранване

Инструментът трябва да се включва само към захранване със същото напрежение, като посоченото на фирмената табелка и работи само с монофазно променливо напрежение. Той е с двойна изолация и затова може да се включва и в контакти без заземяване.

Ако захранващият кабел е повреден, той трябва да се смени от производителя или от негов сервизен представител, за да се избегне възникването на опасност.

За обществени електроразпределителни мрежи с ниско напрежение от 220 V до 250 V

Включването и изключването на електрически уреди води до колебания на напрежението. Използването на тази машина с неподходящо електрическо съхраняване може да има неблагоприятно влияние върху работата на други уреди. Може да се приеме, че ако импедансът на електрическата мрежа е равен или по-малък от 0,425 ома (за ELM3720) или 0,427 ома (за ELM4120), няма да има отрицателно влияние. Електрическият контакт, използван за тази машина, трябва да бъде защитен с предпазител или предпазен автоматичен прекъсвач с бавно задействане.

Шум

Приложим стандарт : EN60335

Модел	Ниво на звуково налягане		Ниво на звукова мощност	
	L _{PA} (dB(A))	Коефициент на неопределеност K (dB (A))	L _{PA} (dB(A))	Коефициент на неопределеност K (dB (A))
ELM3320	83	3	94	2
ELM3720	83	3	94	1
ELM4120	84	3	93	2

ЗАБЕЛЕЖКА: Обявената(ите) стойност(и) на шумовите емисии e(sa) измерена(и) в съответствие със стандартни методи за изпитване и може да се използва(т) за сравняване на инструменти.

ЗАБЕЛЕЖКА: Обявеното(ите) стойност(и) на шумови емисии може да се използва(т) също и за предварителна оценка на вредното въздействие.

▲ПРЕДУПРЕЖДЕНИЕ: Използвайте предпазни средства за слуха.

▲ПРЕДУПРЕЖДЕНИЕ: Нивото на шума при работа с електрическия инструмент може да се различава от обявената(ите) стойност(и) в зависимост от начина на използване на инструмента, по-специално какъв детайл се обработва.

▲ПРЕДУПРЕЖДЕНИЕ: Задължително определете предпазни мерки за защита на оператора въз основа на оценка на риска в реални работни условия (като се вземат предвид всички етапи на работния цикъл, като например момента на изключване на инструмента, работата на празен ход, както и времето на задействане).

Вибрации

Общата стойност на вибрациите (сума от три осови вектора), определена съгласно EN60335:

Модел ELM3320

Ниво на вибрациите (a_h): 2,5 m/c² или по-малко
Коефициент на неопределеност (K): 1,5 m/c²

Модел ELM3720

Ниво на вибрациите (a_h): 2,5 m/c² или по-малко
Коефициент на неопределеност (K): 1,5 m/c²

Модел ELM4120

Ниво на вибрациите (a_h): 2,5 m/c² или по-малко
Коефициент на неопределеност (K): 1,5 m/c²

ЗАБЕЛЕЖКА: Обявената(ите) обща(и) стойност(и) на вибрациите e(sa) измерена(и) в съответствие със стандартни методи за изпитване и може да се използва(т) за сравняване на инструменти.

ЗАБЕЛЕЖКА: Обявената(ите) обща(и) стойност(и) на вибрациите може да се използва(т) също и за предварителна оценка на вредното въздействие.

▲ПРЕДУПРЕЖДЕНИЕ: Нивото на вибрациите при работа с електрическия инструмент може да се различава от обявената(ите) стойност(и) в зависимост от начина на използване на инструмента, по-специално какъв детайл се обработва.

▲ПРЕДУПРЕЖДЕНИЕ: Задължително определете предпазни мерки за защита на оператора въз основа на оценка на риска в реални работни условия (като се вземат предвид всички етапи на работния цикъл, като например момента на изключване на инструмента, работата на празен ход, както и времето на задействане).

ЕО декларация за съответствие

Само за европейските страни

ЕО декларацията за съответствие е включена като Анекс А към тази инструкция за употреба.

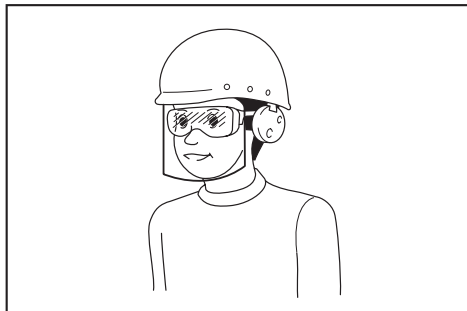
ПРЕДУПРЕЖДЕНИЯ ЗА БЕЗОПАСНОСТ

ВАЖНИ ИНСТРУКЦИИ ЗА БЕЗОПАСНОСТ

▲ ПРЕДУПРЕЖДЕНИЕ: Прочетете всички предупреждения за безопасност и всички инструкции. При неспазване на предупрежденията и инструкциите има опасност от токов удар, пожар и/или тежко нараняване.

Запазете всички предупреждения и инструкции за справка в бъдеще.

1. Децата трябва да се наблюдават, за да не се допусне да си играят с косачката.
2. Никога не допускайте деца или лица, непознати с инструкциите, да използват косачката. Местните закони могат да предвиждат ограничения за възрастта на оператора.
3. Никога не работете с косачката в близост до хора, особено до деца, или до домашни любимци.
4. Не забравяйте, че операторът/потребителят носи отговорност за инциденти или опасни ситуации с други лица или тяхната собственост.
5. Когато работите с косачката, винаги носете високи и солидни обувки и дълги панталони. Не работете с косачката боси или обути с отворени сандали. Не носете свободно падащи дрехи или бижута, или такива с висящи верижки или връзки. Може да бъдат захванати от движещите се части.
6. Когато използвате електрически инструменти, винаги носете защитни очила, за да предпазите очите си от нараняване. Очилата трябва да съответстват на ANSI Z87.1 в САЩ, EN 166 в Европа или AS/NZS 1336 в Австралия/Нова Зеландия. Освен това, в Австралия/Нова Зеландия има законово изискване за носене на маска за защита на лицето.



Работодателят е длъжен да наложи използването на подходящи предпазни средства от операторите на инструментите и всички лица, намиращи се непосредствено в работната зона.

7. Преди да използвате машината, проверете хранящия източник и хранящия кабел за наличие на признаци на повреда или стареене. Ако кабелът се повреди по време на използване, изключете го незабавно от контакта. Не докосвайте кабела, преди да сте го изключили от контакта. Не използвайте косачката, ако кабелът е повреден или износен.
8. Работете с косачката само на дневна светлина или на добро изкуствено осветление.
9. Не работете с косачката в мокра трева.
10. Никога не работете с косачката в дъждовно време.
11. Винаги дръжте здраво ръкохватката.
12. Винаги стъпвайте стабилно, когато сте на наклон.
13. Ходете, никога не тичайте.
14. Когато вдигате или държите косачката, не я хващайте за подаващите се режещи дискове или режещи ръбове.
15. Физическо състояние – не работете с косачката, когато се намирате под въздействие на наркотици, алкохол или кавито и да е лекарства.
16. Дръжте ръцете и краката си далеч от въртящите се дискове. Внимание – дисковете се движат по инерция след изключването на косачката.
17. Използвайте само оригиналните дискове от производителя, посочени в настоящото ръководство.
18. Преди да пристъпите към работа, проверете внимателно за пукнатини или повреди по дисковете. Ако има пукнатини или повреди, незабавно сменете дисковете.
19. Преди да пристъпите към косене се уверете, че в зоната на косене няма други хора. Спрете косачката, ако някой влезе в зоната на косене.
20. Отстранете твърдите предмети като камъни, тел, бутилки, кости и големи клонки от работния район преди косене, за да предотвратите нараняване или повреда на косачката.
21. Ако забележите нещо необичайно, незабавно спрете работа. Изключете косачката и извадете хранящия кабел от контакта. След това проверете косачката.
22. Никога не се опитвайте да регулирате височината на колелата, докато косачката работи.
23. Освободете лоста на прекъсвача и изчакайте да спре въртенето на дисковете, преди да пресечете алеи, пътеки, пътища и покрити с чакъл участъци. Освен това изваждайте хранящия кабел от контакта, когато оставяте косачката, пресягате се да вземете или премахнете предмети от пътя, или поради други причини, които може да ви разсейват от работата.

24. Предмети, ударени от диска на косачката, могат сериозно да наранят хора. Тревната площ трябва винаги внимателно да се оглежда и почиства от предмети преди всяко косене.
25. Ако косачката удари чужд предмет, изпълнете следните стъпки:
 - Спрете косачката, освободете лоста на прекъсвача и изчакайте до пълното спиране на дисковете.
 - Извадете хранящия кабел от контакта.
 - Щателно проверете косачката за повреди.
 - Сменете диска, ако е повреден по какъвто и да е начин. Ремонтирайте евентуалните повреди, преди отново да включите косачката и да продължите работа с нея.
26. Проверявайте често кошницата за трева за износване или влошено състояние. При съхранение винаги проверявайте дали кошницата за трева е празна. Сменете износената кошница за трева с нова, фабрична, по съображения за безопасност.
27. Бъдете изключително внимателни, когато обръщате посоката на движение или дърпате косачката към себе си.
28. Спрете диска(овете), ако косачката трябва да се наклони за транспортиране при пресичане на терен, различен от трева, и при транспортиране на косачката до и от зоната, на която ще се използва.
29. Никога не работете с косачка с дефектни предпазители или щитове, или без поставени предпазни средства, например дефлектори и/или кошница за трева.
30. Внимателно включете двигателя съгласно инструкциите, като държите краката си далече от диска(овете).
31. Не наклоняйте косачката при включване на двигателя освен ако тя не трябва да се наклони за стартиране. В този случай не я наклоняйте повече от абсолютно необходимото и повдигайте само частта, която е отделена от оператора. Двете ви ръце винаги трябва да бъдат в работно положение, преди да поставите отново машината на земята.
32. Не стартирайте двигателя, когато стоите пред изходния ръкав.
33. Не поставяйте ръцете или краката си в близост до въртящи се части или под тях. Никога не заставайте пред изходния отвор.
34. Не транспортирайте косачката, докато е включена.
35. Спрете косачката и извадете щепсела от електрическия контакт. Уверете се, че всички движещи се части са напълно спрели
 - когато оставяте косачката,
 - преди почистване на блокиране или освобождаване на изходния ръкав,
 - преди проверка, почистване или работа по косачката,
 - след удар с външен предмет. Преди повторно пускане в ход и работа, проверете косачката за повреди и извършете необходимия ремонт.
36. Ако косачката започне да вибрира ненормално (проверете незабавно)
 - проверете за повреди,
 - сменете или ремонтирайте всички повредени части,
 - проверете и затегнете разхлабените части.
37. Внимавайте при настройка на косачката да не захванете пръстите си между движещите се дискове и неподвижните части на косачката.
38. Косете наклонени тревни площи, като се придвижвате напречно, а не нагоре и надолу. Бъдете изключително внимателни, когато сменяте посоката при работа по наклон. Не косете прекалено стръмни склонове.
39. Не мийте с маркуч; внимавайте да не попадне вода в двигателя и електрическите връзки.
40. Периодично проверявайте дали свързващият болт е правилно затегнат.
41. За да сте сигурни, че оборудването е в добро работно състояние, поддържайте всички гайки, болтове и винтове здраво затегнати.
42. Внимавайте, тъй като завъртането на един диск може да доведе до завъртането и на другите.
43. Винаги оставайте косачката да се охлади преди съхранение.
44. Когато обслужвате дисковете, имайте предвид, че макар електрозахранването да е изключено, дисковете все още може да се движат.
45. За осигуряване на безопасност, сменяйте износените или повредените части. Използвайте само оригинални резервни части и принадлежности.
46. Дайте вашия електрически инструмент за сервизно обслужване от квалифициран техник, който ползва само оригинални резервни части. Така ще осигурите поддържането на безопасността на електрическия инструмент.
47. Следвайте инструкциите за смазване и смяна на принадлежности.
48. Поддържайте ръкохватките сухи, чисти и без масло или грес.
49. Погрижете се напрежението и честотата на хранящия източник да съответстват на спецификациите, посочени върху идентификационната табелка. Препоръчваме да се използва изключвател на веригата с диференциалнотокова защита (изключвател при късо съединение към земя) с ток на задействане 30 mA или по-малко, или предпазител за ток на утечка към земята.
50. Тази машина може да се използва от деца на възраст 8 или повече години и от хора с намалени физически, сетивни или умствени възможности, или без опит и познания, ако те са под надзор или са били обучени относно безопасното използване на машината и разбират възможните опасности. Почистването и техническото обслужване от потребителя не трябва да се извършват от деца без надзор.

Остатъчни рискове

Дори ако работите с този продукт в съответствие с всички изисквания за безопасност, остават потенциални рискове от нараняване и повреди. Във връзка с конструкцията и дизайна на този продукт може да възникнат следните опасности.

1. Увреждания на здравето в резултат от излъчването на вибрации, ако продуктът се използва за дълги периоди от време или ако с него не се борава по подходящ начин и той не се поддържа правилно.
2. Наранявания и материални щети поради счупване на работни инструменти или внезапен удар от скрити предмети по време на използване.
3. Опасност от нараняване и материални щети, причинени от летящи предмети.

▲ ПРЕДУПРЕЖДЕНИЕ: По време на работата си този продукт създава електромагнитно поле. При някои обстоятелства това поле може да доведе до смущения в действието на активни или пасивни медицински импланти. За да се намали рискът от сериозно или фатално нараняване, препоръчваме на лицата с медицински импланти да се консултират с лекаря си и с производителя на медицинския имплант, преди да работят с продукта.

ЗАПАЗЕТЕ НАСТОЯЩИТЕ ИНСТРУКЦИИ.

▲ ПРЕДУПРЕЖДЕНИЕ: НЕ позволявайте комфорта от познаването на продукта (придобит при дългата му употреба) да замени стриктното спазване на правилата за безопасност за въпросния продукт.

НЕПРАВИЛНАТА УПОТРЕБА и неспазването на правилата за безопасност, посочени в настоящото ръководство за експлоатация, може да доведе до тежки наранявания.

СГЛОБЯВАНЕ

▲ ВНИМАНИЕ: Преди да извършвате някакви работи по инструмента, винаги се уверявайте, че той е изключен от бутона и от контакта.

Монтиране на ръкохватката

1. Извадете горната ръкохватка от главния модул на машината.
► **Фиг.1:** 1. Горна ръкохватка
2. Разхлабете гайките с накатка.
► **Фиг.2:** 1. Гайка с накатка
3. Разширете леко ръкохватката навън, след което я повдигнете.
► **Фиг.3:** 1. Ръкохватка

4. Регулирайте височината на ръкохватката, като подравните стрелката с маркера.

► **Фиг.4:** 1. Гайка с накатка 2. Знак 3. Стрелка

5. Затегнете гайките с накатка.

► **Фиг.5:** 1. Гайка с накатка

6. Прикрепете горната ръкохватка, като вкарате лостовите от външната ѝ страна и след това затегнете гайките с гаечния ключ, за да закрепите ръкохватката.

► **Фиг.6:** 1. Лост 2. Гайка

7. Закрепете кабелите със скобите, както е показано на фигурата.

► **Фиг.7:** 1. Скоба

Монтиране на кошницата за трева

1. Прикрепете тръбите на кошницата за трева към рамката.

► **Фиг.8:** 1. Тръба 2. Рамка

2. Отворете задния капак.

► **Фиг.9:** 1. Заден капак

3. Закачете кошницата за трева от задната страна на машината.

► **Фиг.10**

За да свалите кошницата за трева, изпълнете процедурата за монтаж в обратен ред.

Свързване на удължителен кабел.

▲ ПРЕДУПРЕЖДЕНИЕ: Когато свързвате удължителния кабел към щепсела на охранващия кабел на машината, уверете се, че лостът на прекъсвача е освободен и кабелът е изключен от охранващия източник.

▲ ПРЕДУПРЕЖДЕНИЕ: Не свързвайте и не разединявайте удължителния кабел с мокри ръце.

БЕЛЕЖКА: Когато свързвате удължителния кабел към щепсела на охранващия кабел на машината, уверете се, че го поставяте докрай в гнездото.

Когато свързвате удължителния кабел, закачете го на куката на ръкохватката, както е показано на фигурата, за да предотвратите непреднамерено изключване при прилагане на твърде голямо усилие върху щепсела.

► **Фиг.11:** 1. Кука 2. Удължителен кабел.

ОПИСАНИЕ НА ФУНКЦИИТЕ

Регулиране на височината на косене

▲ ПРЕДУПРЕЖДЕНИЕ: Преди да регулирате височината на косене, изключете удължителния кабел от захранващия източник и проверете дали дисковете са спрели напълно да се движат.

▲ ПРЕДУПРЕЖДЕНИЕ: Никога не поставяйте ръцете или краката си под корпуса на косачката, когато регулирате височината на косене.

Можете да регулирате височината на косене в диапазона 20 мм до 55 мм (за ELM3320/ELM3720) или 20 мм до 75 мм (за ELM4120). Височината на косене може да се регулира на 3 нива (за ELM3320/ELM3720) или на 7 нива (за ELM4120).

За ELM3320/ELM3720

► **Фиг.12:** 1. Регулиращ лост

За ELM4120

► **Фиг.13:** 1. Регулиращ лост

Дръжте ръкохватката с една ръка, а с другата ръка преместете регулиращия лост.

► **Фиг.14:** 1. Регулиращ лост

ЗАБЕЛЕЖКА: Изпробвайте регулировката с тестово окосяване на не много видимо място, за да получите желаната височина.

Включване

▲ ПРЕДУПРЕЖДЕНИЕ: Преди да включите инструмента в електрическия контакт, винаги проверявайте дали лостът на прекъсвача работи нормално и се връща в положение „OFF“ (ИЗКЛ.) при отпускането му.

▲ ПРЕДУПРЕЖДЕНИЕ: За ваша безопасност тази машина е снабдена с бутон за деблокиране, който предотвратява неволното стартиране на инструмента. Никога не използвайте машината, ако се включва, когато натиснете лоста на прекъсвача, без да сте натиснали бутона за деблокиране. Обърнете се към местния сервизен център на Makita за извършване на ремонти.

▲ ПРЕДУПРЕЖДЕНИЕ: Никога не деактивирайте функцията за блокиране и не залепвайте с лепенка бутона за деблокиране, така че да е постоянно натиснат.

БЕЛЕЖКА: Не натискайте силно лоста на прекъсвача, без да е натиснат бутонът за деблокиране. Прекъсвачът може да се счупи.

За включване на машината натиснете бутона за деблокиране и след това стиснете лоста на прекъсвача. За да спрете машината, освободете лоста на прекъсвача.

► **Фиг.15:** 1. Лост на прекъсвача 2. Бутон за деблокиране

Индикатор за нивото на кошницата за трева

Индикаторът за нивото на кошницата за трева се отваря по време на косене, ако кошницата не е пълна. Ако кошницата за трева е пълна, индикаторът за нивото се затваря по време на косенето. Ако кошницата за трева е пълна, изпразнете я преди да започнете да косите.

► **Фиг.16:** 1. Индикатор за нивото

► **Фиг.17:** 1. Индикатор за нивото

Регулиране на височината на ръкохватката

Височината на ръкохватката може да се регулира на три нива. Разхлабете гайките с накатка, докато държите ръкохватката, след което регулирате височината на ръкохватката, като подравните стрелката с един от маркерите, и после затегнете гайките с накатка.

► **Фиг.18:** 1. Гайка с накатка 2. Знак 3. Стрелка

Система за защита на двигателя (максималнотоково реле)

▲ ПРЕДУПРЕЖДЕНИЕ: Ако машината внезапно спре, докато работите с нея, отпуснете лоста на прекъсвача и изключете удължителния кабел. В противен случай машината може внезапно да се рестартира и това да доведе до нараняване.

▲ ВНИМАНИЕ: Преди да отстраните предмет, който се е заклепил в режещия диск, не забравяйте да си сложите ръкавици и да изключите удължителния кабел от електрическия контакт.

Ако в основния корпус на машината се заклеят отрязана трева или замърсявания, машината спира автоматично, за да предпази двигателя (максималнотоково реле). В такъв случай изключете удължителния кабел от електрическия контакт, след което отстранете заклецилия се материал и оставете машината да се охлади няколко минути, преди да я включите отново.

ЗАБЕЛЕЖКА: Максималнотоковото реле може да се активира при захващане на мокра или дълга трева в основния корпус на машината.

Експлоатация

Косене

▲ ПРЕДУПРЕЖДЕНИЕ: Преди да пристъпите към косене, разчистете всички пръчки и камъни от тревната площ, която ще косите. Освен това разчистете предварително плевелите от площта за косене, ако има такива.

► Фиг.19

▲ ПРЕДУПРЕЖДЕНИЕ: Винаги носете предпазни очила със странични екрани, когато работите с косачката.

▲ ВНИМАНИЕ: Ако в корпуса на косачката се заключат отрязана трева или чужди предмети, на всяка цена изключете захранването и след това изключете удължителния кабел от електрическия контакт. Преди изваждане на тревата или чуждия предмет винаги си слагайте ръкавици.

▲ ВНИМАНИЕ: Кошница Кошницата за трева трябва да е монтирана, когато машината работи.

БЕЛЕЖКА: Използвайте тази машина само за косене на тревни площи. Не косете плевели с нея.

Дръжте здраво ръкохватката с две ръце, когато косите.

► Фиг.20

Ориентировъчната скорост на косене е приблизително един метър за четири секунди.

► Фиг.21

Започнете да косите близо до електрическия контакт, за да сте сигурни, че удължителният кабел няма да се превърне в препятствие.

► Фиг.22: 1. Електрически контакт 2. Удължителен кабел.

Не допускате удължителния кабел да минава под машината или да се омотава около нея.

► Фиг.23

► Фиг.24

Линиите от двете страни на основния корпус са ориентир за ширината на косене. Използвайте линиите като ориентири, косете на ленти. Припокривайте половината до една трета от предходната лента, за да окосите тревната площ равномерно.

► Фиг.25: 1. Ширина на косене 2. Зона на припокриване 3. Линия

Променяйте всеки път посоката на косене, за да предотвратите образуването на зърниста структура на тревата само в една посока.

► Фиг.26

Периодично проверявайте окосената трева, която се намира в кошницата за трева. Изправете кошницата, преди да се напълни. Преди всяка периодична проверка не забравяйте да спрете машината.

ЗАБЕЛЕЖКА: Използването на косачката за трева с пълна кошница за трева пречи на плавното въртене на ножа и допълнително натоварва двигателя, което може да доведе до авария.

Косене на тревна площ с висока трева

Не опитвайте да окосите висока трева на едно минаване. Направете го на няколко пъти. Между отделните окосявания оставайте ден или два, докато тревата стане еднакво къса.

► Фиг.27

ЗАБЕЛЕЖКА: Косенето на висока трева много късо на едно минаване може да доведе до загиване на тревата. Отрязаната трева може също да заседне в тялото на косачката.

Косене близо до ръбове

Когато косите близо до ръб, движете машината по дължината на ръба.

► Фиг.28

ПОДДРЪЖКА

▲ ПРЕДУПРЕЖДЕНИЕ: Преди да извършите поддръжка, изключете удължителния кабел от захранващия източник и проверете дали дисковете са спрели напълно да се движат.

▲ ВНИМАНИЕ: Винаги носете ръкавици, когато извършвате поддръжка.

За да се поддържа БЕЗОПАСНОСТТА и НАДЕЖНОСТТА на продукта, ремонтите, поддръжката или регулирането трябва да се извършват от упълномощен сервиз или фабрични сервизни центрове на Makita, като винаги трябва да използвате резервни части от Makita.

Поддръжка след косене

След косене избършете машината със суха кърпа или кърпа, наkisната в сапунена вода. Освен това използвайте мека четка, за да изчеткате отрязаната трева и замърсяванията от режещите дискове.

БЕЛЕЖКА: Не използвайте бензин, нафта, разредител, спирт и др. подобни. Това може да причини обезцветяване, деформация или пукнатини.

Съхранение

1. Изключете удължителния кабел.

► Фиг.29: 1. Удължителен кабел.

2. Отворете задния капак и извадете кошницата за трева.

► Фиг.30: 1. Заден капак 2. Кошница за трева

3. Развийте гайките с накатка, докато държите ръкохватката, след което дръпнете леко ръкохватката навън и я сгънете.

► **Фиг.31:** 1. Гайка с накатка 2. Ръкохватка 3. Знак 4. Стрелка

⚠ВНИМАНИЕ: При сгъване на ръкохватката внимавайте да не прищипете ръката или пръстите си.

ЗАБЕЛЕЖКА: Уверете се, че стрелката сочи към маркера в най-предното положение.

4. Затегнете гайките с накатка.

► **Фиг.32:** 1. Гайка с накатка

5. Отворете лостовите, след което поставете кабела върху лоста.

► **Фиг.33:** 1. Лост 2. Кабел

6. Върнете лостовите в средно положение, както е показано на фигурата.

► **Фиг.34:** 1. Лост

7. Сгънете ръкохватката.

► **Фиг.35:** 1. Ръкохватка

8. Поставете машината, както е показано на фигурата.

► **Фиг.36**

⚠ВНИМАНИЕ: Непременно съхранявайте тази машина на закрито и върху равна повърхност. В противен случай машината може да падне и това да доведе до нараняване.

Можете да съхранявате машината и по следния начин.

1. Изключете удължителния кабел.

► **Фиг.37:** 1. Удължителен кабел.

2. Отворете задния капак и извадете кошницата за трева.

► **Фиг.38:** 1. Заден капак 2. Кошница за трева

3. Настройте височината на косене посредством регулиращия лост.

За ELM3320/ELM3720:

Настройте височината на косене на „1“.

► **Фиг.39:** 1. Регулиращ лост

За ELM4120:

Настройте височината на косене на „2“.

► **Фиг.40:** 1. Регулиращ лост

4. Развийте гайките с накатка, докато държите ръкохватката, след което дръпнете леко ръкохватката навън и я сгънете.

► **Фиг.41:** 1. Гайка с накатка 2. Ръкохватка 3. Знак 4. Стрелка

⚠ВНИМАНИЕ: При сгъване на ръкохватката внимавайте да не прищипете ръката или пръстите си.

ЗАБЕЛЕЖКА: Уверете се, че стрелката сочи към маркера в най-предното положение.

5. Затегнете гайките с накатка.

► **Фиг.42:** 1. Гайка с накатка

6. Поставете машината, както е показано на фигурата.

► **Фиг.43**

⚠ВНИМАНИЕ: Непременно съхранявайте тази машина на закрито и върху равна повърхност. В противен случай машината може да падне и това да доведе до нараняване.

Можете да съхранявате машината и като сгънете ръкохватката ѝ.

⚠ВНИМАНИЕ: Преди да поставите лостовите в отворено положение, хванете здраво горната ръкохватка. В противен случай тя може да падне и това да доведе до нараняване.

1. Поставете лостовите в отворено положение, докато държите здраво горната ръкохватка.

► **Фиг.44:** 1. Лост

2. Сгънете горната ръкохватка.

► **Фиг.45:** 1. Горна ръкохватка

Смяна на диска на косачката

⚠ВНИМАНИЕ: Когато сменяте диска на косачката, не използвайте никакъв друг гаечен ключ освен стандартния шестостенен ключ. Използването на друг гаечен ключ може да доведе до прекомерно или до недостатъчно затягане, което може да стане причина за нараняване.

1. Изключете удължителния кабел и изправете машината. (Прегледайте инструкциите за съхранение.)

2. Поставете щифта в отвора и след това хванете ръкохватката с едната си ръка и разхлабете болта обратно на часовниковата стрелка с помощта на гаечния ключ.

► **Фиг.46:** 1. Режещ диск 2. Гаечен ключ 3. Щифт

3. Сваляне на диска на косачката.

За ELM3320

Свалете болта, шайбата, диска на косачката и скобата в този ред.

► **Фиг.47:** 1. Скоба 2. Диск на косачката 3. Шайба 4. Болт

За ELM3720/ELM4120

Свалете болта, шайбата, диска на косачката, скобата и дистанционния елемент в този ред.

► **Фиг.48:** 1. Дистанционен елемент 2. Скоба 3. Диск на косачката 4. Шайба 5. Болт

4. Поставете нов диск на косачката, поставете щифта в отвора и след това хванете ръкохватката с едната си ръка и затегнете здраво болта по посока на часовниковата стрелка с помощта на гаечния ключ.

► **Фиг.49:** 1. Диск на косачка 2. Гаечен ключ 3. Щифт

Удължителен кабел.

Трябва да използвате само удължителни кабели, предназначени за работа на открито, PVC или гумен кабел за нормални условия, с напречно сечение не по-малко от 1,5 мм².

Преди и по време на използване на машината проверявайте захранващия източник и захранващия кабел за повреда. Не използвайте уреда, ако кабелът е повреден или износен. Дръжте удължителния кабел надалече от режещите елементи. Ако кабелът се повреди по време на използване, изключете го незабавно от захранващия източник. Не докосвайте кабела, преди да сте го изключили от контакта.

ДОПЪЛНИТЕЛНИ АКСЕСОАРИ

⚠ ВНИМАНИЕ: Препоръчва се използването на тези аксесоари или накрайници с вашия инструмент Makita, описан в настоящото ръководство. Използването на други аксесоари или накрайници може да доведе до опасност от телесни повреди. Използвайте съответния аксесоар или накрайник само по предназначение.

Ако имате нужда от помощ за повече подробности относно тези аксесоари, се обърнете към местния сервизен център на Makita.

- Диск на косачката

ЗАБЕЛЕЖКА: Някои артикули от списъка може да са включени в комплекта на инструмента, като стандартни аксесоари. Те може да са различни в различните държави.

SPECIFIKACIJE

Model:		ELM3320	ELM3720	ELM4120
Brzina bez opterećenja		3.400 min ⁻¹		
Visina rezanja		20 mm – 55 mm		20 mm – 75 mm
Širina reza		330 mm	370 mm	410 mm
Kataloški broj zamjenske oštrice kosilice		YA00000731	YA00000732	YA00000733
Dimenzije (D x Š x V)	Tijekom rada (s košem za travu)	D: 1.040 mm – 1.230 mm Š: 380 mm V: 870 mm – 1.110 mm	D: 1.140 mm – 1.330 mm Š: 415 mm V: 890 mm – 1.120 mm	D: 1.255 mm – 1.470 mm Š: 460 mm V: 955 mm – 1.230 mm
	Prilikom skladištenja (bez koša za travu)	350 mm x 380 mm x 1.090 mm	335 mm x 415 mm x 1.090 mm	395 mm x 460 mm x 1.220 mm
Neto težina		10,2 kg	11,6 kg	14,5 kg
Sigurnosna klasa		II/III		

- Zahvaljujući našem stalnom programu razvoja i istraživanja, navedene specifikacije podložne su promjenama bez obavijesti.
- Specifikacije mogu biti različite ovisno o zemlji.
- Težina se može razlikovati ovisno o dodacima. Najlakša i najteža kombinacija, sukladno s postupkom EPTA 01/2014, prikazane su u nastavku.

Simboli

U nastavku su prikazani simboli koji se koriste za opremu. Prije korištenja provjerite jeste li razumjeli njihovo značenje.



Potreban poseban oprez i pozornost. Pročitajte priručnik s uputama.



DVOSTRUKA IZOLACIJA



Opasnost; pazite na izbačene predmete. Udaljenost između alata i promatrača mora biti najmanje 15 m.



Pričekajte da se svi sastavni dijelovi stroja do kraja zaustave prije no što ih dodirnete.



Savitljivi kabel napajanja nemojte približavati reznim oštricama.



Pazite na oštre oštrice. Oštrice se nastavljaju okretati i nakon isključivanja motora. Utičak iskopčajte iz stroja prije obavljanja zahvata održavanja ili ako je kabel oštećen.



Buka stroja nije veća od 96 dB.



Nemojte približavati ruke i stopala. Kosilicom nemojte upravljati ako štitnici i dodaci nisu pravilno postavljeni.



Samo za države EU

Ne odlažite električnu opremu zajedno s komunalnim otpadom! Poštujući Europsku direktivu o otpadnoj električnoj i elektroničkoj opremi i njezinu primjenu prema nacionalnom zakonu, električna oprema kojoj je istekao rok valjanosti mora se prikupiti odvojeno i vratiti u ekološki sukladnu ustanovu za recikliranje.

Namjena

Stroj je namijenjen za košenje travnjaka. Zabranjena je upotreba stroja u druge svrhe. Upotreba stroja za zahvate kojima nije namijenjen može dovesti do opasnih situacija.

Električno napajanje

Alat se smije priključiti samo na električno napajanje s naponom istim kao na nazivnoj pločici i smije raditi samo s jednofaznim izmjeničnim napajanjem. Dvostruko su izolirani pa se mogu rabiti i iz utičnica bez uzemnog užeta.

Ako je kabel napajanja oštećen, neka ga zamijeni proizvođač ili njegov serviser kako bi se izbjegle opasne situacije.

Za javne niskonaponske distribucijske sustave između 220 V i 250 V

Uključivanje i isključivanje električnih uređaja uzrokuje fluktuacije napona. Rad ovog uređaja pod nepovoljnim uvjetima u električnoj mreži može imati negativne učinke na rad ostale opreme. Smatra se da neće biti negativnih učinaka pri impedanciji električne mreže jednakoj ili manjoj od 0,425 oma (za ELM3720) ili 0,427 oma (za ELM4120). Mrežna utičnica koja se upotrebljava za ovaj uređaj mora biti zaštićena osiguračem ili zaštitnom sklopkom sa sporim značajkama okidanja.

Važeći standard : EN60335

Model	Razina tlaka zvuka		Razina snage zvuka	
	L _{PA} (dB(A))	Neodređenost K (dB(A))	L _{PA} (dB(A))	Neodređenost K (dB(A))
ELM3320	83	3	94	2
ELM3720	83	3	94	1
ELM4120	84	3	93	2

NAPOMENA: Deklarirana vrijednost emisije buke izmjerena je prema standardnoj metodi testiranja i može se rabiti za usporedbu jednog alata s drugim.

NAPOMENA: Deklarirana vrijednost emisije buke također se može rabiti za preliminarnu procjenu izloženosti.

⚠ UPOZORENJE: Nosite zaštitu za uši.

⚠ UPOZORENJE: Emisija buke tijekom stvarnog korištenja električnog ručnog alata se može razlikovati od deklariranih vrijednosti emisije, ovisno o načinu na koji se alat rabi, posebice ovisno o tome kakav se izradak izrađuje.

⚠ UPOZORENJE: Nemojte zaboraviti da identificirate sigurnosne mjere zaštite rukovatelja koje se temelje na procjeni izloženosti u stvarnim uvjetima korištenja (uzimajući u obzir sve dijelove radnog ciklusa, poput vremena kada je alat isključen i kada on radi u praznom hodu, a također i vrijeme okidanja).

Vibracija

Ukupna vrijednost vibracija (troosni vektorski zbir) izračunata u skladu s EN60335:

Model ELM3320

Emisija vibracija (a_h) : 2,5 m/s² ili manje
Neodređenost (K): 1,5 m/s²

Model ELM3720

Emisija vibracija (a_h) : 2,5 m/s² ili manje
Neodređenost (K): 1,5 m/s²

Model ELM4120

Emisija vibracija (a_h) : 2,5 m/s² ili manje
Neodređenost (K): 1,5 m/s²

NAPOMENA: Deklarirana vrijednost ukupnih vibracija izmjerena je prema standardnoj metodi testiranja i može se rabiti za usporedbu jednog alata s drugim.

NAPOMENA: Deklarirana vrijednost ukupnih vibracija također se može rabiti za preliminarnu procjenu izloženosti.

⚠ UPOZORENJE: Emisija vibracija tijekom stvarnog korištenja električnog ručnog alata se može razlikovati od deklariranih vrijednosti emisije, ovisno o načinu na koji se alat rabi, posebice ovisno o tome kakav se izradak izrađuje.

⚠ UPOZORENJE: Nemojte zaboraviti da identificirate sigurnosne mjere zaštite rukovatelja koje se temelje na procjeni izloženosti u stvarnim uvjetima korištenja (uzimajući u obzir sve dijelove radnog ciklusa, poput vremena kada je alat isključen i kada on radi u praznom hodu, a također i vrijeme okidanja).

Izjava o sukladnosti EZ

Samo za države članice Europske unije

Izjava o sukladnosti EZ u privitku je Priloga A ovih uputa za upotrebu.

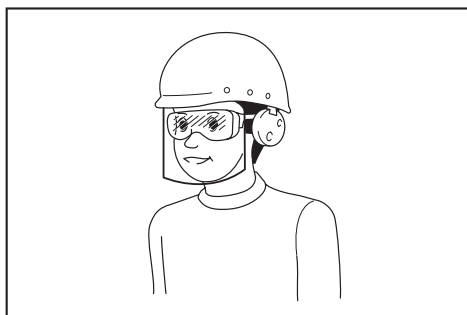
SIGURNOSNA UPOZORENJA

VAŽNE SIGURNOSNE UPUTE

⚠ UPOZORENJE: Pročitajte sva sigurnosna upozorenja i sve upute. Nepridržavanje upozorenja ili uputa može rezultirati strujnim udarom, požarom i/ili ozbiljnom ozljedom.

Sačuvajte sva upozorenja i upute radi kasnijeg korištenja.

1. Djeca moraju biti pod nadzorom kako bi se zajamčilo da se ne igraju kosilicom.
2. Nikada nemojte dopustiti djeci ili osobama koje nisu upoznate s uputama da upotrebljavaju kosilicu. Dob rukovatelja može biti ograničena lokalnim propisima.
3. Nikada ne rukujte kosilicom u blizini ljudi, osobito djece ili kućnih ljubimaca.
4. Imajte na umu da je rukovatelj ili korisnik odgovoran za nesreće ili opasnosti koje se mogu dogoditi drugim ljudima ili njihovoj imovini.
5. Tijekom rukovanja kosilicom uvijek nosite čvrstu obuću i duge hlače. Kosilicom ne rukujte bosi ili u otvorenim sandalima. Izbjegavajte nošenje široke odjeće ili nakita koji imaju viseće rese ili vezice. Pokretni dijelovi mogu ih zahvatiti.
6. Uvijek nosite zaštitne naočale kako biste zaštitili oči od ozljeđivanja električnim uređajima. Naočale moraju biti u skladu s normom ANSI Z87.1 u SAD-u, EN 166 u Europi ili AS/NZS 1336 u Australiji/Novom Zelandu. U Australiji/Novom Zelandu također je zakonski propisano nošenje maske za lice radi zaštite lica.



Poslodavac je odgovoran za provedbu mjere obveznog nošenja zaštitne opreme za rukovatelje i druge osobe u neposrednom radnom okruženju pri rukovanju alatom.

7. Prije upotrebe provjerite ima li na kabelu napajanja i strujnom kabelu tragova oštećenja ili starengja. Ako se kabel ošteti tijekom upotrebe, odmah ga isključite iz napajanja. Nemojte dodirivati kabel prije isključenja napajanja. Kosilicu nemojte upotrebljavati ako je kabel oštećen ili istrošen.
8. Strojem rukujte samo na danjem svjetlu ili pod dobrim umjetnim osvjetljenjem.
9. Izbjegavajte rukovanje strojem na mokroj travi.
10. Nikad ne radite s kosilicom po kiši.
11. Uvijek čvrsto držite ručku.
12. Uvijek održavajte stabilnost na nagibima.
13. Hodajte, nikada ne trčite.
14. Nemojte hvatati izložene rezne oštrice ili rezne rubove prilikom dizanja ili držanja kosilice.
15. Fizičko stanje – nemojte rukovati kosilicom pod utjecajem opojnih sredstava, alkohola ili bilo kakvih lijekova.
16. Držite ruke i stopala dalje od rotirajućih oštrica. Oprez – oštrice i dalje rade nakon isključenja kosilice.
17. Koristite isključivo originalne oštrice proizvođača koje su navedene u ovom priručniku.
18. Prije rada pažljivo provjerite ima li oštećenja na oštricama. Odmah zamijenite oštećene ili napuknute oštrice.
19. Prije košenja provjerite da nema drugih ljudi u radnom prostoru. Zaustavite kosilicu ako itko uđe u radni prostor.
20. Uklonite strane predmete kao što su kamenje, žice, boce, kosti i veće grane iz radnog prostora prije košenja kako biste spriječili osobne ozljede i oštećenje kosilice.
21. Odmah prekinite rad ako primijetite nešto neuobičajeno. Isključite kosilicu i iskopčajte strujni kabel iz napajanja. Zatim pregledajte kosilicu.
22. Nikad ne pokušavajte podesiti visinu kotača kod kosilica radi.
23. Otpustite ručicu prekidača i pričekajte da se oštrice prestanu okretati prije prelaska preko prilaza, staza, cesta i bilo kakvog prostora prekrivenog šljunkom. Strujni kabel iskopčajte iz napajanja i ako ostavljate kosilicu bez nadzora, pružite ruku kako biste nešto podigli ili maknuli s puta ili zbog bilo kojeg drugog razloga koji bi vas mogao omesti u poslu.
24. Predmeti udareni oštricom kosilice za travu mogu uzrokovati ozbiljne ozljede. Travnjak uvijek treba pažljivo pregledati i treba ukloniti sve predmete prije košenja.
25. Ako kosilica udari strani predmet, učinite sljedeće:
 - Zaustavite kosilicu, otpustite ručicu prekidača i pričekajte da se oštrica potpuno zaustavi.
 - Iskopčajte strujni kabel iz napajanja.
 - Temeljito pregledajte je li kosilica oštećena.
 - Zamijenite oštricu ako je na bilo koji način oštećena. Popravite oštećeni dio prije ponovnog pokretanja i nastavka rada s kosilicom.
26. Često provjeravajte stanje koša za travu zbog istrošenosti ili kvara. Kod odlaganja, uvijek provjerite je li koš za travu prazan. Iz sigurnosnih razloga, istrošeni koš za travu zamijenite novim, tvornički proizvedenim.
27. Budite veoma oprezni kada se krećete unatrag ili vučete stroj sebi.
28. Zaustavite oštrice ako morate nagnuti kosilicu pri prelasku preko površina bez trave i prijenosu kosilice na površinu i s površine koju ćete kositi.
29. Nikada nemojte rukovati kosilicom s neispravnim štitnicima ili zaštitnim elementima ili bez postavljenih sigurnosnih uređaja, kao što su otklanjači i/ili koš za travu.
30. Pažljivo uključite kosilicu u skladu s uputama i držite stopala dovoljno udaljena od oštrica.
31. Nemojte naginjati kosilicu tijekom uključivanja motora, osim ako se kosilica mora nagnuti zbog pokretanja. U tom slučaju ne naginjite stroj više no što je potrebno i podignite samo dio koji je udaljen od rukovatelja. Objе ruke moraju biti u položaju za rad prije vraćanja uređaja na tlo.
32. Ne pokrećite kosilicu dok stojite ispred otvora za pražnjenje.
33. Ne stavlajte ruke ili stopala blizu ili ispod rotirajućih dijelova. Uvijek stojite dalje od otvora za pražnjenje.
34. Kosilicu ne prenosite dok je uključena.
35. Zaustavite kosilicu i izvadite utikač iz utičnice. Provjerite jesu li svi pomoćni dijelovi u potpunosti zaustavljeni
 - svaki put kada ostavljate kosilicu,
 - prije čišćenja blokada ili oslobađanja otvora za istovar,
 - prije provjera, čišćenja ili rada na kosilici,
 - nakon udarca u strani predmet. Pregledajte je li kosilica oštećena i izvršite popravke prije ponovnog pokretanja i rukovanja kosilicom.
36. Ako kosilica počne neuobičajeno vibrirati (odmah provjerite)
 - pregledajte je li oštećena,
 - zamijenite ili popravite oštećene dijelove,
 - provjerite ima li labavih dijelova i zategnite ih.
37. Budite oprezni prilikom podešavanja kosilice kako biste spriječili da pomične oštrice i fiksni dijelovi kosilice zahvate prste.
38. Kosite ukoso na padinama, nikad u smjeru gore i dolje. Budite krajnje oprezni kod promjene smjera na padinama. Nemojte kositi na prestrmim padinama.

39. Ne perite crijevom, pazite da ne namočite motor i električne priključke vodom.
40. Redovito provjeravajte je li vijak za postavljajne oštrice ispravno zategnut.
41. Sve matice i vijke držite zategnutima kako bi oprema bila u sigurnom radnom stanju.
42. Pazite jer okretanje jedne oštrice može prouzročiti okretanje ostalih oštrica.
43. Uvijek pustite da se kosilica ohladi prije skladištenja.
44. Tijekom servisiranja oštrica ne zaboravite da se oštrice i dalje mogu pomicati, čak i kad je izvor napajanja isključen.
45. Iz sigurnosnih razloga zamijenite istrošene ili oštećene dijelove. Upotrebljavajte samo originalne zamjenske dijelove i pribor.
46. Neka vaš električni alat servisira kvalificirana osoba, koristeći samo identične rezervne dijelove. Na taj se način održava sigurnost električnog alata.
47. Slijedite upute za podmazivanje i izmjenu pribora.
48. Držite ručke suhima, čistima i bez ulja i masti.
49. Provjerite jesu li napon i frekvencija izvora električne energije u skladu sa specifikacijama navedenim na identifikacijskoj pločici. Preporučujemo upotrebu prekidača na diferencijalnu struju sa strujom isključivanja od 30 mA ili nižom, ili uzemljenog zaštitnog uređaja.
50. Ovaj stroj mogu koristiti djeca u dobi od 8 i više godina i osobe sa smanjenim fizičkim, osjetilnim ili mentalnim sposobnostima ili s nedovoljnim iskustvom i znanjem ako su pod nadzorom ili dobivaju upute za rukovanje bitne za uporabu stroja na siguran način i razumiju opasnosti koje s time dolaze. Djeci je zabranjeno čistiti i provoditi korisničko održavanje bez nadzora.

Ostale opasnosti

Čak i ako upotrebljavate proizvod u skladu sa svim sigurnosnim zahtjevima, i dalje postoje potencijalne opasnosti od ozljeđivanja i oštećenja. Sljedeće opasnosti mogu nastati zbog strukture i dizajna proizvoda.

1. Zdravstveni problemi prouzročeni vibracijama u slučaju da se proizvod koristi dulje vrijeme ili ako se ne koristi i ne održava pravilno.
2. Ozljede i materijalne štete zbog neispravnog alata ili iznenadnog udara skrivenih predmeta tijekom uporabe.
3. Opasnost od ozljeđivanja i materijalne štete zbog izlijetanja dijelova.

⚠️ UPOZORENJE: Ovaj proizvod proizvodi elektromagnetsko polje tijekom rada. To polje može u određenim okolnostima utjecati na aktivne ili pasivne medicinske implantate. Kako bi se smanjile opasnosti od ozbiljnih ili smrtonosnih ozljeda, preporučujemo osobama s medicinskim implantatima da se posavjetuju s liječnikom i proizvođačem medicinskog implantata prije rada s proizvodom.

ČUVAJTE OVE UPUTE.

⚠️ UPOZORENJE: NEMOJTE dozvoliti da udobnost ili znanje o proizvodu (stečeno stalnim korištenjem) zamijene strogo pridržavanje sigurnosnih propisa za određeni proizvod.

ZLOUPORABA ili nepridržavanje sigurnosnih propisa navedenih u ovom priručniku s uputama mogu prouzročiti ozbiljne ozljede.

MONTAŽA

⚠️ OPREZ: Prije svakog zahvata alat obavezno isključite, a priključni kabel iskopčajte iz utičnice.

Sklopanje ručke

1. Izvadite gornju ručku iz glavne jedinice stroja.
▶ **SI.1:** 1. Gornja ručka
2. Otpustite krilaste matice.
▶ **SI.2:** 1. Krilasta matica
3. Malo pomaknite ručku prema van, a zatim je podignite.
▶ **SI.3:** 1. Ručka
4. Visinu ručke podesite tako da poravnate strelicu s oznakom.
▶ **SI.4:** 1. Krilasta matica 2. Oznaka 3. Strelica
5. Zategnite krilaste matice.
▶ **SI.5:** 1. Krilasta matica
6. Gornju ručku pričvrstite tako da umetnete ručice s vanjske strane ručke, a zatim ključem zategnite matice kako biste učvrstili ručku.
▶ **SI.6:** 1. Ručica 2. Matica
7. Kabele učvrstite stezaljkama kako je prikazano na slici.
▶ **SI.7:** 1. Stezaljka

Postavljanje koša za travu

1. Cijevi koša za travu pričvrstite na okvir.
▶ **SI.8:** 1. Cijev 2. Okvir
2. Otvorite stražnji poklopac.
▶ **SI.9:** 1. Stražnji poklopac
3. Koš za travu zakvačite na unutarnju stranu stroja.
▶ **SI.10**

Koš za travu uklonite tako da primijenite isti postupak obrnutim redoslijedom.

Spajanje produžnog kabela

⚠️ UPOZORENJE: Prilikom spajanja produžnog kabela na utikač stroja provjerite je li ručica prekidača otpuštena i je li kabel iskopčan iz napajanja.

⚠️ UPOZORENJE: Produžni kabel nemojte spajati ili odspajati mokrim rukama.

NAPOMENA: Prilikom spajanja produžnog kabela na utikač stroja obavezno ga do kraja umetnite u utičnicu.

Prilikom spajanja produžnog kabela zakvačite ga preko kuke na ručki kao što je prikazano na slici kako bi se spriječilo nehotično iskopčavanje zbog prevelikog naprezanja na utikaču.

► **SI.11:** 1. Kuka 2. Produžni kabel

FUNKCIONALNI OPIS

Podešavanje visine košenja

⚠ UPOZORENJE: Prije podešavanje visine košenja iskopčajte produžni kabel iz napajanja i provjerite zaustavljaju li se oštrice u potpunosti.

⚠ UPOZORENJE: Nikad ne stavljajte ruku ili nogu ispod tijela kosilice prilikom podešavanja visine košenja.

Visinu košenja možete podesiti u rasponu od 20 mm do 55 mm (za ELM3320/ELM3720) ili 20 mm do 75 mm (za ELM4120). Visina košenja može se podesiti u 3 razine (za ELM3320/ELM3720) ili 7 razina (za ELM4120).

Za model ELM3320/ELM3720

► **SI.12:** 1. Ručica za podešavanje

Za model ELM4120

► **SI.13:** 1. Ručica za podešavanje

Ručku uhvatite jednom rukom i zatim drugom rukom pomaknite ručicu za podešavanje.

► **SI.14:** 1. Ručica za podešavanje

NAPOMENA: Košenje isprobajte na manje vidljivom mjestu kako biste dobili željenu visinu.

Uključivanje i isključivanje

⚠ UPOZORENJE: Prije uključivanja alata provjerite radi li ispravno ručica prekidača i vraća li se u položaj za isključivanje „OFF” nakon otpuštanja.

⚠ UPOZORENJE: Radi vaše sigurnosti na stroju se nalazi gumb za blokadu koji sprječava slučajno pokretanje alata. Nikada ne upotrebljavajte stroj ako se on pokrene kada povučete ručicu prekidača, a da niste pritisnuli gumb za blokadu. Za popravak se obratite lokalnom ovlaštenom servisu Makita.

⚠ UPOZORENJE: Nikada nemojte onemogućiti funkciju blokiranja ili zalijepiti vrpcom gumb za blokadu.

NAPOMENA: Nemojte na silu povlačiti ručicu prekidača ako niste pritisnuli gumb za blokadu. Sklopka može puknuti.

Stroj pokrenite tako da pritisnete gumb za blokadu i potom stegnete ručicu prekidača. Stroj zaustavite tako da otpustite ručicu prekidača.

► **SI.15:** 1. Ručica prekidača 2. Gumb za blokadu

Pokazatelj razine trave koša za travu

Pokazatelj razine koša za travu otvara se tijekom košenja ako koš za travu nije pun. Ako koš za travu nije pun, pokazatelj razine zatvara se tijekom košenja. Ako je pun, ispraznite koš za travu prije početka košenja.

► **SI.16:** 1. Pokazatelj razine

► **SI.17:** 1. Pokazatelj razine

Prilagodba visine ručke

Visina ručke može se prilagoditi na tri razine. Krilastu maticu otpustite dok držite ručku, zatim prilagodite visinu ručke poravnavajući strelicu s jednom od oznaka i zatim zategnite krilastu maticu.

► **SI.18:** 1. Krilasta matica 2. Oznaka 3. Strelica

Sustav za zaštitu motora (prekostrujni relej)

⚠ UPOZORENJE: Ako se stroj naglo zaustavi dok njime upravljate, otpustite ručicu prekidača i iskopčajte produžni kabel. U protivnom stroj bi se mogao ponovno naglo pokrenuti i uzrokovati ozljede.

⚠ OPREZ: Prije uklanjanja predmeta koji blokira oštricu obavezno nosite rukavice i iskopčajte produžni kabel iz utičnice napajanja.

Ako se odrezana trava ili prljavština blokira unutar glavnog kućišta, stroj se automatski zaustavlja kako bi se zaštitio motor (prekostrujni relej). U tom slučaju iskopčajte produžni kabel iz utičnice napajanja, a zatim uklonite materijal koji uzrokuje blokadu i zatim pustite da se stroj nekoliko minuta hladi prije ponovnog uključivanja.

NAPOMENA: Prekostrujni relej može se uključiti kada se vlažna ili duga trava zaglavi unutar glavnog kućišta.

RAD

Košenje

⚠ UPOZORENJE: Prije košenja uklonite štاپove i kamenje s područja košenja. Nadalje, uklonite korov s radnog područja prije košenja.

► **SI.19**

⚠ UPOZORENJE: Uvijek nosite zaštitne naočale ili zaštitne naočale s bočnim štitičnicima kad radite s kosilicom.

⚠ OPREZ: Ako se odrezana trava ili strani predmet blokira unutar tijela kosilice, obavezno isključite napajanje i zatim iskopčajte produžni kabel iz strujne utičnice. Prije uklanjanja trave ili stranog predmeta obavezno nosite rukavice.

⚠OPREZ: Kada radite sa strojem obavezno postavite koš za travu.

NAPOMENA: Stroj upotrebljavajte samo za košenje travnjaka. Ovim strojem nemojte kositi korov.

Čvrsto držite ručku objema rukama prilikom košenja.
▶ **SI.20**

Preporučena brzina košenja je približno jedan metar u četiri sekunde.
▶ **SI.21**

Košenje započnite u blizini strujne utičnice kako biste bili sigurni da produžni kabel ne postaje prepreka.
▶ **SI.22:** 1. Strujna utičnica 2. Produžni kabel

Nemojte dozvoliti da produžni kabel prolazi ispod stroja ili da se zaplete ispod stroja.
▶ **SI.23**
▶ **SI.24**

Linije s obje strane glavnog tijela daju orijentacijske vrijednosti širine košenja. Koristeći ove linije kao smjernice kosite u prugama. Prelazite jednom polovinom ili trećinom prethodne pruge da biste ujednačeno pokosili travnjak.

▶ **SI.25:** 1. Širina košenja 2. Područje preklapanja 3. Linija

Svaki puta promijenite smjer košenja kako biste spriječili da se uzorak zrna trave oblikuje samo u jednom smjeru.
▶ **SI.26**

Povremeno provjerite pokošenu travu u košu za travu. Ispraznite koš prije nego što se napuni. Obavezno zaustavite stroj prije svake provjere.

NAPOMENA: Upotreba kosilice za travu s punim košem za travu onemogućuje nesmetano okretanje oštrice i dodatno opterećuje motor, što može uzrokovati kvar.

Košenje visoke trave

Visoku travu ne pokušavajte pokositi u jednom navratu. Umjesto toga, travnjak pokosite u nekoliko koraka. Pustite da prođe dan ili dva između dva košenja dok trava ne naraste na podjednaku visinu.
▶ **SI.27**

NAPOMENA: Košenje visoke trave na malu visinu u jednom pokušaju može uzrokovati odumiranje trave. Osim toga, pokošena trava može se zaglaviti u tijelu kosilice.

Košenje ruba

Prilikom košenja ruba stroj obavezno pomičite uzduž ruba.
▶ **SI.28**

ODRŽAVANJE

⚠UPOZORENJE: Prije obavljanja zahvata održavanja iskopčajte produžni kabel iz napajanja i provjerite zaustavljaju li se oštrice u potpunosti.

⚠OPREZ: Prilikom obavljanja održavanja uvijek nosite rukavice.

Da biste zadržali SIGURNOST I POUZDANOST proizvoda, održavanje ili namještanja trebali biste prepustiti ovlaštenim servisnim ili tvorničkim centrima tvrtke Makita; uvijek rabite originalne rezervne dijelove.

Održavanje nakon košenja

Nakon košenja obrišite stroj suhom krpom ili krpom namočenom u vodu sa sapunicom. Također, mekom četkom iščetkajte odrezanu travu ili prljavštinu s oštrica.

NAPOMENA: Nikada nemojte koristiti benzin, mješavinu benzina, razrjeđivač, alkohol ili slično. Kao rezultat toga može se izgubiti boja, pojaviti deformacija ili pukotine.

Spremanje

1. Odspojite produžni kabel.
▶ **SI.29:** 1. Produžni kabel
2. Otvorite stražnji poklopac i zatim uklonite koš za travu.
▶ **SI.30:** 1. Stražnji poklopac 2. Koš za travu
3. Krilastu maticu otpustite dok držite ručku i zatim malo pomaknite ručku prema van te je preklopite.
▶ **SI.31:** 1. Krilasta matica 2. Ručka 3. Oznaka 4. Strelica

⚠OPREZ: Kada preklapate ručku, pazite da ne priklješite prste.

NAPOMENA: Provjerite je li strelica usmjerena prema oznaci u krajnjem prednjem položaju.

4. Zategnite krilaste matice.
▶ **SI.32:** 1. Krilasta matica
5. Otvorite ručice i zatim kabel postavite preko ručice.
▶ **SI.33:** 1. Ručica 2. Kabel
6. Ručice vratite na pola puta kao što je prikazano na slici.
▶ **SI.34:** 1. Ručica
7. Preklopite ručku.
▶ **SI.35:** 1. Ručka
8. Stroj postavite kako je prikazano na slici.
▶ **SI.36**

⚠OPREZ: Uređaj obavezno držite u zatvorenom prostoru i postavite ga na ravnu površinu. U protivnom stroj bi mogao pasti i uzrokovati ozljede.

Na sljedeći način možete spremići stroj.

1. Odspojite produžni kabel.
▶ **SI.37:** 1. Produžni kabel
2. Otvorite stražnji poklopac i zatim uklonite koš za travu.
▶ **SI.38:** 1. Stražnji poklopac 2. Koš za travu
3. Namjestite visinu košnje ručicom za prilagodbu.

Za model ELM3320/ELM3720:

Namjestite visinu košnje na „1”.
▶ **SI.39:** 1. Ručica za podešavanje

Za model ELM4120:

Namjestite visinu košnje na „2”.
▶ **SI.40:** 1. Ručica za podešavanje

4. Krilastu maticu otpustite dok držite ručku i zatim malo pomaknite ručku prema van te je preklopite.
▶ **SI.41:** 1. Krilasta matica 2. Ručka 3. Oznaka 4. Strelica

▲ OPREZ: Kada preklapate ručku, pazite da ne priklješćite prste.

NAPOMENA: Provjerite je li strelica usmjerena prema oznaci u krajnjem prednjem položaju.

5. Zategnite krilaste matice.
▶ **SI.42:** 1. Krilasta matica
6. Stroj postavite kako je prikazano na slici.
▶ **SI.43**

▲ OPREZ: Uređaj obavezno držite u zatvorenom prostoru i postavite ga na ravnu površinu. U protivnom stroj bi mogao pasti i uzrokovati ozljede.

Stroj se može spremići i tako da se ručka preklopi.

▲ OPREZ: Prije otvaranja ručica gornju ručku čvrsto uhvatite. U protivnom ručka bi se mogla pasti i uzrokovati ozljede.

1. Ručice otvorite dok držite gornju ručku.
▶ **SI.44:** 1. Ručica
2. Preklopite gornju ručku.
▶ **SI.45:** 1. Gornja ručka

Zamjena oštrice kosilice

▲ OPREZ: Upotrebljavajte samo standardni imbus ključ prilikom zamjene oštrice kosilice. Upotrebom drugog ključa moglo bi doći do pretjeranog zatezanja ili otpušćanja što bi moglo uzrokovati ozljede.

1. Iskopćajte produžni kabel i uspravite stroj. (Pogledajte upute za spremanje.)
2. Zatik umetnite u rupu, držite ručicu jednom rukom i zatim otpustite vijak ključem u smjeru suprotnom od kazaljke na satu.
▶ **SI.46:** 1. Oštrica 2. Ključ 3. Zatik

3. Uklonite oštricu kosilice.

Za model ELM3320

Uklonite vijak, podlošku, oštricu kosilice i nosač tim redoslijedom.

- ▶ **SI.47:** 1. Nosač 2. Oštrica kosilice 3. Podloška 4. Vijak

Za model ELM3720/ELM4120

Uklonite vijak, podlošku i oštricu kosilice, nosač i razmačnik tim redoslijedom.

- ▶ **SI.48:** 1. Razmačnik 2. Nosač 3. Oštrica kosilice 4. Podloška 5. Vijak

4. Pričvrstite novu oštricu kosilice, umetnite zatik u rupu, držite ručicu jednom rukom i čvrsto zategnite vijak ključem u smjeru kazaljke na satu.

- ▶ **SI.49:** 1. Oštrica kosilice 2. Ključ 3. Zatik

Produžni kabel

Trebali biste upotrebljavati isključivo produžni kabel za upotrebu na otvorenom, PVC ili gumeni kabel za uobičajeni način rada s poprečnim presjekom koji nije manji od 1,5 mm².

Prije rada i tijekom upotrebe provjeravajte ima li oštećenja na dovodnom i produžnom kabelu. Uređaj nemojte upotrebljavati ako je kabel oštećen ili istrošen. Produžni kabel nemojte približavati reznim dijelovima. Ako se kabel ošteti tijekom upotrebe, odmah ga isključite iz napajanja. Nemojte dodirivati kabel prije isključenja napajanja.

DODATNI PRIBOR

▲ OPREZ: Ovaj dodatni pribor ili priključci preporučuju se samo za upotrebu s alatom Makita navedenim u ovom priručniku. Upotreba bilo kojeg drugog dodatnog pribora ili priključaka može prouzročiti ozljede. Upotrebljavajte dodatni pribor ili priključak samo za njegovu navedenu svrhu.

Ako vam je potrebna pomoć za više detalja u pogledu ovih dodatnih pribora, obratite se najbližem Makita servisnom centru.

- Oštrica kosilice

NAPOMENA: Neke stavke iz popisa se mogu isporučiti zajedno sa strojem kao standardni dodatni pribori. Oni mogu biti različiti ovisno o zemlji.

СПЕЦИФИКАЦИИ

Модел:		ELM3320	ELM3720	ELM4120
Брзина без оптоварување		3.400 мин. ⁻¹		
Висина на сечењето		20 мм - 55 мм		20 мм - 75 мм
Ширина на сечењето		330 мм	370 мм	410 мм
Број на дел на резервно сечило на косилка		YA00000731	YA00000732	YA00000733
Димензии (Д x Ш x В)	При работа (со корпа за трева)	Д: 1.040 мм до 1.230 мм Ш: 380 мм В: 870 мм до 1.110 мм	Д: 1.140 мм до 1.330 мм Ш: 415 мм В: 890 мм до 1.120 мм	Д: 1.255 мм до 1.470 мм Ш: 460 мм В: 955 мм до 1.230 мм
	Кога е складирана (без корпа за трева)	350 мм x 380 мм x 1.090 мм	335 мм x 415 мм x 1.090 мм	395 мм x 460 мм x 1.220 мм
Нето тежина		10,2 кг	11,6 кг	14,5 кг
Класа на безбедност		II		

- Поради нашата континуирана програма за истражување и развој, спецификациите тука подлежат на промена без најава.
- Спецификациите може да се разликуваат од држава до држава.
- Тежината може да се разликува во зависност од додаточите. Најлесната и најтешката комбинација, согласно процедурата на ЕПТА 01/2014 (Европската асоцијација за електрични алати), се прикажани во табелата.

Симболи

Долунаведените симболи се користат кај опремата. Видете што значат пред да почнете да работите.



Посветете особена грижа и внимание. Прочитајте го упатството за користење.



ДВОЈНА ИЗОЛАЦИЈА



Опасност: внимавајте на разлетани предмети. Растојанието помеѓу алатот и лицата што се наоѓаат во близина треба да биде најмалку 15 m.



Почекајте сите составни делови на машината да запрат во целост пред да ги допрете.



Чувајте го флексибилниот кабел за напојување подалеку од сечилата.



Внимавајте на острите сечила. Сечилата продолжуваат да се вртат откако моторот ќе се исклучи. Отстранете го приклучокот од машината пред одржување или ако кабелот е оштетен.



Бучавата на машината не е поголема од 96 dB.



Држете ги рацете и нозете подалеку. Не ракувајте со косилката ако штитниците и додаточите не се на соодветните места.



Само за земјите на ЕУ
Не фрлајте ја електричната опрема заедно со домашниот отпад! Земајќи ја предвид европската Директива за отпадна електрична и електронска опрема и нејзиното спроведување во согласност со националните закони, електричната опрема на крајот на работниот век мора да се собира одделно и да се врати во еколошки објект за рециклирање.

Наменета употреба

Машината е наменета за косење трева. Не користете ја машината за други цели. Ако ја користите машината за работи за кои таа не е наменета, може да се доведете во опасна ситуација.

Напојување

Алатот треба да се поврзува само со напојување со ист напон како што е назначено на плочката и може да работи само на еднофазна наизменична струја. Алатот е двојно изолиран и може да се користи и со приклучоци што не се заземјени. Доколку кабелот за напојување е оштетен, треба да се замени кај производителот или неговиот сервисер за да се избегне опасност.

За јавни нисконапонски системи за напојување меѓу 220 V и 250 V

Менувањето на работните постапки на електричните апарати предизвикува варијации на напонот. Работењето со овој уред под неповолни напонски услови може негативно да влијае врз работата на другите приклучени апарати. При струјна импеданца еднаква или помала од 0,425 оми (за ELM3720) или 0,427 оми (за ELM4120), може да се претпостави дека нема да се појават негативни ефекти. Струјниот приклучок што се користи за овој уред треба да е заштитен со осигурувач или сигурносен прекинувач со заштита при исклучување.

Бучава

Применлив стандард : EN60335

Модел	Ниво на звучниот притисок		Ниво на јачина на звукот	
	L _{PA} (dB(A))	Фактор на несигурност K (dB(A))	L _{PA} (dB(A))	Фактор на несигурност K (dB(A))
ELM3320	83	3	94	2
ELM3720	83	3	94	1
ELM4120	84	3	93	2

НАПОМЕНА: Номиналната вредност(и) за емисија на бучава е измерена во согласност со стандардни методи за испитување и може да се користи за споредување алати.

НАПОМЕНА: Номиналната вредност(и) за емисија на бучава може да се користи и како прелиминарна процена за изложеност.

▲ ПРЕДУПРЕДУВАЊЕ: Носете заштита за ушите.

▲ ПРЕДУПРЕДУВАЊЕ: Емисијата на бучава при фактичкото користење на алатот може да се разликува од номиналната вредност(и), зависно од начинот на којшто се користи алатот, особено од тоа како вид работен материјал се обработува.

▲ ПРЕДУПРЕДУВАЊЕ: Погрижете се да ги утврдите безбедносните мерки за заштита на лицето кое ракува со алатот врз основа на процена на изложеноста при фактичките услови на употреба (земајќи ги предвид сите делови на работниот циклус, како периодите кога електричниот алат е исклучен и кога работи во празен од, не само кога е активен).

Вибрации

Вкупна вредност на вибрациите (векторска сума на три оски) одредена во согласност со EN60335:

Модел ELM3320

Ширење вибрации (a_h) : 2,5 m/c² или помалку
Отстапување (K): 1,5 m/c²

Модел ELM3720

Ширење вибрации (a_h) : 2,5 m/c² или помалку
Отстапување (K): 1,5 m/c²

Модел ELM4120

Ширење вибрации (a_h) : 2,5 m/c² или помалку
Отстапување (K): 1,5 m/c²

НАПОМЕНА: Вкупната вредност(и) на номиналната јачина на вибрациите е измерена во согласност со стандардни методи за испитување и може да се користи за споредување алати.

НАПОМЕНА: Вкупната вредност(и) на номиналната јачина на вибрациите може да се користи и како прелиминарна процена за изложеност.

▲ ПРЕДУПРЕДУВАЊЕ: Јачината на вибрациите при фактичкото користење на алатот може да се разликува од номиналната вредност(и), зависно од начинот на којшто се користи алатот, особено од тоа како вид работен материјал се обработува.

▲ ПРЕДУПРЕДУВАЊЕ: Погрижете се да ги утврдите безбедносните мерки за заштита на лицето кое ракува со алатот врз основа на процена на изложеноста при фактичките услови на употреба (земајќи ги предвид сите делови на работниот циклус, како периодите кога електричниот алат е исклучен и кога работи во празен од, не само кога е активен).

Декларација за сообразност од ЕУ

Само за земјите во Европа

Декларацијата за сообразност од ЕУ е вклучена во Додаток А од упатствата за корисникот.

БЕЗБЕДНОСНИ ПРЕДУПРЕДУВАЊА

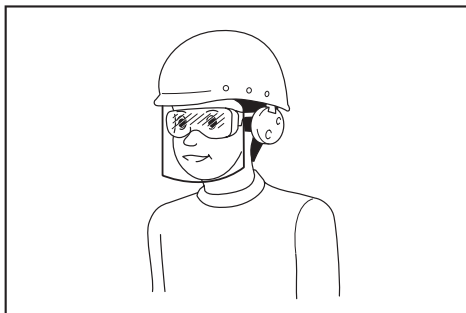
ВАЖНИ БЕЗБЕДНОСНИ УПАТСТВА

▲ ПРЕДУПРЕДУВАЊЕ: Прочитајте ги сите безбедносни предупредувања и сите упатства. Ако не се почитуваат предупредувањата и упатствата, може да дојде до струен удар, пожар или тешки повреди.

Чувајте ги сите предупредувања и упатства за да може повторно да ги прочитате.

1. Децата треба да се надгледуваат за да се уверите дека нема да си играат со косилката.
2. Никогаш не дозволувајте деца или лица кои не ги знаат овие упатства да ја користат косилката. Локалните прописи може да ја ограничуваат возраста на ракувачот.
3. Никогаш не ракувајте со косилката кога во близина има луѓе, особено деца, или домашни животни.

4. Имајте предвид дека ракувачот или корисникот е одговорен за каква било несреќа или опасност што може да им се случи на другите лица или нивниот имот.
5. При ракувањето со косилката, секогаш носете соодветни обувки и долги панталони. Не ракувајте со косилката боси или кога носите отворени сандали. Избегнувајте да носите широка облека или нажит со висечки кабли и врвци. Тие може да се заплеткаат во подвижните делови.
6. Секогаш носете заштитни очила за да ги заштитите очите од повреда кога користите електрични алати. Очилата мора да се усогласени со ANSI Z87.1 во САД, EN 166 во Европа или AS/NZS 1336 во Австралија/Нов Зеланд. Во Австралија/Нов Зеланд исто така постои законска обврска за носење штитник за лице за да си го заштитите лицето.
17. Користете само оригинални сечила од производителот назначени во ова упатство.
18. Пред работата, внимателно проверете дали на сечилата има пукнатини или оштетувања. Ако на сечилата има пукнатини или оштетувања, заменете ги веднаш.
19. Уверете се да нема други луѓе во подрачјето пред да започнете со косење. Запрете ја косилката ако некој влезе во подрачјето.
20. Отстранете ги туѓите предмети, како што се камења, жици, шишиња, коски и поголеми стапчиња од работното подрачје пред да започнете со косење за да спречите телесна повреда или оштетување на косилката.
21. Ако забележите нешто необично, веднаш запрете со работа. Исклучете ја косилката и извадете го кабелот за напојување од напојувањето. Потоа, проверете ја косилката.
22. Никогаш не обидувајте се да вршите нагудувања на висината на тркалата додека косилката е вклучена.
23. Отпуштете го лостот на прекинувачот и почекајте сечилото да запре со вртење пред да преминете преку улица, патека, пат и какви било области покриени со каат. Исто така, извадете го кабелот за напојување од напојувањето ако ја оставите косилката, се обидете да подигнете или да отстраните нешто од пред вас или заради некоја друга причина што може да ви го одвлече вниманието од работата што ја извршувате.
24. Предметите заглавени во сечилото на косилката може да предизвикаат тешки повреди кај луѓето. Тревникот треба секогаш внимателно да се прегледа и да се расчисти од сите предмети пред секое косење.
25. Ако косилката удри во туѓ предмет, следете ги овие чекори:
 - Запрете ја косилката, отпуштете го лостот на прекинувачот и почекајте додека сечилото целосно не застане.
 - Извадете го кабелот за напојување од напојувањето.
 - Внимателно проверете дали на косилката има какви било оштетувања.
 - Заменете го сечилото ако е оштетено на каков било начин. Поправете ги сите оштетувања пред одново да ја стартувате и да продолжите да ракувате со косилката.



Работодавачот е одговорен дали операторите со алатот и другите лица во непосредната работна околина носат соодветна безбедносна заштитна опрема.

7. Пред употребата, проверете го напојувањето и кабелот за знаци на оштетување или истрошеност. Ако кабелот се оштети при користењето, веднаш исклучете го од напојувањето. Не допирајте го кабелот пред да го исклучите напојувањето. Не користете ја косилката ако кабелот е оштетен или истрошен.
8. Ракувајте со косилката само на дневна светлина или добро вештачка светлина.
9. Избегнувајте да ракувате со косилката на влажна трева.
10. Никогаш не ракувајте со косилката на дожд.
11. Секогаш цврсто држете ја рачката.
12. Секогаш внимавајте како газите по стрмни падини.
13. Одете, никогаш не трчајте.
14. Не фаќајте ги изложените сечила или рабови за сечење кога ја крвате или држите косилката.
15. Физичка состојба - не ракувајте со косилката ако сте под влијание на наркотични средства, алкохол или какви било лекарства.
16. Држете ги рацете и стапалата подалеку од ротирачките сечила. Внимание - сечилата продолжуваат да се вртат откако ќе се исклучи косилката.
26. Често проверувајте дали корпата за трева е изабана или дотраена. Пред складирање, секогаш уверете се дека корпата за трева е празна. Заменете ја изабената корпа за трева со нова фабричка резерва заради безбедност.
27. Бидете многу внимателни кога ја враќате во рикверц или кога ја влечете косилката кон вас.
28. Сопрете го сечилото(ата) ако треба да ја навалите косилката за да ја пренесете преку површини што не се тревни и кога ја пренесувате косилката до и од подрачјето што треба да се коси.

29. Никогаш не ракувајте со косилката со неисправни штитници или заштитници или кога не се поставени безбедносни уреди, на пример, одбивачи и/или корпи за трева.
30. Внимателно вклучете ја косилката во согласност со упатствата, држејќи ги стапалата подалеку од сечилото(ата).
31. Не навалувајте ја косилката кога го вклучувате моторот, освен ако косилката мора да се навали за да се стартува. Во овој случај, не навалувајте ја повеќе отколку што е апсолутно потребно и подигнете го само оној дел што е подалеку од ракувачот. Секогаш уверете се дека двете раце се во работна позиција пред да го вратите апаратот на земјата.
32. Не стартувајте ја косилката додека стоите пред отворот за исфрлање.
33. Не ставајте ги рацете или стапалата близу или под ротирачките делови. Бидете подалеку од отворот за исфрлање во секое време.
34. Не пренесувајте ја косилката додека е вклучена.
35. Запрете ја косилката и отстранете го приклучокот од штекерот. Уверете се дека сите подвижни делови целосно запреле - секогаш кога ја оставате косилката, - пред чистење затнати места или одзатнување на каналот, - пред извршување проверка, чистење или изведување работи врз косилката, - откако ќе удриете во некој предмет. Проверете дали на косилката има оштетувања и поправете ја пред одново да ја стартувате и да ракувате со неа.
36. Ако косилката почне да вибрира невообичаено (веднаш проверете) - проверете дали има оштетувања, - заменете ги или поправете ги сите оштетени делови, - проверете ги и прицврстете ги сите олабавени делови.
37. Бидете внимателни при нагудувањето на косилката и спречете заглавување на прстите помеѓу подвижните сечила и фиксните делови на косилката.
38. На стрмни падини, косете напредно, никогаш надолу или нагоре. Бидете многу претпазливи кога ја менувате насоката на стрмни падини. Не косете ги стрмните падини премногу.
39. Не прскајте ја со црево за вода. Избегнувајте вода да навлезе во моторот и електричните поврзувања.
40. Ексто проверувајте дали завртката за монтирање на сечилото е доволно затегната.
41. Сите навртки, завртки и шрафови треба да бидат затегнати со цел опремата да биде во безбедна работна состојба.
42. Внимавајте бидејќи едно ротирачко сечило може да предизвика ротација кај другите сечила.
43. Секогаш оставајте ја косилката да се излади пред да ја складирате.
44. Кога ги сервисирате сечилата, имајте предвид дека дури и ако напојувањето е исклучено, сечилата сè уште може да се движат.
45. Заменувајте ги изабените и оштетените делови заради безбедност. Користете само оригинални резервни делови и додатоци.
46. Електричниот алат треба да го сервисирате кај квалификувано лице за поправки, кое користи само идентични резервни делови. Така ќе бидете сигурни дека електричниот алат и понатаму е безбеден.
47. Следете ги упатствата за подмачкување и за менување на додатоците.
48. Рачките нека бидат суви, чисти, без масло и маснотии.
49. Проверете и уверете се дека напонот и фреквенцијата на напојувањето одговараат на спецификациите дадени на плочката за идентификација. Ние препорачуваме да се користи заштитен прекинувач (со заземјување) со активирање на јачина на струја од 30 mA или помала, или со заштитен уред за заземјување.
50. Оваа машина може да се користи од страна на деца на возраст од 8 години или постари и лица со намалени физички, сетилни или ментални капацитети или без доволно искуство и познавање ако се под надзор или им се даваат упатства за користење на уредот на безбеден начин и ги разбираат вклучените ризици. Чистењето и одржувањето од корисникот не смеат да се вршат од страна на деца без надзор.

Преостанати ризици

Дури и ако работите со производов согласно сите барања за безбедност, остануваат потенцијални ризици од повреда и штета. Следниве опасности може да настанат во врска со структурата и дизајнот на производот.

1. Оштетувања на здравјето што резултираат од емисијата на вибрации ако производот се користи во текот на долги временски периоди или со него не се управува соодветно и не се одржува правилно.
2. Повреди и оштетувања на имотот поради скршени приклучни алати или ненадеен удар на скриени предмети за време на употребата.
3. Опасност од повреда и оштетувања на имотот предизвикани од летечки објекти.

▲ ПРЕДУПРЕДУВАЊЕ: Производот создава електромагнетно поле за време на работата. Ова поле во некои околности попречува активни или пасивни медицински уреди. За намалување на ризикот од сериозна или фатална повреда, препорачуваме лицата со медицински уреди да се консултираат со нивниот лекар и производителот на медицинскиот уред пред да работат со производот.

ЧУВАЈТЕ ГО УПАТСТВОТО.

▲ ПРЕДУПРЕДУВАЊЕ: НЕ ДОЗВОЛУВАЈТЕ удобноста или познавањето на производот (стекнати со подолга употреба) да ве наведат да не се придржувате строго до безбедносните правила за овој производ.

ЗЛОУПОТРЕБАТА или непочитувањето на безбедносните правила наведени во ова упатство може да предизвикаат тешка телесна повреда.

СОСТАВУВАЊЕ

▲ ВНИМАНИЕ: Пред да работите нешто на алатот, проверете дали е исклучен и откачен од струја.

Составување на рачката

1. Извадете ја горната рачка од главната единица на машината.

► **Сл.1:** 1. Горна рачка

2. Одвртете ги рачните навртки.

► **Сл.2:** 1. Рачна навртка

3. Проширете ја рачката малку кон надвор и потоа кренете ја.

► **Сл.3:** 1. Рачка

4. Приспособете ја висината на рачката така што ќе ја порамните стрелката со ознаката.

► **Сл.4:** 1. Рачна навртка 2. Ознака 3. Стрелка

5. Затегнете ги рачните навртки.

► **Сл.5:** 1. Рачна навртка

6. Прикачете ја горната рачка со вметнување на лостовите од надворешната страна на рачката и затегнете ги навртките со клучот за да ја прицврстите рачката.

► **Сл.6:** 1. Лост 2. Навртка

7. Прицврстете ги каблите со стегите како што е покажано на сликата.

► **Сл.7:** 1. Стега

Монтирање на корпата за трева

1. Прикачете ги цевките од корпата за трева на рамката.

► **Сл.8:** 1. Цевка 2. Рамка

2. Отворете го задниот капак.

► **Сл.9:** 1. Заден капак

3. Закачете ја корпата за трева на задната страна на машината.

► **Сл.10**

За да ја отстраните корпата за трева, извршете ја постапката за монтирање по обратен редослед.

Поврзување на продолжниот кабел

▲ ПРЕДУПРЕДУВАЊЕ: Кога го поврзувате продолжниот кабел со приклучокот за напојување на машината, уверете се дека лостот на прекинувачот е отпуштен и дека кабелот е изваден од напојувањето.

▲ ПРЕДУПРЕДУВАЊЕ: Не поврзувајте го и не исклучувајте го продолжниот кабел со мокри раце.

ЗАБЕЛЕШКА: При поврзувањето на продолжниот кабел со приклучокот за напојување на машината, погрижете се целосно да го вметнете во штекерот.

При поврзувањето на продолжниот кабел, закачете го над куката на рачката како што е покажано на сликата за да спречите ненамерно исклучување поради прекумерна сила врз приклучокот.

► **Сл.11:** 1. Кука 2. Продолжен кабел

ОПИС НА ФУНКЦИТЕ

Нагодување на висината на косење

▲ ПРЕДУПРЕДУВАЊЕ: Пред да ја нагодите висината на косење, исклучете го продолжниот кабел од напојувањето и проверете дали сечилата целосно запреле.

▲ ПРЕДУПРЕДУВАЊЕ: Никогаш не ставајте рака или нога под косилката кога ја нагодувате висината на косење.

Може да ја нагодите висината на косење во опсегот од 20 мм до 55 мм (за ELM3320/ELM3720) или 20 мм до 75 мм (за ELM4120). Висината на косењето може да се нагоди на 3 нивоа (за ELM3320/ELM3720) или 7 нивоа (за ELM4120).

За ELM3320/ELM3720

► **Сл.12:** 1. Лост за нагодување

За ELM4120

► **Сл.13:** 1. Лост за нагодување

Држете ја рачката со едната рака и движете го лостот за нагодување со другата рака.

► **Сл.14:** 1. Лост за нагодување

НАПОМЕНА: Направете пробно косење на тревата на поневидливо место за да ја добиете саканата висина.

Вклучување

▲ ПРЕДУПРЕДУВАЊЕ: Пред да го приклучите алатот, секогаш проверете дали лостот на прекинувачот функционира правилно и дали се враќа во положбата „Исклучено“ („OFF“) кога ќе се отпушти.

▲ ПРЕДУПРЕДУВАЊЕ: За ваша безбедност, оваа машина е опремена со копче за деблокирање коешто спречува ненамерно стартување на алатот. Никогаш не користете ја машината ако се вклучи со повлекување на лостот на прекинувачот без да се притисне копчето за деблокирање. Однесете ја на поправка во вашиот локален сервисен центар на Makita.

▲ ПРЕДУПРЕДУВАЊЕ: Никогаш не исклучувајте ја функцијата за заклучување и не лепете го со леплива лента копчето за деблокирање.

ЗАБЕЛЕШКА: Не повлекувајте го лостот на прекинувачот на сила без да го притиснете копчето за деблокирање. Прекинувачот може да се скрши.

За да ја стартувате машината, притиснете го копчето за деблокирање, а потоа притиснете го лостот на прекинувачот. За да ја запрете машината, отпуштете го лостот на прекинувачот.

► Сл.15: 1. Лост на прекинувач 2. Копче за деблокирање

Индикатор за ниво на корпата за трева

Индикаторот за ниво на корпата за трева се отвора при косењето ако корпата за трева не е полна. Ако корпата за трева е полна, индикаторот за ниво се затвора при косењето. Ако е полна, испразнете ја корпата за трева пред да почнете со косење.

► Сл.16: 1. Индикатор на ниво

► Сл.17: 1. Индикатор на ниво

Нагудување на висината на рачката

Висината на рачката може да се нагоди на три нивоа. Одвртете ги рачните навртки додека ја држите рачката, нагодете ја висината на рачката така што ќе ја порамните стрелката со една од ознаките и потоа затегнете ги рачните навртки.

► Сл.18: 1. Рачна навртка 2. Ознака 3. Стрелка

Систем за заштита на моторот (релеј за прекумерна струја)

▲ ПРЕДУПРЕДУВАЊЕ: Ако машината ненадејно запре додека ја користите, отпуштете го лостот на прекинувачот и исклучете го продолжниот кабел. Во спротивно, машината може ненадејно да се рестартира и да предизвика повреда.

▲ ВНИМАНИЕ: Пред да го отстраните предметот што го блокира сечилото, ставете ракавици и исклучете го продолжниот кабел од штекер за напојување.

Доколку исечена трева или земја предизвикува блокирање внатре во главното тело, машината автоматски запира за да го заштити моторот (релеј за прекумерна струја). Во овој случај, исклучете го продолжниот кабел од штекер за напојување, отстранете го материјалот што го предизвикува блокирањето и оставете ја машината да се излади неколку минути пред повторно да ја вклучите.

НАПОМЕНА: Релејот за прекумерна струја може да се активира кога влажна или долга трева ќе се заглави внатре во главното тело.

РАБОТЕЊЕ

Косење

▲ ПРЕДУПРЕДУВАЊЕ: Пред да започнете со косење, расчистете ги стапчињата и камењата од областа што се коси. Следно, однапред расчистете ја сета плевел од областа што се коси.

► Сл.19

▲ ПРЕДУПРЕДУВАЊЕ: Секогаш носете заштитна маска или заштитни очила со странични штитници кога работите со косилката.

▲ ВНИМАНИЕ: Доколку исечената трева или туѓ предмет ја блокира внатрешноста на телото на косилката, исклучете го напојувањето, а потоа извадете го продолжниот кабел од штекерот за напојување. Пред да ја отстраните тревата или туѓиот предмет, ставете ракавици.

▲ ВНИМАНИЕ: Монтирајте ја корпата за трева пред да работите со машината.

ЗАБЕЛЕШКА: Оваа машина користете ја само за косење тревници. Не косете плевел со оваа машина.

Цврсто држете ја рачката со двете раце при косењето.

► Сл.20

Упатството за брзината на косење е приближно еден метар за четири секунди.

► Сл.21

Започнете со косење во близина на штекерот за напојување за да се уверите дека продолжниот кабел не претставува пречка.

► Сл.22: 1. Штекер за напојување 2. Продолжен кабел

Не дозволувајте продолжниот кабел да поминува или да се заплетка под машината.

► **Сл.23**

► **Сл.24**

Линиите на двете страни на главното тело се водилки за ширината на косење. Користејќи ги овие линии како водилки, косете во ленти. Преклопете ја за една половина до една третина претходната лента за да го искосите тревникот рамномерно.

► **Сл.25:** 1. Ширина на косење 2. Област на преклопување 3. Линија

Секој пат менувајте ја насоката на косење за да спречите формирање на шема на тревникот во само една насока.

► **Сл.26**

Повремено проверувајте ја корпата за трева за искосена трева. Испразнете ја корпата пред да се наполни. Пред секоја повремена проверка, запрете ја машината.

НАПОМЕНА: Користењето на косилката со полна корпа за трева спречува мазно вртење на сечилото и додава дополнителен товар на моторот, што може да предизвика дефект.

Косење тревник со висока трева

Не обидувајте се да косите висока трева наеднаш. Наместо тоа, косете го тревникот во неколку фази. Оставете ден-два помеѓу две косења, додека тревникот не се изедначи.

► **Сл.27**

НАПОМЕНА: Косењето долга трева со куса должина наеднаш може да предизвика тревата да умре. Исто така, исечената трева може да ја блокира внатрешноста на уредот на косилката.

Косење на рабовите

Кога косите на работ, движете ја машината покрај работ.

► **Сл.28**

ОДРЖУВАЊЕ

▲ПРЕДУПРЕДУВАЊЕ: Пред да извршите одржувањето, исклучете го продолжниот кабел од напојувањето и проверете дали сечилата целосно запреле.

▲ВНИМАНИЕ: Кога вршите одржување, секогаш носете ракавици.

За да се одржи БЕЗБЕДНОСТА и СИГУРНОСТА на производот, поправките, одржувањата или дотерувањата треба да се вршат во овластени сервисни или фабрички центри на Makita, секогаш со резервни делови од Makita.

Одржување после косење

После косење, избришете ја машината со сува крпа или крпа натопена во сапуница. Исто така, користете мека четка за да ја исчеткате исечената трева и земја од сечилата.

ЗАБЕЛЕШКА: За чистење, не користете нафта, бензин, разредувач, алкохол или слично. Тие средства ја вадат бојата и може да предизвикаат деформации или пукнатини.

Складирање

1. Откачете го продолжниот кабел.

► **Сл.29:** 1. Продолжен кабел

2. Отворете го задниот капак и отстранете ја корпата за трева.

► **Сл.30:** 1. Заден капак 2. Корпа за трева

3. Одвртете ги рачните навртки додека ја држите рачката, потоа малку проширете ја рачката нанадвор и потоа склопете ја.

► **Сл.31:** 1. Рачна навртка 2. Рачка 3. Ознака 4. Стрелка

▲ВНИМАНИЕ: При склопувањето на рачката, внимавајте да не ги потфатите рацете или прстите.

НАПОМЕНА: Уверете се дека стрелката ја покажува ознаката што се наоѓа најнапред.

4. Затегнете ги рачните навртки.

► **Сл.32:** 1. Рачна навртка

5. Отворете ги лостовите, а потоа ставете го кабелот преку лостот.

► **Сл.33:** 1. Лост 2. Кабел

6. Вратете ги лостовите до половина положба како што е покажано на сликата.

► **Сл.34:** 1. Лост

7. Склопете ја рачката.

► **Сл.35:** 1. Рачка

8. Поставете ја машината како што е прикажано на сликата.

► **Сл.36**

▲ВНИМАНИЕ: Осигурете се дека сте ја складирали машината во затворена просторија и поставете ја на рамна површина. Во спротивно, машината може да падне и да предизвика повреда.

Може да ја складираате машината на следниот начин.

1. Откачете го продолжниот кабел.

► **Сл.37:** 1. Продолжен кабел

2. Отворете го задниот капак и отстранете ја корпата за трева.

► **Сл.38:** 1. Заден капак 2. Корпа за трева

3. Поставете ја висината на косење со лостот за нагодување.

За ELM3320/ELM3720:

Поставете ја висината на косење на „1“.

► **Сл.39:** 1. Лост за нагодување

За ELM4120:

Поставете ја висината на косење на „2“.

► **Сл.40:** 1. Лост за нагодување

4. Одртете ги рачните навртки додека ја држите рачката, потоа малку проширите ја рачката нанадвор и потоа склопете ја.

► **Сл.41:** 1. Рачна навртка 2. Рачка 3. Ознака 4. Стрелка

⚠ВНИМАНИЕ: При склопувањето на рачката, внимавајте да не ги потфатите рацете или прстите.

НАПОМЕНА: Уверете се дека стрелката ја покажува ознаката што се наоѓа најнапред.

5. Затегнете ги рачните навртки.

► **Сл.42:** 1. Рачна навртка

6. Поставете ја машината како што е прикажано на сликата.

► **Сл.43**

⚠ВНИМАНИЕ: Осигурете се дека сте ја складирале машината во затворена просторија и поставете ја на рамна површина. Во спротивно, машината може да падне и да предизвика повреда.

Може да ја складираме машината така што ќе ја склопите рачката.

⚠ВНИМАНИЕ: Пред да ги отворите лостовите, цврсто држете ја горната рачка. Во спротивно, рачката може да падне и да предизвика повреда.

1. Отворете ги лостовите додека ја држите горната рачка.

► **Сл.44:** 1. Лост

2. Склопете ја горната рачка.

► **Сл.45:** 1. Горна рачка

Замenuвање на сечилото на косилката

⚠ВНИМАНИЕ: Не користете никаков друг клуч освен стандардниот имбус-клуч кога го заменува сечилото на косилката. Користењето друг клуч може да доведе или до преголемо затегнување или до разлабавеност, што може да предизвика повреда.

1. Исклучете го продолжниот кабел и исправете ја машината. (Погледнете ги инструкциите за складирање.)

2. Вметнете го чепчето во отворот, а потоа држете ја рачката со едната рака и олабавете ја завртката вртејќи ја налево со помош на клучот.

► **Сл.46:** 1. Сечило 2. Клуч 3. Чепче

3. Отстранете го сечилото на косилката.

За ELM3320

Извадете ги завртката, шајбната, сечилото на косилката и држачот по тој редослед.

► **Сл.47:** 1. Држач 2. Сечило на косилка 3. Шајбна 4. Завртка

За ELM3720/ELM4120

Извадете ги завртката, шајбната, сечилото на косилката, држачот и сепараторот по тој редослед.

► **Сл.48:** 1. Сепаратор 2. Држач 3. Сечило на косилка 4. Шајбна 5. Завртка

4. Прикачете ново сечило на косилката, вметнете го чепчето во отворот, а потоа држете ја рачката со едната рака и цврсто затегнете ја завртката вртејќи ја надесно со помош на клучот.

► **Сл.49:** 1. Сечило на косилка 2. Клуч 3. Чепче

Продолжен кабел

Треба да користите само продолжни кабли за надворешна употреба, ПВЦ или гумени кабли за обични работни услови, со површина на напречен пресек не помала од 1,5 мм².

Пред и за време на употребата, проверете дали се оштетени каблите за напојување и продолжните кабли. Не користете го апаратот ако кабелот е оштетен или истрошен. Чувајте го продолжниот кабел подалеку од елементи за сечење. Ако кабелот се оштети при употребата, веднаш исклучете го од напојувањето. Не допирајте го кабелот пред да го исклучите напојувањето.

ОПЦИОНАЛЕН ПРИБОР

⚠ВНИМАНИЕ: Овој прибор или додатоци се препорачуваат за користење со алатот од Makita дефиниран во упатството. Со користење друг прибор или додатоци може да се изложите на ризик од телесни повреди. Користете ги приборот и додатоците само за нивната назначена намена.

Ако ви треба помош за повеќе детали за приборот, прашајте во локалниот сервисен центар на Makita.

- Сечило на косилка

НАПОМЕНА: Некои ставки на листата може да се вклучени со алатот како стандарден прибор. Тие може да се разликуваат од држава до држава.

ТЕХНИЧКИ ПОДАЦИ

Модел:		ELM3320	ELM3720	ELM4120
Брзина без оптерећења		3.400 мин ⁻¹		
Висина кошења		20 мм – 55 мм		20 мм – 75 мм
Ширина кошења		330 мм	370 мм	410 мм
Број дела резервног сечива		YA00000731	YA00000732	YA00000733
Димензије (Д x Ш x В)	Током рада (са корпом за траву)	Д: 1.040 мм до 1.230 мм Ш: 380 мм В: од 870 мм до 1.110 мм	Д: 1.140 мм до 1.330 мм Ш: 415 мм В: од 890 мм до 1.120 мм	Д: 1.255 мм до 1.470 мм Ш: 460 мм В: од 955 мм до 1.230 мм
	Када се одлаже (без корпе за траву)	350 мм x 380 мм x 1.090 мм	335 мм x 415 мм x 1.090 мм	395 мм x 460 мм x 1.220 мм
Нето тежина		10,2 кг	11,6 кг	14,5 кг
Заштитна класа		□/□/□		

- Због нашег непрестаног истраживања и развоја задржавамо право измена наведених спецификација без претходне најаве.
- Спецификације могу да се разликују у различитим земљама.
- Тежина може да се разликује у зависности од наставака. Најлакша и најтежа комбинација, према процедури ЕПТА 01/2014, приказане су у табели.

Симболи

У наставку су приказани симболи који се односе на опрему. Пре употребе се обавезно упознајте са њиховим значењем.



Будите нарочито пажљиви и опрезни. Прочитајте упутство за употребу.



ДВОСТРУКА ЗАШТИТНА ИЗОЛАЦИЈА



Опасност, пазите на бачене предмете. Растојање између алата и посматрача мора да буде најмање 15 м.



Сачекајте да се сви делови машине потпуно зауставе пре него што их додирнете.



Држите флексибилни кабл за напајање подаље од сечива.



Пазите на оштра сечива. Сечива настављају да ротирају након што се мотор искључи. Искључите машину из напајања пре вршења одржавања или ако је кабл оштећен.



Бука коју машина производи није виша од 96 dB.



Држите шаке и стопала подаље. Немојте да управљате косачицом ако штитници и додатна опрема нису на одговарајућем месту.



Само за земље ЕУ
Електричну опрему немојте да одлажете са отпадом из домаћинства! У складу са европском директивом о отпаду од електричне и електронске опреме и њеном применом у складу са националним законом, електричну опрему на крају радног века неопходно је одвојено прикупити и вратити у еколошки прихватљиво постројење за рециклажу.

Намена

Машина је намењена за кошење травњака. Машину не користите за друге сврхе. Употреба машине за радње за које није намењена може да доведе до опасне ситуације.

Мрежно напајање

Алат сме да се прикључи само на монофазни извор мрежног наизменичног напајања који одговара подацима са натписне плочице. Алати су двоструко заштитно изоловани, па могу да се прикључе и на мрежне утичнице без уземљења. Ако се кабл за напајање оштети, мора да га замени произвођач или сервисер, како би се избегла опасност.

За јавне нисконапонске дистрибутивне системе између 220 V и 250 V

Укључивање електричног уређаја изазива варирање напона. Рад овог уређаја под неповољним условима напајања може да има негативан утицај на рад друге опреме. Са импедансом једнаком или мањом од 0,425 ома (за ELM3720) или 0,427 ома (за ELM4120) не би требало да буде негативних ефеката.

Утичница која се користи за овај алат мора да буде заштићена осигурачем или склопом за заштиту од кратког споја за аутоматско искључивање у случају губитка напона.

Бука

Примењиви стандард : EN60335

Модел	Ниво звучног притиска		Ниво снаге звука	
	L _{PA} (dB(A))	Толеранција K (dB (A))	L _{PA} (dB(A))	Толеранција K (dB (A))
ELM3320	83	3	94	2
ELM3720	83	3	94	1
ELM4120	84	3	93	2

НАПОМЕНА: Декларисане вредности емисије буке су измерене према стандардизованом мерном поступку и могу се користити за упоређивање алата.

НАПОМЕНА: Декларисана вредност емисије буке се такође може користити за прелиминарну процену изложености.

▲ УПОЗОРЕЊЕ: Носите заштитне слушалице.

▲ УПОЗОРЕЊЕ: Емисије буке током стварне примене електричног алата могу се разликовати од декларисане вредности у зависности од начина на који се користи алат, а посебно која врста предмета се обрађује.

▲ УПОЗОРЕЊЕ: Уверите се да сте идентификовали безбедносне мере за заштиту руковаоца које су засноване на процени изложености у стварним условима употребе (узимајући у обзир све делове радног циклуса, као што је време рада уређаја, али и време када је алат искључен и када ради у празном ходу).

Вибрације

Укупна вредност вибрација (векторски збир по три осе) одређена је према стандарду EN60335:

Модел ELM3320

Вредност емисије вибрација (a_h): 2,5 м/с² или мања
Несигурност (K): 1,5 м/с²

Модел ELM3720

Вредност емисије вибрација (a_h): 2,5 м/с² или мања
Несигурност (K): 1,5 м/с²

Модел ELM4120

Вредност емисије вибрација (a_h): 2,5 м/с² или мања
Несигурност (K): 1,5 м/с²

НАПОМЕНА: Декларисане укупне вредности вибрација су измерене према стандардизованом мерном поступку и могу се користити за упоређивање алата.

НАПОМЕНА: Декларисане укупне вредности вибрација се такође могу користити за прелиминарну процену изложености.

▲ УПОЗОРЕЊЕ: Вредност емисије вибрација током стварне примене електричног алата може се разликовати од декларисане вредности у зависности од начина на који се користи алат, а посебно која врста предмета се обрађује.

▲ УПОЗОРЕЊЕ: Уверите се да сте идентификовали безбедносне мере за заштиту руковаоца које су засноване на процени изложености у стварним условима употребе (узимајући у обзир све делове радног циклуса, као што је време рада уређаја, али и време када је алат искључен и када ради у празном ходу).

ЕЗ декларација о усаглашености

Само за европске земље

ЕЗ декларација о усаглашености део је Додатка А у овом приручнику са упутствима.

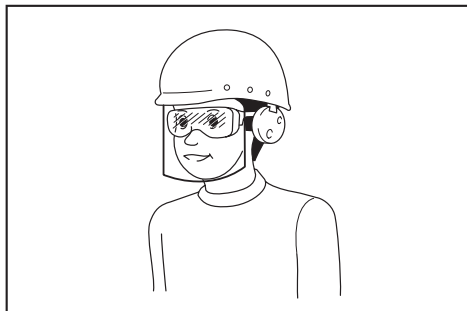
БЕЗБЕДНОСНА УПОЗОРЕЊА

ВАЖНА БЕЗБЕДНОСНА УПУТСТВА

▲ УПОЗОРЕЊЕ: Прочитајте сва безбедносна упозорења и сва упутства. Непоштовање упозорења и упутстава може изазвати струјни удар, пожар и/или тешке телесне повреде.

Сачувајте сва упозорења и упутства за будуће потребе.

1. Надгледајте децу како бисте били сигурни да се неће играти косилицом.
2. Никада немојте дозволити да косилицу користе деца и особе које нису упознате са овим упутствима. Локални прописи можда ограничавају узраст особе која сме да користи косилицу.
3. Никада не укључујте косилицу док су у близини људи, посебно деца или кућни љубимци.
4. Имајте на уму да је корисник или руковалац одговоран за несрећне случајеве или опасност која је изазвана другим људима или њиховој имовини.
5. Док радите с косилицом, увек носите чврсту обућу и дуге панталоне. Немојте користити косилицу боси или са отвореним сандалама. Избегавајте да носите широку одећу или накит или оне из којих висе врпце или нити. Може се догодити да буду захваћени покретним деловима.
6. Увек носите безбедносне наочаре како бисте заштитили очи од повреда приликом коришћења електричног алата. Наочаре морају да буду у складу са стандардом ANSI Z87.1 у САД, са стандардом EN 166 у Европи или AS/NZS 1336 у Аустралији / на Новом Зеланду. У Аустралији / на Новом Зеланду је законски обавезно носити и штитник за лице, како бисте заштитили лице.



Послодавац је одговоран да руковаоце алатом и друге особе у радном окружењу обавезе на употребу одговарајуће опреме за заштиту.

7. Пре употребе проверите да ли на каблу за напајање постоје знаци оштећења или старости. Ако се кабл оштети током употребе, одмах га искључите из напајања. Немојте додиривати кабл пре него што искључите напајање. Немојте користити косилицу ако је кабл оштећен или истрошен.
8. Косилицу користите само под дневним светлом или под добрим вештачким осветљењем.
9. Избегавајте да користите косилицу по мокрој трави.
10. Немојте никада да користите косилицу по киши.
11. Ручку увек држите чврсто.
12. Увек пазите где газите на нагнутом терену.
13. Хођајте и немојте да трчите.
14. Немојте да хватате истурена сечива или резне ивице када додирете или придржавате косилицу.
15. Физичко стање – Немојте да користите косилицу ако сте под утицајем наркотика, алкохола или било ког лека.
16. Држите руке и стопала што даље од ротирајућих сечива. Пажња – Сечива успоравају након што се косилицу искључи.
17. Користите само оригинална сечива произвођача наведена у овом приручнику.
18. Пре рада прегледајте пажљиво да ли на сечивима нема пукотина или оштећења. Одмах замените напукла или оштећена сечива.
19. Пре кошења проверите да у близини нема других људи. Зауздајте косилицу ако се неко појави у близини.
20. Из радног подручја пре кошења уклоните камење, жице, боце, кости и дугачко пруже како бисте спречили телесне повреде или оштећења на косилицу.
21. Одмах зауставите рад ако приметите било шта необично. Искључите косилицу и ископчајте кабл из напајања. Затим проверите косилицу.
22. Немојте никада покушавати да подесите висину тачкова док је косилицу у покрету.
23. Отпустите полугу прекидача и сачекајте да се ротирање сечива заустави пре преласка преко прилазних путева, пешачких стаза, друма и било којих површина прекривених шљунком. Такође, искључите кабл из напајања ако остављате косилицу, сагињете се да подигнете или склоните нешто с пута или из било ког разлога који би вас омео у ономе што радите.
24. Предмети које сечиво косилице удари могу особама да нанесу озбиљне повреде. Травњак пре кошења увек мора да буде пажљиво проверен и очишћен од свих предмета.
25. Ако косилица удари у неки предмет, пратите ове кораке:
 - Зауздајте косилицу, отпустите полугу прекидача и сачекајте да се сечиво потпуно заустави.
 - Искључите кабл за напајање из напајања.
 - Темељно прегледајте да на косилицу нема неких оштећења.
 - Замените сечиво ако је на било који начин оштећено. Отклоните било каква оштећења пре поновног покретања и наставка рада са косилицом.

26. Често проверавајте да ли је корпа за траву похабана или оштећена. Приликом складиштења алата увек водите рачуна да корпа за траву буде празна. Замените похабану корпу за траву новом фабричком резервном корпом ради безбедности.
27. Будите изузетно пажљиви када мењате смер или вучете косилицу према себи.
28. Зауставите сечиво (сечива) ако косилица треба да се нагне ради преношења преко површина које нису травнате, и када се косилица преноси на површину или са површине на којој треба да се користи.
29. Никада немојте користити косилицу са неисправним штитницима или штитовима, без постављених заштитних делова, на пример штитника и/или корпе за траву.
30. Пажљиво укључите косилицу у складу са упутствима и са стопалима удаљеним од сечива.
31. Немојте да нагињете косилицу када укључујете мотор, осим ако косилица мора да буде нагнута приликом покретања. У овом случају, не сме се нагињати више него што је заиста неопходно, при чему треба да буде подигнут само део који је даљи у односу на руковаоца. Увек се побрините за то да су обе руке у радном положају пре него што вратите уређај на земљу.
32. Не покрећите косилицу стојећи испред отвора за избацивање.
33. Не стављајте руке или стопала близу ротирајућих делова или испод њих. Увек се држите даље од отвора цеви за избацивање.
34. Не транспортујте косилицу док је косилица укључена.
35. Зауставите косилицу и искључите утикач из утичнице. Уверите се су сви покретни делови потпуно заустављени - кад год остављате косилицу,
 - пре уклањања страног тела или отпушавања цеви,
 - пре провере, чишћења или радова на косици,
 - након ударца у неки предмет. Прегледајте да ли на косици има оштећења и извршите поправке пре поновног покретања косилице и рада са њом.
36. Ако косилица почне абнормално да вибрира (одмах проверите)
 - прегледајте да ли има оштећења,
 - замените или поправите било какве оштећене делове,
 - проверите да ли постоје лабави делови и затегните их.
37. Будите пажљиви током подешавања косилице да бисте спречили да вам покретна сечива и причвршћени делови косилице захвате прсте.
38. Косите попреко у односу на површину нагиба, никако уздуж. Будите веома опрезни када мењате правац на терену са нагибом. Немојте косити на терену са превише стрмим нагибом.
39. Немојте прати цревом; избегавајте да вода допре у мотор и до електричних веза.
40. Учестало проверавајте да ли је вијак за монтирање сечива правилно причвршћен.
41. Одржавајте све матице, завртње и вијке притегнутим да би опрема била безбедна у радним условима.
42. Обратите пажњу на то да ротирање једног сечива може да изазове ротирање осталих.
43. Увек оставите косилицу да се охлади пре него што је одложите.
44. Када сервисирате сечива, обратите пажњу на то да се сечива још увек могу покретати, чак и када је извор напајања искључен.
45. Замените похабане или оштећене делове ради безбедности. Користите искључиво оригиналне резервне делове и додатни прибор.
46. Електрични алат треба да сервисира квалификована особа која ће користити само идентичне резервне делове. То ће омогућити безбедно коришћење електричног алата.
47. Пратите упутства за подмазивање и замену додатног прибора.
48. Ручке морају бити суве, чисте и на њима не сме бити уља ни мазива.
49. Проверите да бисте се уверили да напон и фреквенција напајања одговарају спецификацијама наведеним на идентификационој плочици. Препоручујемо употребу осигурача диференцијалне струје (прекидач у случају квара повратног нултог вода) са струјом прекидања од 30 mA или мање или заштиту за уземљење.
50. Деца старија од 8 година, особе са ограниченим физичким, сензорним или менталним способностима, као и особе без искуства и знања могу да користе ову машину ако су под надзором или су добили упутства за безбедну употребу ове машине и разумеју потенцијалне опасности у вези са њеном употребом. Деца не смеју да чисте машину и да обављају корисничко одржавање без надзора.

Резидуални ризик

Чак и ако рукујете овим производом у складу са свим безбедносним захтевима, и даље постоји потенцијални ризик од повреда и штете. Наредне опасности могу да се појаве у вези са структуром и дизајном овог производа.

1. Здравствене тегобе проузроковане вибрацијама производа ако се он користи током дужих временских периода или ако не примењујете правилно руковање и одржавање производа.
2. Повреде и оштећења имовине настали услед полумоћних алата за примену или изненадних удара скривених предмета током употребе.
3. Опасност од повреда и оштећења имовине изазваних летећим објектима.

▲УПОЗОРЕЊЕ: Овај производ емитује електромагнетно поље током рада. То поље, под извесним околностима, може да омете активне или пасивне медицинске имплантате. Да би се умањило ризик од озбиљних или кобних повреда, препоручујемо особама које имају медицинске имплантате да се консултују са лекаром и произвођачем тог медицинског имплантата пре коришћења овог производа.

САЧУВАЈТЕ ОВО УПУТСТВО.

▲УПОЗОРЕЊЕ: НЕМОЈТЕ себи да дозволите да занемарите строга безбедносна правила која се односе на овај производ услед чињенице да сте производ добро упознали и стекли рутину у руковању њиме (услед честог коришћења).

НЕНАМЕНСКА УПОТРЕБА или непоштовање безбедносних правила наведених у овом упутству могу довести до тешких телесних повреда.

СКЛАПАЊЕ

▲ПАЖЊА: Пре извођења радова на алату увек проверите да ли је искључен и да ли је утикач извучен из утичнице.

Склапање ручке

1. Скините горњу ручку са главне јединице машине.
▶ **Слика1:** 1. Горња ручка
2. Олабавите навртке.
▶ **Слика2:** 1. Навртка
3. Мало проширите ручку са спољне стране, а затим подигните ручку.
▶ **Слика3:** 1. Ручка
4. Подесите висину ручке поравнавајући стрелицу са ознаком.
▶ **Слика4:** 1. Навртка 2. Ознака 3. Стрелица
5. Притегните навртке.
▶ **Слика5:** 1. Навртка
6. Поставите горњу ручку тако што ћете уметнути полуке са спољашње стране ручке, а затим притегните навртке кључем да бисте причврстили ручку.
▶ **Слика6:** 1. Полука 2. Навртка
7. Каблове обезбедите спојницама, као што је приказано на слици.
▶ **Слика7:** 1. Спојница

Постављање корпе за траву

1. Причврстите цеви корпе за траву за оквир.
▶ **Слика8:** 1. Цев 2. Оквир
2. Отворите задњи поклопац.
▶ **Слика9:** 1. Задњи поклопац
3. Закачите корпу за траву на задњу страну машине.
▶ **Слика10**

Да бисте уклонили корпу за траву, извршите процес монтирања обрнутим редоследом.

Прикључивање продужног кабла

▲УПОЗОРЕЊЕ: Када прикључујете продужни кабл на утичницу машине, уверите се да је полука прекидача отпуштена и да је кабл искључен из напајања.

▲УПОЗОРЕЊЕ: Немојте прикључивати нити искључивати продужни кабл мокрим рукама.

ОБАВЕШТЕЊЕ: Када прикључујете продужни кабл у утичницу машине, обавезно га у потпуности поставите у утичницу.

Када прикључујете продужни кабл, окачите га на куку на ручки, као што је приказано на слици, да бисте спречили случајно искључивање услед прекомерног затезања утикача.

▶ **Слика11:** 1. Кука 2. Продужни кабл

ОПИС НАЧИНА ФУНКЦИОНИСАЊА

Подешавање висине кошења

▲УПОЗОРЕЊЕ: Пре подешавања висине кошења, искључите продужни кабл из напајања и проверите да ли су се сва сечива зауставила.

▲УПОЗОРЕЊЕ: Никада немојте стављати руку или ногу испод јединице за кошење када подешавате висину кошења.

Висину кошења можете да подешавате у опсегу од 20 мм до 55 мм (за ELM3320/ELM3720) или 20 мм до 75 мм (за ELM4120). Висина кошења може да се подеси у 3 нивоа (за ELM3320/ELM3720) или 7 нивоа (за ELM4120).

За ELM3320/ELM3720

▶ **Слика12:** 1. Полука за подешавање

За модел ELM4120

▶ **Слика13:** 1. Полука за подешавање

Држите ручку једном руком, а другом померајте полуку за подешавање.

▶ **Слика14:** 1. Полука за подешавање

НАПОМЕНА: Покушајте пробно да косите траву на мање уочљивим местима како бисте утврдили жељену висину.

Функционисање прекидача

▲УПОЗОРЕЊЕ: Пре него што укључите алат у напајање, увек проверите да ли полука прекидача исправно ради и да ли се враћа у положај „ИСКЉУЧЕНО“ када се отпусти.

▲УПОЗОРЕЊЕ: Ради ваше безбедности, ова машина има дугме за ослобађање из блокираног положаја, које спречава случајно укључивање алата. Немојте користити машину ако се она покрене када притиснете полуку прекидача а да нисте притиснули дугме за ослобађање из блокираног положаја. Обратите се локалном сервисном центру компаније Makita ради поправке.

▲УПОЗОРЕЊЕ: Немојте никада онемогућивати функцију закључавања или онемогућавати дугме за ослобађање из блокираног положаја.

ОБАВЕШТЕЊЕ: Немојте на силу вући полуку прекидача да бисте притиснули дугме за ослобађање из блокираног положаја. Прекидач се може сломити.

Да бисте покренули машину, притисните дугме за ослобађање из блокираног положаја и притисните полуку прекидача. Да бисте зауставили машину, отпустите полуку прекидача.

► **Слика15:** 1. Полука прекидача 2. Дугме за ослобађање из блокираног положаја

Индикатор нивоа корпе за траву

Индикатор нивоа корпе за траву се отвара током кошења ако корпа за траву није пуна. Ако је корпа за траву пуна, индикатор нивоа се затвара током кошења. Ако је корпа за траву пуна, испразните је пре него што почнете са кошењем.

► **Слика16:** 1. Индикатор нивоа

► **Слика17:** 1. Индикатор нивоа

Подешавање висине ручки

Висину ручки је могуће подесити у три нивоа. Олабавите навртке док држите ручку, па подесите висину ручке поравнавајући стрелицу са једном од ознака. Затим притегните навртке.

► **Слика18:** 1. Навртка 2. Ознака 3. Стрелица

Систем заштите мотора (релеј за струјно преоптерећење)

▲УПОЗОРЕЊЕ: Ако се машина изненада заустави током рада, отпустите полуку прекидача и ископчајте продужни кабл. У супротном, машина може изненада да почне да ради и изазове повреду.

▲ПАЖЊА: Пре него што уклоните предмет који је заглавио сечиво, обавезно ставите рукавице и ископчајте продужни кабл из утичнице.

Ако се покошена трава или прљавштина заглавила унутар главног тела, машина се аутоматски зауставља да би заштитила мотор (релеј за струјно преоптерећење). У том случају ископчајте продужни кабл из утичнице, уклоните материјал који је заглављен и сачекајте пар минута да се машина охлади пре него што је опет укључите.

НАПОМЕНА: Релеј за струјно преоптерећење може да се активира када се мокра или дугачка трава упетља унутар главног тела.

РАД

Кошење

▲УПОЗОРЕЊЕ: Пре кошења уклоните пруже и камење из подручја у коме ћете да косите. Затим унапред склоните и било какав коров из подручја у коме ћете да косите.

► **Слика19**

▲УПОЗОРЕЊЕ: Увек користите заштитну маску или заштитне наочаре са бочним штитницима када радите помоћу косилице.

▲ПАЖЊА: Ако се покошена трава или неко странио тело заглаве унутар тела косилице, обавезно искључите напајање и потом искључите продужни кабл из утичнице. Пре него што почнете да уклањате траву или странио тело, обавезно ставите рукавице.

▲ПАЖЊА: Обавезно поставите корпу за траву пре руковања машином.

ОБАВЕШТЕЊЕ: Користите ову машину само за кошење травњака. Немојте да косите коров са овом машином.

Чврсто држите ручку са обе руке када косите.

► **Слика20**

Смерница брзине кошења је приближно један метар на четири секунде.

► **Слика21**

Почните са кошењем у близини утичнице, да бисте се уверили да продужни кабл не представља препреку.

► **Слика22:** 1. Утичница 2. Продужни кабл

Немојте дозволити да продужни кабл пролази испод машине или да се упетља у њу.

► **Слика23**

► **Слика24**

Линије са обе стране главног тела представљају смернице за ширину кошења. Користећи линије као водиле, косите у тракама. Да бисте травњак покосили равномерно, преклопите једну половину до једне трећине претходне траке.

► **Слика25:** 1. Ширина кошења 2. Подручје преклопа 3. Линија

Сваку пут мењајте смер кошења, како травњак не би био кошен само у једном правцу.

► **Слика26**

Периодично проверавајте корпу за траву и покошену траву у њој. Испразните корпу пре него што се напуни. Пре сваке периодичне провере, обавезно зауставите машину.

НАПОМЕНА: Коришћење косилице са пуном корпом за траву спречава неометано обртање сечива и додатно оптерећује мотор, што може да узрокује хаварију.

Кошење високе траве

Немојте покушавати да сечете високу траву одједном. Радије косите травњак у корацима. Сачекајте дан или два између кошења, све док трава на травњаку не постане уједначено кратка.

► **Слика27**

НАПОМЕНА: Кошење високе траве на ниску висину једним преласком може да изазове одумирање траве. Покошена трава такође може да блокира унутрашњост јединице за кошење.

Кошење на ивицама

Када косите на ивицама, обавезно померајте машину дуж ивице.

► **Слика28**

ОДРЖАВАЊЕ

▲УПОЗОРЕЊЕ: Пре вршења одржавања, ископчајте продужни кабл из напајања и потврдите да су се сечива потпуно зауставила.

▲ПАЖЊА: Приликом вршења одржавања увек носите рукавице.

БЕЗБЕДАН и ПОУЗДАН рад алата гарантујемо само ако поправке, свако друго одржавање или подешавање, препустите овлашћеном сервису компаније Makita или фабричком сервису, уз употребу оригиналних резервних делова компаније Makita.

Одржавање након кошења

Након кошења пребришите машину сувом тканином или тканином потопљеном у сапуницу. Такође, меканом четком очектајте остатке траве и прљавштине са оштрица.

ОБАВЕШТЕЊЕ: Никад немојте да користите нафту, бензин, разређивач, алкохол и слична средства. Може доћи до губитка боје, деформације или оштећења.

Одлагање

1. Искључите продужни кабл.
► **Слика29:** 1. Продужни кабл
2. Отворите задњи поклопац и уклоните корпу са травом.
► **Слика30:** 1. Задњи поклопац 2. Корпа за траву
3. Олабавите навртке док држите ручку, затим благо проширите ручку ка споља и пресавијте је.
► **Слика31:** 1. Навртка 2. Ручка 3. Ознака 4. Стрелица

▲ПАЖЊА: Приликом савијања ручке, будите пажљиви да не уштинете шаку или прсте.

НАПОМЕНА: Уверите се да стрелица показује на ознаку на положају који је највише спреда.

4. Притегните навртке.
► **Слика32:** 1. Навртка
5. Отворите полуге и поставите кабл преко полуге.
► **Слика33:** 1. Полука 2. Кабл
6. Вратите полуге у половични положај, као што је приказано на слици.
► **Слика34:** 1. Полука
7. Пресавијте ручку.
► **Слика35:** 1. Ручка
8. Поставите машину на начин приказан на слици.
► **Слика36**

▲ПАЖЊА: Обавезно чувајте машину у затвореном простору и поставите је на равну површину. У супротном, машина може да падне и изазове повреду.

Машину можете да одложите и на следећи начин.

1. Искључите продужни кабл.
► **Слика37:** 1. Продужни кабл
2. Отворите задњи поклопац и уклоните корпу са травом.
► **Слика38:** 1. Задњи поклопац 2. Корпа за траву
3. Подесите висину кошења помоћу полуге за подешавање.

За ELM3320/ELM3720:

Подесите висину кошења на „1“.
► **Слика39:** 1. Полука за подешавање

За ELM4120:

Подесите висину кошења на „2“.
► **Слика40:** 1. Полука за подешавање

4. Олабавите навртке док држите ручку, затим благо проширите ручку ка споља и пресавијте је.
► **Слика41:** 1. Навртка 2. Ручка 3. Ознака 4. Стрелица

▲ПАЖЊА: Приликом савијања ручке, будите пажљиви да не уштинете шаку или прсте.

НАПОМЕНА: Уверите се да стрелица показује на ознаку на положају који је највише спреда.

5. Притегните навртке.
► **Слика42:** 1. Навртка
6. Поставите машину на начин приказан на слици.
► **Слика43**

▲ПАЖЊА: Обавезно чувајте машину у затвореном простору и поставите је на равну површину. У супротном, машина може да падне и изазове повреду.

Машину можете да одложите и тако што ћете јој савити ручку.

▲ПАЖЊА: Пре него што отворите полуге, чврсто ухватите горњу ручку. У супротном, ручка може да падне и изазове повреду.

1. Отворите полуге док држите горњу ручку.
► **Слика44:** 1. Полуга
2. Савијте горњу ручку.
► **Слика45:** 1. Горња ручка

Замена сечива косилице

▲ПАЖЊА: Приликом замене сечива косилице немојте да користите ниједан други кључ осим стандардног имбус кључа. Коришћење другог кључа може да доведе до прекомерног или прелабавог затезања, што може да изазове повреду.

1. Искључите продужни кабл и поставите машину исправно. (Прочитајте упутства за одлагање.)
2. Ставите иглу у отвор, а затим држите ручку једном руком и кључем олабавите завртањ у смеру супротном од кретања казаљке на сату.
► **Слика46:** 1. Лист 2. Кључ 3. Игла

3. Скините сечиво косилице.

За модел ELM3320

Редом извадите завртањ, подлошку, сечиво косилице и конзолу.

- **Слика47:** 1. Конзола 2. Сечиво косилице
3. Подлошка 4. Завртањ

За ELM3720/ELM4120

Редом извадите завртањ, подлошку, сечиво косилице, конзолу и разделник.

- **Слика48:** 1. Разделник 2. Конзола 3. Сечиво косилице 4. Подлошка 5. Завртањ

4. Причврстите ново сечиво косилице, ставите иглу у отвор, а затим држите ручку једном руком и чврсто кључем затегните завртањ у смеру кретања казаљке на сату.

- **Слика49:** 1. Сечиво косилице 2. Кључ 3. Игла

Продужни кабл

Користите само продужне каблове за спољну употребу, ПВЦ или гумене обичне каблове са попречним пресеком не мањим од 1,5 мм².

Пре и током употребе проверите да ли на каблу за напајање и продужним кабловима постоје оштећења. Немојте да користите уређај ако је кабл оштећен или истрошен. Држите продужни кабл подаље од елемената за сечење. Ако се кабл оштети током употребе, одмах га искључите из напајања. Немојте додиривати кабл пре него што искључите напајање.

ОПЦИОНИ ПРИБОР

▲ПАЖЊА: Ова опрема и прибор су предвиђени за употребу са алатом Makita описаним у овом упутству за употребу. Употреба друге опреме и прибора може да доведе до повреда. Користите делове прибора или опрему искључиво за предвиђену намену.

Да бисте добили више детаља у вези са овим прибором, обратите се локалном сервисном центру компаније Makita.

- Сечиво косилице

НАПОМЕНА: Поједине ставке на листи могу бити укључене у садржај паковања алата као стандардна опрема. Оне се могу разликовати од земље до земље.

SPECIFICAȚII

Model:	ELM3320	ELM3720	ELM4120	
Turație în gol	3.400 min ⁻¹			
Înălțime de tăiere	20 mm - 55 mm		20 mm - 75 mm	
Lățime de tăiere	330 mm	370 mm	410 mm	
Numărul piesei de schimb pânăză mașină de tuns iarba	YA00000731	YA00000732	YA00000733	
Dimensiuni (L x l x H)	În timpul funcționării (cu coș pentru iarbă)	L: 1.040 mm - 1.230 mm l: 380 mm H: 870 mm - 1.110 mm	L: 1.140 mm - 1.330 mm l: 415 mm H: 890 mm - 1.120 mm	L: 1.255 mm - 1.470 mm l: 460 mm H: 955 mm - 1.230 mm
	Când este depozitată (fără coș pentru iarbă)	350 mm x 380 mm x 1.090 mm	335 mm x 415 mm x 1.090 mm	395 mm x 460 mm x 1.220 mm
Greutate netă	10,2 kg	11,6 kg	14,5 kg	
Clasa de siguranță	□/II			

- Datorită programului nostru continuu de cercetare și dezvoltare, specificațiile pot fi modificate fără o notificare prealabilă.
- Specificațiile pot varia în funcție de țară.
- Greutatea poate diferi în funcție de accesoriu(ii). În tabel se prezintă combinația cea mai ușoară și cea mai grea, conform Procedurii EPTA 01/2014.

Simboluri

Mai jos sunt prezentate simbolurile de pe echipament. Asigurați-vă că înțelegeți sensul acestora înainte de utilizare.



Acordați atenție și grijă deosebită. Citiți manualul de utilizare.



IZOLAȚIE DUBLĂ



Pericol; țineți cont de obiectele care pot fi aruncate. Distanța dintre mașină și persoanele aflate în zonă trebuie să fie de cel puțin 15 m.



Nu atingeți componentele mașinii decât după ce toate acestea s-au oprit complet.



Țineți cablul flexibil de alimentare departe de pânzele de tăiere.



Fiiți atenți la pânzele ascuțite. Pânzele continuă să se rotească după oprirea motorului. Scoateți fișa mașinii înainte de întreținere sau în cazul în care cablul este deteriorat.



Zgomotul mașinii nu depășește 96 dB.



Feriți-vă mâinile și picioarele. Nu acționați mașina de tuns iarba decât dacă aparaturile și accesoriile sunt instalate la locul lor.



Doar pentru țările din cadrul UE
Nu aruncați aparatele electrice în gunoier menajer! În conformitate cu Directiva europeană privind deșeurile de echipamente electrice și electronice și implementarea sa conform legislației naționale, echipamentele electrice care au ajuns la sfârșitul duratei de viață trebuie colectate separat și reciclate corespunzător în vederea protecției mediului.

Destinația de utilizare

Mașina se folosește pentru tunderea ierbii. Nu folosiți mașina în alte scopuri. Folosirea mașinii pentru alte operațiuni decât cele destinate poate avea ca rezultat producerea unei situații periculoase.

Sursă de alimentare

Mașina trebuie conectată numai la o sursă de alimentare cu curent alternativ monofazat, cu tensiunea egală cu cea indicată pe plăcuța de identificare a mașinii. Acestea au o izolație dublă și, drept urmare, pot fi utilizate de la prize fără împământare. Dacă este deteriorat, cablul de alimentare trebuie înlocuit de către producător sau de agentul său de service, pentru a se evita un pericol.

Pentru sisteme publice de distribuție a energiei electrice de joasă tensiune între 220 V și 250 V

Operațiile de comutare ale aparatului electric generează fluctuații ale tensiunii. Funcționarea acestui dispozitiv în condiții de alimentare electrică nefavorabile poate afecta funcționarea altor echipamente. Cu o impedanță a rețelei electrice mai mică de sau egală cu 0,425 Ohmi (pentru ELM3720) sau 0,427 Ohmi (pentru ELM4120), se poate presupune că nu vor exista efecte negative. Priza de alimentare folosită pentru acest dispozitiv trebuie să fie protejată cu o siguranță fuzibilă sau un intrerupător de protecție cu caracteristică de declanșare lentă.

Zgomot

Standard aplicabil : EN60335

Model	Nivel de presiune acustică		Nivel de putere acustică	
	L _{PA} (dB (A))	Marjă de eroare K (dB (A))	L _{PA} (dB (A))	Marjă de eroare K (dB (A))
ELM3320	83	3	94	2
ELM3720	83	3	94	1
ELM4120	84	3	93	2

NOTĂ: Valoarea (valorile) totală(e) a (ale) emisiilor de zgomot declarate a(u) fost măsurată(e) în conformitate cu o metodă de test standard și poate (pot) fi utilizată(e) pentru compararea unei unelte cu alta.

NOTĂ: Valoarea (valorile) totală(e) a (ale) emisiilor de zgomot declarate poate (pot) fi, de asemenea, utilizată(e) într-o evaluare preliminară a expunerii.

⚠️ AVERTIZARE: Purtați echipament de protecție pentru urechi.

⚠️ AVERTIZARE: Emisiile de zgomot în timpul utilizării efective a uneltei electrice poate diferi de valoarea (valorile) nivelului declarat, în funcție de modul în care uneltea este utilizată, în special ce fel de piesă este prelucrată.

⚠️ AVERTIZARE: Asigurați-vă că identificați măsurile de siguranță pentru a proteja operatorul, acestea fiind bazate pe o estimare a expunerii în condiții reale de utilizare (luând în considerare toate părțile ciclului de operare, precum timpii în care uneltea a fost oprită, sau a funcționat în gol, pe lângă timpul de declanșare).

Vibrații

Valoarea totală a vibrațiilor (suma vectorilor tri-axiali) determinată conform EN60335:

Model ELM3320

Emisie de vibrații (a_{h1}): 2,5 m/s² sau mai puțin
Marjă de eroare (K): 1,5 m/s²

Model ELM3720

Emisie de vibrații (a_{h1}): 2,5 m/s² sau mai puțin
Marjă de eroare (K): 1,5 m/s²

Model ELM4120

Emisie de vibrații (a_{h1}): 2,5 m/s² sau mai puțin
Marjă de eroare (K): 1,5 m/s²

NOTĂ: Valoarea (valorile) totală(e) a (ale) nivelului de vibrații declarat a (au) fost măsurată(e) în conformitate cu o metodă de test standard și poate (pot) fi utilizată(e) pentru compararea unei unelte cu alta.

NOTĂ: Valoarea (valorile) totală(e) a (ale) nivelului de vibrații declarat poate (pot) fi, de asemenea, utilizată(e) într-o evaluare preliminară a expunerii.

⚠️ AVERTIZARE: Nivelul de vibrații în timpul utilizării efective a uneltei electrice poate diferi de valoarea (valorile) nivelului declarat, în funcție de modul în care uneltea este utilizată, în special ce fel de piesă este prelucrată.

⚠️ AVERTIZARE: Asigurați-vă că identificați măsurile de siguranță pentru a proteja operatorul, acestea fiind bazate pe o estimare a expunerii în condiții reale de utilizare (luând în considerare toate părțile ciclului de operare, precum timpii în care uneltea a fost oprită, sau a funcționat în gol, pe lângă timpul de declanșare).

Declarație de conformitate CE

Numai pentru țările europene

Declarația de conformitate CE este inclusă ca Anexa A în acest manual de instrucțiuni.

AVERTIZĂRI DE SIGURANȚĂ

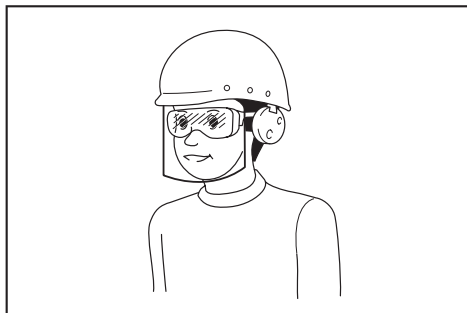
INSTRUCȚIUNI IMPORTANTE PRIVIND SIGURANȚA

⚠️ AVERTIZARE: Citiți toate avertismentele de siguranță și toate instrucțiunile. Nerespectarea acestor avertismente și instrucțiuni poate avea ca rezultat electrocutarea, incendiul și/sau rănirea gravă.

Păstrați toate avertismentele și instrucțiunile pentru consultări ulterioare.

1. Copiii trebuie supravegheați, pentru a vă asigura că aceștia nu au acces la mașina de tuns iarba.
2. Nu permiteți niciodată copiilor sau persoanelor care nu și-au însușit aceste instrucțiuni să utilizeze mașina de tuns iarba. Reglementările locale pot limita vârsta operatorului.
3. Nu folosiți mașina de tuns iarba când în apropiere se află copii sau animale de companie.
4. Amintiți-vă că operatorul sau utilizatorul este responsabil de accidentele sau situațiile periculoase antrenate de utilizarea mașinii, cauzate altor persoane sau bunurilor acestora.

5. În timpul folosirii mașinii de tuns iarba, purtați întotdeauna încălțăminte solidă și pantaloni lungi. Nu utilizați mașina de tuns iarba cu picioarele goale sau purtând sandale. Evitați să purtați bijuterii sau articole de îmbrăcăminte largi sau cu cordoane sau șnururi care atarnă. Acestea ar putea fi prinse în piesele mobile.
6. Purtați întotdeauna ochelari de protecție pentru a vă proteja ochii contra rănirii atunci când utilizați unelte electrice. Ochelarii trebuie să fie în conformitate cu ANSI Z87.1 în S.U.A., EN 166 în Europa sau AS/NZS 1336 în Australia/ Noua Zeelandă. În Australia/Noua Zeelandă se solicită în mod legal și purtarea unei măști obligatorii pentru a vă proteja fața.



Intră în responsabilitatea angajatorului să impună utilizarea unor echipamente de protecție și siguranță adecvate de către utilizatorii mașinii și de către celelalte persoane din imediata apropiere a zonei de lucru.

7. Înainte de utilizare, verificați cablul de alimentare pentru a depista eventuale semne de deteriorare sau uzură. În cazul în care cablul este deteriorat în timpul utilizării, deconectați imediat cablul de la sursa de alimentare. Nu atingeți cablul înainte de a deconecta sursa de alimentare. Nu utilizați mașina de tuns iarba în cazul în care cablul este deteriorat sau uzat.
8. Operați mașina de tuns iarba doar la lumina zilei sau la o lumină artificială puternică.
9. Evitați operarea mașinii pe iarba udă.
10. Nu utilizați niciodată mașina de tuns iarba în ploaie.
11. Țineți întotdeauna strâns mânerul.
12. Asigurați-vă întotdeauna echilibrul atunci când vă deplasați pe suprafețe înclinate.
13. Nu alergați niciodată.
14. Nu apucați pânzele de tăiere sau muchiile de tăiere expuse atunci când ridicați sau țineți mașina de tuns iarba.
15. Stare fizică – nu utilizați mașina de tuns iarba atunci când vă aflați sub influența drogurilor, alcoolului sau a oricărui medicament.
16. Țineți mâinile și picioarele la distanță de pânzele care se rotesc. Atenție - Pânzele se rotesc după ce opriți mașina.
17. Folosiți numai pânzele originale ale producătorului specificate în acest manual.
18. Înainte de folosire, verificați atent dacă pânzele prezintă fisuri sau deteriorări. Înlocuiți imediat pânzele fisurate sau deteriorate.
19. Asigurați-vă că în zonă nu se află alte persoane înainte de a tunde iarba. Opriți mașina de tuns iarba dacă apare o persoană în zonă.
20. Înlăturați corpurile străine, cum ar fi pietrele, sârmele, sticlele, oasele și bețele mari din zona de lucru înainte de a tunde iarba, pentru a preveni vătămările personale sau deteriorarea mașinii.
21. Întrerupeți imediat activitatea dacă observați orice lucru neobișnuit. Opriți mașina de tuns iarba și deconectați cablul de alimentare de la sursa de alimentare. Apoi inspectați mașina.
22. Nu încercați niciodată să efectuați reglaje ale înălțimii roților în timp ce mașina funcționează.
23. Eliberați pârghia de comutare și așteptați să înceteze rotația pânzelor înainte de a traversa alei, cărări, drumuri și orice zone acoperite cu prundiș. De asemenea, deconectați cablul de alimentare de la sursa de alimentare dacă lăsați mașina nesupravegheată, dacă vă aplecați să ridicați sau să îndepărtați ceva din cale sau în orice altă situație în care v-ar putea fi distrasă atenția de la ceea ce faceți.
24. Obiectele lovite de pânza mașinii de tuns iarba pot cauza leziuni severe persoanelor. Gazonul trebuie întotdeauna examinat cu atenție și degajat de orice obiecte înainte de fiecare operațiune de tuns iarba.
25. În cazul în care mașina de tuns iarba lovește un obiect străin, urmați acești pași:
 - Opriți mașina, eliberați pârghia de comutare și așteptați până când lama se oprește complet.
 - Deconectați cablul de alimentare de la sursa de alimentare.
 - Inspectați cu atenție mașina de tuns iarba pentru a detecta eventuale deteriorări.
 - Înlocuiți pânza dacă s-a deteriorat în vreun fel. Reparați orice defecțiune înainte de a reporni și continua operarea mașinii de tuns iarba.
26. Verificați frecvent coșul pentru iarbă, pentru a detecta semne de uzură sau deteriorare. Pentru depozitare, asigurați-vă întotdeauna că ați golit coșul pentru iarbă. Înlocuiți un coș pentru iarbă uzat cu un nou coș de schimb din fabrică pentru siguranță.
27. Procedați cu maximă atenție atunci când vă deplasați în marșarier sau când trageți mașina spre dumneavoastră.
28. Fixați bine pânza/pânzele dacă mașina trebuie înclinată pentru transport atunci când traversați suprafețe fără iarbă și când transportați mașina de tuns la sau de la locul în care va fi utilizată.
29. Nu operați niciodată mașina cu apărătorile sau protecțiile defecte sau fără dispozitivele de siguranță, cum ar fi deflectoarele și/sau separatorul de iarbă, montate.
30. Porniți mașina de tuns iarba cu atenție conform instrucțiunilor, cu picioarele la distanță de lamă(e).
31. Nu înclinați mașina atunci când porniți motorul, decât dacă mașina trebuie înclinată pentru a porni. În acest caz, nu o înclinați mai mult decât este strict necesar și ridicați numai partea care se află la distanță de operator. Aveți grijă întotdeauna ca ambele mâini să fie în poziția de operare înainte de a pune din nou aparatul pe sol.

32. Nu porniți mașina atunci când vă aflați în fața orificiului de descărcare.
33. Nu apropiați mâinile sau picioarele și nu le țineți sub piesele rotative. Păstrați în permanență distanța față de orificiul de descărcare.
34. Nu transportați mașina în timp ce este în funcțiune.
35. Opriți mașina de tuns iarba și scoateți cablul din priză. Asigurați-vă că toate piesele mobile s-au oprit complet
- ori de câte ori lăsați mașina nesupravegheată,
 - înainte de a elimina blocajele sau de a desfunda colectorul,
 - înainte de a controla sau curăța mașina, sau înainte de a lucra la aceasta,
 - după ce ați lovit un obiect străin. Verificați mașina pentru a detecta eventuale deteriorări și efectuați reparațiile necesare înainte de a repune în funcțiune și opera mașina.
36. Dacă mașina începe să vibreze anormal (verificați imediat)
- inspectați pentru a detecta eventuale deteriorări,
 - înlocuiți sau reparați orice piese deteriorate,
 - verificați și strângeți orice piese slăbite.
37. Aveți grijă în timpul reglării mașinii pentru a preveni prinderea degetelor între pânzele în mișcare și piesele fixe ale mașinii.
38. Tundeți iarba de-a lungul pantei, niciodată în sus sau în jos. Acordați atenție maximă atunci când schimbați direcția pe suprafețele înclinate. Nu tundeți iarba pe o pantă excesiv de abruptă.
39. Nu spălați mașina cu furtunul; evitați pătrunderea apei în motor și la conexiunile electrice.
40. Verificați la intervale frecvente dacă șurubul de fixare al pânzei este străns corespunzător.
41. Mențineți piulițele, bolțurile și șuruburile strănse pentru a vă asigura că echipamentul este în bună stare de funcționare.
42. Aveți grijă, deoarece rotirea unei pânze poate face ca și alte pânze să se rotească.
43. Lăsați întotdeauna mașina să se răcească înainte de a o depozita.
44. Când efectuați operațiuni de service asupra pânzelor, rețineți că, deși sursa de alimentare este oprită, pânzele se pot mișca în continuare.
45. Pentru siguranță, înlocuiți componentele uzate sau deteriorate. Utilizați doar piese de schimb și accesorii originale.
46. Mașina electrică trebuie reparată de o persoană calificată, folosind piese identice de schimb. Astfel se mențin siguranța și fiabilitatea mașinii electrice.
47. Respectați instrucțiunile de lubrifiere și de schimbare a accesoriilor.
48. Asigurați-vă că aveți mâinile uscate, curate și fără ulei sau unsoare.
49. Asigurați-vă că tensiunea și frecvența sursei de alimentare corespund specificațiilor de pe plăcuța de identificare. Recomandăm utilizarea unui întrerupător de curent rezidual (întrerupător automat pentru curentul de fugă) cu o intensitate a curentului de declanșare de 30 mA sau mai puțin sau o siguranță pentru scurgerea de curent prin pământ.
50. Această mașină poate fi utilizată de copiii cu vârsta de cel puțin 8 ani și de persoanele cu capacități fizice, senzoriale sau mentale reduse ori lipsite de experiență și cunoștințe doar dacă sunt supravegheate sau au fost instruite cu privire la utilizarea mașinii în siguranță și înțeleg pericolele implicate. Curățarea și întreținerea nu vor fi efectuate de copii nesupravegheați.

Riscuri reziduale

Chiar dacă folosiți acest produs în conformitate cu toate cerințele de siguranță, există riscuri potențiale de rănire și de deteriorare. Următoarele pericole pot apărea în legătură cu structura și designul acestui produs.

1. Efecte negative asupra sănătății, rezultate din emisia de vibrații, dacă produsul este utilizat pe perioade lungi de timp sau nu este folosit și întreținut corespunzător.
2. Răniri și pagube materiale cauzate de unelte de aplicație deteriorate sau de impactul brusc al obiectelor ascunse în timpul utilizării.
3. Pericol de rănire și pagube materiale cauzate de obiecte mobile în aer.

⚠️AVERTIZARE: Acest produs generează un câmp electromagnetic în timpul funcționării. Acest câmp poate, în anumite circumstanțe, să interfereze cu implanturile medicale active sau pasive. Pentru a reduce riscul de vătămare gravă sau fatală, recomandăm persoanelor cu implanturi medicale să consulte medicul și producătorul implantului medical înainte de a folosi acest produs.

PĂSTRAȚI ACESTE INSTRUCȚIUNI.

⚠️AVERTIZARE: NU permiteți comodității și familiarizării cu produsul (obținute prin utilizare repetată) să înlocuiască respectarea strictă a normelor de securitate pentru acest produs.

FOLOSIREA INCORECTĂ sau nerespectarea normelor de securitate din acest manual de instrucțiuni poate provoca vătămări corporale grave.

ASAMBLARE

⚠️ATENȚIE: Asigurați-vă că ați oprit mașina și că ați deconectat-o de la rețea înainte de a efectua vreă intervenție asupra mașinii.

Asamblarea mânerului

1. Descărcați mânerul superior din unitatea principală a mașinii.
▶ **Fig.1:** 1. Mâner superior
2. Slăbiți piulițele moletate.
▶ **Fig.2:** 1. Piuliță moletată

3. Trageți de mâner puțin în exterior și apoi ridicați mânerul.

► **Fig.3:** 1. Mâner

4. Reglați înălțimea mânerului aliniind săgeata cu marcajul.

► **Fig.4:** 1. Piuliță moletată 2. Marcaj 3. Săgeată

5. Strângeți piulițele moletate.

► **Fig.5:** 1. Piuliță moletată

6. Atașați mânerul superior introducând pârghiile din afara mânerului, iar apoi strângeți piulițele cu cheia pentru a fixa mânerul.

► **Fig.6:** 1. Pârghie 2. Piuliță

7. Fixați cablurile cu dispozitivele de strângere, după cum se arată în figură.

► **Fig.7:** 1. Dispozitiv de strângere

Montarea coșului pentru iarbă

1. Atașați țevile coșului pentru iarbă la cadru.

► **Fig.8:** 1. Țeavă 2. Cadru

2. Deschideți capacul posterior.

► **Fig.9:** 1. Capac posterior

3. Agățați coșul pentru iarbă pe partea din spate a utilajului.

► **Fig.10**

Pentru a demonta coșul pentru iarbă, executați în ordine inversă operațiile de instalare.

Conectarea cablului prelungitor

AVERTIZARE: Atunci când conectați cablul prelungitor la fișa mașinii, asigurați-vă că pârghia de comutare este eliberată, iar cablul este deconectat de la sursa de alimentare.

AVERTIZARE: Nu conectați și nu deconectați cablul prelungitor cu mâinile umede.

NOTĂ: Atunci când conectați cablul prelungitor la fișa mașinii, aveți grijă să îl introduceți complet în priză.

Atunci când conectați cablul prelungitor, agățați-l pe cârligul de pe mâner, după cum se arată în figură, pentru a preveni deconectarea accidentală în urma tensiunii excesive a fișei.

► **Fig.11:** 1. Cârlig 2. Cablu prelungitor

DESCRIEREA FUNCȚIILOR

Reglarea înălțimii de tundere a ierbii

AVERTIZARE: Înainte de a regla înălțimea de tundere a ierbii, deconectați cablul prelungitor de la sursa de alimentare și verificați dacă pânzele s-au oprit complet.

AVERTIZARE: Nu țineți niciodată mâna sau piciorul sub mașină atunci când reglați înălțimea de tundere a ierbii.

Puteți regla înălțimea de tundere de la 20 mm până la 55 mm (pentru ELM3320/ELM3720) sau de la 20 mm până la 75 mm (pentru ELM4120). Înălțimea de tundere poate fi reglată pe 3 niveluri (pentru ELM3320/ELM3720) sau 7 niveluri (pentru ELM4120).

Pentru ELM3320/ELM3720

► **Fig.12:** 1. Pârghie de reglare

Pentru ELM4120

► **Fig.13:** 1. Pârghie de reglare

Țineți mânerul cu o mână, iar apoi mișcați pârghia de reglare cu cealaltă mână.

► **Fig.14:** 1. Pârghie de reglare

NOTĂ: Încercați ca test să tundeți iarbă într-un loc mai puțin accesibil pentru a obține înălțimea dorită.

Acționarea întrerupătorului

AVERTIZARE: Înainte de a conecta mașina la rețea, verificați întotdeauna dacă pârghia de comutare funcționează corect și dacă revine la poziția „OPRIT” atunci când este eliberată.

AVERTIZARE: Pentru siguranța dumneavoastră, acest utilaj este echipat cu un buton de blocare care previne pornirea neintenționată a mașinii. Nu utilizați niciodată mașina dacă pornește atunci când trageți pârghia de comutare fără a apăsa butonul de blocare. Adresați-vă centrului local de service Makita pentru efectuarea reparațiilor.

AVERTIZARE: Nu dezactivați niciodată funcția de blocare sau nu blocați cu bandă adezivă butonul de blocare.

NOTĂ: Nu trageți puternic pârghia de comutare fără a apăsa butonul de blocare. Comutatorul se poate rupe.

Pentru a porni mașina, apăsați butonul de blocare și apoi strângeți pârghia de comutare. Pentru a opri mașina, eliberați pârghia de comutare.

► **Fig.15:** 1. Pârghie de comutare 2. Buton de blocare

Indicator de nivel al coșului pentru iarbă

Indicatorul de nivel al coșului pentru iarbă se deschide în timpul operației de tundere a ierbii dacă coșul pentru iarbă nu este plin. Dacă coșul pentru iarbă este plin, indicatorul de nivel se închide în timpul operației de tundere a ierbii. Goliți coșul pentru iarbă dacă este plin, înainte de a începe operația de tundere a ierbii.

► Fig.16: 1. Indicator de nivel

► Fig.17: 1. Indicator de nivel

Reglarea înălțimii mânerului

Înălțimea mânerului poate fi reglată la trei niveluri. Slăbiți piulițele moletate ținând de mâner, apoi reglați înălțimea mânerului aliniind săgeata cu unul dintre marcaje, iar apoi strângeți piulițele moletate.

► Fig.18: 1. Piuliță moletată 2. Marcaj 3. Săgeată

Sistem de protecție a motorului (Releu de supraindensitate)

AVERTIZARE: Dacă mașina se oprește brusc în timpul utilizării, eliberați pârghia de comutare și deconectați cablul prelungitor. În caz contrar, utilajul poate reporni brusc, cauzând vătămări.

ATENȚIE: Înainte de a înlătura un obiect care blochează pâna, aveți grijă să vă puneți mănuși și să deconectați cablul prelungitor de la priză.

Dacă se blochează iarbă tăiată sau murdărie în corpul principal, utilajul se oprește automat pentru a proteja motorul (releu de supraindensitate). În acest caz, deconectați cablul de alimentare de la priză, apoi îndepărtați materialul care a cauzat blocajul și așteptați câteva minute ca mașina să se răcească înainte de a-l reporni.

NOTĂ: Releu de supraindensitate s-ar putea activa atunci când fire de iarbă umede sau înaltă se prind în corpul principal.

OPERAREA

Tunderea ierbii

AVERTIZARE: Înainte de a tunde iarbă, degajați zona de utilizare de bețe și pietre. De asemenea, îndepărtați în prealabil eventualele buruieni din zona de utilizare.

► Fig.19

AVERTIZARE: Purtați întotdeauna ochelari de protecție speciali sau ochelari de protecție cu apărători laterale atunci când operați mașina.

ATENȚIE: Dacă se blochează iarbă tăiată sau obiecte străine în corpul mașinii de tuns iarbă, aveți grijă să opriți alimentarea cu energie a mașinii, iar apoi să scoateți cablul prelungitor din priză. Înainte de a îndepărta iarbă sau obiectul străin, puneți-vă mănuși.

ATENȚIE: Asigurați-vă că ați instalat coșul pentru iarbă atunci când folosiți mașina.

NOTĂ: Folosiți această mașină numai pentru tunderea gazonului. Nu tundeți buruieni cu această mașină.

Țineți ferm mânerul cu ambele mâini în timpul lucrului.

► Fig.20

Viteza de lucru indicată orientativ este de circa un metru la patru secunde.

► Fig.21

Începeți să tundeți în apropierea prizei pentru a vă asigura că nu devine un obstacol cablul prelungitor.

► Fig.22: 1. Priză 2. Cablu prelungitor

Nu lăsați cablul prelungitor să treacă pe sub mașină sau să se încălzească sub aceasta.

► Fig.23

► Fig.24

Linile de pe ambele părți ale corpului principal arată care este lățimea de tundere. Utilizând liniile ca reper, tundeți iarbă în benzi. Suprapuneți benzile cu o jumătate până la o treime din banda anterioară pentru a tunde uniform gazonul.

► Fig.25: 1. Lățime de tundere 2. Zonă de suprapunere 3. Linie

Schimbați direcția de tundere de fiecare dată pentru ca modelul ierbii să nu se formeze într-o singură direcție.

► Fig.26

Verificați periodic cantitatea de iarbă din coș. Goliți coșul înainte de a se umple. Înaintea fiecărei verificări periodice, aveți grijă să opriți mașina.

NOTĂ: Folosirea mașinii de tuns iarbă cu un coș pentru iarbă plin nu permite rotirea lină a lamei și plasează o sarcină suplimentară asupra motorului, ceea ce poate cauza avariarea acestuia.

Tunderea unui gazon cu iarbă înaltă

Nu încercați să tăiați iarbă înaltă dintr-o singură încercare. În schimb, tundeți-o în etape. Lăsați o zi sau două între tunderi ca firele de iarbă să ajungă la aceeași înălțime.

► Fig.27

NOTĂ: Tunderea ierbii înalte la o înălțime mică dintr-o singură încercare poate cauza ofilirea ierbii. De asemenea, iarbă tăiată se poate bloca în mașină.

Tunderea marginilor

Atunci când tundeți pe margini, aveți grijă să deplasați mașina de-a lungul marginii.

► Fig.28

ÎNȚREȚINERE

⚠️AVERTIZARE: Înainte de a efectua întreținerea, deconectați cablul prelungitor de la sursa de alimentare și confirmați faptul că pânzele s-au deschis complet.

⚠️ATENȚIE: Purtați întotdeauna mănuși atunci când efectuați întreținerea.

Pentru a menține SIGURANȚA și FIABILITATEA produsului, reparațiile și orice alte lucrări de întreținere sau reglare trebuie executate de centre de service Makita autorizate sau proprii, folosind întotdeauna piese de schimb Makita.

Întreținere după operația de tundere a ierbii

După tundere, ștergeți mașina cu o cârpă uscată sau cu o cârpă umezită în apă cu săpun. De asemenea, utilizați o perie moale pentru a îndepărta resturile de iarbă tăiată și murdărie de pe pânze.

NOTĂ: Nu utilizați niciodată gazolină, benzină, diluant, alcool sau alte substanțe asemănătoare. În caz contrar, pot rezulta decolorări, deformări sau fisuri.

Depozitare

1. Deconectați cablul prelungitor.

▶ Fig.29: 1. Cablu prelungitor

2. Deschideți capacul posterior, iar apoi demontați coșul pentru iarbă.

▶ Fig.30: 1. Capac posterior 2. Coș pentru iarbă

3. Slăbiți piulițele moletate ținând în același timp de mâner, apoi trageți de mâner puțin în exterior și pliați mânerul.

▶ Fig.31: 1. Piuliță moletată 2. Mâner 3. Marcaj 4. Săgeată

⚠️ATENȚIE: La plierea mânerului, aveți grijă să nu vă prindeți mâna sau degetele.

NOTĂ: Asigurați-vă că săgeata indică marcajul din poziția frontală extremă.

4. Strângeți piulițele moletate.

▶ Fig.32: 1. Piuliță moletată

5. Deschideți pârghiile și apoi așezați cablul peste pârghie.

▶ Fig.33: 1. Pârghie 2. Cablu

6. Readuceți pârghiile în poziția de mijloc, așa cum se arată în imagine.

▶ Fig.34: 1. Pârghie

7. Pliati mânerul.

▶ Fig.35: 1. Mâner

8. Așezați mașina, după cum se arată în figură.

▶ Fig.36

⚠️ATENȚIE: Asigurați-vă că depozitați mașina în interior și așezați-o pe o suprafață plană. În caz contrar, mașina poate cădea, cauzând accidentări.

De asemenea, puteți depozita mașina în felul următor.

1. Deconectați cablul prelungitor.

▶ Fig.37: 1. Cablu prelungitor

2. Deschideți capacul posterior, iar apoi demontați coșul pentru iarbă.

▶ Fig.38: 1. Capac posterior 2. Coș pentru iarbă

3. Setați înălțimea de tundere a ierbii cu maneta de reglare.

Pentru ELM3320/ELM3720:

Setați înălțimea de tundere a ierbii la „1”.

▶ Fig.39: 1. Pârghie de reglare

Pentru ELM4120:

Setați înălțimea de tundere a ierbii la „2”.

▶ Fig.40: 1. Pârghie de reglare

4. Slăbiți piulițele moletate ținând în același timp de mâner, apoi trageți de mâner puțin în exterior și pliați mânerul.

▶ Fig.41: 1. Piuliță moletată 2. Mâner 3. Marcaj 4. Săgeată

⚠️ATENȚIE: La plierea mânerului, aveți grijă să nu vă prindeți mâna sau degetele.

NOTĂ: Asigurați-vă că săgeata indică marcajul din poziția frontală extremă.

5. Strângeți piulițele moletate.

▶ Fig.42: 1. Piuliță moletată

6. Așezați mașina, după cum se arată în figură.

▶ Fig.43

⚠️ATENȚIE: Asigurați-vă că depozitați mașina în interior și așezați-o pe o suprafață plană. În caz contrar, mașina poate cădea, cauzând accidentări.

De asemenea, puteți depozita mașina pliidnd mânerul.

⚠️ATENȚIE: Înainte de a deschide pârghiile, țineți bine de mânerul superior. În caz contrar, mânerul poate cădea, cauzând accidentări.

1. Deschideți pârghiile ținând totodată de mânerul superior.

▶ Fig.44: 1. Pârghie

2. Pliati mânerul superior.

▶ Fig.45: 1. Mâner superior

Înlocuirea pânzei mașinii de tuns iarba

⚠️ATENȚIE: Nu utilizați altă cheie decât cheia imbus standard atunci când înlocuiți pânza mașinii de tuns iarba. Utilizarea altei chei poate conduce la strângere excesivă sau slăbire, fapt care poate cauza accidentări.

1. Deconectați cablul de alimentare și ridicați mașina. (Consultați instrucțiunile pentru depozitare.)
2. Introduceți știftul în gaură, apoi țineți mânerul cu o mână și desfaceți șurubul cu cheia spre stânga.
► **Fig.46:** 1. Pânză 2. Cheie 3. Știft
3. Scoateți pânza mașinii de tuns iarba.

Pentru ELM3320

Scoateți pe rând șurubul, șaiba, pânza mașinii de tuns iarba și consola.

- **Fig.47:** 1. Consolă 2. Pânza mașinii de tuns iarba
3. Șaibă 4. Șurub

Pentru ELM3720/ELM4120

Scoateți pe rând șurubul, șaiba, pânza mașinii de tuns iarba, consola și distanțierul.

- **Fig.48:** 1. Distanțier 2. Consolă 3. Pânza mașinii de tuns iarba 4. Șaibă 5. Șurub

4. Atașați o nouă pânză mașină de tuns iarba, introduceți știftul în gaură, iar apoi țineți mânerul cu o mână și strângeți cu putere șurubul cu cheia spre dreapta.

- **Fig.49:** 1. Pânză mașină de tuns iarba 2. Cheie
3. Știft

Cablul prelungitor

Trebuie să utilizați pe post de cabluri prelungitoare numai cabluri de PVC sau de cauciuc pentru utilizare exterioară și condiții de lucru obișnuite, cu o arie a secțiunii transversale de cel puțin $1,5 \text{ mm}^2$. Înaintea și în timpul utilizării, verificați cablurile de alimentare și prelungitoare pentru eventuale deteriorări. Nu utilizați aparatul în cazul în care cablul este deteriorat sau uzat. Țineți cablul prelungitor departe de elementele de tăiere. În cazul în care cablul este deteriorat în timpul utilizării, deconectați imediat cablul de la sursa de alimentare. Nu atingeți cablul înainte de a deconecta sursa de alimentare.

ACCESORII OPȚIONALE

⚠ ATENȚIE: Folosiți accesoriile sau piesele auxiliare recomandate pentru mașina dumneavoastră Makita în acest manual. Utilizarea oricăror alte accesorii sau piese auxiliare poate prezenta risc de vătămare corporală. Utilizați accesoriile și piesele auxiliare numai în scopul destinat.

Dacă aveți nevoie de asistență sau de mai multe detalii referitoare la aceste accesorii, adresați-vă centrului local de service Makita.

- Pânza mașinii de tuns iarba

NOTĂ: Unele articole din listă pot fi incluse ca accesorii standard în ambalajul de scule. Acestea pot diferi în funcție de țară.

ТЕХНІЧНІ ХАРАКТЕРИСТИКИ

Модель:		ELM3320	ELM3720	ELM4120
Швидкість у режимі холостого ходу		3 400 хв ⁻¹		
Висота скошування		20 мм – 55 мм		20 мм – 75 мм
Ширина скошування		330 мм	370 мм	410 мм
Змінне ріжуче полотно газонокосарки, номер деталі		YA00000731	YA00000732	YA00000733
Габаритні розміри (Д x Ш x В)	У робочому положенні (із встановленою корзиною для трави)	Д: от 1 040 мм до 1 230 мм Ш: 380 мм В: от 870 мм до 1 110 мм	Д: от 1 140 мм до 1 330 мм Ш: 415 мм В: от 890 мм до 1 120 мм	Д: от 1 255 мм до 1 470 мм Ш: 460 мм В: от 955 мм до 1 230 мм
	У положенні для зберігання (без корзини для трави)	350 мм x 380 мм x 1 090 мм	335 мм x 415 мм x 1 090 мм	395 мм x 460 мм x 1 220 мм
Маса нетто		10,2 кг	11,6 кг	14,5 кг
Клас безпеки		II		

- Оскільки наша програма наукових досліджень і розробок триває безперервно, наведені тут технічні характеристики можуть бути змінені без попередження.
- У різних країнах технічні характеристики можуть бути різними.
- Вага може відрізнятись залежно від допоміжного обладнання. Найлегші та найважчі комплекти, відповідно до стандарту ЕРТА (Європейська асоціація виробників електроінструменту) від січня 2014 року, представлено в таблиці.

СИМВОЛИ

Далі наведено символи, які застосовуються для позначення обладнання. Перед користуванням переконайтеся, що ви розумієте їхнє значення.



Будьте особливо уважні та обережні!
Читайте посібник з експлуатації.



ПОДВІЙНА ІЗОЛЯЦІЯ



Небезпечно! Пам'ятайте, що предмети можуть відскочити.
Відстань між інструментом і сторонніми особами повинна становити не менше 15 м.



Зачекайте до повної зупинки всіх частин машини, перш ніж торкатися їх.



Не допускайте потрапляння гнучкого шнура живлення під ріжучі полотна.



Будьте обережні з гострими ріжучими полотнами. Полотна продовжують обертатися після вимкнення двигуна. Перед проведенням обслуговування або в разі пошкодження шнура від'єднайте машину від джерела живлення.



Рівень шуму машини не перевищує 96 дБ.



Тримайте руки та ноги подалі від зони дії машини. Не використовуйте газонокосарку, якщо захисні кожухи та допоміжне обладнання не встановлені належним чином.



Тільки для країн ЄС
Не утилізуйте електричне обладнання разом із побутовими відходами! Згідно з Європейською директивою про утилізацію електричного та електронного обладнання і з її використанням із дотриманням національних законів, електричне обладнання, термін служби якого закінчився, слід збирати в окремо відведених місцях і повертати на відповідні підприємства з його переробки.

Призначення

Газонокосарка призначена для косіння газонів. Не використовуйте її в інших цілях. Використання газонокосарки не за призначенням може призвести до виникнення небезпечної ситуації.

Джерело живлення

Інструмент можна підключати лише до джерела живлення, що має напругу, зазначену в таблиці із заводськими характеристиками, і він може працювати лише від однофазного джерела змінного струму. Він має подвійну ізоляцію, а отже може також підключатися до розеток без лінії заземлення. Якщо шнур живлення пошкоджено, замініть його у виробника або його представника, щоб не створювати загроз безпеці.

Для використання від низьковольтної мережі від 220 В до 250 В

Увімкнення й вимкнення електричного приладу спричиняє коливання напруги. Експлуатація цього пристрою за несприятливих умов мережі може негативно вплинути на роботу іншого обладнання. Якщо повний опір мережі не перевищує 0,425 Ом (для ELM3720) або 0,427 Ом (для ELM4120), можна виходити з того, що інструмент не чинитиме жодного негативного впливу. Мережева розетка, до якої буде підключено цей пристрій, має бути захищена запобіжником або захисним автоматичним вимикачем плавного розчіплювання.

Шум

Відповідний стандарт : EN60335

Модель	Рівень звукового тиску		Рівень акустичної потужності	
	L _{PA} (дБ (А))	Похибка К (дБ (А))	L _{PA} (дБ (А))	Похибка К (дБ (А))
ELM3320	83	3	94	2
ELM3720	83	3	94	1
ELM4120	84	3	93	2

ПРИМІТКА: Заявлене значення шуму було виміряно відповідно до стандартних методів тестування й може використовуватися для порівняння одного інструмента з іншим.

ПРИМІТКА: Заявлене значення шуму може також використовуватися для попереднього оцінювання впливу.

▲ ПОПЕРЕДЖЕННЯ: Користуйтеся засобами захисту органів слуху.

▲ ПОПЕРЕДЖЕННЯ: Залежно від умов використання рівень шуму під час фактичної роботи електроінструмента може відрізнятись від заявленого значення вібрації; особливо сильно на це впливає тип деталі, що оброблюється.

▲ ПОПЕРЕДЖЕННЯ: Забезпечте належні запобіжні заходи для захисту оператора, що відповідають умовам використання інструмента (слід брати до уваги всі складові робочого циклу, як-от час, коли інструмент вимкнено та коли він починає працювати на холостому ході під час запуску).

Вібрація

Загальна величина вібрації (векторна сума трьох напрямків) визначена згідно з EN60335:

Модель ELM3320

Вібрація (a_n): 2,5 м/с² або менше
Похибка (К): 1,5 м/с²

Модель ELM3720

Вібрація (a_n): 2,5 м/с² або менше
Похибка (К): 1,5 м/с²

Модель ELM4120

Вібрація (a_n): 2,5 м/с² або менше
Похибка (К): 1,5 м/с²

ПРИМІТКА: Заявлене загальне значення вібрації було виміряно відповідно до стандартних методів тестування й може використовуватися для порівняння одного інструмента з іншим.

ПРИМІТКА: Заявлене загальне значення вібрації може також використовуватися для попереднього оцінювання впливу.

▲ ПОПЕРЕДЖЕННЯ: Залежно від умов використання вібрація під час фактичної роботи електроінструмента може відрізнятись від заявленого значення вібрації; особливо сильно на це впливає тип деталі, що оброблюється.

▲ ПОПЕРЕДЖЕННЯ: Забезпечте належні запобіжні заходи для захисту оператора, що відповідають умовам використання інструмента (слід брати до уваги всі складові робочого циклу, як-от час, коли інструмент вимкнено та коли він починає працювати на холостому ході під час запуску).

Декларація про відповідність стандартам ЄС

Тільки для країн Європи

Декларацію про відповідність стандартам ЄС наведено в Додатку А до цієї інструкції з експлуатації.

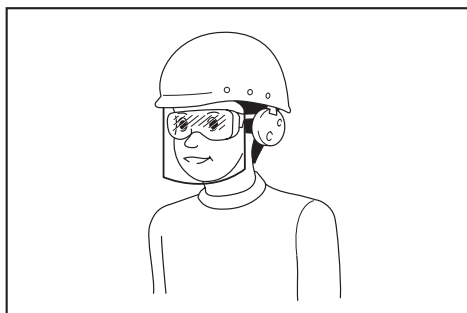
ПОПЕРЕДЖЕННЯ ПРО ДОТРИМАННЯ ТЕХНІКИ БЕЗПЕКИ

ВАЖЛИВІ ІНСТРУКЦІЇ З ТЕХНІКИ БЕЗПЕКИ

▲ ПОПЕРЕДЖЕННЯ: Прочитайте усі застереження стосовно техніки безпеки та всі інструкції. Недотримання попереджень та інструкцій може призвести до ураження електричним струмом, до виникнення пожежі та/або до отримання серйозних травм.

Збережіть усі інструкції з техніки безпеки та експлуатації на майбутнє.

1. Не допускайте, щоб діти гравися з газонокосаркою.
2. Не дозволяйте користуватися газонокосаркою особам, не ознайомленим із цими інструкціями, та дітям. Місцеві норми можуть накладати обмеження на вік користувача.
3. Заборонено працювати з газонокосаркою, коли інші люди, особливо діти, або домашні тварини знаходяться поблизу.
4. Пам'ятайте, що оператор або користувач несе відповідальність за нещасні випадки та створення ситуацій, небезпечних для людей та їхнього майна.
5. Перед використанням газонокосарки обов'язково взувайте міцне взуття та вдягайте довгі штани. Заборонено працювати з газонокосаркою босоніж або у відкритих сандаліях. Не рекомендовано вдягати прикраси, занадто вільний одяг або одяг, який має звисаючі мотузки або шнурки. Вони можуть потрапити в частини інструмента, що рухаються.
6. Завжди користуйтеся захисними окулярами, щоб захистити очі від травмування під час роботи з електроінструментами. Захисні окуляри мають відповідати стандарту ANSI Z87.1 у США, EN 166 у Європі або AS/NZS 1336 в Австралії / Новій Зеландії. В Австралії / Новій Зеландії законодавство вимагає користуватися також щитком для захисту обличчя.



Роботодавець відповідає за те, щоб оператори інструментів та інші особи, які знаходяться безпосередньо в робочій зоні, примусово користувалися відповідним захисним устаткуванням.

7. Перед використанням огляньте шнур живлення та подовжувальний шнур і переконайтеся у відсутності ознак пошкодження або старіння. У разі пошкодження шнура під час роботи терміново від'єднайте його від джерела живлення. Не торкайтеся шнура, доки він не буде від'єднаний від джерела живлення. Не використовуйте газонокосарку, якщо шнур пошкоджений або зношений.
8. Користуйтеся газонокосаркою тільки у світлій час доби або за достатнього штучного освітлення.
9. Не використовуйте газонокосарку на вологій траві.
10. Заборонено працювати з газонокосаркою під дощем.
11. Обов'язково міцно тримайте ручку.
12. Працюючи на схилах, обов'язково займайте стійке положення.
13. Пересувайтеся повільно, не переходьте на біг.
14. Піднімаючи газонокосарку або тримаючи її, не торкайтеся відкритого ріжучого полотна або ріжучої кромки.
15. Фізичний стан: у жодному разі не використовуйте газонокосарку, перебуваючи під впливом наркотичних речовин, алкоголю або будь-яких медичних препаратів.
16. Тримайте ноги та руки подалі від ріжучого полотна, що обертається. Обережно! Полотно продовжують рух за інерцією після вимкнення газонокосарки.
17. Використовуйте тільки оригінальне ріжуче полотно, зазначене в цьому посібнику.
18. Перед початком роботи ретельно перевірте полотно на наявність тріщин або пошкоджень. У разі виявлення тріщин або пошкоджень негайно замініть полотно.
19. Перед початком роботи переконайтеся у відсутності сторонніх осіб на робочій ділянці. Зупиніть газонокосарку, якщо хтось наблизиться до місця роботи.
20. Щоб уникнути пошкодження газонокосарки або травмування, перед початком роботи прибери із робочої зони сторонні предмети, як-от каміння, дроти, пляшки, кістки або великі гілки.
21. Негайно припиніть роботу, якщо помітите будь-які відхилення. Вимкніть газонокосарку та від'єднайте шнур живлення від джерела живлення. Після цього огляньте газонокосарку.
22. Не намагайтеся відрегулювати висоту коліс під час роботи газонокосарки.
23. Відпустіть пусковий важіль та зачекайте до зупинки ріжучого полотна, перш ніж перетинати дорогу, тротуар, проїзну частину або ділянку, вкриту гравієм. Від'єднайте шнур живлення від джерела живлення, якщо потрібно залишити газонокосарку без нагляду, нахилитися, щоб підняти або прибрати сторонні предмети з дороги, а також у разі будь-якої ситуації, яка може відволікти вас від роботи.

24. Якщо ріжуче полотно газонокосарки натрапить на будь-який сторонній предмет, це може призвести до травмування. Щоразу перед використанням газонокосарки уважно оглядайте газон та прибирайте з нього всі сторонні предмети.
25. Якщо газонокосарка натрапить на сторонній предмет, виконайте такі дії:
 - зупиніть газонокосарку, відпустіть пусковий важіль та дочекайтеся повної зупинки ріжучого полотна;
 - від'єднайте шнур живлення від джерела живлення;
 - ретельно огляньте газонокосарку на наявність пошкоджень;
 - у разі виявлення будь-яких пошкоджень ріжучого полотна замініть його. Усуньте всі пошкодження, перш ніж продовжувати використання газонокосарки.
26. Регулярно через невеликі проміжки часу перевіряйте корзину для трави на наявність ознак зношення або пошкодження. Зберігати інструмент необхідно з порожньою корзиною для трави. Щоб гарантувати безпечно використання інструмента, замініть зношену корзину для трави новою оригінальною запасною корзиною.
27. Будьте надзвичайно уважні, повертаючи або пересуваючи газонокосарку до себе.
28. Зупиніть ріжучі полотна, якщо потрібно нахилити газонокосарку та перенести через ділянку, де не росте трава, або з однієї робочої ділянки на іншу.
29. Заборонено використовувати газонокосарку із пошкодженими захисними кожухами чи щитками або без встановлених захисних пристроїв, як-от відбивачів та/або корзини для трави.
30. Обережно увімкніть газонокосарку згідно з наведеними інструкціями, тримаючи ноги подалі від ріжучих полотен.
31. Під час запуску двигуна не нахилийте газонокосарку; виняток становлять ті випадки, коли для запуску двигуна газонокосарку необхідно нахилити. Проте навіть у цьому разі не нахилийте її більше, ніж це необхідно, підіймаючи ту її частину, яка знаходиться з протилежного від вас боку. Обидві руки мають знаходитися у робочому положенні, коли ви опускаєте пристрій на землю.
32. Не запускайте газонокосарку, стоячи перед випускним отвором.
33. Не наближайте руки та ноги до частин, що обертаються. Тримайтеся на відстані від випускного отвору.
34. Заборонено транспортувати газонокосарку в увімкненому стані.
35. Вимкніть газонокосарку й витягніть вилку з розетки. Переконайтеся, що всі обертальні частини повністю зупинилися, у таких випадках:
 - коли залишаєте газонокосарку без нагляду;
 - перед видаленням засмічення або прочищенням трубки;
- перед перевіркою та очищенням інструмента або проведенням робіт на газонокосарці;
- якщо інструмент натрапив на сторонній предмет. Огляньте газонокосарку на наявність пошкоджень, виконайте необхідний ремонт і тільки після цього продовжуйте роботу.
36. Якщо спостерігається аномальна вібрація газонокосарки (потрібна негайна перевірка):
 - огляньте інструмент на наявність пошкоджень;
 - замініть або відремонтуйте пошкоджені частини;
 - перевірте на наявність незакріплених деталей та затягніть їх.
37. Під час налаштування газонокосарки стежте за тим, щоб пальці не потрапили між ріжучими полотнами, що обертаються, та нерухомими частинами газонокосарки.
38. На схилах пересувайте газонокосарку попереку них, а не вгору та вниз. Будьте надзвичайно уважні, коли змінюєте напрямок руху газонокосарки на схилах. Не використовуйте газонокосарку на дуже крутих схилах.
39. Не мийте інструмент із шланга; не допускайте потрапляння води у двигун та на електричні з'єднання.
40. Регулярно через невеликі проміжки часу перевіряйте, чи надійно затягнуто болт кріплення ріжучого полотна.
41. Щоб гарантувати безпечну роботу інструмента, перевіряйте надійність затягування всіх гаюк, болтів та гвинтів.
42. Будьте обережні: одне полотно, що обертається, може спричинити рух інших полотен.
43. Перед тим як ставити газонокосарку на зберігання, зачекайте, доки вона охолоне.
44. Під час обслуговування ріжучих полотен пам'ятайте про те, що вони все ще можуть рухатися, навіть якщо джерело живлення відключено.
45. Щоб гарантувати безпечну роботу, замінійте зношені або пошкоджені деталі. Використовуйте тільки оригінальні запасні частини та приладдя.
46. Ремонт електроінструмента повинен здійснювати лише кваліфікований майстер з використанням лише стандартних деталей. Це забезпечить підтримання електроінструмента в належному стані.
47. Дотримуйтесь інструкції щодо змащення та заміни оснащення.
48. Ручки повинні бути сухими, чистими та без залишків мастила.
49. Переконайтеся, що напруга і частота джерела живлення збігаються з технічними характеристиками, зазначеними на паспортній табличці. Рекомендуємо використовувати диференційний автоматичний вимикач (переривник замикання на землю) зі струмком розмикання не більше 30 мА або пристрій захисту від струмів витоку на землю.

50. Дітям віком від 8 років, особам з обмеженими фізичними, сенсорними або розумовими здібностями та особам з недостатнім досвідом і знаннями дозволяється використовувати цей пристрій тільки за умови, що вони усвідомлюють потенційну небезпеку та діють під наглядом або керівництвом, що гарантує безпечне використання пристрою. Дітям не дозволяється виконувати чищення або проводити технічне обслуговування приладу без нагляду дорослих.

Остаточні ризики

Навіть за умови експлуатації цього пристрою з дотриманням всіх вимог безпеки не виключені травми та пошкодження. З урахуванням конструкції цього пристрою може виникнути вказана далі небезпека.

1. Погіршення самопочуття через вплив вібрації у разі тривалого використання пристрою, через неправильну експлуатацію або неналежний догляд за пристроєм.
2. Пошкодження майна та травми через несправне приладдя або непередбачуваний механічний вплив прихованих об'єктів під час використання.
3. Небезпека отримання травми та пошкодження майна через предмети, що відлітають.

⚠ ПОПЕРЕДЖЕННЯ: Під час роботи пристрій створює електромагнітне поле. За певних обставин це поле може створювати перешкоди в роботі активних або пасивних медичних імплантатів. Для зниження ризику отримання важкої або смертельної травми особам з медичними імплантатами рекомендується проконсультуватися з лікарем і виробником імплантату перед початком роботи з пристроєм.

ЗБЕРІГАЙТЕ ЦІ ВКАЗІВКИ.

⚠ ПОПЕРЕДЖЕННЯ: НІКОЛИ НЕ втрачайте пильності та не розслабляйтеся під час користування виробом (що можливо при частому користуванні); обов'язково строго дотримуйтеся відповідних правил безпеки.

НЕНАЛЕЖНЕ ВИКОРИСТАННЯ або недотримання правил техніки безпеки, викладених у цій інструкції з експлуатації, може призвести до серйозних травм.

ЗБОРКА

⚠ ОБЕРЕЖНО: Перед виконанням будь-яких робіт з інструментом обов'язково вимкніть його та відключіть від електромережі.

Монтаж рукоятки

1. Зніміть верхню рукоятку з корпусу машини.
▶ **Рис.1:** 1. Верхня рукоятка
2. Послабте накатні гайки.
▶ **Рис.2:** 1. Накатна гайка
3. Трохи розширте рукоятку, а потім підніміть її.
▶ **Рис.3:** 1. Рукоятка
4. Відрегулюйте висоту рукоятки, для чого зіставте стрілку з відповідною позначкою.
▶ **Рис.4:** 1. Накатна гайка 2. Позначка 3. Стрілка
5. Затягніть накатні гайки.
▶ **Рис.5:** 1. Накатна гайка
6. Закріпіть верхню рукоятку, вставивши важелі із зовнішнього боку основної рукоятки, після чого затягніть гайки гайковим ключем для надійної фіксації.
▶ **Рис.6:** 1. Важіль 2. Гайка
7. Зафіксуйте шнури в затисках, як показано на малюнку.
▶ **Рис.7:** 1. Затиск

Встановлення корзини для трави

1. Закріпіть трубки корзини для трави на рамі.
▶ **Рис.8:** 1. Труба 2. Рама
2. Відчиніть задню кришку.
▶ **Рис.9:** 1. Задня кришка
3. Підвісьте корзину для трави на гачки в задній частині машини.
▶ **Рис.10**

Щоб зняти корзину для трави, виконайте процедуру її встановлення у зворотному порядку.

Під'єднання подовжувального шнура

⚠ ПОПЕРЕДЖЕННЯ: У разі під'єднання роз'єму електроживлення машини до подовжувального шнура переконайтеся, що пусковий важіль відпущено, а шнур від'єднано від джерела живлення.

⚠ ПОПЕРЕДЖЕННЯ: Не під'єднуйте і не від'єднуйте подовжувальний шнур мокрими руками.

УВАГА: У разі під'єднання роз'єму електроживлення машини до подовжувального шнура вставте роз'єм у розетку до упору.

У разі під'єднання подовжувального шнура закріпіть його на гачку рукоятки, як показано на малюнку, щоб уникнути його від'єднання у випадку надмірного натягу шнура.
▶ **Рис.11:** 1. Гачок 2. Подовжувальний шнур

ОПИС РОБОТИ

Регулювання висоти скошування

▲ПОПЕРЕДЖЕННЯ: Перш ніж регулювати висоту скошування, від'єднайте подовжувальний шнур від джерела живлення і переконайтеся, що ріжучі полотна повністю зупинилися.

▲ПОПЕРЕДЖЕННЯ: Регулюючи висоту скошування, у жодному разі не розташуйте руку чи ногу під корпусом газонокосарки.

Висоту скошування можна регулювати в діапазоні від 20 мм до 55 мм (моделі ELM3320/ELM3720) або від 20 мм до 75 мм (модель ELM4120). Моделі ELM3320/ELM3720 мають 3-ступеневе, а модель ELM4120 — 7-ступеневе регулювання висоти скошування.

Моделі ELM3320/ELM3720

► Рис.12: 1. Важіль регулювання

Модель ELM4120

► Рис.13: 1. Важіль регулювання

Тримайте рукоятку однією рукою і пересувайте важіль регулювання іншою рукою.

► Рис.14: 1. Важіль регулювання

ПРИМІТКА: Зробіть пробне скошування трави в менш помітному місці, щоб налаштувати потрібну висоту.

Дія вимикача

▲ПОПЕРЕДЖЕННЯ: Перш ніж підключити інструмент до мережі, обов'язково переконайтеся, що пусковий важіль належним чином спрацює та повертається в положення вимкнення після відпускання.

▲ПОПЕРЕДЖЕННЯ: З міркувань безпеки машину обладнано кнопкою розблокування, що запобігає мимовільному запуску інструмента. Заборонено користуватися машиною, якщо вона вмикається одразу після затискання пускового важеля без натискання кнопки розблокування. Зверніться до місцевого сервісного центру компанії Makita для проведення ремонту.

▲ПОПЕРЕДЖЕННЯ: Заборонено відключати функцію блокування або намагатися зафіксувати кнопку розблокування у натисненому положенні за допомогою сторонніх предметів.

УВАГА: Не намагайтеся з силою притиснути пусковий важіль до рукоятки, якщо кнопку розблокування не натиснуто. Пусковий важіль може зламатися.

Щоб увімкнути машину, натисніть кнопку розблокування та затисніть пусковий важіль. Щоб зупинити машину, відпустіть пусковий важіль.

► Рис.15: 1. Пусковий важіль 2. Кнопка розблокування

Індикатор рівня заповнення корзини для трави

Індикатор рівня заповнення корзини для трави відзначається під час роботи, якщо корзина не заповнена. Коли корзина заповнюється, індикатор зачинається. Заповнену корзину перед початком роботи необхідно спорожнити.

► Рис.16: 1. Індикатор рівня

► Рис.17: 1. Індикатор рівня

Регулювання висоти рукоятки

Рукоятка має трьохступеневе регулювання висоти. Утримуючи рукоятку, послабте накатні гайки.

Відрегулюйте висоту рукоятки, зіставивши стрілку з однією з трьох позначок, потім затягніть гайки.

► Рис.18: 1. Накатна гайка 2. Позначка 3. Стрілка

Система захисту двигуна (реле максимального струмового захисту)

▲ПОПЕРЕДЖЕННЯ: Якщо машина раптово зупинилась під час роботи, відпустіть пусковий важіль і від'єднайте подовжувальний шнур від джерела живлення. Недотримання цієї вимоги може привести до отримання травм, якщо машина раптово знову запуститься.

▲ОБЕРЕЖНО: Перш ніж видалити сторонній предмет, що заблокував ріжуче полотно, одягніть рукавички і від'єднайте вилку подовжувального шнура від розетки електроживлення.

Коли скошена трава чи бруд застрягають всередині корпусу, система захисту двигуна (реле максимального струмового захисту) автоматично зупиняє машину. У цьому випадку від'єднайте вилку подовжувального шнура від розетки електроживлення, видаліть сторонні предмети, які блокують двигун, і дайте машині охолонути протягом кількох хвилин перед повторним увімкненням.

ПРИМІТКА: Реле максимального струмового захисту може спрацювати в разі потраплення всередину корпусу мокрої трави або трави із довгими стеблами.

РОБОТА

Косіння

▲ПОПЕРЕДЖЕННЯ: Перш ніж починати косити газон, приберіть з робочої ділянки гілки та каміння. Крім того, видаліть заздалегідь бур'ян із робочої ділянки.

► Рис.19

▲ПОПЕРЕДЖЕННЯ: Під час використання газонокосарки обов'язково користуйтеся захисними окулярами з боковими щитками.

⚠ОБЕРЕЖНО: Якщо скошена трава або сторонні предмети застрягли всередині корпусу газонокосарки, вимкніть машину і від'єднайте вилку подовжувального шнура від розетки електроживлення. Одягніть рукавички, щоб видалити траву або сторонні предмети.

⚠ОБЕРЕЖНО: Перш ніж користуватися машиною, обов'язково встановіть кошик для трави.

УВАГА: Використовуйте машину лише для косіння газонів. Не використовуйте її для косіння бур'янів.

Під час косіння міцно тримайте рукоятку обома руками.

► Рис.20

Рекомендована швидкість косіння становить приблизно один метр за чотири секунди.

► Рис.21

Почніть косіння на ділянці поряд із розеткою електроживлення і переконайтеся, що подовжувальний шнур не заважає роботі.

► Рис.22: 1. Розетка електроживлення
2. Подовжувальний шнур

Стежте за тим, щоб подовжувальний шнур не потрапив під машину і не заплутувався поблизу неї.

► Рис.23

► Рис.24

Лінії з обох боків корпусу показують ширину смуги скошування. Використовуйте їх як напрямні, косіть смугами. Щоб рівномірно підстригти газон, перекривайте косаркою половину або третину попередньої смуги.

► Рис.25: 1. Ширина скошування 2. Зона перекриття 3. Лінія

Змінійте напрям руху кожного разу, щоб уникнути пригнітання трави в одному напрямку.

► Рис.26

Періодично перевіряйте кількість скошеної трави в корзині. Спорожньої корзини для трави до того, як вона заповниться. Вимикайте машину перед кожною перевіркою.

ПРИМІТКА: Якщо використовувати газонокосарку із заповненою корзиною для трави, ріжуче полотно буде обертатися нерівномірно – це збільшує навантаження на двигун та може призвести до його виходу з ладу.

Косіння газону з високою травою

Не намагайтеся підрізати газон із високою травою за один прохід. Натомість косіть такий газон у кілька прийомів. Косіть газон з інтервалом в один або два дні, доки трава не набуде рівномірної довжини.

► Рис.27

ПРИМІТКА: Якщо скосити високу траву одразу дуже коротко, це може призвести до її відмирання. Крім того, зрізана трава може заблокувати зсередини корпус газонокосарки.

Косіння країв

Щоб скосити траву по краях газону, пересувайте газонокосарку вздовж краю.

► Рис.28

ТЕХНІЧНЕ ОБСЛУГОВУВАННЯ

⚠ПОПЕРЕДЖЕННЯ: Перед тим як провести технічне обслуговування, від'єднайте подовжувальний шнур від джерела живлення і переконайтеся, що ріжучі полотна повністю зупинилися.

⚠ОБЕРЕЖНО: Завжди вдягайте рукавички перед проведенням обслуговування.

Для забезпечення БЕЗПЕКИ та НАДІЙНОСТІ продукції, її ремонт, а також роботи з обслуговування або регулювання повинні виконуватись уповноваженими або заводськими сервісними центрами Makita із використанням запчастин виробництва компанії Makita.

Обслуговування після використання

Після використання витирайте машину сухою ганчіркою або серветкою, змоченою мильною водою. Для видалення обрізків трави і бруду з ріжучих полотен використовуйте м'яку щітку.

УВАГА: Ніколи не використовуйте газолін, бензин, розріджувач, спирт та подібні речовини. Їх використання може призвести до зміни кольору, деформації або появи тріщин.

Зберігання

1. Від'єднайте подовжувальний шнур.

► Рис.29: 1. Подовжувальний шнур

2. Відчиніть задню кришку і зніміть корзину для трави.

► Рис.30: 1. Задня кришка 2. Корзина для трави

3. Утримуючи рукоятку, послабте накатні гайки, потім тріхи розширте рукоятку й складіть її.

► Рис.31: 1. Накатна гайка 2. Рукоятка 3. Позначка 4. Стрілка

⚠ОБЕРЕЖНО: Будьте обережними, складаючи рукоятку, щоб не затиснути руки або пальці.

ПРИМІТКА: Переконайтеся, що стрілка розташована навпроти крайньої передньої позначки.

4. Затягніть накатні гайки.

► Рис.32: 1. Накатна гайка

5. Відкиньте важелі й помістіть на важіль трос.

► **Рис.33:** 1. Важіль 2. Трос

6. Поверніть важелі в проміжне положення, як показано на рисунку.

► **Рис.34:** 1. Важіль

7. Складіть рукоятку.

► **Рис.35:** 1. Рукоятка

8. Встановіть машину, як показано на малюнку.

► **Рис.36**

⚠ОБЕРЕЖНО: Цей пристрій повинен зберігатися в приміщенні на рівній поверхні. Недотримання цієї вимоги може призвести до травм у разі падіння машини.

Машину можна також зберігати описаним нижче чином.

1. Від'єднайте подовжувальний шнур.

► **Рис.37:** 1. Подовжувальний шнур

2. Відчиніть задню кришку і зніміть корзину для трави.

► **Рис.38:** 1. Задня кришка 2. Корзина для трави

3. Налаштуйте висоту скошування за допомогою важеля регулювання.

Модель ELM3320/ELM3720:

Установіть висоту скошування «1».

► **Рис.39:** 1. Важіль регулювання

Модель ELM4120:

Установіть висоту скошування «2».

► **Рис.40:** 1. Важіль регулювання

4. Утримуючи рукоятку, послабте накатні гайки, потім трохи розширте рукоятку й складіть її.

► **Рис.41:** 1. Накатна гайка 2. Рукоятка 3. Позначка 4. Стрілка

⚠ОБЕРЕЖНО: Будьте обережними, складаючи рукоятку, щоб не затиснути руки або пальці.

ПРИМІТКА: Переконайтеся, що стрілка розташована навпроти крайньої передньої позначки.

5. Затягніть накатні гайки.

► **Рис.42:** 1. Накатна гайка

6. Встановіть машину, як показано на малюнку.

► **Рис.43**

⚠ОБЕРЕЖНО: Цей пристрій повинен зберігатися в приміщенні на рівній поверхні. Недотримання цієї вимоги може призвести до травм у разі падіння машини.

Газонокосарку можна також зберігати зі складеною верхньою рукояткою.

⚠ОБЕРЕЖНО: Перед тим, як відкинути важелі, міцно візьміться за верхню рукоятку. Недотримання цієї вимоги може призвести до травм у разі падіння рукоятки.

1. Утримуючи верхню рукоятку, відкиньте важелі.

► **Рис.44:** 1. Важіль

2. Складіть верхню рукоятку.

► **Рис.45:** 1. Верхня рукоятка

Заміна ріжучого полотна газонокосарки

⚠ОБЕРЕЖНО: Для заміни ріжучого полотна газонокосарки використовуйте тільки стандартний шестигранний ключ. Використання іншого ключа може призвести до надмірного або недостатнього затягування полотна, що може спричинити травми.

1. Від'єднайте подовжувальний шнур і встановіть машину вертикально. (Див. інструкції зі зберігання.)

2. Вставте штифт в отвір, тримайте рукоятку однією рукою та послабте болт, повертаючи його гайковим ключем проти годинникової стрілки.

► **Рис.46:** 1. Полотно 2. Ключ 3. Штифт

3. Зніміть ріжуче полотно газонокосарки.

Модель ELM3320

Послідовно зніміть болт, шайбу, ріжуче полотно газонокосарки й скобу.

► **Рис.47:** 1. Скоба 2. Ріжуче полотно газонокосарки 3. Шайба 4. Болт

Модель ELM3720/ELM4120

Послідовно зніміть болт, шайбу, ріжуче полотно газонокосарки, скобу й проміжну вставку газонокосарки.

► **Рис.48:** 1. Проміжна вставка 2. Скоба 3. Ріжуче полотно газонокосарки 4. Шайба 5. Болт

4. Встановіть нове ріжуче полотно газонокосарки, потім вставте штифт в отвір і тримайте рукоятку однією рукою, затягуючи болт іншою рукою за годинниковою стрілкою за допомогою гайкового ключа.

► **Рис.49:** 1. Ріжуче полотно газонокосарки 2. Ключ 3. Штифт

Подовжувальний шнур

Використовуйте лише подовжувальні шнури з ПВХ-або гумовою ізоляцією і перерізом не менше 1,5 мм², призначені для експлуатації на відкритому повітрі за звичайних навантажень.

Перед використанням та у процесі роботи перевіряйте шнур живлення і подовжувальний шнур на наявність пошкоджень. Не використовуйте пристрій, якщо шнур живлення пошкоджений або зношений. Стежте за тим, щоб подовжувальний шнур не опинявся поруч з ріжучими елементами. У разі пошкодження шнура під час роботи терміново від'єднайте його від джерела живлення. Не торкайтеся шнура, доки він не буде від'єднаний від джерела живлення.

ДОДАТКОВЕ ПРИЛАДДЯ

⚠ ОБЕРЕЖНО: Це додаткове та допоміжне обладнання рекомендовано використовувати з інструментом Makita, зазначеним у цій інструкції з експлуатації. Використання будь-якого іншого додаткового та допоміжного обладнання може становити небезпеку травмування. Використовуйте додаткове та допоміжне обладнання лише за призначенням.

У разі необхідності отримати допомогу в більш детальному ознайомленні з оснащенням звертайтеся до місцевого сервісного центру Makita.

- Ріжуче полотно газонкосарки

ПРИМІТКА: Деякі елементи списку можуть входити до комплекту інструмента як стандартне приладдя. Вони можуть відрізнятися залежно від країни.

ТЕХНИЧЕСКИЕ ХАРАКТЕРИСТИКИ

Модель:		ELM3320	ELM3720	ELM4120
Число оборотов без нагрузки		3 400 мин ⁻¹		
Высота скашивания		20 мм – 55 мм		20 мм – 75 мм
Ширина скашивания		330 мм	370 мм	410 мм
Сменное лезвие газонокосилки, номер детали		YA00000731	YA00000732	YA00000733
Размеры (Д x Ш x В)	В рабочем положении (с установленной корзиной для травы)	Д: от 1 040 мм до 1 230 мм Ш: 380 мм В: от 870 мм до 1 110 мм	Д: от 1 140 мм до 1 330 мм Ш: 415 мм В: от 890 мм до 1 120 мм	Д: от 1 255 мм до 1 470 мм Ш: 460 мм В: от 955 мм до 1 230 мм
	В положении для хранения (без корзины для травы)	350 мм x 380 мм x 1 090 мм	335 мм x 415 мм x 1 090 мм	395 мм x 460 мм x 1 220 мм
Масса нетто		10,2 кг	11,6 кг	14,5 кг
Класс безопасности		II		

- Благодаря нашей постоянно действующей программе исследований и разработок указанные здесь технические характеристики могут быть изменены без предварительного уведомления.
- Технические характеристики могут различаться в зависимости от страны.
- Масса может отличаться в зависимости от дополнительного оборудования. В таблице представлены комбинации с наибольшей и наименьшей массой в соответствии с процедурой ЕРТА 01/2014.

Символы

Ниже приведены символы, используемые для обозначения. Перед использованием убедитесь, что вы понимаете их значение.



Обратите особое внимание. Прочитайте руководство по эксплуатации.



ДВОЙНАЯ ИЗОЛЯЦИЯ



Опасность! Возможен разлет твердых предметов. Расстояние от инструмента до находящихся поблизости людей должно быть не менее 15 м.



Подождите, пока все движущиеся детали машины остановятся, прежде чем прикасаться к ним.



Следите, чтобы гибкий шнур питания не оказывался рядом с вращающимися лезвиями.



Соблюдайте осторожность при работе с острыми лезвиями. После выключения электродвигателя лезвия продолжают вращаться. Перед проведением обслуживания и при повреждении шнура питания отключите машину от источника питания.



Уровень шума машины не превышает 96 дБ.



Следите, чтобы ваши руки и ноги не оказывались в зоне действия газонокосилки. Не включайте газонокосилку, если защитные элементы и насадки не установлены должным образом.



Только для стран ЕС
Не выбрасывайте электрическое оборудование вместе с обычным мусором! В рамках соблюдения Европейской Директивы по утилизации электрического и электронного оборудования и ее применения в соответствии с национальным законодательством, электрооборудование в конце срока своей службы должно утилизироваться отдельно и передаваться для утилизации на предприятие, соответствующее применяемым правилам охраны окружающей среды.

Назначение

Газонокосилка предназначена для стрижки газонов. Запрещается использовать ее для других целей. Использование машины не по назначению может привести к опасным ситуациям.

Источник питания

Данный инструмент должен подключаться к источнику питания с напряжением, соответствующим напряжению, указанному на идентификационной пластине, и может работать только от однофазного источника переменного тока. Он имеет двойную изоляцию и поэтому может подключаться к розеткам без заземления. Во избежание угрозы безопасности, в случае повреждения шнура питания его необходимо заменить в мастерской изготовителя.

Для низковольтных систем общего пользования напряжением от 220 до 250 В.

Включение электрического устройства приводит к колебаниям напряжения. Использование данного устройства в неблагоприятных условиях электропитания может оказывать негативное влияние на работу другого оборудования. Если полное сопротивление в сети питания не превышает 0,425 Ом (для ELM3720) или 0,427 Ом (для ELM4120), можно исходить из того, что инструмент не будет оказывать негативного влияния. Сетевая розетка, используемая для данного инструмента, должна быть защищена предохранителем или прерывателем цепи с медленным размыканием.

Шум

Применимый стандарт : EN60335

Модель	Уровень звукового давления		Уровень звуковой мощности	
	L _{PA} (дБ(A))	Погрешность, К (дБ(A))	L _{WA} (дБ(A))	Погрешность, К (дБ(A))
ELM3320	83	3	94	2
ELM3720	83	3	94	1
ELM4120	84	3	93	2

ПРИМЕЧАНИЕ: Заявленное значение распространения шума измерено в соответствии со стандартной методикой испытаний и может быть использовано для сравнения инструментов.

ПРИМЕЧАНИЕ: Заявленное значение распространения шума можно также использовать для предварительных оценок воздействия.

⚠ОСТОРОЖНО: Используйте средства защиты слуха.

⚠ОСТОРОЖНО: Распространение шума во время фактического использования электроинструмента может отличаться от заявленного значения в зависимости от способа применения инструмента и в особенности от типа обрабатываемой детали.

⚠ОСТОРОЖНО: Обязательно определите меры безопасности для защиты оператора, основанные на оценке воздействия в реальных условиях использования (с учетом всех этапов рабочего цикла, таких как выключение инструмента, работа без нагрузки и включение).

Вибрация

Суммарное значение вибрации (сумма векторов по трем осям), определенное в соответствии с EN60335:

Модель ELM3320

Распространение вибрации (a_h): 2,5 м/с² или менее
Погрешность (К): 1,5 м/с²

Модель ELM3720

Распространение вибрации (a_h): 2,5 м/с² или менее
Погрешность (К): 1,5 м/с²

Модель ELM4120

Распространение вибрации (a_h): 2,5 м/с² или менее
Погрешность (К): 1,5 м/с²

ПРИМЕЧАНИЕ: Заявленное общее значение распространения вибрации измерено в соответствии со стандартной методикой испытаний и может быть использовано для сравнения инструментов.

ПРИМЕЧАНИЕ: Заявленное общее значение распространения вибрации можно также использовать для предварительных оценок воздействия.

⚠ОСТОРОЖНО: Распространение вибрации во время фактического использования электроинструмента может отличаться от заявленного значения в зависимости от способа применения инструмента и в особенности от типа обрабатываемой детали.

⚠ОСТОРОЖНО: Обязательно определите меры безопасности для защиты оператора, основанные на оценке воздействия в реальных условиях использования (с учетом всех этапов рабочего цикла, таких как выключение инструмента, работа без нагрузки и включение).

Декларация о соответствии ЕС

Только для европейских стран

Декларация о соответствии ЕС включена в руководство по эксплуатации (Приложение А).

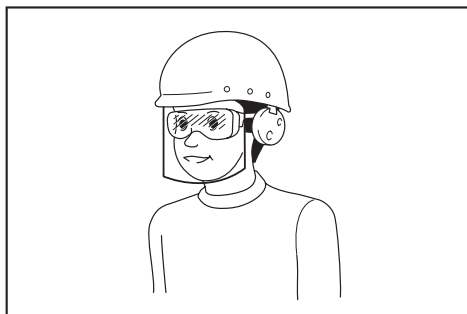
МЕРЫ БЕЗОПАСНОСТИ

ВАЖНЫЕ ИНСТРУКЦИИ ПО ТЕХНИКЕ БЕЗОПАСНОСТИ

▲ОСТОРОЖНО: Ознакомьтесь со всеми инструкциями и рекомендациями по технике безопасности. Невыполнение инструкций и рекомендаций может привести к поражению электротоком, пожару и/или тяжелым травмам.

Сохраните брошюру с инструкциями и рекомендациями для дальнейшего использования.

1. Не позволяйте маленьким детям использовать газонокосилку в качестве игрушки.
2. Не разрешайте детям и лицам, не знакомым с данными инструкциями, пользоваться газонокосилкой. В местном законодательстве могут существовать возрастные ограничения для пользования этим устройством.
3. Запрещается эксплуатировать газонокосилку, если поблизости находятся люди (в особенности дети) или животные.
4. Помните, что оператор/пользователь несет ответственность за происшествия и опасные ситуации с другими людьми или их собственностью.
5. На время эксплуатации газонокосилки обязательно надевайте прочную обувь и длинные брюки. Не работайте с газонокосилкой босиком или в открытых сандалиях. Не следует надевать свободную одежду или украшения, а также одежду со свисающими лентами и шнурами. Их может затянуть движущимися деталями.
6. Во время работы с электроинструментом всегда надевайте защитные очки. Очки должны соответствовать ANSI Z87.1 для США, EN 166 для Европы, или AS/NZS 1336 для Австралии и Новой Зеландии. В Австралии и Новой Зеландии оператор также обязан носить защитную маску.



Ответственность за использование средств защиты операторами и другим персоналом вблизи рабочей зоны возлагается на работодателя.

7. Перед использованием устройства осмотрите шнур питания и убедитесь в отсутствии признаков повреждений или старения. При повреждении шнура питания во время работы немедленно отсоедините его от источника питания. Не прикасайтесь к шнуру питания, пока он не будет отключен от источника питания. Не используйте газонокосилку, если шнур питания поврежден или изношен.
8. Используйте устройство только в дневное время или при хорошем искусственном освещении.
9. Не рекомендуется использовать газонокосилку на мокрой траве.
10. Запрещается использовать газонокосилку во время дождя.
11. Постоянно надежно удерживайте рукоятку.
12. Соблюдайте осторожность на склонах.
13. Передвигайтесь шагом, не бегите.
14. Поднимая или удерживая косилку, не беритесь за открытые лезвия или режущие кромки.
15. Физическое состояние: не эксплуатируйте газонокосилку, находясь под действием наркотиков, алкоголя или лекарств.
16. Не приближайте руки и ноги к вращающимся лезвиям. Внимание: лезвия продолжают вращаться после отключения газонокосилки.
17. Пользуйтесь только оригинальными лезвиями производителя, указанными в данном руководстве.
18. Перед эксплуатацией тщательно осмотрите лезвия и убедитесь в отсутствии трещин или повреждений. Немедленно замените треснувшее или поврежденное лезвие.
19. Перед началом работы убедитесь, что поблизости никого нет. Если кто-либо приблизился, выключите газонокосилку.
20. Перед началом работы очистите площадку от посторонних предметов (камней, проволоки, бутылок, костей и больших палок), чтобы не допустить травм или повреждения газонокосилки.
21. Немедленно прекратите выполнение операции, если заметите какие-либо сбои. Выключите газонокосилку и отсоедините шнур питания от источника питания. Затем осмотрите газонокосилку.
22. Запрещается регулировать высоту колес на работающей газонокосилке.
23. Отпустите рычажный выключатель и дождитесь остановки лезвия, прежде чем переходить улицы, пешеходные дорожки, дороги и любые области с гравийным покрытием. Отсоединяйте шнур питания от источника питания, если оставляете газонокосилку, нагибаетесь, чтобы подобрать или убрать что-либо с дороги, или по любой другой причине, которая может отвлечь вас от работы.

24. Предметы, отброшенные лезвием газонокосилки, могут нанести тяжелые травмы. Перед началом работы необходимо тщательно осмотреть газон и очистить его от всех предметов.
25. Если газонокосилка ударилась о посторонний предмет, выполните следующее:
 - выключите газонокосилку, отпустите рычажный выключатель и дождитесь полной остановки лезвия;
 - отсоедините шнур от источника питания;
 - внимательно осмотрите газонокосилку на предмет повреждений;
 - замените лезвие, если оно повреждено. Устраните повреждения, прежде чем перезапустить газонокосилку и возобновлять работу.
26. Чаще проверяйте корзину для травы на предмет износа или повреждений. Помещая устройство на хранение, обязательно очистите корзину для травы. Для обеспечения безопасности замените изношенную корзину для травы на новую.
27. Соблюдайте особую осторожность, перемещая газонокосилку задним ходом или подтягивая ее к себе.
28. Обязательно остановите лезвие(я), если машину необходимо наклонить для транспортировки по поверхности, отличной от травы, либо при транспортировке машины к месту эксплуатации и обратно.
29. Запрещается использовать машину с неисправными ограждениями и экранами или без защитных приспособлений, например дефлекторов или корзины для сбора травы.
30. Осторожно включайте газонокосилку в соответствии с инструкциями, ноги при этом должны находиться как можно дальше от лезвий.
31. Не наклоняйте машину при включении двигателя, кроме случаев, когда ее необходимо наклонять для пуска. В этом случае наклоняйте ее на минимальный возможный угол и поднимайте только дальнюю от оператора часть. При опускании устройства на землю всегда крепко держите рукоятку обеими руками.
32. Не включайте двигатель, если перед разгрузочным отверстием.
33. Не помещайте руки или ноги под вращающиеся детали или вблизи них. Никогда не становитесь перед разгрузочным отверстием.
34. Не транспортируйте включенную газонокосилку.
35. Остановите газонокосилку и извлеките вилку из розетки. Убедитесь, что все движущиеся части полностью остановились, если
 - оставляете газонокосилку без надзора;
 - планируете устранять засоры и удалять предметы, закупорившие желоб;
 - собираетесь проверять, очищать оборудование или выполнять его обслуживание;
 - оборудование ударилось о посторонний предмет. Перед запуском осмотрите машину на предмет повреждений и устраните неисправность.
36. Если начинается непредусмотренная вибрация машины (необходима срочная проверка):
 - осмотрите на предмет повреждений;
 - замените или отремонтируйте поврежденные детали;
 - проверьте на предмет ослабленных деталей и подтяните их.
37. Соблюдайте осторожность при регулировке газонокосилки, чтобы не допустить заземления пальцев между движущимися лезвиями и неподвижными деталями машины.
38. Выполняйте стрижку газонов поперек склона, а не вниз-вверх. Соблюдайте особую осторожность, меняя направление движения на склоне. Не выполняйте стрижку чересчур крутых склонов.
39. Не мойте машину из шланга; не допускайте попадания воды в двигатель и на электрические разъемы.
40. Чаще проверяйте надежность затяжки болта крепления лезвия.
41. Все гайки, болты и винты должны быть надежно затянуты — это обеспечит безопасность и работоспособность.
42. Соблюдайте осторожность: одно вращающееся лезвие может привести в движение другие лезвия.
43. Перед постановкой на хранение дайте газонокосилке остыть.
44. При обслуживании лезвий следует помнить, что они могут двигаться даже при отключенном питании.
45. Чтобы обеспечить безопасность, заменяйте изношенные и поврежденные детали. Используйте только оригинальные сменные части и приспособления.
46. Сервисное обслуживание электроинструмента должно проводиться только квалифицированным специалистом по ремонту и только с использованием идентичных запасных частей. Это позволит обеспечить безопасность электроинструмента.
47. Следуйте инструкциям по смазке и замене принадлежностей.
48. Ручки инструмента всегда должны быть сухими и чистыми, без следов масла или смазки.
49. Убедитесь, что напряжение и частота источника питания совпадают с техническими характеристиками, указанными на идентификационной табличке машины. Мы рекомендуем использовать дифференциальный автоматический выключатель (прерыватель, срабатывающий при замыкании на землю) с током расцепления не более 30 мА или устройство защиты от токов утечки на землю.
50. Дети старше 8 лет, лица с ограниченными физическими, сенсорными или умственными способностями и лица, не имеющие надлежащего опыта и знаний, могут использовать это устройство только при условии, что они осознают возможные опасности и действуют под надзором или руководством, обеспечивающим безопасное использование устройства. Детям запрещается проводить чистку и обслуживание без контроля со стороны взрослых.

Остаточные риски

Даже при условии эксплуатации этого устройства с соблюдением всех требований безопасности не исключены травмы и повреждения. Ввиду конструкции этого устройства могут возникнуть указанные далее опасности.

1. Ухудшение самочувствия в результате воздействия вибрации при длительном использовании устройства, неправильной эксплуатации или при ненадлежащем уходе за устройством.
2. Повреждение имущества и травмы из-за поломки приспособлений или непредвиденного механического воздействия скрытых объектов во время использования.
3. Опасность получения травмы и повреждения имущества из-за отлетающих предметов.

⚠ОСТОРОЖНО: Во время работы устройство создает электромагнитное поле. При определенных обстоятельствах это поле может создавать помехи в работе активных или пассивных медицинских имплантатов. Для снижения риска получения тяжелой или смертельной травмы лицам с медицинскими имплантатами рекомендуется проконсультироваться с врачом и производителем имплантата перед началом работы с устройством.

СОХРАНИТЕ ДАННЫЕ ИНСТРУКЦИИ.

⚠ОСТОРОЖНО: НЕ ДОПУСКАЙТЕ, чтобы удобство или опыт эксплуатации данного устройства (полученный от многократного использования) доминировали над строгим соблюдением правил техники безопасности при обращении с этим устройством.

НЕПРАВИЛЬНОЕ ИСПОЛЬЗОВАНИЕ инструмента или несоблюдение правил техники безопасности, указанных в данном руководстве, может привести к тяжелой травме.

СБОРКА

⚠ВНИМАНИЕ: Перед проведением каких-либо работ с инструментом обязательно проверяйте, что инструмент выключен, а шнур питания вынут из розетки.

Монтаж рукоятки

1. Снимите верхнюю рукоятку с корпуса машины.
▶ **Рис.1:** 1. Верхняя рукоятка
2. Ослабьте накатные гайки.
▶ **Рис.2:** 1. Накатная гайка
3. Немного расширьте рукоятку и поднимите ее.
▶ **Рис.3:** 1. Рукоятка
4. Отрегулируйте высоту рукоятки, сопоставив стрелку с соответствующей меткой.
▶ **Рис.4:** 1. Накатная гайка 2. Метка 3. Стрелка

5. Затяните накатные гайки.

▶ **Рис.5:** 1. Накатная гайка

6. Закрепите верхнюю рукоятку, вставив рычаги с наружной стороны основной рукоятки, и затяните гайки гаечным ключом для надежной фиксации.

▶ **Рис.6:** 1. Рычаг 2. Гайка

7. Зафиксируйте шнуры зажимами, как показано на рисунке.

▶ **Рис.7:** 1. Зажим

Установка корзины для травы

1. Закрепите трубки корзины для травы на раме.

▶ **Рис.8:** 1. Трубка 2. Рама

2. Откройте заднюю крышку.

▶ **Рис.9:** 1. Задняя крышка

3. Подвесьте корзину для травы на выступы в задней части машины.

▶ **Рис.10**

Чтобы снять корзину для травы, выполните процедуру установки в обратном порядке.

Подключение удлинительного шнура

⚠ОСТОРОЖНО: При подключении машины через удлинительный шнур убедитесь, что рычажный выключатель опущен, а шнур отключен от источника питания.

⚠ОСТОРОЖНО: Не подключайте и не отключайте удлинительный шнур мокрыми руками.

ПРИМЕЧАНИЕ: При подключении машины через удлинительный шнур вставьте вилку машины в гнездо удлинительного шнура до упора.

При подключении машины через удлинительный шнур закрепите его на крючке рукоятки, как показано на рисунке, во избежание его отсоединения при сильном натяжении шнура.

▶ **Рис.11:** 1. Крючок 2. Удлинительный шнур

ОПИСАНИЕ РАБОТЫ

Регулировка высоты скашивания

▲ОСТОРОЖНО: Перед установкой высоты скашивания отсоедините удлинительный шнур от источника питания и убедитесь, что лезвия полностью остановились.

▲ОСТОРОЖНО: При регулировке высоты скашивания не подсовывайте руку или ногу под газонокосилку.

Высоту скашивания можно регулировать в диапазоне от 20 мм до 55 мм (для ELM3320/ELM3720) или от 20 мм до 75 мм (для ELM4120). Модели ELM3320/ELM3720 имеют 3-ступенчатую, а модель ELM4120 — 7-ступенчатую регулировку высоты скашивания.

Модели ELM3320/ELM3720

► Рис.12: 1. Рычаг регулировки

Модель ELM4120

► Рис.13: 1. Рычаг регулировки

Возьмитесь одной рукой за рукоятку, затем перемещайте рычаг регулировки второй рукой.

► Рис.14: 1. Рычаг регулировки

ПРИМЕЧАНИЕ: Чтобы добиться желаемой высоты, выполните пробное скашивание на не слишком заметном участке газона.

Действие выключателя

▲ОСТОРОЖНО: Перед включением инструмента в розетку обязательно убедитесь, что рычажный выключатель работает надлежащим образом и возвращается в положение “ВЫКЛ.”, если его отпустить.

▲ОСТОРОЖНО: Для обеспечения вашей безопасности газонокосилка оборудована кнопкой разблокировки, которая предотвращает ее непреднамеренное включение. Запрещается использовать устройство, если оно включается сразу при зажимании рычажного выключателя без нажатия кнопки разблокировки. Обратитесь в местный сервисный центр Makita для ремонта.

▲ОСТОРОЖНО: Запрещается отключать функцию блокировки или фиксировать кнопку разблокировки в нажатом положении с помощью посторонних предметов.

ПРИМЕЧАНИЕ: Не пытайтесь прижать рычажный выключатель к рукоятке, применяя силу, не нажав кнопку разблокировки. Выключатель может сломаться.

Чтобы запустить машину, нажмите кнопку разблокировки, а затем зажмите рычажный выключатель. Для включения машины отпустите рычажный выключатель.

► Рис.15: 1. Рычажный выключатель 2. Кнопка разблокировки

Индикатор уровня заполнения корзины для травы

Индикатор уровня заполнения корзины для травы открыт во время работы, если корзина не заполнена. Когда корзина полностью заполняется травой, индикатор закрывается. Заполненную корзину перед началом работы необходимо опорожнить.

► Рис.16: 1. Индикатор уровня заполнения

► Рис.17: 1. Индикатор уровня заполнения

Регулировка высоты рукоятки

Рукоятка имеет трехступенчатую регулировку высоты. Удерживая рукоятку, ослабьте накатные гайки, отрегулируйте высоту рукоятки, сопоставив стрелку с одной из трех меток, после чего затяните гайки.

► Рис.18: 1. Накатная гайка 2. Метка 3. Стрелка

Система защиты электродвигателя (реле максимальной токовой защиты)

▲ОСТОРОЖНО: При внезапной остановке устройства во время работы отпустите рычажный выключатель и отсоедините удлинительный шнур. Несоблюдение данного требования может привести к получению травм при внезапном запуске машины.

▲ВНИМАНИЕ: Прежде чем удалить посторонний предмет, заблокировавший лезвие, наденьте перчатки и отсоедините вилку удлинительного шнура от силовой розетки.

Если скошенная трава или грязь застревают внутри корпуса, система защиты двигателя (реле максимальной токовой защиты) автоматически останавливает машину. В этом случае отсоедините вилку удлинительного шнура от силовой розетки, удалите посторонние предметы, заклинившие двигатель, и дайте машине остыть в течение нескольких минут перед повторным включением.

ПРИМЕЧАНИЕ: Реле максимальной токовой защиты может сработать при попадании внутрь корпуса мокрой или длинной травы.

ЭКСПЛУАТАЦИЯ

Скашивание

▲ОСТОРОЖНО: Перед скашиванием уберите с газона ветки и камни. Кроме того, заблаговременно очистите газон от сорняков.

► Рис.19

▲ОСТОРОЖНО: При использовании газонокосилки обязательно надевайте защитные очки с боковыми щитками.

⚠ВНИМАНИЕ: При застревании скошенной травы или посторонних предметов внутри корпуса газонокосилки отключите питание и отсоедините вилку удлинительного шнура от сетевой розетки. Наденьте перчатки, чтобы извлечь траву или посторонний предмет.

⚠ВНИМАНИЕ: Перед использованием машины обязательно установите корзину для травы.

ПРИМЕЧАНИЕ: Используйте машину только для стрижки газонов. Не используйте ее для скашивания сорняков.

Во время работы крепко удерживайте рукоятку обеими руками.

► Рис.20

Рекомендованная скорость кошения должна составлять приблизительно один метр в четыре секунды.

► Рис.21

Начните работу недалеко от силовой розетки и удостоверьтесь, что удлинительный шнур не мешает движению.

► Рис.22: 1. Силовая розетка 2. Удлинительный шнур

Следите, чтобы удлинительный шнур не попал под машину и не спутывался в зоне ее работы.

► Рис.23

► Рис.24

Линии с обеих сторон корпуса показывают ширину скашиваемой полосы. Используйте их в качестве направляющих, косите полосами. Чтобы равномерно подстричь газон, захватывайте половину или третью часть предыдущей полосы.

► Рис.25: 1. Ширина скашивания 2. Зона захвата 3. Линия

Каждый раз меняйте направление движения, чтобы избежать пригибания травы в одном направлении.

► Рис.26

Периодически проверяйте степень заполнения корзины для травы. Опорожните корзину, прежде чем она заполнится полностью. Перед каждой проверкой выключайте газонокосилку.

ПРИМЕЧАНИЕ: Эксплуатация газонокосилки с заполненной корзиной для травы мешает плавному вращению лезвия и оказывает дополнительную нагрузку на двигатель, что может привести к поломке.

Скашивание высокой травы

Не старайтесь скосить длинную траву за один заход. Вместо этого выполняйте работу в несколько этапов. Стригите газон с интервалом в один или два дня до тех пор, пока он не станет ровным.

► Рис.27

ПРИМЕЧАНИЕ: Скашивание высокой травы за один проход может стать причиной ее засыхания. Скошенная трава также может застрять в корпусе косилки.

Стрижка краев

При стрижке краев газона двигайте газонокосилку параллельно краю.

► Рис.28

ОБСЛУЖИВАНИЕ

⚠ОСТОРОЖНО: Перед проведением обслуживания отсоедините вилку удлинительного шнура от силовой розетки и убедитесь, что лезвия полностью остановились.

⚠ВНИМАНИЕ: Всегда надевайте перчатки перед проведением обслуживания.

Для обеспечения БЕЗОПАСНОСТИ и НАДЕЖНОСТИ оборудования ремонт, любое другое техобслуживание или регулировку необходимо производить в уполномоченных сервис-центрах Makita или сервис-центрах предприятия с использованием только сменных частей производства Makita.

Обслуживание после использования

После работы вытрите машину сухой тряпкой или салфеткой, смоченной мыльной водой. Для удаления обрезков травы и грязи с поверхности лезвий используйте мягкую щетку.

ПРИМЕЧАНИЕ: Запрещается использовать бензин, растворители, спирт и другие подобные жидкости. Это может привести к обесцвечиванию, деформации и трещинам.

Хранение

1. Отсоедините удлинительный шнур.

► Рис.29: 1. Удлинительный шнур

2. Откройте заднюю крышку и снимите корзину для травы.

► Рис.30: 1. Задняя крышка 2. Корзина для травы

3. Удерживая рукоятку, ослабьте накатные гайки, затем немного расширьте рукоятку и сложите ее.

► Рис.31: 1. Накатная гайка 2. Рукоятка 3. Метка 4. Стрелка

⚠ВНИМАНИЕ: Складывая рукоятку, соблюдайте осторожность, чтобы не защемить руки или пальцы.

ПРИМЕЧАНИЕ: Убедитесь, что стрелка расположена напротив крайней передней метки.

4. Затяните накатные гайки.

► Рис.32: 1. Накатная гайка

5. Откиньте рычаги и поместите шнур над рычагом.

► Рис.33: 1. Рычаг 2. Шнур

6. Верните рычаги в промежуточное положение, как показано на рисунке.

► **Рис.34:** 1. Рычаг

7. Сложите рукоятку.

► **Рис.35:** 1. Рукоятка

8. Установите газонокосилку, как показано на рисунке.

► **Рис.36**

▲ВНИМАНИЕ: Это устройство должно храниться в помещении на ровной поверхности. Несоблюдение данного требования может привести к получению травм при падении машины.

Машину можно хранить и следующим образом.

1. Отсоедините удлинительный шнур.

► **Рис.37:** 1. Удлинительный шнур

2. Откройте заднюю крышку и снимите корзину для травы.

► **Рис.38:** 1. Задняя крышка 2. Корзина для травы

3. Настройте высоту скашивания с помощью рычага регулировки.

Модели ELM3320/ELM3720:

Установите высоту скашивания "1".

► **Рис.39:** 1. Рычаг регулировки

Модель ELM4120:

Установите высоту скашивания "2".

► **Рис.40:** 1. Рычаг регулировки

4. Удерживая рукоятку, ослабьте накатные гайки, затем немного расширьте рукоятку и сложите ее.

► **Рис.41:** 1. Накатная гайка 2. Рукоятка 3. Метка 4. Стрелка

▲ВНИМАНИЕ: Складывая рукоятку, соблюдайте осторожность, чтобы не защемить руки или пальцы.

ПРИМЕЧАНИЕ: Убедитесь, что стрелка расположена напротив крайней передней метки.

5. Затяните накатные гайки.

► **Рис.42:** 1. Накатная гайка

6. Установите газонокосилку, как показано на рисунке.

► **Рис.43**

▲ВНИМАНИЕ: Это устройство должно храниться в помещении на ровной поверхности. Несоблюдение данного требования может привести к получению травм при падении машины.

Газонокосилку можно хранить и со сложенной верхней рукояткой.

▲ВНИМАНИЕ: Перед тем, как откинуть рычаги, крепко возьмитесь за верхнюю рукоятку. Несоблюдение данного требования может привести к получению травм при падении рукоятки.

1. Удерживая верхнюю рукоятку, откиньте рычаги.

► **Рис.44:** 1. Рычаг

2. Сложите верхнюю рукоятку.

► **Рис.45:** 1. Верхняя рукоятка

Замена лезвия газонокосилки

▲ВНИМАНИЕ: Для замены лезвия газонокосилки используйте только стандартный торцевой гаечный ключ. Использование другого гаечного ключа может привести к чрезмерному или недостаточному затягиванию лезвия, что может стать причиной получения травм.

1. Отсоедините удлинительный шнур и установите машину вертикально. (См. инструкции по хранению.)

2. Вставьте штифт в отверстие, держите рукоятку одной рукой и ослабьте болт, поворачивая его гаечным ключом против часовой стрелки.

► **Рис.46:** 1. Лезвие 2. Гаечный ключ 3. Штифт

3. Снимите лезвие газонокосилки.

Модель ELM3320

Вытащите последовательно болт, шайбу, лезвие газонокосилки и скобу.

► **Рис.47:** 1. Скоба 2. Лезвие газонокосилки 3. Шайба 4. Болт

Модели ELM3720/ELM4120

Вытащите последовательно болт, шайбу, лезвие газонокосилки, скобу и проставку.

► **Рис.48:** 1. Проставка 2. Скоба 3. Лезвие газонокосилки 4. Шайба 5. Болт

4. Установите новое лезвие газонокосилки, вставьте штифт в отверстие и держите рукоятку одной рукой, затягивая болт другой рукой по часовой стрелке с помощью гаечного ключа.

► **Рис.49:** 1. Лезвие газонокосилки 2. Гаечный ключ 3. Штифт

Удлинительный шнур

Используйте только удлинительные шнуры с изоляцией из ПВХ или резины сечением не менее 1,5 мм², предназначенные для эксплуатации на открытом воздухе при обычных нагрузках.

Перед использованием проверьте шнур питания и удлинительный шнур на наличие повреждений.

Проводите такие проверки периодически. Не используйте устройство, если шнур питания поврежден или изношен. Следите, чтобы удлинительный шнур не оказывался рядом с режущими элементами. При повреждении шнура во время работы немедленно отсоедините его от источника питания. Не прикасайтесь к шнуру питания, пока он не будет отключен от источника питания.

ДОПОЛНИТЕЛЬНЫЕ ПРИНАДЛЕЖНОСТИ

⚠ВНИМАНИЕ: Данные принадлежности или приспособления рекомендуются для использования с инструментом Makita, указанным в настоящем руководстве. Использование других принадлежностей или приспособлений может привести к получению травмы. Используйте принадлежность или приспособление только по указанному назначению.

Если вам необходимо содействие в получении дополнительной информации по этим принадлежностям, свяжитесь с вашим сервис-центром Makita.

- Лезвие газонокосилки

ПРИМЕЧАНИЕ: Некоторые элементы списка могут входить в комплект инструмента в качестве стандартных приспособлений. Они могут отличаться в зависимости от страны.

Makita Europe N.V. Jan-Baptist Vinkstraat 2,
3070 Kortenberg, Belgium

Makita Corporation 3-11-8, Sumiyoshi-cho,
Anjo, Aichi 446-8502 Japan

www.makita.com

ELM3320-
29L(CE)-1707
EN, FR, DE, IT, NL,
ES, PT, DA, EL,
TR, SV, NO, FI, LV,
LT, ET, PL, HU, SK,
CS, SL, SQ, BG,
HR, MK, SR, RO,
UK, RU
20180928