

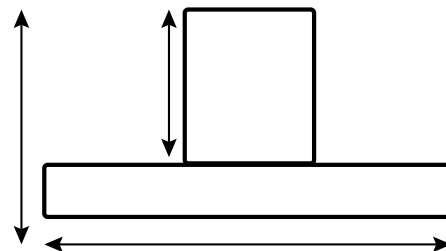
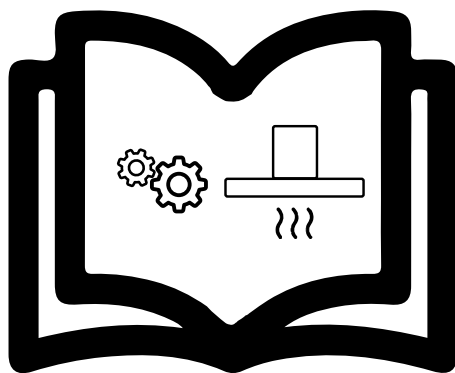
LE MANS KIT



YDERLIGERE INFORMATION

Mer informasjon ■ Mer information ■ Lisätietoja

Más información ■ Further Information



THERMEX SCANDINAVIA A/S



www.thermex.dk



THERMEX SCANDINAVIA S.L.U.



www.thermex.es



THERMEX SCANDINAVIA AS



www.thermex.no



THERMEX SCANDINAVIA A/S



www.thermex.fi

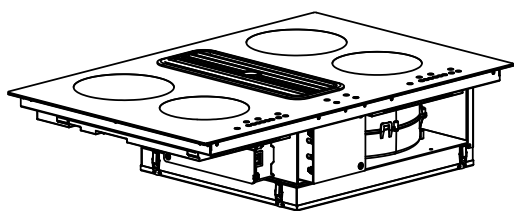


THERMEX SCANDINAVIA AB

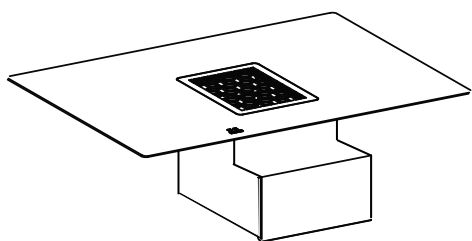
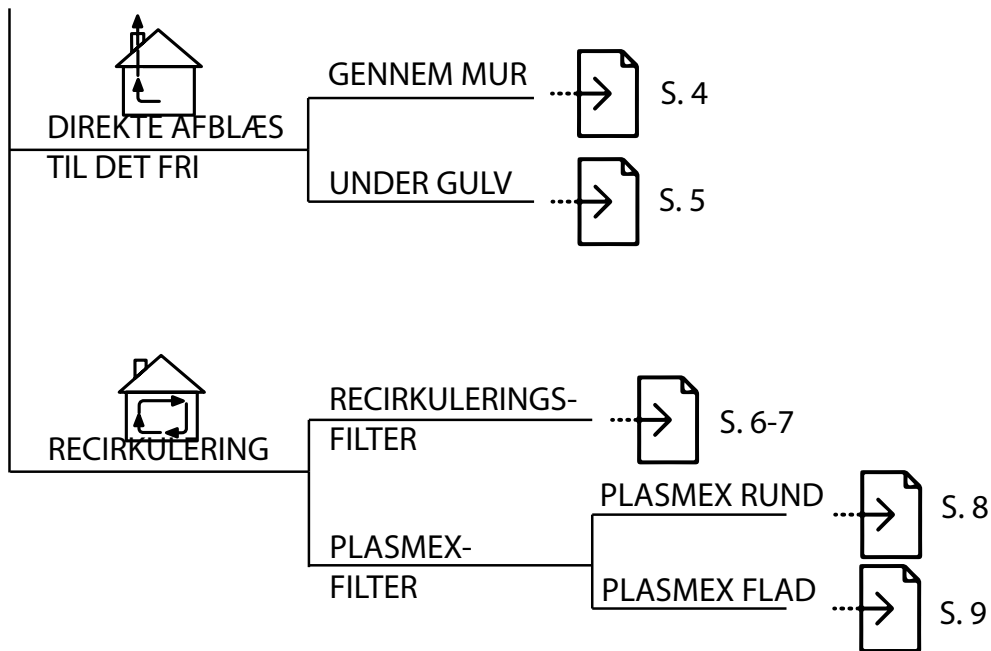


www.thermex.se

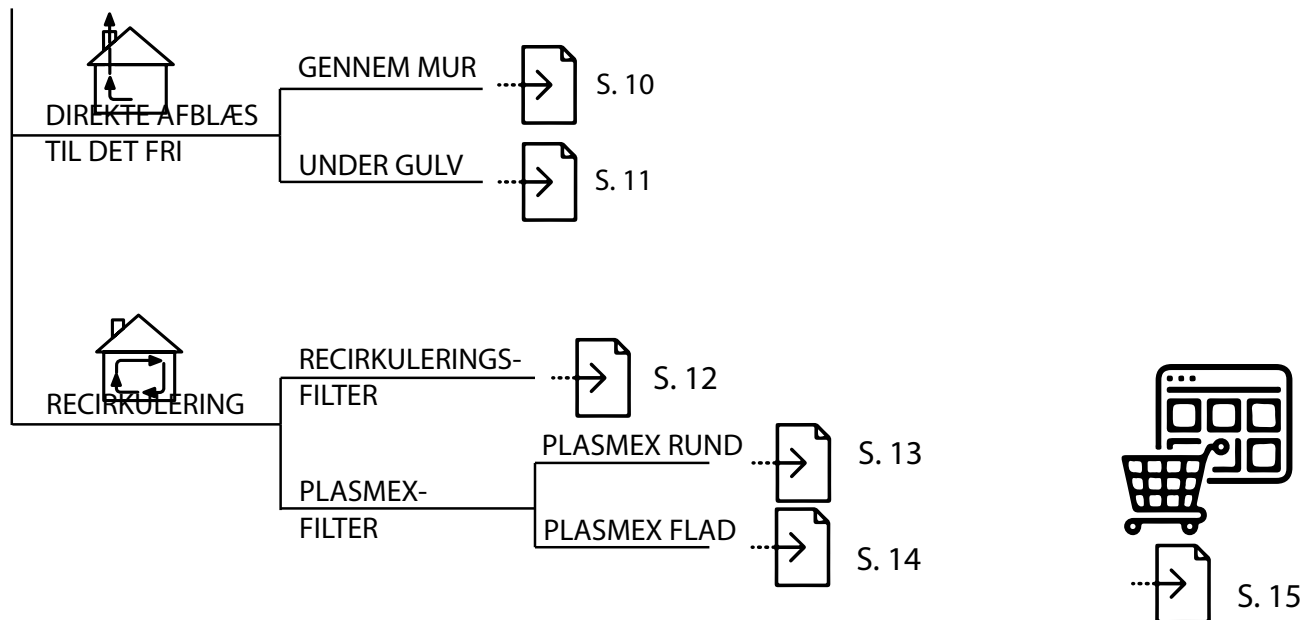




LE MANS TYPHOON

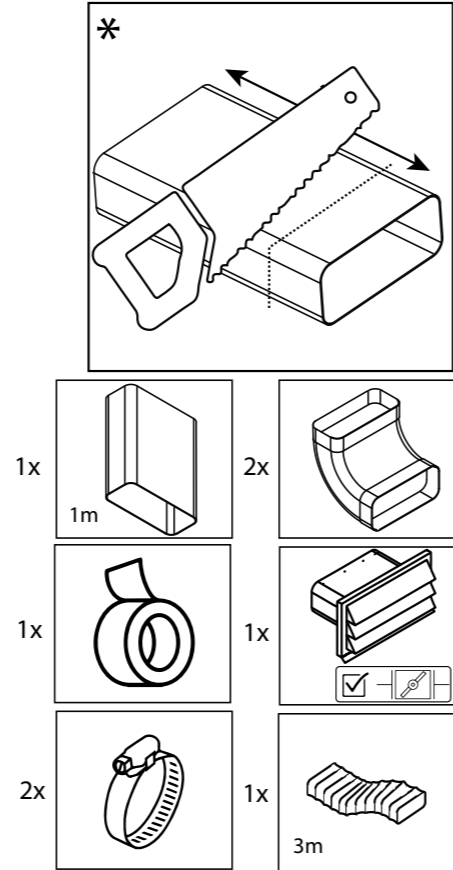
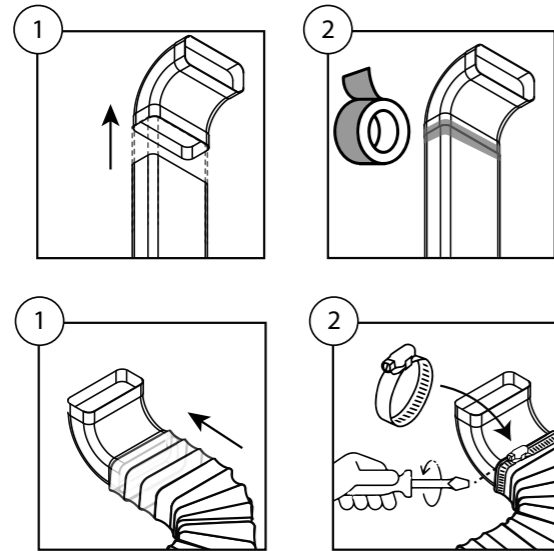
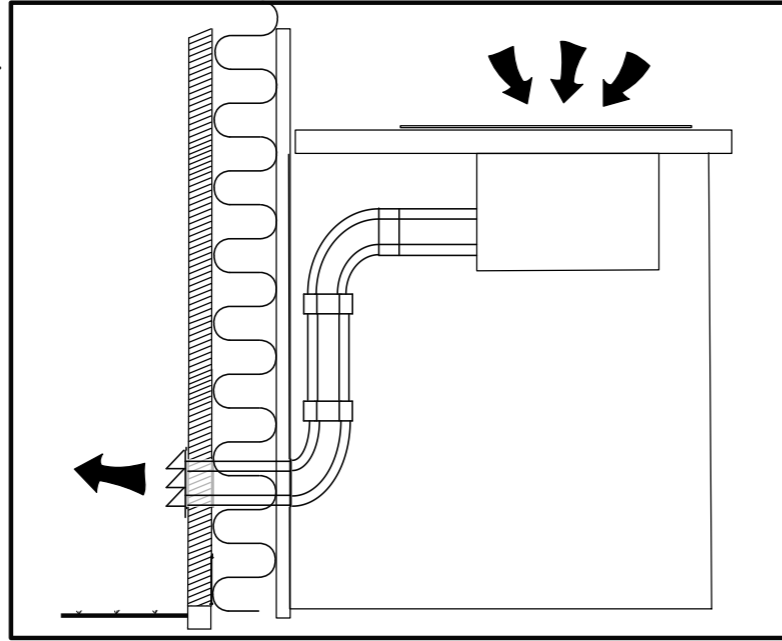
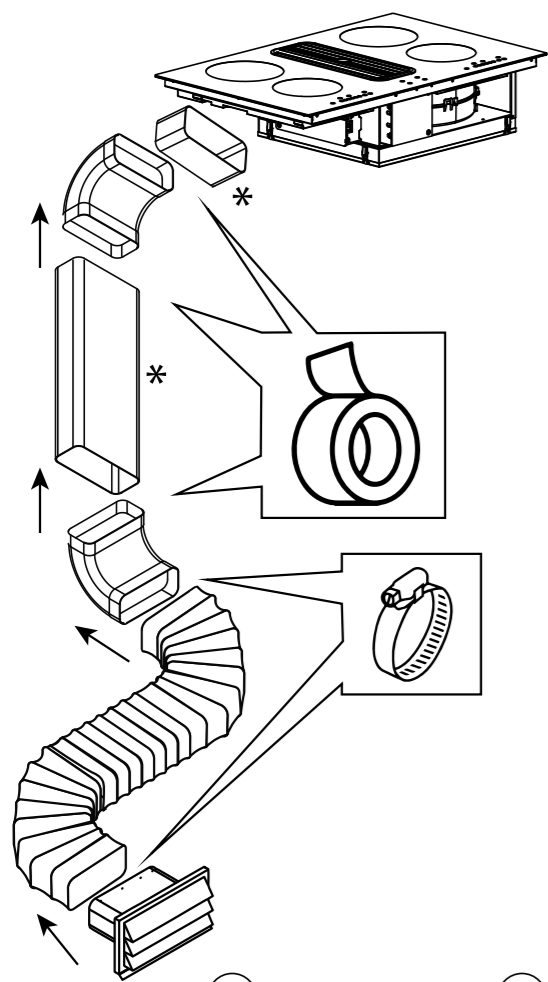


LE MANS CYCLONE



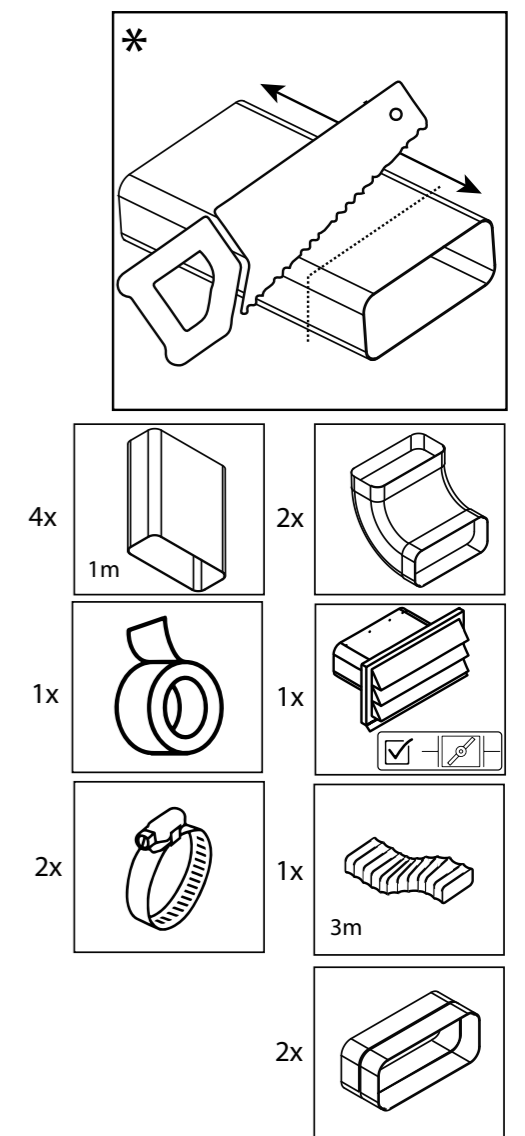
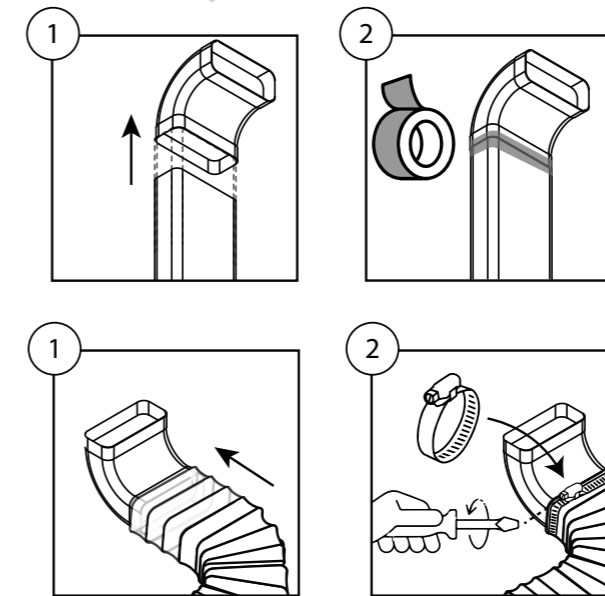
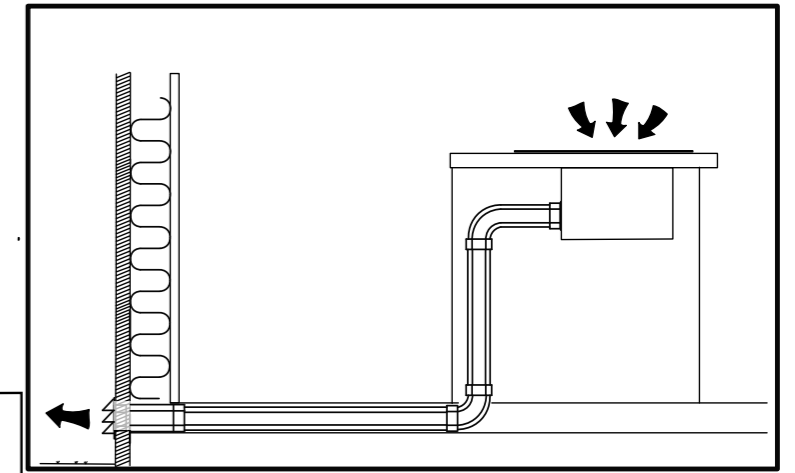
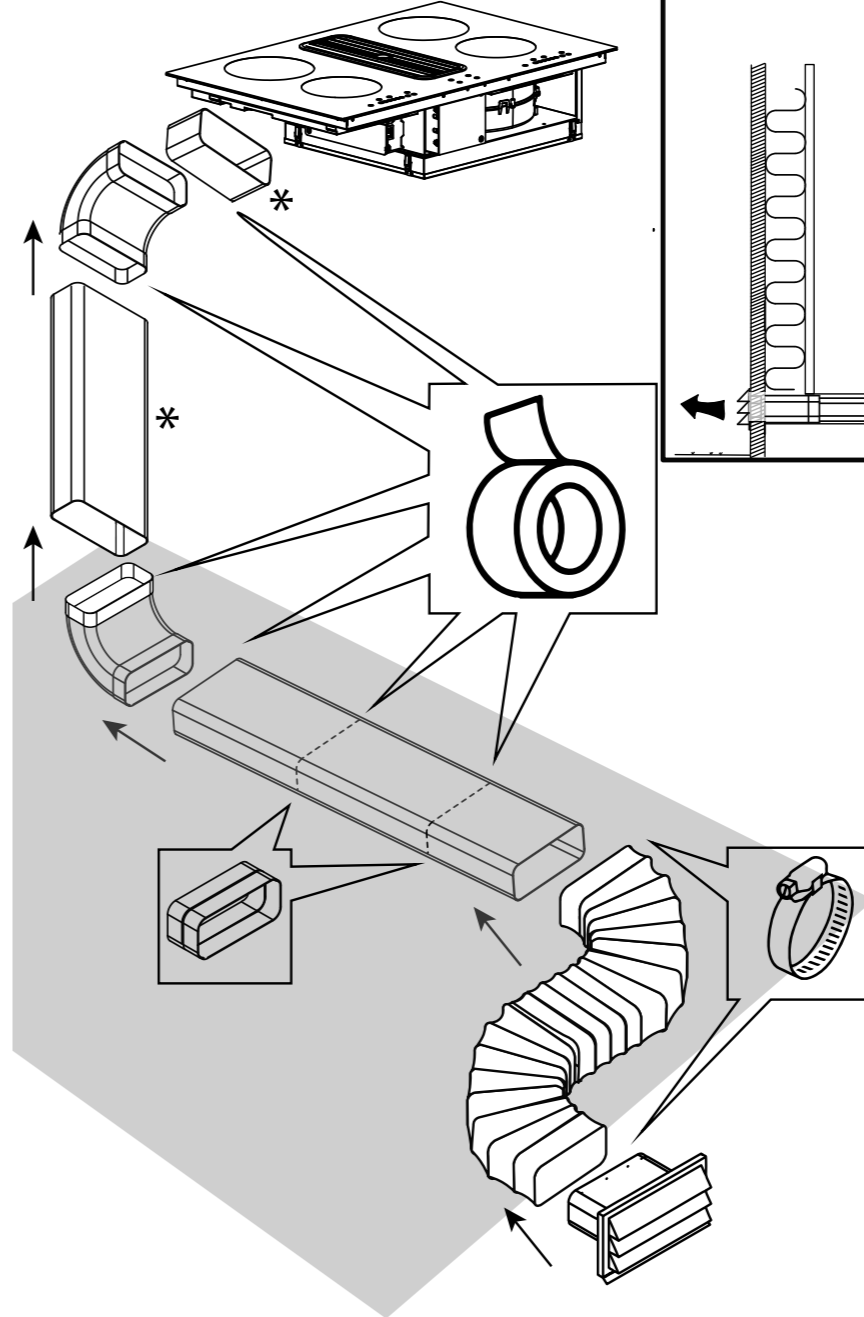
TYPHOON KIT - DIREKTE UDBLÆSNING

Kit varenr. 535.21.1250.9



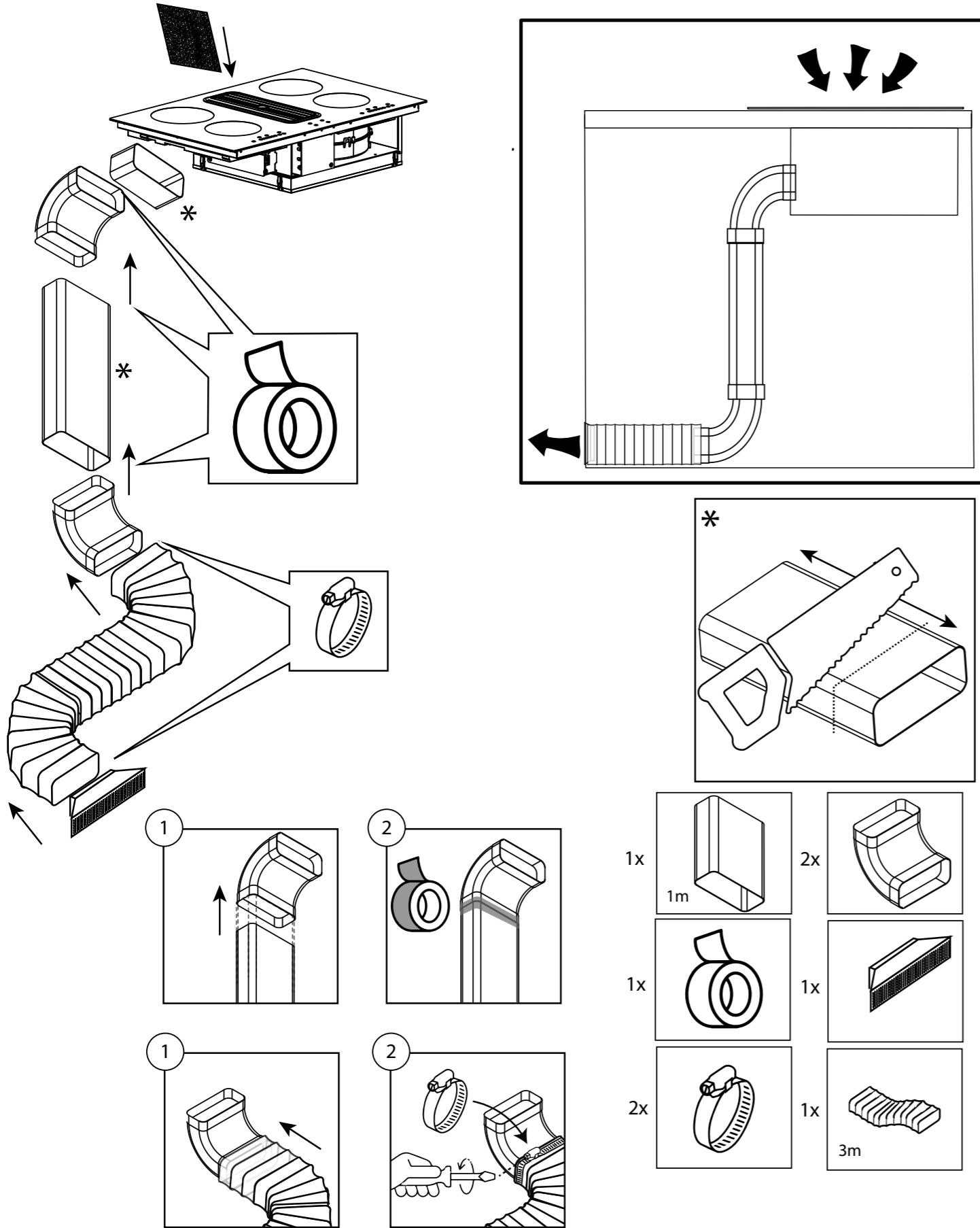
TYPHOON KIT - DIREKT UDBLÆSNING UNDER GULV

Kit varenr. 535.21.1260.9



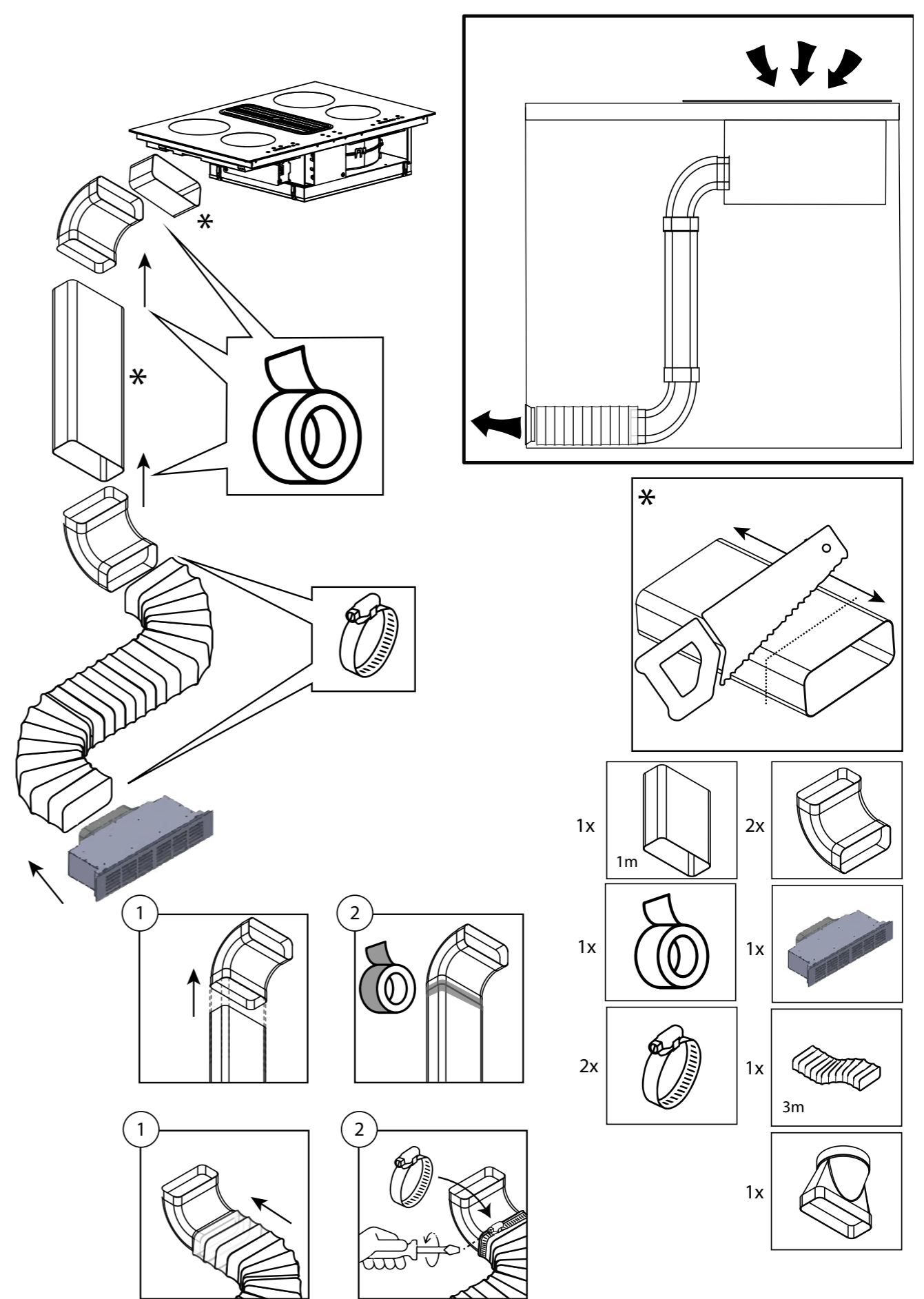
TYPHOON KIT - ALM. RECIRKULERING

Kit varenr. 535.21.1200.9



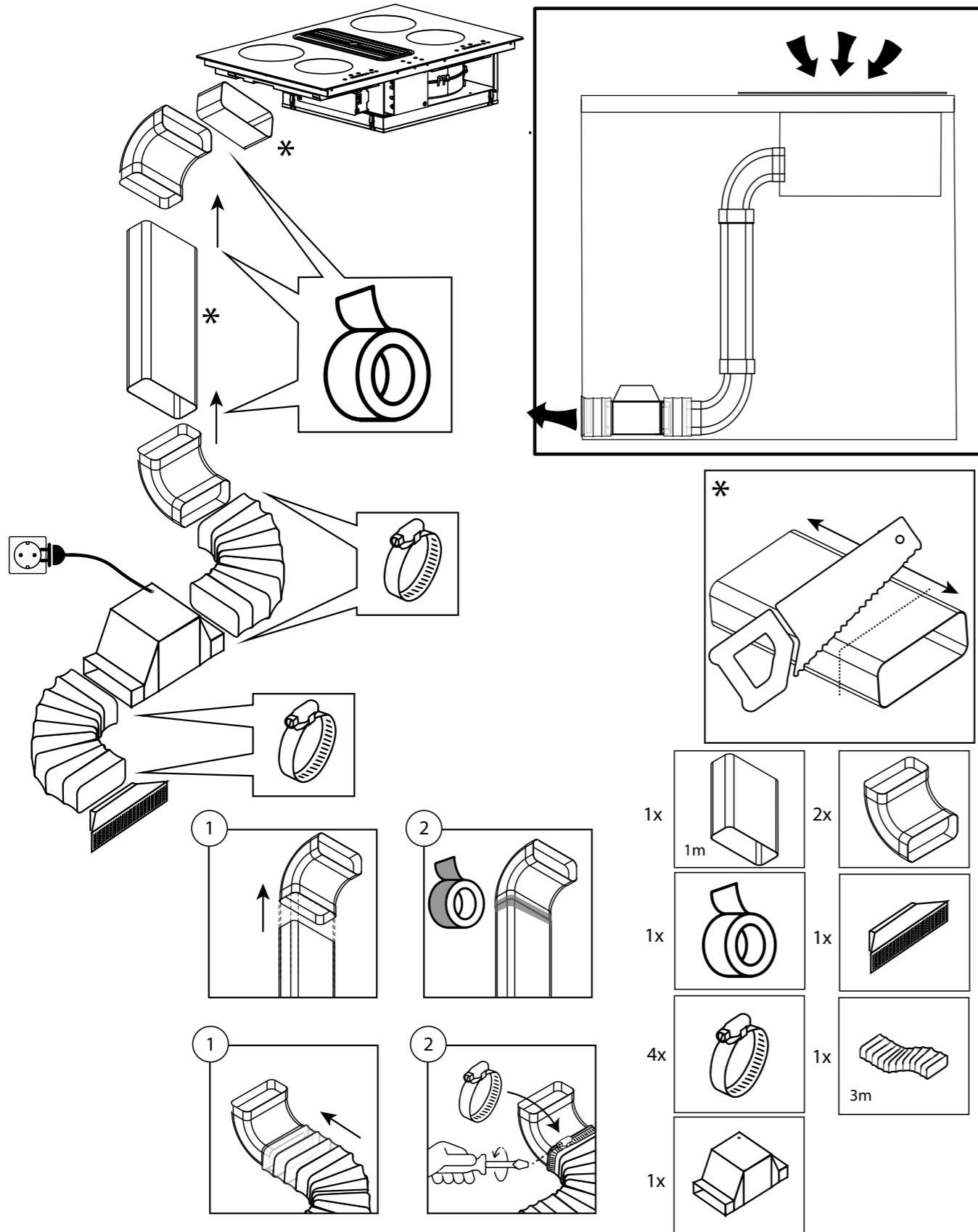
TYPHOON KIT - RECIRKULERING, KIT 4

Kit varenr. 535.21.1280.9



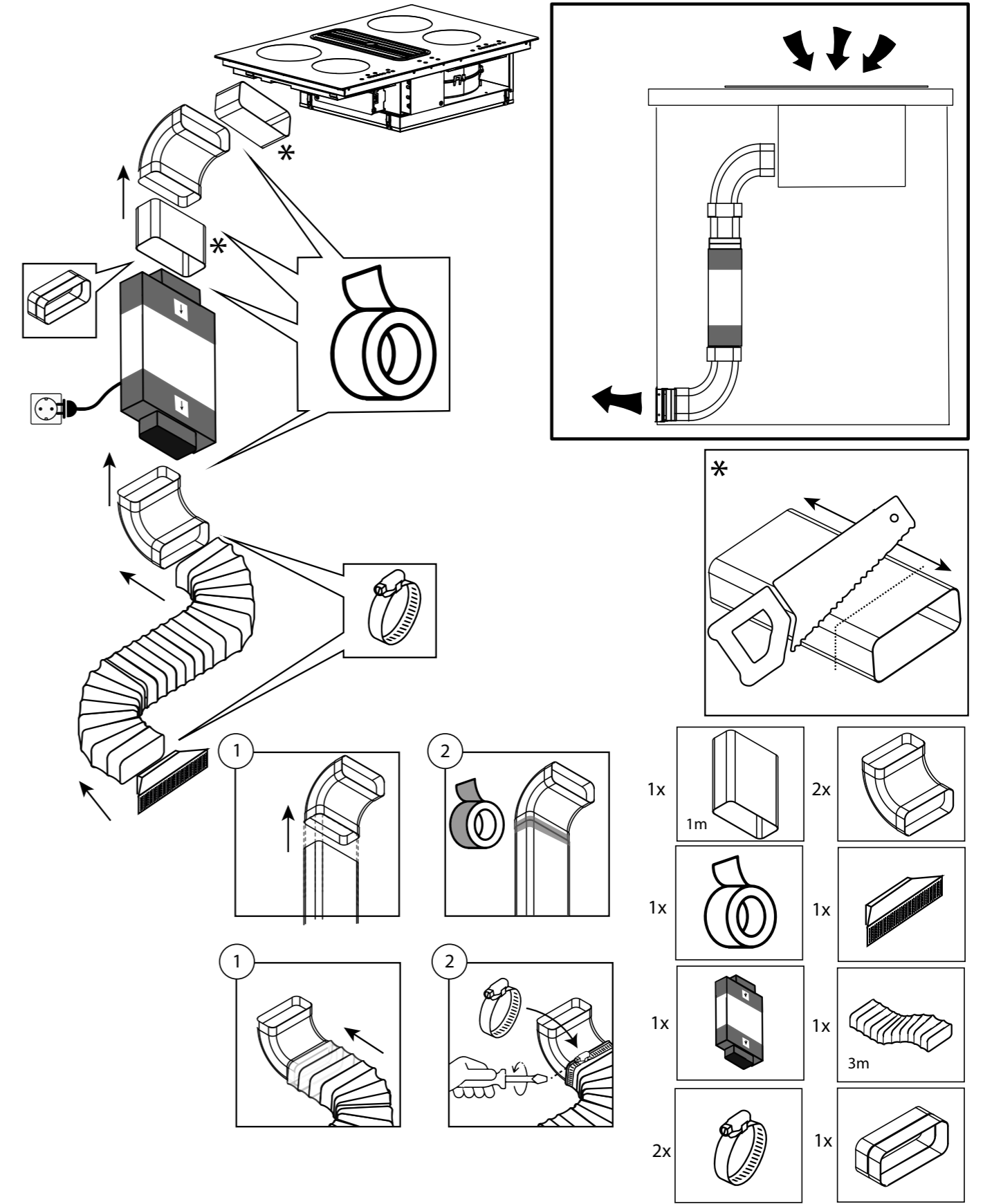
TYPHOON KIT - PLASMEX RUND

Kit varenr. 536.99.1800.9



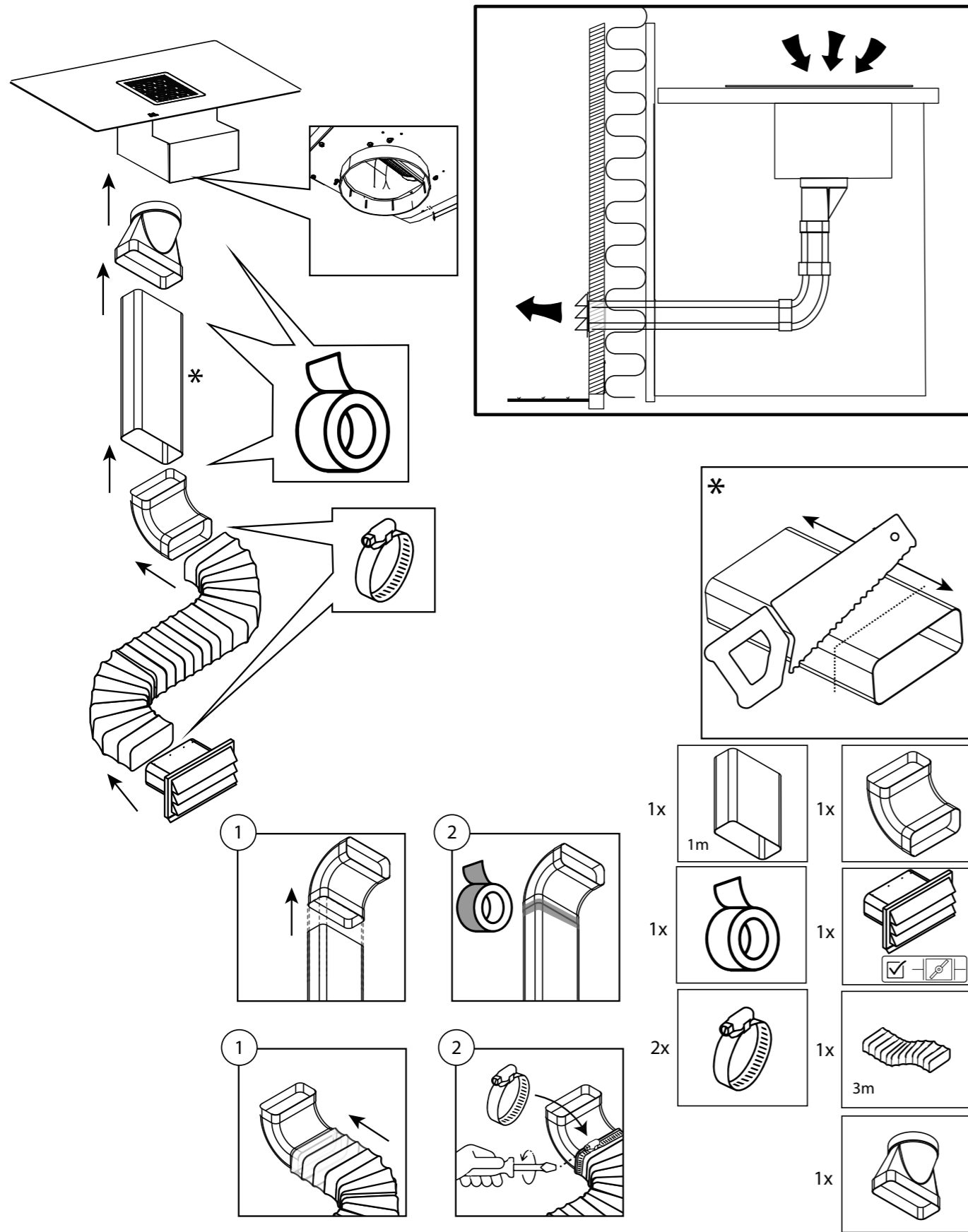
TYPHOON KIT - PLASMEX FLAD

Kit varenr. 536.99.1801.9



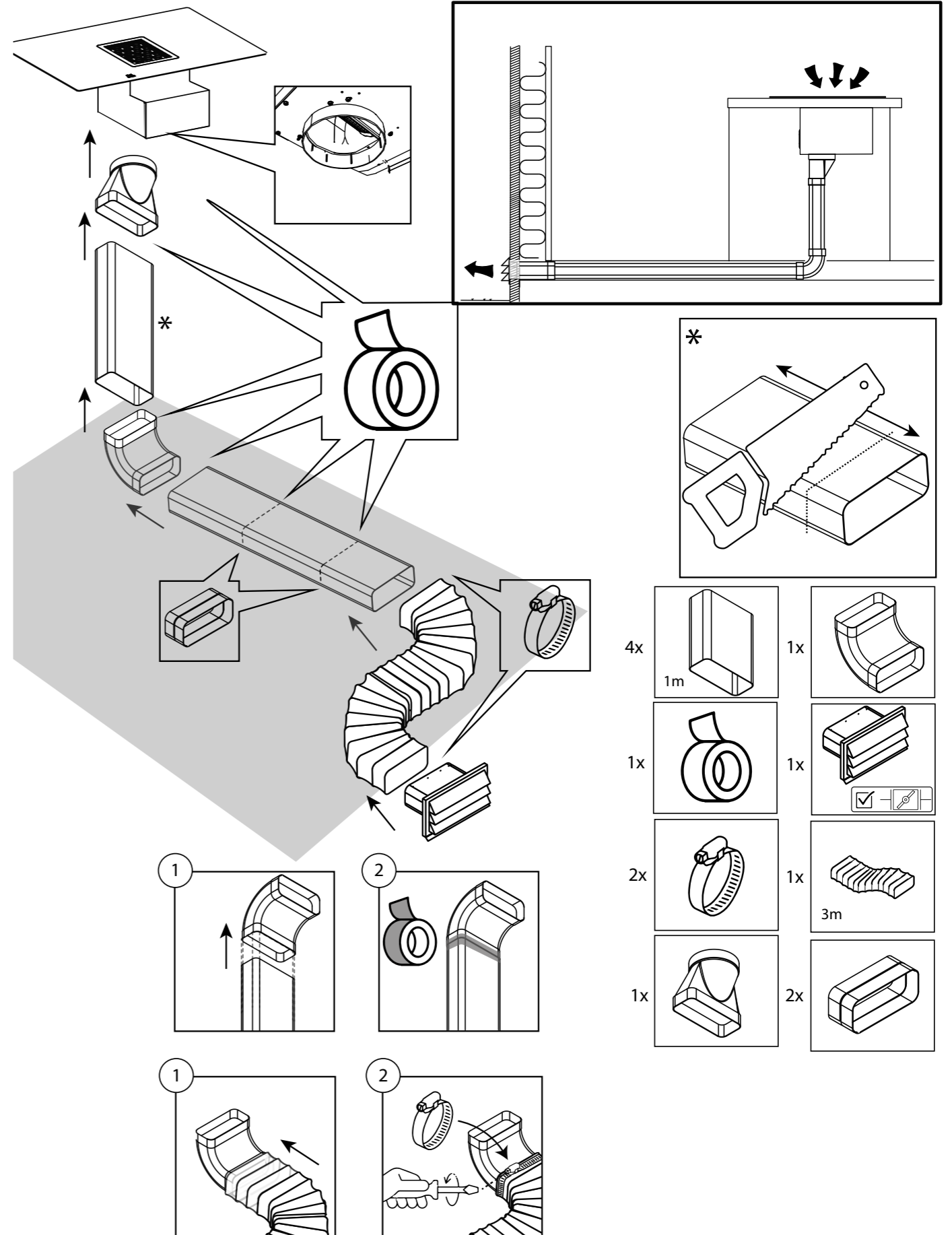
CYCLONE KIT - DIREKTE UDBLÆSNING

Kit varenr. 535.23.1250.9



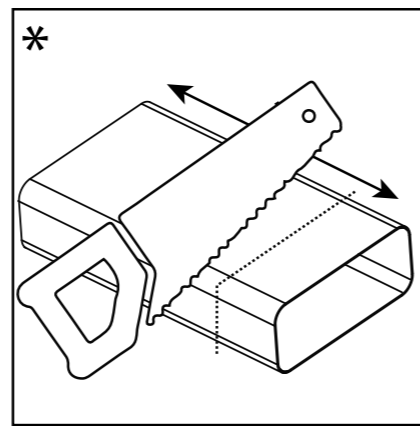
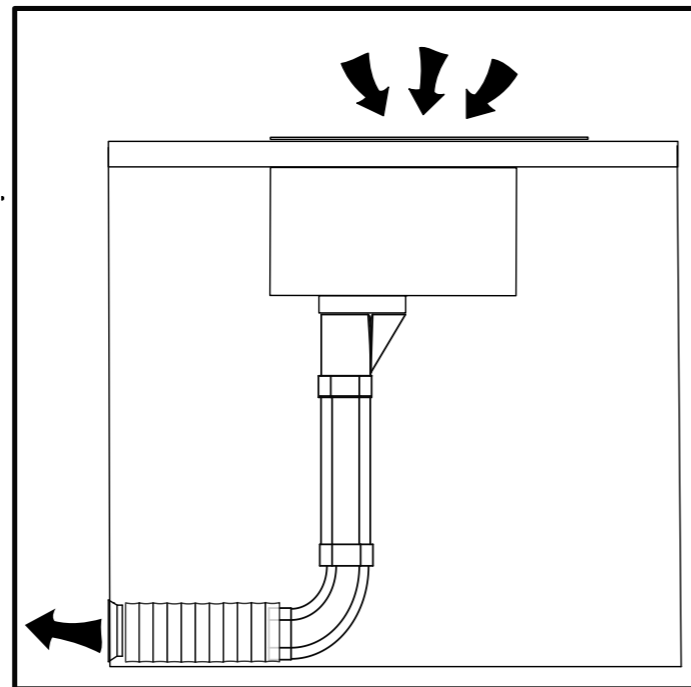
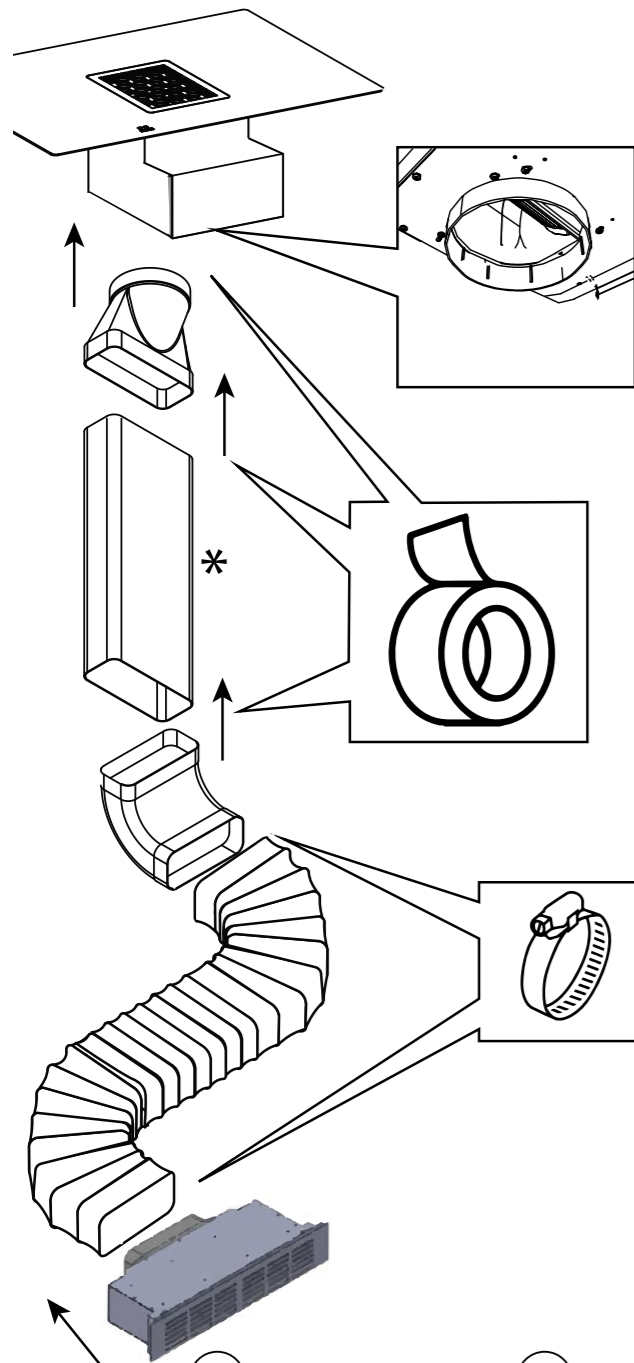
CYCLONE KIT - DIREKTE UDBLÆSNING UNDER GULV

Kit varenr. 535.23.1260.9

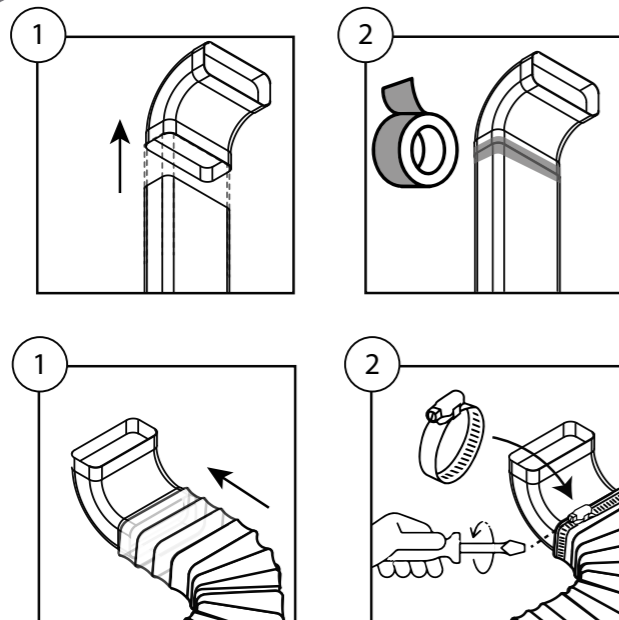


CYCLONE KIT - RECIKULERINGSFILTER

Kit varenr. 535.23.1200.9

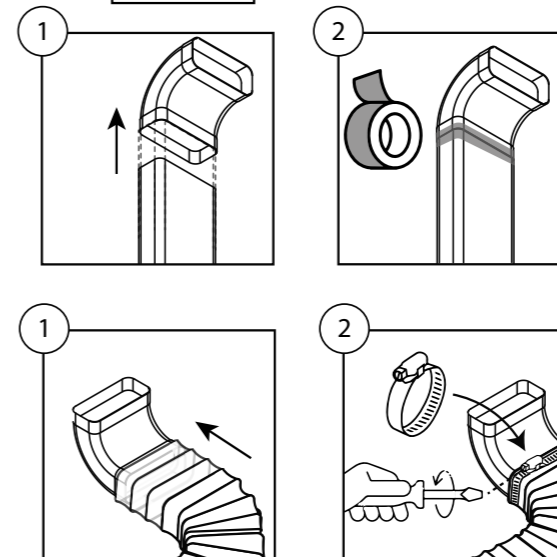
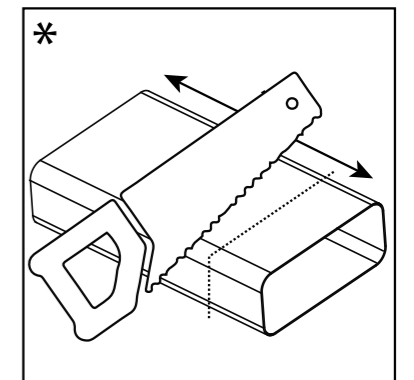
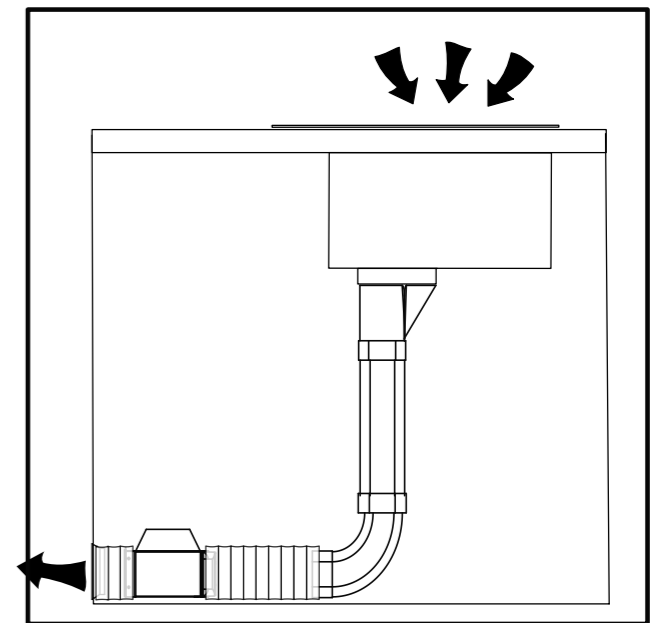
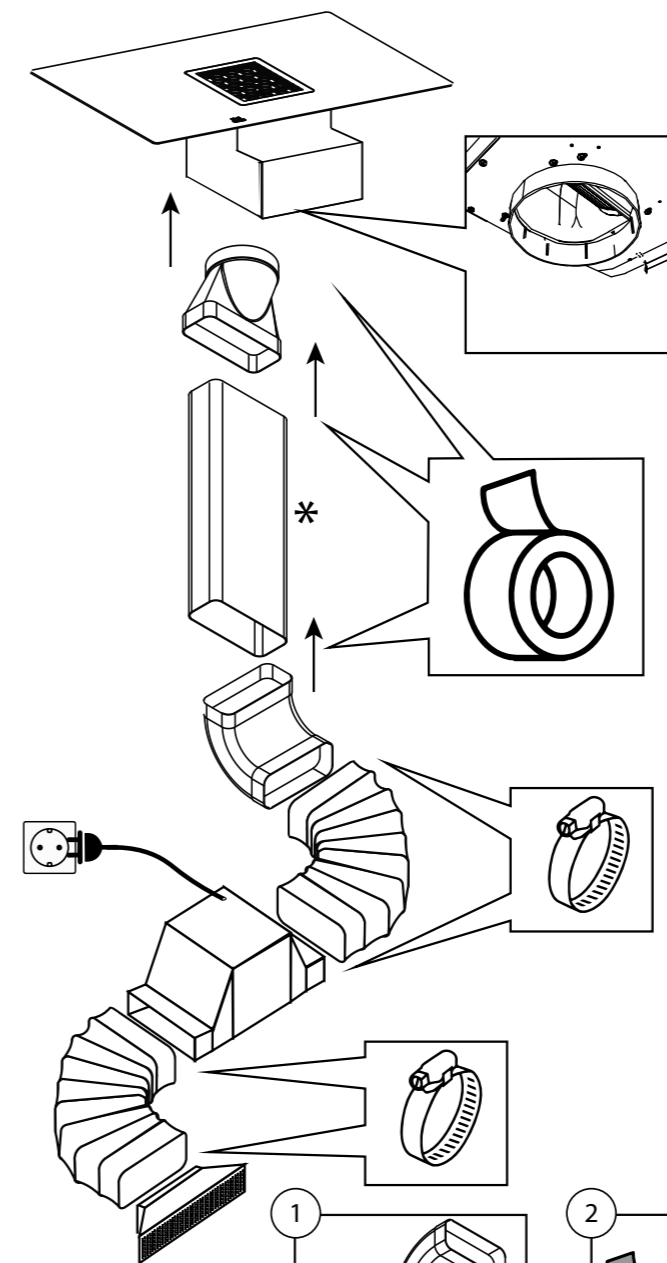


- 1x 1m
- 1x
- 1x
- 1x
- 2x
- 1x 3m
- 1x



CYCLONE KIT - PLASMEX RUND

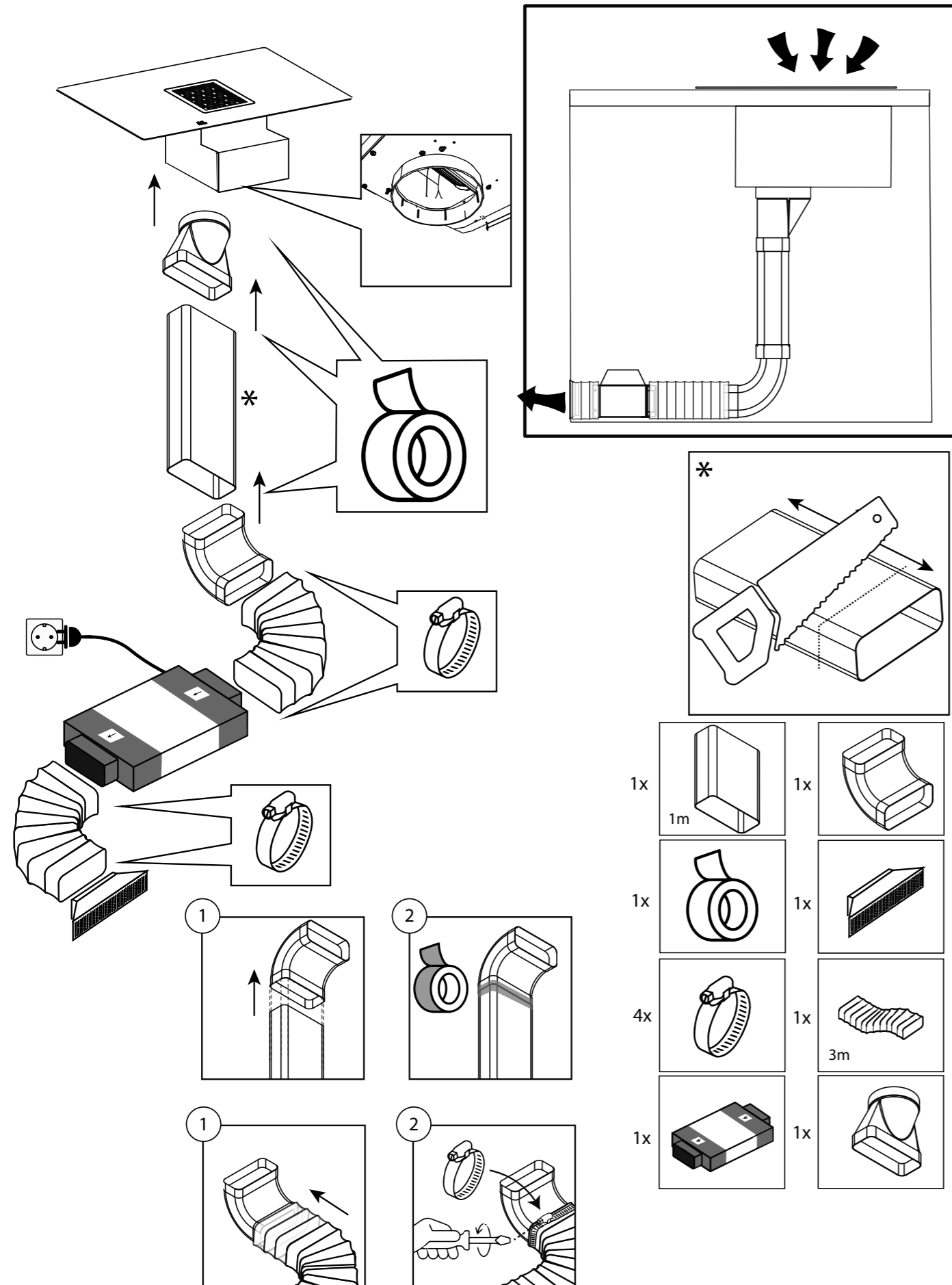
Kit varenr. 536.99.1800.9



- 1x 1m
- 1x
- 1x
- 4x
- 1x 3m
- 1x

CYCLONE KIT - PLASMEX FLAD

Kit varenr. 536.99.1801.9



Vare navn Varenummer	Billede	Vare navn Varenummer	Billede
Duct Tape 815.50.1231.9		Grill outlet outdoor 830.60.2038.9	
Clamp 815.16.8208.9		Conversion Flat to Round 825.60.3006.9	
Duct 825.60.3001.9 1m		Flex duct 825.50.5933.9 3m	
Duct Bend 90° 825.60.3004.9		Joint 825.60.3005.9	
Outlet Indoor p536.99.1015.9			

Parts webshop




MILJØHENSYN

EMBALLAGE

Emballagen skal bortskaffes i overensstemmelse med gældende regler for affaldshåndtering.

SKROTNING AF PRODUKTET



Symbolet  på produktet eller den ledsagende dokumentation angiver, at dette produkt ikke må bortskaffes som husholdningsaffald, men skal afleveres på nærmeste opsamlingscenter for genbrug af elektronisk udstyr.


ENVIRONMENTAL CONSIDERATIONS

PACKAGING

The packaging must be disposed of in accordance with local regulations on waste management.

SCRAPPING OF THE PRODUCT



The symbol  on the product or accompanying documentation indicates that this product may not be disposed of as household waste but must be delivered to the nearest collection center for the recycling of electrical and electronic equipment.

THERMEX SCANDINAVIA A/S

Farøvej 30 ■ 9800 Hjørring ■ Danmark
Tlf. +45 98 92 62 33
www.thermex.dk
service@thermex.dk

THERMEX SCANDINAVIA AS

Tel. +47 22 21 90 20
www.thermex.no
service@thermex.no

THERMEX SCANDINAVIA AB

Importgatan 12 A ■ 442 46 Hisings Backa ■ Sverige
Tel. +46 031 340 82 00
www.thermex.se
info@thermex.se

THERMEX SCANDINAVIA S.L.U.

Noi del Sucre 42 ■ 08840 Viladecans ■ España
Tel. +34 936 373 003
www.thermex.es
info@thermex.es

THERMEX SCANDINAVIA A/S

Puhelin +358 942 454 000
www.thermex.fi
info@thermex.fi

