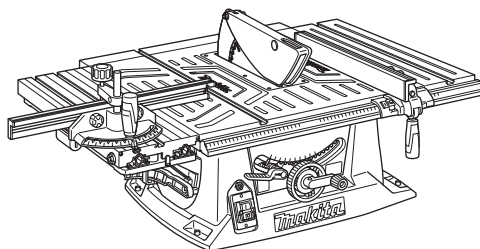




<b>EN</b>	Table Saw	INSTRUCTION MANUAL	8
<b>SV</b>	Bordssåg	BRUKSANVISNING	15
<b>NO</b>	Bordsag	BRUKSANVISNING	22
<b>FI</b>	Pöytäpyörösaha	KÄYTTÖOHJE	28
<b>LV</b>	Galda zāģis	LIETOŠANAS INSTRUKCIJA	35
<b>LT</b>	Medžio pjovimo staklės	NAUDOJIMO INSTRUKCIJA	42
<b>ET</b>	Töölauale paigaldatav saag	KASUTUSJUHEND	49
<b>RU</b>	Отрезной станок со столом	РУКОВОДСТВО ПО ЭКСПЛУАТАЦИИ	56

## MLT100



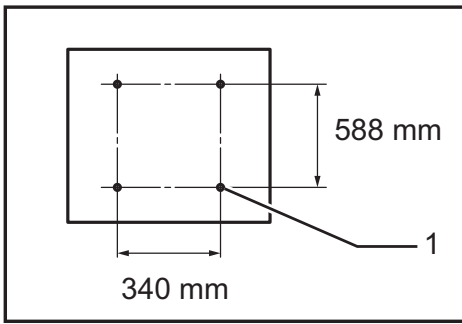


Fig.1

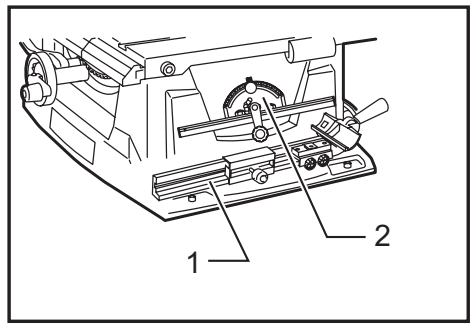


Fig.5

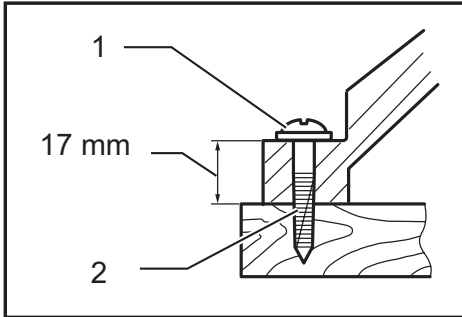


Fig.2

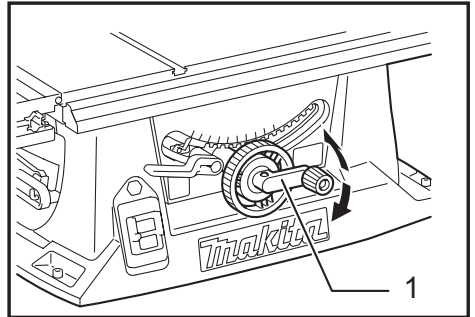


Fig.6

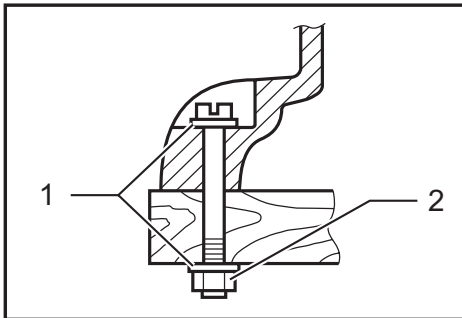


Fig.3

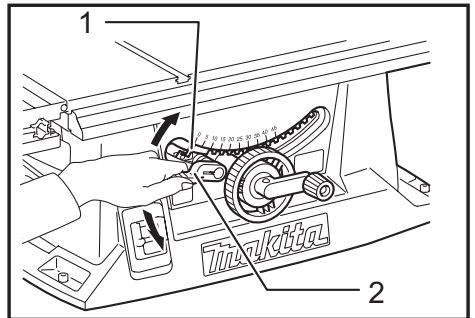


Fig.7

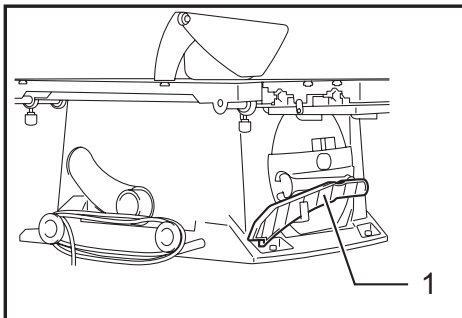


Fig.4

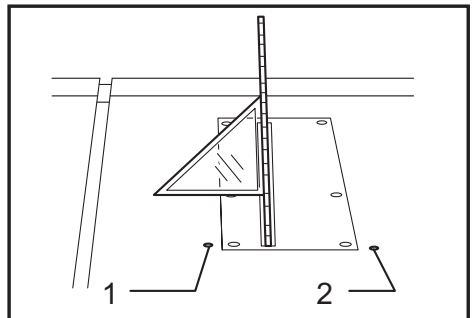


Fig.8

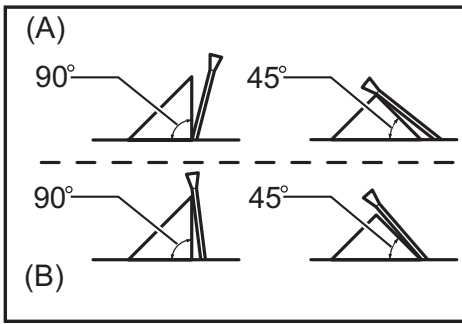


Fig.9

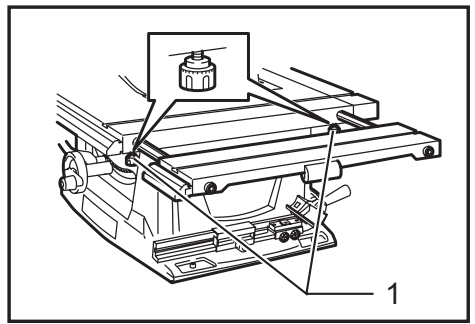


Fig.13

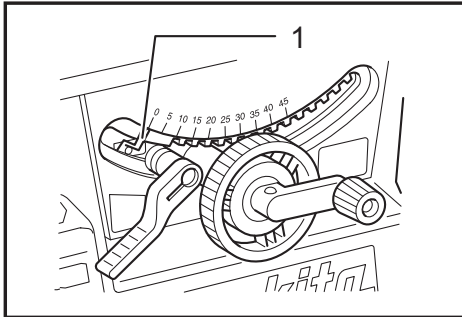


Fig.10

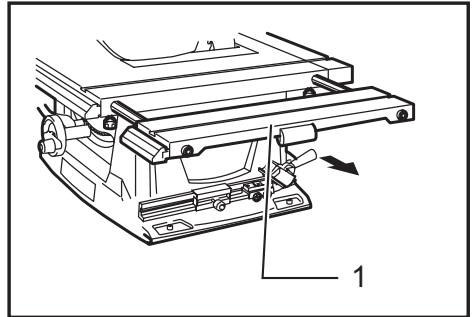


Fig.14

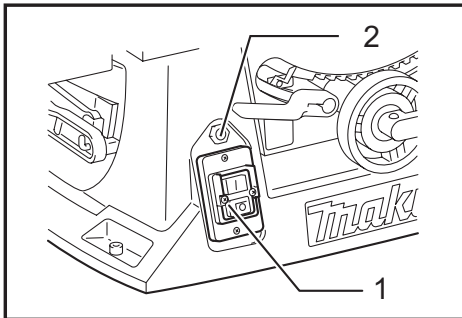


Fig.11

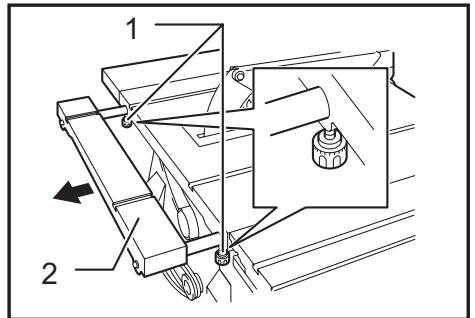


Fig.15

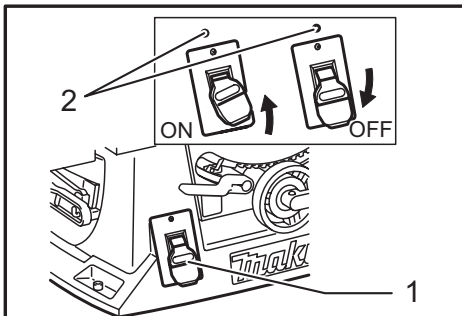


Fig.12

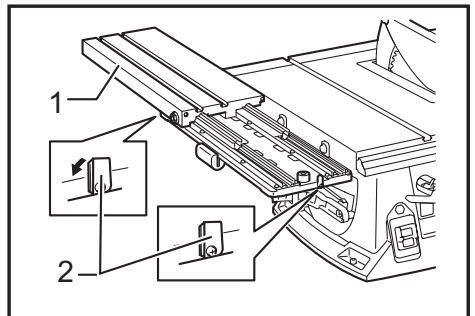


Fig.16

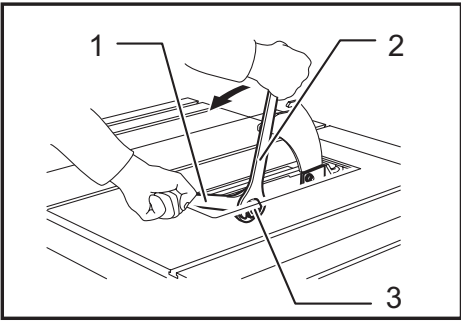


Fig.17

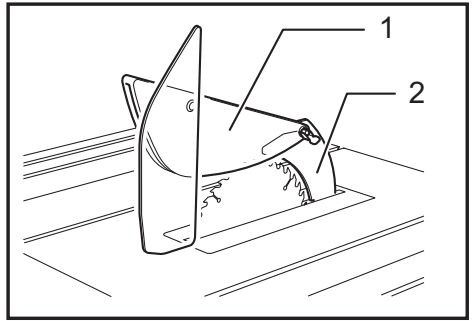


Fig.21

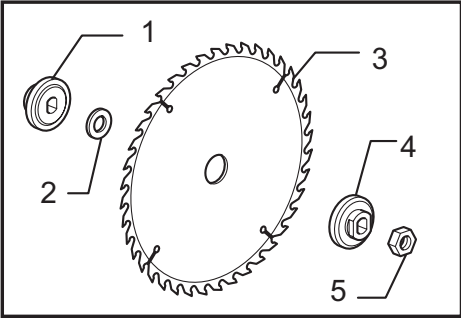


Fig.18

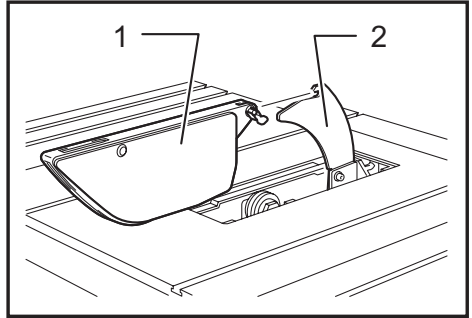


Fig.22

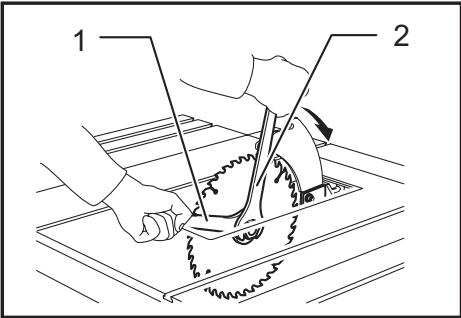


Fig.19

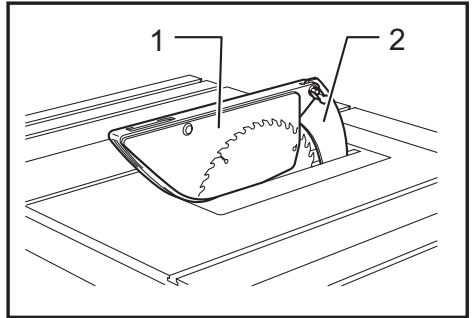


Fig.23

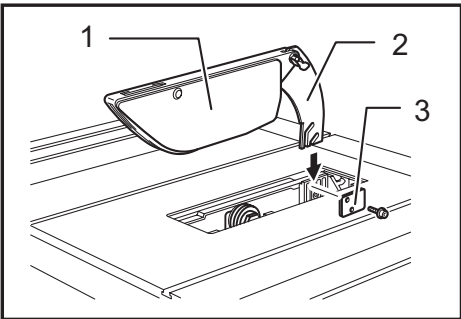


Fig.20

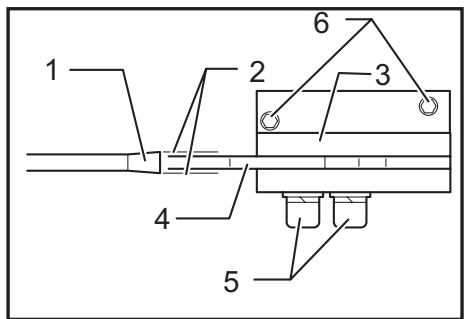


Fig.24

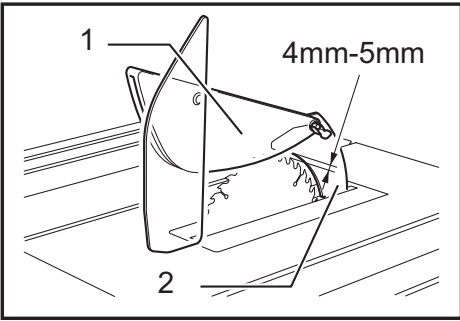


Fig.25

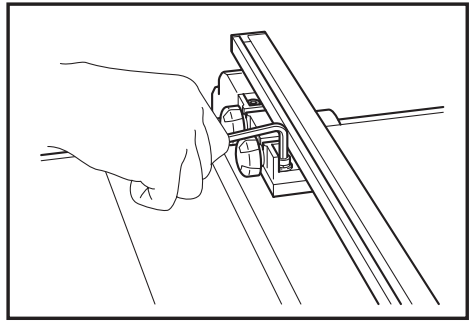


Fig.29

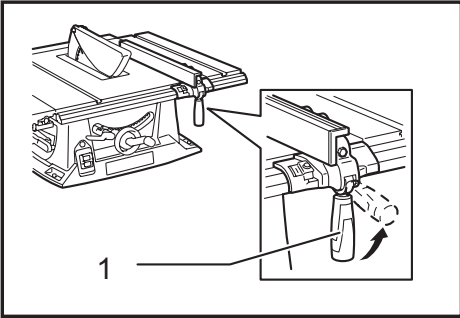


Fig.26

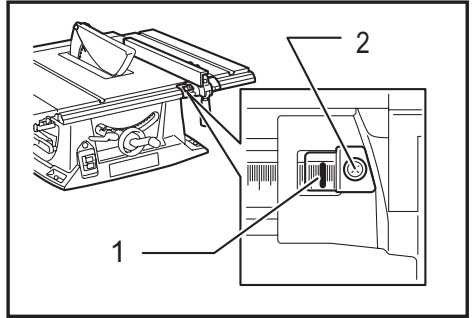


Fig.30

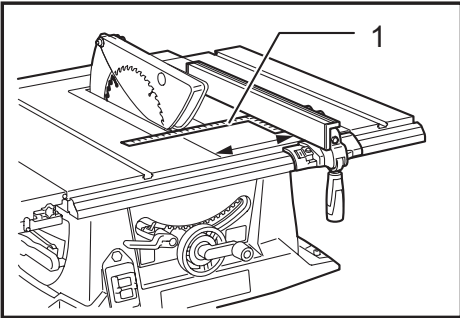


Fig.27

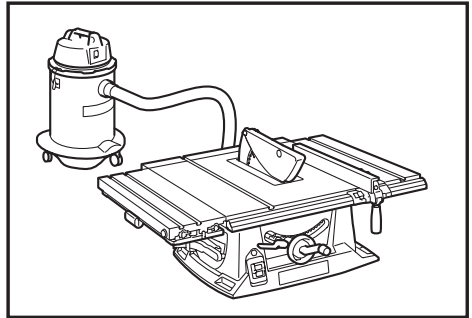


Fig.31

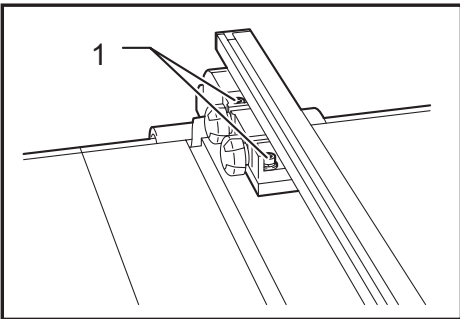


Fig.28

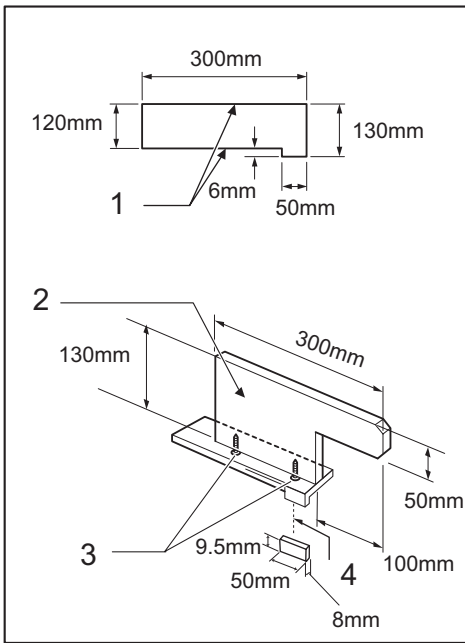


Fig.32

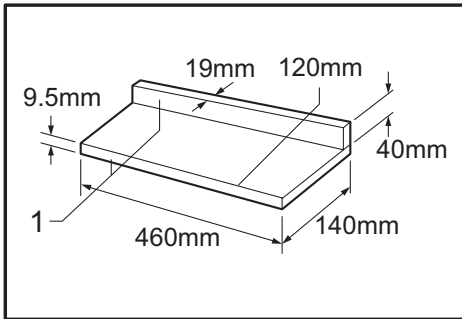


Fig.33

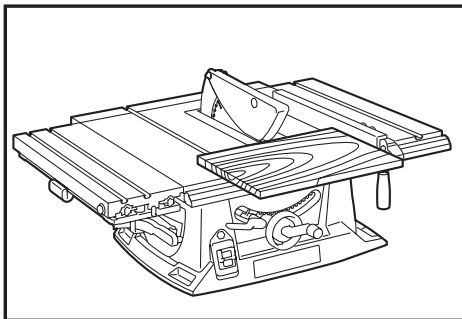


Fig.34

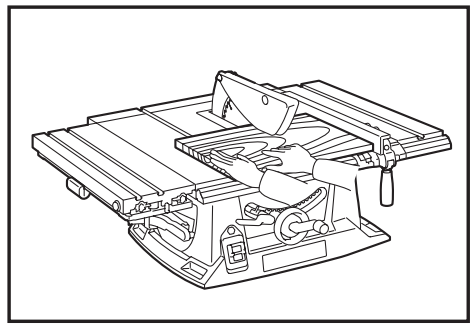


Fig.35

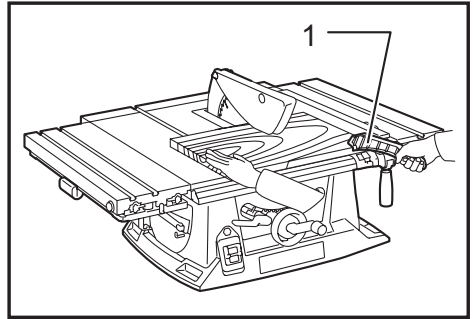


Fig.36

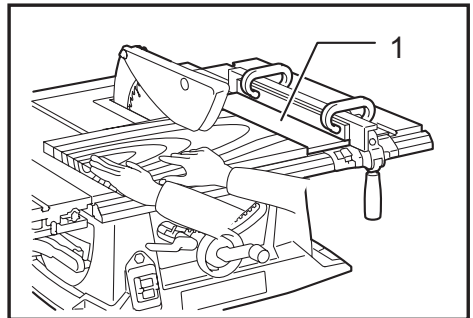


Fig.37

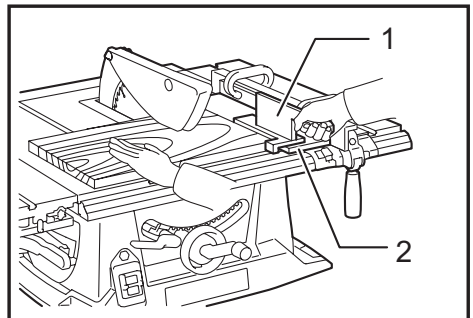


Fig.38

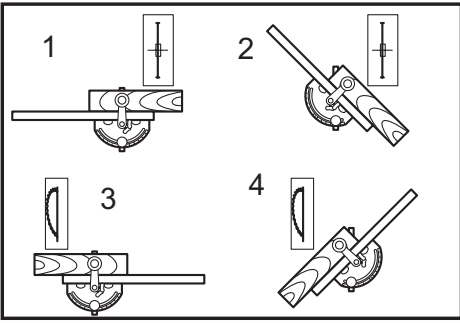


Fig.39

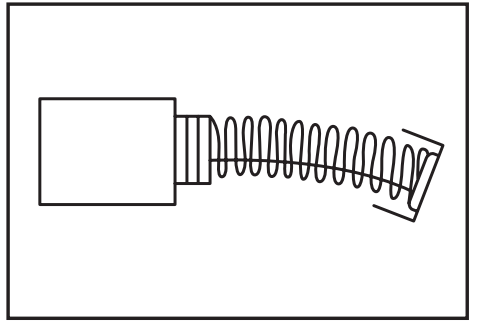


Fig.43

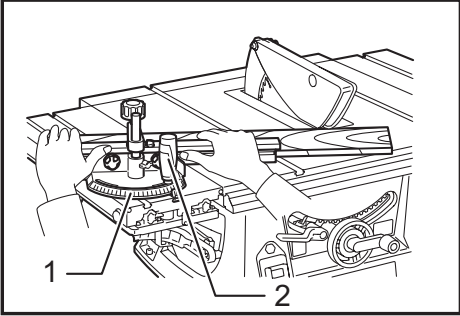


Fig.40

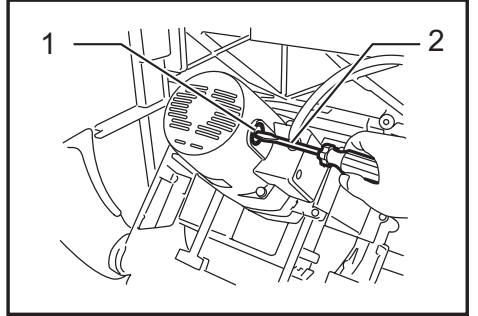


Fig.44

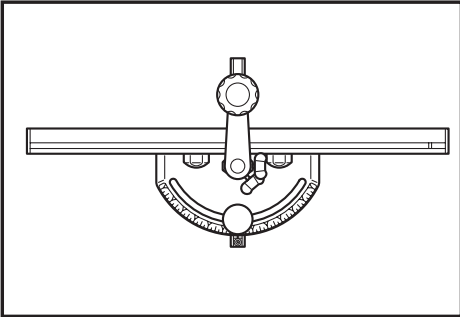


Fig.41

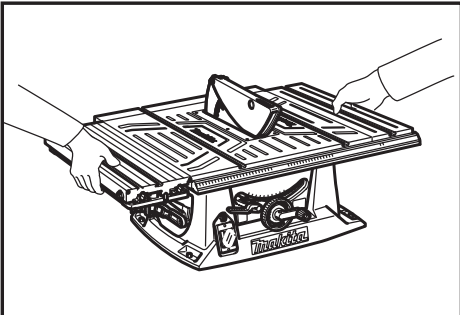


Fig.42






# SPECIFICATIONS

Model		MLT100	
		(for European countries)	(for other than European countries)
Arbor hole		30 mm	25 mm and 25.4 mm
Blade diameter		260 mm	255 mm
Blade body thickness		1.9 mm or less	
Max. cutting capacities	90°	93 mm	90.5 mm
	45°	64 mm	63 mm
No load speed (min <sup>-1</sup> )		4,300	
Table size (L x W)		(685 mm - 835 mm) x (955 mm - 1,305 mm) with sub tables (R) and (back)	(685 mm - 835 mm) x (955 mm - 1,305 mm) with sub tables (R) and (back)
Dimensions (L x W x H) with table(s) not extended		726 mm x 984 mm x 333 mm with sub tables (R) and (back)	726 mm x 984 mm x 333 mm with sub tables (R) and (back)
Net weight		34.1 kg	34.1 kg
Safety class		□/II	

- Due to our continuing program of research and development, the specifications herein are subject to change without notice.
- Specifications may differ from country to country.
- Weight according to EPTA-Procedure 01/2003

## Symbols

The following show the symbols used for the equipment. Be sure that you understand their meaning before use.

	Read instruction manual.
	DOUBLE INSULATION
	Wear safety glasses.
	Do not place hand or fingers close to the blade.
	Only for EU countries Do not dispose of electric equipment together with household waste material! In observance of the European Directive, on Waste Electric and Electronic Equipment and its implementation in accordance with national law, electric equipment that have reached the end of their life must be collected separately and returned to an environmentally compatible recycling facility.

### Intended use

The tool is intended for cutting in wood.

### Power supply

The tool should be connected only to a power supply of the same voltage as indicated on the nameplate, and can only be operated on single-phase AC supply. They are double-insulated and can, therefore, also be used from sockets without earth wire.

### Noise

The typical A-weighted noise level determined according to EN61029:

- Sound pressure level ( $L_{pA}$ ) : 92 dB (A)
- Sound power level ( $L_{WA}$ ) : 105 dB (A)
- Uncertainty (K) : 3 dB (A)

**Wear ear protection**

## EC Declaration of Conformity

### For European countries only

The EC declaration of conformity is included as Annex A to this instruction manual.

## General Power Tool Safety Warnings

**⚠ WARNING** Read all safety warnings and all instructions. Failure to follow the warnings and instructions may result in electric shock, fire and/or serious injury.

**Save all warnings and instructions for future reference.**

## ADDITIONAL SAFETY RULES FOR TOOL

### SAVE THESE INSTRUCTIONS.

1. **Wear eye protection.**
2. **Do not use the tool in presence of flammable liquids or gases.**
3. **NEVER use the tool with an abrasive cut-off wheel installed.**



4. Check the blade carefully for cracks or damage before operation. Replace cracked or damaged blade immediately.
5. Use only saw blades recommended by the manufacturer and which conform to EN847-1, and observe that the riving knife must not be thicker than the width of the cut by the saw blade and not thinner than the body of the blade.
6. Always use accessories recommended in this manual. Use of improper accessories such as abrasive cut-off wheels may cause an injury.
7. Select the correct saw blade for the material to be cut.
8. Do not use saw blades manufactured from high speed steel.
9. To reduce the emitted noise, always be sure that the blade is sharp and clean.
10. Use correctly sharpened saw blades. Observe the maximum speed marked on the saw blade.
11. Clean the spindle, flanges (especially the installing surface) and hex nut before installing the blade. Poor installation may cause vibration/wobbling or slippage of the blade.
12. Use saw-blade guard and riving knife for every operation for which it can be used, including all through sawing operations. Always install the blade guard following the instructions out-lined in this manual. Through sawing operations are those in which the blade cuts completely through the workpiece as in ripping or cross cutting. NEVER use the tool with a faulty blade guard or secure the blade guard with a rope, string, etc. Any irregular operation of the blade guard should be corrected immediately.
13. Immediately reattach the guard and riving knife after completing an operation which requires removal of the guard.
14. Do not cut metal objects such as nails and screws. Inspect for and remove all nails, screws and other foreign material from the workpiece before operation.
15. Remove wrenches, cut-off pieces, etc. from the table before the switch is turned on.
16. NEVER wear gloves during operation.
17. Keep hands out of the line of the saw blade.
18. NEVER stand or permit anyone else to stand in line with the path of the saw blade.
19. Make sure the blade is not contacting the riving knife or workpiece before the switch is turned on.
20. Before using the tool on an actual workpiece, let it run for a while. Watch for vibration or wobbling that could indicate poor installation or a poorly balanced blade.
21. The tool should not be used for slotting, rabbetting or grooving.
22. Replace table insert when worn.
23. NEVER make any adjustments while tool is running. Disconnect tool before making any adjustments.
24. Use a push stick when required. Push sticks MUST be used for ripping narrow workpieces to keep your hands and fingers well away from the blade.
25. Always store the push-stick when it is not in use.
26. Pay particular attention to instructions for reducing risk of KICKBACK. KICKBACK is a sudden reaction to a pinched, bound or misaligned saw blade. KICKBACK causes the ejection of the workpiece from the tool back towards the operator. KICKBACKS CAN LEAD TO SERIOUS PERSONAL INJURY. Avoid KICKBACKS by keeping the blade sharp, by keeping the rip fence parallel to the blade, by keeping the riving knife and blade guard in place and operating properly, by not releasing the workpiece until you have pushed it all the way past the blade, and by not ripping a workpiece that is twisted or warped or does not have a straight edge to guide along the fence.
27. Do not perform any operation freehand. Freehand means using your hands to support or guide the workpiece, in lieu of a rip fence or miter gauge.
28. NEVER reach around or over saw blade. NEVER reach for a workpiece until the saw blade has completely stopped.
29. Avoid abrupt, fast feeding. Feed as slowly as possible when cutting hard workpieces. Do not bend or twist workpiece while feeding. If you stall or jam the blade in the workpiece, turn the tool off immediately. Unplug the tool. Then clear the jam.
30. NEVER remove cut-off pieces near the blade or touch the blade guard while the blade is running.
31. Knock out any loose knots from workpiece BEFORE beginning to cut.
32. Do not abuse cord. Never yank cord to disconnect it from the receptacle. Keep cord away from heat, oil, water and sharp edges.
33. Some dust created from operation contains chemicals known to cause cancer, birth defects or other reproductive harm. Some examples of these chemicals are:
  - lead from lead-based-painted material and,
  - arsenic and chromium from chemically-treated lumber.
  - Your risk from these exposures varies, depending on how often you do this type of work. To reduce your exposure to these chemicals: work in a well ventilated area and work with approved safety equipment, such as those dust masks that are specially designed to filter out microscopic particles.
34. Connect the tool to a dust collecting device when sawing.
35. The guard can be lifted during workpiece setup and for ease of cleaning. Always make sure that guard hood is down and flat against sawtable before plugging in the tool.

**SAVE THESE INSTRUCTIONS.**

# INSTALLATION

## Positioning table saw

- ▶ **Fig.1:** 1. Hole diameter 8 mm
- ▶ **Fig.2:** 1. 6 mm Std. washer 2. No.10 wood screw 40 mm min. length
- ▶ **Fig.3:** 1. 6 mm Std. washer 2. 6 mm Mounting bolt & Nut tighten securely

Locate the table saw in a well lit and level area where you can maintain good footing and balance. It should be installed in an area that leaves enough room to easily handle the size of your workpieces. The table saw should be secured with four screws or bolts to the work bench or table saw stand using the holes provided in the bottom of the table saw. When securing the table saw on the work bench, make sure that there is an opening in the top of the work bench the same size as the opening in the bottom of the table saw so the sawdust can drop through. If during operation there is any tendency for the table saw to tip over, slide or move, the work bench or table saw stand should be secured to the floor.

## Storing accessories

- ▶ **Fig.4:** 1. Push stick
- ▶ **Fig.5:** 1. Rip fence (Guide rule) 2. Miter gauge

Push stick, Triangular rule, blade and wrenches can be stored on the left side of the base and the rip fence and miter gauge can be stored at the right side of the base.

# FUNCTIONAL DESCRIPTION

## ⚠ CAUTION:

- Always be sure that the tool is switched off and unplugged before adjusting or checking function on the tool.

## Adjusting the depth of cut

- ▶ **Fig.6:** 1. Handle

The depth of cut may be adjusted by turning the handle. Turn the handle clockwise to raise the blade or counterclockwise to lower it.

## NOTE:

- Use a shallow depth setting when cutting thin materials in order to obtain a cleaner cut.

## Adjusting the bevel angle

- ▶ **Fig.7:** 1. Arrow pointer 2. Lock lever

Loosen the lock lever counterclockwise and turn the handwheel until the desired angle (0° - 45°) is obtained. The bevel angle is indicated by the arrow pointer. After obtaining the desired angle, tighten the lock lever clockwise to secure the adjustment.

## ⚠ CAUTION:

- After adjusting the bevel angle, be sure to tighten the lock lever securely.

## Adjusting positive stops

- ▶ **Fig.8:** 1. 90° adjusting screw 2. 45° adjusting screw
- ▶ **Fig.9**

The tool is equipped with positive stops at 90° and 45° to the table surface. To check and adjust the positive stops, proceed as follows:  
Move the handwheel as far as possible by turning it. Place a triangular rule on the table and check to see if the blade is at 90° or 45° to the table surface. If the blade is at an angle shown in Fig. A, turn the adjusting screws clockwise; if it is at an angle shown in Fig. B, turn the adjusting screws counterclockwise to adjust the positive stops.  
After adjusting the positive stops, set the blade at 90° to the table surface. Then adjust the arrow pointer so that its right edge is aligned to the 0° graduation.  
▶ **Fig.10:** 1. Arrow pointer

## Switch action

### ⚠ CAUTION:

- Remove workpiece from the table.
- Switch off the tool and then press in the restart button.
- Before plugging in the tool, always be sure that the tool is switched off.

## For tool with button type switch

- ▶ **Fig.11:** 1. Switch 2. Restart button

To start the tool, press the ON ( I ) button.  
To stop it, press the OFF ( O ) button.

## For tool with lever type switch

- ▶ **Fig.12:** 1. Switch 2. Restart button

To start the tool, raise the switch lever. To stop it, lower the switch lever.

## Sub table (R)

- ▶ **Fig.13:** 1. Screws
- ▶ **Fig.14:** 1. Sub table (R)

This tool is provided with the sub table (R) on the right side of the main table. To use the sub table (R), loosen two screws on the right side counterclockwise, pull out the table (R) fully and then tighten the two screws to secure it.

## Sub table (back)

- ▶ **Fig.15:** 1. Screws 2. Sub table (back)

To use the sub table (back), loosen the screws on the left and right hand sides under the table and pull it out backwards to the desired length. At the desired length, tighten the screw securely.

## Slide table

- ▶ **Fig.16:** 1. Slide table 2. Locking plate

### ⚠ CAUTION:

- After using slide table, be sure to lock it by moving the locking plate to the vertical position.

This tool is provided with the slide table on the left side. The slide table slides back and forth. Pivot the locking

plates on the back and front sides to the horizontal position before using it.

Hold workpiece firmly with the miter gauge using a clamp on the miter gauge and slide the workpiece together with the slide table at the time of cutting operation.

## ASSEMBLY

### ⚠ CAUTION:

- Always be sure that the tool is switched off and unplugged before carrying out any work on the tool.

The tool is shipped from the factory with the saw blade and blade guard not in the installed condition. Assemble as follows:

### Installing or removing saw blade

### ⚠ CAUTION:

- Always be sure that the tool is switched off and unplugged before installing or removing the blade.
- Use only the Makita socket wrench provided to install or remove the blade. Failure to do so may result in overtightening or insufficient tightening of the hex bolt. This could cause an injury.
- Use the following saw blade. Do not use saw blades which do not comply with the characteristics specified in these instructions.

For Model	Max. dia.	Min. dia.	Blade thickness	Kerf
MLT100	260 mm	230 mm	1.8 mm or less	2 mm or more

### ⚠ CAUTION:

- Check the arbor hole diameter of the blade before installing the blade. Always use the correct ring for the arbor hole of the blade you intend to use.

► **Fig.17:** 1. Wrench 2. Wrench 3. Hex nut

Remove the table insert on the table. Hold the outer flange with the wrench and loosen the hex nut counterclockwise with the wrench. Then remove the outer flange.

► **Fig.18:** 1. Inner flange 2. Ring 3. Saw blade 4. Outer flange 5. Hex nut

Assemble the inner flange, ring, saw blade, outer flange and hex nut onto the arbor, making sure that the teeth of the blade are pointing down at the front of the table. Always install the hex nut with its recessed side facing the outer flange.

### For all countries other than European countries

### ⚠ CAUTION:

- The ring 25.4 mm in outer diameter is factory-installed onto the spindle.

### For European countries

### ⚠ CAUTION:

- The ring 30 mm in outer diameter is factory-installed between the inner and outer flanges.
- Keep the flange surface clean of dirt or other adhering matter; it could cause blade slippage. Be sure that the blade is installed so that the teeth are aligned in the cutting (turning) direction.

To secure the blade in place, hold the outer flange with the offset wrench, then tighten the hex nut clockwise with the wrench. **BE SURE TO TIGHTEN THE HEX NUT SECURELY.**

► **Fig.19:** 1. Wrench 2. Wrench

### ⚠ CAUTION:

- Be sure to hold the hex nut carefully with the wrench. If your grip should slip, the wrench may come off the hex nut, and your hand could strike the sharp blade edges.

### Installing blade guard

► **Fig.20:** 1. Blade guard 2. Riving knife 3. Blade guard mounting portion (stay)

► **Fig.21:** 1. Blade guard 2. Riving knife

### ⚠ CAUTION:

- Before installing the blade guard, adjust the depth of cut to its maximum elevation.

### For non-European type blade guard

Remove the center cover. Insert the riving knife into the blade guard mounting portion (stay). Tighten the hex bolts (A) with the provided wrench.

### For European type blade guard

► **Fig.22:** 1. Blade guard 2. Riving knife

► **Fig.23:** 1. Blade guard 2. Riving knife

Remove the center cover. Insert the riving knife into the blade guard mounting portion (stay). Tighten the hex bolts (A) with the provided wrench.

Place the blade guard into the groove on the riving knife. Secure the blade guard by pivoting the lever on the blade guard.

### For both European and non-European type blade guards

The riving knife installing location is factory-adjusted so that the blade and riving knife will be in a straight line. However, if they are not in a straight line, loosen the hex bolts (B) and adjust the blade guard mounting portion (stay) so that the riving knife is aligned directly behind the blade. Then tighten the hex bolts (B) to secure the stay.

► **Fig.24:** 1. Blade 2. These two clearances should be equal. 3. Blade guard mounting portion (stay) 4. Riving knife 5. Hex bolts (A) 6. Hex bolts (B)

### **⚠ CAUTION:**

- If the blade and riving knife are not aligned properly, a dangerous pinching condition may result during operation. Make sure they are properly aligned. You could suffer serious personal injury while using the tool without a properly aligned riving knife.
- NEVER make any adjustments while tool is running. Disconnect the tool before making any adjustments.
- Don't remove the riving knife.

#### ► Fig.25: 1. Blade guard 2. Riving knife

There must be a clearance of about 4 - 5 mm between the riving knife and the blade teeth. Loosen the hex bolts (A) and adjust the riving knife accordingly and tighten the hex bolts (A) securely. Attach the table insert on the table, then check to see that the blade guard works smoothly before cutting.

## Installing and adjusting rip fence

#### ► Fig.26: 1. Lever

Install the rip fence so that the fence holder engages with the nearest guide rail.

To secure the rip fence, pivot fully the lever on the fence holder.

To check to be sure that the rip fence is parallel with the blade, secure the rip fence 2 - 3 mm from the blade. Raise the blade up to maximum elevation. Mark one of the blade teeth with a crayon. Measure the distance (A) and (B) between the rip fence and blade. Take both measurements using the tooth marked with the crayon. These two measurements should be identical. If the rip fence is not parallel with the blade, proceed as follows:

#### ► Fig.27: 1. Scale

#### ► Fig.28: 1. Hex bolts

1. Secure the rip fence by lowering the lever on it.
2. Loosen the two hex bolts on the rip fence with the hex wrench provided.
3. Adjust the rip fence until it becomes parallel with the blade.
4. Tighten the two hex bolts on the rip fence.

#### ► Fig.29

### **⚠ CAUTION:**

- Be sure to adjust the rip fence so that it is parallel with the blade, or a dangerous kickback condition may occur.

Bring the rip fence up flush against the side of the blade. Make sure that the guideline on the fence holder points to the 0 graduation. If the guideline does not point to the 0 graduation, loosen the screw on the scale plate and adjust the scale plate.

#### ► Fig.30: 1. Guideline 2. Screw

## Connecting to vacuum cleaner

#### ► Fig.31

Cleaner operations can be performed by connecting the tool to Makita vacuum cleaner or dust collector.

## OPERATION

### **⚠ CAUTION:**

- Always use "work helpers" such as push sticks and push blocks when there is a danger that your hands or fingers will come close to the blade.
- Always hold the workpiece firmly with the table and the rip fence or miter gauge. Do not bend or twist it while feeding. If the workpiece is bent or twisted, dangerous kickbacks may occur.
- NEVER withdraw the workpiece while the blade is running. If you must withdraw the workpiece before completing a cut, first switch the tool off while holding the workpiece firmly. Wait until the blade has come to a complete stop before withdrawing the workpiece. Failure to do so may cause dangerous kickbacks.
- NEVER remove cut-off material while the blade is running.
- NEVER place your hands or fingers in the path of the saw blade. Be especially careful with bevel cuts.
- Always secure the rip fence firmly, or dangerous kickbacks may occur.
- Always use "work helpers" such as push sticks and push blocks when cutting small or narrow workpieces.

## Work helpers

Push sticks, push blocks or auxiliary fence are types of "work helpers". Use them to make safe, sure cuts without the need for the operator to contact the blade with any part of the body.

### Push block

#### ► Fig.32: 1. Face/edge parallel 2. Handle 3. Wood screw 4. Glue together

Use a 19 mm piece of plywood.

Handle should be in center of plywood piece. Fasten with glue and wood screws as shown. Small piece 9.5 mm x 8 mm x 50 mm of wood must always be glued to plywood to keep the blade from dulling if the operator cuts into push block by mistake. (Never use nails in push block.)

### Auxiliary fence

#### ► Fig.33: 1. Face/edge parallel

Make auxiliary fence from 9.5 mm and 19 mm plywood pieces.

## Ripping

### ⚠ CAUTION:

- When ripping, remove the miter gauge from the table.
- When cutting long or large workpieces, always provide adequate support behind the table. DO NOT allow a long board to move or shift on the table. This will cause the blade to bind and increase the possibility of kickback and personal injury. The support should be at the same height as the table.

1. Adjust the depth of cut a bit higher than the thickness of the workpiece.  
▶ **Fig.34**
2. Position the rip fence to the desired width of rip and lock in place by pivoting the grip.
3. Turn the tool on and gently feed the workpiece into the blade along with the rip fence.
  - (1) When the width of rip is 150 mm and wider, carefully use your right hand to feed the workpiece. Use your left hand to hold the workpiece in position against the rip fence.

### ▶ Fig.35

- (2) When the width of rip is 65 mm - 150 mm wide, use the push stick to feed the workpiece.

### ▶ Fig.36: 1. Push stick

- (3) When the width of rip is narrower than 65 mm, the push stick cannot be used because the push stick will strike the blade guard. Use the auxiliary fence and push block. Attach the auxiliary fence to the rip fence with two "C" clamps.

### ▶ Fig.37: 1. Auxiliary fence

Feed the workpiece by hand until the end is about 25 mm from the front edge of the table. Continue to feed using the push block on the top of the auxiliary fence until the cut is complete.

### ▶ Fig.38: 1. Push block 2. Auxiliary fence

## Cross cutting

### ⚠ CAUTION:

- When making a crosscut, remove the rip fence from the table.
- When cutting long or large workpieces, always provide adequate support to the sides of the table. The support should be at the same height as the table.
- Always keep hands away from path of blade.

## Miter gauge

- ▶ **Fig.39:** 1. Cross cutting 2. Mitering 3. Bevel cutting 4. Compound mitering (angles)

Use the miter gauge for the 4 types of cutting shown in the figure.

### ⚠ CAUTION:

- Secure the knob on the miter gauge carefully.
- Avoid creep of workpiece and gauge by firm workholding arrangement, especially when cutting at an angle.
- NEVER hold or grasp the intended "cut-off" portion of the workpiece.
- Always adjust the distance between the end of the miter gauge and the saw blade not to exceed 15 mm.

## Use of miter gauge

- ▶ **Fig.40:** 1. Miter gauge 2. Knob

Slide the miter gauge into the thick grooves in the table. Loosen the knob on the gauge and align to desired angle (0° to 60°). Bring stock flush up against fence and slide table, secure it with the clamp on the miter gauge and feed gently forward into the blade.

## Auxiliary wood facing (miter gauge)

- ▶ **Fig.41**

To prevent a long board from wobbling, fit the miter gauge with an auxiliary fence board. Fasten with bolts/nuts after drilling holes, but fasteners must not protrude from the face board.

## Carrying tool

- ▶ **Fig.42**

Make sure that the tool is unplugged. Carry the tool by holding the tool part shown in the figure.

### ⚠ CAUTION:

- Always secure all moving portions before carrying the tool.
- Always make sure that the blade guard is installed in place before the carrying the tool.

## MAINTENANCE

### ⚠ CAUTION:

- Always be sure that the tool is switched off and unplugged before attempting to perform inspection or maintenance.

### NOTICE:

- Never use gasoline, benzene, thinner, alcohol or the like. Discoloration, deformation or cracks may result.

## Cleaning

Clean out sawdust and chips from time to time. Carefully clean the blade guard and moving parts inside the table saw.

## Lubrication

To keep the table saw in tip-top running condition, and to assure maximum service life, oil or grease the moving parts and rotating parts from time to time.

Lubrication places:

- Threaded shaft to elevate the blade
- Hinge to rotate the frame
- Elevation guide shafts on motor
- Gear to elevate the blade

## Replacing carbon brushes

### ► Fig.43

Remove and check the carbon brushes regularly. Replace when they wear down to 3 mm in length. Keep the carbon brushes clean and free to slip in the holders. Both carbon brushes should be replaced at the same time. Use only identical carbon brushes.

### ► Fig.44: 1. Brush holder cap 2. Screwdriver

Use a screwdriver to remove the brush holder caps. To replace the carbon brushes, remove the blade guard and blade and then loosen the lock lever, tilt the saw head and secure it at 45° bevel angle. Carefully lay the tool on itself backward. Then loosen the brush holder cap. Remove the worn carbon brushes, insert the new ones and secure the brush holder caps.

To maintain product SAFETY and RELIABILITY, repairs, any other maintenance or adjustment should be performed by Makita Authorized Service Centers, always using Makita replacement parts.

## OPTIONAL ACCESSORIES

### CAUTION:

- These accessories or attachments are recommended for use with your Makita tool specified in this manual. The use of any other accessories or attachments might present a risk of injury to persons. Only use accessory or attachment for its stated purpose.

If you need any assistance for more details regarding these accessories, ask your local Makita Service Center.

- Rip fence
- Miter gauge
- Wrench 24
- Hex wrench 5
- Joint ( for connecting to dust collector )
- Stand set

### NOTE:

- Some items in the list may be included in the tool package as standard accessories. They may differ from country to country.






## SPECIFIKATIONER

Modell	MLT100	
	(för länder i Europa)	(för länder utanför Europa)
Axelhål	30 mm	25 mm och 25,4 mm
Bladdiameter	260 mm	255 mm
Klingjocklek	1,9 mm eller mindre	
Max, sågkapacitet	90°	93 mm
	45°	64 mm
Obelastat varvtal (min <sup>-1</sup> )	4 300	
Bordstorlek (L x B)	(685 mm - 835 mm) x (955 mm - 1 305 mm) med slagbord (H) och (bak)	(685 mm - 835 mm) x (955 mm - 1 305 mm) med slagbord (H) och (bak)
Mått (L x B x H) med slagbord indragna	726 mm x 984 mm x 333 mm med slagbord (H) och (bak)	726 mm x 984 mm x 333 mm med slagbord (H) och (bak)
Vikt	34,1 kg	34,1 kg
Säkerhetsklass	□/II	

- På grund av vårt pågående program för forskning och utveckling kan dessa specifikationer ändras utan föregående meddelande,
- Specifikationerna kan variera mellan olika länder,
- Vikt i enlighet med EPTA-procedur 01/2003

## Symboler

Följande visar symbolerna som används för utrustningen. Se till att du förstår innebörden innan du använder bormaskinen.

	Läs bruksanvisningen.
	DUBBEL ISOLERING
	Bär skyddsglasögon.
	Håll inte handen eller fingrarna i närheten av sågbladet.
	Gäller endast EU-länder Elektrisk utrustning får inte kastas i hushållsoporna! Enligt EU-direktivet som avser äldre elektrisk och elektronisk utrustning och dess tillämpning enligt nationell lagstiftning ska uttjänt elektriskt utrustning sorteras separat och lämnas till miljövänlig återvinning.

### Användningsområde

Verktöget är avsett för skärning i trä.

### Strömförsörjning

Maskinen får endast anslutas till elnät med samma spänning som anges på typplåten och med enfasig växelström. De är dubbelisolerade och får därför också anslutas i ojordade vägguttag.

### Buller

Typiska A-vägda bullernivån är mätt enligt EN61029:

Ljudtrycksnivå (L<sub>PA</sub>): 92 dB (A)

Ljudeffektnivå (L<sub>WA</sub>): 105 dB (A)

Måttolerans (K): 3 dB (A)

Använd hörselskydd

## EG-försäkring om överensstämmelse

### Gäller endast inom EU

EG-försäkring om överensstämmelse inkluderas som bilaga A till denna bruksanvisning.

## Allmänna säkerhetsvarningar för maskin

**⚠ VARNING** Läs igenom alla säkerhetsvarningar och instruktioner. Underlåtenhet att följa varningar och instruktioner kan leda till elektrisk stöt, brand och/eller allvarliga personskador.

**Spara alla varningar och instruktioner för framtida referens.**

## YTTERLIGARE SÄKERHETSANVISNINGAR FÖR MASKINEN

### SPARA DESSA ANVISNINGAR.

1. Använd ögonskydd.
2. Använd inte verktöget i närheten av lättantändliga vätskor eller gaser.
3. Använd ALDRIG verktöget med en slipande kapskiva monterad.
4. Kontrollera noga före användning att sågbladet inte har sprickor eller är skadat. Byt omedelbart ut ett skadat eller sprucket sågblad.



5. Använd endast de sågblad som rekommenderas av tillverkaren och som överensstämmer med EN847-1, och observera att spaltkniven inte får vara vara tjockare än sågningens bredd och inte tunnare än sågbladet.
6. Använd alltid tillbehör som rekommenderas i denna bruksanvisning. Opassande tillbehör som till exempel en slipande kapskiva kan orsaka skada om de används.
7. Välj ett sågblad som passar det material som skall sågas.
8. Använd inte sågblad som tillverkats av snabbstål.
9. För att minska bullret, se alltid till att sågbladet är vasst och rengjort.
10. Använd korrekt slipade sågblad. Observera maximal hastighet som markerats på sågbladet.
11. Rengör spindel, flänsarna (speciellt monteringsytan) och sexkantsmuttern innan bladet monterats. En dålig montering kan orsaka vibrationer/skakningar eller att bladet slirar.
12. Använd klingskydd och spaltkniv i de lägen där de kan användas, inklusive alla fall av genomsågning. Installera alltid klingskyddet genom att följa instruktionerna i denna bruksanvisning. Genomsågning innebär att sågbladet skär helt igenom arbetsstycket som vid klyvning eller kapning. Använd ALDRIG verktyget med ett felaktigt klingskydd eller genom att fästa skyddet med ett rep, snöre etc. Varje slag av onormalt beteende för klingskyddets funktion skall åtgärdas omedelbart.
13. Montera omedelbart tillbaka skyddet och spaltkniven efter att en funktion slutförts som kräver att skyddet avlägsnas.
14. Såga inte i metallföremål som till exempel spikar och skruvar. Sök igenom arbetsstycket efter spikar, skruvar eller främmande material och avlägsna dessa innan körningen påbörjas.
15. Avlägsna alla nycklar, avsågade delar etc. från arbetsbordet innan strömbrytaren slås på.
16. Använd ALDRIG handskar under arbetet.
17. Håll händerna borta från bladets såglinje.
18. Stå aldrig själv eller låt inte heller någon annan stå i bladets såglinje.
19. Se till att sågbladet inte kommer i kontakt med spaltkniven eller arbetsstycket innan strömbrytaren slagits på.
20. Låt verktyget vara igång en stund innan det används på arbetsstycket. Kontrollera att sågbladet inte vibrerar eller skakar vilket kan innebära att den är felaktigt monterad eller dåligt balanserad.
21. Verktyget skall inte användas för spår- eller falssågning.
22. Byt ut arbetsbordets insats när det är slitet.
23. Utför aldrig justeringar när verktyget är igång. Koppla från verktyget innan justeringar utförs.
24. Använd en matarpinne vid behov. En matarpinne måste användas vid kapning av små arbetsstycken för att hålla händer och fingrar på ett säkert avstånd från sågbladet.
25. Lagg alltid undan matarpinnen på en säker plats när den inte används.
26. Var särskilt uppmärksam på anvisningarna för hur man minskar risken för BAKÅTKAST. BAKÅTKAST är en plötslig reaktion på ett klämt, bundet eller felriktat sågblad. BAKÅTKAST kallas det när arbetsstycket plötsligt kastas tillbaka från maskinen mot operatören. BAKÅTKAST KAN LEDA TILL ALLVARLIG PERSONSKADA. Undvik BAKÅTKAST genom att hålla bladet slipat, genom att hålla parallellanslaget parallellt mot bladet, genom att hålla spaltkniven och klingskyddet på dess rätta plats och i fungerande skick, genom att inte släppa arbetsstycket förrän du fört det hela vägen förbi sågbladet och genom att inte kapa ett arbetsstycke som är vridet eller skevt eller som inte har en rak kant som leder arbetsstycket längs anslaget.
27. Utför aldrig sågning på frihand. Frihand innebär att använda händerna för att stödja eller leda arbetsstycket istället för ett parallellanslag eller ett geringsanslag.
28. Sträck dig ALDRIG runt eller över sågbladet. Sträck dig aldrig efter ett arbetsstycke förrän sågbladet stannat helt.
29. Undvik snabb eller häftig frammatning av arbetsstycket. Mata fram arbetsstycket så långsamt som möjligt vid sågning av hårda arbetsstycken. Böj eller vrid inte arbetsstycket när det matas. Stäng genast av maskinen om sågbladet kläms eller kör fast i arbetsstycket. Dra ur maskinens kontakt ur vägguttaget. Lossa sedan sågbladet från arbetsstycket.
30. Avlägsna aldrig avsågade bitar som ligger nära sågbladet och vidrör inte klingskyddet när sågbladet snurrar.
31. Ta bort lösa utväxter från arbetsstycket INNAN du börjar såga.
32. Misshandla inte nätsladden. Böj aldrig i sladden när du drar ur den från uttaget. Håll sladden borta från värme, olja, vatten och vassa kanter.
33. Visst damm som skapas vid användning innehåller kemikalier som kan orsaka cancer, födelsedefekter eller annan skada vid fortplantning. Några exempel på dessa kemikalier är:
  - bly från material målat med blybaserad färg och
  - arsenik och krom från kemiskt behandlat virke.
  - Risken för exponering varierar beroende på hur ofta du utför denna typ av arbete. För att minska risken för exponering av dessa kemikalier: arbeta i ett välventilerat område och arbeta med godkänd säkerhetsutrustning som till exempel dammask vilken skapats speciellt för filterning av mikroskopiska partiklar.
34. Anslut verktyget till en anordning för dammuppsamling innan sågning.
35. Skyddet kan lyftas upp när arbetsstycket installeras och för enkel rengöring. Se alltid till att klingskyddet är nerfällt och jämnt mot sågbordet innan verktyget kopplas in.

## SPARA DESSA ANVISNINGAR.



# INSTALLATION

## Placering av bordssåg

- **Fig.1:** 1. Håldiameter 8 mm
- **Fig.2:** 1. 6 mm standardbricka 2. Nr.10 träskruv, minimal längd 40 mm
- **Fig.3:** 1. 6 mm standardbricka 2. 6 mm monteringsbult och mutter hårt åtdragna

Placera bordsågen på en väl upplyst och jämn plats där du kan stå stadigt med bra balans. Platsen bör ha tillräckligt med fritt utrymme så att arbetsstycken av den storlek du arbetar med lätt kan hanteras. Bordsågen skall fästas med fyra skruvar eller bultar till arbetsbordet eller bordsågens benställning i de hål som finns i bordsågens underdel. Om bordsågen fästs i ett arbetsbord bör du se till att det finns en öppning i arbetsbordet som är lika stor som öppningen på bordsågens underdel, så att sågspån kan falla igenom. Om du under drift märker att bordsågen håller på att falla omkull, glida eller flytta sig bör arbetsbordet eller bordsågens benställning fästas i golvet.

## Förvaring av tillbehör

- **Fig.4:** 1. Matarpinne
- **Fig.5:** 1. Parallellanslag (anslagsskena) 2. Geringsanslag

Matarpinne, vinkelhake, sågblad och skiftnycklar kan förvaras på sågbordets vänstra sida, och parallellanslaget och geringsanslaget kan förvaras på den högra sida.

# FUNKTIONSBESKRIVNING

## ⚠ FÖRSIKTIGT:

- Se alltid till att maskinen är avstängd och nätsladden urdragen innan du justerar eller funktionskontrollerar maskinen.

## Inställning av sågdjup

- **Fig.6:** 1. Handtag

Sågdjupet kan justeras genom att vrida handtaget. Vrid handtaget medurs för att höja bladet eller moturs för att sänka det.

## OBS:

- Ställ in ett yttligare sågdjup vid sågning i tunna material för att erhålla en renare sågning.

## Justering av vinkeln vid vinkelsågning

- **Fig.7:** 1. Pilmärkning 2. Låsknapp

Lossa låsspaken moturs och vrid handvredet tills önskad vinkel (0° - 45°) erhålls. Pilmärkingen indikerar inställd vinkel.

Dra åt låsspaken medurs för att säkra justeringen efter att den önskade vinkeln är inställd.

## ⚠ FÖRSIKTIGT:

- Se till att dra åt låsspaken efter att vinkeln justerats.

## Justering av fasta stopplägen

- **Fig.8:** 1. 90° justeringssskruv 2. 45° justeringssskruv

- **Fig.9**

Maskinen är utrustad med fasta stopplägen vid 90° och 45° mot bordsytan. Gör enligt följande för att kontrollera och justera de fasta stopplägena:

Vrid handvredet så långt det går. Placera en vinkelhake på bordet och kontrollera om sågbladet är i 90° eller 45° mot bordsytan. Om bladet är i vinkeln som visas i fig. A, vrider du justeringssskruvarna medurs. Om bladet är i vinkeln som visas i fig. B vrider du justeringssskruvarna moturs för att justera de fasta stopplägena.

Efter att du justerat de fasta stopplägena ställer du in bladet i 90° mot bordsytan. Justera därefter pilmärkingen så att dess högra kant ligger i rak linje mot 0°-graderingen.

- **Fig.10:** 1. Pilmärkning

## Avtryckarens funktion

### ⚠ FÖRSIKTIGT:

- Ta bort arbetsstycket från bordet.
- Stäng av maskinen och tryck sedan på omstartsknappen.
- Se alltid till att maskinen är avstängd innan du ansluter maskinen till elnätet.

## För maskin med knappströmbrytare

- **Fig.11:** 1. Strömbrytare 2. Återstartknapp

Tryck på knappen ON ( I ) för att starta maskinen.

Tryck på knappen OFF ( O ) för att stoppa den.

## För maskin med reglageströmbrytare

- **Fig.12:** 1. Strömbrytare 2. Återstartknapp

Höj strömbrytarens reglage för att starta maskinen.

Sänk strömbrytarens reglage för att stoppa maskinen.

## Slagbord (H)

- **Fig.13:** 1. Skruvar

- **Fig.14:** 1. Slagbord (H)

Med denna maskin medföljer slagbordet (R) på höger sida om arbetsbordet. För att använda slagbordet (R) lossar du de två skruvarna moturs på höger sida, drar ut bordet (R) helt och drar sedan åt de två skruvarna för att säkra fast det.

## Slagbord (bak)

- **Fig.15:** 1. Skruvar 2. Slagbord (bak)

För att använda slagbordet (bak) lossar du på skruvarna på vänster och höger sida under bordet och drar ut den bakåt till önskad position. Dra åt skruven vid önskad position.

## Skjutbord

- **Fig.16:** 1. Skjutbord 2. Låsplatta

### ⚠ FÖRSIKTIGT:

- Se till att låsa skjutbordet genom att flytta låsplattan till vertikalt läge, efter användning av skjutbordet.

Denna maskin är försedd med skjutbordet på vänster sida. Skjutbordet kan glida framåt och bakåt. Sväng

läsplattorna på bak- och framsidan till horisontalt läge, innan bordet används.

Håll stadigt fast arbetsstycket med geringsanslaget genom att använda klämman på geringsanslaget, och skjut därefter ihop arbetsstycket med skjutbordet när sågningen ska påbörjas.

## MONTERING

### **FÖRSIKTIGT:**

- Se alltid till att maskinen är avstängd och nätsladden urdragen innan maskinen repareras.

Maskinen levereras från fabrik med sågbladet och klingskyddet i omonterat skick. Montera enligt följande:

### Montering eller borttagning av sågblad

#### **FÖRSIKTIGT:**

- Kontrollera alltid att maskinen är avstängd och att nätkabeln är utdragen innan sågbladet monteras eller tas bort.
- Använd endast medföljande hylsnyckel från Makita för att montera eller ta bort sågbladet. Om inte detta görs kan det leda till att sexkantsbulten dras åt för hårt eller för löst, vilket kan orsaka skada.
- Använd följande sågblad. Använd inte sågblad som inte överensstämmer med de specifikationer som ges i denna bruksanvisning.

För modell	Max. diam.	Min. diam.	Bladtjocklek	Snittbredd
MLT100	260 mm	230 mm	1,8 mm eller mindre	2 mm eller mer

#### **FÖRSIKTIGT:**

- Kontrollera diametern på sågbladets axelhål innan det monteras. Använd alltid korrekt insatsring för axelhålet på det sågblad du skall använda.

- **Fig.17:** 1. Skruvnyckel 2. Skruvnyckel  
3. Sexkantmutter

Ta bort arbetsbordets insats. Håll den yttre flänsen med den ena skiftnyckeln och lossna sexkantsmuttern moturs med den andra skiftnyckeln. Ta sedan bort den yttre flänsen.

- **Fig.18:** 1. Innerfläns 2. Ring 3. Sågblad 4. Yttre fläns 5. Sexkantmutter

Montera den inre flänsen, insatsringen, sågbladet, yttre flänsen och sexkantsmuttern på axeln och se till att bladets tänder pekar nedåt vid bordets framända. Montera alltid sexkantsmuttern med dess försänkta sida riktad mot den yttre flänsen.

### För alla länder utanför Europa

#### **FÖRSIKTIGT:**

- Ringen med en yttre diameter på 25,4 mm är fabriksmonterad på spindel.

### För länder i Europa

#### **FÖRSIKTIGT:**

- Insatsringen med en yttre diameter på 30 mm har fabriksmonterats mellan den inre och yttre flänsen.
- Håll flänsens yta ren från smuts och annat främmande material, annars kan det hända att sågbladet glider. Se till att bladet monteras så att tänderna ligger i linje i sågningsriktningen.

För att fästa sågbladet på plats håller du i den yttre flänsen med den uppböjda hålnyckel, drar sedan åt sexkantsmuttern medurs med skiftnyckeln. SE TILL ATT DRA ÅT SEXKANTMUTTERN ORDENTLIGT.

- **Fig.19:** 1. Skruvnyckel 2. Skruvnyckel

#### **FÖRSIKTIGT:**

- Håll sexkantsmuttern försiktigt med skiftnyckeln. Om ditt grepp slinter, kan det hända att skiftnyckeln slinter och din hand träffar bladets vassa kant.

### Montering av klingskydd

- **Fig.20:** 1. Klingskydd 2. Spaltkniv 3. monteringsdel klingskydd (stötta)

- **Fig.21:** 1. Klingskydd 2. Spaltkniv

#### **FÖRSIKTIGT:**

- Innan klingskyddet monteras bör du höja upp sågdjupet maximalt.

### För klingskydd utanför Europa

Ta bort mitthöljet. Montera spaltkniven i klingskyddets monteringsdel (stötta). Dra åt sexkantsbultarna (A) med hjälp av medföljande skiftnyckel.

### För klingskydd i Europa

- **Fig.22:** 1. Klingskydd 2. Spaltkniv

- **Fig.23:** 1. Klingskydd 2. Spaltkniv

Ta bort mitthöljet. Montera spaltkniven i klingskyddets monteringsdel (stötta). Dra åt sexkantsbultarna (A) med hjälp av medföljande skiftnyckel. Placera klingskyddet i spaltknivens spår. Fäst klingskyddet genom att svänga reglaget på klingskyddet.

### För klingskydd både i och utanför Europa

Spaltknivens monteringsplats är fabriksinställd så att sågbladet och spaltkniven befinner sig i en rak linje. Om de inte är i en rak linje kan du lossa på sexkantsbultarna (B) och justera klingskyddets monteringsdel (stötta) så att spaltkniven ligger i rak linje bakom bladet. Dra sedan åt sexkantsbultarna (B) för att fästa stötten.

- **Fig.24:** 1. Kniv 2. Dessa två frigångsavstånd skall vara lika stora. 3. monteringsdel klingskydd (stötta) 4. Spaltkniv 5. Sexkantsbultar (A) 6. Sexkantsbultar (B)

### **⚠ FÖRSIKTIGT:**

- Om bladet och spaltkniven inte är korrekt inriktade, kan arbetsstycket klämmas fast under drift. Kontrollera att de är korrekt inriktade. Du kan skada dig allvarligt om du använder maskinen när spaltkniven inte är korrekt inriktad.
- Utför ALDRIG justeringar när maskinen är igång. Koppla från maskinen innan justeringar utförs.
- Ta inte bort klyvkniven.

#### ► Fig.25: 1. Klingskydd 2. Spaltkniv

Det måste finnas ett mellanrum på cirka 4 – 5 mm mellan spaltkniven och sågklingans tänder. Lossa sexkantsbultarna (A), justera därefter spaltkniven och dra åt sexkantsbultarna (A) ordentligt. Montera bordsinsatsen på arbetsbordet, kontrollera sedan att klingskyddet fungerar smidigt innan du sågar.

## Montering och justering av parallellanslag

#### ► Fig.26: 1. Spak

Montera parallellanslaget så att dess fästankordning passar in i den närmsta löpskenan.

För att fästa parallellanslaget vrider du fästankordningens låsspak helt.

Kontrollera att parallellanslaget är parallellt med sågbladet genom att först låsa parallellanslaget 2 - 3 mm från bladet. Hög sågbladet till dess högsta läge. Märk en sågtand med en krita. Mät avståndet (A) och (B) mellan parallellanslaget och sågbladet. Utför båda mätningarna med hjälp av den kritmärkta sågtanden. Dessa två mått skall vara identiska. Gör enligt följande om inte parallellanslaget är parallellt med sågbladet:

#### ► Fig.27: 1. Skala

#### ► Fig.28: 1. Sexkantsbultar

1. Fäst parallellanslaget genom att sänka låsspaken på den.
2. Lossa de två sexkantsbultarna på parallellanslaget med hjälp av medföljande insexnyckel.
3. Justera parallellanslaget tills det hamnar parallellt med sågbladet.
4. Dra åt de två sexkantsbultarna på parallellanslaget.

#### ► Fig.29

### **⚠ FÖRSIKTIGT:**

- Se till att justera parallellanslaget så att det är parallellt med sågbladet, annars kan bakåtkast ske vid drift.

För parallellanslaget så att det ligger an mot sågbladet. Se till att pilmarkeringen på parallellanslagets fästankordning pekar på 0-graderingen. Lossa skruven på måttskivan och justera måttskivan om pilmarkeringen inte pekar på 0-graderingen.

#### ► Fig.30: 1. Riktlinje 2. Skruv

## Anslutning till dammsugare

#### ► Fig.31

Renare sågning kan utföras genom att ansluta maskinen till en dammsugare eller dammupsamlare från Makita.

## ANVÄNDNING

### **⚠ FÖRSIKTIGT:**

- Använd alltid "arbetshjälp" så som matarpinnar och matarblock när det föreligger risk för att dina händer eller fingrar kommer i närheten av sågbladet.
- Håll alltid fast arbetsstycket stadigt med hjälp av arbetsbordet och parallellanslaget eller geringsanslaget. Böj eller vrid inte arbetsstycket när det matas. Om det böjs eller vrids kan farliga bakåtkast ske vid drift.
- Dra ALDRIG tillbaka arbetsstycket medan sågbladet snurrar. Om du måste dra tillbaka arbetsstycket innan sågningen är genomförd, stänger du första av maskinen samtidigt som du håller stadigt i arbetsstycket. Vänta tills sågbladet har stannat helt innan du drar bort arbetsstycket. I annat fall kan farliga bakåtkast ske.
- Avlägsna ALDRIG avsågade bitar medan sågbladet snurrar.
- Placera ALDRIG dina händer eller fingrar i sågbladets rörelseriktning. Var speciellt försiktig vid vinkelsågning.
- Lås alltid fast parallellanslaget ordentligt annars kan farliga bakåtkast ske.
- Använd alltid "arbetshjälp" såsom matarpinnar och matarblock vid sågning av små eller smala arbetsstycken.

## Arbetshjälp

Matarpinnar, matarblock och extra anslag är olika typer av "arbetshjälp". Använd dem för att utföra säkra sågningar utan att operatören kommer i kontakt med sågbladet med någon del av sin kropp.

## Matarblock

#### ► Fig.32: 1. Passbit 2. Handtag 3. Träskruv 4. Limma samman

Använd en bit plywood 19 mm tjock. Handtaget skall befinna sig i mitten av plywoodbiten. Fäst med lim och träskruvar enligt figuren. En liten bit trä på 9,5 mm x 8 mm x 50 mm måste alltid limmas på plywoodbiten för att förhindra att sågbladet vibrerar om operatören sågar i matarblocket av misstag. (Använd aldrig spik i matarblock).

## Extra anslag

#### ► Fig.33: 1. Passbit

Gör extra anslag av plywoodbitar på 9,5 mm och 19 mm.

## Klyvsågning

### ⚠ FÖRSIKTIGT:

- Ta bort geringsanslaget från arbetsbordet vid klyvsågning.
- Se alltid till att ha lämpligt stöd för arbetsstycket på baksidan av arbetsbordet vid sågning av långa eller stora stycken. LÅT INTE en lång skiva flytta sig längs arbetsbordet. Detta gör så att sågbladet fastnar och ökar möjligheten för bakåtkast och personskador. Stödet skall vara av samma höjd som arbetsbordet.

1. Justera sågdjupet till något större än arbetsstyckets tjocklek.

#### ► Fig.34

2. Placera parallellanslaget till önskad bredd och lås fast det genom att vrida handtaget.
3. Starta maskinen och mata försiktig in arbetsstycket i sågbladet längs parallellanslaget.

- (1) När klyvningens bredd är 150 mm eller mer använder du försiktigt din högra hand för att mata arbetsstycket. Använd vänster hand för att hålla arbetsstycket på plats längs parallellanslaget.

#### ► Fig.35

- (2) När klyvningens bredd är 65 mm - 150 mm använder du matarpinnen för att mata arbetsstycket.

#### ► Fig.36: 1. Matarpinne

- (3) När klyvningen är smalare än 65 mm, kan inte matarpinnen användas eftersom den kommer att slå mot klingskyddet. Använd det extra anslaget och matarblock. Montera det extra anslaget på parallellanslaget med två "C-klämmor".

#### ► Fig.37: 1. Extra anslag

Mata arbetsstycket med handen tills änden är cirka 25 mm från arbetsbordets främre kant. Fortsätt mata med hjälp av matarblocket ovanpå det extra anslaget till sågningen genomförts.

#### ► Fig.38: 1. Matarblock 2. Extra anslag

## Tvårsågning

### ⚠ FÖRSIKTIGT:

- Ta bort parallellanslaget från arbetsbordet vid tvårsågning.
- Se alltid till att ha lämpligt stöd för arbetsstycken på arbetsbordets sidor vid sågning av långa eller stora stycken. Stödet skall vara av samma höjd som arbetsbordet.
- Håll alltid händerna borta från bladets såglinje.

## Geringsanslag

- Fig.39: 1. Tvårsågning 2. Geringsågning 3. Vinkelsågning 4. Sammansatt geringsågning (vinklar)

Använd geringsanslaget vid de fyra olika sågningarna som visas i figuren.

### ⚠ FÖRSIKTIGT:

- Dra åt vredet på geringsanslaget ordentligt.
- Undvik att arbetsstycket och anslaget kryper genom att hålla stadigt i dem, speciellt vid sågning i vinklar.
- Håll ALDRIG i den del av arbetsstycket som ska sågas av.
- Justera alltid avståndet mellan änden på geringsanslaget och sågbladet så att det inte överstiger 15 mm.

## Användning av geringsanslag

#### ► Fig.40: 1. Geringsanslag 2. Vred

Skjut in geringsanslaget i sågbordets breda spår. Lossa vredet på anslaget och ställ in önskad vinkel (0° till 60°). Håll arbetsstyckets bakre del dikt an mot anslaget och skjutbordet, fäst det med klämman på geringsanslaget och mata långsamt mot klingan.

## Extra träfodring (geringsanslag)

#### ► Fig.41

För att förhindra att långa brädor vibrerar monterar du ett extra anslag på geringsanslaget. Fäst med bultar/muttrar i borrade hål. Fästena får inte skjuta ut från anslaget.

## Bära maskinen

#### ► Fig.42

Se till att maskinens nätsladd är utdragen. Bär maskinen genom att hålla enligt figuren.

### ⚠ FÖRSIKTIGT:

- Fäst alltid alla rörliga delar innan du bär maskinen.
- Kontrollera alltid att klingskyddet är monterat på plats innan du bär maskinen.

## UNDERHÅLL

### ⚠ FÖRSIKTIGT:

- Se alltid till att maskinen är avstängd och nätkabeln utdragen innan inspektion eller underhåll utförs.

#### OBES:

- Använd inte bensin, thinner, alkohol eller liknande. Missfärgning, deformation eller sprickor kan uppstå.

## Rengöring

Torka då och då bort damm och sågspån. Rengör klingskyddet och rörliga delar inuti bordsågen noggrant.

## Smörjning

Olja och fetta in rörliga och roterande delar då och då för att hålla maskinen i trim och för att säkerställa maskinens maximala livslängd.

Platser som skall smörjas:

- Gängad axel för upphöjning av bladet
- Ramens roteringsanordning
- Ledaxlar för höjning av motorn
- Kugghjul för höjning av sågbladet

## Byte av kolborstar

### ► Fig.43

Ta bort och kontrollera kolborstarna regelbundet. Byt dem när de är nedslitna till 3 mm längd. Håll kolborstarna rena så att de lätt kan glida in i hållarna. Båda kolborstarna ska bytas ut samtidigt. Använd endast identiska kolborstar.

### ► Fig.44: 1. Kolhållarlock 2. Skruvmejsel

Använd en skruvmejsel för att ta bort locken till kolborstarna. För att byta ut kolborstarna, ta bort klingskyddet och sågbladet och lossa sedan på låsspaken och vippa såghuvudet och lås det i 45° vinkel. Lägg försiktigt maskinen med baksidan nedåt. Lossa därefter på kolhållarlocket. Ta ur de utslitna kolborstarna, montera nya och fäst kolhållarlocken.

För att upprätthålla produktens SÄKERHET och TILLFÖRLITLIGHET bör allt underhålls- och justeringsarbete utföras av ett auktoriserat Makita servicecenter och med reservdelar från Makita.

## VALFRIA TILLBEHÖR

### FÖRSIKTIGT:

- Dessa tillbehör och tillsatser rekommenderas för användning tillsammans med den Makita-maskin som denna bruksanvisning avser. Om andra tillbehör eller tillsatser används kan det uppstå risk för personskador. Använd endast tillbehören eller tillsatserna för de syften de är avsedda för.

Kontakta ditt lokala Makita servicecenter om du behöver ytterligare information om dessa tillbehör.

- Parallellanslag
- Geringsanslag
- Skruvnyckel 24
- Insexnyckel 5
- Adapter (för anslutning till spånuppsamlare)
- Stativsats

### OBS:

- Några av tillbehören i listan kan vara inkluderade i maskinpaketet som standardtillbehör. De kan variera mellan olika länder.

## TEKNISKE DATA

Modell		MLT100	
		(for land i Europa)	(for land utenfor Europa)
Spindelhull		30 mm	25 mm og 25,4 mm
Bladdiameter		260 mm	255 mm
Knivbladtykkelse		1,9 mm eller mindre	
Maks. Skjærekapasitet	90°	93 mm	90,5 mm
	45°	64 mm	63 mm
Hastighet uten belastning (min <sup>-1</sup> )		4 300	
Bordstørrelse (H x B)		(685 mm - 835 mm) x (955 mm - 1 305 mm) med tilleggsbord (R) og (tilbake)	(685 mm - 835 mm) x (955 mm - 1 305 mm) med tilleggsbord (R) og (tilbake)
Mål (L x B x H) når bordet(-ene) ikke er trukket ut		726 mm x 984 mm x 333 mm med tilleggsbord (R) og (tilbake)	726 mm x 984 mm x 333 mm med tilleggsbord (R) og (tilbake)
Nettovekt		34,1 kg	34,1 kg
Sikkerhetsklasse		□/II	

- Som følge av vårt kontinuerlige forsknings- og utviklingsprogram kan de tekniske dataene endres uten ytterligere forvarsel.
- Tekniske data kan variere fra land til land.
- Vekt i henhold til EPTA-prosedyre 01/2003

## Symboler

Nedenfor ser du symbolene som brukes for dette utstyret. Forviss deg om at du forstår hva de betyr, før du begynner å bruke maskinen.



Les bruksanvisningen.



DOBBEL ISOLERING



Bruk vernebriller.



Ikke legg hender eller fingre nær sagbladet.



Kun for EU-land  
Kast aldri elektroutstyr i husholdningsavfallet!  
I henhold til EU-direktivet om kasserte elektriske og elektroniske produkter og direktivets iverksettning i nasjonal rett, må elektriske produkter som ikke lenger skal brukes, samles separat og returneres til et miljøvennlig gjenvinningsanlegg.

### Beregnet bruk

Denne maskinen er laget for å skjære i tre.

### Strømforsyning

Maskinen må bare kobles til en strømkilde med samme spenning som vist på typeskiltet, og kan bare brukes med enfase-vekselstrømforsyning. Den er dobbelt verneisoleret og kan derfor også brukes fra kontakter uten jording.

### Støy

Typisk A-vektet lydtrykknivå er bestemt i henhold til EN61029:

Lydtrykknivå (L<sub>PA</sub>): 92 dB (A)

Lydeffektnivå (L<sub>WA</sub>): 105 dB (A)

Usikkerhet (K): 3 dB (A)

### Bruk hørselvern

## EFs samsvarserklæring

### Gjelder kun for land i Europa

EFs samsvarserklæring er lagt til som vedlegg A i denne bruksanvisningen.

## Generelle advarsler angående sikkerhet for elektroverktøy

**⚠ ADVARSEL Les alle sikkerhetsadvarslene og alle instruksjonene.** Hvis du ikke følger alle advarslene og instruksjonene som er oppført nedenfor, kan det føre til elektriske støt, brann og/eller alvorlige helseskader.

**Oppbevar alle advarsler og instruksjoner for senere bruk.**

## YTTERLIGERE SIKKERHETSREGLER FOR MASKINEN

## TA VARE PÅ DISSE INSTRUKSENE.

1. **Bruk hørselsvern.**
2. **Ikke bruk maskinen i nærheten av brennbare væsker eller gasser.**

3. **Bruk ALDRI maskinen med en ru avskjærskive.**
4. Før du begynner å bruke maskinen, må du kontrollere nøye at bladet ikke har sprekker eller andre skader. Skift ut sprukne eller ødelagte blader omgående.
5. **Bruk kun sagblader som anbefales av produsenten og som er i samsvar med EN847-1, og merk deg at kløyvekniven ikke må være tykkere enn bredden på kuttet fra sagbladet og ikke tynnere enn selve bladet.**
6. **Bruk alltid utstyr anbefalt i denne håndboken. Bruk av upassende utstyr som røe avskjærskiver kan føre til personskader.**
7. **Velg riktig sagblad for materialet som skal skjæres.**
8. **Ikke bruk sagblader som er laget av høyhastighetsstål.**
9. **Pass alltid på at bladet er skarpt og rent for å redusere lydutslipp.**
10. **Bruk riktig kvessede sagblader. Hold deg til maksimum hastighet som merket på sagbladet.**
11. **Rengjør og pass på å ikke ødelegge spindelen, flensene (særlig monteringsflaten) og hexskruen før installering av bladet. Dårlig installering kan føre til vibrering/vingling eller at bladet gli.**
12. **Bruk sagbladvern og kløyvekniv for hver jobb den kan brukes til, inkludert all gjennomsaging. Installer alltid bladvernet etter instruksjonene som skisseres i denne håndboken. Gjennomsagingsjobber er de jobbene hvor bladet skjærer helt igjennom arbeidsstykket som ved kløyving eller kryssskjæring. Bruk ALDRI maskinen med et mangelfullt bladvern eller sikre bladet med et tau, en tråd osv. Envher uregelmessighet i bladvernene bør rettes opp omgående.**
13. **Sett vernet og kløyvekniven på igjen med det samme etter at du er ferdig med en jobb som krever at du fjerner vernet.**
14. **Ikke skjær metallobjekter som spiker og skruer. Se etter og fjern all spiker og andre fremmedlegemer fra arbeidsområdet før arbeidet påbegynnes.**
15. **Fjern skiftnøkler, avskjær osv. fra bordet før du slår på bryteren.**
16. **bruk ALDRI hansker under arbeidet.**
17. **Hold hendene unna banen til sagbladet.**
18. **Du må ALDRI stå eller la andre stå i linje med banen til sagbladet.**
19. **Forviss deg om at bladet ikke er i kontakt med kløyvekniven eller arbeidsstykket før startbryteren slås på.**
20. **Før du begynner å bruke maskinen på et arbeidsstykke, bør du la den gå en liten stund. Se etter vibrasjoner eller vingling som kan tyde på at bladet er dårlig balansert.**
21. **Maskinen må ikke brukes til å lage spor, å lage falser eller noting.**
22. **Bytt ut bordinnskuddet når det er slitt.**
23. **Juster ALDRI mens maskinen er i gang. Koble fra maskinen før du justerer noe som helst.**
24. **Bruk en skyvepinne når det trengs. Skyvepinner MÅ brukes n år man kløyver smale arbeidsstykker slik at man holder hendene og fingrene unna bladet.**
25. **Når du ikke bruker skyvepinnen må du alltid legge den bort.**
26. **Legg ekstra godt merke til instruksjonene for å redusere risiko for at maskinen SLÅR TILBAKE MOT OPERATØREN. TILBAKESLAG er en plutselig reaksjon på et klemt, fastsittende eller feiljustert sagblad. Dette fører til at arbeidsstykket kastes tilbake i retning av operatøren. TILBAKESLAG KAN FØRE TIL ALVORLIG PERSONSKADE. Unngå TILBAKESLAG ved å holde bladet skarpt, ved å holde parallellanlegget parallelt med bladet, ved å holde kløyvekniven og bladvernet på plass og i skikkelig stand, ved å la være å slippe arbeidsstykket til du har dyttet det helt forbi bladet, og ved ikke å kløyve et arbeidsstykke som er vridd eller bøyd eller som ikke har rette kanter som kan føres langs parallellanlegget.**
27. **Utfør aldri en jobb på frihånd. Frihånd betyr at du bruker hendene til å støtte eller føre arbeidsstykket isteden for et parallellanlegg eller en gjæringsmåler.**
28. **Strekk deg aldri rundt eller over sagbladet. Strekk deg ALDRI etter et arbeidsstykke til sagbladet har stoppet helt.**
29. **Unngå plutselig, rask mating. Mat så sakte som mulig når du skjærer harde arbeidsstykker. Ikke bøy eller vri arbeidsstykket når du mater. Slå av maskinen omgående hvis bladet stopper eller setter seg fast i arbeidsstykket. Koble fra maskinen. Fjern så den fastkjørte biten.**
30. **Fjern ALDRI avskjær i nærheten av bladet og ta aldri på bladvernet mens bladet er i gang.**
31. **Slå ut alle løse kvister fra arbeidsstykket FØR du begynner å skjære.**
32. **Ikke misbruk strømkabelen. Det er aldri nødvendig å bruke makt når maskinen brukes. Hold strømkabelen unna varme, olje, vann og skarpe kanter.**
33. **Noen typer støv som produseres ved bruk inneholder kjemikalier som er kjent for å forårsake kreft, fosterskader eller annen reproduktiv skade. Noen eksempler på disse kjemikalierne er:**
  - bly fra materialer malt med blybasert maling og,
  - arsenikk og krom fra kjemisk behandlet tømmer.
  - Din risiko fra denne utsettelsen varierer, etter som hvor ofte du gjør denne typen arbeid. For å redusere utsettelsen for disse kjemikalierne: arbeid i et godt ventilert område og arbeid med godkjent sikkerhetsutstyr, som de støvmaskene som er utarbeidet spesielt for å filtrere ut mikroskopiske partikler.
34. **Koble maskinen til et støvoppsamlingsapparat når du sager.**
35. **Vernet kan løftes når man setter opp arbeidsstykket slik at det er lettere å gjøre rent. Pass alltid på at lokket på vernet er nede og flatt mot sagbordet før du kobler til maskinen.**

## TA VARE PÅ DISSE INSTRUKSENE.

### MONTERING

#### Plassere bordsag

- **Fig.1:** 1. Hulldiameter 8 mm
- **Fig.2:** 1. 6 mm standardskive 2. Nr. 10 treskrue 40 mm min. lengde
- **Fig.3:** 1. 6 mm standardskive 2. 6 mm monterings-skrue og -mutter, stram godt



Plasser bordsagen i et godt opplyst og jevnt område hvor du har godt foffeste og god balanse. Den må monteres i et område som har nok plass til størrelsen på arbeidsemnene du jobber med. Bordsagen må sikres i arbeidsbenken eller bord-sagstativet med fire skruer eller bolter. Bruk hullene på bunnen av saken. Når du sikrer bordsagen i arbeidsbenken, må du passe på at det er en åpning i toppen av arbeidsbenken på samme størrelse som åpningen i bunnen av bordsagen slik at sagmuggen kan falle ut. Hvis saken tenderer til å vippe under drift, må arbeidsbenken eller sagstativet festes til gulvet.

## Oppbevare tilbehør

- **Fig.4:** 1. Støtstang
- **Fig.5:** 1. Parallellanlegg (føringslinjal)  
2. Gjæringsmåler

Skyvepinnen, trekantlinjalen, bladet og skrunøklene kan oppbevares på venstre side av foten, og parallellanlegget og gjæringsmåleren kan oppbevares på høyre side av foten.

## FUNKSJONS BESKRIVELSE

### ⚠ **FORSIKTIG:**

- Forviss deg alltid om at maskinen er slått av og støpselet trukket ut av kontakten før du justerer maskinen eller kontrollerer dens mekaniske funksjoner.

## Justere skjæredybden

- **Fig.6:** 1. Håndtak

Skjæredybden kan justeres ved å dreie på hendelen. Drei hendelen med klokken for å heve bladet eller mot klokken for å senke det.

### **MERK:**

- Bruk en kort dybdeinnstilling når du sager i tynne materialer for å få et renere kutt.

## Justere skråvinkelen

- **Fig.7:** 1. Pilpeker 2. Låsehendel

Løsne sperrespaken mot klokken og drei håndhjulet til ønsket vinkel (0° - 45°) er oppnådd. Skråvinkelen vises av pilmarkøren. Når du har oppnådd ønsket vinkel, må du stramme sperrespaken med klokken for å sikre justeringen.

### ⚠ **FORSIKTIG:**

- Etter at du har justert skråvinkelen, må du stramme sperrespaken godt.

## Justere klikkstopper

- **Fig.8:** 1. 90° justeringsskrue 2. 45° justeringsskrue
- **Fig.9**

Sagen er utstyrt med klikkstopper i 90° og 45° vinkel til bordflaten. Gå frem på følgende måte for å sjekke og justere klikkstopperne: Drei håndhjulet så langt som mulig. Sett en trekantlinjal på bordet og sjekk om bladet er i 90° eller 45° til bordflaten. Hvis bladvinkelen er som vist i fig. A, må du drie justeringsskruene med klokken. Er den som vist i fig. B, må du drie justeringsskruene mot klokken for å justere klikkstopperne.

Når du har justert klikkstopperne, må du sette bladet i 90° til bordflaten. Juster pilen slik at høyrekanten tilpasses til 0°-streken.

- **Fig.10:** 1. Pilpeker

## Bryterfunksjon

### ⚠ **FORSIKTIG:**

- Fjern arbeidsemnet fra bordet.
- Slå av maskinen og trykk deretter inn omstartknappen.
- Før du setter støpselet inn i kontakten, må du alltid forvise deg om at verktøyet er slått av.

## For maskin med knapp som bryter

- **Fig.11:** 1. Bryter 2. Omstartsknapp

Trykk på "ON (I)"-knappen for å starte saken. Stopp det ved å trykke på OFF (O)-knappen.

## For maskin med spak som bryter

- **Fig.12:** 1. Bryter 2. Omstartsknapp

Hev bryterspaken for å starte maskinen. Senk spaken for å stoppe den.

## Tilleggsbord (R)

- **Fig.13:** 1. Skruer
- **Fig.14:** 1. Tilleggsbord (R)

Dette verktøyet er utstyrt med underbord (R) på høyre side av hovedbordet. For å bruke underbordet (R) må du løsne to skruer på høyre side mot klokken, trekke ut bordet (R) helt og deretter stramme de to skruene for å feste det.

## Tilleggsbord (bak)

- **Fig.15:** 1. Skruer 2. Tilleggsbord (bak)

Når du skal bruke tilleggsbordet (bak), løsner du skruene på venstre og høyre side under bordet og trekker det ut bakover til ønsket lengde. Trekk deretter til skruene godt.

## Skyvebord

- **Fig.16:** 1. Skyvebord 2. Låseplate

### ⚠ **FORSIKTIG:**

- Etter at du har brukt skyvebordet, må du passe på å låse det ved å sette låseplaten i vertikal stilling.

Dette verktøyet leveres med skyvebordet på venstre side. Skyvebordet glir frem og tilbake. Drei låseplatene på baksiden og forsiden i horisontal stilling før du bruker det. Hold arbeidsstykket godt fast med gjæringsmåleren ved hjelp av en klemme på gjæringsmåleren, og skyv arbeidsstykket sammen med skyvebordet når sagingen skal begynne.

## MONTERING

### ⚠ **FORSIKTIG:**

- Forviss deg alltid om at maskinen er slått av og støpselet trukket ut av kontakten før du utfører noe arbeid på maskinen.

Når saken sendes fra fabrikk, er ikke sagbladet og bladvernet montert. Sett sammen på følgende måte:



## Montere eller demontere sagblad

### **⚠FORSIKTIG:**

- Forviss deg alltid om at maskinen er slått av og støpselet trukket ut av kontakten før du monterer eller demonterer bladet.
- Bruk bare pipenøkkelen fra Makita til å montere eller demontere bladet. Gjør du ikke det, kan det føre til at sekskantskruen strammes for mye eller for lite. Dette kan føre til skader.
- Bruk følgende sagblad. Ikke bruk sagblader som ikke samsvarer med karakteristikken som er spesifisert i denne instruksjonsboken.

For modell	Maks. dia.	Min. dia.	Bladtykkelse	Snitt
MLT100	260 mm	230 mm	1,8 mm eller mindre	2 mm eller mer

### **⚠FORSIKTIG:**

- Sjekk spindelhulldiameteren for bladet før du monterer det. Bruk alltid riktig ring for spindelhulldiameteren på bladet du vil bruke.

- **Fig.17:** 1. Skrunøkkel 2. Skrunøkkel  
3. Sekskantmutter

Fjern bordinnsatsen på bordet. Hold den ytre flensen med skrunøkkelen og bruk skrunøkkelen til å løse sekskantmutteren mot klokken. Ta deretter av den ytre flensen.

- **Fig.18:** 1. Indre flens 2. Ring 3. Sagblad 4. Ytre flens 5. Sekskantmutter

Sett sammen den indre flensen, ringen, sagbladet, den ytre flensen og sekskantmutteren på spindelen, og forsikre deg om at sagbladtennene vender ned foran på bordet. Du må alltid montere sekskantmutteren med fordypningsiden mot den ytre flensen.

## For alle land utenfor Europa

### **⚠FORSIKTIG:**

- Ringen med 25,4 mm utvendig diameter er fabrikkmontert på spindelen.

## For land i Europa

### **⚠FORSIKTIG:**

- Ringen med 30 mm i utvendig diameter er fabrikkmontert mellom indre og ytre flens.
- Hold flensoverflaten ren, ellers kan bladet glippe. Forsikre deg om at bladet er montert på en slik måte at tennene er tilpasset til skjæretretningen (dreieretningen).

For å sikre bladet på plass, må du holde den ytre flensen med offsetnøkkelen og stramme sekskantmutteren med klokken med skrunøkkelen. **PASS PÅ Å STRAMME SEKSKANTMUTTEREN FORSVARLIG.**

- **Fig.19:** 1. Skrunøkkel 2. Skrunøkkel

### **⚠FORSIKTIG:**

- Hold sekskantmutteren forsiktig med skrunøkkelen. Hvis grepet glipper, kan skrunøkkelen gli av sekskantmutteren og hånden din kan komme bort i de skarpe kantene på bladet.

## Montere bladvern

- **Fig.20:** 1. Bladvern 2. Kløyvekniv 3. Monteringsdel for bladvern (stag)

- **Fig.21:** 1. Bladvern 2. Kløyvekniv

### **⚠FORSIKTIG:**

- Før du monterer bladvernet, må du justere skjæredybden til maksimal heving.

## For bladvern i ikke-europeiske land

Ta av midtdekslet. Sett inn kløyvekniven i bladvernets monteringsdel (stag). Stram sekskantskruene (A) med skrunøkkelen.

## For bladvern i europeiske land

- **Fig.22:** 1. Bladvern 2. Kløyvekniv

- **Fig.23:** 1. Bladvern 2. Kløyvekniv

Ta av midtdekslet. Sett inn kløyvekniven i bladvernets monteringsdel (stag). Stram sekskantskruene (A) med skrunøkkelen.

Sett bladvernet inn i sporet på kløyvekniven. Sikre bladvernet ved å dreie spaken på bladvernet.

## For bladvern både i og utenfor Europa

Kløyveknivens monteringssted er fabrikkjustert, slik at bladet og kløyvekniven er i rett linje. Hvis de ikke er i rett linje, må du løse sekskantskruene (B) og justere bladvernets monteringsdel (stag) slik at kløyvekniven rettes inn rett bak bladet. Stram sekskantskruene (B) for å feste staget.

- **Fig.24:** 1. Blad 2. Disse to klaringene skal være like. 3. Monteringsdel for bladvern (stag) 4. Kløyvekniv 5. Sekskantskruer (A) 6. Sekskantskruer (B)

### **⚠FORSIKTIG:**

- Hvis bladet og kløyvekniven ikke er tilpasset godt nok, kan det oppstå en farlig klemlitstand under drift. Pass på at de er rettet inn riktig. Du kan påføre deg alvorlige skader hvis du bruker sagen uten at kløyvekniven er godt nok tilpasset.
- Du må ALDRI foreta justeringer mens sagen går. Koble fra sagen før du foretar justeringer.
- Ikke fjern kløyvekniven.

- **Fig.25:** 1. Bladvern 2. Kløyvekniv

Det må være en klaring på rundt 4-5 mm mellom spaltekniven og sagtennene. Løse sekskantmutrene (A) og juster spaltekniven tilsvarende. Stram godt til sekskantmutrene (A). Fest bordinnlegget til bordet og kontroller at bladvernet fungerer korrekt før du begynner å sage.

## Montere og justere parallellanlegg

- **Fig.26:** 1. Spak

Monter parallellanlegget slik at anleggsholderen griper inn i den nærmeste føringskinnen.

Fest parallellanlegget ved å dreie hendelen på anleggsholderen så langt den går.

Sjekk for å forsikre deg om at parallellanlegget er parallellt med bladet, og sikre anlegget 2 - 3 mm fra bladet. Hev bladet til maksimalt. Merk en av tennene med en fargestift. Mål avstanden (A) og (B) mellom

parallellanlegget og bladet. Ta begge målene ved hjelp av tannen som er merket med fargestift. Disse to målene skal være identiske. Hvis parallellanlegget ikke er parallelt med bladet, fortsetter du på følgende måte:

► **Fig.27:** 1. Skala

► **Fig.28:** 1. Sekskantskruer

1. Fest parallellanlegget ved å senke hendelen på det.
2. Løsne de to sekskantskruene på parallellanlegget med sekskantnøkkelen.
3. Juster parallellanlegget til det er parallelt med bladet.
4. Stram de to sekskantskruene på parallellanlegget.

► **Fig.29**

### **⚠FORSIKTIG:**

- Pass på at du justerer parallellanlegget slik at det er parallelt med bladet, ellers kan det oppstå en farlig tilbakeslagssituasjon.

Legg parallellanlegget i flukt mot siden på bladet. Sørg for at styrelinjen på anleggsholderen peker på 0-streken. Hvis styrelinjen ikke peker på 0-streken, må du løse skruen på skalaplaten og justere platen.

► **Fig.30:** 1. Føringslinje 2. Skruer

## Koble til støvsuger

► **Fig.31**

Renngjøring kan utføres ved å koble sagen til Makita-støvsugeren eller -støvsamleren.

## BRUK

### **⚠FORSIKTIG:**

- Bruk alltid hjelpemidler som f.eks. støtstenger og -blokker hvis det er fare for at hendene eller fingrene dine kan komme nær sagbladet.
- Arbeidsemnet må alltid holdes fast til bordet og parallellanlegget eller gjæringsmåleren. Ikke bøy eller vri det mens du mater. Hvis arbeidsemnet er bøyd eller vridd, kan det oppstå farlige tilbakeslag.
- Du må ALDRI ta ut arbeidsemnet mens bladet roterer. Hvis du må ta ut arbeidsemnet før kuttet er fullført, må du først slå av sagen mens du holder arbeidsemnet godt fast. Vent til bladet har stoppet helt før du tar ut arbeidsemnet. Hvis du ikke retter deg etter dette, kan det oppstå farlige tilbakeslag.
- Du må ALDRI fjerne avskjær mens bladet går.
- Plasser ALDRI hendene eller fingrene dine i sagbladbanen. Vær spesielt forsiktig ved skråskjæring.
- Sikre alltid parallellanlegget godt, ellers kan det oppstå farlige tilbakeslag.
- Bruk alltid „arbeidsassistenter“, som skyvepinner og skyveblokker, når du skjærer små eller smale arbeidsstykker.

## Hjelpemidler

Støtstenger, støtblokker eller hjelpeanlegg er forskjellige hjelpemidler. Bruk disse til å lage sikre kutt slik at operatøren ikke må komme i berøring med bladet med noen del av kroppen.

## Støtblokk

- **Fig.32:** 1. Vendt mot/kant parallell 2. Håndtak  
3. Treskrue 4. Lim sammen

Bruk en 19 mm finerbit.

Hendelen må være midt på finerbiten. Fest den med lim og treskruer som vist. Det må alltid limes en liten trebit på 9,5 mm x 8 mm x 50 mm til fineren for å forhindre at bladet sløves hvis operatøren skjærer inn i støtblokken ved en feiltakelse. (Bruk aldri spiker i støtblokken.)

## Hjelpeanlegg

- **Fig.33:** 1. Vendt mot/kant parallell

Lag et hjelpeanlegg av 9,5 mm og 19 mm finerbiter.

## Kløyving

### **⚠FORSIKTIG:**

- Når du kløyver, må du demontere gjæringsmåleren fra bordet.
- Når du sager lange eller store arbeidsemner, må du alltid støtte dem godt bak bordet. Et langt arbeids-emne må IKKE bevege seg eller flytte seg på bordet. Dette vil gjøre at bladet setter seg fast og øke sjansen for tilbakeslag og personskader. Støtten må være i samme høyde som bordet.

1. Juster skjæredybden litt høyere enn tykkelsen på arbeidsemnet.

► **Fig.34**

2. Plasser parallellanlegget ved den ønskede kløyvingsbredden og fest det ved å dreie på håndtaket.

3. Snu sagen og mat arbeidsemnet forsiktig inn til bladet sammen med parallellanlegget.

- (1) Når bredden er 150 mm eller mer, må du bruke den høyre hånden forsiktig for å mate arbeidsemnet. Bruk den venstre hånden til å holde arbeidsemnet i posisjon mot parallellanlegget.

► **Fig.35**

- (2) Når bredden er 65 mm - 150 mm bred, må du bruke støtstangen til å mate arbeidsemnet.

► **Fig.36:** 1. Støtstang

- (3) Når bredden på kløyven er smalere enn 65 mm, kan ikke støtstangen brukes fordi at den vil slå bort i bladvernet. Bruk hjelpeanlegget og støtblokken. Sett hjelpeanlegget på parallellanlegget med to "C"-klemmer.

► **Fig.37:** 1. Hjelpeanlegg

Mat arbeidsemnet for hånd til enden er ca. 25 mm fra forkanten på bordet. Fortsett å mate ved hjelp av støtblokken på toppen av hjelpeanlegget til kuttet er fullført.

► **Fig.38:** 1. Støtblokk 2. Hjelpeanlegg

## Kapping

### **⚠FORSIKTIG:**

- Når du kapper, må du fjerne parallellanlegget fra bordet.
- Når du sager lange eller store arbeidsemner, må du alltid støtte dem godt mot sidene av bordet. Støtten må være i samme høyde som bordet.
- Hendene må alltid holdes borte fra sagbladets bane.

## Gjæringsmåler

- **Fig.39:** 1. Kapping 2. Gjæring 3. Skrårkjæring  
4. Lamellgjæring (vinkler)

Bruk gjæringsmåleren for de 4 sagemetodene vises i figuren.

### **⚠FORSIKTIG:**

- Fest knotten forsiktig på gjæringsmåleren.
- Unngå at arbeidselementet og måleren kryper ved å passe på at de er godt festet, spesielt når du sager i vinkel.
- Du må ALDRI holde i eller gripe den avskårne delen av arbeidsstykket.
- Du må alltid justere avstanden mellom enden av gjæringsmåleren og sagbladet slik at den ikke er større enn 15 mm.

## Bruke gjæringsmåler

- **Fig.40:** 1. Gjæringsmåler 2. Knott

Skyv gjæringsmåleren inn i de brede sporene i bordet. Løsne knappen på måleren og sett den til ønsket vinkel (0° til 60°). Legg materialet jevnt inntil vernet og skyv-bordet, fest det med klemmen på gjæringsmåleren og mat forsiktig inn mot bladet.

### Hjelpegjæringskloss (gjæringsmåler)

- **Fig.41**

For å unngå at en lang plate begynner å vibrere, må du utstyre gjæringsmåleren med en hjelpeanleggsplate. Fest det med skruer/muttere etter at du har boret hull, men festemidlene må ikke stikke ut fra bordet.

### Bærbart verktøy

- **Fig.42**

Forsikre deg om at sagen er koblet fra. Bær sagen i sagdelen som er vist i figuren.

### **⚠FORSIKTIG:**

- Du må alltid sikre alle bevegelige deler før du bærer sagen.
- Forsikre deg alltid om at bladvernet er montert på plass før du bærer sagen.

## VEDLIKEHOLD

### **⚠FORSIKTIG:**

- Forviss deg alltid om at maskinen er slått av og støpselet trukket ut av kontakten før du foretar inspeksjon eller vedlikehold.

### MERKNAD:

- Aldri bruk gasolin, bensin, tynner alkohol eller lignende. Det kan føre til misfarging, deformering eller sprekkdannelse.

## Rengjøring

Fjern sagmugg og spon regelmessig. Rengjør bladvernet og bevegelige deler inne i bordsagen forsiktig.

## Smøring

For å holde sagen i tipp topp stand og sikre lengst mulig levetid, må du smøre bevegelige og roterende deler med olje eller fett regelmessig.

Smørepunkter:

- Gjenget spindel for heving av bladet
- Hengsler for rotering av rammen
- Heveføringsspindler på motoren
- Gir for å heve bladet

## Skifte kullbørster

- **Fig.43**

Ta ut og kontroller kullbørstene med jevne mellomrom. Skift dem når de er slitt ned til en lengde på 3 mm. Hold kullbørstene rene og sørg for at de kan bevege seg fritt i holderne. Begge kullbørstene må skiftes samtidig. Bruk bare identiske kullbørster.

- **Fig.44:** 1. Børsteholderhette 2. Skrutrekker

Bruk en skrutrekker for å demontere børsteholderhettene. For å bytte kullbørstene, må du demontere bladvernet og badet og løsne låsespaken, vippe saghodet og sikre det i 45° skråvinkel. Legg sagen forsiktig bakover. Løsne børsteholderhetten. Ta ut de slitte kullbørstene, sett i nye og fest børsteholderhettene.

For å opprettholde produktets SIKKERHET og PÅLITELIGHET, må reparasjoner, vedlikehold og justeringer utføres av Makitas autoriserte servicesentre, og det må alltid brukes reservedeler fra Makita.

## VALGFRITT TILBEHØR

### **⚠FORSIKTIG:**

- Det anbefales at du bruker dette tilbehøret eller verktøyet sammen med den Makita-maskinen som er spesifisert i denne håndboken. Bruk av annet tilbehør eller verktøy kan forårsake helseskader. Tilbehør og verktøy må kun brukes til det formålet det er beregnet på.

Ta kontakt med ditt lokale Makita-servicesenter hvis du trenger mer informasjon om dette tilbehøret.

- Parallellanlegg
- Gjæringsmåler
- Skrunøkkel 24
- Sekskantnøkkel 5
- Utløp (for tilkobling til støvsamler)
- Stativsett

### MERK:

- Enkelte elementer i listen kan være inkludert som standardtilbehør i verktøypakken. Elementene kan variere fra land til land.

## TEKNISET TIEDOT

Malli		MLT100	
		(eurooppalaisille maille)	(Euroopan ulkopuolella oleville maille)
Akselin aukko		30 mm	25 mm ja 25,4 mm
Terän halkaisija		260 mm	255 mm
Terän paksuus		1,9 mm tai vähemmän	
Maks. Leikkauskaasiteetit	90°	93 mm	90,5 mm
	45°	64 mm	63 mm
Nopeus kuormittamattomana (min <sup>-1</sup> )		4 300	
Pöydän koko (P x L)		(685 mm - 835 mm) x (955 mm - 1 305 mm) ala-pöydällä (R) ja (taka)	(685 mm - 835 mm) x (955 mm - 1 305 mm) ala-pöydällä (R) ja (taka)
Mitat (P x L x K) ilman pöydän (-tien) pidennystä		726 mm x 984 mm x 333 mm ala-pöydällä (R) ja (taka)	726 mm x 984 mm x 333 mm ala-pöydällä (R) ja (taka)
Nettopaino		34,1 kg	34,1 kg
Turvallisuusluokka		□/II	

- Jatkuvan tutkimus- ja kehitysohjelman vuoksi pidätämme oikeuden muuttaa tässä mainittuja teknisiä ominaisuuksia ilman ennakoimattomista.
- Tekniset ominaisuudet saattavat vaihdella eri maissa.
- Paino EPTA-menetelmän 01/2003 mukaan

## Symbolit

Laitteessa on käytetty seuraavia symboleja. Opettele näiden merkitys, ennen kuin käytät konetta.



Lue käyttöohjeet.



KAKSINKERTAINEN ERISTYS



Käytä suojalaseja.



Älä laita käsiä tai sormia terän lähelle.



Koskee vain EU-maita  
Älä hävitä sähkötarvikkeita tavallisen kotitalousjätteen mukana!  
Vanhoja sähkö- ja elektroniikkalaitteita koskevan EU-direktiivin ja sen maakohtaisen sovellusten mukaisesti käytetyt sähkötarvikkeet on toimitettava ongelmajätteen keräyspisteeseen ja ohjattava ympäristöystävälliseen kierrätykseen.

### Käyttötarkoitus

Työkalu on tarkoitettu puun leikkaukseen.

### Virtälähde

Laitteen saa kytkeä vain sellaiseen virtalähteeseen, jonka jännite on sama kuin arvokilvessä ilmoitettu, ja sitä saa käyttää ainoastaan yksivaiheisella vaihtovirralla. Laitte on kaksinkertaisesti suojaeristetty, ja se voidaan siten kytkeä myös maadoittamattomaan pistorasiaan.

### Melutaso

Tyypillinen A-painotettu melutaso määräytyy EN61029-standardin mukaan:

Äänenpainetaso ( $L_{pA}$ ): 92 dB (A)

Äänitehotaso ( $L_{WA}$ ): 105 dB (A)

Virhemarginaali (K): 3 dB (A)

**Käytä kuulosuojaimia**

## EY-vaatimustenmukaisuusvakuutus

### Koskee vain Euroopan maita

EY-vaatimustenmukaisuusvakuutus on liitetty tähän käyttöoppaaseen.

## Sähkötyökalujen käyttöä koskevat varoitukset

**VAROITUS** Lue kaikki turvallisuusvaroitukset ja käyttöohjeet. Varoitusten ja ohjeiden noudattamatta jättäminen voi johtaa sähköiskuun, tulipaloon ja/tai vakavaan vammautumiseen.

**Säilytä varoitukset ja ohjeet tulevaa käyttöä varten.**

## LISÄÄ TURVAOHJEITA KONEELLE

### SÄILYTÄ NÄMÄ OHJEET.

1. **Pidä silmäsuojuksia.**
2. **Älä käytä työkalua palavien nesteiden tai kaasujen läheisyydessä.**
3. **ÄLÄ KOSKAAN käytä työkalussa hiovaa katkaisulaikkaa.**

4. Tarkasta ennen käyttöä, ettei terässä ole halkeamia tai vaurioita. Vaihda halkeillut tai muuten vahingoittunut terä heti uuteen.
5. Käytä vain valmistajan suosittelema EN847-1 mukaisia sahanteriä. Huomaa, että jakoveitsi ei saa olla paksumpi kuin sahanterän leikkausjälki eikä ohuempi kuin terän suko.
6. Käytä aina tässä ohjekirjassa suositeltuja varusteita. Väärien varusteiden, kuten hiomakatkaisulaikkojen käyttö voi aiheuttaa loukkaantumisen.
7. Valitse sahattavalle materiaalille sopiva sahanteriä.
8. Älä käytä pikateräksestä valmistettuja sahanteriä.
9. Pidä terä aina terävänä ja puhtaana rajoittaaksesi melutasoa.
10. Käytä oikein teroitettuja sahanteriä. Huomioi sahanterään merkitty enimmäisnopeus.
11. Puhdista kara, laipat (erityisesti asennuspinta) ja kuusiomutteri, ennen kuin asennat terän. Huono asennus saattaa aiheuttaa värinää/huojuntaa tai terän luistamisen.
12. Käytä sahanterän suojusta ja halkaisuveistä kaikkiiin toimintoihin, joihin ne soveltuvat, kuten kaikki läpisahaukset. Asenna terän suojuus noudattaen tässä käyttöohjeessa annettuja ohjeita. Läpisahaukset ovat toimenpiteitä, joissa terä halkaisee työkappaleen täysin kuten repäisy tai katkaisu. **ÄLÄ KOSKAAN** käytä työkalua, jossa on viallinen terän suojuus tai kiinnitys suojusta narulla tai jousella jne. Terän suojuksen epänormaali toiminta tulee korjata välittömästi.
13. Kiinnitä suojuus ja halkaisuveitsi välittömästi uudelleen terään sen jälkeen, kun olet suorittanut toiminnon, joka vaatii suojuksen irrottamisen.
14. Älä sahaa metalliesineitä, kuten nauloja tai ruuveja. Tarkasta työkappale ja poista kaikki naulat, ruuvit ja muut vierasesineet ennen työstöä.
15. Poista vääntimet, leikatut kappaleet jne. pöydältä, ennen kuin työkalu kytketään päälle.
16. **ÄLÄ KOSKAAN** pidä käsiäsi käytön aikana.
17. Pidä kädet poissa sahanterän linjalta.
18. **ÄLÄ KOSKAAN** seiso tai anna kenenkään seisoa sahanterän liikeradalla.
19. Varmista ennen kytkimen käynnistämistä, että terä ei kosketa jakoveistä eikä työkappaleelta.
20. Anna koneen käydä hetki ennen sen käyttämistä työkappaleeseen. Tarkkaile konetta värinän ja huojunnan varalta, mikä voisi olla merkki huonosti asennetusta tai tasapainotetusta terästä.
21. Koneetta ei saa käyttää rakojen, huulosten eikä urien tekemiseen.
22. Vaihda aluslevy kun se on kulunut.
23. **ÄLÄ KOSKAAN** tee säätöjä, kun työkalu on toiminnassa. Kytke työkalu irti sähköpistokkeesta ennen säätöjen tekemistä.
24. Käytä työntöttikua tarvittaessa. Työntöttikuja tulee käyttää irrottamaan ohuita työkappaleita, jotta voi pitää kädet ja sormet poissa terän ulottuvilta.
25. Varastoi työntöpuikko aina kun sitä ei käytetä.
26. Kiinnitä erityistä huomiota TAKAPOTKUN riskin vähentämistä koskeviin ohjeisiin. TAKAPOTKU on puristuksiin jääneen, vääntyneen tai vinoon joutuneen terän aiheuttama äkillinen reaktio. TAKAPOTKU aiheuttaa työkappaleen sinkoutumisen koneen takaa kohti käyttäjää. TAKAPOTKU VOI AIHEUTTAA VAKAVAN LOUKKAANTUMISEN. Vältä TAKAPOTKUJA pitämällä terät terävinä, pitämällä halkaisuohjaimen samansuuntaisena terän kanssa, pitämällä halkaisuterän ja teräsuojukset paikoillaan ja toimintakunnossa, olemalla vapauttamatta työkappaleita ennen kuin se on työnnetty kokonaan terän ohi ja olemalla halkaisematta työkappaleita, joka on kiero tai vääntynyt tai jolla ei ole suoraa reunaa kuljetettavaksi ohjaimen reunaa myöten.
27. Älä suorita mitään toimintoa vapaalla kädellä. Vapaan käden toiminta tarkoittaa, että käytät käsiäsi tukemaan tai ohjaamaan työkappaleita leikkausohjaimen tai jiiriohjaimen sijasta.
28. **ÄLÄ KOSKAAN** kurkota sahanterän ympäri tai yli. **ÄLÄ** koskaan kurkota työkappaleeseen, ennen kuin terä on täysin pysähtynyt.
29. Vältä äkillistä, nopeaa syöttämistä. Syötä mahdollisimman hitaasti sahatessasi kovia työkappaleita. Älä väännä äläkä kierrä työkappaleita syöttämisen yhteydessä. Jos terä juuttuu kiinni työkappaleeseen, sammuta kone välittömästi. Irrota kone pistorasista. Poista sitten tukos.
30. **ÄLÄ KOSKAAN** poista leikattuja osia terän lähellä tai kosketa terän suojusta sen ollessa toiminnassa.
31. Näpautta irralliset oksankohdat työkappaleesta ENNEN sahauksen aloittamista.
32. Älä vahingoita johtoa. Älä koskaan riuhtaise johtoa irti koskettimesta. Älä anna johdon joutua kosketukseen kuumuuden, öljyn, veden ja terävien reunojen kanssa.
33. Työskentelyssä syntyvä pöly voi sisältää syöpää, syntymävaurioita ja muita lisääntymishäiriöitä aiheuttavia kemikaaleja. Esimerkkejä tällaisista kemikaaleista ovat:
  - Iyjiypohjaisilla maaleilla käsiteltyjen materiaalien sisältämä lyijy
  - kyllästetyn puun sisältämä arseeni ja kromi.
  - Altistumisen aiheuttama riski riippuu tällaisen työn toistuvuudesta. Vähennä altistumista näille kemikaaleille seuraavasti: työskentele hyvin tuuletetussa tilassa ja käytä hyväksytyjä suojavarusteita, kuten erityisesti mikroskooppisten hiukkasten suodattamiseen suunniteltuja hengityssuojaimia.
34. Kytke kone pölynkeräimeen työskentelyn ajaksi.
35. Suojus voidaan nostaa pois työkappaleen asetuksen ajaksi ja helpottamaan puhdistusta. Varmista aina ennen työkalun kytkemistä, että suojuksen huppu on alhaalla ja sileänä pöydän pintaa vasten.

## SÄILYTÄ NÄMÄ OHJEET.

## ASENNUS

### Pöytäpyörörsahan sijoitus

- **Kuva1:** 1. Aukon halkaisija 8 mm
- **Kuva2:** 1. 6 mm:nen Std. tiivistsyrengas 2. Nro. 10 puuruuvi 40 mm:sellä min. pituudella
- **Kuva3:** 1. 6 mm:nen Std. tiivistsyrengas 2. 6 mm Asennuspultti & Mutteri lujasti kiristettyinä

Sijoita pöytäpyörörsaha hyvin valaistulle ja tasaiselle alueelle, missä voit ylläpitää hyvän jalansijan ja tasapainon. Se tulisi asentaa sellaiselle alueelle, jossa on tarpeeksi tilaa työkalupaleidesi koon käsittelylle. Pöytäpyörörsaha tulisi kiinnittää neljällä ruuvilla tai mutterilla työpenkkiin tai pöytäpyörörsahan jalustaan pöytäpyörörsahan pohjassa olevia reikiä soveltaen. Kun kiinnität pöytäpyörörsahaa työpenkkiin varmista, että työ-pöydässä on samankokoinen aukko, kuin pöytäpyörörsahan pohjassa, jotta sahanpuru voisi helposti tippua sen läpi. Jos toiminnan aikana pöytäpyörörsahalla on taipumusta keikahtaa, lipsahtaa tai siirtyä, työpenkki tai pöytäpyörörsahan jalusta tulisi varmistaa lattiaan.

### Lisävarusteiden varastoiminen

- **Kuva4:** 1. Työntöpuikko
- **Kuva5:** 1. Repeämäohjain (ohjaustulkki)  
2. Jiiristeikko

Työntötyökalua, kolmikulmaa ja kiintoavaimia voidaan säilyttää jalustan vasemmalla puolella. Sahaohjainta ja kulmaohjainta voidaan säilyttää jalustan oikealla puolella.

## TOIMINTOJEN KUVAUS

### ▲HUOMIO:

- Varmista aina ennen koneen säätöjen ja toiminnallisten tarkistusten tekemistä, että kone on sammutettu ja irrotettu pistorasiasta.

### Sahaussyvyyden säätäminen

- **Kuva6:** 1. Kahva

Leikkaussyvyyttä voidaan säätää kahvaa kääntämällä. Kierrä kahvaa myötäpäivään terän nostamiseen tai vastapäivään sen alentamiseen.

### HUOMAA:

- Sovella pintapuolista syvyydenasetusta ohuen materiaalin leikkaamiseksi saadaksesi puhtaampi viilto.

### Kallistuskulman säätäminen

- **Kuva7:** 1. Nuoliosoitin 2. Lukitusvipu

Löysennä lukkovipua vastapäivään ja kierrä käsipyörää, kunnes haluttu kulma (0° - 45°) on saavutettu. Viisteityskulma on merkitty nuoliosoitimella. Halutun kulman saavuttamisen jälkeen, kiristä lukkovipua myötäpäivään varmistaaksesi säätö.

### ▲HUOMIO:

- Viisteityskulman säätämisen jälkeen, kiristä lukkovipu lujasti.

## Sallittujen pisteiden säätö

- **Kuva8:** 1. Säätöruuvi, 90° 2. Säätöruuvi, 45°

- **Kuva9**

Työkalu on varustettu sallituilla pisteillä 90° and 45° :ssa pöydän pintaan nähden. Tarkistaaksesi ja asentaaksesi sallitut pisteet, tee seuraavasti:

Siirrä käsipyörää niin pitkälle, kuin mahdollista kiertämällä sitä. Aseta kolmikulma pöydälle ja tarkista, onko terä 90° or 45° :ssa pöydän pintaan nähden. Jos terä on kuvan A osoittamassa kulmassa, kierrä säätöruuvia myötäpäivään; jos se on kuvan B osoittamassa kulmassa, kierrä ruuveja vastapäivään sallittujen pisteiden säätämiseksi.

Sallittujen pisteiden säätämisen jälkeen, aseta terä 90° pöydän pintaan nähden. Säädä sitten nuoliosotin siten, että sen oikea reuna on rinnakkain 0° asteikon kanssa.

- **Kuva10:** 1. Nuoliosoitin

## Kytkimen käyttäminen

### ▲HUOMIO:

- Poista työkalupale pöydältä.
- Sammuuta työkalu ja paina sitten käynnistyspainiketta.
- Tarkasta, että työkalun virtakytkin ei ole päällä, ennen kuin kytket työkalun verkkovirtaan.

## Työkalu, joissa on näppäintyyppinen kytkin

- **Kuva11:** 1. Kytkin 2. Uudelleenkäynnistys nappi

Laitteen käynnistämiseksi paina ON (I) nappia. Laitteen pysäyttämiseksi paina OFF (O) nappia.

## Työkalu, joissa on viputyypinen kytkin

- **Kuva12:** 1. Kytkin 2. Uudelleenkäynnistys nappi

Käynnistä työkalu nostamalla kytkinvipua. Pysäytä se alentamalla kytkinvipua.

## Ala-pöytä (R)

- **Kuva13:** 1. Ruuvit

- **Kuva14:** 1. Ala-pöytä (R)

Tähän työkaluun kuuluu apupöytä (R), joka sijaitsee pääpöydän oikealla puolella. Kun haluat ottaa apupöydän (R) käyttöön, löysää oikealla puolella olevat kaksi ruuvia kiertämällä niitä vastapäivään, vedä apupöytä (R) ulos ja kiinnitä se sitten kiristämällä ruuvit.

## Ala-pöytä (taka)

- **Kuva15:** 1. Ruuvit 2. Ala-pöytä (taka)

Voit ottaa ala-pöydän (taka) käyttöön löysäämällä pöydän alapuolen ruuvit vasemmalta ja oikealta ja vetämällä pöydän haluamaasi pituuteen. Kiristä ruuvi, kun pöytä on haluamassasi pituudessa.

## Liukupöytä

► **Kuva16:** 1. Liukupöytä 2. Lukituslevy

### ▲HUOMIO:

- Kun lopetat liukupöydän käyttämisen, lukitse pöytä siirtämällä lukituslevy pystyasentoon.

Tämän työkalun vasemmalla puolella on liukupöytä. Liukupöytä liikkuu edestakaisin. Käännä etu- ja takapuolen lukituslevyt vaaka-asentoon ennen liukupöydän käyttämistä.

Kun aloitat sahaamisen, pitele työkalualetta kulmaohjainta vasten, kiinnitä kulmaohjaimen puristin ja työnnä työkalualetta eteenpäin yhdessä liukupöydän kanssa.

## KOKOONPANO

### ▲HUOMIO:

- Varmista aina ennen koneelle tehtäviä toimenpiteitä, että kone on sammutettu ja irrotettu pistorasialta.

Työkalu kuljetetaan tehtaalta siten, että sahanterä ja teräsuoja eivät ole asennuskunnossa. Kokoa seuraavalla tavalla:

## Sahanterän kiinnittäminen ja irrottaminen

### ▲HUOMIO:

- Varmista aina ennen terän kiinnittämistä ja irrottamista, että kone on sammutettu ja irrotettu pistorasialta.
- Käytä vain varusteisiin kuuluvaa Makitin hylsyavainta terän kiinnittämiseen ja irrottamiseen. Muutoin kuusiopultti voi tulla liian kireälle tai jäädä löysälle. Tämä voi johtaa loukkaantumiseen.
- Käytä seuraavanlaista sahanterää. Älä käytä sellaista sahanterää, joka ei mukaudu ohjeissa määrättyihin ominaisuuksiin.

Mallille	Maks. halk.	Min. halk.	Terän paksaus	Viilto
MLT100	260 mm	230 mm	1,8 mm tai vähemmän	2 mm tai enemmän

### ▲HUOMIO:

- Tarkista terän tangonreiän läpimitta ennen terän asentamista. Käytä aina oikeaa rengasta sen terän tangonreikään, jota aiot käyttää.

► **Kuva17:** 1. Kiintoavain 2. Kiintoavain 3. Kuusiomutteri

Irrota teräaukon kehys. Pidä uloimmaista laippaa paikallaan kiintoavaimella ja avaa mutteri kääntämällä sitä vastapäivään toisella kiintoavaimella. Irrota sitten uloimmainen laippa.

► **Kuva18:** 1. Sisälaippa 2. Rengas 3. Sahanterä 4. Ulkolaippa 5. Kuusiomutteri

Kokoa sisälaippa, rengas, sahanterä, ulkolaippa ja kuusiomutteri tankoon varmistaen siten, että terän hampaat kohdistuvat pöydän edessä alaspäin. Asenna aina kuusiomutteri sen syvennettyyn sivuun siten, että se kohdistuu ulkolaippaan päin.

## Kaikille Euroopan ulkopuolella oleville maille

### ▲HUOMIO:

- 25,4 mm:n sovintirengas on kiinnitetty karaan tehtaalla.

## Eurooppalaisille maille

### ▲HUOMIO:

- Sisä- ja ulkolaippojen väliin on asennettu tehtaalla ulkohalkaisijaltaan 30 mm:n rengas.
- Pidä laipan pinta puhtaana pölystä tai muista liimautuvista aineista; se saattaa aiheuttaa terän huonotumisen. Varmista, että terä on asennettu siten, että sen hampaat on leikkaussuuntaan (kääntyvän) oikeistu.

Varmistaaksesi terä paikalleen, pidä ulkolaippaa off-set-ruuvimeisselillä, ja kiristä sitten kuusiomutteriä myötäpäivään ruuviavaimella. MUISTA KIRISTÄÄ KUUSIOMUTTERI TIUKASTI.

► **Kuva19:** 1. Kiintoavain 2. Kiintoavain

### ▲HUOMIO:

- Muista pitää kuusiomutteriä tiukasti ruuvimeisselillä. Jos otteesi luiskahtaa, ruuviavain saattaa tulla kuusiomutterista pois, ja kätesi saattaa iskeytyä terän terävään reunaan.

## Teränsuojuksen asennus

► **Kuva20:** 1. Teränsuojaus 2. Jakoveitsi 3. Teränsuojuksen asennusosa (pysyvä)

► **Kuva21:** 1. Teränsuojus 2. Jakoveitsi

### ▲HUOMIO:

- Ennen teränsuojuksen asentamista, säädä leikkaussyvyys enimmäiskorkeuteensa.

## Ei-Eurooppalaisille teränsuojustyypeille

Irrota keskimäinen kotelo. Aseta viiltoterä teränsuojuksen alustusosaan (tuki). Kiristä kuusiomutterit (A) annetulla ruuviavaimella.

## Ei-Eurooppalaisille teränsuojustyypeille

► **Kuva22:** 1. Teränsuojus 2. Jakoveitsi

► **Kuva23:** 1. Teränsuojus 2. Jakoveitsi

Irrota keskimäinen kotelo. Aseta viiltoterä teränsuojuksen alustusosaan (tuki). Kiristä kuusiomutterit (A) annetulla ruuviavaimella.

Aseta teränsuojus viiltoterässä olevaan uraan. Kiinnitä teränsuojus kääntämällä teränsuojuksessa olevaa vipua.



## Sekä Eurooppalaisille että ei-Eurooppalaisille teränsuojustyypeille

Viiltoterän asennuspaikka on tehtäessä asennettu siten, että terä ja viiltoterä ovat suorassa linjassa. Jos ne eivät kuitenkaan ole suorassa linjassa, löysennä kuusiopultit (B) ja säädä teränsuojuksen alustusosa (tuki) siten, että viiltoterä on kohdistettu suoraan terän taakse. Kiristä sitten kuusiomutterit (B) tuen varmistamiseksi.

- **Kuva24:** 1. Terä 2. Näiden kahden vapaan välin tulee olla samat. 3. Teräsuojuksen asennusosa (pysyvä) 4. Jakoveitsi 5. Kuusiopultit (A) 6. Kuusiopultti (B)

### ▲HUOMIO:

- Jos terä ja viiltoterä ei ole asianmukaisesti oikaistu, toiminnan aikana saattaa ilmetä vaarallinen puristuslii. Varmista, että ne ovat asianmukaisesti oikaistu. Voit kärsiä vakavia henkilövammoja, jos käytät työkalua ilman asianmukaisesti oikaistua viiltoterää.
- ÄLÄ KOSKAAN tee minkäänlaisia säätöjä, kun työkalu on käynnissä. Kytke työkalu irti ennen kuin teet säätöjä.
- Älä irrota halkaisuveistä.

- **Kuva25:** 1. Teränsuojus 2. Jakoveitsi

Halkaisuveitsen ja terän hampaan välissä on oltava 4–5 mm:n vällys. Löysää kuusiomutterit (A), säädä halkaisuveitsi oikeaan asentoon ja kiristä kuusiomutterit (A) tiukkaan. Kiinnitä teräaukon kehys pöytäan ja varmista sitten teräsuojuksen toiminta, ennen kuin aloitat sahaamisen.

## Halkaisuterän kiinnittäminen ja säätäminen

- **Kuva26:** 1. Vipu

Kiinnitä sahausohjain niin, että se asettuu lähimpään ohjauskiskoon.

Kiinnitä sahausohjain kääntämällä sen vipu ala-asentoon.

Ollaksesi varma, että repeämäaita on terän kanssa rinnakkain, kiinnitä repeämäaita 2–3 mm terästä. Nosta terä ylös enimmäiskorkeuteen. Merkitse yksi terän hammas liidulla. Mittaa etäisyys (A) ja (B) repeämäaidan ja terän välillä. Käytä molempia mittoja liidulla merkittyä hammasta käyttäen. Näiden kahden mittauksen tulee olla samat. Jos repeämäaita ei ole terän kanssa rinnakkain, tee seuraavanlailla:

- **Kuva27:** 1. Asteikko

- **Kuva28:** 1. Kuusioruuvi

1. Kiinnitä sahausohjain kääntämällä vipu ala-asentoon.
2. Löysennä kaksi repeämäaidassa olevaa kuusiomutteria annetulla istukka-avaimella.
3. Säädä repeämäaitaa, kunnes se on terän kanssa rinnakkain.
4. Kiristä repeämäaidassa olevat kaksi kuusiomutteria.

- **Kuva29**

### ▲HUOMIO:

- Muista säätää halkaisuohjain siten, että se on samansuuntainen terän kanssa. Muutoin seurauksena voi olla vaarallinen takapotku.

Nosta repeämäaita ylös terän sivun kanssa samaan tasoon. Varmista, että aidan kannattimessa oleva ohjauslinja osoittaa asteikossa 0:aan. Jos ohjauslinja ei osoita asteikossa 0:aan, löysää asteikkolevyn ruuvia ja säädä asteikkolevyä.

- **Kuva30:** 1. Ohje 2. Ruuvi

## Pölynimuriin kytkeminen

- **Kuva31**

Puhdistustoiminnat voidaan suorittaa kytkemällä työkalu Makitan pölynimuriin tai pölynkeräyssiiniin.

## TYÖSKENTELY

### ▲HUOMIO:

- Käytä aina apuvälineitä, kuten työntöpuikkoja ja työntökappaleita, kun kädet tai sormet ovat vaarassa joutua terän lähelle.
- Pidä aina työkappaletta lujasti pöydällä ja repeämäaidalla tai viistomitalla. Älä taiputa tai väännä sitä työntöaikana. Jos työkappaletta on taiputettu tai väännetty, se saattaa aiheuttaa vaarallisia takapotkuja.
- ÄLÄ KOSKAAN vedä työkappaletta taakse terän pyöriessä. Jos työkappale on pakko vetää taakse ennen sahausksen valmistumista, sammuta ensin kone pitäen työkappale tukevasti paikallaan. Odota kunnes terä on kokonaan pysähtynyt ennen kuin vedät työkappaleen taakse. Muutoin seurauksena voi olla vaarallinen takapotku.
- ÄLÄ KOSKAAN poista irti sahattuja kappaleita terän pyöriessä.
- ÄLÄ KOSKAAN sijoita kättäsi tai sormiasi sahanterän tielle. Ole erityisen varovainen viisteilyleikkausten kanssa.
- Kiinnitä halkaisuohjain aina tukevasti. Muutoin seurauksena voi olla vaarallinen takapotku.
- Käytä aina työntökappaleita tai muuta apuvälinettä, kun sahaaat pienikokoisia tai kapeita työkappaleita.

## Apuvälineet

Työntöpuikot, työntökappaleet ja apuohjaimet ovat esimerkkejä apuvälineistä. Niiden käyttö tekee sahausesta turvallista ja varmaa, koska käyttäjän ei tarvitse koskea terään millään ruumiinosalla.

## Työntökappale

- **Kuva32:** 1. Tasaa samansuuntaisesti 2. Kahva 3. Puuruuvi 4. Liimaa yhteen

Käytä 19 mm:n vanerikappaletta.

Kahvan tulisi olla vaneripalasen keskiosassa. Kiinnitä liimalla ja puuruuveilla kuvan mukaan. Pieni pala 9,5 mm x 8 mm x 50 mm puuta tulee aina olla liimattuna vaneriin, jotta se estäisi terän tlysisytymisen, jos käyttäjä leikkaa vahingossa työntölohkoon. (Älä koskaan käytä nauloja työntölohkoissa.)

## Apuohjain

- **Kuva33:** 1. Tasaa samansuuntaisesti

Tee apuohjain 9,5 mm:n ja 19 mm:n vaneripaloista.



## Halkaisusahaaminen

### **⚠HUOMIO:**

- Kun halkaisusahaat, irrota jiiristeikko pöydästä.
- Tue pitkät ja suuret kappaleet asianmukaisesti, jos ne ulottuvat sahattaessa pitkälle pöydän yli. ÄLÄ anna pitkän levyn liikkua tai siirtyä pöydällä. Tämä saa terän juuttumaan, mikä lisää takapotkun ja loukkaantumisen vaaraa. Tuen tulee olla samalla korkeudella kuin pöydän.

1. Säädä leikkuusyvyyttä hieman työkappaleen paksuutta korkeammalle.

#### ► Kuva34

2. Aseta sahausohjain haluamaasi sahausasentoon ja kiinnitä se paikalleen kääntämällä vipu ala-asentoon.
3. Käynnistä kone ja syötä työkappaleta varovasti terälle halkaisuohjainta pitkin.
  - (1) Kun viillon leveys on 150 mm ja leveämpi, käytä varovasti oikeaa kättäsi työkappaleen syöttämiseen. Käytä vasenta kättäsi työkappaleen asennossa pitämiseksi repeämäitaa vasten.

#### ► Kuva35

- (2) Jos halkaisuleveys on 65 - 150 mm:n, syötä työkappaleta työntöpuikolla.

#### ► Kuva36: 1. Työntöpuikko

- (3) Kun viillon leveys on kapeampi, kuin 65 mm, työntöttikku ei voi käyttää, koska työntöttikku iskeytyy teränsuojukseen. Käytä apu-aitaa ja työntölohkoa. Kiinnitä apu-aita repeämäitään kahdella "C" puristimella.

#### ► Kuva37: 1. Apuohjain

Syötä työkappale käsin, kunnes sen loppu on noin 25 mm:n päästä pöydän etureunasta. Jatka syöttöä työntölohkoa käyttäen apu-aidan kärjessä, kunnes leikkaus on valmis.

#### ► Kuva38: 1. Työntökappale 2. Apuohjain

## Katkaisu

### **⚠HUOMIO:**

- Kun katkaiset, irrota halkaisuohjain pöydästä.
- Tue pitkät ja suuret kappaleet asianmukaisesti, jos ne ulottuvat katkaistaessa pöydän sivujen yli. Tuen tulee olla samalla korkeudella kuin pöydän.
- Pidä kädet aina pois terän tieltä.

## Jiiristeikko

- **Kuva39:** 1. Katkaisu 2. Jiirisahaus 3. Viistesahaus  
4. Yhdistelmäjiirisahaus (kulmat)

Käytä kuvan osoittamiin 4 sahaustyyppiin jiiristeikkoa.

### **⚠HUOMIO:**

- Kiinnitä jiiristeikon nuppi huolellisesti paikalleen.
- Vältä työkappaleen pujahtamista ja mittaa vakaan työtä hallitsevan asetelman mukaan, varsinkin kulmaa leikatessa.
- ÄLÄ KOSKAAN pidä kiinni työkappaleen irti sahattavasta osasta.
- Säädä aina viistoasteikon pään ja sahanterän välinen etäisyys niin, ettei se ylitä 15 mm.

## Jiiristeikon käyttäminen

### ► Kuva40: 1. Jiiristeikko 2. Nuppi

Työnnä kulmaohjain pöydässä oleviin uriin. Löysää ohjaimessa oleva nuppi ja säädä ohjain haluamaasi kulmaan (0° - 60°). Vedä työkappale samaan tasoon ohjaimen ja liukupöydän kanssa, kiinnitä työkappale kulmaohjaimen puristimella ja työnnä sitten työkappaleta hitaasti terää kohti.

## Puinen apureunus (jiiristeikko)

### ► Kuva41

Asenna jiiristeikkoon apukehikko estääksesi pitkää levyä hujumasta. Kiinnitä pulteilla/muttereilla poratuasi reiät. Kiinnikkeet eivät kuitenkaan saa pistää levyn läpi.

## Koneen kantaminen

### ► Kuva42

Varmista, että työkalu on kytketty pois. Kuljeta työkalua pitämällä sen osaa kuvan osoittamalla tavalla.

### **⚠HUOMIO:**

- Kiinnitä aina kaikki liikkuvat osat paikoilleen ennen koneen kantamista.
- Varmista aina ennen kuljetusta, että teränsuojus on kiinnitetty paikalleen.

## KUNNOSSAPITO

### **⚠HUOMIO:**

- Varmista aina ennen tarkastuksia ja huoltotöitä, että laite on kone on sammutettu ja irrotettu virtalähteestä.

### HUOMAUTUS:

- Älä koskaan käytä bensiiniä, ohentimia, alkoholia tai tms. aineita. Muutoin pinta voi halkeilla tai sen värit ja muoto voivat muuttua.

## Puhdistus

Puhdista silloin tällöin sahanpuru ja lastut. Puhdista teränsuojus ja pöytäpyörösahan sisällä olevat liikkuvat osat varovasti.

## Voitelu

Pöytäpyörörsahan erinomaisessa toimintakunnossa pitämisen vuoksi sekä maksimi palveluiän varmistamiseksi öljyä tai rasvaa liikkuvat ja pyörivät osat aika ajoin. Voitelupaikat:

- Kierteinen akseli terän kohottamiseen
- Saranoi rungon kiertämiseksi
- Moottorissa oleva kohotuksen ohjausakseli
- Hammasratas terän kohottamiseen

## Hiiliharjojen vaihtaminen

### ► Kuva43

Irrota ja tarkasta hiiliharjat säännöllisesti. Vaihda, kun ne ovat kuluneet 3 mm:n pituuteen asti. Pidä hiiliharjat puhtaina ja varmista, että ne pääsevät liukumaan vapaasti pidikkeissään. Molemmat hiiliharjat on vaihdettava yhtä aikaa. Käytä vain identtisiä hiiliharjoja.

### ► Kuva44: 1. Harjanpitimen kansi 2. Ruuvitaltta

Irrota hiiliharjanpidikkeiden kuvat ruuvimeisselillä. Vaihda hiiliharjat poistamalla teränsuojus ja terä ja löysennä sitten lukkovipu, kallista sahan kärkeä ja kiinnitä se 45° viisteityskulmaan. Sijoita työkalu sitten varovasti itsensä päälle takaperin. Löysennä sitten hiiliharjapidikkeiden kupu. Ota pois kuluneet hiiliharjat, asenna uudet ja kiinnitä pidikkeiden kuvat.

Koneen TURVALLISUUDEN ja LUOTETTAVUUDEN säilyttämiseksi korjaukset sekä muut huoltotoimet ja säädöt on jätettävä Makitan valtuuttaman huollon tehtäväksi käyttäen aina Makitan alkuperäisiä varaosia.

## LISÄVARUSTEET

### ▲HUOMIO:

- Näitä lisävarusteita ja -laitteita suositellaan käytettäväksi tässä ohjekirjassa mainitun Makitan koneen kanssa. Minkä tahansa muun lisävarusteen tai -laitteen käyttäminen voi aiheuttaa loukkaantumisaarua. Käytä lisävarusteita ja -laitteita vain niiden käyttötarkoituksen mukaisesti.

Jos tarvitset apua tai yksityiskohtaisempia tietoja seuraavista lisävarusteista, ota yhteys paikalliseen Makitan huoltoon.

- Repeämäaita
- Jiirasteikko
- Kiintoavain 24
- Kuusioavain 5
- Liitos (pölynkerääjään kytkemiseen)
- Jalusta sarja

### HUOMAA:

- Jotkin luettelossa mainitut varusteet voivat sisältyä työkalun toimitukseen vakiovarusteina. Ne voivat vaihdella maittain.






## SPECIFIKĀCIJAS

Modelis		MLT100	
		(Eiropas valstīm)	(citām valstīm, izņemot Eiropas valstis)
Ass caurums		30 mm	25 mm un 25,4 mm
Asmens diametrs		260 mm	255 mm
Asmens korpusa biezums		1,9 mm vai mazāk	
Maks. griešanas jauda	90°	93 mm	90,5 mm
	45°	64 mm	63 mm
Tukšgaitas ātrums (min <sup>-1</sup> )		4 300	
Galda izmērs (G x P)		(685 mm - 835 mm) x (955 mm - 1 305 mm) ar apakšējo galdu (R) un (aizmugures)	(685 mm - 835 mm) x (955 mm - 1 305 mm) ar apakšējo galdu (R) un (aizmugures)
Gabarīti (G x P x A), neizvērstot galdu(-s)		726 mm x 984 mm x 333 mm ar apakšējo galdu (R) un (aizmugures)	726 mm x 984 mm x 333 mm ar apakšējo galdu (R) un (aizmugures)
Neto svars		34,1 kg	34,1 kg
Drošības klase		□/II	

- Dēļ mūsu nepārtrauktās pētniecības un izstrādes programmas, šeit dotās specifikācijas var mainīties bez brīdinājuma.
- Atkarība no valsts specifikācijas var atšķirties.
- Svārs atbilstoši EPTA-Procedure 01/2003

## Simboli

Zemāk ir attēloti simboli, kas attiecas uz iekārtu. Pirms darbarīka izmantošanas pārliecinieties, vai pareizi izprotat to nozīmi.

	Izlasiet rokasgrāmatu.
	DUBULTA IZOLĀCIJA
	Valkājiet aizsargbrilles.
	Neturiet roku vai pirkstus asmens tuvumā.
	Tikai ES valstīm Neizmest elektrisko aprīkojumu sadzīves atkritumos! Saskaņā ar Eiropas direktīvu par lietotajām elektroiekārtām un elektronikas iekārtām un tās iekļaušanu valsts likumdošanā lietotais elektriskais aprīkojums jāsavāc atsevišķi un jānogādā otrreizējai pārstrādei vidi saudzējošā veidā.

### Paredzētā lietošana

Šis darbarīks ir paredzēts iegriezumiem kokā.

### Strāvas padeve

Darbarīks jāpievieno tikai tādai strāvas padevei, kuras spriegums ir tāds pats, kā norādīts uz plāksnītes ar nosaukumu, un to var ekspluatēt tikai ar vienfāzes maiņstrāvas padevi. Darbarīks aprīkots ar divkāršo izolāciju, tādēļ to var izmantot arī, pievienojot kontaktligzdai bez iezemējuma vada.

### Troksnis

Tipiskais A-svērtais trokšņa līmenis ir noteikts saskaņā ar EN61029:

- Skaņas spiediena līmenis (L<sub>PA</sub>): 92 dB (A)
- Skaņas jaudas līmenis (L<sub>WA</sub>): 105 dB (A)
- Neskaidrība (K): 3 dB (A)

**Lietojiet ausu aizsargus**

## EK atbilstības deklarācija

### Tikai Eiropas valstīm

EK atbilstības deklarācija šajā lietošanas rokasgrāmatā ir iekļauta kā A pielikums.

## Vispārējie mehānizēto darbarīku drošības brīdinājumi

**⚠ BRĪDINĀJUMS Izlasiet visus drošības brīdinājumus un visus norādījumus.** Brīdinājumu un norādījumu neievērošanas gadījumā var rasties elektriskās strāvas trieciens, ugunsgrēks un/vai nopietnas traumas.

**Glābjiēt visus brīdinājumus un norādījumus, lai varētu tajos ieskatīties turpmāk.**

## PAPILDUS DROŠĪBAS NOTEIKUMI DARBARĪKA LIETOŠANAI

### SAGLABĀJIET ŠOS NORĀDĪJUMUS.

1. Lietojiet acu aizsargus.
2. Nelietojiet darbarīku viegli izliesmojošu šķidrumu un gāzu tuvumā.
3. NEKAD neizmantojiet darbarīku ar uzstādītu abrazīvu griezējripu.
4. Pirms darba veikšanas uzmanīgi pārbaudiet, vai asmenim nav plaisu vai bojājumu. Iepalaisājušu vai bojātu asmeni nekavējoties nomainiet.
5. Izmantojiet tikai tādas asmeņus, ko iesaka ražotājs un kas atbilst standartam LVS EN 847-1, kā arī ievērojiet, ka šķelšanas nazis nedrīkst būt biežāks par zāģa asmens griezuma platumu un nedrīkst būt plānāks par asmens korpusu.
6. Vienmēr izmantojiet piederumus, kas norādīti šajā rokasgrāmatā. Nepiemērotu piederumu, piemēram, abrazīvo griezējripu, izmantošana var izraisīt ievainojumu.
7. Zāģa asmeni izvēlieties atbilstoši zāģējamam materiālam.
8. Neizmantojiet asmeņus, kas ražoti no ātrgriezīga tērauda.
9. Lai mazinātu radušos troksni, vienmēr pārliecinieties, vai asmens ir ass un tīrs.
10. Izmantojiet pareizi uzasinātus zāģa asmeņus. Ievērojiet uz zāģa asmens norādīto maksimālo ātrumu.
11. Pirms asmens uzstādīšanas notīriet vārpstu, atlokus (it īpaši uzstādīšanas virsmu) un seššķautņu skrūvi. Nepareiza uzstādīšana var radīt asmens vibrāciju/svārstības vai izslīdi.
12. Izmantojiet zāģa asmens aizsargu un šķelšanas nazi visiem darbiem, kam tos var izmantot, tai skaitā pilnīgas sazāģēšanas darbiem. Vienmēr uzstādiet asmens aizsargu sekojot instrukcijām, kas sniegtas šajā rokasgrāmatā. Pilnīgas sazāģēšanas darbs ir tāds darbs, kurā asmens pilnībā izzāģējas cauri apstrādājamam materiālam, piemēram, gareniskā zāģēšana vai pārzāģēšana. NEKAD neizmantojiet darbarīku ar bojātu asmens aizsargu, kā arī nenostipriniet asmens aizsargu ar virvi, auklu u.c. Jebkura nepareiza asmens aizsarga darbība nekavējoties jānovērš.
13. Pēc tam, kad esat paveicis darbību, kurā nepieciešams noņemt aizsargu, nekavējoties to piestipriniet atpakaļ.
14. Negrieziet metāla objektus, piemēram, naglas un skrūves. Pirms sākt darbu pārbaudiet, vai apstrādājamā materiālā nav naglas, skrūves un citi svešķermeņi, un tos izņemiet.
15. Pirms slēdža ieslēgšanas no galdā noņemiet uzgriežņatslēgas, nogrieztos gabalus u.c.
16. Darba laikā NEKAD nevalkājiēt cimdus.
17. Netuviniet rokas zāģa asmens trajektorijai.
18. NEKAD nestāviet un neļaujiet nevienam citam stāvēt zāģa asmens trajektorijas tuvumā.
19. Pirms slēdža ieslēgšanas pārliecinieties, vai asmens nepieskaras šķelšanas nazim vai apstrādājamam materiālam.
20. Pirms sākt darbarīku lietot ar apstrādājamu materiālu, nolīgi darbiniet to bez slodzes. Pievērsiet uzmanību vibrācijai vai svārstībām,

jo tas var liecināt par nepareizu uzstādīšanu vai slikti līdzsvarotu asmeni.

21. Darbarīku nevar izmantot rievu un gropju zāģēšanai.
22. Ja galdā starplika ir nolietojusies, to nomainiet.
23. NEKAD neko neregulējiet, ja darbarīks ir ieslēgts. Pirms regulēšanas atvienojiet darbarīku no elektrotīkla.
24. Kad nepieciešams, izmantojiet nūju grūšanai. Nūja grūšanai JĀIZMANTO šauru apstrādājamo materiālu gareniskai zāģēšanai, lai netuvinātu rokas un pirkstus asmenim.
25. Vienmēr, kad neizmantojiet nūju grūšanai, glabājiet to savā vietā.
26. Īpaši uzmanību pievērsiet instrukcijām, lai mazinātu ATSIETIENA risku. ATSIETIENS ir pēkšņa pretkustība pēc zāģa asmens iesprūšanas, iekļūšanas vai nepareizas novietošanās. ATSIETIENS liek apstrādājamam materiālam atlēkt no darbarīka operatora virzienā. ATSIETIENS VAR IZRAISĪT SMAGU IEVAINOJUMU. Izvairieties no ATSIETIENIEM, rūpējoties, lai asmens būtu ass un gareniskā barjera paralēla asmenim un lai šķelšanas nazis un asmens aizsargs būtu savā vietā un pareizi darbotos, kā arī neatlaižot apstrādājamo materiālu, kamēr neesat to aizvirzījis pilnībā garām asmenim un nezāģējot gareniski apstrādājamo materiālu, kas ir saspīests vai sameties vai kam nav taisna mala, kuru var virzīt gar barjeru.
27. Nekad neveiciet nevienu darbu, turot apstrādājamo materiālu rokā. Tas nozīmē, ka apstrādājamo materiālu atbalstāt vai virzāt ar rokām, nevis ar garenisko barjeru vai leņķmēru.
28. NEKAD nesniedzieties pāri zāģa asmenim. NEKAD nesniedzieties pēc apstrādājamā materiāla, kamēr zāģa asmens nav pilnībā apstājies.
29. Izvairieties no asas, straujas pievades. Griežot cietu apstrādājamo materiālu, to pievadiet pēc iespējas lēnāk. Pievadot materiālu, to nesalieciet un nesalokiet. Ja asmens apstrādājamā materiālā apstājas vai iesprūst, nekavējoties izslēdziet darbarīku. Atvienojiet darbarīku no elektrotīkla. Pēc tam novērsiet iesprūdumu.
30. NEKAD neņemiet nost nogrieztos gabalus blakus asmenim un neaiztieciat asmens aizsargu, kamēr asmens darbojas.
31. PIRMS sākt griezt no apstrādājamā materiāla izsitiet visus vaļīgos zarus.
32. Lietojiet vadu pareizi. Nekad neraujiet aiz vada, lai to atvienotu no spraudlīdždas. Sargājiet vadu no siltuma avotiem, eļļas, ūdens un asām malām.
33. Darba gaitā dažu veidu radušos putekļus sastāvā ir ķīmiskās vielas, kas var izraisīt vēzi, iedzimtas slimības vai cita veida reproduktīvu kaitējumu. Šādas ķīmiskās vielas var būt:
  - svins no materiāla, kas izgatavots no krāsota svina un
  - arsēns un hroms no ķīmiski apstrādātiem zāģmateriāliem.
  - Risks jūsu veselībai palielinās atkarībā no tā, cik bieži jūs veicat šāda veida darbu. Lai samazinātu šo ķīmisko vielu iedarbību: strādājiet labi vēdinātā darba vietā un ar apstiprinātiem drošības piederumiem, piemēram, putekļu maskām, kas ir speciāli paredzētas, lai filtrētu mikroskopiskas daļiņas.

34. Zāģējot ar darbarīku, tam pievienojiet putekļu savācēju.
35. Aizsargu var pacelt apstrādājamā materiāla uzstādīšanas laikā un arī, lai būtu vieglāk tīrīt. Vienmēr pirms darbarīka pievienošanas kontaktligzdai pārliecinieties, vai aizsarga vāks ir nolaists un vienā līmenī ar zāģa galdu.

## SAGLABĀJIET ŠOS NORĀDĪJUMUS.

### UZSTĀDĪŠANA

#### Galda zāģa novietošana

- **Att.1:** 1. Cauruma diametrs 8 mm
- **Att.2:** 1. 6 mm stand. paplāksne 2. Nr. 10 kokskrūve 40 mm min. garums
- **Att.3:** 1. 6 mm stand. paplāksne 2. 6 mm montāžas bulskrūve un uzgrieznis Cieši pieskrūvējiet

Novietojiet galda zāģi labi apgaismotā un līdzenā vietā, kur iespējams stāvēt uz cieša un stabila atbalsta. Tas jāuzstāda tādā vietā, kur ir pietiekami daudz apstrādājamo materiālu izmēriem atbilstošas brīvas vietas. Galda zāģis jāpieskrūvē ar četrām skrūvēm vai bulskrūvēm pie darba galda vai galda zāģa statīva, izmantojot tām paredzētos caurumus galda zāģa apakšpusē. Piestiprinot galda zāģi pie darba galda, pārbaudiet, vai atvere tā augšpusē ir tāda paša lieluma kā atvere galda zāģa apakšpusē, lai zāģa skaidas varētu birt tai cauri. Ja darba laikā galda zāģis mēdz gāzties, bīdīties vai kustēties, darba galds vai galda zāģa statīvs jāpiestiprina pie grīdas.

#### Papildpiederumu uzglabāšana

- **Att.4:** 1. Bīdstiens
- **Att.5:** 1. Garenzāģēšanas ierobežotājs (vadotnes lineāls) 2. Leņķveida mērinstruments

Bīdstieni, leņķmēru, asmeni un uzgriežņu atslēgas var uzglabāt pamatnes kreisajā pusē, garenzāģēšanas ierobežotāju — pamatnes labajā pusē.

### FUNKCIJU APRAKSTS

#### UZMANĪBU:

- Pirms regulējat vai pārbaudāt instrumenta darbību, vienmēr pārliecinieties, vai instruments ir izslēgts un atvienots no barošanas.

#### Zāģēšanas dziļuma regulēšana

- **Att.6:** 1. Rokturis

Zāģēšanas dziļumu var noregulēt, griežot rokturi. Grieziet rokturi pulksteņrādītāja virzienā, lai paceltu asmeni, vai pretēji tam, lai to nolaistu zemāk.

#### PIEZĪME:

- Lai zāģēšana būtu precīzāka un drošāka, zāģējot plānus materiālus, izmantojiet seklu zāģēšanas dziļumu.

### Slīpā leņķa noregulēšana

- **Att.7:** 1. Bultiņas rādītājs 2. Bloķēšanas svira

Atbrīvojiet bloķēšanas sviru pretēji pulksteņrādītāja virzienam un pagrieziet rokratu līdz vēlamajam leņķim (0° - 45°). Ar bultiņu norāda slīpo leņķi. Kad iegūts vēlamais leņķis, pievelciet sviru pulksteņrādītāja virzienā, lai nofiksetu šo stāvokli.

#### UZMANĪBU:

- Kad noregulēts vēlamais leņķis, obligāti cieši nostipriniet bloķēšanas sviru.

### Nekustīgo aizturu regulēšana

- **Att.8:** 1. Regulēšanas skrūve 90° 2. Regulēšanas skrūve 45°

- **Att.9**

Darbarīks ir aprīkots ar nekustīgiem aizturiem 90° un 45° grādu leņķī pret galda virsmu. Lai pārbaudītu un noregulētu nekustīgos aizturus, rīkojieties šādi: Griežot rokratu, pārvietojiet to, cik vien iespējams tālu. Novietojiet leņķmēru uz galda un pārbaudiet, vai asmens atrodas 90° un 45° grādu leņķī pret galda virsmu. Ja asmens atrodas leņķī, kā attēlots A zīm., lai noregulētu nekustīgos aizturus, grieziet regulēšanas skrūves pulksteņrādītāja virzienā; ja tas ir leņķī, kā attēlots B zīm., grieziet regulēšanas skrūves pretēji pulksteņrādītāja virzienam.

Pēc nekustīgo aizturu noregulēšanas uzstādiet asmeni 90° leņķī pret galda virsmu. Pēc tam noregulējiet bultiņu tā, lai tās labā mala būtu vērsta pret 0° leņķa iedaļu.

- **Att.10:** 1. Bultiņas rādītājs

### Slēdža darbība

#### UZMANĪBU:

- Noņemiet apstrādājamo materiālu no galda.
- Izslēdziet darbarīku un tad nospiediet RESTART pogu.
- Pirms instrumenta pieslēgšanas vienmēr pārliecinieties, ka tas izslēgts.

### Darbarīkam ar pogas slēdzi

- **Att.11:** 1. Slēdzis 2. Darbības atsākšanas poga

Lai iedarbinātu darbarīku, nospiediet ON ( I ) (ieslēgts) pogu.

Lai to apturētu, nospiediet OFF ( O ) (izslēgts) pogu.

### Darbarīkam ar svirslēdzi

- **Att.12:** 1. Slēdzis 2. Darbības atsākšanas poga

Lai iedarbinātu darbarīku, paceliet slēdža sviru. Lai to apturētu, nolaidiet slēdža sviru uz leju.

### Apakšējais galds (R - labais)

- **Att.13:** 1. Skrūves

- **Att.14:** 1. Apakšējais galds (R - labais)

Šis darbarīks ir aprīkots ar apakšējo galdu (R) galvenā galda labajā pusē. Lai lietotu apakšējo galdu (R) atskrūvējiet divas skrūves labajā pusē pulksteņrādītāja virzienā; izvelciet galdu (R) līdz galam un ieskrūvējiet divas skrūves. Lai nostiprinātu.

## Apakšējais galds (aizmugurē)

► **Att.15:** 1. Skrūves 2. Apakšējais galds (aizmugurē)

Lai izmantotu palīggaldū (aizmugurējo), atbrīvojiet skrūves zem galda gan kreisajā, gan labajā pusē un izvelciet to uz aizmuguri vēlamajā attālumā. Vēlamajā attālumā cieši pievelciet skrūves.

## Bīdām galds

► **Att.16:** 1. Bīdām galds 2. Bloķēšanas plāksne

### ⚠UZMANĪBU:

- Pēc slide table izmantošanas, pārliecinieties to aizslēgt bīdot bloķēšanas plāksni vertikāli.

Darbarīks ir aprīkots ar slide table kreisajā pusē. Slide table bīdās uz priekšu un atpakaļu. Pagrieziet bloķēšanas plāksni uz atpakaļu un priekšu horizontāli pirms to izmantot. Stingri turiet darba materiālu piestiprinot to pie mērisinstrumenta un vienlaicīgi pārbīdiet to ar bīdām galdu cauru veidošanas brīdī.

## MONTĀŽA

### ⚠UZMANĪBU:

- Vienmēr pārliecinieties, vai instruments ir izslēgts un atvienots no barošanas, pirms veicat jebkādas darbības ar instrumentu.

Piegādājot darbarīku no rūpnīcas, zāģa asmens un asmens aizsargs nav uzstādīti tiem paredzētajās vietās. Samontējiet šādi:

## Zāģa asmens uzstādīšana un noņemšana

### ⚠UZMANĪBU:

- Pirms asmens uzstādīšanas vai noņemšanas vienmēr pārbaudiet, vai darbarīks ir izslēgts un atvienots no strāvas.
- Asmeni uzstādiet vai noņemiet tikai ar komplektācijā esošo Makita gala uzgriežņu atslēgu. Ja tā nerīkosieties, seššķautņu bultskrūve būs pieskrūvēta pārāk cieši vai pārāk vaļīgi. Tādējādi var rasties savainojumu risks.
- Izmantojiet šādu zāģa asmeni. Neizmantojiet tādus asmeņus, kas neatbilst šajās instrukcijās noteiktajiem raksturlielumiem.

Modelim	Maks. diam.	Min. diam.	Asmens biezums	Iezāģēšana
MLT100	260 mm	230 mm	1,8 mm vai mazāk	2 mm vai vairāk

### ⚠UZMANĪBU:

- Pirms asmens uzstādīšanas pārbaudiet asmens ass cauruma diametru. Ass caurumam vienmēr izmantojiet pareizo izmantojamā asmens gredzenu.

► **Att.17:** 1. Uzgriežņu atslēga 2. Uzgriežņu atslēga 3. Seššķautņu uzgrieznis

Noņemiet galda starpliku. Turiet ārējo atloku ar uzgriežņu atslēgu un ar to pretēji pulksteņrādītāja virzienam atskrūvējiet seššķautņu uzgriezni.

► **Att.18:** 1. Iekšējais atloks 2. Gredzens 3. Zāģa asmens 4. Ārējais atloks 5. Seššķautņu uzgrieznis

Uz ass uzlieciet iekšējo atloku, gredzenu, zāģa asmeni, ārējo atloku un seššķautņu uzgriezni, pārbaudot, vai asmens zobi ir vērsti pret galda priekšpusi. Seššķautņu uzgriezni vienmēr uzstādiet tā, lai padziļinātā puse būtu vērstā pret ārējo atloku.

## Visām citām valstīm, izņemot Eiropas valstis

### ⚠UZMANĪBU:

- Gredzens ar ārējo diametru 25,4 mm ir rūpnīcā uzstādīts uz vārpstas.

## Eiropas valstīm

### ⚠UZMANĪBU:

- Gredzens ar ārējo diametru 30 mm starp ārējo un iekšējo atloku ir uzstādīts rūpnīcā.
- Rūpējieties, lai uz atloka virsmas neatrastos netīrumi vai citi pielīpuši priekšmeti, jo pretējā gadījumā asmens var slīdēt. Pārbaudiet, vai asmens ir uzstādīts tā, ka zobi atrodas zāģēšanas (griešanas) virzienā.

Lai asmeni nostiprinātu tam paredzētajā vietā, ar divpusēji izliktu uzgriežņu atslēgu turiet ārējo atloku, tad ar to pretēji pulksteņrādītāja virzienam pieskrūvējot seššķautņu uzgriezni. PĀRBAUDIET, VAI SEŠŠKĀUTŅU UZGRIEZNIS IR CIEŠI PIESKRŪVĒTS.

► **Att.19:** 1. Uzgriežņu atslēga 2. Uzgriežņu atslēga

### ⚠UZMANĪBU:

- Rūpējieties, lai seššķautņu uzgriezni ar uzgriežņu atslēgu turētu uzmanīgi. Ja rokturis paslīdēs, uzgriežņu atslēga var nokrist no seššķautņu uzgriežņa, un jūs varat savainot savas rokas uz asajām asmens malām.

## Asmens aizsarga uzstādīšana

► **Att.20:** 1. Asmens aizsargs 2. Šķeļošais nazis 3. asmens aizsarga uzstādīšanas daļu (atbalstu)

► **Att.21:** 1. Asmens aizsargs 2. Šķeļošais nazis

### ⚠UZMANĪBU:

- Pirms asmens aizsarga uzstādīšanas noregulējiet zāģēšanas dziļumu līdz maksimālajam pacēlumam.

## Asmens aizsargam, kas paredzēts visām valstīm, izņemot Eiropas valstis

Noņemiet centrālo aizsargu. Šķeļošo nazi ievietojiet asmens aizsarga uzstādīšanas daļā (atbalstā). Ar atbilstošu uzgriežņu atslēgu pieskrūvējiet seššķautņu bultskrūves (A).

## Asmens aizsargam, kas paredzēts Eiropas valstīm

► **Att.22:** 1. Asmens aizsargs 2. Šķeļošais nazis

► **Att.23:** 1. Asmens aizsargs 2. Šķeļošais nazis

Noņemiet centrālo aizsargu. Šķeļošo nazi ievietojiet asmens aizsarga uzstādīšanas daļā (atbalstā). Ar atbilstošu uzgriežņu atslēgu pieskrūvējiet seššķautņu bultskrūves (A). Asmens aizsargu ievietojiet šķeļošā naža rievā. Nostipriniet asmens aizsargu, griežot sviru, kas atrodas uz tā.

## Asmens aizsargiem, kas paredzēti gan Eiropas valstīm, gan pārējām valstīm, izņemot Eiropas valstis

Šķeļošā naža uzstādīšanas vieta ir noregulēta rūpnīcā tā, lai asmens un šķeļošais nazis būtu taisnā līnijā. Taču, ja tie neatrodas taisnā līnijā, atskrūvējiet seššķautņu bultskrūves (B) un noregulējiet asmens aizsarga uzstādīšanas daļu (atbalstu) tā, lai šķeļošais nazis būtu novietots tieši aiz asmens. Tad pieskrūvējiet seššķautņu bultskrūves (B), lai nostiprinātu atbalstu.

► **Att.24:** 1. Asmens 2. Šiem abiem attālumiem jābūt vienādiem. 3. asmens aizsarga uzstādīšanas daļu (atbalstu) 4. Šķeļošais nazis 5. Seššķautņu bultskrūves (A) 6. Seššķautņu bultskrūves (B)

### ⚠UZMANĪBU:

- Ja asmens un šķeļošais nazis nav pareizi savietoti, darba laikā var rasties bīstama saspišanas riska situācija. Pārbaudiet, vai tie ir pareizi savietoti. Eksploatējot darbarīku ar nepareizi savietotu šķeļošo nazi, jūs varat gūt nopietnus ievainojumus.
- NEKAD neko noregulējiet, kad darbarīks darbojas. Pirms regulēšanas atvienojiet darbarīku no barošanas avota.
- Nenoņemiet šķeļošo nazi.

► **Att.25:** 1. Asmens aizsargs 2. Šķeļošais nazis

Starp šķeļošo nazi un asmens zobiem jābūt apmēram 4–5 mm attālumam. Atskrūvējiet seššķautņu bultskrūves (A) un atbilstoši noregulējiet šķeļošo nazi, kā arī cieši pieskrūvējiet seššķautņu bultskrūves (A). Piestipriniet galda starpliku, tad pirms darba pārbaudiet, vai asmens aizsargs darbojas vienmērīgi.

## Garenzāģēšanas ierobežotāja uzstādīšana un regulēšana

► **Att.26:** 1. Svira

Uzstādiēt garenzāģēšanas ierobežotāju lai ierobežotāju tureklis savienotos ar balkus esošo vitrzošo sliedi. Lai nostiprinātu garenzāģēšanas ierobežotāju, sviru, kas atrodas uz tā turēkļa pagrieziet pilnībā. Lai pārbaudītu, vai garenzāģēšanas ierobežotājs atrodas paralēli asmenim, nostipriniet to 2 - 3 mm tālāk no asmens. Paceliet asmeni līdz maksimālajam pacēlumam. Vienu no asmens zobiem atzīmējiet ar krāsaino zīmuli. Izmēriet attālumu (A) un (B) starp garenzāģēšanas ierobežotāju un asmeni. Abus mērījumus veiciet, izmantojot ar krāsaino zīmuli atzīmētos zobus. Šiem abiem mērījumiem jābūt identiskiem. Ja garenzāģēšanas ierobežotājs nav paralēls asmenim, rīkojieties šādi:

► **Att.27:** 1. Skala

► **Att.28:** 1. Seššķautņu bultskrūves

1. Nostipriniet uzgriežņu atslēgu samazinot sviru.
2. Ar atbilstošu seššķautņu uzgriežņu atslēgu atskrūvējiet abas garenzāģēšanas ierobežotāja seššķautņu bultskrūves.
3. Noregulējiet garenzāģēšanas ierobežotāju, līdz tas atrodas paralēli asmenim.
4. Pieskrūvējiet abas garenzāģēšanas ierobežotāja seššķautņu bultskrūves.

► **Att.29**

### ⚠UZMANĪBU:

- Obligāti noregulējiet garenzāģēšanas ierobežotāju, lai tas atrodas paralēli asmenim, jo pretējā gadījumā var būt bīstama atsietiena situācija.

Paceliet garenzāģēšanas ierobežotāju uz augšu vienā līmenī pret asmens malu. Pārbaudiet, vai pamatnoraide uz ierobežotāja turekļa ir vērsta pret 0 iedaļu. Ja tā nav vērsta pret 0 iedaļu, atskrūvējiet skalas plāksnes skrūvi un noregulējiet skalas plāksni.

► **Att.30:** 1. Vadlīnija 2. Skrūve

## Pievienošana putekļsūcējam

► **Att.31**

Zāģēšanas laikā neizcelsiet putekļi, ja šo darbarīku pievienosiet Makita putekļsūcējam vai putekļu savācējam.

## EKSPLUATĀCIJA

### ⚠UZMANĪBU:

- Vienmēr izmantojiet darba palīgīdzekļus, piemēram, bīdīstienus un bīdīšanas blokus, ja pastāv risks, ka jūsu rokas vai pirksti atradīsies asmens tuvumā.
- Vienmēr turiet apstrādājamo materiālu cieši pie galda un garenzāģēšanas ierobežotāja. Padeves laikā to nelokiet un negrieziet. Ja apstrādājamais materiāls ir salocīts vai sagrozīts, var rasties bīstami atsitieni.
- NEKAD neizņemiet apstrādājamo materiālu ārā, kamēr asmens griežas. Ja apstrādājamais materiāls jāizņem ārā pirms zāģēšana ir pabeigta, vispirms izslēdziet darbarīku, cieši turot apstrādājamo materiālu. Pirms apstrādājamā materiāla izņemšanas nogaidiet, līdz asmens ir pilnībā pārstājis darboties. Neievērojot šo noteikumu, var izraisīt bīstamus atsitienus.
- NEKAD neizņemiet ārā nozāģēto materiālu, kamēr asmens griežas.
- NEKAD zāģa asmens ceļā nelieciet rokas vai pirkstus. Īpaši uzmanieties, zāģējot slīpā leņķī.
- Vienmēr cieši piestipriniet garenzāģēšanas ierobežotāju, jo pretējā gadījumā var izraisīt bīstamus atsitienus.
- Zāģējot nelielu vai šauru apstrādājamo materiālu, vienmēr izmantojiet darba palīgīdzekļus, piemēram, bīdīstienus un bīdīšanas blokus.



## Darba palīgīdzekļi

Bīdstieni, bīdīšanas bloki vai palīgierobežotājs ir darba palīgīdzekļi. Izmantojiet tos, lai zāģētu droši un ar pārliecību, ka operātoram nebūs jāpieskaras asmenim ne ar vienu ķermeņa daļu.

### Bīdīšanas bloks

- **Att.32:** 1. Paralēli priekšpusei/malai 2. Rokturis 3. Kokskrūve 4. Salmīnēt kopā

Izmantojiet 19 mm finiera gabalu.

Rokturim jāatrodas finiera gabala vidū. Piestipriniet ar līmi un kokskrūvēm, kā attēlots. Pie finiera vienmēr jāpielīmē mazs koka gabaliņš 9,5 mm x 8 mm x 50 mm izmērā, lai asmens nekļūtu truls, ja operators nejauši iezāģē bīdīšanas blokā. (Bīdīšanas blokā nekad nedzeniet naglas.)

### Palīgierobežotājs

- **Att.33:** 1. Paralēli priekšpusei/malai

No 9,5 mm un 19 mm finiera gabaliem izveidojiet palīgierobežotāju.

## Garenzāģēšana

### ▲UZMANĪBU:

- Zāģējot gareniski, no galda noņemiet leņķveida mērinstrumentu.
- Zāģējot garus vai lielus materiālus, vienmēr nodrošiniet piemērotu atbalstu aiz galda. NEPIELĀUJĪET, ka garš dēlis uz galda kustētos vai bīdītos. Rezultātā asmens var iestrēgt, un var palielināties atsitiena un ievainojuma risks. Atbalstam jābūt vienādā augstumā ar galdū.

1. Noregulējiet zāģēšanas dziļumu nedaudz augstāk par apstrādājamā materiāla biezumu.

► **Att.34**

2. Novietojiet garenzāģēšanas ierobežotāju vēlamajā garenzāģēšanas platumā un nostipriniet to pagriežot rokturi.
3. Ieslēdziet darbarīku un apstrādājamo materiālu kopā ar garenzāģēšanas ierobežotāju uzmanīgi padodiet asmeni.

- (1) Ja garenzāģēšanas platums ir 150 mm un platāks, ar labo roku uzmanīgi padodiet apstrādājamo materiālu. Ar kreiso roku turiet apstrādājamo materiālu tam paredzētajā vietā pret garenzāģēšanas ierobežotāju.

► **Att.35**

- (2) Ja garenzāģēšanas platums ir 65 mm - 150 mm, ar bīdstieni padodiet apstrādājamo materiālu.

► **Att.36:** 1. Bīdstienis

- (3) Ja garenzāģēšanas platums ir mazāks par 65 mm, bīdstieni nav iespējams izmantot, jo tas atsitīsies pret asmens aizsargu. Izmantojiet palīgierobežotāju un bīdīšanas bloku. Pievienojiet palīgierobežotāju pie garenzāģēšanas ierobežotāja ar divām "C" skavām.

► **Att.37:** 1. Palīgierobežotājs

Padodiet apstrādājamo materiālu ar roku, kamēr tā gals atrodas apmēram 25 mm no galda priekšējās malas. Turpiniet padēvi, izmantojot bīdīšanas bloku palīgierobežotāja augšdaļā, kamēr zāģēšana ir pabeigta.

► **Att.38:** 1. Bīdīšanas bloks 2. Palīgierobežotājs

## Šķērszāģēšana

### ▲UZMANĪBU:

- Zāģējot šķērseniski, noņemiet no galda garenzāģēšanas ierobežotāju.
- Zāģējot garus vai lielus materiālus, vienmēr nodrošiniet piemērotu atbalstu galda malās. Atbalstam jābūt vienādā augstumā ar galdū.
- Vienmēr rūpējieties, lai netuvinātu rokas asmens ceļam.

### Leņķveida mērinstruments

- **Att.39:** 1. Šķērszāģēšana 2. Leņķzāģēšana 3. Slīpenķa zāģēšana 4. Kombinētā leņķzāģēšana (leņķī)

Izmantojiet leņķveida mērinstrumentu 4 veidu zāģēšanai, kā attēlots zīmējumā.

### ▲UZMANĪBU:

- Uzmanīgi nostipriniet rokturi uz leņķveida mērinstrumenta.
- Novērsiet apstrādājamā materiāla un mērinstrumenta pārbīdīšanos, stingri pieturot materiālu, īpaši zāģējot leņķī.
- NEKAD neturiet un nesatveriet apstrādājamā materiāla daļu, ko paredzēts nozāģēt.
- Vienmēr starp leņķveida mērinstrumentu un zāģa asmeni noregulējiet tādu attālumu, kas nepārsniedz 15 mm.

### Leņķveida mērinstrumenta lietošana

- **Att.40:** 1. Leņķveida mērinstruments 2. Rokturis

Bīdīet leņķveida mērinstrumentu galda platajās rievās.

Atbrīvojiet rokturi uz mērinstrumenta un savietojiet to uz vēlamajiem leņķiem (0° līdz 60°). Paceliet detaļu uz augšu vienā līmenī pret ierobežotāju un uzmanīgi iebīdīet asmeni.

## Koka palīgfinierējums (leņķveida mērinstruments)

► **Att.41**

Lai garš dēlis nesvārstītos, uz leņķveida mērinstrumenta novietojiet ierobežošanas palīgdēli. Pēc caurumu izurbšanas pieskrūvējiet ar bultskrūvēm/uzgriežņiem, tomēr stiprinājumi nedrīkst izvīzīties uz āru no finierējuma.

## Darbarīka pārnēsāšana

► **Att.42**

Pārbaudiet, vai darbarīks ir atvienots no barošanas avota.

Pārnēsājiet darbarīku, turot to aiz zīmējumā attēlotās daļas.

### ▲UZMANĪBU:

- Pirms darbarīka pārnēsāšanas vienmēr nostipriniet visas kustīgās daļas.
- Vienmēr pārbaudiet, vai pirms darbarīka pārnēsāšanas asmens aizsargs ir uzstādīts tam paredzētajā vietā.



# APKOPE

## **⚠ UZMANĪBU:**

- Pirms veicat pārbaudi vai apkopi vienmēr pārlicinieties, vai instruments ir izslēgts un atvienots no barošanas.

## **PIEZĪME:**

- Nekad neizmantojiet gazolīnu, benzīnu, atšķaidītāju, spirtu vai līdzīgus šķidrums. Tas var radīt izbalēšanu, deformāciju vai plaisas.

## **Tīrīšana**

Laiku pa laikam iztīriet zāģa putekļus un skaidas. Rūpīgi iztīriet asmens aizsargu un kustīgās daļas galda zāģa iekšpusē.

## **Eļļošana**

Lai galda zāģi saglabātu vislabākajā darba kārtībā un lai nodrošinātu maksimālo ekspluatācijas laiku, laiku pa laikam ieeļļojiet vai iesmērējiet kustīgās un grozāmās daļas.

Eļļošanas vietas:

- Vītņotā vārpsta, kas paceļ asmeni
- Šarnīrs, kas groza korpusu
- Pacelšanas sliedes vārpstas uz dzinēja
- Zobrats, kas paceļ asmeni

## **Ogles suku nomaiņa**

### **► Att.43**

Regulāri izņemiet un pārbaudiet ogles suku. Kad ogles suku ir nolietojušās līdz 3 mm garumam, nomainiet tās. Rūpējieties, lai ogles suku būtu tīras, un pārbaudiet, vai tās var brīvi ievietot turekļos. Abas ogles suku ir jānomaina vienlaicīgi. Izmantojiet tikai identiskas ogles suku.

### **► Att.44: 1. Sukas turekļa vāks 2. Skrūvgriezis**

Ar skrūvgriezi noskrūvējiet suku turekļa vāciņus. Lai nomainītu ogles suku, noņemiet asmens aizsargu un asmeni, tad atbrīvojiet bloķēšanas sviru, paceliet zāģa galvīņu un nostipriniet to 45° slīpā leņķī. Darbarīku uzmanīgi novietojiet uz tā aizmugurējās daļas. Tad atskrūvējiet suku turekļa vāciņu. Izņemiet nolietojušās ogles suku, ievietojiet jaunas un nostipriniet suku turekļa vāciņus.

Lai saglabātu produkta DROŠU un UZTICAMU darbību, remontdarbus, apkopi un regulēšanu uzticiet veikt tikai Makita pilnvarotam apkopes centram un vienmēr izmantojiet tikai Makita rezerves daļas.

# PAPILDU PIEDERUMI

## **⚠ UZMANĪBU:**

- Šādi piederumi un rīki tiek ieteikti lietošanai ar šajā pamācībā aprakstīto Makita instrumentu. Jebkādu citu piederumu un rīku izmantošana var radīt traumu briesmas. Piederumu vai rīku izmantojiet tikai tā paredzētajam mērķim.

Ja jums vajadzīga palīdzība vai precīzāka informācija par šiem piederumiem, vērsieties savā tuvākajā Makita apkopes centrā.

- Garenzāģēšanas ierobežotājs
- Leņķveida mērinstruments
- Uzgriežņu atslēga 24
- Seššķautņu uzgriežņu atslēga 5
- Savienojums (pievienošanai putekļu savācējam)
- Statīva komplekts

## **PIEZĪME:**

- Daži sarakstā norādītie izstrādājumi var būt iekļauti instrumenta komplektācijā kā standarta piederumi. Tie dažādās valstīs var būt atšķirīgi.

## SPECIFIKACIJOS

Modelis	MLT100	
	(Europos šalims)	(ne Europos šalims)
Skylė velenui	30 mm	25 mm ir 25,4 mm
Pjovimo disko skersmuo	260 mm	255 mm
Disko korpuso storis	1,9 mm arba mažiau	
Didž. Pjovimo matmets	90°	93 mm
	45°	64 mm
Greitis be apkrovos (min <sup>-1</sup> )	4 300	
Stalo dydis (I x P)	(685 mm - 835 mm) x (955 mm - 1 305 mm) su papildomais stalais (R) ir (galiniu)	(685 mm - 835 mm) x (955 mm - 1 305 mm) su papildomais stalais (R) ir (galiniu)
Matmenys (I x P x A) su lentele (lentelėmis), neišplėstiniai	726 mm x 984 mm x 333 mm su papildomais stalais (R) ir (galiniu)	726 mm x 984 mm x 333 mm su papildomais stalais (R) ir (galiniu)
Neto svoris	34,1 kg	34,1 kg
Saugos klasė	□/II	

- Atliekame nepertraukiamus tyrimus ir nuolatos tobuliname savo gaminius, todėl čia pateikiamos specifikacijos gali būti keičiamos be įspėjimo.
- Įvairiose šalyse specifikacijos gali skirtis.
- Svoris pagal Europos elektrinių įrankių asociacijos nustatytą metodiką „EPTA -Procedure 01/2003“

## Simboliai

Žemiau yra nurodyti įrangai naudojami simboliai. Prieš naudodami įsitikinkite, kad suprantate jų reikšmę.



Skaitykite naudojimo instrukciją.



DVIGUBA IZOLIACIJA



Dėvėkite apsauginius akinius.



Nekiškite rankų ir pirštų prie geležtės.



Tiktai ES valstybėms  
Neišmeskite elektros įrangos į buitinius šiukšlynus!  
Pagal ES direktyvą dėl naudotos elektros ir elektroninės įrangos ir jos įdiegimo pagal nacionalinius įstatymus, naudota elektros įrangą būtina surinkti atskirai ir nugabenti antrinių žaliavų perdirbimui aplinkai nekenksmingu būdu.

### Paskirtis

Šis įrankis skirtas medienai pjauti.

### Maitinimo šaltinis

Šį įrankį reikia jungti tik prie tokio maitinimo šaltinio, kurio įtampa atitinka nurodytąją įrankio duomenų plokštelėje; galima naudoti tik vienfazį kintamosios srovės maitinimo šaltinį. Jie yra dvigubai izoliuoti, todėl gali būti naudojami prijungus prie elektros lizdų be atžeminimo laido.

### Triukšmas

Tipiškas A svertinis triukšmo lygis nustatytas pagal EN61029:

- Garso slėgio lygis ( $L_{pA}$ ): 92 dB (A)
- Garso galios lygis ( $L_{WA}$ ): 105 dB (A)
- Paklaida (K): 3 dB (A)

**Dėvėkite ausų apsaugas**

## EB atitikties deklaracija

### Tik Europos šalims

EB atitikties deklaracija yra pridedama kaip šio instrukcijų vadovo A priedas.

## Bendrieji perspėjimai darbui su elektriniais įrankiais

**⚠️ ĮSPĖJIMAS** Perskaitykite visus saugos įspėjimus ir instrukcijas. Nesilaikydami žemiau pateiktų įspėjimų ir instrukcijų galite patirti elektros smūgį, gaisrą ir/arba sunkų sužeidimą.

**Išsaugokite visus įspėjimus ir instrukcijas, kad galėtumėte jas peržiūrėti ateityje.**

## PAPILDOMOS ĮRANKIO SAUGOS TAISYKLĖS

### SAUGOKITE ŠIAS INSTRUKCIJAS.

1. Naudokite akių apsaugines priemones.
2. Nenaudokite įrankio, jei aplinkoje yra degių skysčių ar dujų.

3. NENAUDOKITE įrankio su šlifavimo disku.
4. Prieš naudodami, patikrinkite peilius, ar nėra įtrūkimų ar pažeidimų. Nedelsdami pakeiskite įtrūkusį arba apgadintą peilį.
5. Naudokite tik gamintojo rekomenduojamas pjūklo geležtes, atitinkančias EN847-1 standartą, ir atkreipkite dėmesį į tai, kad raizymo peilis negali būti storesnis už pjūklo geležtės atliekamo pjūvio plotį ir plonesnis už geležtės korpusą.
6. Visada naudokite šioje instrukcijoje rekomenduojamus priedus. Naudojant netinkamus priedus, pvz., įpjautus šlifavimo diskus, galima susižeisti.
7. Rinkdamiesi pjūklo geležtes, atsižvelkite į medžiagą, kurią pjausite.
8. Nenaudokite pjūklo geležčių, pagamintų iš greitapjovio plieno.
9. Siekdami sumažinti skleidžiamą triukšmą, pasirūpinkite, kad geležtė būtų aštri ir švari.
10. Naudokite tinkamai pagalastas pjūklo geležtes. Neviršykite maksimalaus greičio, nurodyto ant pjūklo geležtės.
11. Prieš montuodami geležtę, nuvalykite veleną, junges (ypač montavimo paviršius) ir šešiakampę varžlę. Blogai sumontavus geležtes, jos gali pradėti vibruoti / klibėti arba išslysti.
12. Pjūklo geležtės apsauginį įtaisą ir raizymo peilį naudokite visiems veiksams, kuriems jį galima naudoti, įskaitant visas gręžimo kiauurai operacijas. Geležtės apsauginį įtaisą montuokite, vadovaudamiesi šioje instrukcijoje pateiktais nurodymais. Pjovimo kiauurai operacijos - tai operacijos, kurių metu geležtė visiškai perpjauja ruošinį, pvz., rėžiant ar pjaunant kryžmai. JOKIU BŪDU nenaudokite įrankio su sugedusiu geležtės apsauginiu įtaisū arba įtvirtinkite apsauginį įtaisą virve, styga ir pan. Bet kokį geležtės apsauginio įtaiso nukrypimą nuo normos reikia nedelsiant ištaisyti.
13. Baigę darbą, kuriam reikėjo nuimti apsauginį įtaisą, tučiuojau uždėkite apsauginį įtaisą ir raizymo peilį atgal.
14. Nepjaukite metalinių daiktų, pvz., vinių ir varžtų. Prieš dirbdami apžiūrėkite ruošinį ir išimkite visas vinis, varžtus ir kitus pašalinius daiktus.
15. Prieš įjungdami jungiklį, nuimkite nuo stalo varžliarakčius, nuopjovas ir pan.
16. Darbo metu NEGALIMA mėvėti pirštinių.
17. Žiūrėkite, kad rankos būtų kuo toliau nuo pjūklo geležtės linijos.
18. JOKIU BŪDU nestovėkite ir neleiskite stovėti kitiems pjūklo geležtės tako linijoje.
19. Prieš įjungdami jungiklį, patikrinkite, ar geležtė neliečia raizymo peilio ar ruošinio.
20. Prieš naudodami įrankį su ruošiniu, leiskite jam kurį laiką veikti be apkrovos. Atkreipkite dėmesį į vibraciją arba klibėjimą - tai reikštų, kad įrankis netinkamai sumontuotas, arba kad geležtė blogai subalansuota.
21. Šio įrankio nenaudokite skobimui, drožimui ar išdrožų frezavimui.
22. Pakeiskite stalo įdėklą, kai tik jis nusidėvės.
23. JOKIU BŪDU nereguliuokite įrankio jam veikiant. Prieš ką nors reguliuodami, išjunkite įrankį iš elektros tinklo.
24. Prireikus naudokite stumiamąją lazda. Stumiamąsias lazdas BŪTINA naudoti pjaunant siaurus ruošinius, kad rankos ir pirštai būtų kuo toliau nuo geležtės.
25. Nenaudojamos stumiamosios lazdos neišmeskite.
26. Ypatingą dėmesį skirkite nurodymams, kaip sumažinti ATATRANKĄ. ATATRANKA yra staigi reakcija į pjūklo geležtės įstrigimą, sulinkimą ar išsiderinimą. Dėl ATATRANKOS ruošinys išmetamas iš įrankio atgal, operatoriaus link. ATATRANKA GALI RIMTAI SUŽEISTI. ATATRANKOS galite išvengti neleidami geležtei atšipti, išlaikydami specialų įtaisą lygiagrečiai geležtei, laikydami raizymo peilį ir apsauginį geležtės įtaisą jų vietoje ir tinkamai dirbdami: nepaleisdami ruošinio, kol nenustūmėte jo iki galo už geležtės, ir nerėždami ruošinio, kuris yra susisukęs arba deformuotas, arba neturi tiesios briaunos, kuria jį būtų galima stumti palei aptvarą.
27. Jokių veiksmų neatlikite rankomis. „Rankomis“ reiškia laikydami arba nukreipdami ruošinį rankomis, o ne specialiu įtaisū ar kūginiu matuokliu.
28. JOKIU BŪDU netieskite rankos už ar virš pjūklo geležtės. JOKIU BŪDU nesiekite ruošinio, kol geležtė visiškai nesustoja.
29. Stenkitės nestumti ruošinio staigiai ar greitai. Pjaudami kietus ruošinius, stumkite juos kiek galima lėčiau. Stumdami nesulenkite ir nesusukite ruošinio. Jei geležtė įstringa ruošinyje, nedelsiant išjunkite įrankį. Išjunkite įrankį iš elektros tinklo. Tada pašalinkite įstrigimą.
30. JOKIU BŪDU nešalinkite nuopjovų, esančių šalia geležtės, ir nelieskite geležtės apsauginio įtaiso geležtei veikiant.
31. PRIEŠ pradėdami pjauti išmuškite klibančias šakas iš ruošinio.
32. Saugokite laidą. Jokiū būdu netraukite už laido, norėdami jį ištraukti iš lizdo. Saugokite laidą nuo karščio, alyvos, vandens ir aštrių briaunų.
33. Tam tikrose darbo metu atsirandančiose dulksėse yra cheminių medžiagų, kurios sukelia vėžį, apsigimimus ir įvairius žmogaus reprodukcines sistemas sutrikimus. Keli tokių medžiagų pavyzdžiai:
  - švinas iš medžiagos, nudažytos dažais, kurių pagrindą sudaro švinas, ir
  - arsenikas bei chromas ir chemiškai apdorotos medienos.
  - Kuo dažniau dirbate tokius darbus, tuo didesnis šių medžiagų keliamas pavojus. Norėdami sumažinti tokių cheminių medžiagų keliamus pavojus, dirbkite gerai vėdinamose patalpose ir naudokite patvirtintas apsaugines priemones, pvz., kaukes, saugančias nuo dulkių, kurios specialiai sukurtos mikroskopinėms dalelėms sulaikyti.
34. Pjaudami prijunkite įrankį prie dulkių rinktuvo.
35. Apsauginį įtaisą galima pakelti nustatant ruošinį, ir kad būtų lengviau valyti. Prieš įjungdami įrankį į tinklą, būtinai patikrinkite, ar apsauginis gaubtas nuleistas ir yra viename lygyje su pjovimo stalu.

## SAUGOKITE ŠIAS INSTRUKCIJAS.

# SUMONTAVIMAS

## Pjovimo staklių disko padėties nustatymas

- **Pav.1:** 1. Skylės skersmuo 8 mm
- **Pav.2:** 1. 6 mm standartinė poveržlė 2. 10 nr. medvaržtis, minimalus ilgis - 40 mm
- **Pav.3:** 1. 6 mm standartinė poveržlė 2. Tvirtai užveržtas 6 mm montavimo varžtas ir veržlė

Pjovimo stakles statykite gerai apšviestoje, lygiogje vietoje, kurioje galėtumėte tvirtai stovėti ir išlaikyti pusiausvyrą. Jas reikia statyti tokioje vietoje, kurioje būtų pakankamai vietos įvairių dydžių pjovinių tvarkymui. Pjovimo stakles reikia tvirtai pritvirtinti keturiais varžtais arba sraigtais prie darbatalio arba staklių stovo, naudojant staklių apačioje esančias skylės. Tvirtindami stakles ant darbatalio, patikrinkite, ar darbatalyje ir staklių apačioje esančių angų dydis sutampa, kad pro jas galėtų iškristi pjūvenos.

Jeigu įtariate, kad darbo metu staklės gali apsiversti, pasišilinkti arba pajudėti, darbatalį arba staklių stovą reikia pritvirtinti prie grindų.

## Priedų laikymas

- **Pav.4:** 1. Stūmimo lazda
- **Pav.5:** 1. Prapjovos kreiptuvas (kreipiamoji liniuotė) 2. Įžambaus kampo matuoklis

Stūmimo lazda, trikampė liniuotė, pjovimo diskas ir veržliarakčiai gali būti laikomi kairėje pagrindo pusėje, o prapjovos kreiptuvas bei įžambus matuoklis gali būti laikomi dešinėje pagrindo pusėje.

# VEIKIMO APRAŠYMAS

## ▲PERSPĖJIMAS:

- Prieš reguliuodami įrenginį arba tikrindami jo veikimą visada patikrinkite, ar įrenginys išjungtas, o laido kištukas - ištrauktas iš elektros lizdo.

## Pjovimo gylio reguliavimas

- **Pav.6:** 1. Rankena

Pjovimo gylį galima reguliuoti, sukant rankenėlę. Norėdami pakelti pjovimo diską, sukite pjovimo gylio reguliavimo rankenėlę pagal laikrodžio rodyklę, o norėdami jį nuleisti - prieš laikrodžio rodyklę.

## PASTABA:

- Norėdami, kad pjūvis būtų švaresnis, plonoms medžiagoms pjauti nustatykite mažo gylio nustatymą.

## Įstrižo kampo nustatymas

- **Pav.7:** 1. Rodyklės strėlė 2. Fiksavimo svirtelė

Atsukite fiksavimo svirtelę, sukdami prieš laikrodžio rodyklę, ir sukite ranka sukamą ratą, kol nustatysite norimą kampą (0° - 45°). Nuožulnumo kampą rodo rodyklės strėlė.

Nustatę norimą kampą, užveržkite fiksavimo svirtelę, sukdami ją pagal laikrodžio rodyklę, kad nustatymas būtų išsuagotas.

## ▲PERSPĖJIMAS:

- Pareguliuavę nuožulnumo kampą, patikrinkite, ar saugiai užveržėte fiksavimo svirtelę.

## Tikslių kampų reguliavimas

- **Pav.8:** 1. 90° reguliavimo varžtas 2. 45° reguliavimo varžtas

- **Pav.9**

Įrankyje nustatyti tikslūs 90° ir 45° kampai stalo paviršiaus atžvilgiu. Norėdami patikrinti ir pareguliuoti tikslius kampus, atlikite tokius veiksmus:

- Pasukite rankinį ratą iki galo. Ant stalo dėkite trikampę liniuotę ir patikrinkite, ar diskas stalo atžvilgiu yra 90° arba 45° kampu. Jeigu diskas pakreiptas kampu, parodytu A pav., pasukite reguliavimo varžtus pagal laikrodžio rodyklę; jeigu jis pakreiptas B pav. parodytu kampu, pasukite reguliavimo varžtus prieš laikrodžio rodyklę, kad nustatytumėte tikslius kampus.
- Pareguliuavę tikslius kampus, nustatykite diską 90° kampu stalviršio atžvilgiu. Tada nustatykite rodyklės strėlę taip, kad jos dešinysis kraštas būtų ties 0° padala.
- **Pav.10:** 1. Rodyklės strėlė

## Jungiklio veikimas

### ▲PERSPĖJIMAS:

- Nuimkite ruošinį nuo stalo.
- Išjunkite įrankį ir tada paspauskite pakartotinės mygtuką.
- Prieš kišdami įrenginio kištuką į tinklą, visada patikrinkite, ar įrenginys išjungtas.

## Įrankiui su mygtukiniu jungikliu

- **Pav.11:** 1. Jungiklis 2. Pakartotinės paleisties mygtukas

Norėdami įjungti įrankį, spauskite „Įjungti“ (I) mygtuką. Norėdami sustabdyti, spauskite „Išjungti“ (O) mygtuką.

## Įrankiui su svirtiniu jungikliu

- **Pav.12:** 1. Jungiklis 2. Pakartotinės paleisties mygtukas

Įrankiui įjungti, tiesiog paspauskite svirtinį jungiklį. Norėdami sustabdyti, nuleisite svirtinį jungiklį.

## Apatinis stalas (R)

- **Pav.13:** 1. Varžtai
- **Pav.14:** 1. Apatinis stalas (R)

Įrankis tiekiamas su apatine stalo (R) dalimi dešinėje pagrindo stalo pusėje. Norėdami naudoti apatinį stalą, atsukite du varžtus dešinėje pusėje prieš laikrodžio rodyklę, iki galo ištraukite apatinį stalą (R) ir tada priveržkite jį abiem varžtais.

## Apatinis stalas (galinis)

- **Pav.15:** 1. Varžtai 2. Apatinis stalas (galinis)

Norėdami naudoti papildomą stalviršį (nugarinė dalis), atlaisvinkite po stalu kairiojoje ir dešiniojoje pusėse esančius varžtus ir dalį ištraukite iki norimo ilgio. Kai ištrauksite norimo ilgio papildomą stalviršį, saugiai priveržkite varžtus.

## Stumdomas stalas

► **Pav.16:** 1. Stumdomas stalas 2. Fiksavimo plokštė

### ▲ PERSPĖJIMAS:

- Pasinaudoję stumdomoju stalu, patikrinkite, ar užfiksavote jį fiksavimo plokštelę pastatydami vertikaliai.

Jrankis tiekiamas su stumdomoju stalu kairėje pusėje. Stumdomas stalas stumiamas pirmyn ir atgal. Prieš naudodami jį fiksavimo plokštes galinėje ir priekinėje dalyje pasukite į horizontalią padėtį. Laikykite ruošinį tvirtai ant prapjovos kreipiklio naudodami jo spaustuvą ir paspauskite ruošinį kartu su stumdomoju stalu, kai pjaunate.

## SURINKIMAS

### ▲ PERSPĖJIMAS:

- Prieš taisydami įrenginį visada patikrinkite, ar jis išjungtas, o laido kištukas - ištrauktas iš elektros lizdo.

Jrankis iš gamyklos pristatomas su neįrengtais pjovimo disku ir disko apsauga. Sumontavimo darbai:

## Ašmenų įdėjimas ir išėmimas

### ▲ PERSPĖJIMAS:

- Prieš montuodami arba nuimdami diską, visada patikrinkite, ar jrankis išjungtas, o kištukas ištrauktas iš elektros lizdo.
- Disko sumontavimui arba nuėmimui naudokite tik „MAKITA“ galinį raktą. Jeigu naudosite kitą įrankį, galite per daug arba ne iki galo priveržti šešiakampį varžtą. Tai gali kelti sužeidimo pavojų.
- Naudokite tokį pjovimo diską. Nenaudokite pjovimo diskų, kurie neatitinka šiose instrukcijose pateiktų charakteristikų.

Modeliui	Didžiausias skersmuo	Mažiausias skersmuo	Pjovimo disko storis	Prapjova
MLT100	260 mm	230 mm	1,8 mm arba mažiau	2 mm arba daugiau

### ▲ PERSPĖJIMAS:

- Prieš uždėdami pjovimo diską, patikrinkite disko skylės skersmenį. Pasirinkite tinkamą žiedą disko, kurį ketinate naudoti, skylės skersmeniui.

► **Pav.17:** 1. Veržliaraktis 2. Veržliaraktis 3. Šešiakampė veržlė

Ištraukite stalo įvorę iš stalo. Laikykite išorinę tarpinę veržliarakčiu ir kitu veržliarakčiu atsukite šešiakampę veržlę, sukdami prieš laikrodžio rodyklę. Po to nuimkite išorinę tarpinę.

► **Pav.18:** 1. Vidinis kraštas 2. Žiedas 3. Pjovimo diskas 4. Išorinė tarpinė 5. Šešiakampė veržlė

Uždėkite ant veleno vidinę tarpinę, žiedą, pjovimo diską, išorinę tarpinę ir šešiakampę veržlę, patikrindami, ar disko dantys, žiūrint iš priekio, nukreipti žemyn. Šešiakampę veržlę visada dėkite įdubusią jos pusę nukreipę link išorinės tarpinės.

## Visoms šalims, išskyrus Europos šalis

### ▲ PERSPĖJIMAS:

- Gamykloje ant veleno sumontuotas žiedas, kurio išorinis skersmuo - 25,4 mm.

## Europos šalims

### ▲ PERSPĖJIMAS:

- Gamykloje tarp vidinio ir išorinio anbrinaunių yra sumontuotas žiedas, kurio išorinis skersmuo - 30 mm.
- Tarpinės paviršius turi būti švarus ir ant jo neturi būti prilipusių jokių medžiagų; tai gali sukelti pjovimo disko prasydimą. Patikrinkite, ar uždėto pjovimo disko dantys nukreipti pjovimo (sukimosi) kryptimi.

Norėdami užveržti pjovimo diską, alkūniniu veržliarakčiu laikykite išorinę tarpinę, tada veržkite šešiakampę veržlę kitu veržliarakčiu, sukdami pagal laikrodžio rodyklę. PATIKRINKITE, AR SAUGIAI UŽVERŽĖTE ŠEŠIAKAMPĘ VERŽLĘ.

► **Pav.19:** 1. Veržliaraktis 2. Veržliaraktis

### ▲ PERSPĖJIMAS:

- Šešiakampę veržlį laikykite veržliarakčiu atsargiai. Jeigu atleisite, veržliaraktis gali nuslysti nuo šešiakampės veržlės ir susižeisite ranką į aštirus disko kraštus.

## Pjovimo disko apsaugos sumontavimas

► **Pav.20:** 1. Pjovimo disko apsauga 2. Praktavimo peilis 3. disko apsaugos tvirtinimo dalis (stovas)

► **Pav.21:** 1. Pjovimo disko apsauga 2. Praktavimo peilis

### ▲ PERSPĖJIMAS:

- Prieš uždėdami pjovimo disko apsaugą, nustatykite pjūvio gylį į aukščiausią padėtį.

## Kaip sumontuoti neeuropinio tipo disko apsaugą

Nuimkite centrinį gaubtą. Įkiškite praktikimo peilį disko apsaugos įtaisymo dalyje (stove). Pateiktu veržliarakčiu užveržkite šešiakampius varžtus (A).

## Kaip sumontuoti europinio tipo disko apsaugą

► **Pav.22:** 1. Pjovimo disko apsauga 2. Praktavimo peilis

► **Pav.23:** 1. Pjovimo disko apsauga 2. Praktavimo peilis

Nuimkite centrinį gaubtą. Įkiškite praktikimo peilį disko apsaugos įtaisymo dalyje (stove). Pateiktu veržliarakčiu užveržkite šešiakampius varžtus (A). Įtaisykite pjovimo disko apsaugą į griovelį, esantį ant praktikimo peilio. Užtvirtinkite pjovimo disko apsaugą, užsukdami ant jos esančią svirtelę.

## Europietiško ir neeuropietiško tipo pjovimo disko apsaugos

Praktavimo peilio sumontavimo vieta nustatoma gamykloje taip, kad pjovimo diskas ir praktavimo peilis būtų tiesioje linijoje. Tačiau jeigu jie nėra tiesioje linijoje, atlaisvinkite šešiakampius varžtus (B) ir pareguliuokite pjovimo disko apsaugos įtaisymo dalį (stova) taip, kad praktavimo peilis būtų tiesiai už pjovimo disko. Tada užveržkite šešiakampius varžtus (B), kad užtvirtintumėte stovą.

- **Pav.24:** 1. Diskas 2. Šie du atstumai turi būti visiškai vienodi. 3. disko apsaugos tvirtinimo dalis (stovas) 4. Praktavimo peilis 5. Šešiakampiai varžtai (A) 6. Šešiakampiai varžtai (B)

### ▲ PERSPĖJIMAS:

- Jeigu pjovimo diskas ir praktavimo peilis netinkamai sulygiuoti, tokiu įrankiu bus labai pavojinga dirbti. Patikrinkite, ar tie tinkamai sulygiuoti į vieną liniją. Naudodami įrankį su netinkamai sulygiuotu praktavimo peiliu, galite sunkiai susižeisti.
- NIEKADA nedarykite jokių reguliavimų, kai įrankis veikia. Prieš atlikdami bet kokius reguliavimo darbus, pirma atjunkite įrankį nuo maitinimo tinklo.
- Nenuimkite praktavimo peilio.

- **Pav.25:** 1. Pjovimo disko apsauga 2. Praktavimo peilis

Tarp praktavimo peilio ir disko dantų privalo būti maždaug 4 - 5 mm tarpelis. Atsukite šešiakampius varžtus (A), atitinkamai nustatykite praktavimo peilį ir tvirtai užveržkite šešiakampius varžtus (A). Pritvirtinkite stalo įvorę prie stalo, tada, prieš pradėdami pjauti, patikrinkite, ar pjovimo disko apsauga juda nevaržomai.

## Prapjovos užtvartos sumontavimas ir nustatymas

- **Pav.26:** 1. Svirtelė

Sumontuokite prapjovos kreipiklį taip, kad kreipiklio laikiklis užsikabintų už artimojo kreipiklio skersinio. Norėdami užtvirtinti prapjovos kreipiklį, iki galo užsukite ant kreipiklio laikiklio esančią rankenėlę.

Norėdami patikrinti ir užtikrinti, kad prapjovos kreipiklis yra lygiagretus pjovimo diskui, užtvirtinkite prapjovos kreipiklį 2 - 3 mm nuo pjovimo disko. Maksimaliai iškelkite pjovimo diską. Vieną disko dantį pažymėkite spalvota kreida. Išmatuokite atstumus (A) ir (B) tarp prapjovos užtvartos ir pjovimo disko. Abu matmenis matuokite nuo spalvota kreida pažymėto danties. Šie du atstumai turi būti visiškai vienodi. Jeigu prapjovos kreipiklis nelygiagretus pjovimo diskui, atlikite tokius veiksmus:

- **Pav.27:** 1. Skalė

- **Pav.28:** 1. Šešiakampiai varžtai

1. Užtvirtinkite prapjovos kreipiklį ant jo nuleisdami svirtelę.
2. Numatytu veržliarakčiu atlaisvinkite du šešiakampius varžtus, esančius ant prapjovos kreipiklio.
3. Reguluokite prapjovos kreipiklį to, kol jis bus lygiagretus pjovimo diskui.
4. Užsukite du šešiakampius varžtus ant prapjovos kreipiklio.

- **Pav.29**

### ▲ PERSPĖJIMAS:

- Patikrinkite, ar prapjovos užtvartą nustatėte lygiagrečiai pjovimo diskui, kitaip gali susidaryti pavojinga atatranka.

Pakelkite prapjovos kreipiklį aukštesnį lygiai sulig pjovimo disko kraštu. Patikrinkite, ar ant kreipiklio laikiklio pažymėta linija stovi ties 0 padala. Jeigu linija nerodo 0 padalos, atlaisvinkite varžtą, esantį ant padalų plokštės ir pareguliuokite ją.

- **Pav.30:** 1. Kreipiamoji 2. Varžtas

## Prijungimas prie dulkių siurblio

- **Pav.31**

Prijungus prie įrankio „Makita“ dulkių siurblių arba dulkių kolektorių, darbus galima atlikti švariau.

## NAUDOJIMAS

### ▲ PERSPĖJIMAS:

- Visuomet naudokite „pagalbinės priemonės“, pavyzdžiui stūmiklius ir stūmimo priekoles, kur rankomis arba pirštais pastumti pavojingas ir galima susižeisti į pjovimo diską.
- Ruošiny turi tvirtai gulėti ant stalo, prispaustas prie prapjovos kreipiklio. Stumdami ruošinį, niekada jo nesulenkite ir nepasukite. Jeigu ruošinys sulenkintas arba perkreiptas, galima pavojinga atatranka.
- Diskui sukantis, NIEKADA nepaleiskite ruošinio. Jeigu prieš pabaigiant pjauti, ruošinį reikia paleisti, pirmausia, tvirtai laikydami, išjunkite įrankį. Prieš paleisdami ruošinį, palaukite, kol pjovimo diskas visiškai sustos. Nesilaikant šių nurodymų, gali atsirasti pavojinga atatranka.
- NIEKADA nenuimkite nupjautų dalių, kol pjovimo diskas sukasi.
- NIEKADA neikiškite rankų arba pirštų prie pjovimo disko. Ypač būkite atsargūs, darydami nuožulinius pjūvius.
- Visada tvirtai užtvirtinkite prapjovos kreipiklį, nes kitaip gali atsirasti pavojinga atatranka.
- Pjaudami mažus ar siaurus ruošinius, visada naudokitės „pagalbinėmis priemonėmis“, pavyzdžiui, stūmimo lazdomis arba stūmimo trinkelėmis.

## Pagalbinės priemonės

Stūmikliai, stūmimo trinkelės arba papildomas kreiptuvas - tai „pagalbinių priemonių“ rūšys. Naudokitės jais, kad pjauti būtų saugu, o operatoriui nereikėtų liestis prie pjovimo disko.

## Stūmimo lazda

- **Pav.32:** 1. Išorinė/krašto lygiagretė 2. Rankena 3. Medvaržtis 4. Suklijuoti

Naudokite 19 mm storio klijuotos faneros gabalėlį. Rankena turi būti faneros gabalėlio viduryje. Pritvirtinkite ją kljais ir mediniais varžtais, kaip parodyta. Prie faneros reikia priklijuoti mažą 9,5 mm x 8 mm x 50 mm medžio gabalėlį, kad diskas neatbukintų lazdos, jeigu operatorius netyčia į ją įpjautų. (Stūmimo lazdoje niekad nenaudokite vinių).



## Pagalbinis kreipiklis

► **Pav.33:** 1. Išorinė/krašto lygiagrete

Iš 9,5 mm ir 19 mm faneros juostelių pasidarykite atsarginį kreipiklį.

## Prapjovimas

### ⚠ PERSPĖJIMAS:

- Atlikdami prapjovimą, nuimkite nuo stalo kampinį matuoklį.
- Pjaudami ilgus arba didelius ruošinius, visuomet naudokite tinkamas atramas. NELEISKITE, kad ant stalo padėtų ilga lenta pajudėtų arba pasisuktų. Dėl to pjovimo diskas gali sulinkti ir gali padidėti atatrunkos galimybė, taip padidindama susižeidimo pavojų. Atrama turi stovėti tokia pačia aukštyje kaip ir stalas.

1. Pjovimo gylį nustatykite truputį aukščiau už ruošinio storį.

► **Pav.34**

2. Prapjovos kreipiklį nustatykite pagal norimą prapjovos plotį ir užveržkite jį, užsukdami rankenėlę.
3. Įjunkite įrankį ir atsargiai stumkite ruošinį link pjovimo disko, išilgai prapjovos kreipiklio.

(1) Kai prapjovos plotis yra 150 mm ir didesnis, atsargiai dešine ranka stumkite ruošinį. Kaire ranka laikykite ruošinį, prispaudę prie prapjovos kreipiklio.

► **Pav.35**

(2) Jeigu prapjovos plotis yra 65 - 150 mm, ruošinį stumkite stūmimo lazda.

► **Pav.36:** 1. Stūmimo lazda

(3) Jeigu prapjova siauresnė nei 65 mm ir stūmimo lazdos nenaudokite, nes jis atsitreks į pjovimo disko apsaugą. Naudokite papildomą kreipiklį ir stūmimo trinkelę. Dviem „C“ formos varžtuvais pritvirtinkite papildomą kreipiklį prie prapjovos kreipiklio.

► **Pav.37:** 1. Pagalbinis kreiptuvas

Stumkite ruošinį ranka, kol nuo priekinio stalo krašto liks maždaug 25 mm galas. Toliau stumkite, naudodami ant pagalbinio kreipiklio viršaus esančią stūmimo trinkelę, kol pabaigsite pjauti.

► **Pav.38:** 1. Stūmimo trinkelė 2. Pagalbinis kreiptuvas

## Skersinis pjovimas

### ⚠ PERSPĖJIMAS:

- Atlikdami skersinį pjūvį, nuimkite nuo stalo prapjovos kreiptuvą.
- Pjaudami ilgus arba didelius ruošinius, visuomet naudokite tinkamas atramas. Atrama turi stovėti tokia pačia aukštyje kaip ir stalas.
- Rankas laikykite atokiai nuo pjovimo disko.

## Įžambus matuoklis

► **Pav.39:** 1. Skersinis pjovimas 2. Įžambusis pjovimas 3. Įstrižasis pjovimas 4. Kombinuotasis įžambusis (kampų) pjovimas

Kampinį matuoklį naudokite 4 rūšių pjūviams, kaip parodyta piešinyje.

### ⚠ PERSPĖJIMAS:

- Atsargiai užveržkite kampinio matuoklio rankenėlę.
- Naudokite spaustuvus ir prilaikykite ruošinį, kad jis ir matuoklis nepasislinktų, ypač pjaudami kampu.
- NIEKADA nelaikykite ir negriebkite „nupjautos“ ruošinio dalies.
- Visada pareguliuokite atstumą tarp įžambaus matuoklio glo ir pjovimo disko, kad jis neviršytų 15 mm.

## Įžambaus matuoklio naudojimas

► **Pav.40:** 1. Įžambaus kampo matuoklis 2. Rankenėlė

Slinkite įžambų matuoklį storais stalo grioveliais.

Atlaisvinkite matuoklio rankenėlę ir nustatykite norimą kampą (nuo 0° iki 60°). Atremkite ruošinį į kreipiklį ir stumdomąjį stalą, pritvirtinkite spaustuvu ant įžambaus matuoklio ir atsargiai stumkite jį link pjovimo disko.

## Papildoma medžio apsauga (kampinis matuoklis)

► **Pav.41**

Norėdami, kad ilga lenta nesvirduliuotų, prie kampinio matuoklio pritaisykite papildomą kreiptuvo plokštę. Išgręžę skylės, priveržkite varžtais/veržlėmis, tačiau žiūrėkite, kad tvirtinimo detalės nekyšotų iš priekinės plokštės pusės.

## Įrankio nešimas

► **Pav.42**

Patikrinkite, ar įrankis išjungtas.

Neškite įrankį, laikydami jį už paveikslėlyje parodytos dalies.

### ⚠ PERSPĖJIMAS:

- Prieš nešdami įrankį, būtina užtvirtinkite visas judamas dalis.
- Prieš nešdami įrankį, visada įsitinkinkite, ar uždėta pjovimo disko apsauga.

## TECHNINĖ PRIEŽIŪRA

### ⚠ PERSPĖJIMAS:

- Prieš apžiūrėdami ar taisydami įrenginį visada patikrinkite, ar jis išjungtas, o laido kištukas - ištrauktas iš elektros lizdo.

**PASTABA:**

- Niekada nenaudokite gazolino, benzino, tirpiklio, spirito arba panašių medžiagų. Gali atsirasti išblukimų, deformacijų arba įtrūkimų.

## Valymas

Retkarčiai nuvalykite pjūvenas ir drožles. Atsargiai nuvalykite pjovimo disko apsaugą ir pjovimo staklių viduje esančias judamas dalis.



## Tepimas

Norėdami palaikyti gerą pjovimo staklių darbinę būklę ir užtikrinti maksimalų jų eksploataavimo laiką, judamas ir besisukančias dalis retkarčiais patepkite alyva arba tepalu.

Tepimo taškai:

- Sriegiuotas velenas, skirtas pjovimo diskui iškelti
- Šarnyras, skirtas rėmui sukti
- Iškelimo kreiptuvo velenai, esantys variklyje
- Krumpliaratis, skirtas pjovimo diskui pakelti

## Anglinių šepetėlių keitimas

### ► Pav.43

Reguliariai išimkite ir patikrinkite anglinius šepetėlius. Pakeiskite juos, kai nusidėvi iki 3 mm ilgio. Laikykite anglinius šepetėlius švarius ir tikrinkite, ar jie laisvai įslenka į laikiklius. Abu angliniai šepetėliai turėtų būti keičiami tuo pačiu metu. Naudokite tik identiškus anglinius šepetėlius.

### ► Pav.44: 1. Šepetėlio laikiklio dangtelis 2. Atsuktuvus

Jei norite nuimti šepetėlių laikiklių dangtelius, pasinaudokite atsuktuvu. Norėdami pakeisti anglinius šepetėlius, nuimkite pjovimo disko apsaugą ir pjovimo diską ir tada atlaisvinkite fiksavimo svirtelę, pakelkite pjovimo galvutę ir užtvirtinkite ją įžambiu 45° kampu. Atsargiai paguldykite įrankį ant jo užpakalinės dalies. Tada atlaisvinkite šepetėlio laikiklio dangtelį. Išimkite sudėvėtus anglinius šepetėlius, įdėkite naujus ir įtvirtinkite šepetėlių laikiklių dangtelius.

Kad gaminsys būtų SAUGUS ir PATIKIMAS, jį taisyti, apžiūrėti ar vykdyti bet kokią kitą priežiūrą ar derinimą turi įgaliotasis kompanijos „Makita“ techninės priežiūros centras; reikia naudoti tik kompanijos „Makita“ pagamintas atsargines dalis.

## PASIRENKAMI PRIEDAI

### PERSPĖJIMAS:

- Su šiaime vadove aprašytu įrenginiu „Makita“ rekomenduojama naudoti tik nurodytus priedus ir papildomus įtaisus. Jeigu bus naudojami kitokie priedai ar papildomi įtaisai, gali būti sužaloti žmonės. Priedus arba papildomus įtaisus naudokite tik pagal paskirtį.

Jeigu norite daugiau sužinoti apie tuos priedus, kreipkitės į artimiausią „Makita“ techninės priežiūros centrą.

- Prapjovos kreipiklis
- Įžambus matuoklis
- 24 nr. veržliaraktis
- 5 nr. šešiakampis veržliaraktis
- Sujungimas (dulkių kolektoriaus prijungimui)
- Staklių stovo komplektas

### PASTABA:

- Kai kurie sąraše esantys priedai gali būti pateikti įrankio pakuotėje kaip standartiniai priedai. Jie įvairiose šalyse gali skirtis.

## TEHNILISED ANDMED

Mudel		MLT100	
		(Euroopa riigid)	(riigid väljaspool Euroopat)
Võlliava		30 mm	25 mm ja 25,4 mm
Tera läbimõõt		260 mm	255 mm
Saelehe paksus		1,9 mm või alla selle	
Max löikeulatus	90°	93 mm	90,5 mm
	45°	64 mm	63 mm
Pöörlemissagedus koormuseta (min <sup>-1</sup> )		4 300	
Laua suurus (P x L)		(685 mm - 835 mm) x (955 mm - 1 305 mm) aluslaudadega (R) ja (taga)	(685 mm - 835 mm) x (955 mm - 1 305 mm) aluslaudadega (R) ja (taga)
Mõõtmed (P x L x K) pikendamata lauaga (laudadega)		726 mm x 984 mm x 333 mm aluslaudadega (R) ja (taga)	726 mm x 984 mm x 333 mm aluslaudadega (R) ja (taga)
Netomass		34,1 kg	34,1 kg
Kaitseklass		□/II	

- Meie jätkuva teadus- ja arendustegevuse programmi tõttu võidakse siin antud tehnilisi andmeid muuta ilma ette teatamata.
- Tehnilised andmed võivad olla riigiti erinevad.
- Kaal vastavalt EPTA protseduurile 01/2003

### Sümbolid

Järgnevalt kirjeldatakse seadmetel kasutatavaid tingimärke. Veenduge, et olete nende tähendusest aru saanud enne seadme kasutamist.



Lugege kasutusjuhendit.



KAHEKORDNE ISOLATSIOON



Kasutage kaitseprille.



Ärge asetage kätt ega sõrmi lõiketera lähedale.



Üksnes ELI liikmesriikidele  
Ärge käidelda kasutuskoõlbmatuks muutunud elektriseadmeid koos olmejäätmetega! Vastavalt Euroopa Parlamendi ja Nõukogu direktiivile elektri- ja elektroonikaseadmete jäätmete kohta ning direktiivi nõuete kohaldamiseks liikmesriikides tuleb kasutuskoõlbmatuks muutunud elektriseadmed koguda eraldi ja keskkonnasäästlikult korduskasutada või ringlusesse võtta.

### Ettenähtud kasutamine

Tööriist on ette nähtud puidu lõikamiseks.

#### Toiteallikas

Seadet võib ühendada ainult andmesildil näidatud pingele vastava pingega toiteallikaga ning seda saab kasutada ainult ühefaasilisel vahelduvvoolutoitel. Seadmel on kahekordne isolatsioon ning seega võib seda kasutada ka ilma maandusjuhtmeta pistikupespa ühendatult.

### Müra

Tüüpiline A-korrigeeritud müratase vastavalt EN61029:

Mürarõhutase ( $L_{pA}$ ): 92 dB (A)

Müravõimsustase ( $L_{WA}$ ): 105 dB (A)

Määramatus (K): 3 dB (A)

### Kandke kõrvakaitsemeid

## EÜ vastavusdeklaratsioon

### Ainult Euroopa riikide puhul

EÜ vastavusdeklaratsioon sisaldub käesoleva juhendi Lisas A.

## Üldised elektritööriistade ohutushoiatused

**⚠ HOIATUS Lugege läbi kõik ohutushoiatused ja juhised.** Hoiatuste ja juhiste mittejärgmine võib põhjustada elektrišokki, tulekahju ja/või tõsisid vigastusi.

**Hoidke alles kõik hoiatused ja juhised edaspidisteks viideteks.**

## TAIENDAVALD TÖÖRIISTA OHUTUSNORMID

### HOIDKE JUHEND ALLES.

1. **Kasutage silmakaitseid.**
2. **Ärge kasutage tööriista tuleohtlike vedelike ega gaaside läheduses.**
3. **ÄRGE KUNAGI kasutage tööriista lihvkettaga.**
4. **Enne toimingu teostamist kontrollige hoolikalt, et lõiketeral poleks mõrasid või vigastusi. Asendage pragunenud või vigastatud lõiketera viivitamatult.**

5. Kasutage ainult tootja poolt soovitatud saeterasid, mis vastavad EN847-1 nõuetele, ja jälgige, et lõhestusnuga ei oleks paksem kui saetera poolt tehtav sisselõige ja mitte õhem kui lõiketera.
6. Kasutage alati selles kasutusjuhendis soovitatud tarkvikuid. Sobimatute tarkvikute nagu lihvketaste kasutamine võib põhjustada kehavigastuse.
7. Valige saetera vastavalt lõigatavale materjalile.
8. Ärge kasutage kiirlõiketerasest valmistatud saeterasid.
9. Mõra vähendamiseks veenduge alati, et lõiketera on terav ja puhas.
10. Kasutage õigesti teritatud saeterasid. Järgige saeterale määratud maksimaalset kiirust.
11. Enne lõiketera paigaldamist puhastage võlli, äärikud (eriti nende paigalduspind) ja kuuskantmutter. Väär paigaldus võib põhjustada lõiketera vibratsiooni/vibamise või libisemise.
12. Kasutage saetera piiret ja lõhestusnuga kõigi toimingute puhul, kus neid saab kasutada, kaasa avatud kõik läbisaagimistoimingud. Paigaldage terapiire alati vastavalt käesolevas kasutusjuhendis kirjeldatud juhistele. Läbisaagimistoimingutes läbib lõiketera töödeldavat detaili täielikult, näiteks piki- või ristisuunas läbisaagimine. **ÄRGE KUNAGI** kasutage tööriista vale terapiirdega ega kinnitage terapiiret kõiega, nõoriga jne. Terapiirde mistahes reeglipärast talitlust tuleb viivitamatult korrigeerida.
13. Paigaldage piire ja lõhestusnuga tagasi otsekohe pärast piire eemaldamist nõudva toimingu teostamist.
14. Vältige sisselõikamist metalobjektidesse, nagu naelad ja kruvid. Enne toimingu teostamist kontrollige töödeldavat detaili ja eemaldage sellest kõik naelad, kruvid ja muud võõrkehad.
15. Enne lüliti sisselülitamist eemaldage laualt mutrivõtmed, mahalõigatud tükid jne.
16. **ÄRGE KUNAGI** kandke kindaid toimingu teostamisel.
17. Hoidke käed eemal saetera liikumispiirkonnast.
18. **ÄRGE KUNAGI** seiske ega lubage kellelgi teisel seista ühel joonel saetera liikumisteega.
19. Veenduge, et lõiketera ei puuduta lõhestusnuga ega töödeldavat detaili enne lüliti sisselülitamist.
20. Enne tööriista kasutamist tegelikus töökeskkonnas laske sellel mõnda aega töötada. Jälgige vibratsiooni või vibamist, mis võib tähendada väärt paigaldust või halvasti tasakaalustatud lõiketera.
21. Tööriista ei tohi kasutada soonte lõikamiseks, astmetaoliste sisselõigete tegemiseks ega rihveldamiseks.
22. Asendage kulunud sisestuslaud.
23. **ÄRGE KUNAGI** teostage mis tahes reguleerimisi, kui tööriist töötab. Enne reguleerimiste teostamist lülitage tööriist välja.
24. Vajaduse korral kasutage tõukurtokki. Tõukurtokke PEAB kasutama kitsaste töödeldavate detailide pikisaagimisel hoidmaks käsi ja sõrmi lõiketerast võimalikult kaugel.
25. Varustage ennast alati tõukurtokiga.
26. Pöörake erilist tähelepanu **TAGASILÕÖGI** riski vähendamise juhistele. **TAGASILÕÖK** on äkiline reaktsioon kinnikiilunud, kinnipigistatud või orientatsiooni kaotanud saeterale. **TAGASILÕÖK** põhjustab töödeldava detaili väljatõukumist tööriistast tagasi operatori suunas. **TAGASILÕÖGID VÕIVAD PÕHJUSTADA TÕSISE KEHAVIGASTUSE**. Vältige **TAGASILÕÖKE**, kasutades teravaid lõiketerasid, hoides juhtjoonlauda paralleelselt lõiketeraga, hoides lõhestusnuga ja terapiiret omal kohal ja töökorras, mitte vabastades töödeldavat detaili enne, kui te pole seda kogu tee ulatuses lõiketera alt läbi tõuganud, ja mitte lõigates töödeldavat detaili, mis on väändunud või kõverdunud või millel puudub sirge serv juhtimaks seda piki juhtjoonlauda.
27. Ärge teostage ühtegi toimingut ainult käte abil. Ainult käte abil tähendab oma käte kasutamist töödeldava detaili toetamiseks või juhtimiseks juhtjoonlauda või nurgamõõteriista kasutamise asemel.
28. **ÄRGE KUNAGI** sirutage kätt ümber ega üle saetera. **ÄRGE KUNAGI** sirutage kätt töödeldava detaili järele enne, kui saetera on täielikult seisunud.
29. Vältige järsku, kiiret etteandmist. Raskete töödeldavate detailide lõikamisel andke neid ette võimalikult aeglaselt. Ärge painutage ega väänake töödeldavaid detaile nende etteandmisel. Kui lõiketera seiskub või kiilub kinni töödeldavas detailis, lülitage tööriist viivitamatult välja. Tõmmake tööriista toitejuhe voolukontaktist välja. Seejärel kõrvaldage ummistus.
30. **ÄRGE KUNAGI** eemaldage mahalõigatud tükke lõiketera läheduses ega puudutage terapiiret, kui lõiketera töötab.
31. **ENNE** lõikamist koputage töödeldavast detailist välja mis tahes lahtised oksakohad.
32. Ärge kahjustage toitejuhet. Ärge kunagi siktage toitejuhet pistikupesast välja. Vältige toitejuhtme kokkupuudet kuumuse, õli, vee ja teravate servadega.
33. Töö käigus tekkinud tolm võib sisaldada kemikaale, mida teatakse kui vähki-, sünnidefekte või muid soo jätkamisega seotud kahjustusi tekitavaid. Mõned näited selliste kemikaalide kohta on:
  - plii pliipõhise värviga kaetud materjalist ja
  - arseen ning kroom keemiliselt töödeldud saematerjalist.
  - Olenevalt sillest, kui sageli te seda tüüpi tööga kokku puutute, varieerub ka riski suurus haigestuda eespool nimetatud haigustesse, mida nende ainete mõju all viibimine võib põhjustada. Nimetatud kemikaalide mõju vähendamiseks: töötage hästi ventileeritavas piirkonnas ja kasutage heakskiidetud kaitsevahendeid, nagu näiteks spetsiaalselt mikroosakeste filtreerimiseks mõeldud tolmumask.
34. Saagimisel ühendage tööriist tolmukogumisseadmega.
35. Piiret saab kergitada töödeldava detaili paigalduse ajal ja puhastamise hõlbustamiseks. Enne tööriista vooluvõrku ühendamist veenduge alati, et piirdekate on all ja ühetasaselt vastu saagimislauda.

## HOIDKE JUHEND ALLES.

# PAIGALDAMINE

## Sae paigutamine

- ▶ **Joon.1:** 1. Augu läbimõõt 8 mm
- ▶ **Joon.2:** 1. 6 mm standardseib 2. 40 mm pikkune puidukruvi nr 10
- ▶ **Joon.3:** 1. 6 mm standardseib 2. 6 mm paigalduspolt ja mutter, keerata korralikult kinni

Paigutage lausaag hästi valgustatud ja loodis pinnale, kus teil on kindel jalgealune ja saate tasakaalu hoida. See tuleks paigaldada kohta, kus on töödeldavate detailide käsitsemiseks piisavalt ruumi. Lauasaag tuleb kinnitada nelja kruvi või poldi abil tööpingi või lausae tugilaua külge, kasutades lausae põhjal olevaid avasid. Lauasae kinnitamisel tööpingi külge veenduge, et tööpingil on lausae põhjal oleva avaga samasuurune ava, mille kaudu saab saepuru eemaldada. Kui lausaag kipub töö käigus ümber minema, libisema või liikuma, tuleb tööpink või lausae tugilaud kinnitada põranda külge.

## Tarvikute hoidmine

- ▶ **Joon.4:** 1. Tõukevarras
- ▶ **Joon.5:** 1. Piire (juhtjoolaud) 2. Eerungimõõdik

Tõukevarrast, kolmnurkjoolauda, tera ja mutrivõtmeid saab talletada aluse vasakul küljel ning juhtjoolaua ja eerungimõõdiku saab talletada aluse paremal küljel.

# FUNKTSIONAALNE KIRJELDUS

## ⚠ETTEVAATUST:

- Kandke alati hoolt selle eest, et tööriist oleks enne reguleerimist ja kontrollimist välja lülitatud ja vooluvõrgust lahti ühendatud.

## Lõikesügavuse reguleerimine

- ▶ **Joon.6:** 1. Käepide

Lõikesügavust võib reguleerida käepidet keerates. Tera tõstmiseks keerake käepidet päripäeva või langetamiseks vastupäeva.

## MÄRKUS:

- Õhukeste materjalide lõikamiseks kasutage madalat lõikesügavust, et lõige tuleks puhtam.

## Kaldenurga reguleerimine

- ▶ **Joon.7:** 1. Noolosuti 2. Lukustushoob

Lõdvendage lukustushooba vastupäeva ja keerake kruviratast soovitud nurga (0°–45°) saamiseni. Kaldenurka näitab noolosuti.

Pärast soovitud nurga saamist keerake lukustushoob seadistuse fikseerimiseks kinni.

## ⚠ETTEVAATUST:

- Pärast kaldenurga reguleerimist keerake lukustushoob kindlasti korralikult kinni.

## Astmete reguleerimine

- ▶ **Joon.8:** 1. 90° reguleerkruvi 2. 45° reguleerkruvi
- ▶ **Joon.9**

Tööriistal on astmed laua pinna suhtes 90° ja 45° nurga all. Astmete kontrollimiseks ja reguleerimiseks toimige järgmiselt: Keerake kruviratast nii palju kui võimalik. Asetage lauale kolmnurkjoolaud ja kontrollige, kas tera on laua pinna suhtes 90° või 45° nurga all. Kui tera on joonisel A kujutatud nurga all, keerake reguleerkruve astmete reguleerimiseks päripäeva; kui see on joonisel B kujutatud nurga all, keerake reguleerkruve vastupäeva.

Pärast astmete reguleerimist seadke tera laua pinna suhtes 90° nurga alla. Seejärel reguleerige noolosuti nii, et selle parempoolne serv oleks kohakuti 0° astmega.

- ▶ **Joon.10:** 1. Noolosuti

## Lüliti funktsioneerimine

### ⚠ETTEVAATUST:

- Eemaldage detail laualt.
- Lülitage tööriist välja ja seejärel vajutage taas käivitamise nuppu.
- Kandke enne tööriista vooluvõrku ühendamist alati hoolt selle eest, et tööriist oleks välja lülitatud.

## Nupplülitiga seadmele

- ▶ **Joon.11:** 1. Lüliti 2. Taaskäivitusnupp

Tööriista käivitamiseks vajutage sisselülitusnuppu ON (I). Seiskamiseks vajutage väljalülitusnuppu OFF (O).

## Hooplülitiga seadmele

- ▶ **Joon.12:** 1. Lüliti 2. Taaskäivitusnupp

Tööriista käivitamiseks tõstke hooplüliti. Seiskamiseks langetage hooplüliti.

## Aluslaud (R)

- ▶ **Joon.13:** 1. Kruvid
- ▶ **Joon.14:** 1. Aluslaud (R)

See tööriist on varustatud aluslauaga (R), mis paikneb põhilaua paremal küljel. Aluslaua (R) kasutamiseks keerake kaks paremal asuvat kruvi vastupäeva osaliselt lahti, tõmmake laud (R) täies ulatuses välja ja keerake kruvid laua fikseerimiseks kinni.

## Aluslaud (taga)

- ▶ **Joon.15:** 1. Kruvid 2. Aluslaud (taga)

Aluslaua (tagumine) kasutamiseks keerake parem – ja vasakpoolsed laua all olevad kruvid lahti ning tõmmake aluslaud tagurpidi soovitud pikkuses välja. Pärast soovitud pikkuse reguleerimist, keerake kruvid korralikult kinni.

## Lükandlaud

- ▶ **Joon.16:** 1. Lükandlaud 2. Lukustusplaat

### ⚠ETTEVAATUST:

- Ärge unustage pärast lükandlaua kasutamist seda lukustada, nihutades plaadi vertikaalasendisse.

Tööpingi vasakul küljel paikneb lükandlaud. Lükandlauda saab edasi-tagasi suunas nihutada. Enne lükand laua kasutamist nihutage lukustusplaadid taga- ja esiküljel horisontaalasendisse. Hoidke detaili eeringimõõdikuga kindlalt kinni, kasutades eeringimõõdiku klambrit, ja libistage lauda lõikamise ajal.

## KOKKUPANEK

### ⚠ETTEVAATUST:

- Kandke alati enne tööriistal mingite tööde teostamist hoolt selle eest, et see oleks välja lülitatud ja vooluvõrgust lahti ühendatud.

Tööriista tarnimise tehases ei ole saetera ja terakaitsme paigaldatud. Pange kokku järgmiselt:

## Saelehe paigaldamine ja eemaldamine

### ⚠ETTEVAATUST:

- Kandke alati hoolt selle eest, et tööriist oleks enne tera paigaldamist või eemaldamist välja lülitatud ja vooluvõrgust lahti ühendatud.
- Tera paigaldamiseks ja eemaldamiseks kasutage ainult kaasasolevat Makita otsmutrivõti. Vastasel korral võib kuuskantpoldi kinnitus osutada liiga tugevaks või jääda ebapiisavaks. See võib tekitada vigastusi.
- Kasutage järgmist saetera. Ärge kasutage saeteri, mis ei vasta käesolevates juhistes toodud parameetritele.

Mudel	Max läbimõõt	Min läbimõõt	Tera paksus	Sisselõige
MLT100	260 mm	230 mm	1,8 mm või alla selle	2 mm või üle selle

### ⚠ETTEVAATUST:

- Enne tera paigaldamist kontrollige selle teljeava läbimõõtu. Kasutage alati õiget rõngast, mis vastab tera teljeavale.

► **Joon.17:** 1. Mutrivõti 2. Mutrivõti 3. Kuuskantmutter

Eemaldage laualt vahetükk. Hoidke välimist flanši mutrivõtmega ja lõdvendage kuuskantmutrit võtmega vastupäeva. Seejärel eemaldage väline flanš.

► **Joon.18:** 1. Sisemine flanš 2. Rõngas 3. Saetera 4. Välimine flanš 5. Kuuskantmutter

Paigaldage sisemine flanš, rõngas, saetera, välimine flanš ja kuuskantmutter võlli otsa, veendudes, et terahambad on suunatud alla laua esikülje poole. Paigaldage kuuskantmutter alati nii, et selle süvendiga külg jääb välimise flanši poole.

## Kõik riigid väljaspool Euroopat

### ⚠ETTEVAATUST:

- Tehases on võlliile paigaldatud 25,4 mm välisläbimõõduga rõngas.

## Euroopa riigid

### ⚠ETTEVAATUST:

- Tehases on sisemise ja välimise flanši vahele paigaldatud 30 mm välisläbimõõduga rõngas.
- Puhastage flanši pind mustusest ja muust sellele kinnitunud ollusest, mis võib põhjustada tera libisemist. Veenduge, et tera on paigaldatud selliselt, et hambad on joondatud lõikesuunas (pöörlemissuunas).

Tera kohalefikseerimiseks hoidke välimist flanši nihkmutrivõtmega, seejärel keerake kuuskantmutter mutrivõtmega abil päripäeva kinni. KEERAKE KUUSKANTMUTTER KINDLASTI KORRALIKULT KINNI.

► **Joon.19:** 1. Mutrivõti 2. Mutrivõti

### ⚠ETTEVAATUST:

- Hoidke kuuskantmutrit mutrivõtmega kindlasti korralikult kinni. Kui käsi libiseb, võib mutrivõti kuuskantmutri küljest lahti tulla ja käsi võib sattuda vastu tera teravaid servi.

## Terakaitsme paigaldamine

► **Joon.20:** 1. Terakaitsme 2. Lõhestusnuga 3. terakaitsme paigaldusosa (tugi)

► **Joon.21:** 1. Terakaitsme 2. Lõhestusnuga

### ⚠ETTEVAATUST:

- Enne terakaitsme paigaldamist reguleerige lõikesügavus maksimumkõrgusele.

## Mitte-Euroopa tüüpi terakaitsme kohta

Eemaldage keskmine kate. Sisestage lõhestusnuga terakaitsme paigaldusosasse (tugi). Keerake kuuskantpoldid (A) kaasasoleva mutrivõtmega abil kinni.

## Euroopa tüüpi terakaitsme kohta

► **Joon.22:** 1. Terakaitsme 2. Lõhestusnuga

► **Joon.23:** 1. Terakaitsme 2. Lõhestusnuga

Eemaldage keskmine kate. Sisestage lõhestusnuga terakaitsme paigaldusosasse (tugi). Keerake kuuskantpoldid (A) kaasasoleva mutrivõtmega abil kinni. Asetage terakaitsme lõhestusnoal olevasse soonde. Kinnitage terakaitsme, nihutades sellel olevat hooa.

## Nii Euroopa kui mitte-Euroopa tüüpi terakaitsme kohta

Lõhestusnuga on tehases paika seatud nii, et tera ja lõhestusnuga on sirgjoonel. Kui need pole aga sirgjoonel, keerake lahti kuuskantpoldid (B) ja reguleerige terakaitsme paigaldusosa (tugi) nii, et lõhestusnuga oleks joondatud otse tera taha. Seejärel keerake kuuskantpoldid (B) toe fikseerimiseks kinni.

► **Joon.24:** 1. Saeleht 2. Nimetatud kaks vahemaad peavad olema võrdsed. 3. terakaitsme paigaldusosa (tugi) 4. Lõhestusnuga 5. Kuuskantpoldid (A) 6. Kuuskantpoldid (B)

### **⚠ETTEVAATUST:**

- Kui tera ja lõhestusnuga pole korralikult joon-  
datud, võib töö käigus esineda tera ohtlikku  
kinnijäämist lõikesoonde. Veenduge, et need  
on korralikult joondatud. Kui kasutate korralikult  
joondamata lõhestusnoaga tööriista, riskite  
raskete kehavigastustega.
- **ÄRGE KUNAGI** reguleerige töötavat tööriista.  
Enne reguleerimist ühendage tööriist vooluvõr-  
gust lahti.
- Ärge eemaldage lõhestusnuga.

#### ▶ **Joon.25:** 1. Terakaitse 2. Lõhestusnuga

Lõhestusnoa ja saeketta hammaste vahele peab jääma  
ligikaudu 4–5 mm vahe. Keerake kuuskantmutrid (A)  
lahti, reguleerige lõhestusnuga vastavalt vajadusele ja  
keerake kuuskantmutrid (A) korralikult kinni. Pange laua  
vahetükk laua külge, seejärel kontrollige enne saagima  
asumist, kas saekettakaitse töötab sujuvalt.

### **Piirde paigaldamine ja reguleerimine**

#### ▶ **Joon.26:** 1. Hoob

Paigaldage piire nii, et piirde hoidik haardub lähima  
juhikuga.

Piirde fikseerimiseks pöörake piirde hoidikule olevat  
hoob lõpuni.

Veendumaks, et piire asetseb teraga paralleelselt,  
fikseerige piire 2-3 mm kaugusele terast. Tõstke tera  
üles maksimumkõrgusele. Märgistage üks terahammast  
pliatsiga. Mõõdistage vahemaa (A) ja (B) piirde ning  
tera vahel. Mõlemad mõõdud võtke pliatsiga märgitud  
terahamba alusel. Nimetatud kaks mõõtu peavad olema  
ühesugused. Kui piire pole teraga paralleelne, toimige  
järgmiselt:

#### ▶ **Joon.27:** 1. Skaala

#### ▶ **Joon.28:** 1. Kuuskantpoldid

1. Fikseerige piire, langetades hoova sellele.
2. Keerake kaasasoleva kuuskantvõtme abil lahti  
kaks piirdel olevat kuuskantpolti.
3. Reguleerige piiret, kuni see asetub teraga  
paralleelselt.
4. Keerake piirde kaks kuuskantpolti kinni.

#### ▶ **Joon.29**

### **⚠ETTEVAATUST:**

- Reguleerige piire teraga kindlasti paralleel-  
seks, vastasel korral võib esineda ohtlikke  
tagasilööke.

Tooge piire üles vastu tera külge ja sellega ühele joo-  
nele. Veenduge, et piirde hoidikule olev juhik osutab  
0 kraadile. Kui juhik ei osuta 0 kraadile, keerake lahti  
skaalaplaadil olev kruvi ja reguleerige skaalaplaati.

#### ▶ **Joon.30:** 1. Juhik 2. Kruvi

### **Ühendamine tolmuimejaga**

#### ▶ **Joon.31**

Ühendades tööriista Makita tolmuimejaga või tolmu-  
guriga, saab töötada puhtamalt.

## **TÖÖRIISTA KASUTAMINE**

### **⚠ETTEVAATUST:**

- Kui on oht, et käed või sõrmed võivad tera  
lähedusse sattuda, kasutage alati abivahendeid  
- tõukevardaid ja tõukeklotse.
- Hoidke töödeldavat detaili kindlalt laua ja piirde  
või eerungimõõdiku abil. Ärge seda etteandmisel painu-  
tage ega väänake. Kui töödeldav detail on paindes  
või väändes, võib esineda ohtlikke tagasilööke.
- **ÄRGE KUNAGI** tõmmake detaili tagasi, kui tera pöör-  
leb. Kui on tarvidus eemaldada töödeldav detail enne  
lõike lõpetamist, siis lülitage esmalt tööriist välja,  
hoides töödeldavat detaili samal ajal tugevasti kinni.  
Enne töödeldava detaili eemaldamist oodake tera  
täieliku seiskumiseni. Vastasel korral võib esineda  
ohtlikke tagasilööke.
- **ÄRGE KUNAGI** eemaldage äralõigatud mater-  
jali tera pöörlemise ajal.
- **ÄRGE KUNAGI** pange oma käsi või sõrmi saetera  
teele. Eriti ettevaatlik olge kaldlõigetel puhul.
- Fikseerige piire alati korralikult, vastasel korral  
võib esineda ohtlikke tagasilööke.
- Kasutage väikeste või õhukeste detailide lõika-  
misel alati abivahendeid nagu tokid ja plokid.

### **Abivahendid**

Nimetatud abivahenditeks on tõukevardad, tõukeklotsid ja  
lisapiire. Nende kasutamisel väldib tööriista kasutaja lõigete  
teostamisel oma kehaosade kokkupuudet teraga.

### **Tõukeklots**

#### ▶ **Joon.32:** 1. Esikülje/servaga paralleelne 2. Käepide 3. Puidukruvi 4. Liimige kokku

Kasutage 19 mm vineeritükki.

Käepide peaks paiknema vineeritüki keskjoonel.

Kinnitamiseks kasutage liimi ja puidukruvisid, nagu  
näidatud. Vineeri külge tuleb alati liimida väike puidu-  
tükk mõõitudega 9,5 mm x 8 mm x 50 mm, et hoida tera  
nürinemise eest, kui operaator kogemata klotsi lõikab.  
(Ärge kasutage tõukeklotsi valmistamisel kunagi naelu.)

### **Lisapiire**

#### ▶ **Joon.33:** 1. Esikülje/servaga paralleelne

Valmistage lisapiire 9,5 mm ja 19 mm vineeritükkidest.

### **Ribastamine**

### **⚠ETTEVAATUST:**

- Ribastamisel eemaldage laualt eerungimõõdik.
- Pikkade või suurte detailide lõikamisel kasutage laua  
taga alati sobivaid tugesid. **ÄRGE** laske pikal latil  
töölaua peal liikuda ega nihkuda. Selle tõttu võib tera  
kinni kiiluda, mis suurendab tagasilöögi ja kehavigas-  
tuste ohtu. Tugi peaks olema lauaga ühekõrgune.

1. Reguleerige lõikesügavus töödeldava detaili  
pakseusest pisut kõrgemaks.

#### ▶ **Joon.34**

2. Paigutage piire soovitud laiusele ja lukustage,  
pöörates käepidet.

3. Lülitage tööriist sisse ja hakake ettevaatlikult materjali saele piki piiret ette andma.

(1) Kui ribastamislaius on üle 150 mm, kasutage detaili söötmiseks ettevaatlikult paremat kätt. Vasaku käega hoidke materjali vastu piiret.

► **Joon.35**

(2) Kui riba laius on 65-150 mm, kasutage etteandmiseks tõukevarras.

► **Joon.36: 1. Tõukevarras**

(3) Kui riba laius on alla 65 mm, ei saa tõukevarras kasutada, sest see puutuks vastu terakaitset. Kasutage lisapiiret ja tõukeklotsi. Kinnitage lisapiire kahe „C“ klambriga piirde külge.

► **Joon.37: 1. Lisapiire**

Lükake detaili käega, kuni selle ots on umbes 25 mm kaugusel laua esiservast. Jätka etteandmist tõukeklotsi abil lisapiirde kohalt, kuni materjal on läbi saetud.

► **Joon.38: 1. Tõukeklots 2. Lisapiire**

## Ristilõikamine

### ⚠ETTEVAATUST:

- Ristilõike tegemisel eemaldage laualt piire.
- Pikkade või suurte detailide lõikamisel kasutage laua külgedel alati sobivaid tugesid. Tugi peaks olema lauaga ühekõrgune.
- Hoidke käed tera liikumisteest alati eemal.

## Eerungimõõdik

► **Joon.39: 1. Ristilõikamine 2. Kaldlõikamine 3. Fassettlõikamine 4. Liit-kaldlõikamine (nurgad)**

Kasutage eerungimõõdikut joonisel näidatud 4 tüüpi lõigete tegemiseks.

### ⚠ETTEVAATUST:

- Kinnitage hoolikalt eerungimõõdikul olev nupp.
- Vältige lõigatava materjali ja mõõdiku roomet, kasutades korralikku fikseerimist, eriti nurga all lõikamisel.
- ÄRGE KUNAGI hoidke ega haarake kinni töödeldava materjali äralõigatavast osast.
- Reguleerige alati eerungimõõdiku otsa ja saetera vahekaugust, et see ei ületaks 15 mm.

## Eerungimõõdiku kasutamine

► **Joon.40: 1. Eerungimõõdik 2. Nupp**

Libistage eerungimõõdik laual paiknevatesse soontesse. Lõdvendage mõõdiku nuppu ja joondage mõõdik soovitud nurga alla (0° kuni 60°). Tooge tugipind vastu piiret ja libistage lauda mõõda, kinnitage see klambriga eerungimõõdikule ja nihutage rahulikult tera suunas.

## Täiendav puitääris (eerungimõõdik)

► **Joon.41**

Et vältida pika saematerjali võnkumist, kinnitage eerungimõõdik koos täiendava piirdelauaga. Puurige augud, kinnitage poltide/nutritega, pidades seejuures silmas, et kinnitustahvendid ei tohi piirde pealispinnast välja ulatuda.

## Tööriista kandmine

► **Joon.42**

Veenduge, et tööriist on vooluvõrgust lahutatud. Kandmisel hoidke tööriista joonisel näidatud kohast.

### ⚠ETTEVAATUST:

- Enne tööriista kandmist fikseerige kõik liikuvad osad.
- Enne tööriista kandmist veenduge alati, et terakaitse on paigas.

## HOOLDUS

### ⚠ETTEVAATUST:

- Kandke alati enne kontroll- või hooldustoimingute teostamist hoolt selle eest, et tööriist oleks välja lülitatud ja vooluvõrgust lahti ühendatud.

**NBI:**

- Ärge kunagi kasutage bensiini, vedeldit, alkoholi ega midagi muud sarnast. Selle tulemuseks võib olla luitumine, deformatsioon või pragunemine.

## Puhastamine

Aeg-ajalt puhastage tööriist saepurust ja -laastudest. Puhastage hoolikalt terakaitse ja liikuvad osad lauasae sisemuses.

## Õlitamine

Et hoida saetera igati heas töökorras ning kindlustada võimalikult pikk kasutusiga, tuleb liikuvaid ja pöörlevaid osi aeg-ajalt õlitada või määrada.

Määrdesõlmed:

- Keermestatud võll tera tõstmiseks
- Liigend karkassi pööramiseks
- Tõste juhtvõllid mootoril
- Ülekandemehhanism tera tõstmiseks

## Süsiharjade asendamine

► **Joon.43**

Võtke välja ja kontrollige süsiharju regulaarselt. Vahetage välja, kui need on kulunud pikkuseni 3 mm. Hoidke süsiharjad puhtad, nii on neid lihtne hoidikutesse libistada. Mõlemad süsiharjad tuleb asendada korraga. Kasutage üksnes identseid süsiharju.

► **Joon.44: 1. Harjahoidiku kate 2. Kruvikeeraja**

Kasutage harjahoidikute kaante eemaldamiseks kruvikeerajat. Süsiharjade vahetamiseks eemaldage terakaitse ja tera ning seejärel lõdvendage lukustushooba, kallutage sae otsa ja fikseerige see 45° kaldenurga alla. Asetage tööriist ettevaatlikult tagurpidi. Seejärel keerake lahti harjahoidiku kaas. Eemaldage ära kulunud süsiharjad, paigaldage uued ning kinnitage harjahoidikute kaaned tagasi kohale.

Toote OHUTUSE ja TÕÕKINDLUSE tagamiseks tuleb vajalikud remonttööd, muud hooldus- ja reguleerimistööd lasta teha Makita volitatud teeninduskeskustes. Alati tuleb kasutada Makita varuosi.



# VALIKULISED TARVIKUD

## **⚠ETTEVAATUST:**

- Neid tarvikuid ja lisaseadiseid on soovitatav kasutada koos Makita tööriistaga, mille kasutamist selles kasutusjuhendis kirjeldatakse. Muude tarvikute ja lisaseadiste kasutamisega kaasneb vigastada saamise oht. Kasutage tarvikuid ja lisaseadiseid ainult otstarvetel, milleks need on ette nähtud.

Saate vajadusel kohalikust Makita teeninduskeskusest lisateavet nende tarvikute kohta.

- Piire
- Eerungimõõdik
- Mutrivõti nr 24
- Kuuskantvõti nr 5
- Liitmik (ühendamiseks tolmu koguriga)
- Tugilaua komplekt

## **MÄRKUS:**

- Mõned nimekirjas loetletud tarvikud võivad kuuluda standardvarustusse ning need on lisatud tööriista pakendisse. Need võivad riikide lõikes erineda.






## ТЕХНИЧЕСКИЕ ХАРАКТЕРИСТИКИ

Модель		MLT100	
		(для для европейских стран)	(для остальных стран)
Отверстие под шпindelь		30 мм	25 мм или 25,4 мм
Диаметр полотна		260 мм	255 мм
Толщина ножа		1,9 мм или меньше	
Макс. Режущие возможности	90°	93 мм	90,5 мм
	45°	64 мм	63 мм
Число оборотов без нагрузки (мин <sup>-1</sup> )		4 300	
Размер стола (Д x Ш)		(685 мм - 835 мм) x (955 мм - 1 305 мм) с вспомогательным столом (R) и задним	(685 мм - 835 мм) x (955 мм - 1 305 мм) с вспомогательным столом (R) и задним
Размеры (Д x Ш x В) с убранными столами		726 мм x 984 мм x 333 мм с вспомогательным столом (R) и задним	726 мм x 984 мм x 333 мм с вспомогательным столом (R) и задним
Вес нетто		34,1 кг	34,1 кг
Класс безопасности		□/л	

- Благодаря нашей постоянно действующей программе исследований и разработок, указанные здесь технические характеристики могут быть изменены без предварительного уведомления.
- Технические характеристики могут различаться в зависимости от страны.
- Масса в соответствии с процедурой ЕРТА 01/2003

### Символы

Ниже приведены символы, используемые для электроинструмента. Перед использованием убедитесь, что вы понимаете их значение.

	Прочитайте руководство пользователя.
	ДВОЙНАЯ ИЗОЛЯЦИЯ
	Надевайте защитные очки.
	Держите руки и пальцы на расстоянии от полотна.
	Только для стран ЕС Не утилизируйте данный электроинструмент вместе с бытовыми отходами! В рамках соблюдения Европейской Директивы по утилизации электрического и электронного оборудования и ее применения в соответствии с национальным законодательством, электрооборудование в конце срока своей службы должно утилизироваться отдельно и передаваться для его утилизации на предприятие, соответствующее применяемым правилам охраны окружающей среды.

### Использование по назначению

Данный инструмент предназначен для распиливания дерева.

### Питание

Подключайте данный инструмент только к тому источнику питания, напряжение которого

соответствует напряжению, указанному на паспортной табличке. Инструмент предназначен для работы от источника однофазного переменного тока. Он имеет двойную изоляцию и поэтому может подключаться к розеткам без заземления.

### Шум

Типичный уровень взвешенного звукового давления (A), измеренный в соответствии с EN61029:

Уровень звукового давления (L<sub>РА</sub>): 92 дБ (A)

Уровень звуковой мощности (L<sub>WA</sub>): 105 дБ (A)

Погрешность (K): 3 дБ (A)

**Используйте средства защиты слуха**

## Декларация о соответствии ЕС

### Только для европейских стран

Декларация о соответствии ЕС включена в руководство по эксплуатации (Приложение А).

## Общие рекомендации по технике безопасности для электроинструментов

**⚠ ПРЕДУПРЕЖДЕНИЕ** Ознакомьтесь со всеми инструкциями и рекомендациями по технике безопасности. Невыполнение инструкций и рекомендаций может привести к поражению электротоком, пожару и/или тяжелым травмам.

**Сохраните брошюру с инструкциями и рекомендациями для дальнейшего использования.**

## ДОПОЛНИТЕЛЬНЫЕ ПРАВИЛА ТЕХНИКИ БЕЗОПАСНОСТИ ДЛЯ ИНСТРУМЕНТА

### СОХРАНИТЕ ДАННЫЕ ИНСТРУКЦИИ.

1. Используйте защитные очки.
2. Не пользуйтесь инструментом в присутствии легко воспламеняющихся жидкостей или газов.
3. НИКОГДА не используйте инструмент с абразивно-отрезными кругами.
4. Перед эксплуатацией тщательно осмотрите диск и убедитесь в отсутствии трещин или повреждений. Немедленно замените треснувший или поврежденный диск.
5. Используйте только циркулярные пилы, рекомендованные изготовителем, которые соответствуют стандарту EN847-1. Убедитесь, что толщина расклинивающего ножа не больше ширины реза циркулярной пилы и не меньше толщины самой пилы.
6. Всегда используйте принадлежности, рекомендованные в данном руководстве. Использование несоответствующих принадлежностей, таких как, например, отрезные абразивные круги, может привести к травме.
7. Выбирайте пильный диск в соответствии с материалом, который вы будете резать.
8. Не используйте циркулярные пилы, изготовленные из быстрорежущей стали.
9. Для снижения шума при пилении дисковая пила всегда должна быть острой и чистой.
10. Используйте правильно заточенные дисковые пилы. Соблюдайте максимальную скорость вращения, указанную на дисковой пиле.
11. Перед установкой полотна очистите шпindel, фланцы (особенно установочную поверхность) и шестигранную гайку. Ненадлежащая установка может вызвать вибрации/биения или соскальзывание диска.
12. Используйте защитный кожух диска и расклинивающий нож при выполнении любой операции, когда их можно использовать, включая все операции распиливания. Всегда устанавливайте защитный кожух в соответствии с инструкциями, приведенными в настоящем руководстве. К операциям распиливания относятся такие, при которых полотно полностью проходит через деталь, такие как продольная или поперечная распиловка. НИКОГДА не используйте инструмент с неисправным защитным кожухом, не фиксируйте защитный кожух при помощи веревки, стропы и т. д. Немедленно устраняйте любые неисправности защитного кожуха.
13. По завершении операции, для которой необходимо снять защиту, сразу же установите защиту и расклинивающий нож на место.
14. Не пилите металлические предметы, такие как гвозди и шурупы. Перед началом работы осмотрите деталь и убедитесь в отсутствии гвоздей, шурупов и других инородных предметов или удалите их.
15. Перед включением инструмента уберите со стола гаечные ключи, обрезки и т. д.
16. НИКОГДА не надевайте перчатки во время работы.
17. Держите руки в стороне от линии прохода пильного полотна.
18. НИКОГДА не стойте и не разрешайте другим стоять на линии прохода пильного полотна.
19. Перед включением выключателя убедитесь, что циркулярная пила не касается расклинивающего ножа или распиливаемой детали.
20. Перед использованием инструмента на реальной детали дайте инструменту немного поработать вхолостую. Убедитесь в отсутствии вибрации или биения, которые могут свидетельствовать о неправильной установке или дисбалансе диска.
21. Данный инструмент не следует использовать для выполнения прорезей, фальцевания или выполнения пазов.
22. Замените изношенный вкладыш стола.
23. НИКОГДА не выполняйте регулировки на работающем инструменте. Перед выполнением регулировок отключите инструмент.
24. При необходимости пользуйтесь нажимной палкой. ОБЯЗАТЕЛЬНО используйте нажимную палку при продольном распиливании узких деталей, чтобы руки и пальцы находились на расстоянии от полотна.
25. Если толкатель не используется, храните его в надежном месте.
26. Обратите особое внимание на инструкции, касающиеся снижения риска ОТДАЧИ. ОТДАЧА - это мгновенная реакция на защемление, изгиб или нарушение соосности циркулярной пилы. ОТДАЧА приводит к отбрасыванию распиливаемой детали обратно по направлению к оператору. ОТДАЧА МОЖЕТ ПРИВЕСТИ К СЕРЬЕЗНЫМ ТРАВМАМ. Во избежание ОТДАЧИ циркулярная пила всегда должна быть острой, разреза должен быть параллелен пиле, расклинивающий нож и ограждение пилы должны находиться на месте в исправном состоянии. Разрезаемую деталь следует отпускать только после того, как она полностью пройдет пилу. Не следует резать перекрученные или изогнутые детали или детали, не имеющие прямого края, расположенного вдоль направляющей планки.
27. Не выполняйте никакие операции "вручную". "Вручную" в данном контексте означает удержание или подачу обрабатываемой детали руками вместо направляющей планки или измерителя угла резки.
28. НИКОГДА не сгибайтесь и не наклоняйтесь над пильным полотном. НИКОГДА не тянитесь за обрабатываемой деталью до тех пор, пока пильное полотно не остановится полностью.
29. Избегайте резкой быстрой подачи. При пилении трудно распиливаемых деталей максимально медленно подавайте деталь. При подаче не сгибайтесь и не скручивайте

распиливаемую деталь. Если пила застряла или заземлилась в распиливаемой детали, немедленно выключите циркулярную пилу. Выключите инструмент из сети. Затем устранили застревание.

30. НИКОГДА не убирайте обрезки вблизи диска и не прикасайтесь к защитному кожуху, если пильный диск вращается.
31. ПЕРЕД началом пиления выбейте все твердые выпадающие сучки из распиливаемой детали.
32. Аккуратно обращайтесь со шнуром питания. Никогда не дергайте за шнур для выключения вилки из розетки. Располагайте шнур на расстоянии от источников тепла, масла, воды и острых краев.
33. Некоторые виды пыли, возникающей при пилении, содержат химические вещества, которые могут вызвать рак, врожденные дефекты или оказать отрицательное воздействие на репродуктивные функции организма. Ниже приведены примеры некоторых таких химических веществ:
  - свинец из материалов, окрашенных красками на основе свинца и,
  - мышьяк и хром из химически обработанной древесины.
  - Риск вашему здоровью от воздействия данных веществ зависит от частоты выполнения такой работы. Для снижения воздействия таких химических веществ на ваш организм: работайте в хорошо проветриваемом месте с соответствующими средствами обеспечения безопасности, как, например, пылезащитными масками, которые могут задерживать микроскопические частицы.
34. При выполнении пиления подключите инструмент к устройству сбора пыли.
35. Для того чтобы облегчить выполнение настроек и чистку инструмента, защитный кожух можно поднять. Перед включением инструмента всегда устанавливайте колпак защиты так, чтобы он был опущен вниз полностью и хорошо прилегал к столу пилы.

## СОХРАНИТЕ ДАННЫЕ ИНСТРУКЦИИ.

## УСТАНОВКА

### Установка отрезного станка со столом

- **Рис.1:** 1. Диаметр отверстия - 8 мм
- **Рис.2:** 1. 6-мм стандартная шайба 2. Шуруп № 10 длиной не менее 40 мм
- **Рис.3:** 1. 6-мм стандартная шайба 2. Хорошо затянутые 6-мм установочный болт и гайка

Установите настольный отрезной станок на хорошо освещенную и ровную поверхность, обеспечивающую его устойчивое положение. Установите станок так, чтобы вокруг него было достаточно места для комфортной обработки деталей соответствующего размера. Закрепите станок со столом на верстаке или станине четырьмя винтами или болтами через отверстия в нижней части станка. При креплении станка на верстаке сделайте на верхней части верстака отверстие того же размера, что и отверстие на нижней части станка, предназначенное для сброса опилок.

Если во время работы отрезного станка появляются признаки его опрокидывания, соскальзывания или перемещения, закрепите верстак или станину к полу.

### Хранение принадлежностей

- **Рис.4:** 1. Нажимная ручка
- **Рис.5:** 1. Направляющая планка (направляющая линейка) 2. Измеритель угла резки

Храните нажимную палку, треугольник, диск и гаечные ключи слева от основания, а направляющую планку и измеритель угла резки - справа от основания.

## ОПИСАНИЕ ФУНКЦИОНИРОВАНИЯ

### ▲ВНИМАНИЕ:

- Перед проведением регулировки или проверки работы инструмента всегда проверяйте, что инструмент выключен, а шнур питания вынут из розетки.

### Регулировка глубины реза

- **Рис.6:** 1. Ручка

Регулировка глубины реза выполняется поворотом ручки. Поверните ручку по часовой стрелке, чтобы поднять диск, или против часовой стрелки, чтобы опустить его.

### ПРИМЕЧАНИЕ:

- При резке тонких материалов настройте небольшую глубину, чтобы получить более чистый разрез.

### Регулировка угла скоса

- **Рис.7:** 1. Стрелочный указатель 2. Рычаг блокировки

Ослабьте рычаг фиксации, повернув его против часовой стрелки, и поворачивайте маховик до установки необходимого угла (0° - 45°). Угол скоса кромки будет показан стрелочным указателем. После установки необходимого угла поверните рычаг фиксации по часовой стрелке, чтобы заблокировать настройки.

### ▲ВНИМАНИЕ:

- После настройки угла скоса кромки хорошо затяните рычаг фиксации.

## Регулировка упоров-ограничителей

- **Рис.8:** 1. Регулировочный винт 90°  
2. Регулировочный винт 45°

### ► Рис.9

Данный инструмент имеет упоры-ограничители на 90° и 45° относительно поверхности стола. Для проверки и регулировки упоров-ограничителей выполните следующие операции:  
Перемести маховик до упора, повернув его. Установите угольник на стол и убедитесь в том, что угол наклона диска относительно поверхности стола составляет 90° или 45°. Если диск расположен под углом, показанным на Рис. А, поверните регулировочные винты по часовой стрелке; если диск расположен под углом, показанным на Рис. В, поверните регулировочные винты против часовой стрелки, чтобы отрегулировать упоры-ограничители. После регулировки упоров-ограничителей установите диск под углом 90° относительно поверхности стола. Затем отрегулируйте положение стрелочного указателя так, чтобы его правый край совместился с делением 0°.

- **Рис.10:** 1. Стрелочный указатель

## Действие выключателя

### ⚠ВНИМАНИЕ:

- Снимите деталь со стола.
- Выключите инструмент и нажмите кнопку перезапуска.
- Перед вставкой штекера инструмента в розетку, всегда проверяйте, что инструмент отключен.

## Для инструмента с кнопочным выключателем

- **Рис.11:** 1. Переключатель 2. Кнопка повторного запуска

Для включения инструмента нажмите кнопку Вкл. ( I )  
Для выключения инструмента нажмите кнопку Выкл. ( O )

## Для инструмента с рычажным выключателем

- **Рис.12:** 1. Переключатель 2. Кнопка повторного запуска

Для включения инструмента поднимите рычажный выключатель. Для выключения инструмента опустите рычажный выключатель.

## Вспомогательный стол (R)

- **Рис.13:** 1. Винты

- **Рис.14:** 1. Вспомогательный стол (R)

Инструмент оборудован вспомогательным столом (R), расположенным по правую сторону от основного стола. Для того чтобы использовать вспомогательный стол (R), ослабьте против часовой стрелки два винта, расположенные справа, полностью выдвиньте стол (R), а затем затяните винты, чтобы зафиксировать его.

## Вспомогательный стол (задний)

- **Рис.15:** 1. Винты 2. Вспомогательный стол (задний)

Для использования вспомогательного стола (заднего) ослабьте винты с левой и правой сторон под столом и выдвиньте его до нужной длины. После достижения нужной длины надежно затяните винты.

## Выдвижной стол

- **Рис.16:** 1. Выдвижной стол 2. Фиксатор

### ⚠ВНИМАНИЕ:

- После окончания работы с выдвижным столом обязательно зафиксируйте его, переместив стопорную пластину в вертикальное положение.

С левой стороны данного инструмента предусмотрен выдвижной стол. Выдвижной стол перемещается вперед и назад. Перед использованием стола необходимо повернуть стопорные пластины в передней и задней части в горизонтальное положение. Зафиксируйте заготовку с помощью зажима на измерителе угла резки, и при выполнении резки перемещайте заготовку вместе со столом.

## МОНТАЖ

### ⚠ВНИМАНИЕ:

- Перед проведением каких-либо работ с инструментом всегда проверяйте, что инструмент выключен, а шнур питания вынут из розетки.

Инструмент поставляется с завода без установленных на нем дисковой пилы и защитного кожуха. Выполняйте их установку в следующем порядке:

## Установка или снятие пильного диска

### ⚠ВНИМАНИЕ:

- Перед установкой или снятием диска, всегда проверяйте, что инструмент выключен, а шнур вынут из розетки электропитания.
- Для снятия или установки диска пользуйтесь только специальным торцовым ключом Makita. Несоблюдение данного требования может привести к перетяжке или недостаточной затяжке шестигранного болта. Это может привести к травме.
- Используйте следующие дисковые пилы. Не используйте дисковые пилы, которые не соответствуют указанным здесь характеристикам.

Для модели	Макс. диаметр	Мин. диаметр	Толщина диска	Пропил
MLT100	260 мм	230 мм	1,8 мм или менее	2 мм или более

### ⚠ВНИМАНИЕ:

- Проверьте диаметр отверстия под шпindelь. Всегда используйте только то кольцо для отверстия под шпindelь, которое соответствует используемому вами диску.

- **Рис.17:** 1. Гаечный ключ 2. Гаечный ключ  
3. Шестигранная гайка

Извлеките вкладыш из стола. Удерживайте внешний фланец при помощи гаечного ключа и ослабьте шестигранную гайку, повернув ее против часовой стрелки при помощи гаечного ключа. Затем снимите внешний фланец.

- **Рис.18:** 1. Внутренний фланец 2. Кольцо  
3. Пильный диск 4. Наружный фланец  
5. Шестигранная гайка

Установите внутренний фланец, кольцо режущий диск, внешний фланец и шестигранную гайку на шпindel так, чтобы в передней части стола зубцы диска были направлены вниз. Всегда устанавливайте шестигранную гайку утолщенной частью к внешнему фланцу.

## Для всех стран, за исключением европейских стран

### ▲ВНИМАНИЕ:

- Кольцо наружным диаметром 25,4 мм устанавливается на шпindel на предприятии-изготовителе.

## Для европейских стран

### ▲ВНИМАНИЕ:

- Между внутренним и внешним фланцами на предприятии-изготовителе устанавливается кольцо с внешним диаметром в 30 мм.
- Содержите поверхность фланца в чистоте от грязи и налиплих частиц, т. к. они могут привести к проскальзыванию диска. Убедитесь в том, что диск установлен так, что зубцы совпадают с направлением резки.

Для того чтобы установить диск, удерживайте внешний фланец при помощи колеччатого гаечного ключа, и затяните шестигранную гайку, повернув ее против часовой стрелки при помощи гаечного ключа. **ХОРОШО ЗАТЯНИТЕ ШЕСТИГРАННУЮ ГАЙКУ.**

- **Рис.19:** 1. Гаечный ключ 2. Гаечный ключ

### ▲ВНИМАНИЕ:

- Будьте осторожны, удерживая шестигранную гайку гаечным ключом. Если захват ослабнет и ключ соскользнет с гайки, вы можете удариться рукой об острые края диска.

## Установка защитного кожуха

- **Рис.20:** 1. Защитный кожух 2. Расклинивающий нож 3. Установочная часть (подпорка) защитного кожуха

- **Рис.21:** 1. Защитный кожух 2. Расклинивающий нож

### ▲ВНИМАНИЕ:

- Перед установкой защитного кожуха отрегулируйте глубину резки так, чтобы она выполнялась при максимальном угле возвышения.

## Защитные кожухи, поставляемые в неевропейские страны

Снимите центральную крышку. Вставьте расклинивающий нож в установочную часть (подпорку) защитного кожуха. При помощи поставляемого ключа затяните болты с шестигранными головками (А).

## Защитные кожухи, поставляемые в европейские страны

- **Рис.22:** 1. Защитный кожух 2. Расклинивающий нож

- **Рис.23:** 1. Защитный кожух 2. Расклинивающий нож

Снимите центральную крышку. Вставьте расклинивающий нож в установочную часть (подпорку) защитного кожуха. При помощи поставляемого ключа затяните болты с шестигранными головками (А).

Установите защитный кожух в паз на расклинивающем ноже. Зафиксируйте защитный кожух, повернув рычаг.

## Защитные кожухи, поставляемые в неевропейские и европейские страны

Местоположение установки расклинивающего ножа отрегулировано на заводе таким образом, чтобы расклинивающий нож располагался по прямой линии. Тем не менее если данное положение нарушено, ослабьте болты с шестигранными головками (А) и отрегулируйте установочную часть (подпорку) защитного кожуха так, чтобы расклинивающий нож располагался точно под диском. Затем затяните болты с шестигранной головкой (В), чтобы зафиксировать подпорку.

- **Рис.24:** 1. Диск 2. Оба зазора должны быть идентичны. 3. Установочная часть (подпорка) защитного кожуха 4. Расклинивающий нож 5. Болт с шестигранной головкой (А) 6. Болт с шестигранной головкой (В)

### ▲ВНИМАНИЕ:

- Рассогласование диска и расклинивающего ножа может вызвать опасное зажатие во время работы. Убедитесь в том, что они выровнены должным образом. Нарушение регулировки расклинивающего ножа может привести к серьезным травмам во время эксплуатации инструмента.
- НИКОГДА не выполняйте регулировки на работающем инструменте. Перед выполнением регулировок отключите инструмент.
- Не извлекайте расклинивающий нож.

- **Рис.25:** 1. Защитный кожух 2. Расклинивающий нож

Между расклинивающим ножом и зубцами диска должен быть зазор порядка 4-5 мм. Ослабьте шестигранные болты (А), отрегулируйте расклинивающий нож соответствующим образом и надежно затяните шестигранные болты (А). Вставьте вкладыш в стол и перед началом резки проверьте работоспособность ограждения диска.

## Установка и регулировка направляющей планки

### ► Рис.26: 1. Рычаг

Установите направляющую планку так, чтобы ее держатель вошел в зацепление с ближайшей направляющей стола. Для фиксации направляющей планки полностью поверните рычаг на держателе. Для того чтобы обеспечить параллельность установки направляющей планки диску, зафиксируйте ее на расстоянии 2-3 мм от диска. Поднимите диск на максимальную высоту. Цветным карандашом нанесите метку на один из зубцов режущего диска. Измерьте расстояние (А) и (В) между направляющей планкой и режущим диском. Выполняйте оба измерения от зубца с меткой. Результаты обоих измерений должны быть идентичны. При нарушении параллельности расположения направляющей планки и диска выполните следующее:

### ► Рис.27: 1. Шкала

### ► Рис.28: 1. Болты с шестигранной головкой

1. Зафиксируйте направляющую планку, опустив на нее рычаг.
2. При помощи поставляемого шестигранного ключа ослабьте два болта с шестигранными головками на направляющей планке.
3. Отрегулируйте положение направляющей планки так, чтобы она располагалась параллельно диску.
4. Затяните два болта с шестигранными головками на направляющей планке.

### ► Рис.29

#### **ВНИМАНИЕ:**

- Обязательно отрегулируйте направляющую планку, чтобы она была параллельна относительно диска, иначе может произойти опасный отскок.

Выставьте направляющую планку на один уровень с боковой частью диска. Убедитесь в том, что указатель на держателе направляющей планки показывает на деление 0. При отклонении указатель от деления 0 ослабьте винт шкальной пластины и отрегулируйте ее.

### ► Рис.30: 1. Указатель 2. Винт

## Подключение к пылесосу

### ► Рис.31

Для обеспечения чистоты при работе подсоедините к инструменту пылесос или пылесборник Makita.

## ЭКСПЛУАТАЦИЯ

#### **ВНИМАНИЕ:**

- Всегда используйте подручные средства, такие, как нажимные палки и брусья, если существует опасность того, что руки или пальцы могут быть около диска.
- Всегда крепко прижимайте обрабатываемую деталь к столу и направляющей планке или измерителю угла резки. Не сгибайте и не перекручивайте ее при подаче. Изогнутая или перекрученная деталь может вызвать опасную отдачу.
- НИКОГДА не вытягивайте обрабатываемую деталь к столу и направляющей планке до завершения распила, сначала выключите инструмент, крепко удерживая обрабатываемую деталь. Перед вытягиванием обрабатываемой детали подождите, пока диск полностью остановится. Несоблюдение данного требования может привести к опасным отскокам.
- НИКОГДА не убирайте отрезанные материалы, если диск крутится.
- НИКОГДА не помещайте руки или пальцы на пути прохода режущего диска. Будьте особенно осторожны при выполнении резки под углом.
- Всегда надежно закрепляйте направляющую планку, иначе могут произойти опасные отскоки.
- Всегда пользуйтесь подручными средствами, такими как нажимные палки и брусья, при резке небольших или узких деталей.

## Подручные средства

Подручными средствами являются нажимные палки, нажимные брусья или вспомогательные планки. Используйте их для выполнения безопасных, уверенных распилов, чтобы оператор не касался диском какой-либо части тела.

## Нажимной брусок

### ► Рис.32: 1. Фаска/край параллельны 2. Ручка 3. Шуруп 4. Склеить вместе

Используйте 19-мм кусок клееной фанеры. Ручка должна располагаться по центру куска фанеры. Скрепите при помощи клея и шурупов, как показано на рисунке. Всегда приклеивайте небольшие деревянные бруски размером 9,5 мм х 8 мм х 50 мм на фанеру, чтобы не допустить затупления диска при его случайном попадании на нажимной брусок. (Не вбивайте гвозди в нажимной брусок.)

## Вспомогательная планка

### ► Рис.33: 1. Фаска/край параллельны

Изготовьте вспомогательную планку из фанерных деталей размером в 9,5 и 19 мм.



## Продольная распиловка

### ⚠ВНИМАНИЕ:

- При продольной распиловке снимайте со стола измеритель угла резки.
- При распиловке длинных или больших обрабатываемых деталей, всегда обеспечивайте надлежащую поддержку за пределами стола. НЕ позволяйте длинной доске двигаться или смещаться на столе. Это приведет к защемлению диска и повышению вероятности отскока и личной травмы. Опора должна находиться на той же высоте, что и стол.

1. Отрегулируйте глубину распила так, чтобы она была немного меньше, чем толщина детали.

#### ► Рис.34

2. Установите направляющую планку на необходимую ширину разреза и зафиксируйте ее на месте, повернув ручку.
3. Включите инструмент, и осторожно подайте обрабатываемую деталь к диску вдоль направляющей планки.

(1) Если ширина разреза составляет 150 мм и более, будьте осторожны при подаче детали правой рукой.левой рукой удерживайте деталь прижатой к направляющей планке.

#### ► Рис.35

(2) Если ширина продольного распила равна 65 - 150 мм, используйте нажимную планку для подачи обрабатываемой детали.

#### ► Рис.36: 1. Нажимная ручка

(3) Если ширина резки меньше 65 мм, пользоваться нажимной палкой нельзя, т.к. она будет ударяться об ограждение диска. Используйте дополнительную планку и нажимной брус. Установите дополнительную планку на направляющую планку при помощи двух зажимов "С".

#### ► Рис.37: 1. Вспомогательная планка

Подавайте деталь рукой до тех пор, пока ее конец не будет располагаться на расстоянии 25 мм от переднего края стола. Для того чтобы завершить распиливание, продолжайте подавать деталь при помощи нажимного бруса, расположенного на верхней части вспомогательной планки.

#### ► Рис.38: 1. Нажимной брусок 2. Вспомогательная планка

## Поперечная распиловка

### ⚠ВНИМАНИЕ:

- При осуществлении поперечной распиловки снимайте вспомогательную планку со стола.
- При распиловке длинных или больших обрабатываемых деталей, всегда обеспечивайте надлежащую поддержку с боковых сторон стола. Опора должна находиться на той же высоте, что и стол.
- Не помещайте руки на пути прохода режущего диска.

## Измеритель угла резки

► Рис.39: 1. Поперечная распиловка 2. Резка под углом 3. Резка со скосом 4. Составная резка под углом (углы)

Используйте измеритель угла резки для 4 типов распиловки, показанных на рисунке.

### ⚠ВНИМАНИЕ:

- Осторожно закрепите ручку на измерителе угла резки.
- Не допускайте сползания детали и измерителя, для чего крепко удерживайте их, особенно при резке под углом.
- ЗАПРЕЩАЕТСЯ держаться или брать за предполагаемую «отпиливаемую» часть обрабатываемой детали.
- Всегда настраивайте расстояние между торцом измерителя угла резки и режущим диском так, чтобы оно не превышало 15 мм.

## Использование измерителя угла резки

► Рис.40: 1. Измеритель угла резки 2. Круглая ручка

Вставьте измеритель угла резания в пазы стола. Ослабьте ручку на измерителе и установите нужный угол (от 0° до 60°). Установите несколько деталей вровень с направляющей планкой и выдвигаемым столом, зафиксируйте зажимом на измерителе угла резания и постепенно подавайте вперед к диску.

## Вспомогательная деревянная обшивка (измеритель угла резки)

#### ► Рис.41

Для предотвращения качания длинной доски, установите на измеритель угла резки вспомогательную направляющую доску. Закрепите ее болтами/гайками, просверлив отверстия, но при этом крепежные детали не должны выступать на поверхности доски.

## Переноска инструмента

#### ► Рис.42

Отключите инструмент от сети питания. Переносите инструмент, удерживая его так, как показано на рисунке.

### ⚠ВНИМАНИЕ:

- Перед тем, как переносить инструмент, всегда закрепляйте все подвижные части.
- Перед переноской инструмента всегда устанавливайте ограждение диска на место.

## ТЕХОБСЛУЖИВАНИЕ

### ⚠ ВНИМАНИЕ:

- Перед проверкой или проведением техобслуживания убедитесь, что инструмент выключен, а штекер отсоединен от розетки.

### УВЕДОМЛЕНИЕ:

- Запрещается использовать бензин, лигроин, растворитель, спирт и т.п. Это может привести к изменению цвета, деформации и появлению трещин.

## Чистка

Периодически очищайте инструмент от стружки и щепок. Осторожно очищайте защитный кожух и движущиеся части внутри отрезного станка со столом.

## Смазка

Для поддержания отрезного станка со столом в надлежащем рабочем состоянии и чтобы максимально продлить срок его службы, периодически смазывайте его движущиеся и вращающиеся части маслом или смазкой.

Точки смазки:

- Резьбовой вал для поднятия диска
- Шарнир для поворота рамы
- Валы подъемных направляющих на электродвигателе
- Редуктор для поднятия диска

## Замена угольных щеток

### ► Рис.43

Регулярно снимайте угольные щетки и проверяйте их износ. Замените их, когда они изнаются так, что их длина будет составлять 3 мм. Угольные щетки всегда должны быть чистыми и свободно перемещаться в держателях. Заменяйте обе угольные щетки одновременно. Используйте только идентичные угольные щетки.

- Рис.44: 1. Колпачок держателя щетки  
2. Отвертка

Для снятия колпачков держателей щеток используйте отвертку. Для замены угольных щеток снимите ограждение диска и диск, затем ослабьте рычаг фиксации, наклоните режущую головку и зафиксируйте ее под углом скоса кромки в 45°. Осторожно подайте инструмент назад. Затем открутите колпачок держателя щетки. Извлеките изношенные угольные щетки, установите новые и зафиксируйте их при помощи колпачков держателей щеток.

Для обеспечения БЕЗОПАСНОСТИ и НАДЕЖНОСТИ оборудования, ремонт, любое другое техобслуживание или регулировку необходимо производить в уполномоченных сервис-центрах Makita, с использованием только сменных частей производства Makita.

## ДОПОЛНИТЕЛЬНЫЕ ПРИНАДЛЕЖНОСТИ

### ⚠ ВНИМАНИЕ:

- Эти принадлежности или насадки рекомендуются использовать вместе с вашим инструментом Makita, описанным в данном руководстве. Использование каких-либо других принадлежностей или насадок может представлять опасность получения травм. Используйте принадлежность или насадку только по указанному назначению.

Если вам необходимо содействие в получении дополнительной информации по этим принадлежностям, свяжитесь со своим местным сервис-центром Makita.

- Направляющая планка
- Измеритель угла резки
- Ключ 24
- Шестигранный ключ 5
- Соединение (для подсоединения пылесборника)
- Комплект станины

### ПРИМЕЧАНИЕ:

- Некоторые элементы списка могут входить в комплект инструмента в качестве стандартных приспособлений. Они могут отличаться в зависимости от страны.

**Makita Europe N.V.** Jan-Baptist Vinkstraat 2,  
3070 Kortenberg, Belgium

**Makita Corporation** 3-11-8, Sumiyoshi-cho,  
Anjo, Aichi 446-8502 Japan

[www.makita.com](http://www.makita.com)

JM2708E040  
EN, SV, NO, FI, LV,  
LT, ET, RU  
20161220