

LAUFEN PRO


Vanity unit, with 1 glass shelf, matches washbasin 811951, left hinged



DIMENSIONS

Length	380 mm
Width	310 mm
Height	580 mm

COLOUR AND FINISH

 423 Wenge

SPECIFICATION TEXT

Body/Front – MDF board with PVC foil Integrated handle in the front  
1 glass shelf (adjustable)

MOUNTING ACCESSORIES INCLUDED

Installation set for furniture, order no. 491206, 491140

MOUNTING ACCESSORIES EXCLUDED

Space saving siphon, order no. 894240

Adjustable legs

Adjustable shelves

Basin position : Central

Basin type : Vanity

Door type : Hinged

Doors and drawers combination : 1 door

Furniture configuration : Doors

Internal drawers : 0

Internal shelves : 1

Left hand opening

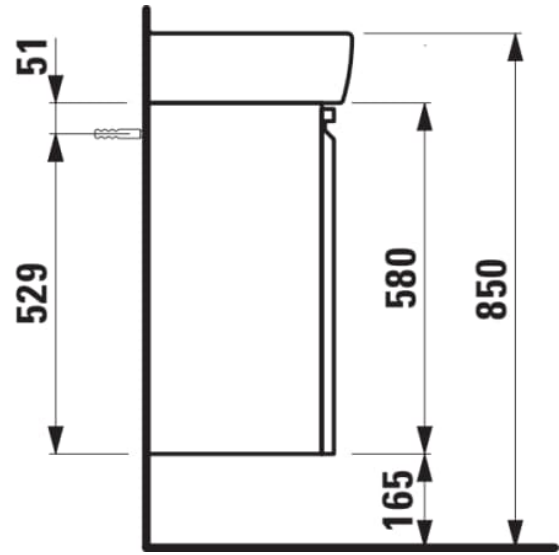
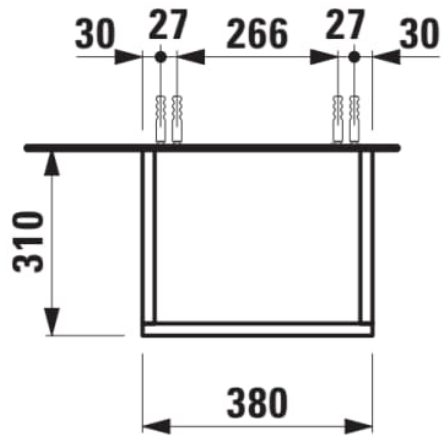
Legs included : 0

Net weight (kg) : 13.3

Shelf material : Glass

Taphole configuration : No tapholes

TECHNICAL DRAWINGS



COMPATIBLE WITH



Small washbasin

**H811951...1041**



Set of adjustable feet (2 pieces), height 165 mm, anodized aluminium surface

**H4830910950041**



## LAUFEN PRO

LAUFEN pro is a comprehensive bathroom range, which offers the ideal solution for every spatial situation and requirement and also reflects the building values of the current generation. Industrial design is the modern answer to the once revolutionary idea that everyone has a right to enjoy beautiful forms. Good design is now no longer a right reserved for the most affluent customers. Modern methods of industrial production and designers such as Peter Wirz of Vetica, who put optimum manufacturing feasibility at the forefront of their creative processes, make such sanitary ware ranges as LAUFEN pro possible. This does not just benefit the designer, more importantly, it also benefits the custo

