



PALOMBA COLLECTION

Washbasin with integrated pedestal, with wall connection

DIMENSIONS

Length	525 mm
Width	435 mm
Height	900 mm

COLOUR AND FINISH

000 White

OPTIONS

104 - one tap hole, centre

SPECIFICATION TEXT

Floorstanding washbasin with wall connection, LAUFEN PALOMBA COLLECTION, sanitary ceramic, EN 31, dimensions 525 x 435 mm, asymmetric, 1 tap hole, concealed waste and overflow system, with integrated pedestal, Special feature: Surface refinement LCC (only white), Further options / accessories: without tap hole and with valve without, overflow always open, bathtubs, shower trays, furniture, Order no. 81180.4

MOUNTING ACCESSORIES INCLUDED

Charge 104 – waste and overflow system Clou, order no. 89194.1

Charge 109 – valve without overflow always open, order no. 89543.9 Fixing set, order no. 89175.9

MOUNTING ACCESSORIES EXCLUDED

Charge 104 – ceramic-plated vertical cover, order no. 89818.2

Charge 109 – valve without overflow always open, with ceramic valve cover plate, order no. 89818.4 flexible siphon LAUFEN, order no. 89497.5

Asymmetrical

Bowl position : Right

Fixing kit : Included

Installation type : Wall-hung

Internal Shape : 5 - Soft

Material : Vitreous china

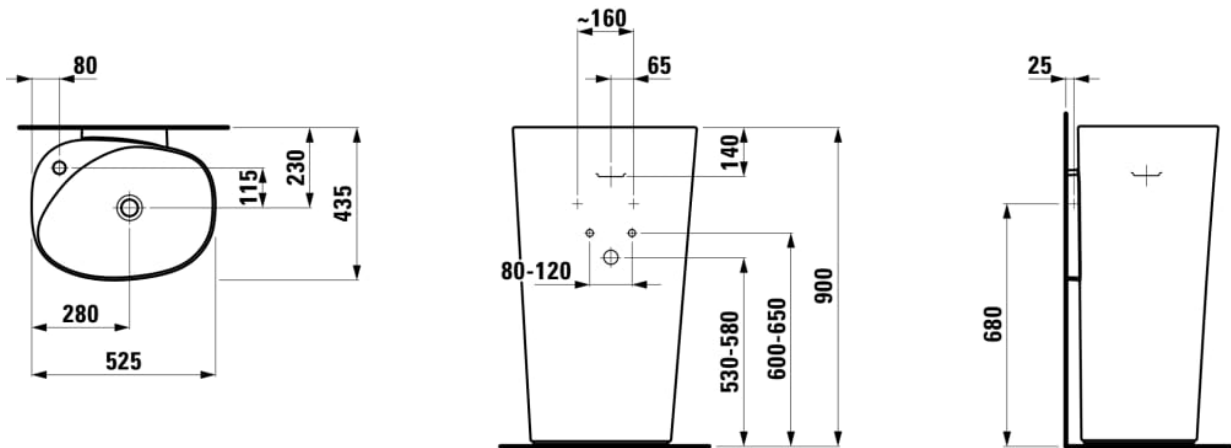
Net weight (kg) : 45

Overflow type : Standard

Shape : Soft

Taphole configuration : 1 taphole in the middle

TECHNICAL DRAWINGS



PALOMBA COLLECTION

The design of the LAUFEN PALOMBA COLLECTION recalls small inlets or pebbles shaped by the eternal movement of the sea, expertly transformed into ceramic. All elements of the collection harmonise with one another as each one of them bears the signature of the Italian designer couple, Ludovica+Roberto Palomba.

