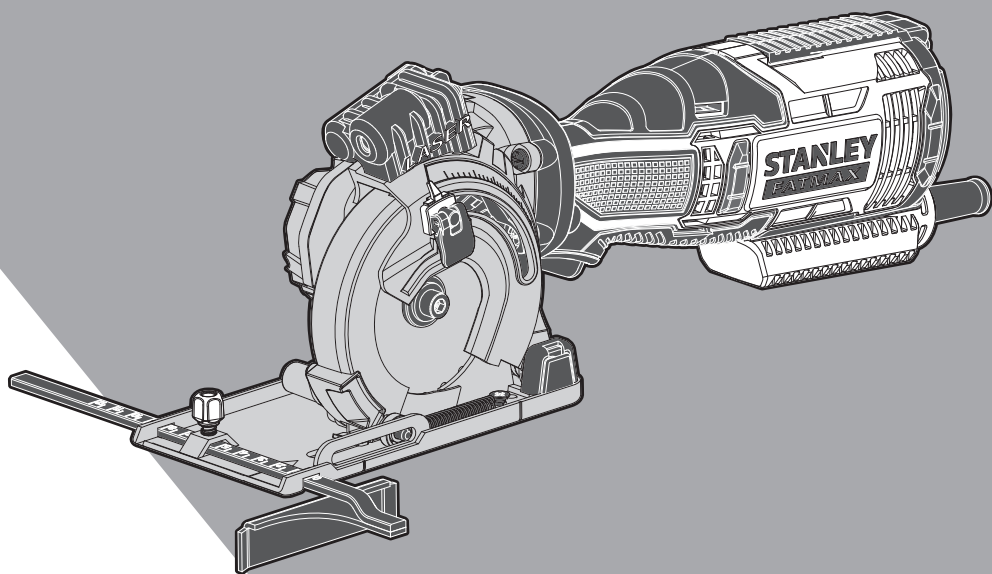


# STANLEY<sup>®</sup>

## FATMAX<sup>®</sup>



[www.stanley.eu](http://www.stanley.eu)

FME380

EN

DE

FR

IT

NL

ES

PT

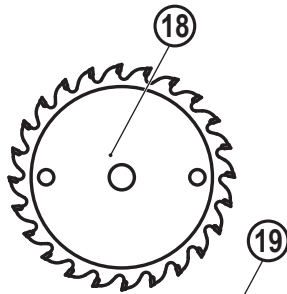
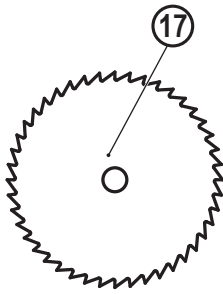
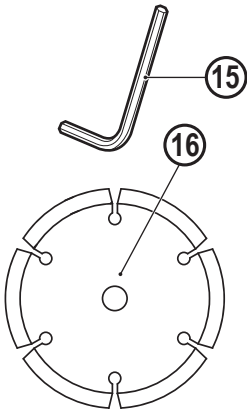
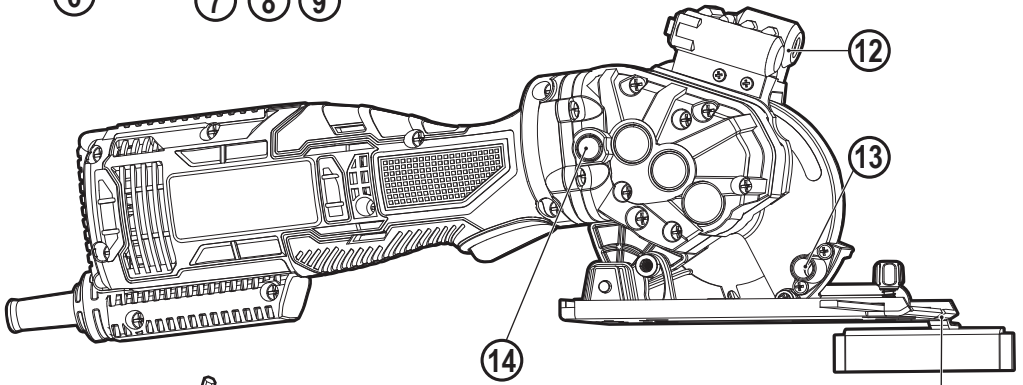
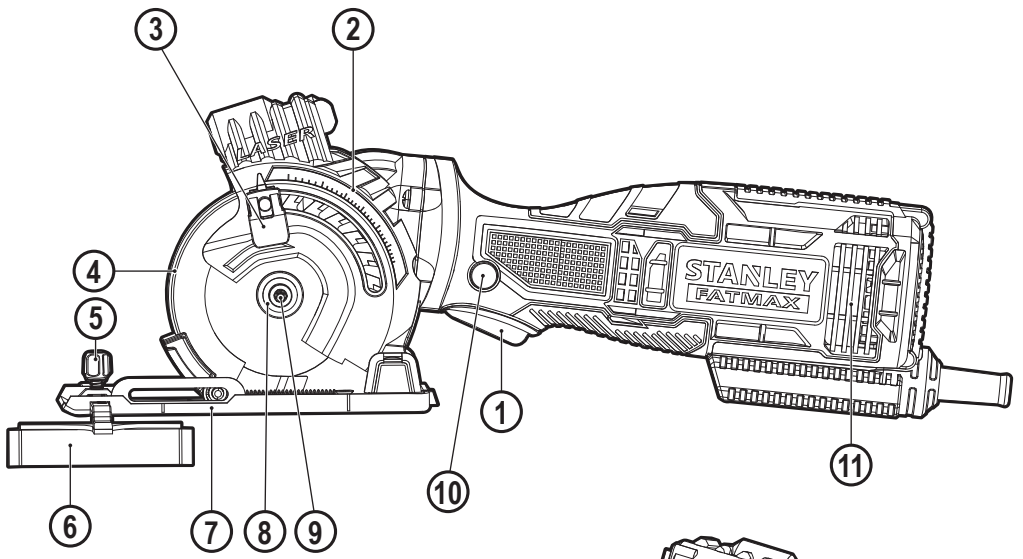
SV

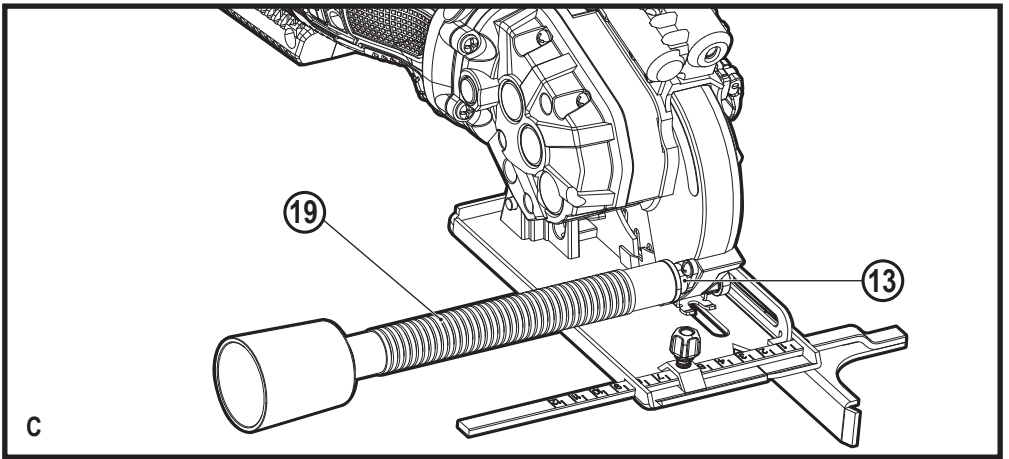
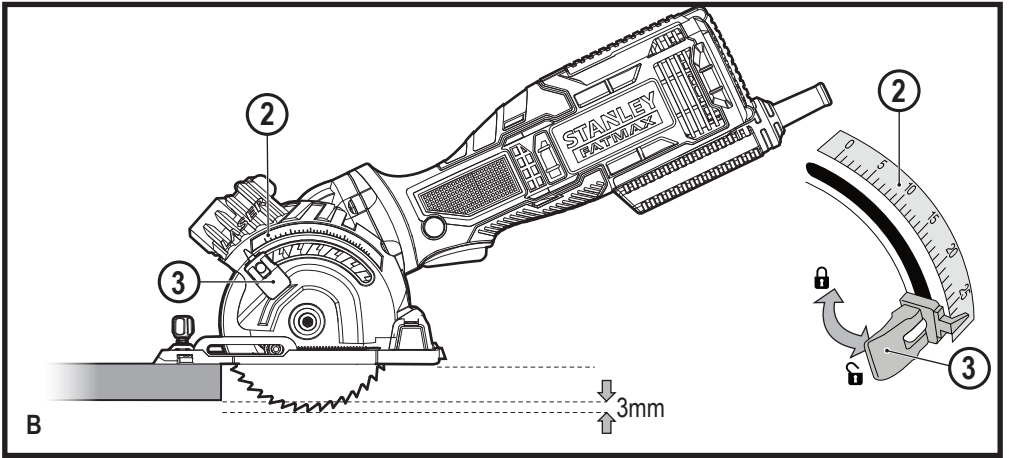
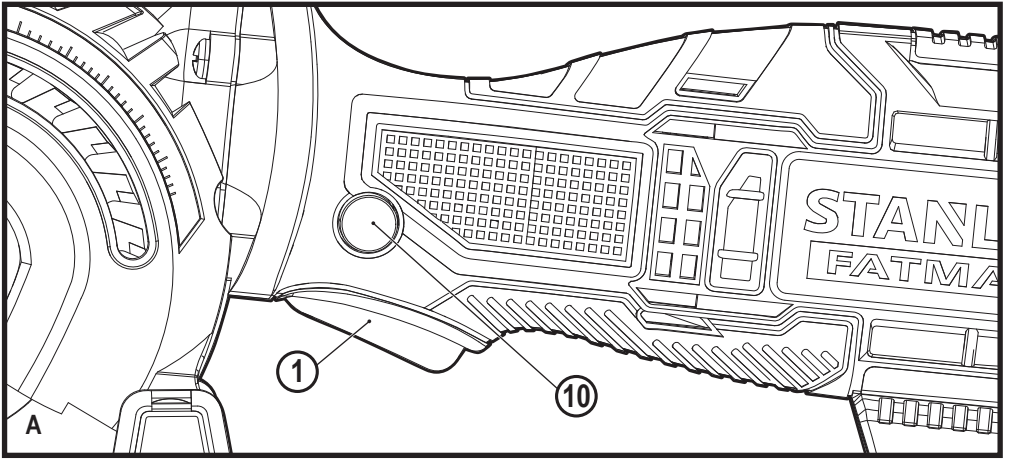
NO

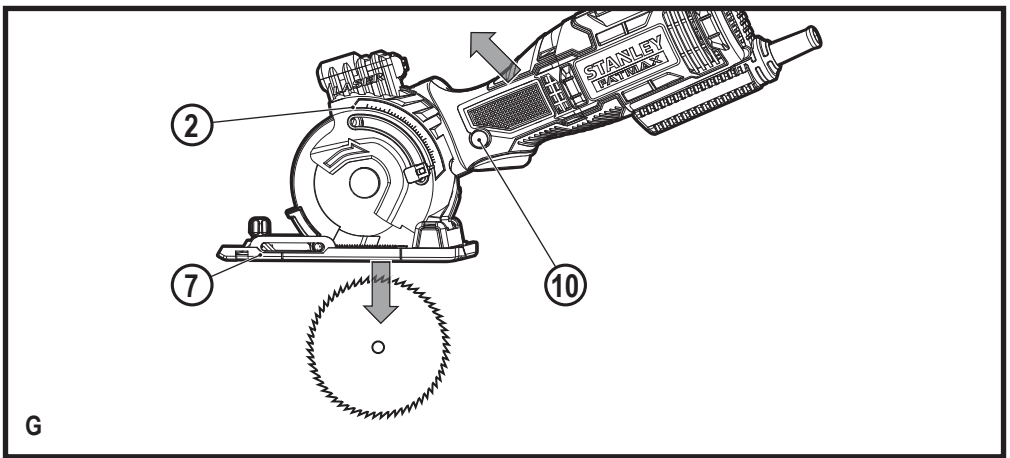
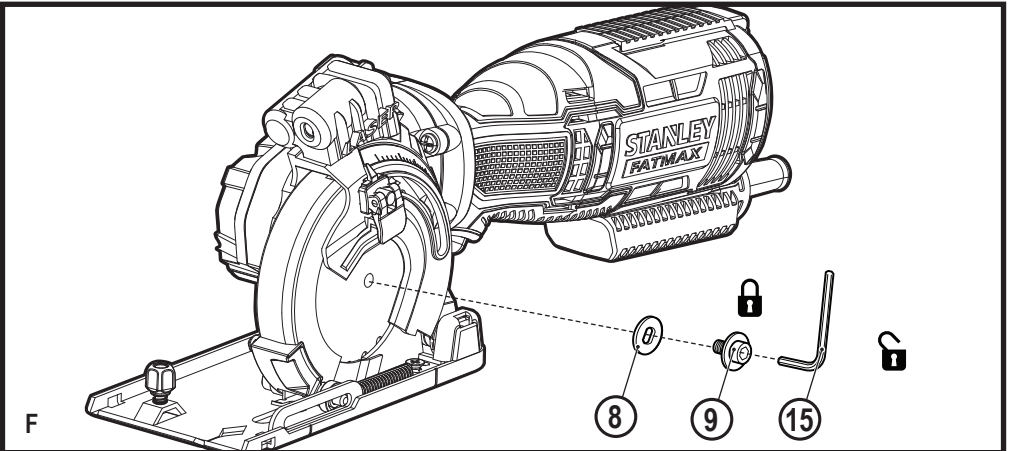
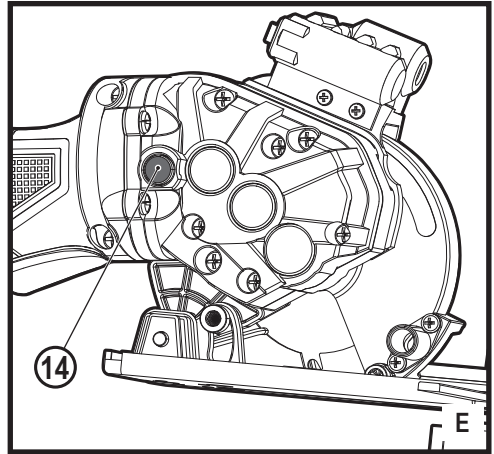
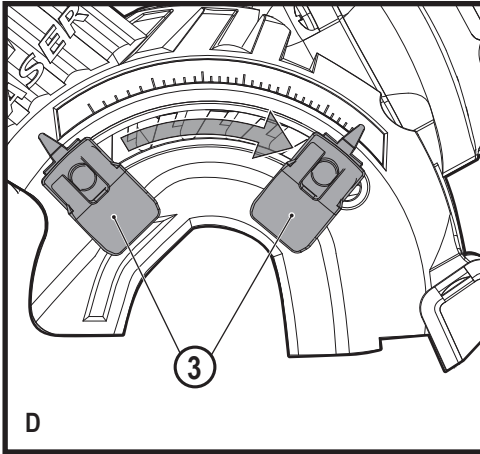
DK

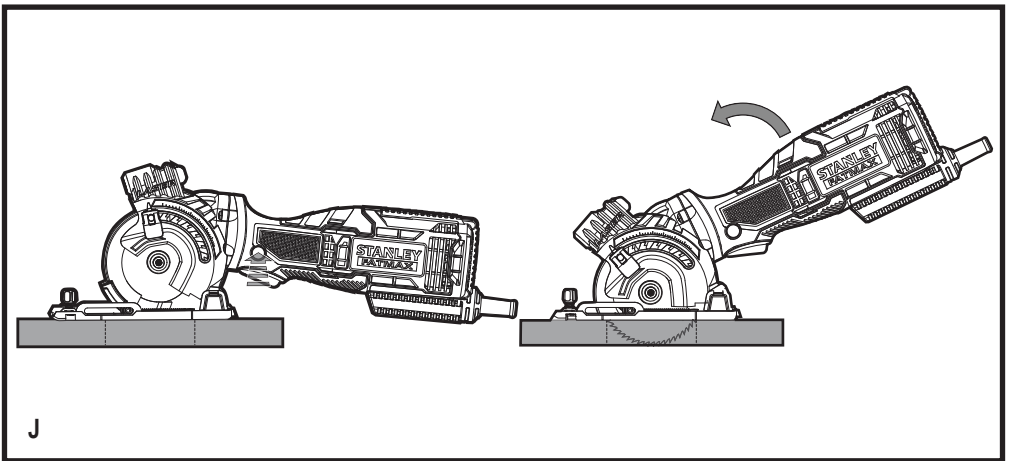
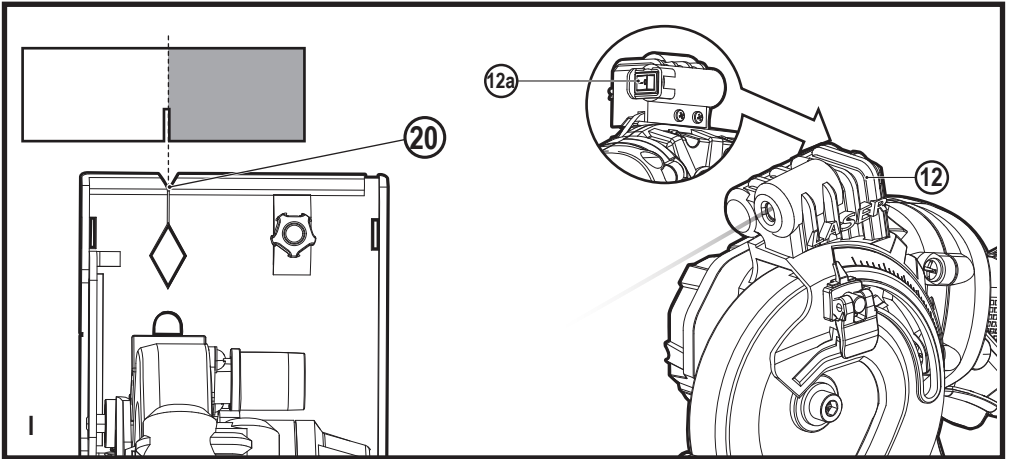
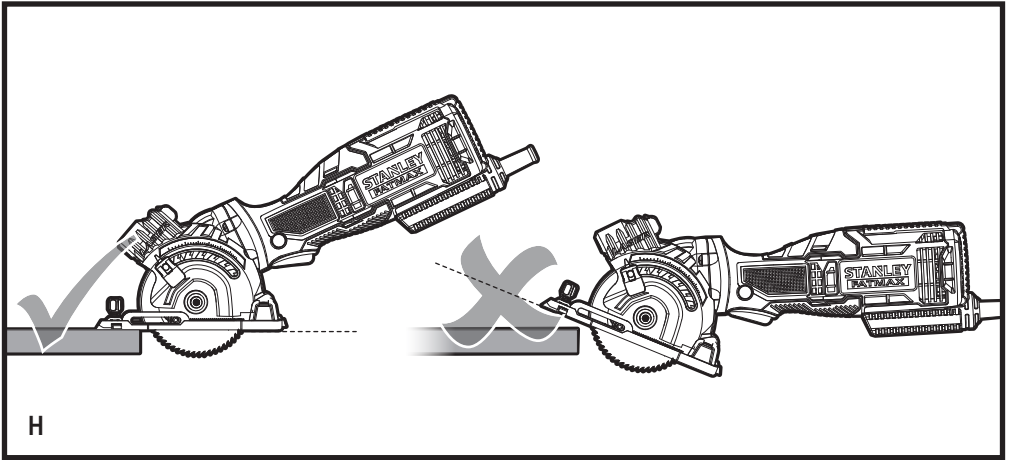
FI

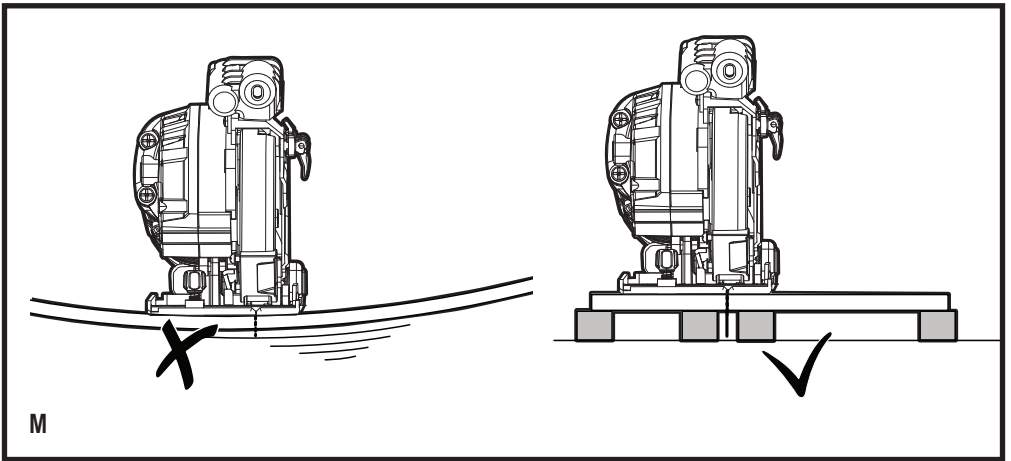
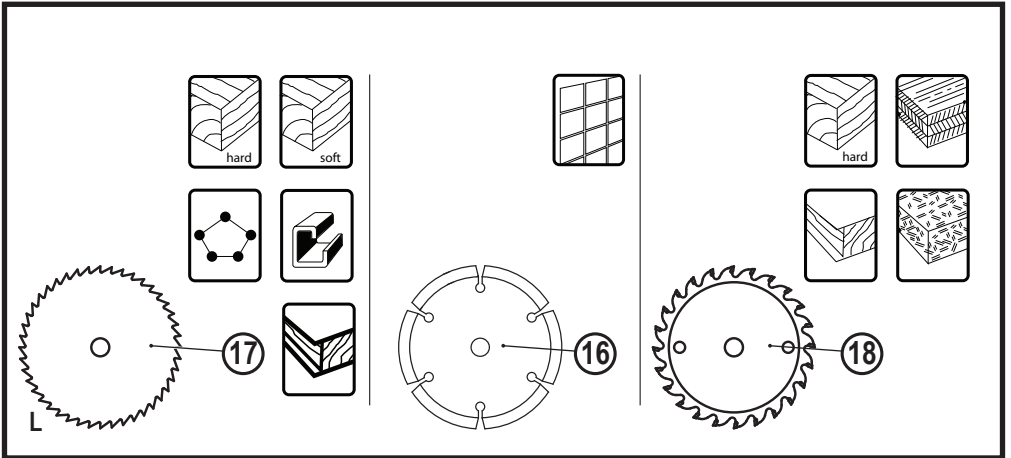
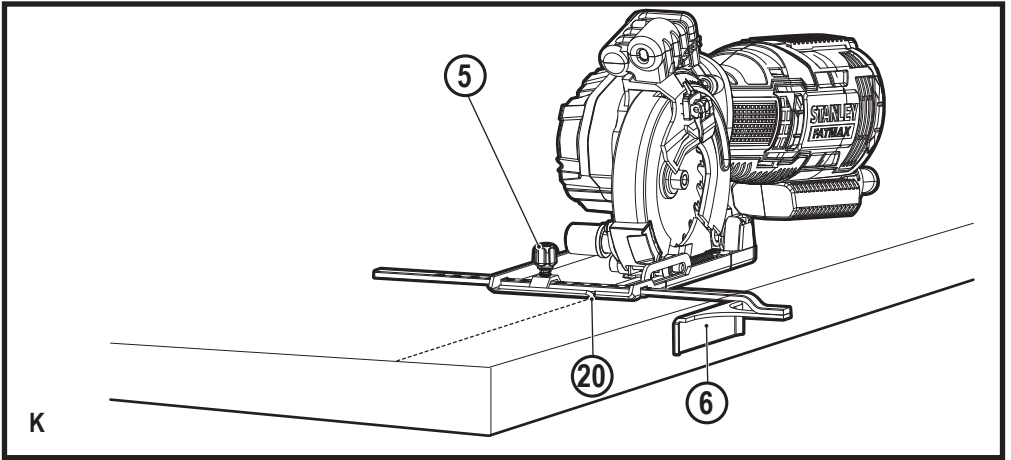
EL











## Intended use

Your Stanley Fat Max FME380 Compact multi-material saw has been designed for lengthways and crossways sawing of wood, chipboard, plywood, aluminium, tiles, stone, plastic and lightweight construction materials held in a fixed position. It is intended for making short cuts only. This tool is intended for professional and private, non professional users.

## Safety instructions

### General power tool safety warnings



**Warning!** Read all safety warnings and all instructions. Failure to follow the warnings and instructions listed below may result in electric shock, fire and/or serious injury.

### Save all warnings and instructions for future reference.

The term "power tool" in the warnings refers to your mains operated (corded) power tool or battery operated (cordless) power tool.

1. **Work area safety**
  - a. **Keep work area clean and well lit.** Cluttered or dark areas invite accidents.
  - b. **Do not operate power tools in explosive atmospheres, such as in the presence of flammable liquids, gases or dust.** Power tools create sparks which may ignite the dust or fumes.
  - c. **Keep children and bystanders away while operating a power tool.** Distractions can cause you to lose control.
2. **Electrical safety**
  - a. **Power tool plugs must match the outlet. Never modify the plug in any way. Do not use any adapter plugs with earthed (grounded) power tools.** Unmodified plugs and matching outlets will reduce risk of electric shock.
  - b. **Avoid body contact with earthed or grounded surfaces such as pipes, radiators, ranges and refrigerators.** There is an increased risk of electric shock if your body is earthed or grounded.
  - c. **Do not expose power tools to rain or wet conditions.** Water entering a power tool will increase the risk of electric shock.
  - d. **Do not abuse the cord. Never use the cord for carrying, pulling or unplugging the power tool. Keep cord away from heat, oil, sharp edges or moving parts.** Damaged or entangled cords increase the risk of electric shock.
  - e. **When operating a power tool outdoors, use an extension cord suitable for outdoor use.** Use of a cord suitable for outdoor use reduces the risk of electric shock.
3. **Personal safety**
  - a. **Stay alert, watch what you are doing and use common sense when operating a power tool. Do not use a power tool while you are tired or under the influence of drugs, alcohol or medication.** A moment of inattention while operating power tools may result in serious personal injury.
  - b. **Use personal protective equipment. Always wear eye protection.** Protective equipment such as dust mask, non-skid safety shoes, hard hat, or hearing protection used for appropriate conditions will reduce personal injuries.
  - c. **Prevent unintentional starting. Ensure the switch is in the off-position before connecting to power source and/or battery pack, picking up or carrying the tool.** Carrying power tools with your finger on the switch or energising power tools that have the switch on invites accidents.
  - d. **Remove any adjusting key or wrench before turning the power tool on.** A wrench or a key left attached to a rotating part of the power tool may result in personal injury.
  - e. **Do not overreach. Keep proper footing and balance at all times.** This enables better control of the power tool in unexpected situations.
  - f. **Dress properly. Do not wear loose clothing or jewellery. Keep your hair, clothing and gloves away from moving parts.** Loose clothes, jewellery or long hair can be caught in moving parts.
  - g. **If devices are provided for the connection of dust extraction and collection facilities, ensure these are connected and properly used.** Use of dust collection can reduce dust-related hazards.
4. **Power tool use and care**
  - a. **Do not force the power tool. Use the correct power tool for your application.** The correct power tool will do the job better and safer at the rate for which it was designed.
  - b. **Do not use the power tool if the switch does not turn it on and off.** Any power tool that cannot be controlled with the switch is dangerous and must be repaired.
  - c. **Disconnect the plug from the power source and/or the battery pack from the power tool before making any adjustments, changing accessories, or storing power tools.** Such preventive safety measures reduce the risk of starting the power tool accidentally.
- f. **If operating a power tool in a damp location is unavoidable, use a residual current device (RCD) protected supply.** Use of an RCD reduces the risk of electric shock.

- d. **Store idle power tools out of the reach of children and do not allow persons unfamiliar with the power tool or these instructions to operate the power tool.** Power tools are dangerous in the hands of untrained users.
  - e. **Maintain power tools. Check for misalignment or binding of moving parts, breakage of parts and any other condition that may affect the power tools operation. If damaged, have the power tool repaired before use.** Many accidents are caused by poorly maintained power tools.
  - f. **Keep cutting tools sharp and clean.** Properly maintained cutting tools with sharp cutting edges are less likely to bind and are easier to control.
  - g. **Use the power tool, accessories and tool bits etc. in accordance with these instructions, taking into account the working conditions and the work to be performed.** Use of the power tool for operations different from those intended could result in a hazardous situation.
5. **Service**
- a. **Have your power tool serviced by a qualified repair person using only identical replacement parts.** This will ensure that the safety of the power tool is maintained.

## Safety instructions for all saws

### Cutting procedures



**Danger: Keep hands away from cutting area and the blade. Keep your second hand on auxiliary handle, or motor housing.** If both hands are holding the saw, they cannot be cut by the blade

- ◆ **Do not reach underneath the workpiece.** The guard cannot protect you from the blade below the workpiece.
- ◆ **Adjust the cutting depth to the thickness of the workpiece.** Less than a full tooth of the blade teeth should be visible below the workpiece.
- ◆ **Never hold piece being cut in your hands or across your leg. Secure the workpiece to a stable platform.** It is important to support the work properly to minimize body exposure, blade binding, or loss of control.
- ◆ **Hold power tool by insulated gripping surfaces when performing an operation where the cutting accessory may contact hidden wiring or its own cord.** Cutting accessory contacting a "live" wire may make exposed metal parts of the power tool "live" and could give the operator an electric shock
- ◆ **When ripping, always use a rip fence or straight edge guide.** This improves the accuracy of cut and reduces the chance of blade binding.
- ◆ **Always use blades with correct size and shape (diamond versus round) of arbour holes.**

Blades that do not match the mounting hardware of the saw will run eccentrically, causing loss of control.

- ◆ **Never use damaged or incorrect blade washers or bolt.** The blade washers and bolt were specially designed for your saw, for optimum performance and safety of operation.



**Warning!** Contact with or inhalation of dusts arising from sawing applications may endanger the health of the operator and possible bystanders. Wear a dust mask specifically designed for protection against dust and fumes and ensure that persons within or entering the work area are also protected.

- ◆ Thoroughly remove all dust after sawing.
- ◆ Do not let children or pregnant women enter the work area.
- ◆ Do not eat, drink or smoke in the work area.
- ◆ Dispose of dust particles and any other debris safely.
- ◆ The intended use is described in this instruction manual. The use of any accessory or attachment or performance of any operation with this tool other than those recommended in this instruction manual may present a risk of personal injury and/or damage to property.
- ◆ The accessory will continue to move after releasing the switch. Always switch the tool off and wait for the accessory to come to a complete standstill before putting the tool down.
- ◆ **Keep blades sharp.** Dull or damaged blades may cause the saw to swerve or stall under pressure. Always use the appropriate type of saw blade for the workpiece material and type of cut.
- ◆ When cutting pipe or conduit, make sure that they are free from water, electrical wiring, etc.
- ◆ Do not touch the workpiece or the blade immediately after operating the tool. They can become very hot.
- ◆ Be aware of hidden hazards, before cutting into walls, floors or ceilings, check for the location of wiring and pipes.
- ◆ Avoid cutting nails, inspect the material that is being cut to see if there are nails in it and remove before cutting.
- ◆ Do not run the saw while carrying it at your side.
- ◆ Make sure the depth locking lever is tight and secure before making a cut.
- ◆ When cutting is interrupted or the blade bound, please release the trigger immediately and hold the saw firmly in the material until the blade comes to a complete stop. Never attempt to remove the saw from the work or pull the saw backward while the blade is in motion, otherwise, kickback might happen.



## Further safety instructions for all saws

### Kickback causes and related warnings

- ◆ kickback is a sudden reaction to a pinched, bound or misaligned saw blade, causing an uncontrolled saw to lift up and out of the workpiece toward the operator;
- ◆ when the blade is pinched or bound tightly by the kerf closing down, the blade stalls and the motor reaction drives the unit rapidly back toward the operator;
- ◆ if the blade becomes twisted or misaligned in the cut, the teeth at the back edge of the blade can dig into the top surface of the wood causing the blade to climb out of the kerf and jump back toward the operator.

Kickback is the result of tool misuse and/or incorrect operating procedures or conditions and can be avoided by taking proper precautions as given below.

- ◆ **Maintain a firm grip with both hands on the saw and position your arms to resist kickback forces. Position your body to either side of the blade, but not in line with the blade.** Kickback could cause the saw to jump backwards, but kickback forces can be controlled by the operator, if proper precautions are taken.
- ◆ **When blade is binding, or when interrupting a cut for any reason, release the trigger and hold the saw motionless in the material until the blade comes to a complete stop. Never attempt to remove the saw from the work or pull the saw backward while the blade is in motion or kickback may occur.** Investigate and take corrective actions to eliminate the cause of blade binding.
- ◆ **When restarting a saw in the workpiece, centre the saw blade in the kerf and check that saw teeth are not engaged into the material.** If saw blade is binding, it may walk up or kickback from the workpiece as the saw is restarted.
- ◆ **Support large panels to minimise the risk of blade pinching and kickback.** Large panels tend to sag under their own weight. Supports must be placed under the panel on both sides, near the line of cut and near the edge of the panel.
- ◆ **Do not use dull or damaged blades.** Unsharpened or improperly set blades produce narrow kerf causing excessive friction, blade binding and kickback.
- ◆ **Blade depth and bevel adjusting locking levers must be tight and secure before making cut.** If blade adjustment shifts while cutting, it may cause binding and kickback.
- ◆ **Use extra caution when sawing into existing walls or other blind areas.** The protruding blade may cut objects that can cause kickback.

### Lower guard function

- ◆ **Check guard for proper closing before each use. Do not operate the saw if guard does not move freely and enclose the blade instantly. Never clamp or tie the guard so that the blade is exposed.** If saw is accidentally dropped, guard may be bent. Check to make sure that guard moves freely and does not touch the blade or any other part, in all angles and depths of cut.
- ◆ **Check the operation of the lower guard spring. If the guard and the spring are not operating properly, they must be serviced before use.** Lower guard may operate sluggishly due to damaged parts, gummy deposits, or a build-up of debris.
- ◆ **The lower guard may be retracted manually only for special cuts such as "plunge cuts" and "compound cuts". Raise the lower guard by the retracting handle and as soon as the blade enters the material, the lower guard must be released.** For all other sawing, the lower guard should operate automatically.
- ◆ **Always observe that the lower guard is covering the blade before placing the saw down on bench or floor.** An unprotected, coasting blade will cause the saw to walk backwards, cutting whatever is in its path. Be aware of the time it takes for the blade to stop after the switch is released.

### Saw blades

- ◆ Do not use blades of larger or smaller diameter than recommended. For the proper blade rating refer to the technical data. Use only the blades specified in this manual, complying with EN 847-1.
- ◆ **Warning!** Never use abrasive wheels.

### Safety of others

- ◆ This tool can be used by children aged from 8 years and above and persons with reduced physical, sensory or mental capabilities or lack of experience and knowledge if they have been given supervision or instruction concerning use of the appliance in a safe way and understand the hazards involved.
- ◆ Children shall not play with the tool. Cleaning and user maintenance shall not be made by children without supervision.

### Residual risks

Additional residual risks may arise when using the tool which may not be included in the enclosed safety warnings. These risks can arise from misuse, prolonged use etc.

Even with the application of the relevant safety regulations and the implementation of safety devices, certain residual risks can not be avoided. These include:

- ◆ Injuries caused by touching any rotating/moving parts.

- ◆ Injuries caused when changing any parts, blades or accessories.
- ◆ Injuries caused by prolonged use of a tool. When using any tool for prolonged periods ensure you take regular breaks.
- ◆ Impairment of hearing.
- ◆ Health hazards caused by breathing dust developed when using your tool (example:- working with wood, especially oak, beech and MDF.)



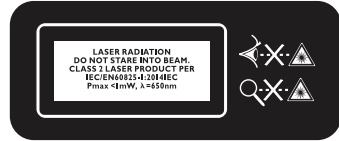
Wear gloves when handling saw blades.



**Warning!** Laser radiation.



Do not view the laser beam directly with optical instruments.



**Vibration**

The declared vibration emission values stated in the technical data and the declaration of conformity have been measured in accordance with a standard test method provided by EN 60745 and may be used for comparing one tool with another. The declared vibration emission value may also be used in a preliminary assessment of exposure.

**Warning!** The vibration emission value during actual use of the power tool can differ from the declared value depending on the ways in which the tool is used. The vibration level may increase above the level stated.

When assessing vibration exposure to determine safety measures required by 2002/44/EC to protect persons regularly using power tools in employment, an estimation of vibration exposure should consider, the actual conditions of use and the way the tool is used, including taking account of all parts of the operating cycle such as the times when the tool is switched off and when it is running idle in addition to the trigger time.

**Labels on tool**

The following pictograms, along with the date code, are shown on the tool:



**Warning!** To reduce the risk of injury, the user must read the instruction manual.



Wear safety glasses or goggles.



Wear ear protection.



Wear a dust mask.



This product is not to be used by children under 16.



No Hands Zone - Keep fingers and arms away from rotational saw blades.

**Electrical safety**



This tool is double insulated; therefore no earth wire is required. Always check that the power supply corresponds to the voltage on the rating plate.

- ◆ If the supply cord is damaged, it must be replaced by the manufacturer or an authorised Stanley Fat Max Service Centre in order to avoid a hazard.

**Features**

This tool includes some or all of the following features.

1. Trigger On/Off switch
2. Cutting depth scale
3. Clamp for setting cutting depth
4. Lower guard
5. Parallel guide adjustment knob
6. Parallel guide
7. Footplate
8. Clamping flange
9. Blade bolt
10. Trigger lock and shoe release button
11. Ventilation slots
12. Laser sight
13. Connection for dust extraction
14. Spindle-lock button
15. Hex key
16. Diamond saw blade
17. Hardened steel saw blade
18. TCT saw blade
19. Dust extraction hose
20. Line-of-cut indicator

**Assembly**

Check for damage to the tool, parts and accessories which may have occurred during transportation. Take some time to read this manual carefully and understand all the content prior to assembly and operation

## Use

**Warning!** Let the tool work at its own pace. Do not overload.

### Switching on and off (fig. A)

**Note:** Before engaging the on/off switch, check the saw blade to see if it is fitted properly and runs smoothly, and the blade clamp screw is well tightened.

- ◆ Push the trigger lock and shoe release button (10) to release the trigger.
- ◆ Switch on tool by pulling trigger switch (1).
- ◆ Switch off tool by releasing trigger switch (1).

### Adjusting cutting depth (0-28,5 mm) (fig.B)

- ◆ Loosen clamp (3).
- ◆ Set desired cutting depth using scale (2).
- ◆ Tighten clamp (3)
- ◆ For an optimal quality cut, the saw blade should not extend more than 3 mm below the workpiece
- ◆ Be aware that the actual depth of cut of the diamond disc differs approx. 2 mm from the depth of cut indicated on scale (2).

**Note:** Always make trial cuts first to verify actual line of cut.

### Dust suction (fig.C)

- ◆ connect vacuum cleaner hose (19) to connection (13) and vacuum cleaner as illustrated.

**Warning!** Never let the vacuum cleaner hose interfere with the lower guard or the cutting operation.

**Warning!** Do not use vacuum cleaner when cutting metal.

### Changing saw blade (fig. D - G)

**Warning!** Before changing blades or performing any maintenance, ensure the tool is off and disconnected from the power source.

- ◆ Set cutting depth to the maximum (fig. D).
- ◆ Use hex key (15) provided.
- ◆ Push spindle-lock button (14) and hold (Fig. E). Remove blade bolt (9) by turning hex key (15) CLOCKWISE (= in same direction as arrow imprinted on the guard) (Fig. F).
- ◆ Release spindle-lock button (14).
- ◆ Remove flange (8).
- ◆ Press button (10) with your thumb
- ◆ Lift up foot (7) and remove saw blade.
- ◆ Install new blade making sure that rotation of blade is in same direction as arrow imprinted on the guard.
- ◆ Mount flange (8).
- ◆ Firmly tighten blade bolt (9) by turning hex key (15) COUNTER-CLOCKWISE while pushing spindle-lock button (14).
- ◆ Release spindle-lock button (14).

## Operating the tool (fig. H - M)

- ◆ Set desired cutting depth.
- ◆ Connect plug to power source.
- ◆ Press button (10) with your thumb.
- ◆ Place tool with front end of foot flat on workpiece.
- ◆ Tilt tool forward with line-of-cut indicator (20) lined up with desired line of cut marked on the workpiece (fig. H).
- ◆ Ensure that the saw teeth are not engaged into the workpiece.
- ◆ Switch on the tool.
- ◆ The tool should run at full speed before the blade enters into the workpiece.
- ◆ Do not force the tool (apply light and continuous pressure in order to avoid overheating the blade tips and, in case of cutting plastics, melting the plastic material).
- ◆ While working, always hold the tool at the insulated grip area(s).
- ◆ After completing the cut switch off tool by releasing trigger (1).
- ◆ Ensure that the blade has come to a complete standstill, before you lift the tool from the workpiece.

## Electronic Function. Laser beam action (Fig.I)

**Caution!** When not in use, be sure to turn off the laser.

Never look into the laser beam directly; laser beam may injure your eyes.

LASER RADIATION: DO NOT STARE INTO THE BEAM or any CLASSII LASER PRODUCTS.

Before shifting the laser line or performing maintenance adjustment, be sure to unplug the tool.

- ◆ To turn the laser on/off, toggle the switch (12a) on the back of the laser housing.

## Cleaning of the lens for the laser light

If the lens for the laser light becomes dirty, or sawdust adheres to it in such a way that the laser line is no longer easily visible, unplug the saw and clean the lens carefully with a damp, soft cloth. Do not use solvents or any petroleum based cleaners on the lens.

**Note:** When laser line is dim and almost or entirely invisible because of the direct sunlight in the indoor or outdoor window near your work area, relocate the work area to a place not exposed to direct sunlight.

**Note:** All of the adjustments for the operation of this machine have been carried out at the factory.

**Caution:** Use of controls or adjustments or performance of procedures other than those specified herein may result in hazardous radiation exposure. The use of optical instruments with this product will increase eye hazard. Do not attempt to repair or disassemble the laser. If unqualified persons attempt to repair this laser product, serious injury may result.

Any repair required on this laser product should be performed by authorised service centre personnel.

### Plunge cutting (fig. J)

- ◆ Press button (10).
- ◆ Switch on the tool.

**Warning!** The tool should run at full speed before the blade enters into the workpiece.

- ◆ Tilt tool forward with line-of-cut indicator (20) lined up with desired line of cut marked on the workpiece. Gradually move tool forward.

**Warning!** Never pull tool backwards.

### Using the parallel guide (fig. K)

- ◆ For making exact cuts along a workpiece edge.
- ◆ Can be inserted in either side of foot.

### Adjusting parallel guide

- ◆ Loosen knob (5)
- ◆ Adjust to desired cutting width by using parallel guide scale (use line-of-cut indicator (20) as 0-reference).
- ◆ Tighten knob (5).

### Tips for optimum use

- ◆ Only use sharp saw blades of the correct type and size (fig. L).
- ◆ Use hardened steel saw blade (17) for cutting wood, aluminium, plastic and all sorts of laminated wood
- ◆ Use diamond saw for (16) cutting ceramics and tiles
- ◆ Use carbide-tipped blade (18) for wood and plastic only

### Cutting large panels (fig. M)

- ◆ Support panel close to the cut either on floor, table or workbench.

**Warning!** Set cutting depth so that you cut through panel and not through support.

- ◆ In case parallel guide does not allow desired width of cut, clamp or nail straight piece of wood to workpiece as a guide, and use the right side of the foot against this guide.

### Splinter-free cutting

- ◆ Always face the good side of the workpiece down - fasten a straight piece of wood on the workpiece by means of 2 clamps.

### Cutting particularly tough or abrasive materials

#### Soft sheet metal

- ◆ Always set the depth adjustment to at least 1 mm deeper than the material thickness to avoid the blade riding up over the surface. Scrap material is required underneath the work surface.

- ◆ Remove burrs and rust as these impede the feed across the material.
- ◆ Thick beeswax (furniture polish) applied to the base plate of the tool makes metal cutting easier.
- ◆ Only suitable for cutting brass, copper, lead or aluminium.
- ◆ Every 2 minutes of metal cutting should be followed by a rest of at least 3 minutes.

### Ceramic tiles, slates etc

- ◆ Only use a blade specifically designed for this purpose.
- ◆ Always use with a suitable vacuum cleaner or dust extractor connected as the dust can be hazardous to the operator and prevent the guard operating correctly.

### Plasterboard:

- ◆ The plunge saw is only recommended for making occasional cut outs in plasterboard and always use it with a suitable vacuum cleaner or dust extractor connected. The dust can prevent the guard operating correctly.
- ◆ Conventional tools such as keyhole saws or knives generally give excellent results, though the plunge saw can be used if a particularly neat, dust free cut is required or if there is a danger of cutting pipes or cables.

### Maintenance

Your Stanley Fat Max corded/cordless appliance/tool has been designed to operate over a long period of time with a minimum of maintenance. Continuous satisfactory operation depends upon proper tool care and regular cleaning.

**Warning!** Before performing any maintenance on corded/cordless power tools:

- ◆ Switch off and unplug the appliance/tool.
- ◆ Or switch off and remove the battery from the appliance/tool if the appliance/tool has a separate battery pack.
- ◆ Or run the battery down completely if it is integral and then switch off.
- ◆ Regularly clean the ventilation slots in your appliance/tool/charger using a soft brush or dry cloth.
- ◆ Regularly clean the motor housing using a damp cloth. Do not use any abrasive or solvent-based cleaner.

**Warning!** If any of the following events occur during normal operation, the power supply should be shut off at once and tool thoroughly inspected by a qualified person and repaired if necessary:

- ◆ The rotating parts get stuck or speed drops abnormally low.
- ◆ The tool shakes abnormally accompanied by some unusual noise.
- ◆ The motor housing gets abnormally hot.
- ◆ Heavy sparks occur around the motor area

## Mains plug replacement (U.K. & Ireland only)

If a new mains plug needs to be fitted:

- ◆ Safely dispose of the old plug.
- ◆ Connect the brown lead to the live terminal in the new plug.
- ◆ Connect the blue lead to the neutral terminal.

**Warning!** No connection is to be made to the earth terminal.

Follow the fitting instructions supplied with good quality plugs.

Recommended fuse: 5 A.

## Protecting the environment



Separate collection. Products and batteries marked with this symbol must not be disposed of with normal household waste.

Products and batteries contain materials that can be recovered or recycled reducing the demand for raw materials. Please recycle electrical products and batteries according to local provisions. Further information is available at [www.2helpU.com](http://www.2helpU.com)

## Technical data

		FME380
Voltage	$V_{AC}$	230
No-load speed	$\text{min}^{-1}$	4500
Blade size	mm	89
Max cutting depth (soft wood)	mm	28.5
Max cutting depth (tile)	mm	8
Max cutting depth (aluminium)	mm	3

### Level of sound pressure according to EN 60745:

Circular saw function: Sound pressure ( $L_p$ ) 90 dB(A), uncertainty (K) 3 dB(A)

Sound power ( $L_{wp}$ ) 101 dB(A), uncertainty (K) 3 dB(A)

Cutting off machine function: ( $L_p$ ) 97 dB(A), uncertainty (K) 3 m/s<sup>2</sup>

Sound power ( $L_{wp}$ ) 108 dB(A), uncertainty (K) 3 dB(A)

### Vibration total values (triax vector sum) according to EN 60745:

Cutting wood ( $a_{hv}$ ) 2.4 m/s<sup>2</sup>, uncertainty (K) 1,5 m/s<sup>2</sup>

Cutting metal ( $a_{hM}$ ) 5.5 m/s<sup>2</sup> uncertainty (K) 1,5 m/s<sup>2</sup>

Cutting concrete slab ( $a_{hv}$ ) 5,5 m/s<sup>2</sup>, uncertainty (K) 1,5 m/s<sup>2</sup>

## EC declaration of conformity

MACHINERY DIRECTIVE



FME380 Compact multi-material saw

Stanley Europe declares that these products described under "technical data" are in compliance with:

2006/42/EC, EN62841-1:2015, EN 62841-2-5:2014

These products also comply with Directive 2014/30/EU and 2011/65/EU. For more information, please contact Stanley Europe at the following address or refer to the back of the manual.

The undersigned is responsible for compilation of the technical file and makes this declaration on behalf of Stanley Europe.

R. Laverick  
Engineering Manager  
Stanley Europe, Egide Walschaertsstraat14-18,  
2800 Mechelen, Belgium  
23/08/2016

## Guarantee

Stanley Europe is confident of the quality of its products and offers consumers a 12 month guarantee from the date of purchase. This guarantee is in addition to and in no way prejudices your statutory rights. The guarantee is valid within the territories of the Member States of the European Union and the European Free Trade Area.

To claim on the guarantee, the claim must be in accordance with Stanley Europe Terms and Conditions and you will need to submit proof of purchase to the seller or an authorised repair agent. Terms and conditions of the Stanley Europe 1 year guarantee and the location of your nearest authorised repair agent can be obtained on the Internet at [www.2helpU.com](http://www.2helpU.com), or by contacting your local Stanley FatMax office at the address indicated in this manual.

Please visit our website [www.stanley.eu/3](http://www.stanley.eu/3) to register your new Stanley Fat Max product and receive updates on new products and special offers.

## Verwendungszweck

Ihre Stanley Fat Max FME380 Kompakte Multimaterialsäge ist zum Längs- und Quersägen von Holz, Spanplatten, Sperrholz, Aluminium, Fliesen, Stein, Kunststoff und Leichtbaumaterialien vorgesehen, die in einer festen Position gehalten werden. Sie ist nur für kurze Schnitte vorgesehen. Dieses Gerät ist zum gewerblichen und privaten Einsatz vorgesehen.

## Sicherheitshinweise

### Allgemeine Sicherheitswarnungen für das Gerät



**Warnung!** Lesen Sie alle Sicherheitswarnhinweise und alle Anweisungen. Die Nichteinhaltung der folgenden Warnungen und Anweisungen kann einen elektrischen Schlag, Brand und/oder schwere Verletzungen verursachen.

**Bewahren Sie alle Sicherheitswarnungen und Anweisungen gut auf.** Der Begriff "Gerät" bezieht sich auf netzbetriebene Geräte (mit Netzkabel) und auf akkubetriebene Geräte (ohne Netzkabel).

#### 1. Sicherheit im Arbeitsbereich

- a. **Halten Sie Ihren Arbeitsbereich sauber und gut ausgeleuchtet.** Unaufgeräumte oder dunkle Bereiche begünstigen Unfälle.
- b. **Betreiben Sie das Gerät nicht in Umgebungen, in denen Explosionsgefahr z. B. aufgrund von brennbaren Flüssigkeiten, Gasen oder Staub besteht.** Geräte erzeugen Funken, die den Staub oder die Dämpfe entzünden können.
- c. **Halten Sie Kinder und andere Personen während der Benutzung eines Geräts fern.** Bei Ablenkung können Sie die Kontrolle verlieren.

#### 2. Elektrische Sicherheit

- a. **Der Netzstecker des Geräts muss in die Steckdose passen. Ändern Sie niemals den Stecker in irgendeiner Form. Verwenden Sie keinerlei Adapterstecker an geerdeten Elektrogeräten.** Unveränderte Stecker und passende Steckdosen mindern die Gefahr eines elektrischen Schlages.
- b. **Vermeiden Sie Körperkontakt mit geerdeten Oberflächen von Rohren, Heizungen, Herden und Kühlschränken.** Es besteht eine erhöhte Gefahr für einen elektrischen Schlag, wenn Ihr Körper geerdet ist.
- c. **Halten Sie Geräte von Regen und Nässe fern.** Das Eindringen von Wasser in ein Gerät erhöht das Risiko eines elektrischen Schlages.
- d. **Verwenden Sie das Kabel ordnungsgemäß. Verwenden Sie es niemals zum Tragen.**

**Trennen Sie das Gerät nicht durch Ziehen am Kabel vom Netz. Halten Sie das Kabel fern von Hitze, Öl, scharfen Kanten oder beweglichen Teilen.** Beschädigte oder verhedderte Kabel erhöhen die Gefahr eines elektrischen Schlages.

- e. **Verwenden Sie nur für den Außenbereich zugelassene Verlängerungskabel, wenn Sie mit dem Gerät im Freien arbeiten.** Die Verwendung eines für den Außenbereich geeigneten Verlängerungskabels verringert das Risiko eines elektrischen Schlages.
- f. **Wenn das Gerät in einer feuchten Umgebung verwendet werden muss, schließen Sie es unbedingt an eine Steckdose mit Fehlerstromschutzschalter (FI-Schalter) an.** Ein Fehlerstromschutzschalter verringert das Risiko eines elektrischen Schlages.

#### 3. Sicherheit von Personen

- a. **Seien Sie aufmerksam, achten Sie darauf, was Sie tun, und gehen Sie sachgerecht mit einem Gerät um. Benutzen Sie kein Gerät, wenn Sie müde sind oder unter dem Einfluss von Drogen, Alkohol oder Medikamenten stehen.** Ein Moment der Unachtsamkeit beim Betrieb eines Geräts kann zu schweren Verletzungen führen.
- b. **Verwenden Sie eine geeignete Schutzausrüstung. Tragen Sie immer einen Augenschutz.** Das Tragen persönlicher Schutzausrüstung, wie Staubmaske, rutschfeste Sicherheitsschuhe, Schutzhelm oder Gehörschutz, je nach Art und Einsatz des Geräts, verringert das Risiko von Verletzungen.
- c. **Vermeiden Sie eine unbeabsichtigte Inbetriebnahme. Vergewissern Sie sich, dass das Gerät ausgeschaltet ist, bevor Sie es an eine Steckdose oder einen Akku anschließen, es hochheben oder tragen.** Wenn Sie beim Tragen des Geräts den Finger am Schalter haben oder das Gerät eingeschaltet an die Stromversorgung anschließen, kann dies zu Unfällen führen.
- d. **Entfernen Sie Einstell- oder Schraubenschlüssel, bevor Sie das Gerät einschalten.** Werkzeuge oder Schlüssel, die an rotierenden Teilen des Elektrogerätes angebracht sind, können zu Verletzungen führen.
- e. **Beugen Sie sich nicht zu weit nach vorne. Sorgen Sie für einen sicheren Stand und halten Sie jederzeit das Gleichgewicht.** Dadurch können Sie das Gerät in unerwarteten Situationen besser kontrollieren.
- f. **Tragen Sie geeignete Kleidung. Tragen Sie keine weite Kleidung und keinen Schmuck. Halten Sie Ihre Haare, Kleidung und Handschuhe von beweglichen Teilen fern.** Lose sitzende Kleidung, Schmuck oder lange Haare können sich in den beweglichen Teilen verfangen.

- g. Falls Vorrichtungen zum Absaugen oder Auffangen von Staub vorhanden sind, vergewissern Sie sich, dass diese angeschlossen sind und richtig verwendet werden. Das Verwenden einer Staubauffangvorrichtung verringert Gefährdungen durch Staub.
4. **Gebrauch und Pflege von Geräten**
- a. **Überlasten Sie das Gerät nicht. Verwenden Sie das für Ihre Arbeit passende Gerät.** Das richtige Gerät wird die Aufgabe besser und sicherer erledigen, wenn es bestimmungsgemäß verwendet wird.
- b. **Verwenden Sie das Gerät nicht, wenn der Ein-/Ausschalter nicht funktioniert.** Ein Gerät, das sich nicht mehr ein- oder ausschalten lässt, ist gefährlich und muss repariert werden.
- c. **Ziehen Sie den Stecker aus der Steckdose, oder trennen Sie das Gerät vom Akku, bevor Sie Einstellungen vornehmen, Zubehörteile wechseln oder das Gerät lagern.** Diese Vorbeugemaßnahmen mindern die Gefahr, dass das Elektrogerät unbeabsichtigt startet.
- d. **Bewahren Sie unbenutzte Geräte außerhalb der Reichweite von Kindern auf. Lassen Sie Geräte nicht von Personen benutzen, die damit nicht vertraut sind oder diese Anweisungen nicht gelesen haben.** Geräte sind in den Händen nicht geschulter Personen gefährlich.
- e. **Halten Sie das Gerät in einem einwandfreien Zustand. Kontrollieren Sie, ob bewegliche Teile falsch ausgerichtet sind oder klemmen und ob Teile gebrochen oder so beschädigt sind, dass die Funktion des Geräts beeinträchtigt ist. Bei Beschädigungen lassen Sie das Gerät reparieren, bevor Sie es verwenden.** Viele Unfälle entstehen wegen mangelnder Wartung der Geräte.
- f. **Halten Sie Schneidgeräte scharf und sauber.** Richtig gewartete Schneidwerkzeuge mit scharfen Klingen blockieren seltener und sind leichter unter Kontrolle zu halten.
- g. **Verwenden Sie Geräte, Zubehör, Einsätze usw. entsprechend diesen Anweisungen und berücksichtigen Sie dabei die Arbeitsbedingungen und die auszuführende Arbeit.** Der Gebrauch von Geräten für andere als die vorgesehenen Zwecke kann zu gefährlichen Situationen führen.
5. **Service**
- a. **Lassen Sie das Gerät nur von qualifiziertem Fachpersonal und nur mit Originalersatzteilen reparieren.** Damit wird sichergestellt, dass die Sicherheit des Geräts erhalten bleibt.

## Sicherheitshinweise für Sägen

### Vorgehen beim Sägen



**Gefahr: Halten Sie Ihre Hände vom Sägebereich und dem Sägeblatt fern. Halten Sie die andere Hand am Zusatzgriff oder dem Motorgehäuse.** Wenn Sie die Säge mit beiden Händen halten, kann das Sägeblatt keine Verletzungen an den Händen verursachen.

- ◆ **Greifen Sie niemals unter das Werkstück.** Die Schutzeinrichtungen können Sie nicht vor dem Teil des Sägeblatts schützen, der sich unterhalb des Werkstücks befindet.
- ◆ **Stellen Sie die Schnitttiefe auf die Dicke des Werkstücks ein.** Unterhalb des Werkstücks sollte weniger als ein ganzer Sägezahn sichtbar sein.
- ◆ **Halten Sie das zu schneidende Werkstück niemals mit den Händen oder über den Beinen. Sichern Sie das Werkstück auf einer stabilen Plattform.** Es ist wichtig, das Werkstück richtig abzustützen, damit Ihr Körper geschützt wird, die Trennscheibe nicht festklemmt und Sie die Kontrolle behalten.
- ◆ **Halten Sie das Elektrowerkzeug an den isolierten Griffflächen, wenn Arbeiten durchgeführt werden, bei denen das Schneidwerkzeug versteckte Leitungen oder die eigene Anschlussleitung berühren könnte.** Der Kontakt mit stromführenden Leitungen kann auch offenen liegende Metallteile am Gerät unter Strom setzen und zu einem Stromschlag führen.
- ◆ **Verwenden Sie beim Längsschneiden stets einen Parallelanschlag oder eine gerade Schnittführung.** Auf diese Weise wird die Genauigkeit des Schnitts verbessert, und die Gefahr, dass sich das Sägeblatt verklemt, wird reduziert.
- ◆ **Verwenden Sie stets Sägeblätter der richtigen Größe und Form (Diamant kontra rund) der Wellenbohrungen.** Trennscheiben, die nicht zu den Befestigungsteilen der Säge passen, laufen exzentrisch, was zu einem Kontrollverlust führt.
- ◆ **Verwenden Sie niemals beschädigte oder falsche Unterlegscheiben oder einen beschädigten oder falschen Bolzen für das Sägeblatt.** Die Unterlegscheiben und der Bolzen für die Trennscheibe wurden speziell für Ihre Säge konstruiert, so dass eine optimale Leistung und Betriebssicherheit erzielt wird.



**Warnung!** Die Berührung und das Einatmen von Stäuben, die beim Sägen von Materialien entstehen, können beim Bediener und bei Umstehenden gesundheitliche Schäden verursachen. Tragen Sie eine speziell für den Schutz vor Staub und Dämpfen vorgesehene Staubmaske, und stellen Sie sicher, dass auch andere Personen entsprechend geschützt sind, die den Arbeitsplatz betreten oder sich dort aufhalten.

- ◆ Entfernen Sie nach dem Sägen sorgfältig alle Staubreste.
- ◆ Verhindern Sie, dass Kinder oder Schwangere den Arbeitsplatz betreten.
- ◆ Essen, trinken und rauchen Sie nicht am Arbeitsplatz.
- ◆ Entsorgen Sie Staubteilchen und andere Schleifabfälle sachgerecht.
- ◆ Die bestimmungsgemäße Verwendung ist in dieser Betriebsanleitung beschrieben. Die Verwendung von Zubehör- oder Anbauteilen, die nicht in dieser Anleitung empfohlen werden, sowie die Bedienung des Geräts in Abweichung von den in dieser Anleitung beschriebenen Verfahren können zu Verletzungen und/oder Sachschäden führen.
- ◆ Das Zubehöriteil bewegt sich auch dann noch, wenn Sie den Schalter losgelassen haben. Schalten Sie das Gerät vor dem Ablegen stets aus, und warten Sie, bis das Zubehöriteil zum Stillstand gekommen ist.
- ◆ **Halten Sie die Sägeblätter scharf.** Stumpfe oder beschädigte Klingen können dazu führen, dass das Gerät unter Druck blockiert oder ausbricht. Verwenden Sie immer ein für das jeweilige Werkstück und die Schnittart geeignetes Sägeblatt.
- ◆ Achten Sie beim Sägen von Rohren oder Leitungen darauf, dass diese frei von Wasser, Stromkabeln und Ähnlichem sind.
- ◆ Berühren Sie das Werkstück oder das Sägeblatt nicht direkt nach dem Gebrauch. Sie können sehr heiß werden.
- ◆ Achten Sie auch auf nicht sichtbare Gefahren, wenn Sie in Wände, Böden oder Decken sägen. Prüfen Sie diese Stellen auf dahinter liegende Kabel oder Rohre.
- ◆ Vermeiden Sie das Sägen von Nägeln, kontrollieren Sie daher das Material, das gesägt werden soll, um zu sehen, ob sich darin Nägel befinden; wenn ja, entfernen Sie diese vor dem Sägen.
- ◆ Tragen Sie niemals eine laufende Säge seitlich am Körper.
- ◆ Achten Sie darauf, dass der Sicherungshebel für die Sägeblatttiefe gesichert ist, bevor Sie einen Schnitt machen.

- ◆ Wenn die Schneidarbeit unterbrochen wird oder das Sägeblatt klemmt, schalten Sie die Säge aus, und halten Sie sie fest im Material, bis das Sägeblatt vollständig zum Stillstand kommt. Versuchen Sie niemals, das Sägeblatt aus dem Werkstück zu entfernen oder nach hinten zu ziehen, während das Sägeblatt in Bewegung ist, da dies zu einem Rückschlag führen kann.

## Weitere Sicherheitsanweisungen für alle Sägen

### Rückschlagursachen und damit verbundene Sicherheitshinweise

- ◆ Ein Rückschlag ist die plötzliche Reaktion auf ein eingeklemmtes, hängendes oder falsch ausgerichtetes Sägeblatt. Dies führt dazu, dass sich die Säge unkontrolliert nach oben und aus dem Werkstück in Richtung Benutzer herausbewegt;
- ◆ Falls das Sägeblatt eingeklemmt wird oder durch den Schlitz hängen bleibt, so wird das Sägeblatt festgebremst, und durch die Reaktion des Motors wird die Einheit rasch zum Benutzer zurückgeschleudert;
- ◆ Falls das Sägeblatt verdreht oder im Schnitt falsch ausgerichtet wird, so können sich die Zähne an der Hinterkante des Sägeblatts in die Oberfläche des Holzes graben, wodurch das Sägeblatt aus dem Schlitz "herausklettern" und in Richtung Benutzer zurückschnellt.

Ein Rückschlag ist das Resultat eines Missbrauchs und/oder einer falschen Bedienung der Kettensäge oder falscher Arbeitsbedingungen. Er kann durch die entsprechenden unten angegebenen Vorsichtsmaßnahmen vermieden werden.

- ◆ **Halten Sie die Säge mit beiden Händen fest, und positionieren Sie Ihre Arme so, dass Sie Rückschlägen entgegenwirken können. Positionieren Sie Ihren Körper auf einer der beiden Seiten des Sägeblatts, jedoch nicht in einer Reihe mit dem Sägeblatt.** Ein Rückschlag kann dazu führen, dass die Säge zurückschnellt; die Rückschlagkräfte können jedoch vom Bediener unter Kontrolle gehalten werden, wenn entsprechende Vorsichtsmaßnahmen getroffen werden.
- ◆ **Wenn das Sägeblatt klemmt oder Sie die Schneidarbeit aus sonstigen Gründen unterbrechen wollen, schalten Sie die Säge aus, und halten Sie sie bewegungslos im Material, bis das Sägeblatt vollständig zum Stillstand kommt. Versuchen Sie niemals, das Sägeblatt aus dem Werkstück zu entfernen oder nach hinten zu ziehen, während das Sägeblatt in Bewegung ist, da dies zu einem Rückschlag führen kann.** Untersuchen Sie den Fall und treffen Sie Abhilfemaßnahmen, um die Ursache des Hängens des Sägeblatts zu beseitigen.



- ◆ **Wird eine Säge im Werkstück wieder in Betrieb genommen, zentrieren Sie das Sägeblatt im Schlitz und vergewissern Sie sich, dass die Sägeblattzähne nicht in das Material eingreifen.** Wenn das Sägeblatt klemmt, kann es beim erneuten Einschalten nach oben gehoben werden, oder es kann zu einem Rückschlag vom Werkstück kommen.
- ◆ **Stützen Sie große Platten ab, damit das Sägeblatt nicht eingeklemmt wird und kein Rückschlag entsteht.** Große Platten neigen zum Durchbiegen unter ihrem eigenen Gewicht. Unter der Platte in der Nähe der Schnittlinie und in der Nähe der Plattenkante müssen auf beiden Seiten Stützen platziert werden.
- ◆ **Verwenden Sie niemals stumpfe oder beschädigte Sägeblätter.** Ungeschärfte oder falsch geschränkte Sägeblätter erzeugen einen schmalen Sägeschlitz. Die Folge sind übermäßige Reibung, Verklemmen des Sägeblatts und Rückschlag.
- ◆ **Die Sicherungshebel für die Sägeblatttiefe und –neigung müssen fest und gesichert sein, bevor der Schnitt durchgeführt wird.** Wenn sich die Sägeblatteinstellung beim Schneiden ändert, kann dies zu Klemmen und Rückschlag führen.
- ◆ **Gehen Sie beim Sägen in Wände oder sonstige unübersichtliche Bereiche besonders vorsichtig vor.** Die vorstehende Klinge kann in Objekte schneiden, die zu einem Rückschlag führen.

### Funktion der unteren Schutzvorrichtung

- ◆ **Vergewissern Sie sich vor jedem Gebrauch, dass die Schutzvorrichtung richtig schließt. Benutzen Sie die Säge nicht, wenn sich die Schutzvorrichtung nicht frei bewegen lässt und das Blatt nicht vollständig umschließt. Klemmen oder binden Sie die Schutzvorrichtung keinesfalls so fest, dass das Sägeblatt freiliegt.** Wenn die Säge versehentlich fallen gelassen wird, kann sich die Schutzvorrichtung verbiegen. Stellen Sie sicher, dass sich die Schutzvorrichtung frei bewegen lässt und in sämtlichen Schnittwinkeln und -tiefen nicht das Sägeblatt oder ein anderes Teil berührt.
- ◆ **Überprüfen Sie die Funktionsfähigkeit der Feder für die untere Schutzvorrichtung. Falls Schutzvorrichtung und Feder nicht einwandfrei funktionieren, so müssen diese Teile vor dem Gebrauch instandgesetzt werden.** Möglicherweise arbeitet die untere Schutzvorrichtung aufgrund beschädigter Teile, Harzablagerungen oder einer Ansammlung von Spänen schwergängig.
- ◆ **Der untere Blattschutz darf nur bei speziellen Schnitten wie Eintauch- und Verbundschnitten von Hand zurückgezogen werden.**

**Heben Sie die untere Schutzvorrichtung an, indem Sie den Einzugshebel einfahren, und sobald das Sägeblatt in den Werkstoff tritt, muss die untere Schutzvorrichtung freigegeben werden.** Bei allen anderen Sägearbeiten muss die untere Schutzvorrichtung automatisch arbeiten.

- ◆ **Achten Sie stets darauf, dass der untere Blattschutz das Sägeblatt umschließt, bevor Sie die Säge auf einer Werkbank oder auf dem Boden ablegen.** Ein ungeschützt auslaufendes Sägeblatt löst eine Rückwärtsbewegung der Säge aus und zerschneidet alles, was sich im Weg befindet. Seien Sie sich darüber im Klaren, dass es einige Zeit dauert, bis das Sägeblatt zum Stillstand kommt, nachdem der Schalter losgelassen wurde.

### Sägeblätter

- ◆ **Verwenden Sie keine Blätter mit einem kleineren oder größeren Durchmesser als empfohlen.** Angaben über die richtigen Sägeblätter sind den Technischen Daten zu entnehmen. Verwenden Sie nur die in diesem Handbuch spezifizierten Sägeblätter im Einklang mit EN 847-1.
- ◆ **Warnung!** Verwenden Sie auf keinen Fall Trennscheiben.

### Sicherheit anderer Personen

- ◆ Dieses Werkzeug darf von Kindern ab 8 Jahren und Personen mit eingeschränktem körperlichen, sensorischen oder geistigen Fähigkeiten sowie mangelnder Erfahrung und Wissen in Bezug auf dessen Gebrauch bedient werden, wenn sie bei der Verwendung des Geräts beaufsichtigt oder angeleitet werden und die möglichen Gefahren verstehen.
- ◆ Kinder dürfen nicht mit dem Gerät spielen. Reinigung und Wartungsarbeiten dürfen von Kindern nur unter Aufsicht durchgeführt werden.

### Restrisiken

Beim Gebrauch dieses Geräts verbleiben zusätzliche Restrisiken, die möglicherweise nicht in den Sicherheitswarnungen genannt werden. Diese Risiken bestehen beispielsweise bei Missbrauch oder längerem Gebrauch.

Auch bei der Einhaltung der entsprechenden Sicherheitsvorschriften und der Verwendung aller Sicherheitsgeräte bestehen weiterhin bestimmte Restrisiken. Diese sind:

- ◆ Verletzungen, die durch das Berühren von sich drehenden/bewegenden Teilen verursacht werden.
- ◆ Verletzungen, die durch das Austauschen von Teilen, Messern oder Zubehör verursacht werden.
- ◆ Verletzungen, die durch längeren Gebrauch eines Geräts verursacht werden. Legen Sie bei längerem Gebrauch regelmäßige Pausen ein.
- ◆ Beeinträchtigung des Gehörs.

- ◆ Gesundheitsrisiken durch das Einatmen von Staub beim Verwenden des Geräts (beispielsweise bei Holzarbeiten, insbesondere Eiche, Buche und MDF.)



Blicken Sie nicht unter Verwendung optischer Hilfsmittel direkt in den Laserstrahl.

## Vibration

Die in den Abschnitten "Technische Daten" und "EG-Konformitätserklärung" angegebenen Werte für die Vibrationsemission wurden mit einer Standard-Prüfmethode nach EN 60745 ermittelt und können zum Vergleich verschiedener Geräte herangezogen werden. Außerdem kann mit Hilfe dieses Werts die Belastung bei Verwendung des Geräts schon im Voraus eingeschätzt werden.

**Warnung!** Die bei Verwendung des Geräts auftretende Vibrationsemission hängt von der Art des Gerätegebrauchs ab und kann dementsprechend von dem angegebenen Wert abweichen. Gegebenenfalls kann die Vibration über dem angegebenen Wert liegen.

Für die Ermittlung der Vibrationsbelastung müssen die tatsächlichen Einsatzbedingungen und Verwendungen des Geräts während des gesamten Arbeitsgangs berücksichtigt werden, einschließlich der Zeiten, wenn das Gerät nicht verwendet oder im Leerlauf betrieben wird. Diese Werte werden benötigt, um die gemäß 2002/44/EG erforderlichen Sicherheitsmaßnahmen zum Schutz von Personen festlegen zu können.

## Etiketten am Werkzeug

Folgende Piktogramme sowie der Datumscode befinden sich auf dem Werkzeug:



**Warnung!** Lesen Sie vor Gebrauch die Anleitung. Andernfalls besteht Verletzungsgefahr.



Tragen Sie eine Schutzbrille.



Tragen Sie Gehörschutz.



Tragen Sie eine Staubmaske.



Das Gerät darf nicht von Personen unter 16 Jahren verwendet werden.



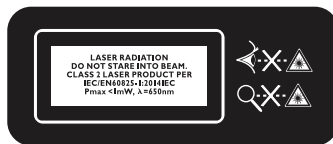
Bereich "Keine Hände" – Halten Sie Finger und Arme von den rotierenden Sägeblättern fern.



Tragen Sie beim Umgang mit den Sägeblättern Handschuhe.



**Warnung!** Laserstrahlung.



## Elektrische Sicherheit



Dieses Gerät ist schutzisoliert, daher ist keine Erdleitung erforderlich. Überprüfen Sie immer, dass die Stromversorgung der Spannung auf dem Typenschild entspricht.

- ◆ Ist das Netzkabel beschädigt, muss es durch den Hersteller oder eine Stanley Fat Max Vertragswerkstatt ausgetauscht werden, um eine mögliche Gefährdung zu vermeiden.

## Merkmale

Dieses Gerät verfügt über einige oder alle der folgenden Merkmale:

1. Auslöser Ein-/Ausschalter
2. Schnitttiefenskala
3. Klemme zum Festlegen der Schnitttiefe
4. Untere Schutzvorrichtung
5. Knopf zum Einstellen des Parallelenschlags
6. Parallelenschlag
7. Fußplatte
8. Spannflansch
9. Sägeblattschraube
10. Abzugssperre und Schuhenriegelungsknopf
11. Lüftungsschlitze
12. Laservisier
13. Anschluss für Staubabsaugvorrichtung
14. Spindelarretierung
15. Innensechskantschlüssel
16. Diamantsägeblatt
17. Sägeblatt aus gehärtetem Stahl
18. TCT-Sägeblatt
19. Spanabsaugschlauch
20. Schnittlinienanzeige

## Montage

Prüfen Sie das Gerät, die Teile und Zubehöerteile auf Beschädigungen, die beim Transport entstanden sein könnten. Nehmen Sie sich vor der Montage und dem Betrieb etwas Zeit, um dieses Handbuch sorgfältig zu lesen und den gesamten Inhalt zu verstehen.

## Verwendung

**Warnung!** Beschleunigen Sie den Arbeitsvorgang nicht mit Gewalt. Vermeiden Sie eine Überlastung.

### Ein- und Ausschalten (Abb. A)

**Hinweis:** Bevor Sie den Ein/Aus-Schalter betätigen, überprüfen Sie, ob das Sägeblatt richtig eingebaut ist und reibungslos läuft und ob die Sägeblattklemmschraube richtig angezogen ist.

- ◆ Drücken Sie auf Abzugssperre und den Schuhentriegelungsknopf (10), um den Abzug freizugeben.
- ◆ Schalten Sie das Werkzeug durch Ziehen des Abzugsschalters (1) ein.
- ◆ Schalten Sie das Werkzeug durch Loslassen des Abzugsschalters (1) aus.

### Einstellen der Schnitttiefe (0-28,5 mm) (Abb. B)

- ◆ Lösen Sie die Klemme (3).
- ◆ Stellen Sie die gewünschte Schnitttiefe mit Hilfe der Skala (2) ein.
- ◆ Ziehen Sie die Klemme (3) fest.
- ◆ Für eine optimale Schnittqualität sollte das Sägeblatt nicht weiter als 3 mm unterhalb des Werkstücks reichen.
- ◆ Bedenken Sie, dass die tatsächliche Schnitttiefe von Diamantscheiben sich um ca. 2 mm von der Schnitttiefe auf der Skala (2) unterscheidet.

**Hinweis:** Machen Sie immer erst einen Probeschnitt, um die tatsächliche Schnittlinie zu überprüfen.

### Staubabsaugung (Abb.C)

- ◆ Verbinden Sie den Staubsaugerschlauch (19) wie gezeigt mit dem Verbindungsstück (13) und dem Staubsauger.

**Warnung!** Der Staubsaugerschlauch darf keinesfalls in den Bereich der unteren Schutzvorrichtung gelangen oder den Schneidvorgang stören.

**Warnung!** Verwenden Sie beim Schneiden von Metall keinen Staubsauger.

### Wechseln des Sägeblatts (Abb. D - G)

**Warnung!** Vor dem Wechseln von Sägeblättern oder bevor Wartungsarbeiten durchgeführt werden, ist sicherzustellen, dass das Werkzeug ausgeschaltet ist und von der Stromquelle getrennt wurde.

- ◆ Stellen Sie die Schnitttiefe auf das Maximum ein (Abb. D).
- ◆ Verwenden Sie den mitgelieferten Innensechskantschlüssel (15).
- ◆ Halten Sie die Spindelarretierung (14) gedrückt (Abb. E). Entfernen Sie die Sägeblattschraube (9) mit dem Innensechskantschlüssel (15).

IM UHRZEIGERSINN (= in gleicher Richtung wie der eingeprägte Pfeil auf der Schutzvorrichtung) (Abb. F).

- ◆ Lassen Sie die Spindelarretierung (14) los.
- ◆ Entfernen Sie den Flansch (8).
- ◆ Drücken Sie mit dem Daumen auf die Taste (10).
- ◆ Heben Sie den Fuß (7) an und entfernen Sie das Sägeblatt.
- ◆ Installieren Sie das neue Sägeblatt und achten Sie dabei darauf, es sich in die gleiche Richtung dreht wie der eingeprägte Pfeil auf der Schutzvorrichtung.
- ◆ Montieren Sie den Flansch (8).
- ◆ Ziehen Sie die Sägeblattschraube (9) durch Drehen des Innensechskantschlüssels (15) GEGEN DEN UHRZEIGERSINN fest, während Sie die Spindelarretierung (14) gedrückt halten.
- ◆ Lassen Sie die Spindelarretierung (14) los.

### Verwenden des Geräts (Abb. H - M)

- ◆ Stellen Sie die gewünschte Schnitttiefe ein.
- ◆ Verbinden Sie den Stecker mit der Stromquelle.
- ◆ Drücken Sie mit dem Daumen auf die Taste (10).
- ◆ Setzen Sie das Werkzeug mit der Fußvorderseite flach auf das Werkstück.
- ◆ Kippen Sie das Werkzeug so nach vorne, dass die Schnittlinienanzeige (20) an der gewünschten Schnittlinie ausgerichtet ist, die auf dem Werkstück markiert ist (Abb. H).
- ◆ Stellen Sie sicher, dass die Sägezähne sich nicht im Werkstück verkeilt haben.
- ◆ Schalten Sie das Werkzeug ein.
- ◆ Das Werkzeug sollte mit voller Geschwindigkeit laufen, bevor das Sägeblatt in das Werkstück eintritt.
- ◆ Das Werkzeug nicht mit Gewalt vorwärts bewegen (leichten und andauernden Druck ausüben, um die Überhitzung der Sägeblattspitzen und beim Schneiden von Kunststoff das Schmelzen zu vermeiden).
- ◆ Das Werkzeug während der Arbeit immer an den isolierten Griffbereichen halten.
- ◆ Nach Abschluss des Schnitts das Werkzeug durch Loslassen des Abzugs (1) ausschalten.
- ◆ Sicherstellen, dass das Sägeblatt zum Stillstand gekommen ist, bevor Sie das Werkzeug vom Werkstück heben.

### Elektronikfunktion. Laserstrahlaktivität (Abb. I)

**Achtung!** Bei Nichtgebrauch sollten Sie den Laser ausschalten.

Schauen Sie nie direkt in den Laserstrahl; Laserstrahlung kann zu Augenverletzungen führen.

LASERSTRAHLUNG: NICHT IN DEN LASERSTRAHL ODER IN LASERPRODUKTE DER KLASSE II BLICKEN.

Bevor die Laserlinie verschoben wird oder Wartungseinstellungen vorgenommen werden, muss der Netzstecker des Werkzeugs gezogen werden.

- ◆ Zum Ein-/Ausschalten des Lasers betätigen Sie den Schalter (12a) an der Rückseite des Lasergehäuses.

### Reinigen der Linse für das Laserlicht

Wenn die Linse für das Laserlicht verschmutzt ist oder Sägemehl an ihr haftet, so dass die Laserlinie nicht mehr gut sichtbar ist, ziehen Sie den Netzstecker der Säge und reinigen Sie die Linse vorsichtig mit einem feuchten, weichen Tuch.

Verwenden Sie keine Lösungsmittel oder Reinigungsmittel auf Erdölbasis, diese können die Linse beschädigen.

**Hinweis:** Wenn die Laserlinie schwach und aufgrund direkter Sonneneinstrahlung fast oder völlig unsichtbar ist, weil in der Nähe von Fenstern gearbeitet wird, verlagern Sie den Arbeitsbereich an eine Stelle, die keiner direkten Sonneneinstrahlung ausgesetzt ist.

**Hinweis:** Alle Einstellungen für den Betrieb dieser Maschine wurden im Werk vorgenommen.

**Vorsicht:** Durch Verwendung von Steuerungen oder Anpassung oder Verfahren, die nicht in diesem Dokument angegeben sind, kann der Verwender gefährlicher Strahlung ausgesetzt werden. Wenn zusammen mit diesem Produkt optische Instrumente verwendet werden, erhöht sich die Gefahr von Augenschäden. Versuchen Sie nicht, den Laser selbst zu reparieren oder zu zerlegen. Wenn unqualifizierte Personen versuchen, dieses Laser-Produkt zu reparieren, kann es zu schweren Verletzungen kommen.

Jegliche Reparaturen an diesem Laser-Produkt müssen durch Mitarbeiter einer autorisierten Vertragswerkstatt erfolgen.

### Eintauchschnitte (Abb.J)

- ◆ Drücken Sie Taste (10).
- ◆ Schalten Sie das Werkzeug ein.

**Warnung!** Das Werkzeug sollte mit voller Geschwindigkeit laufen, bevor

das Sägeblatt in das Werkstück eintritt.

- ◆ Kippen Sie das Werkzeug so nach vorne, dass die Schnittlinienanzeige (20) an der gewünschten Schnittlinie ausgerichtet ist, die auf dem Werkstück markiert ist. Bewegen Sie das Werkzeug langsam vorwärts.

**Warnung!** Ziehen Sie das Werkzeug niemals nach hinten.

### Verwendung des Parallelanschlags (Abb.K)

- ◆ Für exakte Schnitte entlang einer Werkstückkante.
- ◆ Kann in beiden Seiten des Fußes eingesetzt werden.

### Einstellen des Parallelanschlags

- ◆ Lösen Sie den Knopf (5).
- ◆ Stellen Sie die gewünschte Schnittbreite mit Hilfe der Skala des Parallelanschlags ein (Verwendung der Schnittlinienanzeige (20) als 0-Referenz).

- ◆ Ziehen Sie den Knopf fest (5).

### Hinweise für optimale Arbeitsergebnisse

- ◆ Nur scharfe Sägeblätter der richtigen Art und Größe verwenden (Abb. L)
- ◆ Sägeblätter aus gehärtetem Stahl (17) zum Schneiden von Holz, Aluminium, Kunststoff und alle Arten von Schichtholz verwenden
- ◆ Die Diamantsäge (16) zum Schneiden von Keramik und Fliesen verwenden
- ◆ Hartmetall-Sägeblätter (18) nur für Holz und Kunststoff verwenden

### Schneiden großer Platten (Abb. M)

- ◆ Die Platte nahe der Schnittlinie entweder am Boden, Tisch oder der Werkbank abstützen.

**Warnung!** Die Schnitttiefe so einstellen, dass Sie durch die Platte schneiden und nicht durch die Stütze.

- ◆ Wenn der Parallelanschlag die gewünschte Schnittbreite nicht ermöglicht, eine gerades Stück Holz als Führung an das Werkstück klammern oder nageln und die rechte Seite des Fußes gegen diese Führung setzen.

### Splitterfreies Schneiden

- ◆ Immer die gute Seite des Werkstücks nach unten legen - dazu ein gerades Stück Holz mit 2 Klammern am Werkstück befestigen.

### Schneiden besonders harter oder abrasiver Materialien

#### Weichblech

- ◆ Setzen Sie die Tiefenverstellung immer mindestens 1 mm tiefer als die Materialstärke ein, damit das Sägeblatt sich über die Oberfläche bewegen kann. Es sollte Schrottmaterial unter die Arbeitsfläche gelegt werden.
- ◆ Entfernen Sie Grate und Rost, da diese den Vorschub über das Material behindern.
- ◆ Eine dicke Schicht Bienenwachs (Möbelpolitur) auf der Grundplatte des Werkzeugs erleichtert das Schneiden von Metall.
- ◆ Nur geeignet zum Schneiden von Messing, Kupfer, Blei oder Aluminium.
- ◆ Nach jeweils 2 Minuten Schneiden in Metall sollte eine Pause von mindestens 3 Minuten eingehalten werden.

### Keramische Fliesen und Platten, Schiefer usw.

- ◆ Verwenden Sie nur ein Sägeblatt, das speziell für diesen Zweck entwickelt wurde.

- ◆ Verwenden Sie immer einen geeigneten Staubsauger oder eine Staubabsaugvorrichtung, da Staub für den Bediener gefährlich sein und die richtige Funktion der Schutzvorrichtung verhindern kann.

## Gipskarton:

- ◆ Der Eintauchsäge wird nur für gelegentliche Schnitte in Gipskarton empfohlen und sollte immer mit einem geeigneten Staubsauger oder einer Staubabsaugvorrichtung verwendet werden. Staub kann die richtige Funktion der Schutzvorrichtung verhindern.
- ◆ Herkömmliche Werkzeuge wie Lochsagen oder Messer ergeben im Allgemeinen hervorragende Ergebnisse, obwohl auch eine Eintauchsäge verwendet werden kann, wenn ein besonders sauberer, staubfreier Schnitt erforderlich ist, oder wenn die Gefahr besteht, auf Rohre oder Kabel zu treffen.

## Wartung

Ihr Stanley Fat Max Gerät (mit und ohne Netzkabel) wurde im Hinblick auf eine lange Lebensdauer und einen möglichst geringen Wartungsaufwand entwickelt. Ein kontinuierlicher, zufriedenstellender Betrieb hängt von der richtigen Pflege des Gerätes und seiner regelmäßigen Reinigung ab.

**Warnung!** Vor dem Ausführen jeglicher Wartungsarbeiten an Geräten mit und ohne Netzkabel:

- ◆ Schalten Sie das Gerät aus, und ziehen Sie den Netzstecker.
- ◆ Wenn das Gerät über einen separaten Batteriepack oder Akku verfügt, schalten Sie das Gerät ab, und entnehmen Sie die Batterien aus dem Gerät.
- ◆ Wenn der Akku integriert ist, entladen Sie diesen vor dem Abschalten vollständig.
- ◆ Reinigen Sie regelmäßig die Lüftungsschlitze des Gerätes und des Ladegeräts mit einer weichen Bürste oder einem trockenen Tuch.
- ◆ Reinigen Sie das Motorgehäuse regelmäßig mit einem feuchten Tuch.  
Verwenden Sie keine scheuernden Reinigungsmittel oder Reinigungsmittel auf Lösungsmittelbasis.

**Warnung!** Wenn während des normalen Betriebs eins der folgenden Ereignisse auftritt, muss sofort die Stromversorgung abgeschaltet werden und das Werkzeug muss von einer qualifizierten Person sorgfältig inspiziert und eventuell repariert werden:

- ◆ Rotierende Teile bleiben stecken oder die Geschwindigkeit wird ungewöhnlich niedrig.
- ◆ Das Werkzeug vibriert stark und macht ungewöhnliche Geräusche.
- ◆ Das Motorgehäuse wird ungewöhnlich heiß.
- ◆ Starke Funkenbildung rund um den Motorbereich.

## Austauschen des Netzsteckers (nur Großbritannien und Irland)

Wenn ein neuer Netzstecker angebracht werden muss:

- ◆ Entsorgen Sie den alten Stecker auf sachgerechte Weise.
- ◆ Verbinden Sie die braune Leitung mit dem spannungsführenden Anschluss des neuen Steckers.
- ◆ Verbinden Sie die blaue Leitung mit dem neutralen Anschluss.

**Warnung!** Stellen Sie keine Verbindung mit dem Erdungsanschluss her. Befolgen Sie die Montageanweisungen, die mit hochwertigen Steckern mitgeliefert werden. Empfohlene Sicherung: 5 A.

## Umweltschutz



Getrennte Entsorgung. Produkte und Batterien, die mit diesem Symbol gekennzeichnet sind, dürfen nicht im normalen Hausmüll entsorgt werden.

Produkte und Batterien enthalten Materialien, die zurückgewonnen oder recycelt werden können und die Nachfrage nach Rohstoffen reduzieren.

Bitte recyceln Sie Elektroprodukte und Batterien gemäß den lokalen Bestimmungen. Weitere Informationen finden Sie auf [www.2helpU.com](http://www.2helpU.com)

## Technische Daten

FME380		
Spannung	$V_{AC}$	230
Leerlaufdrehzahl	$\text{min}^{-1}$	4500
Messergröße	mm	89
Max. Schnitttiefe (Weichholz)	mm	28,5
Max. Schnitttiefe (Fliesen)	mm	8
Max. Schnitttiefe (Aluminium)	mm	3

### Schalldruckpegel gemäß EN 60745:

Betrieb als Handkreissäge: Schalldruck ( $L_p$ ) 90 dB(A), Unsicherheitsfaktor (K) 3 dB(A)

Schalleistung ( $L_W$ ) 101 dB(A), Unsicherheitsfaktor (K) 3 dB(A)

Betrieb als Gehrungssäge: ( $L_p$ ) 97 dB(A), Unsicherheitsfaktor (K) 3  $\text{m/s}^2$

Schalleistung ( $L_W$ ) 108 dB(A), Unsicherheitsfaktor (K) 3 dB(A)

### Gesamtvibration (Triax-Vektorsumme) gemäß EN 60745:

Holzschneiden ( $a_{h,v}$ ) 2,4  $\text{m/s}^2$ , Unsicherheitsfaktor (K) 1,5  $\text{m/s}^2$

Schneiden von Metallblech ( $a_{h,M}$ ) 5,5  $\text{m/s}^2$  Unsicherheitsfaktor (K) 1,5  $\text{m/s}^2$

Schneiden von Betonplatten ( $a_{h,c}$ ) 5,5  $\text{m/s}^2$ , Unsicherheitsfaktor (K) 1,5  $\text{m/s}^2$

## EU-Konformitätserklärung MASCHINENRICHTLINIE



FME380 Kompakte Multimaterialsäge

Stanley Europe erklärt, dass diese unter "Technische Daten" beschriebenen Geräte übereinstimmen mit: 2006/42/EC, EN62841-1:2015, EN 62841-2-5:2014

Diese Produkte entsprechen außerdem der Richtlinie 2014/30/EU und 2011/65/EU. Weitere Informationen erhalten Sie von Stanley Europe unter der folgenden Adresse. Diese befindet sich auch auf der Rückseite dieser Anleitung.

Der Unterzeichnete ist verantwortlich für die Zusammenstellung der technischen Daten und gibt diese Erklärung im Namen von Stanley Europe ab.

R. Laverick  
Engineering Manager  
Stanley Europe, Egide Walschaertsstraat 14-18,  
2800 Mechelen, Belgien  
23.08.2016

### Garantie

Stanley Europe vertraut auf die Qualität der eigenen Geräte und bietet dem Käufer eine außergewöhnliche Garantie von 12 Monaten ab Kaufdatum. Diese Garantie versteht sich unbeschadet der gesetzlichen Gewährleistungsansprüche und schränkt diese keinesfalls ein. Diese Garantie gilt innerhalb der Staatsgebiete der Mitgliedstaaten der Europäischen Union und der Europäischen Freihandelszone.

Zur Inanspruchnahme dieser Garantie muss sie den allgemeinen Geschäftsbedingungen von Stanley Europe entsprechen und dem Verkäufer bzw. der Vertragswerkstatt ist ein Kaufnachweis vorzulegen. Die Bedingungen für die 1-jährige Garantie von Stanley Europe und den Standort Ihrer nächstgelegenen Vertragswerkstatt finden Sie im Internet unter [www.2helpU.com](http://www.2helpU.com) oder indem Sie sich an die lokale Stanley FatMax-Niederlassung wenden, deren Adresse Sie in dieser Anleitung finden.

Ihr neues Stanley Fat Max-Produkt können Sie auf unserer Website unter [www.stanley.eu/3](http://www.stanley.eu/3) registrieren. Dort erhalten Sie auch Informationen über neue Produkte und Sonderangebote.

(Traduction des instructions initiales)

FRANÇAIS

### Utilisation prévue

Votre scie compacte universelle Stanley Fat Max FME380 est conçue pour le sciage longitudinal et transversal du bois, de l'aggloméré, du contre-plaqué, de l'aluminium, du carrelage, de la pierre, du plastique et des matériaux de construction légers, maintenus en position fixe. Elle n'est destinée qu'aux coupes courtes. Cet outil a été conçu pour les professionnels et les particuliers.

### Consignes de sécurité

#### Consignes de sécurité générales concernant les outils électriques



**Avertissement !** Lisez tous les avertissements et toutes les consignes de sécurité. Le non-respect des avertissements et des instructions listés ci-dessous peut entraîner des chocs électriques, des incendies et/ou de graves blessures.

**Conservez tous les avertissements et toutes les instructions afin de pouvoir vous y référer dans le futur.** Le terme "outil électrique" mentionné dans tous les avertissements listés ci-dessous fait référence à vos outils électriques fonctionnant sur secteur (avec câble) ou sur pile ou batterie (sans fil).

#### 1. Sécurité de la zone de travail

- a. **Maintenez la zone de travail propre et bien éclairée.**  
Les zones sombres ou encombrées sont propices aux accidents.
- b. **N'utilisez pas d'outils électriques dans un environnement présentant des risques d'explosion ou en présence de liquides, gaz ou poussières inflammables.** Les outils électriques créent des étincelles qui peuvent enflammer les poussières et les fumées.
- c. **Maintenez les enfants et autres personnes éloignés lorsque les outils électriques sont en marche.** Toute distraction peut vous faire perdre le contrôle de l'outil.

#### 2. Sécurité électrique

- a. **La prise des outils électriques doit correspondre à la prise de courant murale.**

- Ne modifiez jamais la prise d'aucune sorte. N'utilisez aucun adaptateur avec des outils électriques reliés à la terre.** L'utilisation de prises d'origine et de prises murales appropriées permet de réduire le risque de choc électrique.
- b. **Évitez tout contact physique avec des surfaces reliées à la terre comme des tuyaux, des radiateurs, des fours et des réfrigérateurs par exemple.** Le risque de choc électrique augmente lorsque votre corps est relié à la terre.
  - c. **N'exposez pas les outils électriques à la pluie, ni à l'humidité.** Le risque de choc électrique augmente si de l'eau pénètre dans un outil électrique.
  - d. **Ne tirez pas sur le cordon d'alimentation. N'utilisez jamais le cordon pour transporter, tirer ou débrancher l'outil électrique. Maintenez le cordon éloigné de la chaleur, des substances grasses, des bords tranchants ou des pièces mobiles.** Les cordons endommagés ou emmêlés augmentent le risque de choc électrique.
  - e. **Si vous utilisez un outil électrique à l'extérieur, utilisez une rallonge homologuée pour les travaux extérieurs.** L'utilisation d'une rallonge électrique homologuée pour les travaux en extérieur réduit le risque de choc électrique.
  - f. **Si l'utilisation d'un outil électrique dans un endroit humide est inévitable, utilisez une alimentation électrique protégée par un disjoncteur différentiel.** L'utilisation d'un disjoncteur différentiel réduit le risque de choc électrique.
3. **Sécurité des personnes**
    - a. **Restez vigilant, surveillez ce que vous faites et faites preuve de bon sens lorsque vous utilisez un outil électrique. N'utilisez pas d'outils électriques si vous êtes fatigué ou sous l'influence de drogue, d'alcool ou de médicaments.** Tout moment d'inattention pendant l'utilisation d'un outil électrique peut engendrer de graves blessures.
    - b. **Portez des équipements de protection individuelle. Portez toujours une protection oculaire.** Les équipements de protection comme les masques à poussière, les chaussures de sécurité antidérapantes, les casques ou les protections auditives utilisés à bon escient réduisent le risque de blessures.
    - c. **Empêchez tout démarrage par inadvertance. Assurez-vous que l'outil est en position OFF (Arrêt) avant de le raccorder à l'alimentation électrique et/ou au bloc-batterie ou avant de le ramasser ou de le transporter.** Le fait de transporter les outils électriques le doigt sur l'interrupteur ou d'alimenter les outils électriques dont l'interrupteur est déjà en position de marche augmente les accidents.
    - d. **Retirez toutes les clés ou pinces de réglage avant de mettre l'outil en marche.** Une clé ou une pince restée fixée sur une pièce rotative de l'outil électrique peut engendrer des blessures.
    - e. **Ne présumez pas de vos forces. Gardez les pieds bien ancrés au sol et conservez votre équilibre en permanence.** Cela permet de mieux maîtriser l'outil électrique en cas de situations imprévues.
    - f. **Portez des vêtements appropriés. Ne portez aucun vêtement ample ou bijou. Gardez vos cheveux, vos vêtements et vos gants éloignés des pièces mobiles.** Les vêtements amples, les bijoux ou les cheveux longs peuvent être happés par les pièces mobiles.
    - g. **Si des dispositifs pour l'extraction des poussières ou des installations pour la récupération sont présents, assurez-vous qu'ils sont correctement raccordés et utilisés.** L'utilisation de dispositifs récupérateurs de poussières réduit les risques liés aux poussières.
  4. **Utilisation et entretien des outils électriques**
    - a. **Ne forcez pas sur l'outil électrique. Utilisez le bon outil adapté pour votre intervention.** Un outil adapté fonctionne mieux, de façon plus sûre et à la cadence pour laquelle il a été conçu.
    - b. **N'utilisez pas l'outil électrique si son interrupteur Marche/Arrêt est défectueux.** Tout outil électrique qui ne peut plus être commandé par son interrupteur est dangereux et doit être réparé.
    - c. **Débranchez la prise du secteur et/ou le bloc-batterie de l'outil électrique avant d'effectuer tout réglage, de changer un accessoire ou de ranger l'outil électrique.** Ces mesures de sécurité préventives réduisent le risque de démarrage accidentel de l'outil électrique.
    - d. **Rangez les outils électriques non utilisés hors de portée des enfants et ne laissez aucune personne ne connaissant pas ces outils ou leurs instructions d'utilisation les faire fonctionner.** Les outils électriques peuvent être dangereux entre des mains inexpérimentées.
    - e. **Entretenez vos outils électriques. Vérifiez que les pièces mobiles sont alignées correctement et qu'elles ne sont pas coincées. Vérifiez qu'il n'y a pas de pièces cassées ou toute autre condition qui pourrait nuire au bon fonctionnement de l'outil. En cas de dommage, faites réparer l'outil électrique avant utilisation.** De nombreux accidents sont provoqués par des outils électriques mal entretenus.
    - f. **Maintenez les organes de coupe affûtés et propres.** Des organes de coupe bien entretenus et affûtés sont moins susceptibles de rester coincés et sont plus faciles à contrôler.

- g. **Utilisez les outils électriques, les accessoires et les embouts d'outil conformément à ces instructions, en tenant compte des conditions de travail, ainsi que du travail à effectuer.** L'utilisation d'un outil électrique à des fins autres que celles pour lesquelles il a été prévu engendrer des situations dangereuses.

## 5. Réparation


- a. **Faites réparer votre outil électrique par une personne qualifiée, n'utilisant que des pièces de rechange d'origine.** Cela permet de garantir la sûreté de l'outil électrique.

## Consignes de sécurité concernant toutes les scies

### Procédures de coupe



**Danger : Tenez vos mains à distance de la zone de sciage et de la lame. Tenez la poignée supplémentaire ou le carter du moteur de l'autre main.** Si vous tenez la scie à deux mains, vous ne vous couperez pas avec la lame

- ◆ **Ne passez pas les mains sous la pièce à scier.** Le protège-lame ne vous protégera pas de la lame à ce niveau là.
  - ◆ **Réglez la profondeur de coupe selon l'épaisseur de la pièce.** Moins d'une dent entière de la lame doit apparaître sous la pièce à scier.
  - ◆ **Ne tenez jamais la pièce à scier dans vos mains ou entre vos jambes. Fixez la pièce à scier sur un support stable.** Il est important que la pièce soit correctement soutenue afin de minimiser les risques de blessures, de coincement de la lame ou de perte de contrôle.
  - ◆ **Tenez l'outil électrique par les surfaces de préhension isolées prévues à cet effet pendant lors de toute utilisation où l'outil de coupe pourrait entrer en contact avec des fils électriques cachés ou son propre cordon.** Tout contact de l'accessoire de coupe avec un fil sous tension peut mettre les parties métalliques exposées de l'outil sous tension et provoquer un choc électrique à l'utilisateur
  - ◆ **Pour les coupes longitudinales, utilisez toujours une garde longitudinale ou une règle-guide.** Ceci afin d'obtenir une coupe parfaite et d'empêcher au maximum la lame de se coincer.
  - ◆ **Utilisez toujours des lames de taille et de forme adaptées à l'alésage du mandrin (par ex. losange ou rond).** Les lames inadaptées aux éléments de fixation sur la scie tournent de façon excentrique et provoquent des pertes de contrôle.
  - ◆ **N'utilisez jamais de rondelles ou de boulons endommagés voire inadaptés à la lame.**
- Les rondelles et boulons de lame ont été spécialement conçus pour votre scie, pour des performances et une sécurité de fonctionnement optimales.
-  **Avertissement !** Tout contact ou inhalation de poussières émises pendant le sciage peut nuire à la santé de l'opérateur et des personnes à proximité. Portez un masque anti-poussières spécialement conçu pour vous protéger des poussières et des fumées et veillez à ce que les personnes se trouvant à l'intérieur de la zone de travail ou y pénétrant soient également protégées.
- ◆ Enlevez soigneusement toute la poussière après le sciage.
  - ◆ Ne laissez pas les enfants ou les femmes enceintes entrer dans la zone de travail.
  - ◆ Ne mangez pas, ne buvez pas ou ne fumez pas dans la zone de travail.
  - ◆ Jetez toutes les particules de poussière et autres débris de façon sûre.
  - ◆ L'usage prévu est décrit dans ce manuel d'utilisation. L'utilisation d'un accessoire ou d'une fixation ou l'utilisation de cet outil à d'autres fins que celles recommandées dans ce manuel d'utilisation présentent un risque de blessures et/ou de dommages matériels.
  - ◆ L'accessoire reste en mouvement une fois l'interrupteur relâché. Après avoir arrêté l'outil, attendez que l'accessoire se stabilise complètement avant de poser l'outil.
  - ◆ **Gardez les lames bien affûtées.** Les lames émoussées ou endommagées peuvent faire dévier ou bloquer la scie pendant le fonctionnement. Utilisez toujours le type de lame de scie approprié pour la matière de la pièce à découper.
  - ◆ Avant de couper un tuyau ou une conduite, assurez-vous qu'ils ne contiennent ni eau, ni fil électrique, etc.
  - ◆ Ne touchez pas la pièce sciée ou la lame immédiatement après avoir utilisé l'outil. Elles peuvent être très chaudes.
  - ◆ Prenez garde aux dangers cachés. Avant de découper des murs, des planchers ou des plafonds, vérifiez l'emplacement des câbles et tuyaux.
  - ◆ **Évitez de scier des clous, inspectez la pièce à scier pour contrôler qu'elle ne contient pas de clous et retirez-les au préalable.**
  - ◆ Ne portez pas l'outil quand il est en marche.
  - ◆ Assurez-vous que le levier de verrouillage de profondeur est bien serré et sécurisé avant de procéder au sciage.
  - ◆ Si la lame se coincé ou si la coupe est interrompue pour une raison quelconque, relâchez immédiatement la gâchette et maintenez la scie fermement dans la matière jusqu'à ce que la lame soit complètement arrêtée.



N'essayez jamais de sortir la scie de la pièce ou de la tirer en arrière tant que la lame de scie n'est pas immobile, il y a sinon risque de rebond.

## Consignes de sécurité supplémentaires pour toutes les scies

### Causes des rebonds et avertissements associés

- ◆ Le rebond est une réaction soudaine d'une lame de scie restée pincée, coincée ou désalignée qui provoque le soulèvement incontrôlable de la scie hors de la pièce à scier et dans la direction de l'utilisateur ;
- ◆ Si la lame reste pincée ou coincée dans le tait de scie, elle se bloque et la force du moteur ramène l'outil rapidement vers l'utilisateur ;
- ◆ Si la lame de scie se tord ou se désaligne dans la coupe, les dents du bord arrière peuvent creuser la surface du bois et provoquer la sortie de la lame hors du trait de coupe et son rebond vers l'arrière, vers l'utilisateur.

Les rebonds proviennent d'une utilisation incorrecte de l'outil ou de conditions ou procédures d'exécution incorrectes, et ils peuvent être évités en prenant les précautions adéquates énoncées ci-dessous.

- ◆ **Tenez fermement la scie à deux mains et placez vos bras de manière à pouvoir résister à la force d'un rebond. Positionnez toujours votre corps d'un côté ou de l'autre de la lame de scie mais jamais dans l'alignement de la lame.** En cas de rebond, la scie risque d'être propulsée vers l'arrière, mais les forces de rebond peuvent être contrôlées par l'utilisateur à condition de prendre les précautions appropriées.
- ◆ **Si la lame se coince ou si la coupe est interrompue pour une raison quelconque, relâchez la gâchette et maintenez la scie immobile dans la matière jusqu'à ce que la lame soit complètement arrêtée. N'essayez jamais de sortir la scie de la pièce ou de la tirer en arrière tant que la lame de scie n'est pas immobile ou qu'un rebond reste possible.** Effectuez des contrôles et prenez les mesures correctives adéquates afin de supprimer la cause du coincement de la lame.
- ◆ **Au moment de redémarrer une scie coincée dans une pièce, centrez la lame de scie dans le trait de scie et vérifiez que ses dents ne sont pas engagées dans la matière.** Si la lame se coince, il peut se relever ou rebondir de la pièce à scier au moment du redémarrage de la scie.
- ◆ **Soutenez les grands panneaux afin de minimiser le risque de pincement et de rebond de la lame.** Les grands panneaux ont tendance à s'affaisser sous leur propre poids.

Les panneaux doivent être soutenus des deux côtés par des supports, près de la ligne de coupe et près des bords des panneaux.

- ◆ **N'utilisez pas de lame émoussée ou endommagée.** Les lames émoussées ou mal installées réduisent le trait de scie entraînant un frottement excessif, la torsion de la lame et un rebond.
- ◆ **Les leviers de verrouillage des réglages de la profondeur et de biseau doivent être bien serrés et verrouillés avant de scier.** Si les réglages de la lame sautent pendant le sciage, la lame peut se coincer et provoquer un rebond.
- ◆ **Prenez toutes les précautions nécessaires lorsque vous sciez dans un mur existant ou dans des zones à visibilité nulle.** La lame saillante peut couper des objets pouvant provoquer un rebond.

### Fonctionnement du protège-lame inférieur

- ◆ **Vérifiez la fermeture du protège-lame avant chaque utilisation. Ne faites pas fonctionner la scie si le protège-lame ne bouge pas librement et ne recouvre pas la lame instantanément. N'attachez ou ne fixez jamais le protège-lame pour que la lame reste à nu.** En cas de chute accidentelle, le protège-lame peut se déformer. Vérifiez que le protège-lame se déplace librement et qu'il ne touche pas la lame ou d'autres pièces, à tous les angles et profondeurs de coupe.
- ◆ **Vérifiez le fonctionnement du ressort du protège-lame. Si le protège-lame et le ressort ne fonctionnent pas correctement, ils doivent être réparés avant utilisation.** Des pièces endommagées, restes de colle ou accumulations de débris peuvent ralentir le fonctionnement du protège-lame inférieur.
- ◆ **Le protège-lame inférieur peut être rétracté manuellement pour effectuer des coupes spéciales uniquement, de type "coupes plongeantes" et "coupes combinées".** Soulevez le protège-lame inférieur en rétractant la poignée et relâchez-le dès que la lame pénètre dans la matière. Pour toutes les autres opérations de sciage, le protège-lame inférieur doit fonctionner automatiquement.
- ◆ **Assurez-vous toujours que le protège-lame inférieur recouvre la lame avant de poser la scie sur un établi ou au sol.** Une lame sans protection et encore en mouvement ramène la scie en arrière, sciant tout sur son passage. Tenez compte du temps nécessaire à la lame pour s'arrêter une fois l'interrupteur relâché.

### Lames de scie

- ◆ N'utilisez pas de lames de diamètres plus grands ou plus petits que ceux recommandés.

Référez-vous aux données techniques pour connaître les caractéristiques appropriées des lames. N'utilisez que les lames mentionnées dans ce manuel, conformes à la norme EN 847-1.

- ◆ **Avertissement !** N'utilisez jamais de disques abrasifs.

## Sécurité des personnes

- ◆ Cet outil peut être utilisé par des enfants âgés de 8 ans ou plus et par des personnes aux capacités physiques, mentales ou sensorielles déficientes ou qui manquent d'expérience ou de connaissance s'ils sont supervisés ou ont été formés à l'utilisation sûre de l'appareil et qu'ils sont conscients des dangers potentiels.
- ◆ Ne laissez pas les enfants jouer avec l'appareil. Les enfants ne peuvent en aucun cas assurer le nettoyage et l'entretien sans surveillance.

## Risques résiduels

Certains risques résiduels autres que ceux mentionnés dans les avertissements sur la sécurité peuvent survenir en utilisant l'appareil. Ces risques peuvent être provoqués par une utilisation incorrecte, prolongée, etc.

Malgré l'application des normes de sécurité pertinentes et la présence de dispositifs de sécurité, certains risques résiduels ne peuvent pas être évités. Ils comprennent :

- ◆ Les blessures provoquées par le contact avec les pièces rotatives/mobiles.
- ◆ Les blessures provoquées pendant le remplacement de pièces, de lames ou d'accessoires.
- ◆ Les blessures dues à l'utilisation prolongée d'un outil. Lorsque l'outil est utilisé pendant de longues périodes, assurez-vous de faire des pauses régulières.
- ◆ La diminution de l'acuité auditive.
- ◆ Les risques pour la santé provoqués par l'inhalation des poussières générées pendant l'utilisation de votre outil (exemple : travail avec du bois, surtout le chêne, le hêtre et les panneaux en MDF).

## Vibrations

La valeur des émissions de vibrations déclarée dans les caractéristiques techniques et la déclaration de conformité a été mesurée conformément à la méthode de test standard de la norme EN 60745 et peut être utilisée pour comparer un outil à un autre. La valeur des émissions de vibrations déclarée peut aussi être utilisée pour une évaluation préliminaire de l'exposition.

**Avertissement !** En fonction de la manière dont l'outil est utilisé, la valeur des émissions de vibrations réelles pendant l'utilisation de l'outil peut différer de la valeur déclarée. Le niveau des vibrations peut dépasser le niveau déclaré.

Quand l'exposition aux vibrations est évaluée afin de déterminer les mesures de sécurité requises par la norme 2002/44/CE pour protéger les personnes utilisant régulièrement des outils électriques, cette estimation doit tenir compte des conditions réelles d'utilisation et de la façon dont l'outil est utilisé. Il faut également tenir compte de toutes les composantes du cycle de fonctionnement comme la durée pendant laquelle l'outil est arrêté et quand il fonctionne au ralenti, ainsi que la durée du déclenchement.

## Étiquettes sur l'outil

Les pictogrammes suivants ainsi que le code date sont apposés sur l'outil :



**Avertissement !** Afin de réduire le risque de blessures, l'utilisateur doit lire le manuel d'utilisation.



Portez des lunettes de sécurité ou de protection.



Portez une protection auditive.



Portez un masque anti-poussière.



Cet appareil ne doit pas être utilisé par des enfants de moins de 16 ans.



Zone interdite aux mains - Éloignez les bras et les doigts des lames de scie en mouvement.



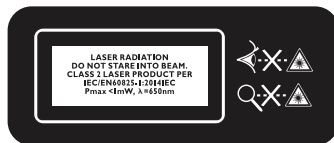
Portez des gants pour manipuler les lames.



**Avertissement !** Rayonnement laser.



Ne regardez pas directement le faisceau laser avec des instruments optiques.



## Sécurité électrique



Cet outil est doublement isolé et ne nécessite donc aucun fil de terre. Vérifiez toujours que l'alimentation électrique correspond à la tension indiquée sur la plaque signalétique.

- ◆ Si le câble d'alimentation est endommagé, il doit être remplacé par le fabricant ou par un centre d'assistance agréé Stanley Fat Max afin d'éviter les risques éventuels.

## Caractéristiques

Cet outil dispose de tout ou partie des caractéristiques suivantes.

1. Interrupteur à gâchette Marche/Arrêt
2. Graduation de profondeur de coupe
3. Fixation pour le réglage de la profondeur de coupe
4. Protège-lame inférieur
5. Bouton de réglage du guide parallèle
6. Guide parallèle
7. Semelle
8. Bride de fixation
9. Boulon de lame
10. Bouton de verrouillage de la gâchette et de libération de la semelle
11. Fentes d'aération
12. Visée laser
13. Raccord pour extracteur de poussières
14. Bouton de verrouillage de l'axe
15. Clé hexagonale
16. Lame de scie diamant
17. Lame de scie en acier trempé
18. Lame de scie TCT
19. Tuyau d'extraction des poussières
20. Indicateur de ligne de coupe

## Assemblage

Vérifier que l'outil et ses pièces ou accessoires n'ont pas été endommagés lors du transport. Prenez le temps de lire ce manuel attentivement et d'en comprendre tout son contenu avant assemblage et utilisation

## Utilisation

**Avertissement !** Laissez l'outil fonctionner à son propre rythme. Ne le poussez pas au-delà de sa limite.

### Mise en marche et arrêt de l'appareil (fig. A)

**Remarque :** Avant d'enclencher l'interrupteur Marche/Arrêt, contrôlez la bonne installation et la rotation homogène de la lame de scie, ainsi que le bon serrage de la vis de blocage de la lame.

- ◆ Enfoncez le bouton de verrouillage de la gâchette et de libération de la semelle (10) pour libérer la gâchette.
- ◆ Allumez l'outil en tirant sur la gâchette (1).
- ◆ Éteignez l'outil en relâchant la gâchette (1).

### Réglage de la profondeur de coupe (0-28,5 mm) (fig. B)

- ◆ Desserrez la fixation (3).

- ◆ Réglez la profondeur de coupe à l'aide de la graduation (2).
- ◆ Serrez la fixation (3)
- ◆ Pour une qualité de coupe optimale, la lame de scie ne doit pas dépasser de plus de 3 mm sous la pièce à scier
- ◆ Gardez à l'esprit que la profondeur de coupe réelle du disque diamant diffère d'environ 2 mm par rapport à la profondeur de coupe indiquée sur la graduation (2).

**Remarque :** Faites toujours des coupes tests pour vérifier la ligne de coupe réelle.

### Aspiration des poussières (fig. C)

- ◆ Branchez le tuyau d'aspiration (19) dans le raccord (13) et un aspirateur comme illustré.

**Avertissement !** Ne laissez jamais le tuyau d'aspiration interférer avec le protège-lame inférieur ou l'opération de sciage.

**Avertissement !** N'utilisez pas d'aspirateur lorsque vous coupez du métal.

### Changement de lame de scie (fig. D - G)

**Avertissement !** Avant de changer les lames ou de réaliser des opérations de maintenance, assurez-vous que l'outil est éteint et débranché de la source d'alimentation électrique.

- ◆ Réglez la profondeur de coupe au maximum (fig. D).
- ◆ Utilisez la clé à 6 pans (15) fournie.
- ◆ Maintenez enfoncé le bouton de verrouillage de l'axe (14) (Fig. E).  
Retirer le boulon de lame (9) en tournant la clé à 6 pans (15)  
DANS LE SENS DES AIGUILLES D'UNE MONTRE (= même sens que celui indiqué sur le protège-lame) (Fig. F).
- ◆ Relâchez le bouton de verrouillage de l'axe (14).
- ◆ Retirez la bride (8).
- ◆ Enfoncez le bouton (10) avec le pouce
- ◆ Soulevez la semelle (7) et retirez la lame de scie.
- ◆ Insérez une lame neuve en vous assurant qu'elle tourne dans le même sens que la flèche imprimée sur le protège-lame.
- ◆ Remontez la bride (8).
- ◆ Serrez fermement le boulon de lame (9) en tournant la clé à 6 pans (15)  
DANS LE SENS INVERSE DES AIGUILLES D'UNE MONTRE tout en enfonçant le bouton de verrouillage de l'axe (14).
- ◆ Relâchez le bouton de verrouillage de l'axe (14).

### Fonctionnement de l'outil (fig. H - M)

- ◆ Réglez la profondeur de coupe.

- ◆ Branchez la prise à la source d'alimentation électrique.
- ◆ Enfoncez le bouton (10) avec le pouce.
- ◆ Placez l'outil, extrémité avant de la semelle à plat sur la pièce à scier.
- ◆ Inclinez l'outil vers l'avant, en alignant l'indicateur de ligne de coupe (20) avec la ligne de coupe marquée sur la pièce à scier (fig. H).
- ◆ Assurez-vous que les dents de la scie ne sont pas engagées dans la matière.
- ◆ Allumez l'outil.
- ◆ L'outil doit tourner à plain régime avant que la lame ne pénètre dans la pièce à scier.
- ◆ Ne forcez pas sur l'outil (appliquez une pression légère et continue afin d'éviter la surchauffe des pointes de la lame et, si vous sciez du plastique, pour ne pas le faire fondre).
- ◆ Pour l'exécution, tenez toujours l'outil par la/les zone(s) de préhensions isolée(s).
- ◆ Une fois la coupe terminée, éteignez l'outil et relâchant la gâchette (1).
- ◆ Assurez-vous que la lame est parfaitement arrêtée avant de soulever l'outil de la pièce.

### Fonction électronique. Fonctionnement du faisceau laser (Fig. I)

**Attention !** Lorsque vous ne l'utilisez pas, prenez soin d'éteindre le laser.

Ne regardez jamais directement vers le faisceau laser ; il pourrait endommager vos yeux.

RAYONNEMENT LASER : NE REGARDEZ PAS DIRECTEMENT VERS LE FAISCEAU ni AUCUNS PRODUITS LASER DE CLASSE II.

Avant de déplacer la ligne laser ou de procéder à des réglages d'entretien, assurez-vous de débrancher l'outil.

- ◆ Pour allumer le laser, basculez l'interrupteur (12a) à l'arrière du boîtier laser.

### Nettoyage de la lentille de la lumière laser

Si la lentille de la lumière laser se salit, ou si de la sciure s'y dépose au point que la ligne laser ne soit plus très visible, débranchez la scie et nettoyez la lentille soigneusement à l'aide d'un chiffon doux humide. N'utilisez pas de solvants ou de nettoyeurs à base de pétrole sur la lentille.

**Remarque :** Si la ligne laser s'assombrit et devient presque ou totalement invisible à cause des rayons directs du soleil sur une fenêtre proche de votre zone de travail, changez d'endroit et optez pour une zone non exposée aux rayons directs du soleil.

**Remarque :** Tous les réglages pour le fonctionnement de cette machine ont été effectués en usine.

**Attention :** L'utilisation de commandes ou de réglages ou l'exécution de procédures différentes de celles mentionnées dans ce document peuvent représenter un risque d'exposition dangereuse aux radiations. L'utilisation d'instruments optiques avec ce produit augmente les risques pour vos yeux. Ne tentez pas de réparer ou de démonter le laser. Si une personne non qualifiée tente de réparer ce produit laser, de graves blessures peuvent en résulter.

Toutes les réparations nécessaires sur ce produit laser doivent être effectuées par le personnel d'un centre d'assistance agréé.

### Coupe plongeante (fig. J)

- ◆ Enfoncez le bouton (10).
- ◆ Allumez l'outil.

**Avertissement !** L'outil doit tourner à plein régime avant que la lame

ne pénètre dans la pièce à scier.

- ◆ Inclinez l'outil vers l'avant en alignant l'indicateur de ligne de coupe (20) avec la ligne de coupe marquée sur la pièce à scier. Déplacez progressivement l'outil vers l'avant.

**Avertissement !** Ne tirez jamais l'outil en arrière.

### Utilisation du guide parallèle (fig. K)

- ◆ Sert à réaliser des coupes précises le long du bord d'une pièce.
- ◆ Peut être insérer des deux côtés.

### Réglage du guide parallèle

- ◆ Desserrez le bouton (5)
- ◆ Réglez la largeur de coupe voulue à l'aide de la graduation du guide parallèle (utilisez l'indicateur de ligne de coupe (20) comme point de référence 0).
- ◆ Serrez le bouton (5).

### Conseils pour une utilisation optimale

- ◆ N'utilisez que des lames de scie aiguisées, du bon type et de la bonne taille (fig. L).
- ◆ Utilisez la lame de scie en acier trempé (17) pour scier du bois, de l'aluminium, du plastique et toutes les sortes de bois stratifié
- ◆ Utilisez la lame diamant (16) pour scier la céramique et le carrelage
- ◆ Utilisez la lame aux pointes en carbone (18) uniquement pour le bois et le plastique

### Découpe de grands panneaux (fig. M)

- ◆ Soutenez le panneau au niveau de la ligne de coupe, au sol, sur un plateau ou un établi.

**Avertissement !** Réglez la profondeur de coupe pour traverser le panneau et non le support.

- ◆ Si le guide parallèle ne permet pas la largeur de coupe voulue, fixez ou clouez un morceau de bois droit pour servir de guide sur la pièce à scier et utilisez le côté droit de la semelle contre ce guide.

## Scier sans faire d'éclats

- ◆ Placez toujours le bon côté de la pièce à scier en dessous - fixez un morceau de bois droit sur la pièce à scier à l'aide de 2 attaches.

## Coupe particulièrement difficiles ou sciage de matières abrasives

### Tôle métallique souple

- ◆ Réglez toujours la profondeur au moins 1 mm plus profond que l'épaisseur de la matière afin d'éviter que la lame ne morde sur la surface. Les débris métalliques sont inévitables sous la surface de la pièce sciée.
- ◆ Retirez les ébarbures et la rouille car elles entravent le déplacement à travers la matière.
- ◆ L'application de cire d'abeille (pour la protection des meubles) sur la plaque de base de l'outil facilite la coupe.
- ◆ Ne convient que pour la découpe de laiton, cuivre, plomb ou aluminium.
- ◆ Une phase de sciage de métal de 2 minutes doit toujours être suivie d'une pause de 3 minutes au moins.

### Céramique, carrelage, ardoise, etc

- ◆ N'utilisez qu'une lame spécifiquement conçue à cette fin.
- ◆ Utilisez un aspirateur ou un extracteur adapté à ce type de poussières qui peuvent être dangereuses pour l'utilisateur et empêcher le protège-lame de fonctionner correctement.

### Plaque de plâtre :

- ◆ La scie plongeante n'est recommandée que pour effectuée des découpes occasionnelles dans les plaques de plâtre et elle ne doit être utilisée qu'avec un aspirateur ou un extracteur adaptés à ce type de poussières. La poussière peut empêcher le bon fonctionnement du protège-lame.
- ◆ Les outils ordinaires comme les scies à guichet ou les cutters donnent généralement de bons résultats mais la scie plongeante peut être utilisée si une découpe particulièrement soignée et sans poussière est nécessaire ou s'il existe un risque de scier des canalisations ou des câbles.

## Maintenance

Votre appareil/outil sans fil/avec fil Stanley Fat Max a été conçu pour fonctionner pendant longtemps avec un minimum d'entretien.

Le fonctionnement continu et satisfaisant de l'outil dépend de son bon entretien et de son nettoyage régulier.

**Avertissement !** Avant toute intervention de maintenance sur des outils électriques avec ou sans fil :

- ◆ Arrêtez et débranchez l'appareil/outil.
- ◆ Ou, éteignez l'appareil/outil et retirez en la batterie si celui-ci est muni d'un bloc-batterie séparé.
- ◆ Ou déchargez complètement la batterie si elle est intégrée au système, puis éteignez l'appareil.
- ◆ Nettoyez régulièrement les fentes d'aération de votre appareil/outil/chargeur à l'aide d'une brosse souple ou d'un chiffon sec.
- ◆ Nettoyez régulièrement le bloc-moteur à l'aide d'un chiffon humide.  
N'utilisez pas de détergents abrasifs ou à base de solvants.

**Avertissement !** Si l'un des événements suivants se produit pendant une utilisation normale, coupez l'alimentation électrique immédiatement et faites complètement inspecter et réparer l'outil par une personne qualifiée :

- ◆ Les pièces rotatives restent coincées ou la vitesse chute de façon anormale.
- ◆ L'outil tremble anormalement en faisant un bruit incongru.
- ◆ Le bloc-moteur devient anormalement chaud.
- ◆ De grandes étincelles se forment autour du bloc-moteur

## Remplacement de la prise secteur (RU et Irlande uniquement)

Si une nouvelle prise d'alimentation doit être montée :

- ◆ Mettez au rebut la vieille prise.
- ◆ Branchez le fil brun dans la fiche sous tension de la nouvelle prise.
- ◆ Branchez le fil bleu à la fiche neutre.

**Avertissement !** Aucun branchement ne doit être fait à la fiche de terre. Suivez les instructions d'installation fournies avec les prises de bonne qualité. Fusible recommandé : 5 A.

## Protection de l'environnement



Tri sélectif. Les produits et batteries marqués de ce symbole ne doivent pas être jetés avec les déchets ménagers.

Les produits et batteries contiennent des matières qui peuvent être récupérées et recyclées afin de réduire la demande en matières premières.

Veillez recycler les produits électriques et les batteries conformément aux dispositions locales en vigueur. Plus d'informations sont disponibles sur le site [www.2helpU.com](http://www.2helpU.com)

## Données techniques

		FME380
Tension	$V_{CA}$	230
Vitesse à vide	$\text{min}^{-1}$	4500
Taille de lame	mm	89
Profondeur de coupe max (bois tendre)	mm	28,5
Profondeur de coupe max (carrelage)	mm	8
Profondeur de coupe max (aluminium)	mm	3

## Niveau de pression sonore selon la norme EN 60745 :

Fonction scie circulaire : Pression sonore ( $L_p$ ) 90 dB(A), incertitude (K) 3 dB(A)Puissance sonore ( $L_{Wp}$ ) 101 dB(A), incertitude (K) 3 dB(A)Fonction tronçonnage : ( $L_p$ ) 97 dB(A), incertitude (K) 3 m/s<sup>2</sup>Puissance sonore ( $L_{Wp}$ ) 108 dB(A), incertitude (K) 3 dB(A)

## Valeurs totales des vibrations (somme vectorielle triaxiale) selon la norme EN 60745 :

Coupe de bois ( $a_{hV}$ ) 2,4 m/s<sup>2</sup>, incertitude (K) 1,5 m/s<sup>2</sup>Coupe de métal ( $a_{hM}$ ) 5,5 m/s<sup>2</sup>, incertitude (K) 1,5 m/s<sup>2</sup>Coupe de dalle béton ( $a_{hB}$ ) 5,5 m/s<sup>2</sup>, incertitude (K) 1,5 m/s<sup>2</sup>Déclaration de conformité CE  
DIRECTIVES MACHINES

FME380 Scie compacte universelle

Stanley Europe déclare que les produits décrits dans les "Données techniques" sont conformes aux normes : 2006/42/CE, EN62841-1:2015, EN 62841-2-5:2014

Ces produits sont conformes aux normes 2014/30/UE et 2011/65/UE. Pour plus de détails, veuillez contacter Stanley Europe à l'adresse suivante ou reportez-vous au dos du manuel.

Le soussigné est responsable des données de la fiche technique et fait cette déclaration au nom de Stanley Europe.

R. Laverick

Responsable technique  
Stanley Europe, Egide Walschaertsstraat14-18,  
2800 Mechelen, Belgique  
23/08/2016

## Garantie

Stanley Fat Max est sûr de la qualité de ses produits et offre une garantie de 12 mois aux utilisateurs, à partir de la date d'achat. Cette garantie s'ajoute à vos droits légaux auxquels elle ne porte aucunement préjudice. Cette garantie est valable au sein des territoires des États membres de l'Union Européenne et au sein de la Zone européenne de libre-échange.

Pour prétendre à la garantie, la réclamation doit être en conformité avec les conditions générales de Stanley Europe et vous devez fournir une preuve d'achat au vendeur ou au réparateur agréé. Les conditions générales de la garantie de 1 an de Stanley Europe ainsi que l'adresse du réparateur agréé le plus proche sont disponibles sur le site Internet [www.2helpU.com](http://www.2helpU.com) ou en contactant votre agence Stanley FatMax locale à l'adresse indiquée dans ce manuel.

Accédez à notre site Internet [www.stanley.eu/3](http://www.stanley.eu/3) pour enregistrer votre nouveau produit Stanley Fat Max et être informé des nouveaux produits et des offres spéciales.

(Traduzione del testo originale)

ITALIANO

## Usò previsto

La tua segatrice multimateriale compatta Stanley Fat Max FME380 è stata sviluppata per la segatura longitudinale e trasversale di legno, truciolo, compensato, alluminio, piastrelle, pietra, plastica e materiali costruttivi leggeri mantenuti in posizione fissa. Essa è stata progettata per eseguire solamente dei tagli brevi. Questo utensile è stato progettato per uso professionale e privato e per utenti non professionisti.

## Istruzioni di Sicurezza

## Avvisi di sicurezza generici per gli elettrotensili



**Avvertenza!** Leggere tutti gli avvisi di sicurezza e le istruzioni. La mancata osservanza dei presenti avvisi e istruzioni potrebbe causare scosse elettriche, incendi e/o infortuni gravi.

**Conservare tutti gli avvertimenti e le istruzioni per consultazioni future** Il termine "elettrotensile" che ricorre in tutti gli avvisi seguenti si riferisce a utensili elettrici alimentati dalla rete (con filo) o a batteria (senza filo).

## 1. Sicurezza nella zona di lavoro

- a. **Mantenere pulita e bene illuminata l'area di lavoro.** Gli ambienti disordinati o scarsamente illuminati favoriscono gli incidenti.
- b. **Evitare di usare gli elettroutensili in ambienti esposti a rischio di esplosione, ad esempio in presenza di liquidi, gas o polveri infiammabili.** Gli apparati elettrici creano scintille che possono incendiare le polveri o i fumi.
- c. **Tenere lontani bambini e astanti mentre si usa un elettroutensile.** Le distrazioni possono provocare la perdita di controllo.

## 2. Sicurezza elettrica

- a. **Le spine elettriche degli elettroutensili devono essere adatte alla presa. Non modificare la spina in alcun modo. Non collegare un adattatore alla spina di un apparato elettrico dotato di scarico a terra.** Per ridurre il rischio di scossa elettrica evitare di modificare le spine e utilizzare sempre le prese appropriate.
- b. **Evitare il contatto fisico con superfici collegate a terra, tipo tubi, radiatori, forni e frigoriferi.** Se il proprio corpo è collegato con la terra, il rischio di scossa elettrica aumenta.
- c. **Custodire gli elettroutensili al riparo dalla pioggia o dall'umidità.** Se l'acqua entra nell'apparato elettrico aumenta il rischio di scossa elettrica.
- d. **Non utilizzare il cavo in modo improprio. Non utilizzare mai il cavo per spostare, tirare o scollegare l'apparato elettrico. Tenere il cavo elettrico lontano da fonti di calore, olio, bordi taglienti o parti in movimento.** Se il cavo è danneggiato o impigliato, il rischio di scossa elettrica aumenta.
- e. **Se l'elettroutensile viene adoperato all'aperto, usare esclusivamente prolunge omologate per l'impiego all'esterno.** L'uso di un cavo elettrico adatto ad ambienti esterni riduce il rischio di scossa elettrica.
- f. **Se non è possibile evitare di lavorare in una zona umida, usare un'alimentazione elettrica protetta da un dispositivo a corrente residua (RCD).** L'uso di un interruttore differenziale riduce il rischio di scossa elettrica.

## 3. Sicurezza delle persone

- a. **È importante concentrarsi su ciò che si sta facendo e maneggiare con giudizio l'elettroutensile. Non utilizzare l'apparato elettrico quando si è stanchi o sotto l'effetto di droghe, alcool o medicinali.** Un solo attimo di distrazione durante l'uso di tali apparati potrebbe provocare gravi lesioni personali
- b. **Usare l'equipaggiamento di protezione personale. Utilizzare sempre protezioni oculari.**

L'uso di abbigliamento di protezione quali mascherine antipolvere, scarpe antinfortunistiche antiscivolo, caschi di sicurezza o protezioni uditive, in condizioni opportune consente di ridurre le lesioni personali.

- c. **Impedire l'avviamento involontario. Accertarsi che l'interruttore di accensione sia regolato su spento prima di collegare l'elettroutensile all'alimentazione elettrica e/o al battery pack, di prenderlo in mano o di trasportarlo.** Il trasporto di apparati elettrici tenendo il dito sull'interruttore o quando sono collegati alla rete elettrica con l'interruttore nella posizione di acceso provoca incidenti.
- d. **Prima di accendere un elettroutensile, togliere eventuali utensili o chiavi di regolazione.** Un utensile di regolazione o una chiave fissati su una parte rotante dell'apparato elettrico possono provocare lesioni personali.
- e. **Non sbilanciarsi. Mantenere sempre un appoggio ed equilibrio adeguati.** Ciò consente un migliore controllo dell'apparato nelle situazioni impreviste.
- f. **Vestirsi adeguatamente. Non indossare abiti lenti o gioielli. Tenere i capelli, i vestiti e i guanti lontano dalle parti mobili.** Abiti larghi, gioielli o capelli lunghi possono impigliarsi nelle parti in movimento.
- g. **Se gli elettroutensili sono provvisti di attacchi per il collegamento di dispositivi di aspirazione o di raccolta della polvere, assicurarsi che questi siano installati e utilizzati correttamente.** La raccolta delle polveri può ridurre i pericoli legati a queste ultime.

## 4. Uso e cura degli elettroutensili

- a. **Non sovraccaricare l'elettroutensile. Utilizzare un apparato adatto al lavoro da eseguire.** L'apparato lavora meglio e con maggior sicurezza se utilizzato secondo quanto è stato previsto.
- b. **Non utilizzare elettroutensili con interruttori difettosi.** Qualsiasi apparato elettrico che non possa essere controllato tramite l'interruttore è pericoloso e deve essere riparato.
- c. **Scollegare la spina dalla presa di corrente e/o il battery pack dall'elettroutensile prima di regolarlo, sostituirne gli accessori o di riparlo.** Queste misure di sicurezza preventive riducono il rischio di azionare l'apparato accidentalmente.
- d. **Quando non vengono usati, gli elettroutensili devono essere custoditi fuori dalla portata dei bambini. Non consentire l'uso dell'elettroutensile a persone inesperte o che non abbiano letto le presenti istruzioni.** Gli apparati elettrici sono pericolosi in mano a persone inesperte.

- e. **Sottoporre gli elettrotensili a regolare manutenzione.** Verificare che le parti mobili siano bene allineate e non inceppate, che non vi siano componenti rotti e che non sussistano altre condizioni che possono compromettere il funzionamento dell'elettrotensile. Se danneggiato, far riparare l'apparato elettrico prima dell'uso. Molti incidenti sono provocati da apparati elettrici su cui non è stata effettuata la corretta manutenzione.
- f. **Mantenere affilati e puliti gli strumenti da taglio.** La manutenzione corretta degli utensili da taglio con bordi affilati riduce le probabilità di inceppamento e ne facilita il controllo.
- g. **Utilizzare l'elettrotensile, gli accessori e le punte in conformità alle presenti istruzioni, tenendo conto delle condizioni di lavoro e del lavoro da completare.** L'utilizzo dell'apparato elettrico per impieghi diversi da quelli previsti può provocare situazioni di pericolo.

## 5. Assistenza

- a. **Fare riparare l'elettrotensile esclusivamente da personale specializzato e solo usando pezzi di ricambio originali.** In questo modo viene garantita la sicurezza dell'apparato elettrico.

## Istruzioni di sicurezza per tutte le seghe

### Procedure di taglio



**Pericolo: Tenere le mani lontane dalla zona di taglio e dalla lama. Tenere la seconda mano sulla leva ausiliaria, o sull'alloggiamento del motore.** Impugnando la segatrice con entrambe le mani, si evitano tagli alle stesse.

- ◆ **Non sporgersi sotto il pezzo da lavorare.** La protezione non può proteggere dalla lama sotto al pezzo.
- ◆ **Regolare la profondità di taglio allo spessore del pezzo da lavorare.** Sotto al pezzo dovrebbe essere visibile meno di un dente completo della lama.
- ◆ **Non tenere mai il pezzo da tagliare in mano o appoggiato sulla coscia. Assicurare il pezzo in lavorazione su una base di sostegno stabile.** Per ridurre al minimo il pericolo di un contatto con il corpo, la possibilità di un blocco della lama da taglio oppure la perdita del controllo, è importante fissare bene il pezzo in lavorazione.
- ◆ **Sostenere l'apparato con supporti aventi superfici isolanti quando si eseguono lavorazioni in cui la parte tagliente potrebbe toccare cavi elettrici nascosti o il cavo di alimentazione dell'accessorio di taglio.** Il contatto tra l'accessorio di taglio e un filo sotto tensione mette sotto tensione le parti metalliche esposte dell'elettrotensile e potrebbe esporre l'operatore a scosse elettriche.
- ◆ **Quando si sega secondo la fibra, usare una guida pezzo o una riga.** In questo modo si migliora la precisione del taglio e si riduce la possibilità di inceppamento della lama.
- ◆ **Usare sempre lame delle dimensioni e forme corrette (diamante piuttosto che rotondo) dei fori di sostegno.** Lame per segatrici non adatte ai relativi pezzi di montaggio, avranno una rotazione eccentrica causando la perdita di controllo dell'apparato elettrico.
- ◆ **Non usare mai rondelle di bulloni danneggiate o di lame non corrette.** Le rondelle e le viti per lama da taglio sono appositamente previste per la vostra segatrice e sono state realizzate per raggiungere prestazioni ottimali e la massima sicurezza di utilizzo.



**Avvertenza!** Il contatto o l'inalazione della polvere generata dalla segatura potrebbe nuocere alla salute dell'operatore e di eventuali astanti. Indossare una mascherina antipolvere specifica per polveri e fumi e controllare che anche le persone presenti o in arrivo nella zona di lavoro siano adeguatamente protette.

- ◆ Dopo la segatura, rimuovere tutta la polvere.
- ◆ Vietare l'ingresso nell'area di lavoro a bambini o donne in gravidanza.
- ◆ Non mangiare, bere o fumare nell'area di lavoro.
- ◆ Smaltire polvere e rifiuti adottando le necessarie misure di sicurezza.
- ◆ L'utilizzo previsto è indicato nel presente manuale. Se questo elettrotensile viene impiegato con accessori o per usi diversi da quelli raccomandati nel presente manuale, potrebbero verificarsi lesioni personali e/o danni alle cose.
- ◆ L'accessorio continuerà a muoversi dopo il rilascio dell'interruttore. Prima di appoggiare l'elettrotensile, spegnerlo e attendere che l'accessorio si fermi completamente.
- ◆ **Mantenere le lame affilate.** Lame spuntate o danneggiate possono causare la deviazione o lo spegnimento della sega sotto sforzo. Usare sempre il tipo di lama adatto al materiale da tagliare e al tipo di taglio.
- ◆ Quando si taglia un tubo o una conduttura, accertarsi sempre che al loro interno non vi siano acqua o fili elettrici.
- ◆ Non toccare il pezzo o la lama subito dopo aver fatto funzionare l'elettrotensile. Possono diventare molto caldi.
- ◆ Essere consapevoli che vi possono essere dei pericoli nascosti: prima di praticare tagli in pareti, pavimenti o soffitti, controllare l'ubicazione di cablaggi e tubazioni.
- ◆ Evitare di tagliare chiodi, ispezionare il materiale tagliato per vedere se ci sono chiodi e rimuoverli prima del taglio.
- ◆ Non far funzionare la segatrice mentre la si trasporta tenendolo lungo il fianco.
- ◆ Accertarsi che la sede della leva di blocco profondità sia fissa e assicurata prima dell'esecuzione del taglio.



- ◆ Se il taglio viene interrotto o la lama è inceppata, rilasciare immediatamente la levetta e mantenere la segatrice in modo fermo nel materiale fino a quando la lama non si arresta completamente. Non tentare mai di rimuovere la sega dal lavoro o tirare la sega indietro mentre la lama è in movimento o si potrebbe verificare il rimbalzo.

## Ulteriori istruzioni di sicurezza valide per tutte le segatrici

### Cause dei contraccolpi e avvisi in merito

- ◆ un rimbalzo è la reazione improvvisa provocata da una lama rimasta agganciata, che si blocca oppure che non è stata regolata correttamente, comportando un movimento incontrollato della sega, la quale sbalza dal pezzo in lavorazione e si sposta in direzione dell'operatore;
- ◆ quando la lama rimane agganciata oppure si inceppa nella fessura del taglio che si restringe, si blocca e la potenza del motore fa balzare la macchina indietro in direzione dell'operatore;
- ◆ se la lama si contorce o non è allineata al taglio, i denti all'estremità posteriore della lama possono scavare nella superficie superiore del legno facendo uscire la lama dal banco e facendola saltare verso l'operatore.

Un contraccolpo è la conseguenza di un utilizzo non appropriato e/o non corretto dell'elettroutensile. Esso può essere evitato soltanto adottando le misure di sicurezza idonee come descritto di seguito.

- ◆ **Afferrare saldamente la sega con entrambe le mani e posizionare le braccia in modo da poter far fronte ai contraccolpi. Posizionare il corpo su ambo i lati della lama, ma non in linea con la lama.** In caso di un rimbalzo, la sega circolare può balzare all'indietro; comunque, prendendo delle misure adatte l'operatore può essere in grado di controllare il rimbalzo.
- ◆ **Quando la lama si inceppa, oppure quando per una qualsiasi ragione si interrompe l'operazione di taglio, rilasciare la levetta e tenere la sega immobile nel pezzo fino a quando la lama si arresta del tutto. Non tentare mai di rimuovere la sega dal lavoro o tirare la sega indietro mentre la lama è in movimento o si potrebbe verificare il rimbalzo.** Esaminare e prendere azioni correttive per eliminare le cause che inceppano la lama.
- ◆ **Volendo avviare nuovamente una segatrice che ancora si trova nel pezzo in lavorazione, centrare la lama nella fessura del taglio ed accertarsi che la dentatura della segatrice non sia rimasta agganciata nel pezzo in lavorazione.**

Se la lama della sega si inceppa, potrebbe fuoriuscire dal pezzo o causare un contraccolpo quando la sega viene riavviata.

- ◆ **Supportare i pannelli grandi per minimizzare il rischio che la lama rimanga pinzata e provochi il rimbalzo.** I pannelli più grandi tendono a incurvarsi sotto il loro peso. Sotto tali pannelli, è necessario inserire da entrambi i lati dei supporti idonei, sia lungo la linea di taglio che lungo i bordi.
- ◆ **Non usare lame spuntate o danneggiate.** Lame spuntate o posizionate male producono un taglio stretto causando un attrito eccessivo, l'inceppamento della lama e dei contraccolpi.
- ◆ **La profondità della lama e la regolazione delle leve di blocco dello smusso devono essere strette e sicure prima di eseguire il taglio.** Se la regolazione della lama cambia durante il taglio, si possono causare inceppamenti e contraccolpi.
- ◆ **Prestare particolare attenzione quando si praticano dei tagli con la sega in pareti esistenti o in altre zone con scarsa visibilità.** La lama sporgente potrebbe tagliare oggetti che possono causare un contraccolpo.

### Funzione della protezione inferiore

- ◆ **Controllare che la protezione si chiuda correttamente prima di ciascun impiego. Non far funzionare la sega se la protezione non si muove liberamente e non circonda la lama immediatamente. Non serrare né legare mai la protezione lasciando esposta la lama.** Se si fa cadere accidentalmente la sega, la protezione potrebbe deformarsi. Controllare che la protezione si muova liberamente e che non tocchi né la lama né altre parti, in ogni angolo e profondità di taglio.
- ◆ **Controllare il funzionamento della molla della protezione inferiore. Se la protezione e la molla non funzionano bene, devono essere riparati prima dell'uso.** Componenti danneggiati, depositi di sporcizia appiccicosi oppure accumuli di trucioli comportano una riduzione della funzionalità della calotta inferiore di protezione.
- ◆ **La protezione inferiore deve essere ritratta manualmente solo per tagli speciali come quelli "a tuffo" e quelli "compositi". Sollevare la protezione inferiore mediante la leva di ritorno e rilasciarla non appena la lama da taglio sarà penetrata nel pezzo in lavorazione.** Nel caso di ogni altra operazione di taglio, la calotta inferiore di protezione deve funzionare automaticamente.
- ◆ **Osservare sempre che la protezione inferiore copra la lama prima di appoggiare la sega sul banco o pavimento.** Una lama non protetta o che gira a vuoto fa spostare all'indietro la sega, tagliando tutto ciò che trova lungo il percorso. Tenere quindi sempre in considerazione la fase di arresto della segatrice.

## Lame della sega

- ◆ Non utilizzare lame di diametro maggiore o minore di quello consigliato. Fare riferimento ai dati tecnici per le corrette capacità di taglio. Utilizzare soltanto le lame specificate in questo manuale, conformi alla norma EN 847-1.
- ◆ **Avvertenza!** Non usare mai dischi abrasivi.

## Sicurezza altrui

- ◆ Questo elettrotensile può essere usato da bambini dagli 8 anni in su e da persone portatrici di handicap fisici, psichici o sensoriali o che non abbiano la dovuta esperienza o conoscenza, sempre che siano seguite o opportunamente istruite sull'uso sicuro e comprendano i pericoli inerenti.
- ◆ I bambini non devono giocare con l'elettrodomestico. Gli interventi di pulizia e di manutenzione da parte dell'utente non devono essere eseguiti da bambini senza supervisione.

## Rischi residui

L'utilizzo dell'apparecchio può comportare altri rischi non contemplati negli avvisi di sicurezza qui riportati. Tali rischi possono sorgere a seguito di un uso prolungato o improprio, ecc.

Pur osservando le norme di sicurezza e utilizzando dispositivi di protezione adeguati, certi rischi non possono essere evitati. Sono inclusi:

- ◆ Lesioni causate o subite a seguito del contatto con parti rotanti/in movimento.
- ◆ Lesioni causate o subite durante la sostituzione di parti, lame o accessori.
- ◆ Lesioni causate dall'impiego prolungato di un elettrotensile. Quando si usa qualsiasi utensile per lunghi periodi, accertarsi di fare regolarmente delle pause.
- ◆ Menomazioni uditive.
- ◆ Rischi per la salute causati dall'aspirazione di polvere generata dall'utilizzo dell'elettrotensile (ad esempio quando si lavora con il legno, in modo particolare quello di quercia, faggio o l'MDF.)

## Vibrazioni

I valori dichiarati delle emissioni di vibrazioni al paragrafo Dati tecnici e nella Dichiarazione di conformità del presente manuale sono stati misurati in base al metodo di test standard previsto dalla normativa EN 60745 e possono essere usati come parametri di confronto tra due utensili. Il valore delle emissioni di vibrazioni dichiarato può anche essere usato come valutazione preliminare dell'esposizione.

**Avvertenza!** Il valore delle emissioni di vibrazioni durante l'impiego effettivo dell'elettrotensile può variare da quello dichiarato a seconda delle modalità d'uso. Il livello delle vibrazioni può aumentare oltre quello dichiarato.

Quando si valuta l'esposizione alle vibrazioni per determinare le misure di sicurezza richieste dalla normativa 2002/44/CE destinata alla protezione delle persone che usano regolarmente gli elettrotensili nello svolgimento delle proprie mansioni, è necessario prendere in considerazione le condizioni effettive di utilizzo e il modo in cui l'utensile è usato, oltre a tenere in conto tutte le componenti del ciclo operativo, vale a dire i periodi in cui l'elettrotensile è spento, quelli in cui è acceso ma a riposo e quelli in cui è effettivamente utilizzato.

## Etichette sull'apparato

Sull'elettrotensile compaiono i seguenti pittogrammi:



**Avvertenza!** Per ridurre il rischio di infortuni, l'utente deve leggere il manuale d'uso.



Indossare occhiali di sicurezza.



Utilizzare protezioni acustiche.



Indossare una maschera anti-polvere.



Il presente prodotto non deve essere usato da bambini di età inferiore ai 16 anni.



Attenzione alle mani - Tenere dita e braccia lontane dalle lame rotanti.



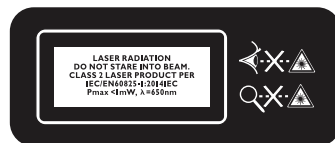
Indossare guanti quando si maneggiano le lame.



**Avvertenza!** Radiazione laser.



Non usare attrezzi ottici per osservare direttamente il raggio laser.



## Sicurezza elettrica



Il doppio isolamento di cui è provvisto l'elettrodomestico rende superfluo il filo di terra. La fornitura del voltaggio e della corrente deve essere conforme alle specifiche indicate sulla targa.

- ◆ In caso di danneggiamento del filo di alimentazione, è necessario farlo riparare dal fabbricante o presso un centro assistenza Stanley Fat Max autorizzato in modo da evitare eventuali pericoli.

## Caratteristiche

Questo elettrodomestico presenta alcune o tutte le seguenti caratteristiche.

1. Azionamento dell'interruttore acceso/spento
2. Profondità di taglio
3. Serraggio per impostare la profondità di taglio
4. Protezione inferiore
5. Manopola di regolazione guida parallela
6. Guida parallela
7. Piastra di appoggio
8. Flangia di serraggio
9. Bullone della lama
10. Pulsante di blocco levetta e rilascio del pattino
11. Feritoie di ventilazione
12. Mirino laser
13. Connessione per estrazione polvere
14. Pulsante di blocco dell'alberino
15. Chiave esagonale
16. Lama a sega diamantata
17. Lama a sega in acciaio temprato
18. Lama TCT
19. Tubo flessibile di aspirazione polvere
20. Indicatore linea di taglio

## Assemblaggio

Verificare eventuali danni all'apparato, ai componenti e agli accessori che possano essere avvenuti durante il trasporto. Leggere accuratamente questo manuale e comprenderne tutto il contenuto prima di assemblare e utilizzare l'utensile

## Utilizzo

**Avvertenza!** Lasciare che l'elettrodomestico funzioni al suo ritmo. Non sovraccaricarlo.

## Accensione e spegnimento (fig.A)

**Nota:** Prima di azionare l'interruttore di accensione/spegnimento, verificare che la lama della segatrice sia inserita in modo appropriato e funzioni perfettamente e che la vite di fissaggio della lama sia saldamente fissata.

- ◆ Premere il pulsante di blocco levetta e rilascio pattino (10) per rilasciare il levetta.
- ◆ Mettere in funzione l'utensile azionando l'interruttore a levetta (1).
- ◆ Spegnere l'utensile azionando l'interruttore a levetta (1).

## Regolazione della profondità di taglio (0-28,5 mm) (fig. B)

- ◆ Allentare il serraggio (3).

- ◆ Impostare la profondità di taglio desiderata mediante la scala (2).
- ◆ Stringere il serraggio (3)
- ◆ Per una qualità ottimale del taglio, la lama non deve sporgere per più di 3 mm sotto il pezzo da lavorare
- ◆ Prestare attenzione al fatto che la profondità di taglio effettiva del disco in diamante differisce di circa 2 mm dalla profondità di taglio indicata sulla scala (2).

**Nota:** Eseguire sempre dei tagli di prova per verificare la linea effettiva di taglio.

## Aspirazione polvere (fig. C)

- ◆ Collegare il tubo dell'aspirapolvere (19) alla connessione (13) e all'aspirapolvere come da illustrazione.

**Avvertenza!** Evitare sempre che il tubo dell'aspirapolvere interferisca con la protezione inferiore o l'operazione di taglio.

**Avvertenza!** Non utilizzare l'aspirapolvere quando si taglia il metallo.

## Sostituzione della lama della segatrice (fig. D - G)

**Avvertenza!** Prima di sostituire le lame o eseguire qualsiasi operazione di manutenzione, accertarsi che l'utensile sia spento e disconnesso dall'alimentazione di corrente.

- ◆ Impostare la massima profondità di taglio (fig. D).
- ◆ Utilizzare la chiave esagonale (15) in dotazione.
- ◆ Premere il pulsante di blocco dell'alberino (14) e tenerlo premuto (fig. E).  
Rimuovere la vite della lama (9) ruotando la chiave esagonale (15)  
IN SENSO ORARIO (= nella stessa direzione della freccia impressa sulla protezione) (fig. F).
- ◆ Rilasciare il pulsante di blocco mandrino (14).
- ◆ Rimuovere la flangia (8).
- ◆ Premere il pulsante (10) con il proprio pollice
- ◆ Sollevare l'appoggio (7) e rimuovere la lama della segatrice.
- ◆ Installare la nuova lama accertandosi che la rotazione della lama avvenga nella stessa direzione della freccia impressa sulla protezione.
- ◆ Montare la flangia (8).
- ◆ Serrare a fondo la vite della lama (9) ruotando la chiave esagonale (15)  
IN SENSO ANTIORARIO mentre viene premuto il pulsante di blocco mandrino (14).
- ◆ Rilasciare il pulsante di blocco mandrino (14).

## Funzionamento dell'utensile (fig. H - M)

- ◆ Regolare la profondità di taglio desiderata.
- ◆ Collegare la spina nella presa di alimentazione.
- ◆ Premere il pulsante (10) con il proprio pollice.
- ◆ Posizionare l'utensile con l'estremità frontale dell'appoggio in piano sul pezzo da lavorare.
- ◆ Inclinare l'utensile in avanti con l'indicatore della linea di taglio (20) allineato con la linea di taglio desiderata contrassegnata sul pezzo da lavorare (fig. H).
- ◆ Accertarsi che il dente della segatrice non sia impigliato nel pezzo da lavorare.
- ◆ Mettere in funzione l'utensile.
- ◆ L'utensile dovrebbe girare a piena velocità prima che la lama penetri nel pezzo da lavorare.
- ◆ Non sforzare l'utensile (applicare una pressione leggera e continua per evitare il surriscaldamento delle punte della lama e in caso di taglio di plastica la fusione del materiale plastico).
- ◆ Durante il funzionamento, afferrare sempre la maniglia isolata o le maniglie isolate dell'utensile.
- ◆ Dopo il completamento del taglio, spegnere l'utensile rilasciando la levetta (1).
- ◆ Accertarsi che le lame siano completamente ferme prima di sollevare l'utensile dal pezzo da lavorare.

## Funzione elettronica. Azione del raggio laser (fig. I)

**Attenzione!** Quando non è in uso, assicurarsi di spegnere il laser.

Non guardare mai direttamente il raggio laser; il raggio laser può danneggiare gli occhi.

**RADIAZIONE LASER: NON FISSARE IL RAGGIO o qualsiasi PRODOTTO LASER DI CLASSE II.**

Prima di spostare la linea di laser o eseguire regolazioni di manutenzione, assicurarsi di scollegare l'apparato.

- ◆ Per accendere/spegnere il laser, attivare l'interruttore (12a) sul retro dell'alloggiamento laser.

## Pulizia della lente per la luce laser

Se la lente per la luce laser si sporca, o della segatura aderisce ad essa in modo tale che la linea laser non sia facilmente visibile, scollegare la sega e pulire accuratamente la lente con un panno morbido inumidito. Non utilizzare solventi o detergenti a base di petrolio sulla lente.

**Nota:** Quando la linea del laser è offuscata e quasi o del tutto invisibile a causa della luce diretta del sole nella finestra interna o esterna vicino alla propria zona di lavoro, riposizionare l'area di lavoro in un luogo non esposto alla luce solare diretta.

**Nota:** Tutte le regolazioni per il funzionamento di questa macchina sono state eseguite in fabbrica.

**Attenzione:** L'utilizzo di comandi o regolazioni o adempimenti di procedure diverse da quelle qui specificate può esporre a radiazioni pericolose.

L'uso di strumenti ottici con questo prodotto aumenta il pericolo alla vista. Non tentare di riparare o smontare il laser. Se persone non qualificate tentano di riparare questo prodotto laser, si possono provocare lesioni gravi.

Qualsiasi riparazione necessaria su questo prodotto laser dovrebbe essere eseguita dal personale di un centro di assistenza autorizzato.

## Taglio a tuffo (fig. J)

- ◆ Premere il pulsante (10).
- ◆ Mettere in funzione l'utensile.

**Avvertenza!** L'utensile dovrebbe girare a piena velocità prima che la lama

penetri nel pezzo da lavorare.

- ◆ Inclinare l'utensile in avanti con l'indicatore della linea di taglio (20) allineato con la linea di taglio contrassegnata sul pezzo da lavorare. Muovere l'utensile gradualmente in avanti.

**Avvertenza!** Non portare mai l'utensile all'indietro.

## Utilizzo della guida parallela (fig. K)

- ◆ Per eseguire tagli precisi lungo lo spigolo del pezzo da lavorare.
- ◆ Può essere inserito su ciascun lato dell'appoggio.

## Regolazione della guida parallela

- ◆ Allentare la manopola (5)
- ◆ Regolare la larghezza di taglio desiderata mediante la scala della guida parallela (utilizzando l'indicatore della linea di taglio (20) come riferimento 0).
- ◆ Serrare la manopola (5).

## Consigli per un utilizzo ottimale

- ◆ Utilizzare solamente delle lame affilate del tipo e della dimensione corretti (fig. L).
- ◆ Utilizzare una lama della segatrice in acciaio temprato (17) per il taglio di legno, alluminio, plastica e tutti i tipi di legno laminato
- ◆ Utilizzare la segatrice in diamante (16) per tagliare ceramica e piastrelle
- ◆ Utilizzare la lama con punta in carburo (18) per tagliare solamente legno e plastica

## Taglio di pannelli di grandi dimensioni (fig. M)

- ◆ Supportare il pannello vicino al taglio sul pavimento, sul tavolo o sul banco da lavoro.

**Avvertenza!** Impostare la profondità di taglio in modo da tagliare attraverso il pannello e non attraverso il supporto.

- ◆ Nel caso in cui la guida parallela non consenta la larghezza di taglio desiderata, serrare o inchiodare un pezzo diritto in legno al pezzo da lavorare come guida e utilizzare il lato destro dell'appoggio contro la guida.

## Taglio privo di schegge

- ◆ Girare sempre verso il passo il lato buono del pezzo da lavorare - serrare un pezzo diritto in legno sul pezzo da lavorare attraverso 2 graffi.

## Taglio di materiali particolarmente duri o abrasivi

### Foglio in metallo morbido

- ◆ Impostare sempre la profondità almeno 1 mm più a fondo rispetto allo spessore del materiale per evitare che la lama scivoli sopra la superficie. È necessario il materiale di scarto sotto la superficie di lavoro.
- ◆ Rimuovere bave e ruggine in quanto esse impediscono l'avanzamento attraverso il materiale.
- ◆ La cera di ape spessa (lucidante per mobili) applicata sulla base dell'utensile facilita il taglio del metallo.
- ◆ Adatto solamente per il taglio di ottone, rame, piombo o alluminio.
- ◆ Ogni 2 minuti di taglio del metallo deve essere eseguita una pausa di almeno 3 minuti.

### Piastrelle in ceramica, ardesia ecc.

- ◆ Utilizzare solamente una lama specificatamente sviluppata per questo scopo.
- ◆ Utilizzare sempre un aspirapolvere o un estrattore di polvere adatti collegati in quanto la polvere potrebbe essere pericolosa per l'operatore e impedire un funzionamento corretto della protezione.

### Pannello in cartongesso:

- ◆ La segatrice a tuffo è raccomandata solamente per tagli occasionali in pannelli in cartongesso, utilizzarla sempre con un aspirapolvere o un'estrattore di polvere adatti collegati. La polvere potrebbe impedire il corretto funzionamento della protezione.
- ◆ Gli utensili convenzionali come i seghetti di traforo o i coltelli porta in genere a risultati eccellenti, tuttavia il seghetto di traforo può essere utilizzato se è necessario un taglio particolarmente pulito e privo di polvere o se sussiste il pericolo per il taglio di tubi o cavi.

## Manutenzione

Questo apparecchio/apparecchio Stanley Fat Max con o senza filo è stato progettato per funzionare a lungo con una manutenzione minima. Prestazioni sempre soddisfacenti dipendono da una cura appropriata e da una pulizia regolare.

**Avvertenza!** Prima di eseguire interventi di manutenzione su elettrotensili con o senza filo procedere come descritto di seguito.

- ◆ Spegner e scollegare l'elettrotensile dalla presa di corrente.

- ◆ Oppure spegnere ed estrarre la batteria se l'apparecchio/elettrotensile è dotato di battery pack a parte.
- ◆ Oppure scaricare completamente la batteria, se è di tipo integrale, quindi spegnerlo.
- ◆ Pulire regolarmente le prese di ventilazione dell'apparecchio/elettrotensile/alimentatore con un pennello o con un panno morbido e asciutto.
- ◆ Il vano del motore deve essere pulito regolarmente con un panno umido.  
Non usare materiali abrasivi o detersivi a base di solventi.

**Avvertenza!** Se si verifica uno dei seguenti eventi durante il normale funzionamento, è necessario interrompere immediatamente l'alimentazione di corrente e l'utensile deve essere ispezionato a fondo da una persona qualificata e riparato in caso di necessità:

- ◆ I componenti rotanti si incastrano o la velocità diminuisce in modo anomalo.
- ◆ L'utensile vibra in modo anomalo e viene accompagnato da rumori strani.
- ◆ La carcassa del motore si surriscalda in modo anomalo.
- ◆ Si verificano numerose scintille attorno all'area del motore

### Sostituzione della spina (solo Regno Unito e Irlanda)

Se è necessario installare una nuova spina:

- ◆ smaltire in tutta sicurezza quella vecchia.
- ◆ Collegare il filo marrone al morsetto sotto tensione della nuova spina.
- ◆ Collegare il filo blu al morsetto neutro.

**Avvertenza!** Non deve essere effettuato nessun collegamento al terminale di messa a terra. Seguire le istruzioni di montaggio fornite con spine di buona qualità. Fusibile raccomandato: 5 A.

### Protezione dell'ambiente



Raccolta differenziata. I prodotti e le batterie contrassegnati con questo simbolo devono essere smaltiti con i rifiuti domestici normali.

I prodotti e le batterie contengono materiali che possono essere recuperati o riciclati riducendo la richiesta di materie prime. Riciclare i prodotti elettrici e le batterie secondo le disposizioni locali. Ulteriori informazioni sono disponibili all'indirizzo [www.2helpU.com](http://www.2helpU.com)

## Dati tecnici

		FME380
Tensione	$V_{AC}$	230
Velocità a vuoto	$\text{min}^{-1}$	4500
Dimensione lama	mm	89
Profondità di taglio massima (legno morbido)	mm	28,5
Profondità di taglio massima (piastrella)	mm	8
Profondità di taglio massima (alluminio)	mm	3

## Livello di pressione sonora misurato in base a EN 60745:

Funzione della sega circolare: Pressione sonora ( $L_p$ ) 90 dB(A), incertezza (K) 3 dB(A)Potenza acustica ( $L_{wp}$ ) 101 dB(A), incertezza (K) 3 dB(A)Esclusione della funzione della macchina: ( $L_e$ ) 97 dB(A), incertezza (K) 3  $\text{m/s}^2$ Potenza acustica ( $L_{wp}$ ) 108 dB(A), incertezza (K) 3 dB(A)

## Valori totali vibrazioni (somma vettoriale triassiale) in base a EN 60745:

Taglio del legno ( $a_{hL}$ ) 2,4  $\text{m/s}^2$ , incertezza (K) 1,5  $\text{m/s}^2$ Taglio del metallo ( $a_{hM}$ ) 1,55  $\text{m/s}^2$ , incertezza (K) 1,5  $\text{m/s}^2$ Taglio del manufatto in calcestruzzo ( $a_{hC}$ ) 5,5  $\text{m/s}^2$ , incertezza (K) 1,5  $\text{m/s}^2$ Dichiarazione di conformità CE  
DIRETTIVA MACCHINE

FME380 Segatrice multimateriale compatta

Stanley Europe dichiara che questi prodotti descritti al paragrafo "Dati tecnici" sono conformi a:  
2006/42/EC, EN62841-1:2015, EN 62841-2-5:2014

Questi prodotti sono anche conformi alle direttive 2014/30/UE e 2011/65/UE. Per ulteriori informazioni contattare Stanley Europe al seguente indirizzo oppure consultare l'ultima di copertina del manuale.

Il sottoscritto è responsabile della redazione di questo documento tecnico e rilascia questa dichiarazione per conto di Stanley Europe.

R. Laverick  
Engineering Manager  
Stanley Europe, Egide Walschaertsstraat14-18,  
2800 Mechelen, Belgio  
23/08/2016

## Garanzia

Stanley Europe è sicura della qualità dei propri prodotti e offre ai consumatori una garanzia di 12 mesi dalla data di acquisto. Il presente certificato di garanzia è complementare ai diritti legali e non li pregiudica in alcun modo. La garanzia è valida sui territori degli stati membri dell'Unione Europea e dell'EFTA (Associazione europea di libero scambio).

Per attivare la garanzia, il reclamo deve essere effettuato in accordo con i Termini e Condizioni Stanley Europe e sarà necessario presentare la prova di acquisto al venditore o all'agente di riparazione autorizzato. I Termini e condizioni della garanzia Stanley Europe di 1 anno e la sede dell'agente di riparazione autorizzato più vicino sono consultabili su Internet all'indirizzo [www.2helpU.com](http://www.2helpU.com), o contattando l'ufficio FatMax Stanley di zona all'indirizzo indicato in questo manuale.

Visitare il nostro sito [www.stanley.eu/3](http://www.stanley.eu/3) per registrare il nuovo prodotto Stanley Fat Max e ricevere gli aggiornamenti sui nuovi prodotti e le offerte speciali.

(Vertaling van de originele instructies)

**NEDERLANDS**

## Bedoeld gebruik

De Stanley Fat Max multi-materiaal zaag FME380 Compact is voor in de lengterichting zagen en afkorten van hout, spaanplaat, multiplex, aluminium, tegels, natuursteen, kunststof en lichtgewicht bouwmaterialen die zijn vastgeklemd. Het gereedschap is uitsluitend bedoeld voor korte zaagsneden. Dit gereedschap is bedoeld voor professionele gebruikers en voor privé-gebruik door niet-professionele gebruikers.

## Veiligheidsinstructies

### Algemene veiligheidswaarschuwingen voor elektrisch gereedschap



**Waarschuwing!** Lees alle veiligheidswaarschuwingen en alle instructies. Wanneer de volgende waarschuwingen en voorschriften niet in acht worden genomen, kan dit een elektrische schok, brand of ernstig letsel tot gevolg hebben.

**Bewaar alle waarschuwingen en instructies als referentiemateriaal.** Het in de waarschuwingen gebruikte begrip 'elektrisch gereedschap' heeft betrekking op elektrisch gereedschap voor gebruik op de netspanning (met netsnoer) of op accu (snoerloos).

#### 1. Veilige werkomgeving

- a. **Houd uw werkomgeving schoon en goed verlicht.** Op rommelige of donkere plekken zullen sneller ongelukken gebeuren.
- b. **Werk niet met elektrisch gereedschap in een omgeving met explosiegevaar, zoals in de nabijheid van brandbare vloeistoffen, gassen of stof.** Elektrisch gereedschap veroorzaakt vonken die het stof of de dampen kunnen doen ontbranden.
- c. **Houd kinderen en omstanders op afstand, wanneer u met elektrisch gereedschap werkt.** Als u wordt afgeleid, kunt u de controle over het gereedschap verliezen.

#### 2. Elektrische veiligheid

- a. **De netstekker van het gereedschap moet in het stopcontact passen. Pas de stekker nooit op enige manier aan. Gebruik geen adapterstekkers in combinatie met geaard elektrisch gereedschap.** Niet-aangepaste stekkers en passende contactdozen verminderen het risico van een elektrische schok.
- b. **Vermijd aanraking van het lichaam met geaarde oppervlakken, bijvoorbeeld buizen, verwarmingen, fornuizen en koelkasten.** Er bestaat een verhoogd risico van een elektrische schok als uw lichaam contact heeft met aarde.
- c. **Stel het gereedschap niet bloot aan regen en vocht.** Als er water in een elektrisch gereedschap dringt, verhoogt dit het risico van een elektrische schok.
- d. **Behandel het snoer voorzichtig. Gebruik het snoer nooit om het elektrische gereedschap te dragen of naar u toe te trekken, of de stekker uit het stopcontact te halen. Houd het snoer uit de buurt van warme, olie, scherpe randen, of bewegende onderdelen.** Beschadigde snoeren of snoeren die in de war zijn geraakt, verhogen het risico van een elektrische schok.

- e. **Gebruik, wanneer u buitenshuis met elektrisch gereedschap werkt, alleen verlengsnoeren die zijn goedgekeurd voor gebruik buitenshuis.** Het gebruik van een verlengsnoer dat geschikt is voor buitenshuis, vermindert het risico van een elektrische schok.
- f. **Als u met elektrisch gereedschap werkt op een vochtige locatie, gebruik dan een aardlekschakelaar (RCD).** Het gebruik van een aardlekschakelaar vermindert het risico van een elektrische schok.

#### 3. Persoonlijke veiligheid

- a. **Blijf alert, let goed op wat u doet en ga met verstand te werk bij het gebruik van elektrische gereedschappen. Gebruik het gereedschap niet als u vermoeid bent of onder de invloed van drugs, alcohol of medicatie bent.** Een moment van onoplettendheid tijdens het werken met elektrisch gereedschap kan leiden tot ernstig persoonlijk letsel.
- b. **Draag persoonlijke beschermende uitrusting. Draag altijd oogbescherming.** Beschermende uitrusting, zoals een stofmasker, antislip veiligheidsschoenen, een helm, of gehoorbescherming, gebruikt in de juiste omstandigheden, zal het risico op persoonlijk letsel verminderen.
- c. **Voorkom per ongeluk inschakelen. Controleer dat de schakelaar in de uit-stand staat voordat u het gereedschap aansluit op het stopcontact en/of de accu plaatst en voordat u het gereedschap optilt of gaat dragen.** Het dragen van elektrisch gereedschap met uw vinger op de schakelaar of het aanzetten van elektrisch gereedschap waarvan de schakelaar aan staat, kan leiden tot ongelukken.
- d. **Verwijder instelgereedschap of schroef sleutels voordat u het gereedschap inschakelt.** Een steeksleutel of een inbussleutel in een draaiend deel van het gereedschap kan tot verwondingen leiden.
- e. **Reik niet buiten uw macht. Blijf altijd stevig en in balans op de grond staan.** Dit geeft u betere controle over het elektrische gereedschap in onverwachte situaties.
- f. **Draag geschikte kleding. Draag geen loszittende kleding of sieraden. Houd uw haar, kleding en handschoenen uit de buurt van bewegende onderdelen.** Loszittende kleding, sieraden of lang haar kunnen door bewegende delen worden gegrepen.
- g. **Als voorzieningen voor stofafzuiging of stofopvang kunnen worden gemonteerd, controleer dan dat deze zijn aangesloten en op de juiste wijze worden gebruikt.** Het gebruik van stofafzuiging kan aan stof gerelateerde gevaren verminderen.

#### 4. Gebruik en onderhoud van elektrisch gereedschap

- a. **Overbelast het elektrisch gereedschap niet. Gebruik het juiste elektrisch gereedschap voor uw toepassing.**

Met het juiste elektrisch gereedschap kunt u de werkzaamheden waarvoor het gereedschap is ontworpen, beter en veiliger uitvoeren.

- b. **Gebruik het elektrisch gereedschap niet als de schakelaar niet goed werkt.** Ieder elektrisch gereedschap dat niet met de schakelaar kan worden bediend, is gevaarlijk en moet worden gerepareerd.
  - c. **Trek de stekker uit het stopcontact en/of de accu uit het elektrisch gereedschap voordat u het gereedschap instelt, toebehoren wisselt of het gereedschap opbergt.** Dergelijke preventieve veiligheidsmaatregelen verminderen het risico dat het elektrisch gereedschap per ongeluk wordt gestart.
  - d. **Bewaar elektrisch gereedschap dat niet wordt gebruikt, buiten bereik van kinderen. Laat niet personen die er niet vertrouwd mee zijn en deze aanwijzingen niet hebben gelezen, met het gereedschap werken.** Elektrisch gereedschap is gevaarlijk in handen van ongetrainde gebruikers.
  - e. **Onderhoud het gereedschap goed. Controleer of bewegende delen van het gereedschap wel goed functioneren en niet klemmen, en of er niet onderdelen zodanig zijn gebroken of beschadigd dat de werking van het gereedschap nadelig wordt beïnvloed. Laat het gereedschap voor gebruik repareren als het beschadigd is.** Veel ongelukken worden veroorzaakt door slecht onderhouden elektrisch gereedschap.
  - f. **Houd zaaggereedschap scherp en schoon.** Goed onderhouden zaaggereedschap met scherpe snijvlakken loopt minder snel vast en is gemakkelijker onder controle te houden.
  - g. **Gebruik elektrisch gereedschap, toebehoren, zaagjes en boortjes, enz., volgens deze aanwijzingen. Let daarbij op de arbeidsomstandigheden en de uit te voeren werkzaamheden.** Gebruik van het elektrisch gereedschap voor werkzaamheden die anders zijn dan bedoeld, kan leiden tot een gevaarlijke situatie.
5. **Service**
- a. **Laat het gereedschap alleen repareren door gekwalificeerd en vakkundig personeel en alleen met originele vervangingsonderdelen.** De veiligheid van het gereedschap blijft dan gewaarborgd.

## Veiligheidsinstructies voor alle zagen

### Zaagprocedures



**Gevaar: Houd uw handen verwijderd van het zaaggebied en het zaagblad. Houd uw tweede hand op de hulphandgreep, of op het motorhuis.** Als beide handen de zaag vasthouden, kunnen zij niet in aanraking komen met het zaagblad.

- ◆ **Reik niet onder het werkstuk.** Onder het werkstuk kan de kap u niet beschermen tegen het zaagblad.
- ◆ **Pas de zaagdiepte aan aan de dikte van het werkstuk.** Minder dan een volledige tand van de zaagbladtanden moet zichtbaar zijn onder het werkstuk.
- ◆ **Houd nooit het stuk dat u wilt zagen in uw handen of op uw been. Zet het werkstuk vast op een stabiele ondergrond.** Het is belangrijk dat het werkstuk goed wordt ondersteund zodat blootstelling van het lichaam, vastlopen van het zaagblad of het verlies van controle tot een minimum worden beperkt.
- ◆ **Houd het gereedschap alleen vast aan geïsoleerde oppervlakken wanneer u een handeling uitvoert waarbij het accessoire van het zaaggereedschap in contact kan komen met verborgen bedrading of het eigen netsnoer.** Als een draad onder spanning wordt geraakt door het snijdende hulpstuk, komen onbedekte metalen onderdelen van het gereedschap onder spanning te staan en kunt u een elektrische schok krijgen.
- ◆ **Wanneer u een werkstuk in de lengterichting gaat doorzagen, moet u altijd een langsgelider of een richtlijniaal gebruiken.** De nauwkeurigheid van het zagen neemt toe en is er minder kans dat het zaagblad vastloopt.
- ◆ **Gebruik altijd zaagbladen van de juiste omvang en vorm (ruitvormig tegenover rond) van het asgat.** Zaagbladen die niet passen bij de montagevoorziening van de zaag, zullen excentrisch lopen, waardoor verlies van controle ontstaat.
- ◆ **Gebruik nooit beschadigde of onjuiste zaagbladringen of een onjuiste zaagbladbout.** De zaagbladringen en -bout zijn speciaal voor uw zaag ontworpen, voor optimale prestaties en veiligheid in gebruik.



**Waarschuwing!** Contact met of inademing van het stof dat bij zaagtoepassingen vrijkomt, kan de gezondheid van de gebruiker en omstanders schaden. Draag een stofmasker dat speciaal is ontworpen ter bescherming tegen stof en dampen, en zorg ervoor dat andere personen op de werkplek ook zijn beschermd.

- ◆ Verwijder grondig alle stof na het zagen.
- ◆ Kinderen en zwangere vrouwen mogen de werkvloer niet betreden.



- ◆ Eet, drink en rook niet op de werkvloer.
- ◆ Verwijder stof en ander afval op veilige en verantwoorde wijze.
- ◆ Het bedoeld gebruik wordt beschreven in deze gebruiksaanwijzing. Het gebruik van andere accessoires of hulpstukken of uitvoering van andere handelingen met dit gereedschap dan die in deze instructiehandleiding worden aanbevolen, kan leiden tot persoonlijk letsel en/of materiële schade.
- ◆ Het accessoire staat niet onmiddellijk stil wanneer u de schakelaar hebt losgelaten. Schakel het gereedschap altijd uit en wacht tot de accessoire volledig tot stilstand is gekomen voordat u het gereedschap neerlegt.
- ◆ **Houd zaagbladen scherp.** Door botte of beschadigde zaagbladen kan de zaag onder druk afwijken of blijven steken. Gebruik altijd een zaagblad dat geschikt is voor het materiaal van het werkstuk en het soort zaagsnede.
- ◆ Controleer, wanneer u een leiding of buis doorgezaagd, dat deze geen water, elektrische bedrading, enz. bevat.
- ◆ Raak het werkstuk of zaagblad niet aan direct na het werken met het gereedschap. Zij kunnen zeer heet worden.
- ◆ Wees bedacht op verborgen gevaren. Controleer waar zich bedrading en leidingen bevinden voordat u in muren, vloeren of plafonds zaagt.
- ◆ Zaag niet door spijkers, inspecteer het materiaal dat wordt gezaagd, of er spijkers in zitten en verwijder deze voordat u gaat zagen.
- ◆ Stel het gereedschap niet in werking wanneer u dit naast u draagt.
- ◆ Controleer vooral dat de vergrendelingshendel voor het invalzagen stevig vastzit, voordat u een zaagsnede maakt.
- ◆ Laat, wanneer u het zagen wilt onderbreken of het zaagblad vast komt te zitten, de schakelaar onmiddellijk los en houd de zaag stevig vast in het materiaal tot het zaagblad volledig tot stilstand is gekomen. Probeer nooit de zaag uit het werkstuk te trekken of de zaag naar achteren te trekken terwijl het zaagblad loopt omdat dan terugslag kan optreden.

### Verdere veiligheidsinstructies voor alle zagen

#### Oorzaken van terugslag en gerelateerde waarschuwingen

- ◆ terugslag is een plotselinge reactie op een bekneld, vastgelopen of verkeerd uitgelijnd zaagblad, waarbij een zaag zonder controle omhoog komt uit het werkstuk in de richting van de gebruiker;
- ◆ wanneer het zaagblad bekneld raakt of vastloopt doordat de zaagsnede zich sluit, loopt het zaagblad vast en wordt de unit door de reactie van de motor snel in de richting van de gebruiker geduwd.

- ◆ als het zaagblad krom wordt of verkeerd uitgelijnd raakt in de zaagsnede, kunnen de tanden aan de achterzijde van het zaagblad zich in het bovenoppervlak van het hout vreten, waardoor het zaagblad uit de zaagsnede omhoog klimt naar de gebruiker toe.

Terugslag is het gevolg van het verkeerde gebruik of onjuiste gebruiksomstandigheden van het gereedschap. Met geschikte voorzorgsmaatregelen, zoals hieronder zijn beschreven, kan terugslag worden voorkomen.

- ◆ **Blijf de zaag stevig met beide handen vasthouden en plaats uw armen zodanig dat u een eventuele terugslag kunt tegenhouden. Plaats uw lichaam aan één van beide zijden van het zaagblad, maar niet in lijn met het zaagblad.** Door terugslag kan de zaag naar achteren springen, maar de krachten van de terugslag kunnen door de gebruiker worden gecontroleerd, als de juiste voorzorgsmaatregelen worden genomen.
- ◆ **Wanneer het blad vast komt te zitten, of wanneer u het zagen om welke reden dan ook wilt onderbreken, laat dan de schakelaar los en houd de zaag stil in het materiaal totdat het zaagblad volledig tot stilstand is gekomen. Probeer nooit de zaag uit het werkstuk te trekken of de zaag naar achteren te trekken terwijl het zaagblad loopt of wanneer terugslag zich kan voordoen.** Zoek naar de oorzaak van het vastlopen en neem de geschikte maatregelen om die oorzaak te verhelpen.
- ◆ **Centreer, wanneer u een zaag opnieuw start in het werkstuk, het zaagblad in de zaagsnede en controleer dat de zaagtanden niet in het materiaal vastzitten.** Als het zaagblad vast zit, kan het uit het werkstuk omhoog lopen of terugslaan uit het werkstuk wanneer de zaag opnieuw wordt gestart.
- ◆ **Ondersteun grote panelen zodat het risico van het bekneld raken van het zaagblad en van terugslag tot een minimum wordt beperkt.** Grote panelen zakken vaak door onder hun eigen gewicht. Er moet aan beide zijden ondersteuning onder het paneel worden geplaatst, dicht bij de zaagsnede en dicht bij de rand van het paneel.
- ◆ **Gebruik geen botte of beschadigde bladen.** Bij niet-geslepen of onjuist geplaatste zaagbladen krijgt u een nauwe zaagsnede, ontstaat te veel wrijving, komt het zaagblad vast te zitten en treedt terugslag op.
- ◆ **Zet vergrendelingen van de zaagbladdiepte en afschuinhoek goed vast, voordat u gaat zagen.** Als het zaagblad tijdens het zagen verschuift, kan het vast komen te zitten en treedt terugslag op.
- ◆ **Wees extra voorzichtig wanneer u in bestaande muren of andere gebieden zaagt, die u niet kunt overzien.** Het vooruitstekende blad kan in voorwerpen zagen en dat kan terugslag veroorzaken

## Functioneren van onderste beschermkap

- ◆ **Controleer, voordat u de zaag gebruikt, altijd dat de beschermkap is gesloten. Gebruik de zaag nooit als de beschermkap klemt of vastzit en zich niet direct om het zaagblad sluit. Klem of bind de beschermkap nooit vast waardoor het zaagblad niet afgeschermd is.** Als de zaag per ongeluk valt, kan de beschermkap verbogen raken. Controleer dat de beschermkap bij alle zaaghoeken en zaagdiepten vrij kan bewegen en niet in aanraking komt met het zaagblad of een ander onderdeel.
- ◆ **Controleer dat het veermechanisme van de onderste beschermkap goed werkt. Als de beschermkap en de veer niet goed werken, moeten zij vóór gebruik worden nagezien.** Mogelijk werkt de onderste beschermkap traag als gevolg van beschadigde onderdelen, ingedikte resten van smeermiddelen of opeenhoping van vuil.
- ◆ **U mag de onderste beschermkap alleen met de hand omhooghouden bij speciale verrichtingen, zoals “invalzaagsneden” en “samengestelde zaagsneden”. Breng de onderste beschermkap omhoog door de handgreep terug te halen en laat de kap los zodra het zaagblad in het materiaal dringt.** Voor alle andere zaagwerkzaamheden moet de onderste beschermkap automatisch functioneren.
- ◆ **Voordat u de zaag neerzet op de werkbank of de vloer moet u er altijd op letten dat het zaagblad voldoende wordt afgeschermd door de onderste kap.** Als het zaagblad niet wordt afgeschermd en nog draait, zal de zaag daardoor naar achteren lopen en alles wat hij tegenkomt beschadigen. Houd rekening met de tijd die het zaagblad nodig heeft om tot stilstand te komen nadat u de schakelaar hebt losgelaten.

## Zaagbladen

- ◆ Gebruik geen zaagbladen met een grotere of kleinere diameter dan wordt aanbevolen. Raadpleeg de technische gegevens voor de juiste afmetingen van het zaagblad. Gebruik alleen de zaagbladen die worden opgegeven in deze handleiding, en die voldoen aan EN 847-1.
- ◆ **Waarschuwing!** Gebruik nooit slijpschijven.

## Veiligheid van anderen

- ◆ Dit gereedschap mag worden gebruikt door kinderen van 8 jaar en ouder en personen die lichamelijk of geestelijk minder valide zijn of die geen ervaring met of kennis van de machine hebben, als zij onder toezicht staan en instructies krijgen voor veilig gebruik van de machine en de mogelijke gevaren begrijpen.
- ◆ Kinderen mogen niet met het gereedschap spelen. Laat kinderen nooit zonder toezicht het gereedschap schoonmaken of onderhouden.

## Overige risico's

Er kunnen zich bij het gebruik van dit gereedschap nog meer risico's voordoen, die mogelijk niet in de bijgesloten veiligheidswaarschuwingen worden beschreven. Deze risico's kunnen zich voordoen door onoordeelkundig gebruik, langdurig gebruik, enz.

Zelfs wanneer de veiligheidsvoorschriften in acht worden genomen en de veiligheidsvoorzieningen worden gebruikt, kunnen bepaalde risico's niet worden uitgesloten. Dit zijn onder meer:

- ◆ Verwondingen die worden veroorzaakt door het aanraken van draaiende of bewegende onderdelen.
- ◆ Verwondingen die worden veroorzaakt bij het vervangen van onderdelen, messen of accessoires.
- ◆ Verwondingen die worden veroorzaakt door langdurig gebruik van gereedschap. Wanneer u langere periodes met de machine werkt, kunt u het beste regelmatig een pauze nemen.
- ◆ Gehoorbeschadiging.
- ◆ Gezondheidsrisico's door het inademen van stof dat vrijkomt tijdens het gebruik van uw gereedschap (bijvoorbeeld: het werken met hout, met name eiken, beuken en MDF.)

## Trillingen

De aangegeven waarden voor trillingsemmissie in de technische gegevens en de conformiteitsverklaring zijn gemeten conform een standaardtestmethode die door EN 60745 wordt geboden. Hiermee kan het ene gereedschap met het andere worden vergeleken. De aangegeven waarde voor trillingsemmissie kan ook worden gebruikt bij een voorlopige bepaling van blootstelling.

**Waarschuwing!** De waarde voor trillingsemmissie tijdens het werkelijke gebruik van het gereedschap kan verschillen van de aangegeven waarde afhankelijk van de manieren waarop het gereedschap wordt gebruikt. Het trillingsniveau kan toenemen tot boven het aangegeven niveau.

Bij beoordeling van de blootstelling aan trillingen met het doel vast te stellen welke veiligheidsmaatregelen 2002/44/EG vereist ter bescherming van personen die tijdens hun werk regelmatig elektrisch gereedschap gebruiken, moet bij een inschatting van de blootstelling aan trillingen rekening worden gehouden met de werkelijke gebruiksomstandigheden en de manier waarop het gereedschap wordt gebruikt. Daarbij moet ook rekening worden gehouden met alle onderdelen van de bedrijfscyclus, zoals wanneer het gereedschap wordt uitgeschakeld en wanneer het gereedschap stationair loopt en ook de aanlooptijd.

## Etiketten op het gereedschap

De volgende pictogrammen worden met de datumcode op het gereedschap weergegeven:



**Waarschuwing!** De gebruiker moet de instructiehandleiding lezen zodat het risico van letsel wordt beperkt.



Draag een veiligheidsbril of oogbescherming.



Draag gehoorbescherming.



Draag een stofmasker.



Dit product mag niet worden gebruikt door kinderen onder de 16.



Geen handen zone - Houd vingers en armen uit de buurt van draaiende zaagbladen.



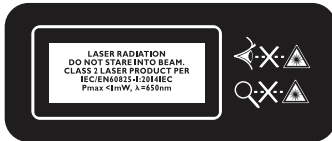
Draag handschoenen wanneer u zaagbladen vastpakt.



**Waarschuwing!** Laserstraling.



Kijk niet in de laserbundel met behulp van optische instrumenten.



## Elektrische veiligheid



Dit gereedschap is dubbel geïsoleerd. Een aardaansluiting is daarom niet noodzakelijk. Controleer altijd of de stroomvoorziening overeenkomt met de voltage op het typeplaatje.

- ◆ Als het netsnoer is beschadigd, moet dit, om ongelukken te voorkomen, worden vervangen door de fabrikant of in een Stanley Fat Max-servicecentrum.

## Functies

Dit gereedschap is voorzien van enkele of alle van de volgende functies.

1. Aan/uit-schakelaar
2. Zaagdiepteschaalverdeling
3. Klem voor het instellen van de zaagdiepte
4. Onderste beschermkap
5. Stelknop parallelle langsgleiding

6. Parallelle langsgleiding
7. Voetplaat
8. Klemflens
9. Bout zaagblad
10. Knop vergrendeling in de uit-stand en vrijgave schoen
11. Ventilatiesleuven
12. Laservizier
13. Aansluiting voor stofafzuiging
14. Knop asvergrendeling
15. Inbussleutel
16. Diamant zaagblad
17. Gehard stalen zaagblad
18. TCT-zaagblad
19. Stofafzuigslang
20. Indicator zaaglijn

## Montage

Controleer of het gereedschap, de onderdelen en accessoires mogelijk zijn beschadigd tijdens het transport. Neem even de tijd om de handleiding aandachtig te lezen en alle inhoud te begrijpen voordat u het gereedschap monteert en in gebruik neemt.

## Gebruik van het apparaat

**Waarschuwing!** Laat het gereedschap op zijn eigen snelheid werken. Overbelast het gereedschap niet.

## In- en uitschakelen (afb. A)

**Opmerking:** Controleer, voordat u de aan/uit-schakelaar bedient, het zaagblad om te zien dat het goed is geplaatst en soepel loopt, en dat de klemschroef van het zaagblad goed is vastgezet.

- ◆ Duw de knop (10) voor de vergrendeling in de uit-stand en voor vrijgave van de schoenen hef de vergrendeling op.
- ◆ Schakel het gereedschap in door de aan/uit-schakelaar (1) in te trekken.
- ◆ Schakel het gereedschap uit door de aan/uit-schakelaar (1) los te laten.

## Zaagdiepte afstellen (0 - 28,5 mm) (afb.B)

- ◆ Maak de klem (3) los.
- ◆ Stel de gewenste zaagdiepte in met behulp van de schaalverdeling (2).
- ◆ Zet de klem (3) vast.
- ◆ Er ontstaat een zaagsnede van optimale kwaliteit, wanneer het zaagblad niet meer dan 3 mm onder het werkstuk uitsteekt
- ◆ Bedenk dat de feitelijke diepte van de zaagsnede van de diamantschijf ongeveer 2 mm afwijkt van de diepte van de zaagsnede die op de schaalverdeling (2) wordt aangegeven.

**Opmerking:** Maak altijd proefzaagsneden zodat u kunt zien wat de feitelijke zaaglijn is.

**Stofafzuiging (afb. C)**

- ◆ sluit de slang (19) van de stofzuiger aan op aansluitpunt (13) en de stofzuiger, zoals wordt afgebeeld.

**Waarschuwing!** Laat nooit de slang van de stofzuiger de werking van de onderste beschermkap of de zaagverrichting belemmeren.

**Waarschuwing!** Gebruik geen stofafzuiging wanneer u metaal zaagt.

**Zaagblad verwisselen (afb. D - G)**

**Waarschuwing!** Verzeker u ervan dat, voordat u zaagbladen verwisselt of onderhoud verricht, dat het gereedschap is uitgeschakeld en is losgekoppeld van de stroomvoorziening.

- ◆ Zet de zaagdiepte op de maximumstand (afb. D).
- ◆ Gebruik de meegeleverde inbusleutel (15).
- ◆ Duw de knop (14) van de asvergrendeling in en houd deze ingedrukt (Afb. E).  
Verwijder de bout van het zaagblad (9) met de inbusleutel (15)  
NAAR RECHTS (= in dezelfde richting als de pijl afgedrukt op de beschermkap) (Afb. F).
- ◆ Zet de knop (14) van de asvergrendeling vrij.
- ◆ Verwijder de flens (8).
- ◆ Duw knop (10) in met uw duim.
- ◆ Licht voet (7) op en neem het zaagblad uit.
- ◆ Plaats het nieuwe zaagblad en let er daarbij op dat de rotatie van het zaagblad in de richting is die de pijl afgedrukt op de beschermkap aangeeft.
- ◆ Monteer de flens (8).
- ◆ Zet de bout van het zaagblad (9) stevig vast met de inbusleutel (15)  
NAAR LINKS terwijl u de knop van de asvergrendeling (14) indrukt.
- ◆ Zet de knop (14) van de asvergrendeling vrij.

**Het gereedschap bedienen (afb. H - M)**

- ◆ Stel de zaagdiepte in.
- ◆ Steek de stekker in het stopcontact.
- ◆ Duw knop (10) in met uw duim.
- ◆ Plaats het gereedschap met de voorste zijde van de voet vlak op het werkstuk.
- ◆ Kantel het gereedschap naar voren met de zaaglijnindicator (20) tegenover de gewenste zaaglijn die op het werkstuk is afgetekend (afb. H).
- ◆ Let erop dat de zaagtanden niet in het werkstuk ingrijpen.
- ◆ Schakel het gereedschap in.
- ◆ Het zaagblad mag pas in het werkstuk binnendringen wanneer het gereedschap op volle snelheid draait.

- ◆ Forceer het gereedschap niet (oefen lichte en ononderbroken druk uit zodat de punten van het zaagblad niet oververhit raken en, bij het zagen van kunststof, het kunststof materiaal niet smelt).
- ◆ Houd tijdens het werken het gereedschap altijd vast op het/de geïsoleerde greepoppervlak(ken).
- ◆ Schakel nadat de zaagsnede is voltooid het gereedschap uit door de aan/uit-schakelaar los te laten (1).
- ◆ Let erop dat u het gereedschap pas van het werkstuk moet tillen, wanneer het volledig tot stilstand is gekomen.

**Elektronische functie. Werking van de laserstraal (Afb. I)**

**Let op!** Zet de laser uit zodra u deze niet gebruikt.

Kijk nooit direct in de laserstraal, laserstralen kunnen uw ogen beschadigen.

LASER-STRALING: KIJK NOOIT IN DE LASERSTRAAL of andere KLASSE II LASER PRODUCTEN.

Trek altijd eerst de stekker uit het stopcontact als u de laser verschuift of onderhoud uitvoert.

- ◆ Schakel met de schakelaar (12a) aan de achterzijde van de laserbehuizing de laser in of uit.

**De lens van de laser reinigen**

Als de lens van de laser vuil wordt, of wanneer er zaagstof ophoopt zodat de laserlijn niet goed zichtbaar is, trek dan de stekker uit het stopcontact en reinig de lens met een vochtige zachte doek. Gebruik vooral GEEN oplosmiddelen of reinigingsmiddelen op petroleum basis, deze kunnen de lens beschadigen.

**Opmerking:** Als de laserlijn vaag is en bijna of helemaal onzichtbaar is door direct zonlicht dat door de ramen van uw werkplaats komt, verplaats de machine dan naar een plaats zonder direct zonlicht.

**Opmerking:** Alle instellingen voor de bediening van deze machine zijn in de fabriek uitgevoerd.

**Voorzichtig:** Het gebruiken van functies, het doen van aanpassingen of het uitvoeren van procedures die hier niet worden beschreven, kan leiden tot blootstelling aan gevaarlijke straling. Het gebruik van optische hulpmiddelen samen met dit product vergroot het risico op oogletsel. Probeer nooit de laser te repareren of te demonteren. Als ongekwalificeerde personen proberen de laser te repareren kan dit ernstig letsel veroorzaken.

Alle reparaties aan dit laserproduct moeten worden uitgevoerd door personeel van een gekwalificeerd servicecentrum.

**Invalzagen (afb. J)**

- ◆ Druk op knop (10).
- ◆ Schakel het gereedschap in.

**Waarschuwing!** Het zaagblad mag pas in het werkstuk binnendringen wanneer het gereedschap op volle snelheid draait.

- ◆ Kantel het gereedschap naar voren met de zaaglijninindicator (20) tegenover de gewenste zaaglijn die op het werkstuk is afgetekend. Verplaats het gereedschap geleidelijk naar voren.

**Waarschuwing!** Trek het gereedschap nooit naar achteren.

### De parallelle geleider gebruiken (afb. K)

- ◆ Voor het maken van nauwkeurige zaagsneden langs de rand van het werkstuk.
- ◆ Kan aan één van beide zijden van de voet worden ingestoken.

### De parallelle geleider afstellen

- ◆ Draai de knop (5) los
- ◆ Stel de parallelle geleider af op de gewenste zaagbreedte met behulp van de schaalverdeling (gebruik de zaaglijninindicator (20) als 0-referentie).
- ◆ Draai de knop (5) vast.

### Tips voor optimaal gebruik

- ◆ Gebruik alleen de scherpe zaagbladen van het juiste type en de juiste afmeting (afb. L).
- ◆ Gebruik een zaagblad (17) van gehard staal voor het zagen van hout, aluminium, kunststof en alle soorten gelamineerd hout
- ◆ Zaag keramiek en tegels met een diamantzaag (16)
- ◆ Zaag met een zaagblad met carbide-tip uitsluitend hout en kunststof (18)

### Grote panelen zagen (afb. M)

- ◆ Ondersteun het paneel dichtbij de zaagsnede op de vloer, op een tafel of een werkbank.

**Waarschuwing!** Stel de zaagdiepte zo in dat u door het paneel zaagt

maar niet door de ondersteuning.

- ◆ In het geval dat een zaagbreedte met de parallelle geleider niet mogelijk is, klem of spijker dan een recht stuk hout als geleider op het werkstuk en gebruik de rechterzijde van de voet tegen deze geleider.

### Splintervrij zagen

- ◆ Leg altijd de goede zijde van het werkstuk omlaag - bevestigd door middel van 2 klemmen een recht stuk hout op het werkstuk.

### Zagen van zeer hard of schurend materiaal

#### Zacht plaatmateriaal

- ◆ Zet de diepteafstelling op ten minste 1 mm meer dan de dikte van het materiaal zodat het zaagblad niet over het oppervlak kan glijden. Er moet afvalmateriaal onder het werkoppervlak worden gelegd.

- ◆ Verwijder bramen en roest omdat deze het doorvoeren van het materiaal kunnen verhinderen.
- ◆ Dikke bijenwas (meubelwas) aangebracht op de grondplaat van het gereedschap maakt het zagen van metaal gemakkelijker.
- ◆ Alleen geschikt voor het zagen van messing, koper, lood of aluminium.
- ◆ Het werk moet steeds na 2 minuten zagen van metaal ten minste 3 minuten worden onderbroken.

### Keramische tegels, plavuizen, enz.

- ◆ Gebruik alleen een zaagblad dat speciaal ontworpen is voor dit doel.
- ◆ Werk altijd met een geschikte stofzuiger of een systeem voor stofafzuiging omdat het stof gevaarlijk kan zijn voor de gebruiker en de goede werking van de beschermkap kan belemmeren.

### Spaanplaat:

- ◆ De invalzaag kan het beste slechts zo nu en dan worden gebruikt voor het zagen van gaten in spaanplaat en moet altijd worden gebruikt in combinatie met een geschikte stofzuiger of een geschikt stofafzuigstelsel. Het stof kan de goede werking van de beschermkap belemmeren.
- ◆ Conventioneel gereedschap zoals schrobzagen of messen geven over het algemeen uitstekende resultaten, maar de invalzaag kan worden gebruikt als een bijzonder fijne, stofvrije zaagsnede nodig is, of als het gevaar bestaat dat door leidingen of kabels wordt gezaagd.

### Onderhoud

Uw Stanley Fat Max-gereedschap/-apparaat (met netsnoer/snoerloos) is ontworpen om gedurende langere tijd te functioneren met een minimum aan onderhoud. Het continu naar tevredenheid functioneren hangt af van de juiste zorg voor het gereedschap en regelmatige reiniging.

**Waarschuwing!** Ga altijd als volgt te werk voor u onderhoud aan het gereedschap (met snoer/snoerloos) uitvoert:

- ◆ Schakel de machine/het apparaat uit en trek de stekker uit het stopcontact.
- ◆ Of schakel de machine/het gereedschap uit en neem de accu uit, als de machine/het gereedschap een aparte accu heeft.
- ◆ Of maak de accu helemaal leeg, als de accu is ingebouwd en schakel de machine uit.
- ◆ Reinig regelmatig de ventilatieopeningen van het gereedschap/apparaat/lader met een zachte borstel of droge doek.
- ◆ Reinig de behuizing van de motor regelmatig met een vochtige doek.  
Gebruik niet een schurend schoonmaakmiddel of een schoonmaakmiddel op basis van een oplosmiddel.

**Waarschuwing!** Als één van de volgende voorvallen zich voordoet tijdens normale werkzaamheden met het gereedschap, moet de stroomvoorziening onmiddellijk worden uitgeschakeld en moet het gereedschap grondig worden geïnspecteerd door een gekwalificeerde monteur en, zo nodig, worden gerepareerd.

- ◆ De roterende onderdelen lopen vast of de snelheid loopt uitzonderlijk terug.
- ◆ Het gereedschap schudt buitengewoon heftig en dat gaat gepaard met ongewone geluiden.
- ◆ De motorbehuizing wordt uitzonderlijk heet.
- ◆ Er zijn grote vonken zichtbaar rond de motorbehuizing

**Netstekker vervangen (alleen VK en Ierland)**

Als er een nieuwe netstekker moet worden gemonteerd:

- ◆ Gooi de oude stekker op verantwoorde wijze weg.
- ◆ Verbind de bruine draad met de spannings-/fasepool in de nieuwe stekker.
- ◆ Verbind de blauwe draad met de nul-/neutraalpool.

**Waarschuwing!** Er moet geen verbinding tot stand worden gebracht met de aardeaansluiting. Volg de bevestigingsinstructies die bij stekkers van goede kwaliteit worden geleverd. Aanbevolen zekering: 5 A.

**Het milieu beschermen**



Gescheiden afvalinzameling. Producten en accu's waarop dit symbool is aangebracht, mogen niet bij het normale huishoudafval worden weggegooid.

Producten en accu's bevatten materialen die kunnen worden teruggewonnen of gerecycled en dat doet de vraag naar grondstoffen .

Recycle elektrische producten en accu's volgens de ter plaatse geldende bepalingen. Nadere informatie is beschikbaar op [www.2helpU.com](http://www.2helpU.com)

**Technische gegevens**

		<b>FME380</b>
Spanning	V <sub>AC</sub>	230
Snelheid onbelast	min <sup>-1</sup>	4500
Zaagbladgrootte	mm	89
Max. zaagdiepte (zacht hout)	mm	28,5
Max. zaagdiepte (tegels)	mm	8
Max. zaagdiepte (aluminium)	mm	3

<b>Geluidsdrukniveau, volgens EN 60745:</b>
Werking cirkelzaag: Geluidsdruk (L <sub>p</sub> ) 90 dB(A), meetonzekerheid (K) 3 dB(A)
Geluidsvermogen (L <sub>w</sub> ) 101 dB(A), meetonzekerheid (K) 3 dB(A)
Werking afkortzaag: (L <sub>p</sub> ) 97 dB(A) , meetonzekerheid (K) 3 m/s <sup>2</sup>
Geluidsvermogen (L <sub>w</sub> ) 108 dB(A), meetonzekerheid (K) 3 dB(A)

<b>Totale trillingswaarden (som triaxvector) volgens EN 60745:</b>
Hout zagen (a <sub>v</sub> ) 2,4 m/s <sup>2</sup> , meetonzekerheid (K) 1,5 m/s <sup>2</sup>
Metaal zagen (a <sub>h,M</sub> ) <sup>1,55 m/s<sup>2</sup></sup> 2, meetonzekerheid (K) 1,5 m/s <sup>2</sup>
Betonplaat zagen (a <sub>v</sub> ) 5,5 m/s <sup>2</sup> , meetonzekerheid (K) 1,5 m/s <sup>2</sup>

**EG conformiteitsverklaring**  
RICHTLIJN VOOR MACHINES



FME380 Compacte multi-materiaal zaag

Stanley Europe verklaart dat deze producten, die worden beschreven onder "Technische gegevens", voldoen aan: 2006/42/EC, EN62841-1:2015, EN 62841-2-5:2014

Deze producten voldoen tevens aan richtlijn 2014/30/EU en 2011/65/EU. Neem voor meer informatie contact op met Stanley Europe op het volgende adres of raadpleeg de achterzijde van de handleiding.

Ondergetekende is verantwoordelijk voor de compilatie van het technische bestand en geeft deze verklaring namens Stanley Europe af.

R. Laverick  
Engineering Manager  
Stanley Europe, Egide Walschaertsstraat14-18,  
2800 Mechelen, België  
23-8-2016

**Garantie**

Stanley Europe heeft vertrouwen in zijn producten en biedt consumenten een garantie van 12 maanden vanaf de datum van aankoop. Deze garantie vormt een aanvulling op uw wettelijke rechten en beperken deze niet. De garantie is geldig op het grondgebied van de Lidstaten van de Europese Unie en de Europese Vrijhandelszone.

Voor een garantie-aanspraak moet uw aanspraak in overeenstemming zijn met de Voorwaarden en Condities van Stanley Europa en moet u een bewijs van aankoop overleggen aan de verkoper of aan een geautoriseerde reparatiemonteur. Voorwaarden en condities van de 1-jarige garantie van Stanley Europa en het adres van de vestiging van het geautoriseerde reparatiecentrum bij u in de buurt, kunt u vinden op internet op [www.2helpU.com](http://www.2helpU.com) of

door contact op te nemen met het Stanley FatMax-kantoor ter plaatse, op het adres dat in deze handleiding wordt vermeld.

Ga naar onze website [www.stanley.eu/3](http://www.stanley.eu/3) en registreer uw nieuwe product van Stanley Fat Max en ontvang informatie over nieuwe producten en speciale aanbiedingen.

## Uso previsto

La sierra compacta multimaterial FME380 de Fat Max ha sido diseñada para efectuar cortes longitudinales y transversales en madera, tableros de aglomerado, madera contrachapada, aluminio, baldosas, piedra, plástico y materiales livianos de construcción, sujetos en una posición fija. Esta herramienta ha sido concebida únicamente para cortes breves. Esta herramienta ha sido concebida para usuarios profesionales y para usuarios no profesionales privados.

## Instrucciones de seguridad

### Advertencias de seguridad generales para herramientas eléctricas



**Advertencia.** Lea todas las advertencias de seguridad y todas las instrucciones. En caso de no atenerse a las siguientes advertencias e instrucciones de seguridad, podría producirse una descarga eléctrica, incendio o lesión grave.

**Guarde todas las advertencias e instrucciones para futuras consultas.** El término "herramienta eléctrica" que aparece en las advertencias se refiere a la herramienta eléctrica que funciona a través de la red eléctrica (con cable) o a la herramienta eléctrica que funciona con batería (sin cable).

#### 1. Seguridad del área de trabajo

- a. **Mantenga limpia y bien iluminada el área de trabajo.** Las áreas en desorden u oscuras pueden provocar accidentes.
- b. **No utilice herramientas eléctricas en entornos con peligro de explosión, como aquellos en los que haya líquidos, gases o material en polvo inflamables.**

Las herramientas eléctricas originan chispas que pueden inflamar el polvo o los gases.

- c. **Mantenga alejados a los niños y a otras personas del área de trabajo al emplear la herramienta eléctrica.** Las distracciones pueden ocasionar que pierda el control.

#### 2. Seguridad eléctrica

- a. **El enchufe de la herramienta eléctrica debe corresponder a la toma de corriente utilizada. No modifique nunca el enchufe de ninguna forma. No utilice ningún enchufe adaptador con las herramientas eléctricas conectadas a tierra.** Los enchufes no modificados y las tomas de corriente correspondientes reducirán el riesgo de descarga eléctrica.
- b. **Evite que su cuerpo toque partes conectadas a tierra como tuberías, radiadores, cocinas y refrigeradores.** Existe un mayor riesgo de descarga eléctrica si su propio cuerpo está conectado a tierra.
- c. **No exponga las herramientas eléctricas a la lluvia y evite que penetren líquidos en su interior.** Si entra agua a una herramienta eléctrica aumentará el riesgo de descarga eléctrica.
- d. **Cuide el cable de alimentación. No use nunca el cable para transportar, tirar de la herramienta eléctrica o desenchufarla. Mantenga el cable alejado del calor, aceite, bordes afilados y piezas en movimiento.** Los cables dañados o enredados aumentan el riesgo de descarga eléctrica.
- e. **Al trabajar con la herramienta eléctrica en la intemperie utilice solamente cables de prolongación homologados para su uso en exteriores.** La utilización de un cable adecuado para el uso en exteriores reduce el riesgo de descarga eléctrica.
- f. **Si la utilización de una herramienta eléctrica en un lugar húmedo es inevitable, utilice una fuente protegida con un dispositivo de corriente residual (RCD).** El uso de un dispositivo de corriente residual reduce el riesgo de descarga eléctrica.

#### 3. Seguridad personal

- a. **Esté atento a lo que hace y emplee la herramienta eléctrica con prudencia. No maneje una herramienta eléctrica cuando esté cansado o bajo los efectos de drogas, medicamentos o alcohol.** Un momento de falta de atención cuando se manejan las herramientas eléctricas puede ocasionar lesiones personales graves.
- b. **Utilice un equipo de protección personal. Utilice siempre protección ocular.** El uso del equipo protector como mascarillas antipolvo, calzado antideslizante, casco o protección auditiva para condiciones apropiadas reducirá las lesiones personales.

- c. **Evite que la herramienta se ponga en marcha accidentalmente. Asegúrese de que el interruptor se encuentre en la posición de apagado antes de conectar la herramienta a la fuente de alimentación o a la batería, o de coger o transportar la herramienta.** Transportar herramientas eléctricas con el dedo puesto en el interruptor o herramientas eléctricas activadoras que tengan el interruptor encendido puede provocar accidentes.
- d. **Retire las herramientas de ajuste o llaves fijas antes de conectar la herramienta eléctrica.** Dejar una llave inglesa u otra llave puesta en una pieza en movimiento de la herramienta eléctrica puede ocasionar lesiones personales.
- e. **Sea precavido. Mantenga un equilibrio adecuado y la estabilidad constantemente.** Esto permite un mejor control de la herramienta eléctrica en situaciones inesperadas.
- f. **Lleve puesta una vestimenta de trabajo adecuada. No se ponga ropa suelta o joyas. Mantenga el cabello, la ropa y los guantes alejados de las piezas en movimiento.** La ropa suelta, las joyas y el pelo largo pueden quedar atrapados en las piezas en movimiento.
- g. **Siempre que sea posible utilizar unos equipos de aspiración o captación de polvo, asegúrese de que estén montados y se utilicen correctamente.** El uso de equipo de recogida de polvo puede reducir los riesgos relacionados con el polvo.

#### 4. Uso y cuidado de herramientas eléctricas

- a. **No sobrecargue la herramienta eléctrica. Use la herramienta eléctrica correcta para su trabajo.** La herramienta eléctrica correcta funcionará mejor y con mayor seguridad si se utiliza de acuerdo con sus características técnicas.
- b. **No utilice herramientas eléctricas con un interruptor defectuoso.** Toda herramienta eléctrica que no pueda controlarse con el interruptor es peligrosa y debe ser reparada.
- c. **Desconecte el enchufe de la herramienta eléctrica de la fuente de alimentación y la batería antes de realizar cualquier ajuste, cambiar accesorios o guardar la herramienta.** Dichas medidas de seguridad preventivas reducen el riesgo de poner en marcha accidentalmente la herramienta eléctrica.
- d. **Guarde las herramientas eléctricas fuera del alcance de los niños y de las personas que no estén familiarizadas con su uso.** Las herramientas eléctricas son peligrosas en manos de personas no capacitadas.
- e. **Realice el mantenimiento de sus herramientas eléctricas.**

**Controle si funcionan correctamente, sin atascarse, las partes móviles de la herramienta eléctrica, y si existen partes rotas o deterioradas que pudieran afectar al funcionamiento de la herramienta. Si la herramienta eléctrica está dañada, llévela para que sea reparada antes de utilizarla.** Se ocasionan muchos accidentes por el mal mantenimiento de las herramientas eléctricas.

- f. **Mantenga las herramientas de corte limpias y afiladas.** Hay menos probabilidad de que las herramientas de cortar con bordes afilados se bloqueen, y son más fáciles de controlar.
  - g. **Utilice la herramienta eléctrica, los accesorios, los útiles de la herramienta, etc. de acuerdo con estas instrucciones, y tenga en cuenta las condiciones de trabajo y la tarea que se va a realizar.** El uso de la herramienta eléctrica para operaciones que no sean las previstas puede ocasionar una situación peligrosa.
- #### 5. Reparaciones
- a. **Esta herramienta eléctrica puede ser reparada solo por personal técnico autorizado que emplee exclusivamente piezas de repuesto originales.** Así se asegurará que se mantenga la seguridad de la herramienta eléctrica.

### Instrucciones de seguridad para todas las sierras

#### Procedimientos de corte



**Atención: Mantenga las manos alejadas de la zona de corte y de la hoja. Mantenga una de las manos en el mango auxiliar o en la carcasa del motor.** Si mantiene las dos manos sobre la sierra, evitará cortarse con la hoja.

- ◆ **No toque desde debajo de la pieza de trabajo.** El protector no podrá protegerlo del disco por debajo de la pieza de trabajo.
- ◆ **Ajuste la profundidad de corte al grosor de la pieza de trabajo.** Deberá verse menos de un diente completo del disco por debajo de la pieza de trabajo.
- ◆ **Nunca sostenga la pieza que está cortando en sus manos ni sobre una pierna. Asegure la pieza de trabajo en una plataforma estable.** Es importante apoyar el trabajo adecuadamente para reducir al mínimo la exposición corporal, el cimbreo de la hoja o la pérdida de control.
- ◆ **Sostenga la herramienta eléctrica por las superficies de agarre aisladas cuando realice una operación en la que el accesorio de corte pueda estar en contacto con un cable oculto o con su propio cable.**



El contacto del accesorio de corte con un cable conectado a la red eléctrica podría hacer que las partes metálicas de la herramienta transmitieran esa electricidad y producir una descarga al usuario.

- ◆ **Cuando corte en dirección a la veta, utilice siempre una guía de corte.** De esta manera, mejorará la precisión del corte y reducirá la posibilidad de que el disco se bloquee.
- ◆ **Utilice siempre hojas con la forma (diamante frente a redonda) y el tamaño de agujeros del eje correctos.** Las hojas que no coincidan con los elementos de montaje de la sierra funcionarán de forma excéntrica, lo que causará una pérdida de control.
- ◆ **No utilice nunca arandelas o pernos de hoja dañados o incorrectos.** El perno y las arandelas de la hoja se han diseñado específicamente para que esta hoja de forma tenga un funcionamiento seguro y un rendimiento óptimo.



**Advertencia.** El contacto o la inhalación del polvo procedente de las aplicaciones de la sierra puede suponer un peligro para la salud del usuario y de cualquier otra persona que se encuentre a su alrededor. Utilice una mascarilla antipolvo diseñada específicamente para proteger contra el polvo y los vapores y asegúrese de que las demás personas que se encuentren dentro del área de trabajo o que vayan a entrar en ella también estén protegidas.

- ◆ Elimine a fondo todo el polvo después de aserrar.
- ◆ No permita la entrada de niños ni de mujeres embarazadas al área de trabajo.
- ◆ No ingiera alimentos ni bebidas, ni fume en el área de trabajo.
- ◆ Deshágase de las partículas de polvo y demás residuos de un modo seguro.
- ◆ En este manual se describe el uso previsto. La utilización de accesorios o dispositivos auxiliares o la realización de operaciones distintas a las recomendadas en este manual de instrucciones para esta herramienta puede presentar riesgo de lesiones personales y/o de daños materiales.
- ◆ El accesorio seguirá moviéndose después de soltar el interruptor. Apague la herramienta y espere siempre a que el accesorio se detenga completamente antes de dejar la herramienta.
- ◆ **Mantenga las hojas afiladas.** Las hojas flojas o dañadas pueden provocar que la sierra dé un viraje brusco o se paralice al ejercer la presión para el corte. Utilice siempre el tipo de hoja de sierra apropiado para cada material de trabajo y tipo de corte.
- ◆ Al cortar una tubería o conducto, asegúrese de que no contenga restos de agua, cableado eléctrico, etc.
- ◆ No toque la pieza de trabajo ni la hoja justo después de utilizar la herramienta.

Pueden alcanzar temperaturas muy elevadas.

- ◆ Tenga en cuenta los peligros ocultos, antes de serrar paredes, suelos o techos, compruebe la ubicación del cableado y las tuberías.
- ◆ Evite cortar clavos, controle el material que va a cortar para ver si tiene clavos y extráigalos antes del corte.
- ◆ No ponga en funcionamiento la herramienta eléctrica mientras la lleva a su lado.
- ◆ Compruebe que la palanca de bloqueo de profundidad esté apretada y firme antes de efectuar un corte.
- ◆ Cuando el disco se bloquee o cuando interrumpa un corte, suelte inmediatamente el activador y no mueva la sierra del material que está cortando hasta que el disco se haya detenido por completo. Nunca intente quitar la sierra del trabajo o tirar de ella hacia atrás mientras esté en movimiento; si lo hace, puede producirse una inversión de giro.

## Instrucciones de seguridad adicionales para todas las sierras

### Causas del retroceso y advertencias relacionadas

- ◆ Una inversión de giro o rebote es una reacción repentina provocada por una hoja de sierra comprimida, atascada mal alineada, que hace que una sierra se levante de forma incontrolada y se aleje de la pieza de trabajo hacia el usuario.
- ◆ Cuando la hoja está comprimida o muy atascada por el cierre de la placa de corte, se para y la reacción del motor empuja la unidad rápidamente hacia atrás en dirección al operador.
- ◆ Si la hoja se retuerce o está mal alineada durante el corte, los dientes del borde posterior de la hoja pueden clavarse en la zona superior de la madera, lo que hará que la hoja remonte la entalladura y salte hacia atrás en dirección al usuario.

El retroceso se debe a la utilización inadecuada y/o procedimientos o condiciones de trabajo incorrectos y puede evitarse tomando las precauciones que se detallan a continuación.

- ◆ **Mantenga asida firmemente la sierra con ambas manos y ponga los brazos de tal manera que puedan resistir la fuerza de un retroceso. Coloque el cuerpo a ambos lados de la hoja, pero nunca en línea con ella.** La inversión de giro puede provocar que la sierra salte hacia atrás. No obstante, el usuario puede controlar las fuerzas de inversión de giro si toma las precauciones adecuadas.
- ◆ **Cuando el disco se bloquea o cuando interrumpe un corte, suelte el activador y no mueva la sierra del material que está cortando hasta que el disco se haya detenido por completo.**

Nunca intente quitar la sierra del trabajo o tirar de ella hacia atrás mientras esté en movimiento, ya que de lo contrario podría producirse una inversión de giro. Investigue y tome medidas correctivas para eliminar la causa del trabado de la hoja.

- ◆ **Cuando vuelva a poner en marcha la sierra sobre la pieza de trabajo, centre la sierra en la entalladura y compruebe que los dientes no estén enganchados con el material.** Si la hoja de la sierra está bloqueada, puede que se levante o retroceda al volver a arrancar la sierra.
- ◆ **Sujete los paneles grandes para reducir al mínimo el riesgo de que el disco se comprima e invierta el giro.** Los paneles grandes tienen tendencia a combarse por su propio peso. Es necesario colocar apoyos debajo del panel a ambos lados, cerca de la línea del corte y cerca del borde del panel.
- ◆ **No utilice hojas desafiladas ni dañadas.** Las hojas sin afilar o que están mal colocadas abren una muesca estrecha que produce una fricción excesiva, el bloqueo de la hoja y el retroceso de esta.
- ◆ **Las palancas de bloqueo del ajuste de bisel y de profundidad de la hoja deben estar bien apretadas y firmes antes de realizar el corte.** Si el ajuste del disco varía durante el proceso de corte, puede producirse un bloqueo y un retroceso.
- ◆ **Adopte medidas de precaución extraordinarias cuando sierre en muros u otras zonas ciegas.** Si la hoja sobresale puede cortar objetos que causen un retroceso.

### Función del protector inferior

- ◆ **Antes de cada uso, compruebe que el protector esté bien cerrado. No ponga en funcionamiento la sierra si el protector no se mueve libremente y no encierra la hoja al instante. No enganche ni ate nunca el protector de modo que la hoja quede expuesta.** Si la sierra se cae accidentalmente, el protector puede curvarse. Asegúrese de que el protector se mueva libremente en todos los ángulos y profundidades de corte y de que no toque la hoja ni ninguna otra pieza.
- ◆ **Compruebe el funcionamiento del muelle del protector inferior. Si el protector y el muelle no funcionan correctamente, deben repararse antes de utilizar la herramienta.** El protector inferior puede funcionar con lentitud debido a piezas dañadas, depósitos pegajosos o acumulación de suciedad.
- ◆ **El protector inferior sólo debe retraerse manualmente en casos especiales como los “cortes directos” o los “cortes compuestos”.** Suba el protector inferior con la empuñadura de retroceso en cuanto la hoja se introduzca en el material, y el protector inferior deberá liberarse. Para las demás operaciones de la sierra, el protector inferior deberá funcionar automáticamente.

- ◆ **Antes de poner la sierra en un banco de trabajo o en el suelo, asegúrese de que el protector inferior cubra la hoja.** Una hoja deslizante y sin protección puede hacer que la sierra retroceda y corte todo lo que encuentre en su camino. Tenga en cuenta el tiempo que la hoja tarda en detenerse después de desactivar el interruptor.

### Hojas de la sierra

- ◆ No utilice hojas de un diámetro mayor o menor del recomendado. Para conocer la capacidad de corte exacta, consulte las especificaciones técnicas. Utilice solo las hojas especificadas en este manual, que cumplen lo dispuesto en la norma EN 847-1.
- ◆ **Advertencia.** No utilice nunca discos abrasivos.

### Seguridad de otras personas

- ◆ Ninguna persona (incluidos los niños a partir de 8 años de edad) con capacidades físicas, sensoriales o mentales disminuidas, o que carezca de experiencia y conocimientos, debe utilizar esta herramienta, salvo que haya recibido supervisión o formación con respecto al uso del aparato de una forma segura y que comprenda los peligros que entraña.
- ◆ Los niños no deben jugar con la herramienta. Ningún niño deberá realizar las tareas de limpieza y mantenimiento, salvo que lo hagan bajo supervisión.

### Riesgos residuales

El uso de esta herramienta puede producir riesgos residuales adicionales no incluidos en las advertencias de seguridad adjuntas. Estos riesgos se pueden generar por un uso incorrecto, demasiado prolongado, etc. El cumplimiento de las normas de seguridad correspondientes y el uso de dispositivos de seguridad no evitan ciertos riesgos residuales. Dichos riesgos incluyen:

- ◆ Lesiones producidas por el contacto con piezas móviles o giratorias.
- ◆ Lesiones producidas al cambiar cualquier pieza, hoja o accesorio.
- ◆ Lesiones producidas al usar una herramienta por un tiempo demasiado prolongado. Si utiliza una herramienta durante periodos de tiempo demasiado prolongados, asegúrese de realizar pausas con frecuencia.
- ◆ Deterioro auditivo.
- ◆ Riesgos para la salud causados por la respiración del polvo generado por el uso de la herramienta (por ejemplo, al trabajar con madera, especialmente roble, haya, tablero semiduro de fibras).

### Vibración

Los valores de emisión de vibraciones declarados en el apartado de características técnicas y en la declaración de conformidad se han calculado según un método de prueba

estándar proporcionado por la norma EN 60745 y podrán utilizarse para comparar una herramienta con otra. El valor de emisión de vibraciones especificado también puede utilizarse en una evaluación preliminar de la exposición.

**Advertencia.** El valor de emisión de vibraciones durante el funcionamiento real de la herramienta eléctrica puede diferir del valor declarado en función de cómo se utilice dicha herramienta. El nivel de las vibraciones puede aumentar por encima del nivel declarado.

Al evaluar la exposición a las vibraciones con el fin de determinar las medidas de seguridad que exige la directiva 2002/44/CE para proteger a las personas que utilizan periódicamente herramientas eléctricas en el entorno laboral, deberá tenerse en cuenta una estimación de la exposición a las vibraciones, las condiciones de uso reales y el modo de empleo de la herramienta, así como los pasos del ciclo operativo como, por ejemplo, el número de veces que la herramienta se apaga, el tiempo que está parada y el tiempo de activación.

### Etiquetas en la herramienta

Los siguientes pictogramas están colocados, junto al código, en la herramienta:



**Advertencia.** Para reducir el riesgo de lesiones, el usuario debe leer el manual de instrucciones.



Utilice gafas de seguridad.



Póngase protección auditiva.



Utilice una mascarilla antipolvo.



Los menores de 16 años no deben utilizar este producto.



Zona prohibida para las manos: mantenga los dedos y los brazos alejados de las hojas giratorias de la sierra.



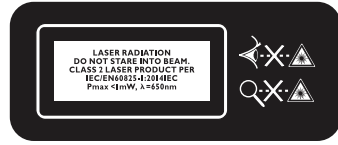
Utilice guantes para manipular las hojas de sierra.



**Advertencia.** Radiación del láser.



No utilice instrumentos ópticos para mirar el rayo láser directamente.



### Seguridad eléctrica



Esta herramienta lleva un doble aislamiento; por lo tanto, no requiere una toma de tierra. Compruebe siempre que el voltaje suministrado corresponda al indicado en la placa de características.

- ◆ Si se daña el cable de alimentación, debe ser sustituido por el fabricante o en un centro de asistencia técnica autorizado de Stanley Fat Max para evitar cualquier situación de riesgo.

### Características

Esta herramienta incluye parte o la totalidad de estas características.

1. Interruptor de encendido/apagado del disparador
2. Escala de profundidad de corte
3. Abrazadera para configurar la profundidad de corte
4. Protector inferior
5. Botón de ajuste de la guía paralela
6. Guía paralela
7. Plataforma
8. Brida de sujeción
9. Perno de la hoja
10. Botón de liberación del bloqueo del activador y de la base
11. Ranuras de ventilación
12. Vista láser
13. Conexión para extracción de polvo
14. Botón de bloqueo del eje
15. Llave hexagonal
16. Hoja de sierra diamantada
17. Hoja de sierra de acero endurecido
18. Hoja de sierra TCT
19. Manguera de extracción de polvo
20. Indicador de línea de corte

### Ensamblaje

Compruebe si la herramienta, las piezas o los accesorios han sufrido algún daño durante el transporte. Tómese el tiempo de leer atentamente este manual y de comprender todo su contenido antes de montar y hacer funcionar la herramienta.

### Uso

**Advertencia.** Deje que la herramienta funcione a su ritmo.

No la sobrecargue.

### Encendido y apagado (Fig. A)

**Nota:** Antes de pulsar el botón de encendido/apagado, controle la sierra para ver si está bien colocada y si funciona sin problemas y si el tornillo de bloqueo de la hoja está bien apretado.

- ◆ Pulse el botón de liberación del bloqueo del activador y de la base (10) para liberar el activador.
- ◆ Encienda la herramienta tirando del activador (1).
- ◆ Apague la herramienta soltando el activador (1).

### Ajuste de la profundidad de corte (0-28.5 mm)

#### (Fig. B)

- ◆ Afloje la abrazadera (3).
- ◆ Establezca la profundidad de corte deseada usando la escala (2).
- ◆ Apriete la abrazadera (3).
- ◆ Para una óptima calidad de corte, la hoja no debería extenderse más de 3 mm por debajo de la pieza de trabajo.
- ◆ Tenga cuidado pues la profundidad real de corte del disco diamantado varía aprox. 2 mm respecto de la profundidad de corte indicada en la escala (2).

**Nota:** Haga siempre cortes de prueba antes de verificar la línea real de corte.

### Aspiración de polvo (Fig. C)

- ◆ conecte la manguera del aspirador (19) a la conexión (13) y el aspirador como se muestra en la figura.

**Advertencia.** Nunca deje que la manguera del aspirador interfiera con

con el protector inferior o con la operación de corte.

**Advertencia.** Cuando corte metal, no utilice aspirador.

### Cambiar la hoja de la sierra (Fig. D - G)

**Advertencia.** Antes de cambiar las hojas o de realizar cualquier mantenimiento, compruebe que la herramienta esté apagada y desconéctela de la alimentación.

- ◆ Establezca la profundidad de corte al máximo (Fig. D).
- ◆ Use la llave hexagonal (15) suministrada.
- ◆ Pulse el botón de bloqueo del eje (14) y manténgalo pulsado (Fig. E).

Retire el pernos de la hoja (9) girando la llave hexagonal (15).

EN SENTIDO HORARIO (= en la misma dirección de la flecha impresa en el protector) (Fig. F).

- ◆ Suelte el botón bloqueo del eje (14).
- ◆ Extraiga la brida (8)
- ◆ Pulse el botón (10) con el pulgar.
- ◆ Levante el pie (7) y extraiga la hoja.

- ◆ Instale la nueva hoja comprobando que gire en la misma dirección de la flecha impresa en el protector.
- ◆ Monte la brida (8)
- ◆ Apriete bien el perno de la hoja (9) girándolo con la llave hexagonal (15) EN SENTIDO ANTIHORARIO mientras pulsa el botón de bloqueo del eje (14).
- ◆ Suelte el botón bloqueo del eje (14).

### Funcionamiento de la herramienta (Fig. H - M)

- ◆ Establezca la profundidad de corte.
- ◆ Conecte el enchufe a la fuente de alimentación.
- ◆ Pulse el botón (10) con el pulgar.
- ◆ Coloque la herramienta con el frontal del pie contra la pieza de trabajo.
- ◆ Incline la herramienta hacia adelante alineando el indicador de línea de corte (20) con la línea deseada de corte marcada en la pieza de trabajo (Fig. H).
- ◆ Compruebe que los dientes de la sierra no se atasquen en la pieza de trabajo.
- ◆ Encienda la herramienta.
- ◆ La herramienta debe funcionar a máxima velocidad antes de que la hoja entre en contacto con la pieza de trabajo.
- ◆ No fuerce la herramienta (aplique una presión ligera y continua para evitar que se recalienten las puntas de la hoja y, en caso de cortar plástico, para evitar que este se derrita).
- ◆ Mientras trabaja, sostenga siempre la herramienta por las partes de agarre aisladas.
- ◆ Después de completar el corte, apague la herramienta soltando el activador (1).
- ◆ Compruebe que la hoja se haya detenido completamente antes de levantar la herramienta de la pieza de trabajo.

### Función electrónica. Acción del rayo láser (Fig. I)

**Precaución.** Cuando no use el láser, compruebe haberlo apagado.

Nunca mire directamente hacia el rayo láser, el rayo láser puede dañar los ojos.

RADIACIÓN LÁSER: NO FIJE EL RAYO NI NINGÚN PRODUCTO LÁSER DE CLASE II.

Antes de desplazar la línea láser o de realizar algún ajuste de mantenimiento, asegúrese de haber desenchufado la herramienta.

- ◆ Para encender o apagar el láser, desactive el interruptor (12a) de la parte posterior de la carcasa del láser.

### Limpiar la lente de la luz láser

Si la lente del láser se ensucia o se adhiere serrín en ella y la línea láser deje de ser fácilmente visible, desenchufe la sierra y limpie la lente cuidadosamente con un paño húmedo y suave.

No utilice disolventes ni limpiadores a base de petróleo para limpiar la lente.

**Nota:** Cuando la línea láser está borrosa o total o parcialmente invisible debido a la luz directa del sol de una ventana interior o exterior de la zona de trabajo, desplace la zona de trabajo hacia un lugar no expuesto a la luz solar.

**Nota:** Todos los ajustes para el funcionamiento de esta máquina han sido realizados en la fábrica.

**Precaución:** El uso de controles, ajustes o ejecución de los procedimientos, distintos a los indicados en la presente podrán provocar una exposición peligrosa a la radiación. El uso de instrumentos ópticos con este producto aumentan los riesgos para la vista. No intente reparar o desmontar el láser. Si personas no calificadas intentan reparar el producto láser, este puede causar lesiones graves. Cualquier reparación necesitaría del producto láser deberá ser efectuada por personal del centro de servicios autorizado.

### Corte de profundidad (Fig. J)

- ◆ Pulse el botón (10).
- ◆ Encienda la herramienta.

**Advertencia.** La herramienta debe funcionar a máxima velocidad antes de que la hoja entre en contacto con la pieza de trabajo.

- ◆ Incline la herramienta hacia adelante alineando el indicador de línea de corte (20) con la línea deseada de corte marcada en la pieza de trabajo. Desplace gradualmente la herramienta hacia adelante.

**Advertencia.** Nunca tire la herramienta hacia atrás.

### Uso de la guía paralela (Fig. K)

- ◆ Para marcar cortes exactos a lo largo del borde de una pieza de trabajo.
- ◆ Se puede insertar en cualquiera de los lados del pie.

### Ajuste de la guía paralela

- ◆ Afloje el botón (5).
- ◆ Ajuste el ancho de corte deseado usando la escala de la guía paralela (use el indicador de la línea de corte (20) como referencia 0).
- ◆ Apriete el botón (5).

### Consejos por un uso óptimo

- ◆ Use solo hojas afiladas del tipo y del tamaño correctos (Fig. L).
- ◆ Use hojas de acero endurecido (17) para cortar madera, aluminio, plástico y todo tipo de madera laminada.
- ◆ Use hojas diamantadas para (16) cortar cerámica y baldosas.
- ◆ Use hojas de punta de carbono (18) para cortar madera y plástico solamente.

### Corte de paneles grandes (Fig. M)

- ◆ Sostenga el panel cerca del corte, en el suelo, la mesa o el banco de trabajo.

**Advertencia.** Establezca la profundidad de corte para cortar por el panel y no el soporte.

- ◆ En caso de que la guía paralela no permita el ancho de corte deseado, fije o clave una pieza de madera recta a la pieza de trabajo como guía, y use el lado derecho del pie contra esta guía.

### Corte sin astillas

- ◆ Mantenga siempre la parte buena de la pieza de trabajo mirando hacia abajo, y sujete una pieza de madera recta a la pieza de trabajo con 2 abrazaderas.

### Corte de materiales duros o abrasivos

#### Hoja de metal blando

- ◆ Establezca siempre el ajuste de profundidad por lo menos 1 mm más profundo que el espesor del material para evitar que la hoja suba por encima de la superficie. Debe colocar material de desecho debajo de la superficie de trabajo.
- ◆ Extraiga las rebabas y la herrumbre pues estos impiden el avance por el material.
- ◆ Aplicar una capa espesa de cera de abeja (de lustrar muebles) a la placa de base de la herramienta facilita el corte.
- ◆ Apto solo para cortar latón, cobre, plomo o aluminio.
- ◆ Cada 2 minutos de corte de metal deben estar seguidos de por lo menos 3 minutos de descanso.

#### Baldosas de cerámica, pizarras, etc.

- ◆ Use solo una hoja diseñada especialmente para esta finalidad.
- ◆ Tenga siempre conectado un aspirador o extractor de polvo apto pues el polvo puede ser dañoso para el operador e impedir que el protector funcione correctamente.

#### Cartón de yeso:

- ◆ El corte de profundidad se recomienda para hacer cortes ocasionales en cartón de yeso y siempre teniendo conectado un aspirador o un extractor de polvo apto. El polvo puede impedir que el protector funcione correctamente.
- ◆ Las herramientas convencionales tales como los serruchos o sierras de calar suelen dar excelentes resultados, pero la sierra de profundidad puede usarse cuando se requiere un corte especialmente neto y sin polvo o en caso de peligro de cortar tubos o cables.

## Mantenimiento

Este aparato o herramienta con o sin cable de Stanley Fat Max ha sido diseñada para funcionar durante un largo periodo de tiempo con un mantenimiento mínimo. El funcionamiento satisfactorio y continuo depende del buen cuidado de la herramienta y de una limpieza frecuente.

**Advertencia.** Antes de realizar el mantenimiento de herramientas eléctricas con o sin cables:

- ◆ Apague y desenchufe el aparato o herramienta.
- ◆ O apague y extraiga la batería del aparato o herramienta si este cuenta con una batería independiente.
- ◆ O, en caso de batería integrada, agótela por completo y, a continuación, apague la herramienta.
- ◆ Limpie periódicamente las ranuras de ventilación de la herramienta, aparato o cargador con un cepillo suave o un paño seco.
- ◆ Limpie periódicamente la carcasa del motor con un paño húmedo.

No utilice limpiadores abrasivos o a base de disolventes.

**Advertencia.** Si cualquiera de los siguientes eventos ocurre durante el funcionamiento normal, se debe interrumpir inmediatamente el suministro de energía y hacer ver la herramienta a una persona capacitada, para que la repare si es necesario:

- ◆ Las piezas giratorias se agarrotan y la velocidad decae en modo anormal.
- ◆ La herramienta se sacude en modo anormal y hace ruidos extraños.
- ◆ La carcasa del motor se recalienta.
- ◆ Se producen muchas chispas alrededor del área del motor.

## Sustitución del enchufe de red (solo para el Reino Unido e Irlanda)

Si debe colocar un nuevo enchufe de red:

- ◆ Deseche el enchufe anterior según las normas de seguridad.
- ◆ Conecte el cable marrón al terminal conductor del nuevo enchufe.
- ◆ Conecte el cable azul al terminal neutro.

**Advertencia.** No deberá realizar ninguna conexión al terminal de tierra. Siga las instrucciones de ajuste suministradas con las tomas de buena calidad. Fusible recomendado: 5 A.

## Protección del medioambiente



Recogida selectiva. Los productos y las baterías marcadas con este símbolo no se deben eliminar con los residuos domésticos normales.

Los productos y las baterías que contienen materiales que se puedan recuperar o reciclar reducen la demanda de materias primas.

Recicle los productos eléctricos y el conjunto de la batería de conformidad con la normativa local. Puede obtener más información en [www.2helpU.com](http://www.2helpU.com)

## Datos técnicos

		FME380
Tensión	$V_{CA}$	230
Velocidad en vacío	$\text{mín.}^{-1}$	4500
Tamaño de la hoja	mm	89
Máx. profundidad de corte (madera blanda)	mm	28.5
Máx. profundidad de corte (baldosa)	mm	8
Máx. profundidad de corte (aluminio)	mm	3

Nivel de presión acústica de acuerdo con la norma EN 60745:

Función de serrado circular: Presión acústica ( $L_p$ ) 90 dB(A), incertidumbre (K) 3 dB(A)

Potencia acústica ( $L_{WA}$ ) 101 dB(A), Incertidumbre (K) 3 dB(A)

Función de corte de la máquina: ( $L_p$ ) 97 dB(A), incertidumbre (K) 3 m/s<sup>2</sup>

Potencia acústica ( $L_{WA}$ ) 108 dB(A), incertidumbre (K) 3 dB(A)

Valores totales de las vibración (suma de vectores teniendo en cuenta los tres ejes) de acuerdo con la norma EN 60745:

Corte de madera ( $a_{hV}$ ) 2.4 m/s<sup>2</sup>, incertidumbre (K) 1.5 m/s<sup>2</sup>

Corte de metal ( $a_{hV}$ ) 5.5 m/s<sup>2</sup>, incertidumbre (K) 1.5 m/s<sup>2</sup>

Corte de losa de hormigón ( $a_{hV}$ ) 5.5 m/s<sup>2</sup>, incertidumbre (K) 1.5 m/s<sup>2</sup>

## Declaración de conformidad CE

DIRECTIVA DE MÁQUINAS



FME380 Sierra compacta multimaterial

Stanley Europe declara que los productos descritos en la "ficha técnica" cumplen con las siguientes directrices: 2006/42/CE, EN62841-1:2015, EN 62841-2-5:2014

Estos productos también cumplen con la Directiva 2014/30/UE y 2011/65/UE. Si desea obtener más información, póngase en contacto con Stanley Europe a través de la siguiente dirección o consulte el dorso del manual.

La persona que firma a continuación es responsable de la elaboración del archivo técnico y realiza esta declaración en nombre de Stanley Europe.



R. Laverick  
Director de ingeniería  
Stanley Europe, Egide Walschaertsstraat 14-18,  
2800 Mechelen, Bélgica  
23/08/2016

## Garantía

Stanley Europe confía en la calidad de sus productos y ofrece a los consumidores una garantía de 12 meses a partir de la fecha de compra. Esta garantía es adicional a sus derechos legales y no los menoscaba en modo alguno. La garantía es válida dentro de los territorios de los Estados Miembros de la Unión Europea y del Área de Libre Comercio Europea.

Para reclamar la garantía, la reclamación deberá presentar de conformidad con las condiciones de Stanley Europe y deberá adjuntar un justificante de compra al vendedor o al agente técnico autorizado. Las condiciones de la garantía de 1 año de Stanley Europe y la ubicación de su agente técnico autorizado más cercano se pueden obtener en Internet en [www.2helpU.com](http://www.2helpU.com) o poniéndose en contacto con su oficina local de Stanley FatMax en la dirección que se indica en este manual.

Visite nuestro sitio web [www.stanley.eu/3](http://www.stanley.eu/3) y registre su nuevo producto Stanley Fat Max para mantenerse al día sobre los nuevos productos y las ofertas especiales.

## Utilização pretendida

A sua serra multimateriais compacta Stanley Fat Max FME380 foi concebida para serragem longitudinal e transversal de madeira, aglomerado, contraplacado, alumínio, azulejos, pedra, plástico e materiais de construção leves mantidos numa posição fixa. Esta ferramenta destina-se apenas a cortes pequenos. Esta ferramenta destina-se a utilização profissional bem como a utilizadores privados não profissionais.

## Instruções de segurança

### Avisos de segurança gerais para ferramentas eléctricas



**Atenção!** Leia todos os avisos de segurança e todas as instruções. O não cumprimento dos seguintes avisos e instruções pode resultar em choque eléctrico, incêndio e/ou graves lesões.

**Guarde todos os avisos e instruções para futura referência.** A expressão "ferramenta eléctrica" utilizada nos avisos refere-se à sua ferramenta eléctrica com ligação à corrente eléctrica (com cabo) ou com bateria (sem fios).

- 1. Segurança na área de trabalho**
  - a. Mantenha a área de trabalho limpa e bem iluminada.** As áreas desorganizadas ou escuras são propensas a acidentes.
  - b. Não trabalhe com ferramentas eléctricas em áreas com risco de explosão, nas quais se encontrem líquidos, gases ou poeiras inflamáveis.** As ferramentas eléctricas criam faíscas que poderão inflamar estas poeiras ou vapores.
  - c. Mantenha crianças e outras pessoas afastadas durante a utilização da ferramenta eléctrica.** As distrações podem levar à perda do controlo da ferramenta.
- 2. Segurança eléctrica**
  - a. As fichas da ferramenta eléctrica devem caber na tomada. Nunca modifique a ficha de forma alguma. Não utilize fichas adaptadoras com ferramentas eléctricas ligadas à terra.** As fichas não modificadas e as tomadas compatíveis reduzem o risco de choque eléctrico.
  - b. Evite que o corpo entre em contacto com superfícies ligadas à terra, como tubos, radiadores, fogões e frigoríficos.** Se o seu corpo estiver "ligado" à terra, o risco de choque eléctrico é maior.
  - c. As ferramentas eléctricas não podem ser expostas a chuva nem humidade.** A entrada de água numa ferramenta eléctrica aumenta o risco de choque eléctrico.
  - d. Manuseie o cabo com cuidado. Nunca o utilize para transportar, puxar ou desligar a ferramenta eléctrica. Mantenha o cabo afastado de fontes de calor, substâncias oleosas, extremidades aguçadas ou peças móveis.** Os cabos danificados ou emaranhados aumentam o risco de choque eléctrico.
  - e. Quando trabalhar com uma ferramenta eléctrica ao ar livre, utilize um cabo de extensão apropriado para esse fim.** A utilização de um cabo adequado para uso ao ar livre reduz o risco de choque eléctrico.
  - f. Se for inevitável trabalhar com uma ferramenta eléctrica num local húmido, utilize um dispositivo de corrente residual (RCD).** A utilização de um DCR reduz o risco de choque eléctrico.

**3. Segurança pessoal**

- a. **Mantenha-se alerta, tenha atenção ao que está a fazer e seja cuidadoso quando trabalhar com a ferramenta eléctrica.** Não utilize uma ferramenta eléctrica quando estiver cansado ou sob o efeito de drogas, álcool ou medicamentos. Um momento de distração durante a utilização de ferramentas eléctricas poderá resultar em ferimentos graves.
- b. **Utilize equipamento de protecção pessoal. Use sempre uma protecção ocular.** O equipamento de protecção, como, por exemplo, uma máscara contra o pó, sapatos de segurança antiderrapantes, um capacete de segurança ou uma protecção auditiva, usado nas condições apropriadas, reduz o risco de ferimentos.
- c. **Evite arranques involuntários. Certifique-se de que o botão está desligado antes de ligar a ferramenta à corrente eléctrica e/ou à bateria, e antes de pegar ou transportar a ferramenta.** Se mantiver o dedo sobre o interruptor ao transportar ferramentas eléctricas ou se as ligar à fonte de alimentação com o interruptor ligado, poderá dar origem a acidentes.
- d. **Retire eventuais chaves de ajuste ou chaves de fendas antes de ligar a ferramenta eléctrica.** Uma chave de fenda ou de ajuste que se encontre numa peça em rotação da ferramenta eléctrica poderá causar lesões.
- e. **Não tente chegar a pontos fora do alcance. Mantenha sempre os pés bem apoiados e um equilíbrio apropriado.** Desta forma, será mais fácil controlar a ferramenta eléctrica em situações inesperadas.
- f. **Use vestuário adequado. Não use roupa larga nem jóias. Mantenha o cabelo, a roupa e as luvas afastados das peças móveis.** As roupas largas, as jóias ou o cabelo comprido podem ficar presos nestas peças.
- g. **Se for prevista a montagem de dispositivos de extracção e recolha de poeiras, assegure-se de que estão ligados e que são utilizados de forma correcta.** A utilização de dispositivos de extracção de partículas pode reduzir os riscos relacionados com as mesmas.

**4. Utilização e manutenção da ferramenta eléctrica**

- a. **Não sobrecarregue a ferramenta eléctrica. Utilize a ferramenta eléctrica correcta para o seu trabalho.** A ferramenta eléctrica adequada irá efectuar o trabalho de um modo mais eficiente e seguro se for utilizada de acordo com a capacidade para a qual foi concebida.
- b. **Não utilize a ferramenta eléctrica se o interruptor não puder ser ligado nem desligado.** Qualquer ferramenta eléctrica que não possa ser controlada através do interruptor de alimentação é perigosa e tem de ser reparada.
- c. **Desligue a ficha da tomada e/ou a bateria da ferramenta eléctrica antes de proceder a ajustes, substituir acessórios ou guardar ferramentas**

eléctricas. Estas medidas de segurança preventivas reduzem o risco de ligar a ferramenta eléctrica acidentalmente.

- d. **Mantenha as ferramentas eléctricas que não estiverem a ser utilizadas fora do alcance das crianças. Não permita que a ferramenta eléctrica seja utilizada por pessoas não familiarizadas com a mesma ou que não tenham lido estas instruções.** As ferramentas eléctricas são perigosas nas mãos de pessoas que não possuam as qualificações necessárias para as manusear.
  - e. **Proceda à manutenção das ferramentas eléctricas. Verifique se as partes móveis estão desalinhasadas ou bloqueadas, se existem peças partidas ou qualquer outra situação que possa afectar o funcionamento das ferramentas eléctricas. Se a ferramenta eléctrica estiver danificada, esta não deve ser utilizada até que seja reparada.** Muitos acidentes têm como principal causa ferramentas eléctricas com uma manutenção insuficiente.
  - f. **Mantenha as ferramentas de corte afiadas e limpas.** As ferramentas de corte sujeitas a uma manutenção adequada, com arestas de corte afiadas, emperram com menos frequência e controlam-se com maior facilidade.
  - g. **Utilize a ferramenta eléctrica, acessórios e peças de ferramenta de acordo com estas instruções, considerando as condições de trabalho e a tarefa a ser executada.** A utilização da ferramenta eléctrica para fins diferentes dos previstos poderá resultar em situações perigosas.
- 5. Assistência**
- a. **A sua ferramenta eléctrica só deve ser reparada por pessoal qualificado e só devem ser colocadas peças sobressalentes originais.** Desta forma, é garantida a segurança da ferramenta eléctrica.

**Instruções de segurança para todas as serras**

**Procedimentos de corte**



**Perigo: Mantenha as mãos afastadas da área de corte e da lâmina. Mantenha a outra mão na pega auxiliar ou na carcaça do motor.** Se segurar ambas as mãos com a serra, não há o risco de se cortar com a lâmina

- ◆ **Não tente tocar por baixo da peça a trabalhar.** A protecção não pode protegê-lo da lâmina sob a peça.
- ◆ **Ajuste a profundidade de corte à espessura da peça.** Sob a peça, deverá ser visível menos de um dente completo da lâmina.
- ◆ **Nunca segure a peça a ser cortada com as suas mãos ou sobre a sua perna.**



**Fixe a peça numa plataforma estável.** É importante fixar a peça a trabalhar correctamente, de modo a minimizar a exposição do corpo, bloqueio da lâmina ou perda de controlo.

- ◆ **Segure a ferramenta eléctrica pelas superfícies isoladas específicas para o efeito ao efectuar uma operação em que o acessório de corte possa entrar em contacto com cablagem escondida ou o próprio cabo.** Cortar um acessório em contacto com um cabo "electrificado" poderá expor peças metálicas do sistema eléctrico da ferramenta e provocar um choque eléctrico ao operador
- ◆ **Ao efectuar cortes rectilíneos, utilize sempre um batente de corte ou uma guia de régua.** Aperfeiçoará a precisão de corte e reduzirá a possibilidade de bloqueio da lâmina.
- ◆ **Utilize sempre lâminas com tamanho e forma correctos (diamante, por oposição a redondo) dos orifícios do mandril.**

As lâminas que não correspondam ao equipamento de montagem da serra irão funcionar excentricamente, resultando na perda de controlo.

- ◆ **Nunca utilize anilhas ou parafusos danificados ou incorrectos.** As anilhas e o parafuso da lâmina foram concebidos especialmente para a sua serra, para garantir um desempenho e segurança do trabalho de excelente qualidade.



**Atenção!** O contacto ou a inalação de poeiras originadas pelas aplicações da serragem poderá colocar em perigo a saúde do operador ou das pessoas presentes. Utilize uma máscara especificamente concebida para protecção contra poeiras e vapores e certifique-se de que as pessoas perto da área de trabalho também estão protegidas.

- ◆ Remova completamente toda a poeira depois de serrar.
- ◆ Não permita que crianças ou mulheres grávidas entrem na área de trabalho.
- ◆ Não coma, beba ou fume na área de trabalho.
- ◆ Elimine as partículas de poeira e outros detritos de forma segura.
- ◆ A utilização adequada é descrita neste manual de instruções. A utilização de qualquer acessório ou a realização de qualquer operação com esta ferramenta que não se inclua no presente manual de instruções poderá representar um risco de ferimentos e/ou danos materiais.
- ◆ O acessório irá continuar a mover-se depois de desengatar o interruptor. Desligue sempre a ferramenta e aguarde até que o acessório pare completamente antes de pousar a ferramenta.

- ◆ **Mantenha as lâminas afiadas.** Lâminas embotadas ou danificadas podem desviar ou encravar a serra sob pressão. Utilize sempre o tipo apropriado de lâmina de serra para o material e tipo de corte.
- ◆ Quando cortar tubos ou condutas, certifique-se de que estes não têm água, cablagem, etc.
- ◆ Não toque na peça ou na lâmina logo após a utilização da ferramenta. Podem ficar muito quentes.
- ◆ Tenha cuidado com os perigos escondidos, antes de cortar em paredes, tectos ou chãoos devido à localização de fios e tubos.
- ◆ Evite cortar pregos, inspeccione o material que pretende cortar para verificar se existem pregos fixados e retire-os antes de cortar.
- ◆ Não ligue a ferramenta eléctrica enquanto estiver a transportá-la ao seu lado.
- ◆ Certifique-se de que a alavanca de bloqueio de profundidade está apertada e fixa antes de fazer um corte.
- ◆ Se o corte for interrompido ou a lâmina bloquear, liberte o gatilho de imediato e mantenha a serra fixada com firmeza no material até a lâmina parar por completo. Nunca tente remover a serra da área de corte nem puxe a serra para trás enquanto a lâmina estiver em movimento, caso contrário pode ocorrer o efeito de recuo.

## Informações de segurança adicionais para todas as serras

### Origem dos contra-golpes e avisos relacionados

- ◆ O efeito de recuo é uma reacção súbita a uma lâmina de serra comprimida, presa ou desalinhada, fazendo com que uma serra descontrolada se levante e se solte da peça na direcção do operador;
- ◆ Se a lâmina ficar comprimida ou presa na zona de corte, a lâmina bloqueia e a reacção do motor direcciona a unidade rapidamente na direcção do utilizador;
- ◆ Se a lâmina ficar dobrada ou desalinhada na área de corte, os dentes na extremidade posterior da lâmina possam ficar presos na superfície superior da madeira, fazendo com que a lâmina se liberte da zona de corte e se direcione para o utilizador.

Um recuo é o resultado de uma utilização errada da ferramenta e/ou de procedimentos ou condições de utilização incorrectos, podendo ser evitado com medidas de precauções apropriadas, conforme descrito em seguida.

- ◆ **Segure firmemente a serra com ambas as mãos e posicione os seus braços de forma a resistir às forças de um contra-golpe. Posicione o corpo para um dos lados da lâmina, mas não alinhado com a lâmina.**

O coice pode fazer com que a serra salte para trás, mas o impacto do coice pode ser controlado pelo utilizador, caso seja tomadas precauções adequadas.

- ◆ **Quando a lâmina se encontrar bloqueada ou aquando de uma interrupção do corte, por qualquer motivo, liberte o gatilho e segure a serra imóvel no material até que a lâmina pare completamente. Nunca tente remover a lâmina da área de corte nem puxe a serra para trás enquanto a lâmina estiver em movimento, caso contrário pode ocorrer o efeito de recuo.** Investigue e tome acções correctivas para eliminar a causa do bloqueio da lâmina.
- ◆ **Quando continuar a iniciar uma serra na peça, centre a lâmina da serra na zona de corte e verifique se os dentes da serra não estão em contacto com o material.** Se a lâmina da serra se encontrar bloqueada, poderá elevar-se da peça ou ocorrer um contra-golpe quando a serra for reiniciada.
- ◆ **Coloque painéis grandes para minimizar o risco de bloqueio e recuo da lâmina.** Painéis grandes tendem a ceder com o seu próprio peso. Devem ser colocados apoios debaixo do painel em ambos os lados, perto da linha de corte e da extremidade do painel.
- ◆ **Não utilize lâminas embotadas ou danificadas.** Lâminas não afiadas ou instaladas incorrectamente criam um corte estreito, provocando fricção excessiva, bloqueio da lâmina e contra-golpe.
- ◆ **As alavancas de profundidade e de bloqueio de ajuste do bisel devem estar apertadas e fixas antes de fazer o corte.** Se o ajuste da lâmina for alterado durante o corte, poderá provocar o respectivo bloqueio e um contra-golpe.
- ◆ **Tenha especial cuidado quando serrar em paredes existentes ou outras áreas ocultas.** A lâmina saliente pode cortar objectos que podem causar recuo.

### Função da protecção inferior

- ◆ **Verifique a protecção relativamente ao respectivo fecho adequado antes de cada utilização. Não utilize a serra se a protecção não se mover livremente nem fechar a lâmina imediatamente. Nunca fixe ou prenda a protecção de forma a que a lâmina fique exposta.** Se a serra cair acidentalmente, a protecção poderá ser deformada. Certifique-se de que a protecção se move livremente e não entra em contacto com a lâmina ou qualquer outra peça, em todos os ângulos e profundidades de corte.
- ◆ **Verifique o funcionamento da mola da protecção inferior. Se o resguardo e a mola não funcionarem devidamente, devem ser reparados antes de utilizar a serra.**

O resguardo inferior pode funcionar com alguma lentidão devido a peças danificadas, depósitos pegajosos ou acumulação de resíduos.

- ◆ **A protecção inferior pode ser retraída manualmente apenas no caso de cortes especiais como “cortes por incisão” ou “cortes compostos”.** Levante a protecção inferior, recolhendo a pega e assim que a lâmina entrar no material, a protecção inferior deve ser libertada. No que respeita a outras operações de serragem, o resguardo inferior deve funcionar automaticamente.
- ◆ **Verifique sempre se a protecção inferior se encontra a cobrir a lâmina, antes de pousar a serra numa bancada ou no solo.** Uma lâmina não protegida e movida pela inércia irá fazer com que a serra se mova para trás, cortando tudo o que se encontrar no caminho. Verifique o tempo que a lâmina demora a parar de rodar depois de libertar o comando.

### Lâminas de serra

- ◆ Não utilize lâminas com um diâmetro superior ou inferior ao recomendado. Consulte os dados técnicos para obter a classificação da lâmina. Utilize apenas as lâminas especificadas neste manual e em conformidade com a norma 847-1.
- ◆ **Atenção!** Nunca utilize discos abrasivos.

### Segurança de terceiros

- ◆ Esta ferramenta pode ser utilizada por crianças com 8 anos de idade ou mais e por pessoas que apresentem capacidades físicas, sensoriais ou mentais reduzidas ou que não possuam os conhecimentos e a experiência necessários, se forem vigiadas e instruídas acerca da utilização do aparelho de uma forma segura e entenderem os perigos envolvidos.
- ◆ As crianças não deverão mexer na ferramenta. A limpeza e manutenção não deverão ser efectuadas por crianças sem supervisão.

### Riscos residuais

Podem surgir riscos residuais adicionais durante a utilização da ferramenta, que poderão não constar nos avisos de segurança incluídos. Estes riscos podem resultar de má utilização, uso prolongado, etc.

Mesmo com o cumprimento dos regulamentos de segurança relevantes e a implementação de dispositivos de segurança, alguns riscos residuais não podem ser evitados. Estes incluem:

- ◆ Ferimentos causados pelo contacto com peças em rotação/movimento.
- ◆ Ferimentos causados durante a troca de peças, lâminas ou acessórios.

- ◆ Ferimentos causados pela utilização prolongada de uma ferramenta. Quando utilizar uma ferramenta durante períodos prolongados, certifique-se de que faz pausas regularmente.
- ◆ Danos auditivos.
- ◆ Problemas de saúde causados pela inalação de poeiras resultantes da utilização da ferramenta (exemplo: trabalhos em madeira, especialmente carvalho, faia e MDF).



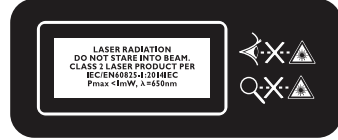
Utilize luvas quando manusear lâminas de serra.



**Atenção!** Radiação laser.



Não utilize instrumentos ópticos para visualizar directamente o feixe de laser.



## Vibração

Os valores de emissão de vibração declarados na secção de dados técnicos e na declaração de conformidade foram medidos de acordo com o método de teste padrão fornecido pela norma EN 60745 e podem ser utilizados para comparar ferramentas. O valor de emissão de vibração declarado pode ainda ser utilizado numa avaliação preliminar de exposição.

**Atenção!** O valor de emissão de vibração durante a utilização real da ferramenta eléctrica pode ser diferente do valor declarado, dependendo da forma como a ferramenta é utilizada. O nível de vibração pode aumentar acima do nível indicado.

Quando avaliar a exposição da vibração para determinar as medidas de segurança exigidas pela Directiva 2002/44/CE para proteger pessoas que utilizem regularmente ferramentas eléctricas na sua actividade profissional, deve ser considerada uma estimativa de exposição de vibração, as condições reais de utilização e o modo de utilização da ferramenta, incluindo ainda todas as partes do ciclo de funcionamento, como os períodos de inactividade e espera da ferramenta, para além do tempo de funcionamento.

## Etiquetas colocadas na ferramenta

Os seguintes pictogramas, assim como o código de data, estão indicados na ferramenta:



**Atenção!** Para reduzir o risco de ferimentos, o utilizador deve ler o manual de instruções.



Utilize óculos ou viseiras de protecção.



Use uma protecção auditiva.



Utilize uma máscara anti-poeira.



Este produto não deve ser utilizado por crianças com menos de 16 anos.



Zona Livre de Mãos - Mantenha os dedos e os braços afastados de lâminas de serra em rotação.

## Segurança eléctrica



Esta ferramenta tem isolamento duplo. Por esse motivo, não precisa de ligação à terra. Verifique sempre se a tensão da tomada de electricidade corresponde à voltagem indicada na placa com os requisitos de alimentação da ferramenta.

- ◆ Se o cabo de alimentação estiver danificado, terá de ser substituído pelo fabricante ou por um centro de assistência autorizado Stanley Fat Max para evitar acidentes.

## Componentes

Esta ferramenta inclui algumas ou todas as características seguintes.

1. Interruptor para ligar/desligar o gatilho
2. Guia de profundidade de corte
3. Grampo para regular a profundidade de corte
4. Resguardo inferior
5. Botão de ajuste da guia paralela
6. Guia paralela
7. Plataforma
8. Flange de fixação
9. Parafuso da lâmina
10. Botão de bloqueio do gatilho e libertação da sapata
11. Aberturas de ventilação
12. Mira laser
13. Ligação para extracção de poeiras
14. Botão de bloqueio do veio
15. Chave hexagonal
16. Lâmina de serra de diamante
17. Lâmina de serra aço endurecido
18. lâmina de serra de ponta de carboneto de tungsténio
19. Tubo de extracção de poeiras
20. Indicador da linha de corte

## Montagem

Verifique se a ferramenta, as peças e os acessórios sofreram danos durante o transporte.

Leia este manual com atenção e compreenda todo o conteúdo antes de montar e utilizar a ferramenta

## Utilização

**Atenção!** Não altere o ritmo de funcionamento da ferramenta. Não sobrecarregue.

### Ligar e desligar (Fig. A)

**Nota:** Antes de ligar o interruptor para ligar/desligar, verifique se a lâmina da serra está montada correctamente e funciona sem problemas e se o parafuso de fixação da lâmina está bem apertado.

- ◆ Prima o botão de bloqueio do gatilho e libertação da sapata (10) para libertar o gatilho.
- ◆ Ligue a ferramenta premindo o interruptor do gatilho (1).
- ◆ Desligue a ferramenta premindo o interruptor do gatilho (1).

### Ajustar a profundidade de corte (0-28,5 mm) (Fig. B)

- ◆ Afrouxe o grampo (3).
- ◆ Regule a profundidade de corte pretendida com a régua (2).
- ◆ Aperte o grampo (3)
- ◆ Para obter um corte de excelente qualidade, a lâmina da serra não pode ser esticada mais de 3 mm abaixo da peça de trabalho
- ◆ Tenha em atenção que a profundidade de corte efectiva do disco de diamante tem uma diferença de cerca de 2 mm em relação à profundidade de corte indicada na régua (2).

**Nota:** Faça sempre cortes de teste para verificar qual é, de facto, a linha de corte.

### Aspiração de poeiras (Fig. C)

- ◆ ligue o tubo do aspirador (19) na ligação (13) e ao aspirador, como indicado nas figuras.

**Atenção!** Nunca permita que o tubo do aspirador interfira com o resguardo inferior ou a operação de corte.

**Atenção!** Não utilize o aspirador quando cortar metais.

### Substituir a lâmina da serra (Fig. D - G)

**Atenção!** Antes de substituir as lâminas ou efectuar tarefas de manutenção, certifique-se de que a ferramenta está desligada e que retirou a ficha da fonte de alimentação.

- ◆ Regule a profundidade de corte para o valor máximo (Fig. D).
- ◆ Utilize a chave hexagonal (15) fornecida.
- ◆ Prima o botão de bloqueio do veio (14) e mantenha-o premido (Fig. E).
- ◆ Retire o parafuso da lâmina (9) rodando a chave sextavada (15).

PARA A DIREITA (= na direcção da seta gravada na protecção) (Fig. F).

- ◆ Liberte o botão de bloqueio do veio (14).
- ◆ Retire a flange (8).
- ◆ Prima o botão (10) com o polegar
- ◆ Levante o pé (7) e retire a lâmina da serra.
- ◆ Instale a nova lâmina, certificando-se de que a lâmina roda na mesma direcção da seta gravada na protecção.
- ◆ Monte a flange (8).
- ◆ Aperte com firmeza o parafuso da lâmina (9) rodando a chave hexagonal (15)

PARA A ESQUERDA, ao mesmo tempo que prime o botão de bloqueio do veio (14).

- ◆ Liberte o botão de bloqueio do veio (14).

### Utilizar a ferramenta (Fig. H - M)

- ◆ Regule a profundidade de corte pretendida.
- ◆ Ligue a ficha à fonte de alimentação.
- ◆ Prima o botão (10) com o polegar.
- ◆ Coloque a ferramenta com a extremidade dianteira alinhada com a peça de trabalho.
- ◆ Incline a ferramenta para a frente com o indicador da linha de corte (20) alinhado com a linha de corte pretendida marcada na peça de trabalho (Fig. H).
- ◆ Certifique-se de que os dentes da serra não estão presos na peça a trabalhar.
- ◆ Ligue a ferramenta.
- ◆ A ferramenta deve estar a funcionar à velocidade máxima antes da lâmina tocar na peça a trabalhar.
- ◆ Não force a ferramenta (aplique uma pressão ligeira e contínua para evitar o sobreaquecimento das pontas da lâmina e, se cortar plástico, derreter o material de plástico).
- ◆ Quando trabalhar, segure sempre a ferramenta pela(s) área(s) de fixação isolada(s).
- ◆ Quando terminar o corte, liberte o gatilho (1) para desligar a ferramenta.
- ◆ Certifique-se de que a lâmina parou por completo, antes de levantar a ferramenta da peça de trabalho.

### Função electrónica. Acção do feixe laser (Fig.I)

**Cuidado!** Quando não estiver a utilizar, certifique-se de que desliga o laser.

Nunca olhe directamente para o feixe laser, porque pode sofrer lesões oculares.

**RADIAÇÃO DO LASER: NÃO OLHE FIXAMENTE PARA O FEIXE** ou para qualquer PRODUTO LASER DE CLASSE II. Antes de ligar a linha de raio laser ou efectuar ajustes de manutenção, certifique-se de que desliga a ferramenta.

- ◆ Para ligar/desligar o laser, utilize o interruptor (12a) na parte de trás da caixa do laser.

## Limpeza da lente da luz do laser

Se a lente da luz do laser ficar suja ou acumular-se serradura na lente ao ponto da linha do raio laser deixar de estar visível, desligue a serra e limpe a lente com cuidado com um pano húmido e macio. Não utilize solventes ou produtos de limpeza à base de petróleo para limpar a lente.

**Nota:** Se a linha do raio laser estiver esbatida ou totalmente invisível devido à incidência de luz solar directa na janela interior ou exterior perto da área de trabalho, mude para um local que não esteja exposto a luz solar directa.

**Nota:** Todos os ajustes de funcionamento desta máquina foram realizados de origem.

**Atenção:** A utilização de controlos ou ajustes ou o desempenho de procedimentos que não sejam os especificados neste documento podem resultar em exposição radioactiva perigosa. A utilização de instrumentos ópticos com este produto aumenta o risco de lesões oculares. Não tente reparar ou desmontar o laser. Se pessoas sem qualificação tentarem reparar o produto laser, podem ocorrer ferimentos graves.

Qualquer reparação necessária neste produto deve ser efectuada por técnicos do centro de assistência autorizado.

## Corte em profundidade (Fig. J)

- ◆ Prima o botão (10).
- ◆ Ligue a ferramenta.

**Atenção!** A ferramenta deve estar a funcionar à velocidade máxima antes da lâmina tocar na peça a trabalhar.

- ◆ Incline a ferramenta para a frente com o indicador de linha de corte (20) alinhado com a linha de corte pretendida marcada na peça de trabalho. Avance a ferramenta gradualmente para a frente.

**Atenção!** Nunca puxe a ferramenta para trás.

## Utilizar a guia paralela (Fig. K)

- ◆ Para fazer cortes precisos ao longo da extremidade de uma peça de trabalho.
- ◆ Pode ser inserida em cada lado do pé.

## Ajustar a guia paralela

- ◆ Afrouxe o botão (5)
- ◆ Ajuste para a largura de corte pretendida utilizando a régua da guia paralela (utilize o indicador de linha de corte (20) como referência).
- ◆ Aperte o botão (5).

## Sugestões para uma utilização óptima

- ◆ Utilize apenas lâminas de serra afiadas e com o tamanho e o tipo correctos (Fig. L).
- ◆ Utilize uma lâmina de serra de aço endurecido (17) para cortar madeira, alumínio, plástico e qualquer tipo de madeira laminada

- ◆ Utilize a serra de diamante (16) para cortar materiais de cerâmica e azulejos
- ◆ Utilize a lâmina com rebordo de carboneto (18) apenas para madeira e plástico

## Cortar painéis grandes (Fig. M)

- ◆ Coloque um suporte no painel que esteja próximo do corte no chão, mesa ou bancada de trabalho.

**Atenção!** Regule a profundidade de corte para que possa cortar através do painel e não através do suporte.

- ◆ Caso a guia paralela não conseguir a profundidade de corte pretendida, fixe ou pregue o pedaço de madeira direito na peça de trabalho como guia e utilize o lado correcto do pé contra esta guia.

## Corte sem farpas

- ◆ Coloque sempre o lado correcto da peça virado para baixo - aperte um pedaço de madeira direito na peça de trabalho com 2 grampos.

## Cortar materiais especialmente duros ou abrasivos

### Chapa metálica flexível

- ◆ Regule sempre o ajuste de profundidade para, pelo menos, 1 mm mais profundo do que a espessura do material para evitar que a lâmina se levante da superfície. É necessário colocar material cortado debaixo da superfície de trabalho.
- ◆ Retire as rebarbas e a ferrugem, porque impedem o avanço da serra no material.
- ◆ A aplicação de cera de abelha grossa (encáustico) na placa da base da ferramenta facilita o corte de metal.
- ◆ Isto é adequado apenas para cortar latão, cobre, chumbo ou alumínio.
- ◆ Quando cortar metal, deve trabalhar durante 2 minutos e depois fazer uma pausa de, pelo menos, 3 minutos.

### Telhas cerâmicas, ardósias, etc.

- ◆ Utilize apenas uma lâmina concebida especificamente para este fim.
- ◆ Utilize sempre um aspirador ou um extractor de poeiras adequado, porque a poeira pode ser perigosa para o utilizador e impede o funcionamento correcto da protecção.

### Placa de estuque

- ◆ A serra de chanfrar é apenas recomendada para fazer cortes esporádicos em placas de estuque e deve ser sempre utilizada com um aspirador ou um extractor de poeiras adequado. A poeira pode impedir um funcionamento correcto da protecção.

- ◆ Ferramentas convencionais, como serrotes de ponta ou facas, normalmente proporcionam excelentes resultados, embora possa utilizar a serra de chanfrar se for necessário fazer um corte limpo, sem poeira, ou se houver o risco de cortar tubos ou cabos.

## Manutenção

O seu aparelho/ferramenta Stanley Fat Max com/sem fios foi concebido para funcionar durante um longo período de tempo com uma manutenção mínima. Uma utilização continuamente satisfatória depende de uma manutenção apropriada da ferramenta e de uma limpeza regular.

**Atenção!** Antes de proceder a qualquer acção de manutenção em ferramentas eléctricas com cabo/sem fios:

- ◆ Desligue o aparelho/ferramenta e retire a respectiva ficha da tomada.
  - ◆ Ou desligue e remova a pilha do aparelho/ferramenta caso o aparelho/ferramenta tenha uma bateria individual.
  - ◆ Ou deixe a bateria descarregar completamente se estiver incorporada e, em seguida, desligue-a.
  - ◆ Limpe regularmente as aberturas de ventilação do aparelho/ferramenta/carregador com uma escova macia ou um pano seco.
  - ◆ Limpe regularmente o compartimento do motor com um pano húmido.
- Não utilize produtos de limpeza abrasivos ou à base de solventes.

**Atenção!** Se alguma das seguintes situações ocorrer durante uma operação normal, a fonte de alimentação deve ser desligada de imediato e a ferramenta deve ser bem inspeccionada por uma pessoa qualificada, e reparada se necessário:

- ◆ As peças rotativas ficarem presas ou a velocidade reduzir para valores irregulares.
- ◆ A ferramenta vibra de maneira anormal e emite ruídos involuntários.
- ◆ O compartimento do motor fica anormalmente quente.
- ◆ São projectadas faíscas à volta da área do motor

## Substituição da tomada de alimentação (apenas Reino Unido e Irlanda)

Se for necessário instalar uma nova ficha de alimentação:

- ◆ Elimine com segurança a tomada antiga.
- ◆ Ligue o cabo castanho ao terminal activo na nova tomada.
- ◆ Ligue o cabo azul ao terminal neutro.

**Atenção!** não deve ser efectuada qualquer ligação ao terminal de terra. Siga as instruções de instalação fornecidas com fichas de boa qualidade. Fusível recomendado: 5 A.

## Protecção do ambiente



Faça uma recolha de lixo selectiva. Os produtos e as baterias assinaladas com este símbolo não devem ser eliminados juntamente com o lixo doméstico normal.

Os produtos e as baterias contêm materiais que podem ser recuperados ou reciclados, reduzindo assim a necessidade de matérias-primas. Recicle os produtos eléctricos e as baterias de acordo com as disposições locais. Estão disponíveis mais informações em [www.2helpU.com](http://www.2helpU.com)

## Dados técnicos

		FME380
Tensão	$V_{AC}$	230
Velocidade sem carga	$\text{mín.}^{-1}$	4500
Tamanho da lâmina	mm	89
Profundidade máx. de corte (madeira macia)	mm	28,5
Profundidade máx. de corte (azulejos)	mm	8
Profundidade máx. de corte (alumínio)	mm	3

### Nível de pressão acústica de acordo com a norma EN 60745:

Funcionamento da serra circular: Pressão acústica ( $L_p$ ) 90 dB(A), incerteza (K) 3 dB(A)

Potência acústica ( $L_{WA}$ ) 101 dB(A), incerteza (K) 3 dB(A)

Funcionamento da máquina de corte: ( $L_p$ ) 97 dB(A), incerteza (K) 3 m/s<sup>2</sup>

Potência acústica ( $L_{WA}$ ) 108 dB(A), incerteza (K) 3 dB(A)

### Valores totais de vibração (soma vectores triax) de acordo com EN 60745:

Corte de madeira ( $a_{h,M}$ ) 2,4 m/s<sup>2</sup>, Cortar madeira (K) 1,5 m/s<sup>2</sup>

Corte de metal ( $a_{h,M}$ ) 5,5 m/s<sup>2</sup>, incerteza (K) 1,5 m/s<sup>2</sup>

Corte de lajes de betão ( $a_{h,M}$ ) 5,5 m/s<sup>2</sup>, incerteza (K) 1,5 m/s<sup>2</sup>

## Declaração de conformidade CE DIRECTIVA "MÁQUINAS"



FME380 Serra multimateriais compacta

A Stanley Europe declara que os produtos descritos em "dados técnicos" estão em conformidade com as seguintes normas:

2006/42/CE, EN62841-1:2015, EN 62841-2-5:2014

Estes produtos respeitam também as Directivas 2014/30/UE e 2011/65/UE. Para obter mais informações, contacte a Stanley Europe no endereço indicado ou consulte a parte posterior do manual.

O signatário é responsável pela compilação do ficheiro técnico e efectua esta declaração em nome da Stanley Europe.



R. Laverick  
Director de Engenharia  
Stanley Europe, Egide Walschaertsstraat14-18,  
2800 Mechelen, Bélgica  
23/08/2016

## Garantia

A Stanley Europe confia na qualidade dos seus produtos e oferece aos clientes uma garantia de 12 meses a partir da data de compra. Esta garantia é um complemento dos seus direitos estabelecidos por lei, não os prejudicando de forma alguma. A garantia é válida nos Estados-membros da União Europeia e nos países-membros da Zona Europeia de Comércio Livre.

Para accionar a garantia, esta deve estar em conformidade com os termos e condições da Stanley Europe e terá de apresentar comprovativos de compra ao vendedor ou a um agente de reparação autorizado. Os termos e condições da garantia de 1 ano da Stanley Europe e a localização do agente de reparação autorizado mais próximo pode ser obtido na Internet em [www.2helpU.com](http://www.2helpU.com) ou contactando uma filial da Stanley FatMax, cuja morada está indicada neste manual.

Visite o nosso Website [www.stanley.eu/3](http://www.stanley.eu/3) para registar o seu novo produto Stanley Fat Max e receber actualizações sobre novos produtos e ofertas especiais.

## Avsedd användning

Din Stanley Fat Max FME380 kompakta multimaterialsåg har designats för långsgående sågning och kapning av trä, spånskivor, plywood, aluminium, kakel, sten, plast och lätt byggnadsmaterial som hålls fast i fixerad position. Verktyget är endast avsett för att göra korta kapningar. Verktyget är avsett för yrkesanvändare och privatkonsumenter.

## Säkerhetsinstruktioner

### Allmänna säkerhetsanvisningar för elverktyg



**Varning!** Läs alla säkerhetsvarningar och instruktioner. Fel som uppstår till följd av att varningarna och instruktionerna som listas nedan inte följts kan orsaka elstötar, brand och/eller allvarliga kroppsskador.

**Spara alla säkerhetsföreskrifter och anvisningar för framtida bruk.** Termen "elverktyg" i varningarna syftar på ditt nätanslutna (med kabel) elverktyg eller batteridrivna (sladdlösa) elverktyg.

1. **Säkerhet på arbetsplatsen**
  - a. **Se till att arbetsplatsen är obelamrad och välbelyst.** Belamrade och mörka områden inbjuder till olyckor.
  - b. **Använd inte elverktyget i explosionsfarlig omgivning, t.ex. i närheten av brännbara vätskor, gaser eller damm.** Elverktyg skapar gnistor som kan antända damm eller ångor.
  - c. **Håll barn och andra personer på betryggande avstånd vid arbete med elverktyget.** Om du blir distraherad kan du förlora kontrollen.
2. **Elsäkerhet**
  - a. **Elverktygets stickkontakt måste passa i eluttaget. Modifiera aldrig kontakten på något sätt. Använd inga adapterkontakter tillsammans med jordade elverktyg.** Icke modifierade kontakter och passande uttag minskar risken för elektrisk stöt.
  - b. **Undvik kroppskontakt med jordade ytor såsom rör, radiatorer, spis och kylskåp.** Det finns en ökad risk för elektrisk stöt om din kropp är jordansluten eller jordad.
  - c. **Skydda elverktyget mot regn och väta.** Vatten som kommer in i ett elverktyg ökar risken för elektrisk stöt.
  - d. **Hantera nätsladden varsamt. Använd aldrig sladden för att bära, dra eller koppla bort elverktyget från uttaget. Håll sladden borta från värme, olja, skarpa kanter eller rörliga delar.** Skadade eller tilltrasslade sladdar ökar risken för elektrisk stöt.
  - e. **Använd endast förlängningssladdar som är godkända för utomhusbruk när du arbetar med elverktyg utomhus.** Användning av en sladd som är lämplig för utomhusbruk minskar risken för elektriska stötar.
  - f. **Om du måste använda ett elverktyg på en fuktig plats ska du använda jordfelsbrytare.** Användning av jordfelsbrytare minskar risken för elektriska stötar.
3. **Personlig säkerhet**
  - a. **Var uppmärksam, se på vad du gör och använd elverktyget med förnuft.**

Använd inte ett elverktyg när du är trött eller påverkad av droger, alkohol eller mediciner. Ett ögonblicks uppmärksamhet när du arbetar med elektriska verktyg kan leda till allvariga personskador.

- b. **Använd personlig skyddsutrustning. Använd alltid skyddsglasögon.** Skyddsutrustning såsom dammfilterskydd, halksäkra säkerhetsskor, skyddshjälm eller hörselskydd som används för lämpliga förhållanden minskar personskador.
- c. **Förhindra oavsiktlig start. Kontrollera att strömbrytaren står i avstängt läge innan du ansluter verktyget till elnätet eller sätter i batteriet, samt innan du tar upp eller bär verktyget.** Att bära elektriska verktyg med fingret på strömbrytaren eller att koppla strömmen till elektriska verktyg när strömbrytaren är på leder till olyckor.
- d. **Ta bort alla inställningsnycklar innan elverktyget slås på.** Ett verktyg eller en nyckel som har lämnats kvar på en roterande del av det elektriska verktyget kan orsaka kroppsskador.
- e. **Sträck dig inte för långt. Ha ordentligt fotfäste och balans hela tiden.** Detta möjliggör bättre kontroll av elverktyget i oväntade situationer.
- f. **Bär lämpliga kläder. Bär inte lösa kläder eller smycken. Håll hår, beklädnad och handskar borta från delar i rörelse.** Lösa kläder, smycken eller långt hår kan fastna i rörliga delar.
- g. **Om elverktyget har dammuppsugnings- och uppsamlingsutrustning kontrollerar du att den är monterad och används på korrekt sätt.** Användning av dammuppsamling kan minska dammrelaterade risker.

#### 4. Användning och skötsel av elverktyg

- a. **Överbelasta inte elverktyget. Använd rätt elverktyg för ditt arbete.** Det korrekta elverktyget gör arbetet bättre och säkrare vid den hastighet för vilket det konstruerades.
- b. **Använd inte elverktyget om det inte kan startas och stängas av med strömbrytaren.** Ett elverktyg som inte kan kontrolleras med strömbrytaren är farligt och måste repareras.
- c. **Dra stickproppen ur vägguttaget och/eller ta ut batteriet ur elverktyget innan inställningar görs, tillbehörsdelar byts ut eller elverktyget ställs undan.** Sådana förebyggande säkerhetsåtgärder minskar risken att oavsiktligt starta elverktyget.
- d. **Förvara elverktyg utom räckhåll för barn och låt inte personer som inte är vana vid elverktyget eller som inte läst denna bruksanvisning använda det.** Elverktyg är farliga i händerna på ovana användare.
- e. **Underhåll elverktyg. Kontrollera att rörliga komponenter fungerar felfritt och inte kärvar, att komponenter inte gått sönder eller skadats och inget annat föreligger som kan påverka elverktygets funktion.**

Om det är skadat, se till att elverktyget blir reparerat före användning. Många olyckor orsakas av dåligt underhållna elektriska verktyg.

- f. **Håll kapverktyg skarpa och rena.** Korrekt underhållna kapverktyg med vassa skär är mindre troliga att de fastnar och är lättare att kontrollera.
  - g. **Använd elverktyg, tillbehör, bits m.m. enligt dessa anvisningar och beakta arbetsvillkoren och det arbete som ska utföras.** Användning av elverktyget för andra uppgifter än vad som avsetts kan resultera i farliga situationer.
- #### 5. Service
- a. **Låt en kvalificerad reparatör som bara använder originaldelar utföra service på elverktyget.** Detta säkerställer att elverktygets säkerhet bibehålles.

### Säkerhetsinstruktioner för alla sågar

#### Sågningsprocedurer



**Varning: Håll händerna borta från sågområdet och sågklingen. Håll andra handen på stödhandtaget eller motorhuset.** Om båda händerna hålls på sågen kan de inte skadas av sågklingen

- ◆ **Sträck dig inte under arbetsstycket.** Skyddet kan inte skydda handen mot sågklingen under arbetsstycket.
- ◆ **Ställ in sågdjupet efter arbetsstyckets tjocklek.** Den synliga delen av en tand på sågklingen under arbetsstycket måste vara mindre än en hel tand.
- ◆ **Håll aldrig arbetsstycket i händerna eller över benen vid sågning.** Fäst arbetsstycket på ett stabilt underlag. Det är viktigt att arbetsstycket hålls fast ordentligt för att undvika kontakt med kroppen, inklämning av sågklingen eller förlorad kontroll över sågen.
- ◆ **Håll elverktyget i de isolerade greppytorna när arbete utförs där sågtillbehöret kan komma i kontakt med dolda elledningar eller dess egen sladd.** Om borret går igenom en strömförande ledning kan verktygets metalldelar bli strömförande och ge dig en elektrisk stöt
- ◆ **Använd alltid ett anhåll eller ett skydd med raka kanter när du klyvsågar.** Detta möjliggör mer noggrann sågning och minskar risken för att sågklingen fastnar.
- ◆ **Använd alltid sågklingor med rätt storlek och lämpligt infästningshål (t.ex. i stjärnform eller rund).** Klingor som inte passar till sågens monteringskomponenter roterar excentriskt och leder till att kontrollen förloras över sågen.
- ◆ **Använd aldrig skadade eller felaktiga klingbrickor eller bultar.** Klingbrickorna och bultarna har konstruerats speciellt för denna såg för optimal effekt och driftsäkerhet.





**Varning!** Sågning ger upphov till damm som kan skada den som använder verktyget och andra i närheten vid kontakt eller inandning. Använd en specialkonstruerad ansiktsmask som skyddar mot damm och ångor och se till att personer som vistas inom eller i närheten av arbetsområdet också är skyddade.

- ◆ Var noga med att avlägsna allt damm efter sågningen.
- ◆ Låt aldrig barn eller gravida kvinnor vistas på arbetsplatsen.
- ◆ Ät, drick och rök inte på arbetsplatsen.
- ◆ Släng damm och annat avfall på miljösäker plats.
- ◆ Avsedd användning beskrivs i denna bruksanvisning. Om andra tillbehör eller tillsatser används, eller om någon annan åtgärd än de som rekommenderas i den här bruksanvisningen utförs med verktyget kan personer och/eller egendom ta skada.
- ◆ Tillbehöret fortsätter att röra sig en kort stund efter att du har släppt strömbrytaren. Stäng alltid av verktyget och vänta tills tillbehöret har stannat helt innan du lägger ifrån dig det.
- ◆ **Håll bladen vassa.** Slöa eller skadade blad kan göra att sågen vrider sig eller stannar helt när den belastas. Använd alltid korrekt typ av sågblad för arbetsmaterialet och sågningsmetoden.
- ◆ Vid sågning i rör och liknande ska du se till att de inte innehåller vatten, elledningar etc.
- ◆ Undvik att vidröra arbetsstycket eller sågklingan direkt efter sågning. De kan bli mycket heta.
- ◆ Var uppmärksam på dolda faror innan du sågar i väggar, golv eller tak. Kontrollera om det finns rör eller elledningar.
- ◆ Undvik att såga i spikar, kontrollera materialet som skall sågas för att se om det finns några spikar i det och ta bort dessa innan sågning.
- ◆ Kör inte elverktyget medan du bär det vid din sida.
- ◆ Se till att djuplåspsaken är åtdragen och sitter fast innan sågning görs.
- ◆ När sågningen avbryts eller om klingan fastnar, släpp strömbrytaren omedelbart och hålla sågen still i arbetsstycket tills klingan har stannat. Försök aldrig att ta bort sågen från arbetsstycket eller att dra sågen bakåt medan klingan är i rörelse eftersom det kan bli en rekyl.

## Ytterligare säkerhetsinstruktioner för alla sågar

### Rekylorsaker och tillhörande varningar

- ◆ rekyl är en plötslig reaktion hos en sågklinga som hakat upp sig, klämts fast eller är fel inriktad och som leder till att sågen okontrollerat lyfts upp ur arbetsstycket och kastas mot användaren;

- ◆ när sågklingan hakar upp sig eller kläms fast i sågspåret som går ihop, kommer klingan att blockeras varefter motorkraften kastar sågen i riktning mot användaren;
- ◆ om klingan blir vriden eller felriktad i sågskåran kan tänderna i bakkanten av klingan gräva sig in i övre ytan av träet och göra att klingan klättrar ut ur sågskåran och hoppar bakåt mot operatören.

Rekyl uppstår till följd av felaktig användning och/eller hantering av sågen. Detta kan undvikas genom de skyddsåtgärder som beskrivs nedan.

- ◆ **Håll sågen ordentligt med båda händerna och placera armarna så att du håller emot de krafter som kastar sågen bakåt. Placera kroppen på någon sida av klingan men inte i linje med klingan.** Vid en rekyl kan cirkelsågen hoppa bakåt men användaren kan behärska rekylkraften om lämpliga åtgärder vidtagits.
- ◆ **Om klingan fastnar, eller om sågningen upphör av någon anledning, ska du släppa strömbrytaren och hålla sågen still i arbetsstycket tills klingan helt slutar att snurra. Försök aldrig att ta bort sågen från arbetsstycket eller att dra sågen bakåt medan klingan är i rörelse eftersom det kan bli en rekyl.** Lokalisera orsaken för inklämd sågklinga och avhjälp felet.
- ◆ **Vill du återstarta en såg som sitter i arbetsstycket centrera sågklingan i sågspåret och kontrollera att sågklingans tänder inte hakat fast i arbetsstycket.** Om klingan fastnar kan den klättra uppåt eller kastas ut från arbetsstycket när sågen startas igen.
- ◆ **Stöd stora arbetsstycken för att minimera risken för kärvning och rekyl.** Stora arbetsstycken böjs ofta av sin egen vikt. Skivorna måste därför stödas på båda sidorna både i närheten av sågspåret och vid skivans kanter.
- ◆ **Använd inte slöa eller skadade klingor.** Slöa eller felaktigt monterade klingor genererar smala sågspår, vilket leder till att friktionen ökar, klingan fastnar eller att sågen kastas bakåt.
- ◆ **Före sågning påbörjas dra stadigt fast inställningssanordningarna för sågdjup och snittvinkel.** Om klinginställningarna ändras medan du sågar kan klingan fastna eller sågen kastas bakåt.
- ◆ **Var extra försiktig vid sågning i befintliga väggar eller andra dolda områden.** Den genomträngande klingan kan såga föremål som kan orsaka rekyl.

### Undre skyddets funktion

- ◆ **Kontrollera att skyddet stänger ordentligt innan du använder sågen. Använd inte sågen om skyddet inte är fritt rörligt och inte omedelbart omsluter bladet. Du ska aldrig klämma eller binda fast skyddet så att bladet exponeras.**

Om du tappar sågen av misstag kan skyddet böjas. Kontrollera att skyddet kan röra sig fritt och inte vidrör bladet eller någon annan del i någon riktning eller vid något skärdjup.

- ◆ **Kontrollera funktionen hos nedre skyddets fjäder. Om skyddet och fjädern inte fungerar rätt, måste de repareras före användning.** Skadade delar, klibbiga avlagringar eller anhopning av spån kan hindra det undre klingskyddets rörelse.
- ◆ **Det undre skyddet ska endast öppnas manuellt vid särskilda typer av sågning, t.ex. "instickssågning" och "kombinerad sågning".** Öppna det undre klingskyddet med återdragningspaken och släpp den så fort sågklingan gått in i arbetsstycket. Vid all annan sågning måste det undre klingskyddet fungera automatiskt.
- ◆ **Kontrollera alltid att det undre skyddet täcker klingan innan du sätter ner sågen på en bänk eller på golvet.** Om sågen är avstängd och klingan fortfarande snurrar och är oskyddad kommer sågen att vandra bakåt och skära in i allt som kommer i dess väg. Var medveten om den tid det tar för klingan att stanna efter att avtryckaren släppts.

## Sågklingor

- ◆ Använd inte klingor med större eller mindre diameter än rekommenderat. För korrekt klingklassificering se tekniska data. Använd endast klingor som specificeras i denna manual som uppfyller EN 847-1.
- ◆ **Varning!** Använd aldrig slipskivor.

## Säkerhet för andra

- ◆ Detta verktyg kan användas av barn från åtta år och personer med nedsatt fysisk eller psykisk förmåga eller bristande erfarenhet eller kunskap, om de får lämplig vägledning och är medvetna om riskerna.
- ◆ Barn ska inte leka med verktyget. Rengöring och användarunderhåll ska inte utföras av barn utan övervakning.

## Återstående risker

Ytterligare risker som inte finns med i de bifogade säkerhetsanvisningarna kan uppstå när verktyget används. Dessa risker kan uppstå vid felaktig eller långvarig användning, etc. Även om alla relevanta säkerhetsanvisningar följs och säkerhetsanordningar används kan vissa ytterligare risker inte undvikas. Dessa omfattar:

- ◆ Skador orsakade av att roterande/rörliga delar vidrörs.
- ◆ Skador som uppstår vid byte av delar, blad eller tillbehör.
- ◆ Skador som orsakas av långvarig användning av ett verktyg. Se till att regelbundet ta vilopausar när du använder ett verktyg under en längre period.
- ◆ Hörselnedsättning.

- ◆ Hälsorisker orsakade av inandning av damm när redskapet används (exempel: arbete med trä, särskilt ek, bok och MDF.)

## Vibrationer

De vibrationsvärden som anges i avsnitten Tekniska data och deklarationen om överensstämmelse har uppmätts i enlighet med en standardtestmetod föreskriven i EN 60745 och kan användas för jämförelse med andra verktyg. Det angivna vibrationsvärdet kan även användas för en preliminär bedömning av exponeringen.

**Varning!** Vibrationsvärdet under faktisk användning av elverktyget kan skilja sig från det uppgivna värdet beroende på hur verktyget används. Vibrationsnivån kan överstiga den uppgivna nivån.

Vid uppskattningar av exponering för vibrationer i syfte att bedöma vilka säkerhetsåtgärder som är nödvändiga enligt 2002/44/EG för att skydda personer som regelbundet använder elverktyg i arbetet ska man utgå från de faktiska omständigheter under vilka elverktyget används och sättet på vilket det används. Bedömningen ska även ta hänsyn till alla moment i arbetscykeln, t.ex. när verktyget är avstängt och när det går på tomgång såväl som när det faktiskt används.

## Etiketter på verktyget

Följande symboler tillsammans med datumkoden visas på verktyget:



**Varning!** Läs bruksanvisningen före användning för att minska risken för personskador.



Använd säkerhetsglasögon eller skyddsglasögon.



Använd hörselskydd.



Använd en skyddsmask.



Denna produkt får inte användas av barn under 16 år.



Handsfri zon - Håll fingrar och armar borta från roterande sågklingor.



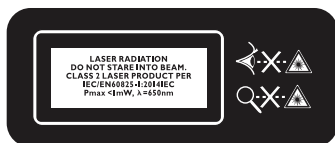
Bär handskar när du hanterar sågklingor.



**Varning!** Laserstrålning.



Använd inte optiska verktyg för att titta på laserstrålen.



## Elsäkerhet



Eftersom detta verktyg är dubbelisolerat behövs ingen jordledare. Kontrollera alltid att spänningen på nätet motsvarar den spänning som finns angiven på märkplåten.

- ◆ Om nätsladden är skadad måste den bytas ut av tillverkaren eller en auktoriserad Stanley Fat Max servicecenter för att farliga situationer ska undvikas.

## Funktioner

Det här verktyget har några eller samtliga av följande funktioner.

1. Avtryckare På/Av
2. Sågdjupskala
3. Klämman för inställning av sågdjup
4. Nedre skydd
5. Inställningsratt parallellanslag
6. Parallellanslag
7. Fotplatta
8. Klämhylsa
9. Klingbult
10. Avtryckarlås och skolåsknapp
11. Ventilationsöppningar
12. Lasersikte
13. Anslutning för dammsugning
14. Spindellåsknapp
15. Insexnyckel
16. Diamantsågklinga
17. Sågklinga av härdat stål
18. TCT sågklinga
19. Dammsugningsslang
20. Indikator såglinje

## Montering

Kontrollera om det finns skador på verktyget, på delar och tillbehör som kan tänkas ha uppstått under transporten. Ta dig tid och läs igenom denna bruksanvisning noga och förstå allt innehåll innan montering och användning

## Användning

**Varning!** Låt verktyget arbeta i sin egen takt. Överbelasta inte.

## Påslagning och avstängning (fig. A)

**Notera:** Innan strömbrytaren aktiveras, kontrollera sågklingan så att den sitter ordentligt fast och rör sig smidigt och att klingans klämskruv är ordentligt ådragen.

- ◆ Skjutavtryckarlåset och skons låsknapp knapp (10) för att lossa strömbrytaren.
- ◆ Slå på verktyget genom att dra strömbrytaren (1).
- ◆ Stäng av verktyget genom att släppa upp strömbrytaren (1).

## Inställning av sågdjup (0-28,5 mm) (bild B)

- ◆ Lossa klämman (3).
- ◆ Ställ in önskat sågdjup med skalan (2).
- ◆ Dra åt klämman (3)
- ◆ För optimal kvalitet på sågningen skall sågklingan inte sticka ut mer än 3 mm under arbetsstycket
- ◆ Var medveten om att det faktiska djupet vid sågning med diamantklingan skiljer sig ungefär 2 mm från sågdjupet som indikeras på skalan (2).

**Notera:** Gör alltid en testsågning för att verifiera faktisk såglinje.

## Dammsugning (bild C)

- ◆ anslut dammsugarslangen (19) till anslutningen (13) och dammsugaren såsom visas.

**Varning!** Låt aldrig dammsugarslangen komma i vägen för den undre skyddet eller sågningen.

**Varning!** Använd inte dammsugare när du sågar i metall.

## Byte av sågklinga (bild D - G)

**Varning!** Innan klingbyte eller underhåll görs se till att verktyget är avstängt och bortkopplat från strömkällan.

- ◆ Ställ in sågdjupet på max (bild D).
- ◆ Använd insexnyckeln (15) som medföljer.
- ◆ Skjut spindellåsknappen (14) och håll kvar (bild E). Ta bort klingskruven (9) med insexnyckeln (15) MEDURS (= i samma riktning som pilen som är tryckt på skyddet) (bild F).
- ◆ Lossa spindellåsknappen (14).
- ◆ Ta bort hylsan (8).
- ◆ Tryck på knappen (10) med tummen
- ◆ Lyft upp foten (7) och ta bort sågklingan.
- ◆ Installera den nya klingan och se till att rotationsriktningen på klingan är samma som pilen som är tryckt på skyddet.
- ◆ Monteringshylsa (8).
- ◆ Dra åt klingbulten (9) genom att vrida insexnyckeln (15) MOTURS medan spindellåsets knapp trycks in (14).
- ◆ Lossa spindellåsknappen (14).

## Använda verktyget (bild H - M)

- ◆ Ställ in önskat sågdjup.

- ◆ Anslut kontakten till strömkällan.
- ◆ Tryck på knappen (10) med tummen.
- ◆ Placera verktyget med frontänden av foten plant på arbetsstycket.
- ◆ Luta verktyget framåt med såglinjeindikator (20) i linje med önskad såglinje som är markerad på arbetsstycket (bild H).
- ◆ Se till att sågtanden inte är aktiverad i arbetsstycket.
- ◆ Slå på verktyget.
- ◆ Verktyget skall köras med full hastighet innan klingan går in i arbetsstycket.
- ◆ Tvinga inte verktyget (använd lätt och kontinuerligt tryck för att undvika överhettning av klingspetsen, vi sågning av plast smälter plastmaterialet).
- ◆ Håll alltid i de isolerade greppytorna under arbetet.
- ◆ När sågningen är klar stäng av verktyget genom att släppa strömbrytaren (1).
- ◆ Se till att klingan har stannat helt innan du lyfter bort verktyget från arbetsstycket.

### Elektronisk funktion. Laserstrålfunktion (bild I)

**Varning!** När den inte används, se till att stänga av lasern. Titta aldrig direkt in i laserstrålen, laserstrålar kan skada dina ögon.

LASERSTRÅLNING: TITTA INTE IN I STRÅLEN eller några KLASS II PRODUKTER.

Innan laserlinjen ändras eller underhållsinställningar utförs se till att koppla ifrån verktyget.

- ◆ För att slå på/stänga av, ändra omkopplaren (12a) på baksidan av laserhöljet.

### Rengöring av linsen till laserljuset

Om linsen till laserljuset blir smutsig eller om sågdamm ansamlas på den så att laserlinjen inte längre lätt kan ses, koppla ifrån sågen och rengör linsen noga med en fuktig och mjuk trasa. Använd inte lösningsmedel eller bensinbaserade rengöringsmedel på linsen.

**Notera:** När laserlinjen är svag och nästan eller helt osynlig på grund av direkt solljus i fönstret inomhus eller utomhus nära arbetsplatsen, ändra arbetsplats till en plats som inte direkt utsätts för solljus.

**Notera:** Alla inställningar för hantering av denna maskin har utförts på fabriken.

**Se upp:** Att använda manöverorgan eller inställningar, eller att genomföra procedurer som inte specificeras i denna bruksanvisning kan resultera i att man utsätts för farlig strålning. Användning av optiska instrument tillsammans med denna produkt utgör en ökad risk för ögonen. Försök inte att reparera eller demontera lasern. Om o kvalificerade personer försöker att reparera denna laserprodukt kan allvariga personskador uppstå.

Alla reparationer som krävs på denna laserprodukt skall utföras av personal på ett auktoriserats servicecenter.

### Instickssågning (bild J)

- ◆ Tryck på knappen (10).
- ◆ Slå på verktyget.

**Varning!** Verktyget skall köras med full hastighet innan klingan går in i arbetsstycket.

- ◆ Luta verktyget framåt med såglinjeindikator (20) i linje med önskad såglinje markerad på arbetsstycket. Flytta verktyget gradvis framåt.

**Varning!** Dra aldrig verktyget bakåt.

### Använda parallellanslaget (bild K)

- ◆ För att göra exakta sågningar längs arbetsstyckets kant.
- ◆ Kan sättas in på valfri sida av foten.

### Inställning parallellanslag

- ◆ Lossa ratten (5)
- ◆ Ställ in önskad sågbredd med parallellanslagets skala (använd såglinjeindikator (20) som 0-referens).
- ◆ Dra åt ratten (5).

### Tips för optimal användning

- ◆ Använd endast skarpa sågklingor av korrekt typ och storlek (bild L).
- ◆ Använd härdade stålsågklingor (17) för sågning av trä, aluminium, plast och alla sorter av laminerat trä
- ◆ Använd diamantsåg för (16) sågning av keramik och kakel
- ◆ Använd endast klingor med karbidspets (18) för trä och plast

### Såga stora skivor (bild M)

- ◆ Stöd stora skivor nära sågspåret antingen på golvet, ett bord eller arbetsbänk.

**Varning!** Ställ in sågdjupet så att du kan såga genom skivan och inte genom stödet.

- ◆ I de fall där parallellanslaget inte tillåter önskad sågbredd, kläm fast eller spika fast en rak träbit på arbetsstycket som anslag och använd högra sidan av foten mot anslaget.

### Splitterfri sågning

- ◆ Placera alltid den bra sidan av arbetsstycket nedåt - fäst en rak bit trä på arbetsstycket med 2 tvingar.

### Sågning av särskilt sega eller skrovliga material

#### Mjuk metallplåt

- ◆ Ställ alltid in djupinställningen på minst 1 mm djupare än materialets tjocklek för att undvika att klingan drivs upp på ytan. Skräpmaterial krävs under arbetsytan.

- ◆ Ta bort grader och rost eftersom den påverkar matningen över materialet.
- ◆ Tjock bivax (möbelpolish) som påförs på basplattan för verktyget gör sågning av metall lättare.
- ◆ Endast lämplig för sågning av mässing, koppar, bly eller aluminium.
- ◆ Varje två minuter av metallsågning skall följas av minst tre minuters paus.

### Keramikplattor, skiffer etc

- ◆ Använd endast klingor som särskilt designats för detta användningsområde.
- ◆ Använd alltid en lämplig ansluten dammsugare eller dammsugning eftersom damm kan vara farligt för operatören och förhindra att skydden fungerar korrekt.

### Gipsskivor:

- ◆ Instickssågningen rekommenderas endast för att göra tillfälliga sågningar i gipsskivor och alltid använd tillsammans med lämplig dammsugare eller dammsugning ansluten. Damm kan förhindra att skyddet fungerar korrekt.
- ◆ Konventionella verktyg såsom nyckelhållsågar eller knivar ger generellt utmärkt resultat, även om instickssågning kan användas om en särskilt noggrann och dammfri sågning krävs eller om det finns risk för att såga i rör eller elkablar.

### Underhåll

Det här Stanley Fat Max-verktyget (med eller utan sladd) är konstruerat för att fungera under lång tid med minsta möjliga underhåll. Kontinuerlig tillfredsställande drift beror på ordentlig verktygsvård och regelbunden rengöring.

**Varning!** Innan något underhåll utförs på sladdanslutna/sladdlösa elverktyg:

- ◆ Stäng av apparaten/verktyget och dra ur nätkontakten.
- ◆ Du kan också ta ut batteriet ur apparaten/verktyget om apparaten/verktyget har ett separat batteri.
- ◆ Om batteriet är inbyggt låter du det laddas ur helt innan avstängningen.
- ◆ Rengör regelbundet apparatens/verktygets/laddarens luftintag med en mjuk borste eller torr trasa.
- ◆ Rengör motorhöljet regelbundet med en fuktig trasa. Använd aldrig rengöringsmedel med lösnings- eller slipmedel.

**Varning!** Om något av följande skulle ske under normal användning skall strömförsörjningen stängas av omedelbart och verktyget noga undersökas av en kvalificerad person och repareras om så behövs:

- ◆ De roterande delarta fastnar eller hastigheten sjunker till onormalt låg nivå.
- ◆ Verktyget skakar onormalt följt av ovanliga ljud.
- ◆ Motorhöljet blir onormalt varmt.

- ◆ Kraftiga gnistor uppstår runt motorområdet

### Byte av elkontakt (endast Storbritannien och Irland)

Om en ny elkontakt måste monteras:

- ◆ Gör dig av med den gamla kontakten på lämpligt sätt.
- ◆ Anslut den bruna ledningen till den strömförande anslutningen i den nya kontakten.
- ◆ Anslut den blå ledningen till den icke strömförande anslutningen (neutral/nolla).

**Varning!** Ingenting bör kopplas till jordanslutningen. Följ de monteringsanvisningar som följer med kontakter av god kvalitet. Rekommenderad säkring: 5 A.

### Skydda miljön



Separat insamling. Produkter och batterier som är markerade med denna symbol får inte kastas in de vanliga hushållsoporna.

Produkter och batterier innehåller material som kan återanvändas eller återvinnas för att minska behovet av råmaterial. Återvinn elektriska produkter och batterier enligt lokala bestämmelser. Närmare information finns tillgänglig på [www.2helpU.com](http://www.2helpU.com)

### Tekniska data

FME380		
Spänning	$V_{AC}$	230
Varvtal obelastad	$\text{min}^{-1}$	4500
Bladstorlek	mm	89
Max sågdjup (mjukt trä)	mm	28.5
Max sågdjup (kalk)	mm	8
Max sågdjup (aluminium)	mm	3

#### Ljudtrycksnivå enligt EN 60745:

Cirkelsågfunktion: Ljudtryck ( $L_{pA}$ ) 90 dB(A), osäkerhet (K) 3 dB(A)

Ljudtryck ( $L_{WA}$ ) 101 dB(A), osäkerhet (K) 3 dB(A)

Kapmaskinfunktion: ( $L$ ) 97 dB(A), osäkerhet (K) 3  $\text{m/s}^2$

Ljudtryck ( $L_{pA}$ ) 108 dB(A), osäkerhet (K) 3 dB(A)

#### Totala vibrationsvärden (vektorsumman av tre axlar) enligt EN 60745:

Träsågning ( $a_{hV}$ ) 2,4  $\text{m/s}^2$ , osäkerhet (K) 1,5  $\text{m/s}^2$

Kapning metall ( $a_{hM}$ ) 5,5  $\text{m/s}^2$ , osäkerhet (K) 1,5  $\text{m/s}^2$

Kapning betongplatta ( $a_{hV}$ ) 5,5  $\text{m/s}^2$ , osäkerhet (K) 1,5  $\text{m/s}^2$

## EG-deklaration Försäkran om överensstämelse

MASKINDIREKTIVET



FME380 Kompakt multimaterialsåg

Stanley Europe garanterar att produkterna som beskrivs under "tekniska data" uppfyller:  
2006/42/EG, EN62841-1:2015, EN 62841-2-5:2014

De här produkterna överensstämmer även med direktiven 2014/30/EU och 2011/65/EU. Mer information får du genom att kontakta Stanley Europe på följande adress eller titta i slutet av bruksanvisningen.

Undertecknad är ansvarig för sammanställningen av tekniska data och gör denna försäkran för Stanley Europe.

R. Laverick  
Engineering Manager  
Stanley Europe, Egide Walschaertsstraat14-18,  
2800 Mechelen, Belgien  
2016-08-23

## Garanti

Stanley Europe är övertygad om kvaliteten hos denna produkt och erbjuder kunder 12 månaders garanti från datumet för inköpet. Garantin gäller utöver konsumentens rättigheter enligt lag och påverkar inte dessa. Garantin är giltig i de territorier som tillhör medlemsstaterna i Europeiska unionen och det europeiska frihandelsområdet.

För yrkande under garantin måste yrkandet vara i enlighet med Stanley europe villkor och du kommer att behöva skicka in bevis på köpet till försäljaren eller en auktoriserad reparatör. Villkoren för Stanley Europe ettåriga garanti och var du hittar din närmaste auktoriserade reparatör kan erhållas på internet på [www.2helpU.com](http://www.2helpU.com), eller genom att kontakta ditt lokala Stanley FatMax kontor på adressen som angetts i denna bruksanvisning.

Besök vår webbsida [www.stanely.eu/3](http://www.stanely.eu/3) för att registrera din nya Stanley Fat Max-produkt samt för att få information om nya produkter och specialerbjudanden.

## Tiltent bruk

Din nye Stanley Fat Max FME380 kompakte multimateriesag er laget for å kunne skjære på langs og på tvers i tre, kartong, kryssfinér, aluminium, fliser, stein, plast og lette konstruksjonsmaterialer som holdes i en fast posisjon. Det er ikke beregnet for profesjonell bruk. Dette verktøyet er tiltent både fagarbeidere og private brukere.

## Sikkerhetsinstruksjoner

### Generelle sikkerhetsadvarsler for elektroverktøy



**Advarsel!** Les alle sikkerhetsadvarsler og alle instruksjoner. Hvis advarslene og anvisningene nedenfor ikke overholdes, kan det medføre elektrisk støt, brann og/eller alvorlige personskader.

**Ta vare på alle advarsler og instruksjoner for fremtidig bruk.** Begrepet "elektroverktøy" i advarslene gjelder nettdrevet elektroverktøy (med ledning) eller batteridrevet elektroverktøy (uten ledning).

### 1. Sikkerhet i arbeidsområdet

- Hold arbeidsområdet rent og godt opplyst.** Rotete eller mørke områder er en invitasjon til ulykker.
- Ikke arbeid med elektroverktøy i eksplosjonsfarlige omgivelser, for eksempel der det befinner seg brennbare væsker, gass eller støv.** Elektrisk verktøy skaper gnister som kan antenne støv eller gasser.
- Ikke barn og andre personer unna når du bruker et elektroverktøy.** Distraksjoner kan føre til at du mister kontrollen.

### 2. Elektrisk sikkerhet

- Støpset til elektroverktøy må passe til stikkkontakten. Aldri modifier støpset på noen måte. Ikke bruk adapterstøpsler til jordede elektriske verktøy.** Umodifiserte støpsler og stikkontakter som passer vil redusere risikoen for elektrisk sjokk.
- Unngå kroppskontakt med jordede overflater som rør, radiatorer, komfyrer og kjøleskap.** Det er økt risiko for elektrisk støt dersom kroppen din er jordat.
- Ikke utsett elektroverktøy for regn eller fuktighet.** Dersom det kommer vann inn i et elektrisk verktøy vil det øke risikoen for elektrisk sjokk.
- Unngå uforsvarlig behandling av ledningen. Aldri bruk ledningen til å bære, trekke eller dra ut støpset til det elektriske verktøyet. Hold ledningen borte fra varme, olje, skarpe kanter eller bevegelige deler.** Skadede eller innviklede ledninger øker risikoen for elektrisk sjokk.

- e. Når du bruker et elektroverktøy utendørs, må du bruke en skjøteledning som er egnet til utendørs bruk. Bruk av en skjøteledning beregnet for utendørs bruk reduserer risikoen for elektrisk støt.
- f. Hvis du ikke kan unngå å bruke elektroverktøy på et fuktig sted, må du bruke en strømforsyning som er beskyttet med jordfeilbryter. Bruk av jordfeilbryter (RCD) reduserer risikoen for elektrisk sjokk.
- ### 3. Personikkerhet
- a. Vær oppmerksom, pass på hva du gjør, og vis fornuft når du arbeider med et elektroverktøy. Ikke bruk et elektrisk verktøy dersom du er trøtt eller er påvirket av medikamenter, narkotika eller alkohol. Ett øyeblikks uoppmerksomhet under bruk av elektriske verktøy kan føre til alvorlig personskade.
- b. Bruk personlig verneutstyr. Bruk alltid vernebriller. Verneutstyr slik som støvmaske, skliskire vernesko, hjelm, eller hørselsvern brukt under passende forhold vil redusere personskader.
- c. Forhindre utilsikket start. Kontroller at bryteren står i posisjon "av" før du kobler til strømkilden og/eller batteripakken, og før du tar opp eller bærer verktøyet. Å bære elektriske verktøy med fingeren på bryteren eller å sette inn støpselet mens elektriske verktøy har bryteren på øker faren for ulykker.
- d. Fjern eventuelt innstillingsverktøy eller skruverktøy før du slår på elektroverktøyet. Et skruverktøy eller en nøkkel som fortsatt er festet til en roterende del av elektroverktøyet, kan føre til personskade.
- e. Ikke strekk deg for langt. Ha godt fotfeste og stå støtt hele tiden. Dette fører til at du har bedre kontroll over det elektriske verktøyet ved uventede situasjoner.
- f. Bruk egnede klær. Ikke ha på deg løstsittende klær eller smykker. Hold hår, antrekk og hansker borte fra bevegelige deler. Løstsittende klær, smykker og langt hår kan bli fanget opp av bevegelige deler.
- g. Hvis det kan monteres støvavsug- og oppsamlingsinnretninger, må du forvisse deg om at disse er tilkoblet og brukes på riktig måte. Bruk av støvoppsamlere kan redusere støvrelaterede farer.
- ### 4. Bruk og behandling av elektroverktøy
- a. Ikke bruk makt på elektroverktøyet. Bruk det elektriske verktøyet som situasjonen krever. Det riktige elektriske verktøyet vil gjøre jobben bedre og tryggere ved den hastigheten det ble konstruert for.
- b. Ikke bruk elektroverktøyet hvis du ikke kan slå det på og av med bryteren. Ethvert elektrisk verktøy som ikke kan kontrolleres med bryteren er farlig og må repareres.
- c. Trekk støpselet ut av stikkkontakten og/eller koble fra batteripakken på elektroverktøyet før du utfører innstillinger, bytter tilbehør eller legger elektroverktøyet bort. Slike preventive sikkerhetsforanstaltninger reduserer risikoen for å starte det elektriske verktøyet ved et uhell.
- d. Elektroverktøy som ikke er i bruk, må oppbevares utilgjengelig for barn. Ikke la verktøyet bli brukt av personer som ikke er fortrolige med det, eller som ikke kjenner disse instruksjonene. Elektriske verktøy er farlige i hendene på utrenede brukere.
- e. Sørg for vedlikehold av elektroverktøy. Undersøk om bevegelige deler er feiljustert eller blokkert, om deler er skadet, og om det er andre forhold som kan påvirke elektroverktøyet funksjon. Dersom det er skadet, få verktøyet reparert før neste bruk. Mange ulykker forårsakes av dårlig vedlikeholdte verktøy.
- f. Hold skjæreverktøy skarpe og rene. Godt vedlikeholdte skjæreverktøy med skarpe skjærekanter setter seg mindre sannsynlig fast og er lettere å kontrollere.
- g. Bruk elektroverktøy, tilbehør, bor osv. i henhold til disse instruksjonene. Ta hensyn til arbeidsforholdene og arbeidet som skal utføres. Bruk av det elektriske verktøyet for oppgaver som er forskjellige fra de som er tiltenkt kan føre til en farlig situasjon.
- ### 5. Service
- a. Elektroverktøy skal repareres av kvalifisert personell og bare med originale reservedeler. Dette vil sikre at verktøyet sikkerhet blir ivaretatt.

## Sikkerhetsinstrukser for alle sager

### Skjæreprosedyrer



**Far!** Hold hendene unna skjæreamrådet og bladet. Hold den andre hånden på hjelp-ehåndtaket eller motorhuset. Med begge hender på sagen kan de ikke kuttes av bladet.

- ◆ Ikke strekk hånden under arbeidsstykket. Beskyttelsen kan ikke beskytte deg fra bladet under arbeidsstykket.
- ◆ Juster kuttdybden til arbeidsstykkets tykkelse. Mindre enn en hel tann på bladet skal være synlig under arbeidsstykket.
- ◆ Hold aldri arbeidsstykket i hendene eller over benet ditt. Fest arbeidsstykket på et stabilt grunnlag. Det er viktig at arbeidsstykket støttes ordentlig for å minimere risikoen for personskade, at bladet setter seg fast eller at du mister kontroll.
- ◆ Hold det elektriske verktøyet kun i isolerte gripeoverflater når du utfører operasjoner hvor kutteutstyret kan komme i kontakt med skjulte ledninger eller egen ledning.

Hvis skjæretilbehøret kommer i kontakt med en strømførende ledning, kan frittliggende metaldeler på verktøyet bli strømførende, og brukeren kan få elektrisk støt.

- ◆ **Ved langsgående saging, bruk alltid en føring eller en rett styrekant.** Dette forbedrer kuttets nøyaktighet og reduserer muligheten for at bladet setter seg fast.
- ◆ **Bruk alltid blad med korrekt størrelse og form (diamant kontra rund) på festehullet.** Blad som ikke passer til festemekanismen på sagen vil gå eksentrisk som fører til at du mister kontrollen.
- ◆ **Bruk aldri skadede eller uriktige bladpakninger eller bolt.** Bladpakningene og bolt er spesialtilpasset sagen, for optimal ytelse og driftssikkerhet.



**Advarsel!** Kontakt med eller innånding av støv som oppstår ved saging, kan være helseskadelig for brukeren og eventuelle personer i nærheten. Bruk en støvmaske som er spesielt utformet for å beskytte mot støv og damp/gass, og pass på at personer som er i eller kommer inn i arbeidsområdet, også er beskyttet.

- ◆ Fjern alt støv grundig etter saging.
- ◆ Ikke la barn eller gravide komme inn der du arbeider.
- ◆ Ikke spis, drikk eller røyk der du arbeider.
- ◆ Kvitt deg med støvpartikler eller annet avfall på en miljøvennlig måte.
- ◆ Bruksområdet er beskrevet i denne bruksanvisning. Hvis du bruker annet tilbehør, kobler til annet utstyr eller bruker dette produktet til andre oppgaver enn det som er anbefalt i denne håndboken, kan det medføre fare for personskader og/eller skade på eiendom.
- ◆ Tilbehøret vil fortsatt være i bevegelse etter at bryteren er satt i av-stilling. Slå alltid verktøyet av, og vent til tilbehøret stanser helt, før du setter verktøyet ned.
- ◆ **Hold bladene skarpe.** Sløve eller skadede sagblader kan få sagen til å bøye av eller stanse under press. Bruk alltid sagblader som egner seg for arbeidsstykkets materiale og den type saging det er snakk om.
- ◆ Når du sager rør eller kanaler, må du kontrollere at de er fri for vann, elektriske ledninger osv.
- ◆ Ikke berør arbeidsstykket eller sagbladet straks etter at du har brukt verktøyet. De kan bli svært varme.
- ◆ Vær oppmerksom på skjulte farer før du sager i vegger, gulv eller tak. Lokaliser eventuelle kabler og rør.
- ◆ Unngå å skjære i spikre, inspiser materialet som skal skjæres for å se om det finnes spikre i det, og fjern dem eventuelt før du begynner å skjære.
- ◆ Ikke kjør sagen mens du bærer den langs siden.
- ◆ Sørg for at dybdelåsspaken er strammet til og festet før du begynner å skjære.

- ◆ Hvis skjæringen avbrytes eller bladet setter seg fast, må du slippe utløseren umiddelbart og holde sagen godt mot materialet til bladet har stanset helt. Prøv aldri å ta sagen bort fra arbeidet eller trekke den bakover mens bladet er i bevegelse. Ellers kan det forekomme tilbakeslag.

## Ytterligere sikkerhetsinstruksjoner for alle sager

### Årsaker til tilbakeslag og relaterte advarsler

- ◆ tilbakeslag er en plutselig reaksjon på et fastklemt eller feiljustert sagblad og forårsaker at en ukontrollert sag reiser seg opp og ut av arbeidsstykket mot operatøren;
- ◆ når bladet er festklemt ved at snittet lukker seg, blir bladet sittende fast og motorens reaksjon fører enheten raskt tilbake mot operatøren;
- ◆ dersom bladet blir vridd eller feilinnrettet i kuttet kan tennene bak på bladet grave seg inn i treverkets overflate og forårsake at bladet kommer ut av snittet og hopper tilbake mot operatøren.

Tilbakeslag er et resultat av feil bruk av verktøyet og/eller feil brukerprosedyrer eller forhold, og kan unngås ved å ta riktige forholdsregler som forklart nedenfor.

- ◆ **Hold et fast grep med begge hender på sagen og ha armene i en stilling som kan motstå tilbakeslagskraften. Posisjoner kroppen til den ene eller andre siden av bladet, ikke på linje med bladet.** Tilbakeslag kan føre til at sagen hopper bakover, men tilbakeslagskraften kan kontrolleres av operatøren dersom skikkelige forholdsregler treffes.
- ◆ **Når bladet setter seg fast eller når du avbryter saging av noen grunn, slipp bryteren og hold sagen stille i materialet inntil bladet stopper helt. Forsøk aldri å fjerne sagen fra arbeidsstykket eller å dra sagen bakover mens bladet er i bevegelse, tilbakeslag kan skje.** Undersøk og sørg for å fjerne årsakene til fastklemming av bladet.
- ◆ **Når du starter en sag på nytt i arbeidsstykket, plasser sagbladet sentrert i snittet og sjekk at sagtennene ikke sitter i materialet.** Dersom sagbladet kjører seg fast, kan det "vandre" opp eller slå tilbake opp fra arbeidet når sagen startes på nytt.
- ◆ **Støtt opp store arbeidsstykker for å redusere risikoen for tilbakeslag og at bladet setter seg fast.** Store arbeidsstykker har en tendens til å henge ned under sin egen vekt. Støtter må plasseres under arbeidsstykket på begge sider, nær skjærelinjen og nær kanten av arbeidsstykket.
- ◆ **Ikke bruk sløve eller skadede blader.** Uskarpe eller feilstilte blad gir et smalt sagspor som gir for høy friksjon, faskjøring av bladet eller tilbakeslag.



- ◆ **Spaker for stilling av bladdybde og skråstilling skal være tilskrudd og festet før du sager.** Dersom bladets stilling endres ved saging, kan det føre til fastkjøring eller tilbakeslag.
- ◆ **Vær ekstra varsom når du sager inn i eksisterende vegger eller andre steder der du ikke ser.** Det utstikkende bladet kan skjære gjenstander som kan føre til tilbakeslag.

## Nedre beskyttelse

- ◆ **Kontroller at beskyttelsen lukkes riktig før hver gangs bruk. Ikke bruk sagen hvis beskyttelsen ikke beveger seg fritt og omslutter bladet straks. Du må aldri klemme fast eller binde beskyttelsen slik at bladet eksponeres.** Hvis du mister sagen ved et uhell, kan beskyttelsen bli bøyd. Kontroller at beskyttelsen beveger seg fritt og ikke berører bladet eller noen annen del ved alle vinkler og skjæredybder.
- ◆ **Kontroller funksjon av fjæren til nedre beskyttelsen. Dersom beskyttelsen og fjæren ikke fungerer riktig må de på service før bruk.** Nedre beskyttelse kan fungere tregt på grunn av skadede deler, gummibelegg eller oppbygging av avfall.
- ◆ **Den nedre beskyttelsen kan trekkes tilbake manuelt bare ved spesielle kutt som «dykkkutt» og «sammensetningskutt». Løft den nedre beskyttelsen med det innskyvbare håndtak, og så fort bladet går inn i materialet må den nedre beskyttelsen slippes.** For all annen saging skal den nedre beskyttelsen fungere automatisk.
- ◆ **Påse alltid at den nedre beskyttelsen dekker bladet før du setter fra deg sagen på benken eller gulvet.** Et ubeskyttet, frirullende blad får sagen til å bevege seg bakover, og den kutter alt som måtte være i veien. Vær oppmerksom på tiden det tar bladet å stoppe etter at bryteren slippes.

## Sagblader

- ◆ Ikke bruk blader med større eller mindre diameter enn anbefalt. For opplysninger om riktig skjærekapasitet, se tekniske data. Bruk kun sagbladespesifisert i denne manualen, som er i samsvar med EN 847-1.
- ◆ **Advarsel!** Slipeskiver må aldri brukes.

## Andre persons sikkerhet

- ◆ Dette apparatet kan brukes av barn som er 8 år eller eldre samt av personer som har reduserte fysiske, sansesmessige eller mentale evner, eller som mangler erfaring og kunnskap, hvis de har tilsyn eller har fått veiledning i bruk av apparatet på en trygg måte og forstår farene som foreligger.

- ◆ Barn skal ikke leke med apparatet. Rengjøring og brukervedlikehold skal ikke utføres av barn uten tilsyn.

## Restrisikoer

Når verktøyet brukes, kan det oppstå ytterligere risikoer som kanskje ikke er beskrevet i de medfølgende sikkerhetsadvarslene. Disse risikoene kan bli forårsaket av feil bruk, langvarig bruk osv.

Selv om de relevante sikkerhetsbestemmelsene blir fulgt, og sikkerhetstiltakene blir gjennomført, kan visse gjenværende risikoer ikke unngås. Disse inkluderer:

- ◆ Personskader som forårsakes av berøring av en roterende/bevegelig del.
- ◆ Personskader som oppstår ved skifte av deler, blader eller tilbehør.
- ◆ Personskader som skyldes for lang tids bruk av verktøyet. Når du bruker et verktøy i lange perioder, må du sørge for å ta regelmessige pauser.
- ◆ Hørselskader.
- ◆ Helsefarer forårsaket av innånding av støv som utvikler seg når du bruker verktøyet (eksempel: arbeid med tre, spesielt eik, bøk og MDF.)

## Vibrasjon

Vibrasjonsemisjonsverdien som er angitt under tekniske data og samsvarserklæring, er blitt målt i henhold til en standard testmetode som er angitt i EN 60745, og kan brukes til å sammenligne et verktøy med et annet. Den oppgitte vibrasjonsemisjonsverdien kan også brukes til en foreløpig vurdering av eksponering.

**Advarsel!** Vibrasjonsemisjonsverdien under faktisk bruk av elektroverktøyet kan avvike fra den oppgitte verdien avhengig av måten verktøyet blir brukt på. Vibrasjonsnivået kan øke over nivået som er oppgitt.

Når det vurderes vibrasjonseksponering for å avgjøre hvilke sikkerhetstiltak som kreves ifølge 2002/44/EF, for å beskytte personer som bruker elektroverktøy regelmessig til arbeidsformål, skal det, når vibrasjonseksponeringen anslås, tas hensyn til de faktiske bruksforholdene og måten verktøyet blir brukt på. Dette inkluderer å ta hensyn til alle deler av brukssyklusen, for eksempel når verktøyet er avslått, når det går på tomgang og når utløseren er trykket inn.

## Etiketter på verktøyet

De følgende symbolene sammen med datokode vises på apparatet:



**Advarsel!** Brukeren må lese håndboken for å redusere risikoen for personskade.



Bruk vernebriller.



Bruk hørselvern.



Bruk en støvmaske.



Produktet skal ikke benyttes av barn under 16 år.



Ingen hender-området – hold fingre og armer unna sagblad som roterer.



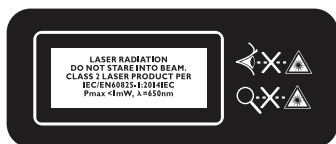
Benytt hansker når du håndterer sag-blader.



**Advarsel!** Laserstråling.



Ikke se på laserstrålen direkte med optiske instrumenter.



## Elektrisk sikkerhet



Dette verktøyet er dobbeltisolert. Jording er derfor ikke nødvendig. Kontroller alltid at strømforsyningen samsvarer med spenningen på merkeskiltet.

- ◆ Hvis strømledningen blir skadet, må den skiftes av produsenten eller et autorisert Stanley Fat Max-servicesenter så man unngår fare.

## Funksjoner

Dette verktøyet har noen av eller alle følgende egenskaper.

1. Av/på-bryter
2. Kuttedybde-skalering
3. Klemme for innstilling av kuttedybde
4. Nedre beskyttelse
5. Justeringsknott for parallellanlegg
6. Parallellanlegg
7. Fotplate
8. Klemmeflens
9. Bladbolt
10. Utløserlås og skoutløserknapp
11. Ventilasjonsslisser
12. Lasersyn
13. Kobling for støvutsuging
14. Spindellåsknapp

15. Sekskantnøkkel
16. Diamantsagblad
17. Sagblad i herdet stål
18. TCT sagblad
19. Støvsugerslange
20. Skjærelinjeindikator

## Montering

Kontroller for skader på verktøy, deler og tilbehør som kan ha oppstått under transporten. Ta deg tid til å lese denne håndboken grundig, slik at du forstår alt innholdet, før montering og betjening

## Bruk

**Advarsel!** La verktøyet arbeide i sin egen hastighet. Må ikke overbelastes.

## Slå på og av (fig. A)

**Merk:**Før du aktiverer på/av-bryteren, må du kontrollere sagbladet for å se at det er festet riktig og at det går jevnt, og at klemmeskruen er godt strammet.

- ◆ Trykk på utløserlåsen og skoutløserlåsen (10) for å slippe utløseren.
- ◆ Slå på verktøyet ved å trekke i utløserbryteren (1).
- ◆ Slå av verktøyet ved å slippe utløserbryteren (1).

## Slik justerer du skjæredybden (0-28,5 mm) (fig.B)

- ◆ Løsne klemmen (3).
- ◆ Still inn ønsket skjæredybde ved hjelp av skapaen (2).
- ◆ Stram til klemmen (3)
- ◆ For skjæring med optimal kvalitet skal sagbladet ikke gå mer enn 3 mm utenfor arbeidsstykke
- ◆ Vær oppmerksom på at den faktiske skjæredybden til diamantskiven er omtrent 2 mm forskjellig fra skjæredybden som angis på skalaen (2).

**Merk:** Foreta alltid først en prøveskjæring for å verifisere den faktiske skjærelinjen.

## Støvopsuging (fig. C)

- ◆ koble støvsugerslanen (19) til kobleingen (13) og støvsugeren, som vist.

**Advarsel!** La aldri støvsugerslangen komme i veien for det nedre dekslet eller skjæringen.

**Advarsel!** Ikke bruk støvsuger når du skjærer metall.

## Slik skifter du sagblad (fig. D - G)

**Advarsel!** Før du skifter ut bladene eller utfører vedlikehold, må du sørge for at verktøyet er slått av og koblet fra strømkilden.

- ◆ Still inn skjæredybden til makspunktet (fig. D).
- ◆ Bruk den medfølgende sekskantnøkkelen (15).

- ◆ Trykk på spindellåseknappen (14) og hold den inne (fig. E).  
Ta ut bladbolten (9) ved å dreie sekskantnøkkelen (15) MED KLOKKEN (= i samme retning som pilen som er gravert på vernet) (fig. F).
- ◆ Trykk ut spindellåseknappen (14).
- ◆ Ta ut flensen (8).
- ◆ Trykk på knappen (10) med tommelen din
- ◆ Løft foten (7) og ta ut sagbladet.
- ◆ Monter et nytt blad og sørg for at bladet roterer i samme retning som pilen som er inngravert på vernet.
- ◆ Monter flensen (8).
- ◆ Stram bladbolten godt (9) ved å dreie sekskantnøkkelen (15)  
MOT KLOKKEN samtidig som du trykker på spindellåseknappen (14).
- ◆ Trykk ut spindellåseknappen (14).

### Slik betjener du verktøyet (fig. H - M)

- ◆ Set ønsket fresedybde.
- ◆ Koble kontakten til strømkilden.
- ◆ Trykk på knappen (10) med tommelen din.
- ◆ Plasser verktøyet slik at fremsiden av foten ligger flatt mot arbeidsstykket.
- ◆ Vipp verktøyet forover med skjærelinjeindikatoren (20) stilt inn mot ønsket skjærelinje, markert på arbeidsstykket (fig. H).
- ◆ Sørg for at sagtennene ikke sitter i arbeidsstykket.
- ◆ Slå på verktøyet.
- ◆ Verktøyet skal kjøre i full hastighet før bladet går inn i arbeidsstykket.
- ◆ Unngå å bruke makt på verktøyet (bruk lett og kontinuerlig trykk får å unngå at bladtuppene overopphetes og, når du skjærer i plast, smelter plastmaterialet).
- ◆ Når du arbeider skal du alltid holde verktøyet etter de isolerte gripeområdene.
- ◆ Når skjæringen er fullført, slår du av verktøyet ved å slippe utløserknappen (1).
- ◆ Sikre at bladet har stanset helt før du løfter verktøyet opp fra arbeidsstykket.

### Elektrisk funksjon. Laserstrålefunksjon (fig. I)

**Forsiktig!** Når den ikke er i bruk, skal du alltid skru av laseren.

Du skal aldri se direkte inn i laserstrålen; laserstrålen kan skade øynene dine.

LASERSTRÅLING: IKKE STIRR INN I LASERSTRÅLEN eller noe KLASSE II PRODUKTER.

Før du skifter laserlinje eller utfører vedlikeholdsjusteringer, vær helt sikker på at verktøyet ikke er koblet til strøm.

- ◆ For å skru laseren på/av, vipp bryteren (12a) bak på laserhuset.

### Rensing av linsen til laserlyset

Hvis linsen til laserlyset blir skittent, eller hvis sagspon fester seg til den på en slik måte at laserlinjen ikke lenger er lett synlig, skal du koble sagen fra strømmen og rense linsen forsiktig med en fuktig, myk klut. IKKE bruk løsemidler av noen type, de kan skade linsen.

**Merk:** Når laserlinjen er dimmet og nesten eller helt usynlig på grunn av direkte sollys i det innen-eller utendørsvinduet der du arbeider, skal du skifte arbeidsområde til et sted der det ikke utsettes for direkte sollys.

**Merk:** Alle justeringer for bruk av denne maskinen har blitt utført ved fabrikk.

**Forsiktig:** Bruk av kontroller, justeringer eller utføring av andre prosedyrer enn de spesifisert her kan resultere i farlig eksponering for stråling. Bruken av optiske instrumenter med dette produktet vil øke sjansen for øyeskader. Ikke forsøk å reparere eller demontere laseren. Hvis ukvalifiserte personer prøver å reparere laseren kan dette føre til alvorlig personskade. Reparasjon som kreves på dette laserproduktet skal utføres av autorisert servicesenterpersonell.

### Innstikksaging (fig. J)

- ◆ Trykkknapp (10).
- ◆ Slå på verktøyet.

**Advarsel!** Verktøyet skal kjøre i full hastighet før bladet settes ned på arbeidsstykket.

- ◆ Vipp verktøyet forover med skjærelinjeindikatoren (20) rettet mot den ønskede skjærelinjen på arbeidsstykket. Beveg verktøyet gradvis fremover.

**Advarsel!** Verktøyet må aldri trekkes bakover.

### Slik bruker du parallellstyringen (fig. K)

- ◆ For å lage nøyaktige kutt langs kanten av et arbeidsstykke.
- ◆ Kan settes inn på hvilken som helst side av foten.

### Slik justerer du parallellstyringen

- ◆ Løsne knotten (5)
- ◆ Juster til ønsket skjærebredde ved hjelp av parallellstyringsskalaen (bruk skjærelinjeindikatoren (20) som 0-referanse).
- ◆ Stram knotten (5).

### Råd for optimal bruk

- ◆ Bruk bare skarpe sagblader av riktig type og størrelse (fig. L).
- ◆ Bruk sagblader av herdet stål (17) for å skjære i tre, aluminium, plast og alle typer laminert tre
- ◆ Bruk diamantsag til (16) å skjære i keramikk og fliser
- ◆ Bruk karbidkantblader (18) utelukkende til tre og plast

## Saging av store paneler (fig. M)

- ◆ Støtt panelet i nærheten av skjærestedet, enten på gulvet, et bord eller en arbeidsbenk.

**Advarsel!** Still inn skjæredybden slik at du skjærer gjennom panelet

og ikke gjennom støtten.

- ◆ Hvis parallelanlegget ikke gir ønsket skjærebredde, kan du klemme eller spikre fast et rett trestykke til arbeidsstykket som styring, og bruke høyre siden av foten mot denne styringen.

## Flisfri skjæring

- ◆ Alltid vend den gode siden av arbeidsstykket ned - fest et rett trestykke på arbeidsstykket ved hjelp av 2 klemmer.

## Skjæring av spesielt vanskelige eller slipende materialer

### Bløtt blikk

- ◆ Still alltid dybdejusteringen minst 1 mm dypere enn materialtykkelsen, for å unngå at bladet kjøres opp til over overflaten. Det trengs skrapmateriale under arbeidsflaten.
- ◆ Fjern sporer og rust, da disse hindrer mating over materialet.
- ◆ Tykk bivoks (møbelpoleringsmiddel) kan påføres verktøys grunflate for å gjøre det lettere å skjære i metall.
- ◆ Kun egnet for skjæring i messing, kopper, bly og aluminium.
- ◆ To minutters metallskjæring skal alltid etterfølges av 3 minutters hvile.

### Keramikkfliser, plater osv.

- ◆ Bruk bare blad som er spesialutviklet for dette formålet.
- ◆ Bruk alltid med en egnet støvsuger eller støvuttrekker tilkoblet, da støvet kan være farlig for operatøren og hindre at beskyttelsen fungerer slik den skal.

### Gipsplate:

- ◆ Innstikksagen anbefales kun for uregelmessig utskjæring av gipsplater og skal alltid brukes med en egnet støvsuger eller støvuttrekker tilkoblet. Støvet kan hindre at vernet fungerer slik det skal.
- ◆ Vanlige verktøy som f.eks. patentsager og kniver gir vanligvis utmerkede resultater, men innstikksagen kan brukes hvis det kreves et spesielt fint og støvfritt kutt, eller hvis det er fare for å skjære i rør eller kabler.

### Vedlikehold

Det nettdrevne/batteridrevne Stanley Fat Max-apparatet/verktøyet er konstruert for å være i drift over lengre tid med et minimum av vedlikehold.

For at den skal fungere tilfredsstillende over tid, er det viktig å sørge for riktig stell av verktøyet og regelmessig renhold.

**Advarsel!** Før du utfører vedlikehold på elektriskdrevet/batteridrevet elektroverktøy:

- ◆ Slå av apparatet/verktøyet og trekk ut støpselet.
- ◆ Eller slå av apparatet/verktøyet og fjern batteriet fra dette hvis apparatet/verktøyet har separat batteripakke.
- ◆ Eller la batteriet gå helt tomt hvis det er innebygd, og slå deretter av.
- ◆ Rengjør ventilasjonsåpningene i apparatet/verktøyet/laderen jevnlig med en myk børste eller tørr klut.
- ◆ Rengjør motorhuset regelmessig med en fuktig klut. Ikke bruk slipende eller løsemiddelbaserte rengjøringsmidler.

**Advarsel!** Hvis en eller flere av følgende hendelser forekommer under normal drift, skal strømtilførselen avstenges umiddelbart, og verktøyet skal inspiseres grundig av en kvalifisert person, og repareres om nødvendig:

- ◆ De roterende delene sitter fast eller hastigheten synker til et unormalt lavt nivå.
- ◆ Verktøyet riter unormalt og avgir uvanlige lyder.
- ◆ Motorhuset blir unormalt varmt.
- ◆ Det kommer tunge gnister ut rundt motorområdet

### Skifte støpsel (bare Storbritannia og Irland)

Dersom du trenger å sette på et nytt støpsel:

- ◆ Deponer det gamle støpselet pluggen på miljøvennlig måte.
- ◆ Koble den brune ledningen til det strømførende tilkoblingspunktet i det nye støpselet.
- ◆ Koble den blå ledningen til nøytral-pinnen.

**Advarsel!** Jordingslederen skal ikke kobles til. Følg monteringsanvisningen som medfølger støpsler av god kvalitet. Anbefalt sikring: 5 A.

### Miljøvern



Separat avfallshåndtering. Produkter og batterier merket med dette symbolet skal ikke kastes i vanlig husholdningsavfall.

Produkter og batterier inneholder materialer som kan gjenbrukes eller gjenvinnes for å redusere behovet for nye råmaterialer. Vennligst lever elektrisk utstyr og batterier til gjenbruk i henhold til lokale regler. Mer informasjon finner du på [www.2helpU.com](http://www.2helpU.com)

### Tekniske data

		FME380
Spenning	$V_{AC}$	230

Ubelastet hastighet	min <sup>-1</sup>	4500
Bladstørrelse	mm	89
Maks. skjæredybde (bløtt tre)	mm	28,5
Maks. skjæredybde (fliser)	mm	8
Maks. skjæredybde (aluminium)	mm	3

Lydtrykknivå i henhold til EN 60745:		
Sirkelsagfunksjon: Lydtrykk (L <sub>p</sub> )	90 dB(A), usikkerhet (K) 3 dB(A)	
Lydeffekt (L <sub>W</sub> )	101 dB(A), usikkerhet (K) 3 dB(A)	
Kappemaskinfunksjon: (L <sub>p</sub> )	97 dB(A), usikkerhet (K) 3 m/s <sup>2</sup>	
Lydeffekt (L <sub>W</sub> )	108 dB(A), usikkerhet (K) 3 dB(A)	

Totale vibrasjonsverdier (triax vektorsum) bestemt i samsvar med EN 60745:		
Skjære i tre (a <sub>v</sub> )	2,4 m/s <sup>2</sup> , usikkerhet (K) 1,5 m/s <sup>2</sup>	
Metallskjæring (a <sub>vM</sub> )	5,5 m/s <sup>2</sup> , usikkerhet (K) 1,5 m/s <sup>2</sup>	
Skjære i betongplater (a <sub>v</sub> )	5,5 m/s <sup>2</sup> , usikkerhet (K) 1,5 m/s <sup>2</sup>	

### EU-samsvarserklæring MASKINERIDIREKTIV



FME380 Kompakt t multimaterialsag

Stanley Europe erklærer at disse produktene som er beskrevet under «Tekniske data», er i samsvar med: 2006/42/EC, EN62841-1:2015, EN 62841-2-5:2014

Disse produktene er også i samsvar med direktiv 2014/30/EU og 2011/65/EU. Hvis du ønsker mer informasjon, kontakt Stanley Europe på følgende adresse, eller se på baksiden av håndboken.

Undertegnede er ansvarlig for utarbeidelsen av den tekniske dokumentasjonen og gir denne erklæringen på vegne av Stanley Europe.

R. Laverick  
Engineering Manager  
Stanley Europe, Egide Walschaertsstraat14-18,  
2800 Mechelen, Belgia  
23.08.2016

## Garanti

Stanley Europe er trygg på kvaliteten av produktene sine og tilbyr en 12 måneders garanti fra kjøpsdato. Denne garantierklæringen kommer i tillegg til dine lovbestemte rettigheter og er ikke i konflikt med disse. Garantien er gyldig innen områdene tilhørende medlemslandene i den Europeiske Union (EU) og det Europeiske Frihandelsområdet (EFTA).

For å ta garantien i bruk må kravet være i samsvar med kjøpsbetingelsene fra Stanley Europe og du må vise kjøpskvittering til forhandleren eller til et autorisert serviceverksted. Betingelsene for Stanley Europes 1 års garanti og adressen til din nærmeste autoriserte serviceverksted kan du finne på internett under [www.2helpU.com](http://www.2helpU.com), eller ved å kontakte ditt lokale Stanley FatMax-kontor, adressen er angitt i denne bruksanvisningen.

Besøk vår webside [www.stanley.eu/3](http://www.stanley.eu/3) for å registrere ditt nye Stanley FatMax-produkt og for å holde deg oppdatert om nye produkter og spesialtilbud.

(Oversættelse af de oprindelige instruksjoner)

## Tilsigtet brug

Din Stanley Fat Max FME380 kompakte sav til forskellige materialer er blevet udformet til savning på langs og tværs af træ, spånplader, krydsfiner, aluminium, tegl, sten, plastik og lette konstruktionsmaterialer, der holdes i en fastholdt position. Værktøjet er kun beregnet til at lave korte snit. Dette værktøj er beregnet til erhvervsmæssige brugere og private ikke-erhvervsmæssige brugere.

## Sikkerhedsinstruktioner

### Generelle sikkerhedsadvarsler vedrørende elværktøj



**Advarsel!** Læs alle sikkerhedsadvarsler og alle instruktioner. Hvis nedenstående advarsler og instruktioner ikke følges, er der risiko for elektrisk stød, brand og alvorlige kvæstelser.

### Gem alle advarsler og instruktioner til senere brug.

Begrebet "elværktøj", der benyttes i nedenstående advarsler, henviser til netdrevet elværktøj (med netledning) eller batteridrevet værktøj (uden netledning).

#### 1. Sikkerhed i arbejdsområdet

a. **Hold arbejdsområdet rent og ordentligt oplyst.** Rodede eller mørke områder giver anledning til ulykker.

- b. **Brug ikke elværktøj i eksplosive omgivelser, f.eks. hvor der er brændbare væsker, gasser eller støv.** Elværktøj danner gnister, der kan antænde støv eller dampe.
- c. **Hold børn og andre personer i nærheden på afstand, når der arbejdes med elværktøj.** Distractioner kan medføre, at du mister kontrollen.
2. **Elektricitet og sikkerhed**
- a. **Elværktøjets stik skal passe til kontakten. Stikket må aldrig modificeres på nogen måde. Undlad at bruge adapterstik sammen med jordforbundet elektrisk værktøj.** Umodificerede stik og dertil passende stikkontakter reducerer risikoen for elektrisk stød.
- b. **Undgå kropskontakt med jordforbundne overflader som f.eks. rør, radiatorer, komfurer og køleskabe.** Der er øget risiko for elektrisk stød, hvis din krop er jordforbundet.
- c. **Udsæt ikke elværktøj for regn, og brug det ikke, hvor omgivelserne er våde.** Hvis der trænger vand ind i et elektrisk værktøj, øges risikoen for elektrisk stød.
- d. **Pas på, at ledningen ikke beskadiges. Brug aldrig ledningen til at bære, trække værktøjet eller trække det ud af stikkontakten. Hold ledningen borte fra varme, olie, skarpe kanter og bevægelige dele.** Beskadigede eller sammenfiltrede ledninger øger risikoen for elektrisk stød.
- e. **Hvis elværktøj benyttes i det fri, skal der benyttes en forlængerledning, som er godkendt til udendørs brug.** Brug af en ledning, der er egnet til udendørs brug, reducerer risikoen for elektrisk stød.
- f. **Brug en strømkilde med fejlstrømsrelæ, hvis det er nødvendigt at anvende elværktøj på fugtige steder.** Ved at benytte en fejlstrømsafbryder reduceres risikoen for elektrisk stød.
3. **Personssikkerhed**
- a. **Vær opmærksom på, hold øje med, hvad du laver, og brug elværktøjet fornuftigt. Betjen ikke værktøjet, hvis du er træt, påvirket af narkotika, alkohol eller medicin.** Et øjeblikvis uopmærksomhed under anvendelse af et elektrisk værktøj kan forårsage alvorlige kvæstelser.
- b. **Brug personligt beskyttelsesudstyr. Bær altid beskyttelsesbriller.** Sikkerhedsudstyr, såsom støvmaske, skridsikre sikkerhedssko, sikkerhedshjelm eller høreværn, brugt når omstændighederne foreskriver det, reducerer omfanget af personskader.
- c. **Træf forholdsregler, så utilsigtet start ikke er mulig. Kontrollér, at afbryderkontakten står på slukket, inden værktøjet tilsluttes strømkilden og/eller batteriet, samles op eller bæres.** Når elektrisk værktøj bæres med fingeren på kontakten eller tilsluttes, når kontakten er tændt, giver det anledning til ulykker.
- d. **Fjern indstillingsværktøj eller skruenøgle, inden elværktøjet startes.** En skruenøgle eller anden nøgle, der bliver siddende på en roterende del af elektrisk værktøj, kan give anledning til personskade.
- e. **Stræk dig ikke for langt. Hold hele tiden en god fodstilling og balance.** Dette udgør at du har bedre kontrol over det elektriske værktøj, når uventede situationer opstår.
- f. **Brug egnet arbejdstøj. Bær ikke løst tøj eller smykker. Hold dit hår, tøj og handsker væk fra bevægelige dele.** Løstsiddende tøj, smykker eller langt hår kan blive fanget i bevægelige dele.
- g. **Hvis der kan monteres støvudsugnings- og opsamlingsudstyr, skal dette tilsluttes og benyttes korrekt.** Anvendelse af støvopsamlingsudstyr kan begrænse farer forårsaget af støv.
4. **Brug og vedligeholdelse af elværktøj**
- a. **Overbelast ikke elværktøjet. Brug det værktøj, der er bedst egnet til det arbejde, der skal udføres.** Værktøjet vil klare opgaven bedre og mere sikkert med den ydelse, som det er beregnet til.
- b. **Brug ikke elværktøjet, hvis afbryderkontakten er defekt.** Alt elektrisk værktøj, der ikke kan kontrolleres med kontakten, er farligt og skal repareres.
- c. **Træk stikket ud af stikkontakten og/eller batteriet inden indstilling, tilbehørsudskiftning eller opbevaring af elværktøjet.** Sådanne forebyggende sikkerhedsforanstaltninger mindsker risikoen for, at værktøjet startes utilsigtet.
- d. **Opbevar ubenyttet elværktøj uden for børns rækkevidde. Lad aldrig personer, der ikke er fortrolige med elværktøjet, eller som ikke har læst denne vejledning, benytte maskinen.** El-værktøj er farligt i hænderne på personer, som ikke er instrueret i brugen deraf.
- e. **Elværktøj skal vedligeholdes. Kontroller, om bevægelige dele er skæve og ikke sidder fast, og om delene er brækket eller beskadiget, så elværktøjets funktion påvirkes.** Hvis det elektriske værktøj er beskadiget, skal det repareres før brug. Mange ulykker er forårsaget af dårligt vedligeholdt værktøj.
- f. **Hold skæreværktøj skarpt og rent.** Ordentligt vedligeholdt skæreværktøj med skarpe skærekanter har mindre tilbøjelighed til at binde og er lettere at styre.
- g. **Brug elværktøjet, tilbehøret, indsatsværktøj osv. i overensstemmelse med disse instruktioner under hensyntagen til arbejdsforholdene og arbejdet, der skal udføres med værktøjet.** Brug af elektrisk værktøj til andre opgaver end dem, det er beregnet til, kan resultere i en farlig situation.
5. **Service**

- a. Lad kun kvalificerede fagfolk reparere elværktøjet, og benyt kun originale reservedele. Derved sikres det, at værktøjets driftssikkerhed opretholdes.

## Sikkerhedsinstruktioner gældende for alle save

### Skæreprocedurer



**Fare: Hold hænderne væk fra skæreområdet og klingens. Hold din anden hånd på ekstra-håndtaget eller på motorhuset.** Hvis begge hænder holder på savens, kan de ikke blive skåret af klingens.

- ◆ **Ræk ikke ind under arbejdsemnet.** Skjoldet yder ingen beskyttelse mod den del af klingens, der er under materialet.
- ◆ **Justér skæredybden til tykkelsen på arbejdsemnet.** Mindre end én hel tand på klingens må være synlig under materialet.
- ◆ **Hold aldrig det emne, du saver i, i hånden eller over dine ben. Arbejdsemnet skal fikses på et stabilt underlag.** Det er vigtigt at understøtte arbejdsemnet ordentligt for at minimere, at klingens binder eller tab af kontrol og personskaade.
- ◆ **Hold kun fast i elværktøjet ved hjælp af de isolerede håndtagsflader, når der skal saves i emner, hvor skæreværktøjet kan berøre skjulte ledninger eller sit eget kabel.** Hvis skæretilbehøret rammer en strømførende ledning, bliver elværktøjets blotlagte dele strømførende, så brugeren får stød
- ◆ **Brug et land eller en styreskinne, når der saves på langs.** Det øger nøjagtigheden og mindsker risikoen for, at klingens sætter sig fast.
- ◆ **Brug altid klinger med den korrekte størrelse og form (diamant kontra rund) spændehuller.** Klinger, som ikke passer til det monterede hardware på savens, vil køre excentrisk og medføre tab af kontrol.
- ◆ **Brug aldrig beskadigede eller ukorrekte klingspændeskiver eller bolte.** Klingspændeskiverne og boltene er blevet specielt designet til din sav til optimal ydeevne og driftssikkerhed.



**Advarsel!** Berøring af eller indånding af støvpartikler fra savarbejder kan udgøre en fare for både brugerens og eventuelle tilskuers helbred. Bær en specielt designet støvmaske til beskyttelse mod støv og røg, og sørg for, at personer, der befinder sig på eller kommer ind på arbejdsområdet, også er beskyttet.

- ◆ Fjern alt støv grundigt efter savning.
- ◆ Børn og gravide kvinder må ikke betræde arbejdsområdet.
- ◆ Man må hverken spise, drikke eller ryge inden for arbejdsområdet.

- ◆ Støvpartikler og andet affald skal bortskaffes på en sikker måde.
- ◆ Den tilsigtede anvendelse er beskrevet i denne betjeningsvejledning. Brug af ekstraudstyr eller tilbehør eller udførelse af andre opgaver med dette værktøj end de, der anbefales i denne vejledning, kan medføre risiko for personskaade og/eller materiel skade.
- ◆ Tilbehøret fortsætter med at bevæge sig, efter at kontakten er sluppet. Sluk altid værktøjet, og vent, indtil tilbehørets bevægelse er helt ophørt, inden du lægger værktøjet fra dig.
- ◆ **Hold klingerne skarpe.** Døve eller beskadigede klinger kan få savens til at slingre eller standse under pres. Brug altid den rigtige type savklinge til materialet og formålet.
- ◆ Når der saves i rør og rørledninger, er det vigtigt, at de er fri for vand, elektriske ledninger osv.
- ◆ Rør ikke ved materialet eller klingens umiddelbart efter, at værktøjet har været i brug. De kan blive meget varme.
- ◆ Vær opmærksom på skjulte farer, inden der saves i vægge, gulve eller lofter. Kontroller, om der findes ledninger og rør.
- ◆ Undgå at skære i søm. Efterse materialet, der skæres, for at se, om der er søm i det, og fjern dem inden skæring.
- ◆ Lad ikke savens køre, mens du bærer den ved din side.
- ◆ Sørg for, at dybdelåseudløseren er stram og sikker, inden du laver et snit.
- ◆ Når skæringen afbrydes, eller klingens sætter sig fast, bør du frigøre udløseren øjeblikkeligt og holde savens godt på plads i materialet, indtil klingens stopper. Forsøg aldrig at fjerne savens fra arbejdet eller at trække savens tilbage, mens klingens er i bevægelse, da der ellers kan forekomme et tilbageslag.

### Yderligere sikkerhedsinstruktioner for alle save

#### Årsager til tilbageslag og relaterede advarsler

- ◆ tilbageslag er en omgående reaktion på en savklinge, der er blokeret, binder eller sidder skævt, og medfører en ukontrolleret sav, som kører ud og ind af arbejdsemnet imod operatøren;
- ◆ når klingens er blokeret eller binder stramt, når skæringen lukker sammen, standser klingens, og motorreaktionen driver hurtigt enheden tilbage imod operatøren.
- ◆ hvis klingens bliver forvredet eller skævvredet i savsnittet, kan tænderne på det bagerste hjørne af klingens grave ind i træets overflade og medføre, at klingens arbejder sig op af snittet og springer tilbage imod operatøren.

Et tilbageslag (kickback) opstår som følge af forkert brug og/eller misbrug af værktøjet. Det kan undgås ved at tage nedenstående forholdsregler.

- ◆ **Hold godt fast i saven med begge hænder, og anbring armene, så de kan holde saven i tilfælde af et tilbageslag. Anbring din krop på den ene side af klingens, men ikke på linje med klingens.** Tilbageslag kan få saven til at springe baglæns, men tilbageslagskræfterne kan styres af operatøren, hvis der tages korrekte forhåndsregler.
- ◆ **Slip startknappen, og hold saven stille i materialet, indtil klingens er helt stoppet, hvis klingens sætter sig fast, eller der opstår nogen form for uregelmæssighed under arbejdet.** Forsøg aldrig at fjerne saven fra arbejdet eller at trække saven tilbage, mens klingens er i bevægelse, da der ellers kan forekomme et tilbageslag. Find ud af, hvorfor hjulet har sat sig fast, og træf passende forholdsregler, så det ikke kan ske igen.
- ◆ **Når en sav genstartes i et arbejdsemne, centrér savklingen i snittet og kontrollér, at savtænderne ikke sidder fast i materialet.** Hvis savklingen sætter sig fast, kan den arbejde sig op, eller der kan opstå et tilbageslag fra materialet, når saven startes igen.
- ◆ **Understøt lange paneler for at minimere risikoen for, at klingens sidder fast og for tilbageslag.** Større plader har en tendens til at bøje pga. deres vægt. Der skal placeres understøtninger under panelet på begge sider, tæt ved skærelinjen og tæt ved panelets hjørner.
- ◆ **Brug ikke sløve eller beskadigede klinger.** Uskarpe klinger eller klinger, der ikke er sat rigtigt fast, giver en smal skærerille, som medfører friktion og beviker, at klingens kan sætte sig fast, og at der kan opstå tilbageslag.
- ◆ **Klangedybde og smigskårne regulerende låseudløsere skal være strammet og sikret, før der foretages et snit.** Hvis klingens forskubber sig under arbejdet, kan den sætte sig fast, eller der kan opstå et tilbageslag.
- ◆ **Vær især forsigtig, hvis der saves i eksisterende vægge eller andre steder, hvor du ikke kan se, hvad du skærer i.** Klingens, der stikker ud, kan skære i objekter, som kan forårsage tilbageslag.

## Funktion af nederste skjold

- ◆ **Kontroller inden brug, at skjoldet er helt lukket. Anvend ikke saven, hvis skjoldet ikke kan bevæges frit, og omslut klingens med det samme. Forsøg aldrig at klemme eller tvinge skjoldet, så klingens eksponeres.** Hvis saven ved et uheld tabes, kan skjoldet blive bøjet. Kontrollér, at skjoldet kan bevæges frit og ikke kan komme i kontakt med klingens eller andre dele uanset skærevinkel og dybde.
- ◆ **Kontrollér, at den nederste beskyttelsesskærms fjeder fungerer. Hvis beskyttelsesskærmen og fjederen ikke virker korrekt, skal de serviceres før brug.** Den nederste beskyttelsesskærm kan virke træg på grund af ødelagte dele, klæbrige efterladenskaber eller opbygning af efterladenskaber.
- ◆ **Den nederste beskyttelsesskærm må kun trækkes ud manuelt i forbindelse med særlige snit, f.eks. "indsnit" og "kombinerede snit". Hæv den nederste beskyttelsesskærm med tilbagetrækningshåndtaget, og lige så snart klingens skærer ind i materialet, skal den nederste beskyttelsesskærm udløses.** Ved al anden savning bør den nederste beskyttelsesskærm køre automatisk.
- ◆ **Kontrollér altid, at den nederste beskyttelsesskærm dækker klingens, før saven anbringes på bænken eller gulvet.** En ubeskyttet, roterende klinge kan selv uden motorkraft få saven til at køre baglæns og skære i de genstande, den kommer i kontakt med. Vær opmærksom på den tid, det tager for klingens at stoppe, efter der er slukket for kontakten.

## Savklinger

- ◆ Anvend ikke klinger med længere eller mindre diameter end anbefalet. For korrekt vurdering af klinger, se de tekniske data. Brug kun de klinger, der er angivet i denne manual, der opfylder EN 847-1.
- ◆ **Advarsel!** Benyt aldrig slibeskiver.

## Andres sikkerhed

- ◆ Dette værktøj kan bruges af børn i en alder fra 8 år og derover og personer med nedsatte fysiske, sensoriske eller mentale evner eller manglende erfaring og viden, hvis det sker under overvågning, eller de vejledes i brugen af apparatet på en sikker måde, og de forstår de farer, som er forbundet dermed.
- ◆ Børn må ikke lege med værktøjet. Rengøring og brugervenlig vedligeholdelse må ikke foretages af børn uden opsyn.

## Restrisici

Der kan opstå yderligere restrisici under brugen af værktøjet, som muligvis ikke behandles i de vedlagte sikkerhedsadvarsler. Disse risici kan opstå pga. forkert anvendelse, langvarig brug etc.

Selv ved overholdelse af relevante sikkerhedsforskrifter og anvendelse af sikkerhedsudrustning kan visse restrisici ikke undgås. Disse omfatter:

- ◆ Tilskadekomst forårsaget af berøring af roterende/bevægelige dele.
- ◆ Tilskadekomst forårsaget af udsiktning af dele, klinger eller tilbehør.
- ◆ Tilskadekomst forårsaget af langvarig brug af et værktøj. Husk at holde pause jævnlige ved brug af et værktøj i længere tid.
- ◆ Hørenedsættelse.
- ◆ Sundhedsrisici forårsaget af indånding af støv, der genereres ved brug af værktøjet (eksempel: arbejde med træ, især, eg, bøg og MDF.)



## Vibration

De angivne værdier for udsendelse af vibration opført under de tekniske data og overensstemmelseserklæringen er målt i henhold til standardtestmetoden anført i EN 60745 og kan bruges til at sammenligne ét værktøj med et andet. Den angivne vibrationsmissionsværdi kan også bruges som en foreløbig vurdering af eksponeringen.

**Advarsel!** Værdien for vibrationsmission ved faktisk brug af elværktøjet kan afvige fra den angivne værdi afhængig af måden, værktøjet anvendes på. Vibrationsniveauet kan overstige det angivne niveau.

I vurderingen af eksponeringen for vibration med henblik på fastsættelse af sikkerhedsforanstaltninger som krævet i 2002/44/EF til beskyttelse af personer, der jævnligt anvender elværktøj i deres arbejde, skal der tages hensyn til de faktiske betingelser under brugen, og måden værktøjet bruges på, herunder alle arbejdsrytters elementer, f.eks. perioder, hvor værktøjet er slukket, og hvor det kører i tomgang, tillige med startperioderne.

## Mærkatet på værktøjet

Følgende piktogrammer vises på værktøjet sammen med datokoder:



**Advarsel!** Brugeren skal læse brugervejledningen for at reducere risikoen for tilskadekomst.



Bær sikkerhedsbriller eller beskyttelsesbriller.



Bær høreværn.



Bær en støvmaske.



Dette produkt må ikke bruges af børn under 16 år.



Håndfrit område – hold fingre og arme væk fra roterende klinger.



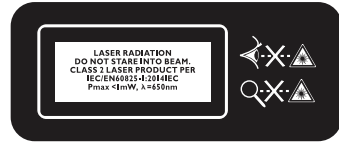
Bær handsker ved håndtering af savblade.



**Advarsel!** Laserstråling.



Se ikke direkte ind i laserstrålen med optiske instrumenter.



## Elektricitet og sikkerhed



Dette værktøj er dobbelt isoleret, derfor er en jordledning ikke nødvendig. Kontrollér altid, at strømforsyningen svarer til spændingen på mærkepladen.

- ◆ Hvis netledningen beskadiges, skal den udskiftes af producenten eller et autoriseret Stanley Fat Max-værksted, så farlige situationer undgås.

## Funktioner

Dette værktøj er i besiddelse af nogle eller alle af de følgende funktioner.

1. Udløserens tænd/sluk-kontakt
2. Skæredybdeskala
3. Klampe til indstilling af skæredybde
4. Nederste beskyttelsesskærm
5. Knap til justering af parallelt styr
6. Parallelt styr
7. Fodplade
8. Spændingsflange
9. Klingebolt
10. Udløserlås og knap til udløsning af sko
11. Ventilationsåbninger
12. Laserfelt
13. Forbindelse til støvudsugning
14. Spindellåseknap
15. Sekskantnøgle
16. Diamant savklinge
17. Savklinge af hærdet stål
18. TCT savklinge
19. Støvopsamlingslange
20. Indikator for skærelinje

## Samling

Kontrollér for eventuelle skader på værktøjet, dele og tilbehør, der kan være opstået under transport. Brug noget tid på at læse denne vejledning omhyggeligt, og forstå hele indholdet inden montering og drift

## Anvendelse

**Advarsel!** Lad værktøjet arbejde i dets eget tempo. Det må ikke overbelastes.

## Sådan tændes og slukkes (fig. A)

**Bemærk:** Inden du trykker på tænd/sluk-knappen, skal du kontrollere savklingen for at se, om den sidder korrekt fast og fungerer problemfrit, og om klingeklampeskruen er strammet godt.

- ◆ Tryk på udløserlåsen og knappen til udløsning af sko (10) for at frigøre udløseren.
- ◆ Tænd for værktøjet ved at trække i udløserkontakten (1).
- ◆ Sluk for værktøjet ved at frigøre udløserkontakten (1).

## Justering af skæredybden (0-28,5 mm) (fig. B)

- ◆ Løsn klampen (3).
- ◆ Indstil den ønskede skæredybde med skalaen (2).
- ◆ Stram klampen (3)
- ◆ For at få et optimalt kvalitetsnit bør savklingen ikke strække sig over 3 mm under arbejdsemnet
- ◆ Vær opmærksom på, at diamantskivens reelle skæredybde afviger ca. 2 mm fra skæredybden angivet på skalaen (2).

**Bemærk:** Lav altid prøvesnit for at verificere den reelle skærelinje.

## Støvsugning (fig. C)

- ◆ slut støvsugerlangen (19) til forbindelsen (13) og støvsugeren, som vist.

**Advarsel!** Lad aldrig støvsugerlangen gribe ind i det nederste skjold eller skæringen.

**Advarsel!** Brug ikke støvsuger, når der saves i metal.

## Udskiftning af savklingen (fig. D - G)

**Advarsel!** Inden du udskifter klinger eller udfører nogen form for vedligeholdelse, skal du sikre dig, at værktøjet er slukket og koblet fra strømkilden.

- ◆ Stil skæredybden til maksimum (fig. D).
- ◆ Brug den medfølgende sekskantnøgle (15).
- ◆ Tryk på spindellåseknappen (14) og hold den nede (fig. E).  
Fjern klingebolten (9) ved at dreje sekskantnøglen (15) MED URET (= i samme retning som pilen trykt på skjoldet) (fig. F).
- ◆ Frigør spindellåseknappen (14).
- ◆ Fjern flange (8).
- ◆ Tryk på knappen (10) med din tommelfinger
- ◆ Løft foden (7) op og fjern savklingen.
- ◆ Installér ny klinge, mens du sikrer dig, at klingen roterer den samme vej som pilen, der er trykt på skjoldet.
- ◆ Monter flange (8).
- ◆ Stram klingebolten (9) godt ved at dreje sekskantnøglen (15)  
MOD URET, mens du trykker på spindellåseknappen (14).
- ◆ Frigør spindellåseknappen (14).

## Betjening af værktøjet (fig. H - M)

- ◆ Indstil den ønskede skæredybde.
- ◆ Slut stikket til en strømkilde.
- ◆ Tryk på knappen (10) med din tommelfinger.
- ◆ Anbring værktøj med fodens forside fladt på arbejdsemnet.
- ◆ Vip værktøjet fremad med indikatoren for skærelinjen (20) ud for den ønskede skærelinje, der er markeret på arbejdsemnet (fig. H).
- ◆ Sørg for, at savtænderne ikke sidder fast i arbejdsemnet.
- ◆ Tænd for værktøjet.
- ◆ Værktøjet bør køre ved fuld hastighed, inden klingens trænger ind i arbejdsemnet.
- ◆ Overbelast ikke værktøjet (anvend let og kontinuert tryk for at forhindre overophedning af klingens spids og, i tilfælde af plastiksavning, at smelte plastikmaterialet).
- ◆ Under arbejdet skal du altid holde værktøjet i de(t) isolerede grebområde(r).
- ◆ Efter savningen skal værktøjet slukkes ved at frigøre udløseren (1).
- ◆ Sørg for, at klingen står helt stille, inden du fjerner værktøjet fra arbejdsemnet.

## Elektronisk funktion. Laserstråle-aktion (fig. I)

**Forsigtig!** Laseren skal slukkes, når den ikke er i brug.

Kig aldrig direkte ind i laserstrålen; laserstråler kan beskadige øjnene.

LASER STRÅLING: KIG IKKE DIREKTE IND I STRÅLEN eller alle KLASSE II LASER PRODUKTER.

Værktøjet skal afbrydes inden laserlinjen ændres eller justeringer mhp. vedligeholdelse udføres.

- ◆ Tænd og sluk for laseren, skift med kontakt (12a) på bagsiden af laserhuset.

## Rengøring af linse til laserlys

Hvis linsen til laserlyset bliver snavset, eller der kommer så meget savsmuld på den, at det ikke længere er muligt at se laserlinjen tydeligt, skal saven afbrydes og linsen gøres forsigtigt ren med en fugtig, blød klud. Brug ikke opløsningsmidler eller petroleum-baserede rengøringsmidler til at rengøre linsen.

**Bemærk:** Når laserlinjen er dæmpet og næsten fuldkommen usynlig pga. direkte sollys fra et vindue tæt på det sted, hvor du arbejder, skal du finde et andet sted til at udføre arbejdet på uden direkte sollys.

**Bemærk:** Alle justeringer i forbindelse med driften af denne maskine er blevet udført fra fabrikken.

**Forsigtig:** Brug af andre knapper, justeringer eller udførelse af andre procedurer end de heri beskrevne kan medføre eksponering for farlig stråling. Anvendelsen af optiske instrumenter sammen med dette produkt øger risikoen for øjenskader. Forsøg ikke at reparere laseren.

Der er risiko for alvorlige kvæstelser, hvis ukvalificerede personer forsøger at reparere dette laserprodukt. Enhver form for reparation af dette laserprodukt skal udføres af et autoriseret serviceværksted.

### Indsnitning (fig.J)

- ◆ Tryk på knappen (10).
- ◆ Tænd for værktøjet.

**Advarsel!** Værktøjet bør køre ved fuld hastighed, inden klingens trænger ind i arbejdsemnet.

- ◆ Vip værktøjet fremad med indikatoren for skærelinjen (20) ud for den ønskede skærelinje, der er markeret på arbejdsemnet. Bevæg gradvist værktøjet fremad.

**Advarsel!** Træk aldrig værktøjet tilbage.

### Brug af det parallelle styr (fig.K)

- ◆ Til at lave nøjagtige snit langs arbejdsemnets kant.
- ◆ Kan indsættes i hver side af foden.

### Justering af parallelt styr

- ◆ Løsn styr (5)
- ◆ Justér til den ønskede skærebredde ved hjælp af skala for parallelt styr (brug indikatoren for skærelinjen (20) som 0-reference).
- ◆ Stram styr (5).

### Tip for optimal brug

- ◆ Brug kun skarpe savklinger af den korrekte type og størrelse (fig. L).
- ◆ Brug savklinge af hærdet stål (17) til savning i træ, aluminium, plastik og alle typer lamineret træ
- ◆ Brug diamantsav (16) til savning af keramik og tegl
- ◆ Brug kun klinge med karbidspids (18) til træ og plastik

### Savning af større plader (fig. M)

- ◆ Understøt plade tæt på snittet, enten på gulv, bord eller arbejdsbænk.

**Advarsel!** Indstil skæredybde, så du skærer gennem plade og ikke gennem støtte.

- ◆ Hvis parallelt styr ikke giver mulighed for den ønskede skærebredde, bør du fastgøre eller fastsømme et lille stykke træ på arbejdsemnet som en vejledning og bruge den højre side af foden mod denne vejledning.

### Savning fri for splinter

- ◆ Vend altid den gode side af arbejdsemnet nedad - fastgør et lige stykke træ på arbejdsemnet ved hjælp af 2 klamper.

### Savning af meget hårde eller slibende materialer

### Blødt plademetal

- ◆ Indstil altid dybdejusteringen til mindst 1 mm dybere end materialetykkelsen for at undgå, at klingens ryger op over overfladen. Der skal være skrotmateriale under arbejdsfladen.
- ◆ Fjern burrer og rust, da disse forhindrer indføringen gennem materialet.
- ◆ Påføring af tyk bivoks (møbelvoks) på værktøjets baseplade gør det lettere at save i metal.
- ◆ Kun velegnet til at save i messing, kobber, bly eller aluminium.
- ◆ Hvert 2. minut af metalsavning bør efterfølges af en hvileperiode på mindst 3 minutter.

### Keramiske fliser, skifer osv.

- ◆ Brug kun en klinge, der er udformet specifikt til dette formål.
- ◆ Brug altid værktøjet med tilslutning af en velegnet støvsuger eller støvsopsamler, da støvet kan være farligt for operatøren og forhindre skjoldet i at åbne sig korrekt.

### Gipsplade:

- ◆ Dybdesaven anbefales kun til at lave sporadiske udsnit i gipsplader, og den skal altid bruges med tilslutning af en velegnet støvsuger eller støvsopsamler. Støvet kan forhindre skjoldet i at åbne sig korrekt.
- ◆ Konventionelle værktøjer, såsom nøglehulssave eller knive giver generelt fremragende resultater, selvom dybdesaven kan bruges, hvis der kræves et særligt fint, støvfrit snit, eller hvis der er fare for at skære i rør eller kabler.

### Vedligehold

Dit Stanley Fat Max-apparat med eller uden ledning er beregnet til brug gennem lang tid med et minimum af vedligeholdelse. Vedvarende tilfredsstillende funktion er afhængig af, om værktøjet plejes korrekt og rengøres regelmæssigt.

**Advarsel!** Før udførelse af nogen form for vedligeholdelse på elværktøj med/uden ledning:

- ◆ Sluk og tag apparatets/værktøjets stik ud af stikkontakten.
- ◆ Eller sluk og fjern batteriet fra apparatet/værktøjet, hvis det har en separat batteripakke.
- ◆ Eller aflad batteriet helt, hvis det er indbygget, og sluk derefter.
- ◆ Rengør jævnligt apparatets/værktøjets/laderens ventilationshuller med en blød børste eller en tør klud.
- ◆ Rengør med jævne mellemrum motorhuset med en fugtig klud.

Der må ikke bruges skuremidler eller opløsningsmidler.

**Advarsel!** Hvis en eller flere af følgende begivenheder skulle opstå under normal drift, skal strømforsyningen slukkes med det samme, og værktøjet skal efterses grundigt af en kvalificeret person, og om nødvendigt repareres:

- ◆ De roterende dele sætter sig fast, eller hastigheden falder usædvanligt lavt.
- ◆ Værktøjet ryster unormalt ledsaget af noget usædvanlig støj.
- ◆ Motorhuset bliver usædvanligt varmt.
- ◆ Der opstår kraftige gnister omkring motorområdet

Samlede værdier for vibration (triaksial vektorsum) i henhold til EN 60745:

Savning i træ ( $a_{h,M}$ ) 2,4  $m/s^2$ , usikkerhed (K) 1,5  $m/s^2$

Savning i metal ( $a_{h,M}$ ) 5,5  $m/s^2$ , usikkerhed (K) 1,5  $m/s^2$

Savning i cementfliser ( $a_{h,M}$ ) 5,5  $m/s^2$ , usikkerhed (K) 1,5  $m/s^2$

## EF-overensstemmelseserklæring

MASKINDIREKTIV



FME380 Kompakt sav til forskellige materialer

Stanley Europe erklærer, at produkterne beskrevet under "Tekniske data" er i overensstemmelse med: 2006/42/EC, EN62841-1:2015, EN 62841-2-5:2014

Disse produkter er endvidere i overensstemmelse med direktiv 2014/30/EU og 2011/65/EU. Kontakt Stanley Europe på nedenstående adresse, eller se vejledningens bagside for at få flere oplysninger.

Undertegnede er ansvarlig for udarbejdelsen af de tekniske data og fremsætter denne erklæring på vegne af Stanley Europe.

R. Laverick  
Engineering Manager  
Stanley Europe, Egide Walschaertsstraat14-18,  
2800 Mechelen, Belgien  
23/08/2016

## Udskiftning af netstik (kun Storbritannien og Irland)

Hvis et nyt lysnetstik skal monteres:

- ◆ Det gamle stik skal bortskaffes på en sikker måde.
- ◆ Tilslut den brune ledning til den strømførende klemme på det nye stik.
- ◆ Tilslut den blå ledning til den neutrale klemme.

**Advarsel!** Der skal ikke tilsluttes til jordklemmen. Følg de monteringsinstruktioner, der følger med stik af god kvalitet. Anbefalet sikring: 5 A.

## Miljøbeskyttelse



Særskiilt bortskaffelse. Produkter og batterier mærket med dette symbol må ikke bortskaffes sammen med normalt husholdningsaffald.

Produkter og batterier indeholder materialer, der kan blive gendannet eller genanvendt og således reducere efterspørgslen efter råvarer.

Genbrug venligst elektriske produkter og batterier i henhold til lokale bestemmelser. Yderligere informationer findes på [www.2helpU.com](http://www.2helpU.com)

## Tekniske data

FME380		
Spænding	$V_{AC}$	230
Tomgangshastighed	$min^{-1}$	4500
Klingestørrelse	mm	89
Maks. savedybde (blødt træ)	mm	28.5
Maks. savedybde (tegl)	mm	8
Maks. savedybde (aluminium)	mm	3

Lydtrykniveau i henhold til EN 60745:

Funktion af rundsav: Lydtryk ( $L_p$ ) 90 dB(A), usikkerhed (K) 3 dB(A)

Lydeffekt ( $L_{w}$ ) 101 dB(A), usikkerhed (K) 3 dB(A)

Aftrydelse af maskinfunktion: ( $L_v$ ) 97 dB(A), usikkerhed (K) 3  $m/s^2$

Lydeffekt ( $L_{w}$ ) 108 dB(A), usikkerhed (K) 3 dB(A)

## Garanti

Stanley Europe er sikker på kvaliteten af sine produkter og giver forbrugerne en garanti på 12 måneder fra købsdatoen. Garantien er et tillæg til forbrugerens lovmæssige rettigheder og påvirker ikke disse. Garantien er gyldig inden for medlemsstaterne af Den Europæiske Union og Det Europæiske Frihandelsområde.

Når du gør krav på garantien, skal kravet være i overensstemmelse med Stanley Europes vilkår og betingelser, og du skal indsende dokumentation for købet til sælgeren eller til en autoriseret reparatør. Vilkår og betingelser for Stanley Europe 1 års garanti og placeringen af dit nærmeste autoriserede serviceværksted kan fås på internettet på [www.2helpU.com](http://www.2helpU.com), eller ved at kontakte dit lokale Stanley FatMax kontor på den adresse, der er angivet i denne vejledning.

Besøg venligst vores websted [www.stanley.eu/3](http://www.stanley.eu/3) for at registrere dit nye Stanley Fat Max produkt og modtage opdateringer om nye produkter og specielle tilbud.

## Käyttötarkoitus

Kompakti Stanley Fat Max FME380 -monimateriaalisaha on tarkoitettu puun, lastulevyn, vanerin, alumiinin, laattojen, kivimateriaalin, muovin ja kevyiden rakennusmateriaalien sahaamiseen pitkittäis- ja poikittaissuunnassa pitäen materiaalia paikoillaan. Se on tarkoitettu vain lyhyiden leikkausten suorittamiseen. Työkalu on tarkoitettu sekä ammatti- että yksityiskäyttöön.

## Turvallisuusohjeet

### Sähkötyökalujen yleiset turvavaroitukset



**Varoitus!** Lue kaikki turvallisuusvaroitukset ja ohjeet. Alla olevien varoitusten ja ohjeiden noudattamisen laiminlyönti saattaa johtaa sähköiskuun, tulipaloon ja/tai vakavaan loukaantumiseen.

### Säästä kaikki varoitukset ja ohjeet tulevaa käyttöä varten.

Varoituksissa käytetty käsite "sähkötyökalu" tarkoittaa verkkokäyttöisiä sähkötyökaluja (joissa on verkkojohto) ja akkukäyttöisiä sähkötyökaluja (joissa ei ole verkkojohtoa).

#### 1. Työalueen turvallisuus

- Pidä työalue puhtaana ja varmista sen hyvä valaistus.** Onnettomuuksia sattuu herkemmin epäsiistissä tai huonosti valaistussa ympäristössä.
- Älä käytä sähkötyökalua räjähdysalttiissa ympäristössä, jossa on syttyvää nestettä, kaasua tai pölyä.** Sähkötyökalujen aiheuttamat kipinät voivat sytyttää pölyn tai kaasut.
- Pidä lapset ja sivulliset loitolla sähkötyökalua käyttäessäsi.** Keskeytymiskyvyn herpaantuminen voi aiheuttaa hallinnan menettämisen.

#### 2. Sähköturvallisuus

- Sähkötyökalun pistokkeen on sovittava pistorasiaan. Älä koskaan tee pistokkeeseen mitään muutoksia. Älä yhdistä maadoitettua sähkötyökalua jatkojohtoon.** Sähköiskun vaara vähenee, jos pistokkeisiin ei tehdä muutoksia ja ne yhdistetään vain niille tarkoitettuihin pistorasioihin.
- Vältä koskettamasta maadoitettuja pintoja, kuten putkia, lämpöpattereita, liesiä tai jääkaappeja.**

Voit saada sähköiskun, jos kehoasi on maadoitettu.

- Älä altista sähkötyökalua sateelle tai kosteudelle.** Sähkötyökaluun menevä vesi lisää sähköiskun vaaraa.
- Älä käsittele virtajohtoa kovakouraisesti. Älä kannata työkaluja sähköjohtosta tai vedä pistoketta pistorasiasta sähköjohtoa avulla. Pidä sähköjohto kaukana kuumuudesta, öljystä, terävistä reunoista tai liikkuvista osista.** Vaurioituneet tai sokeutuneet johdot lisäävät sähköiskun vaaraa.
- Käyttäessäsi sähkötyökalua ulkona käytä ainoastaan ulkokäyttöön soveltuvaa jatkojohtoa.** Ulkokäyttöön tarkoitettun sähköjohtoa käyttäminen vähentää sähköiskun vaaraa.
- Jos sähkötyökalua on välttämättä käytettävä kosteassa paikassa, käytä vikavirtasuojalla (RCD) suojattua virtalähdettä.** Tämä vähentää sähköiskun vaaraa.

#### 3. Henkilöturvallisuus

- Ole valpas, keskity työhön ja noudata tervettä järkeä sähkötyökalun käytössä. Älä käytä tätä työkalua ollessasi väsynyt tai alkoholin, huumeiden tai lääkkeiden vaikutuksen alaisena.** Keskeytymisen herpaantuminen hetkeksikin sähkötyökalua käytettäessä voi aiheuttaa vakavan henkilövahingon.
- Käytä henkilökohtaisia suojavarusteita. Käytä aina suojalaseja.** Hengityssuojaimen, liukumattomien turvajalkineiden, kypärän ja kuulosuojaimen käyttäminen vähentää henkilövahinkojen vaaraa.
- Vältä tahatonta käynnistämistä. Varmista, että kytkin on OFF-asennossa, ennen kuin liität laitteen virtalähteeseen ja/tai akkuun, nostat laitteen tai kannat sitä.** Sähkötyökalun kantaminen sormi virtakytkimellä lisää onnettomuusvaaraa.
- Irrota mahdollinen säätö- tai kiintoavain ennen kuin käynnistät sähkötyökalun.** Sähkötyökalun pyöriivään osaan kiinni jäänyt avain voi johtaa loukkaantumiseen.
- Älä kurkota. Huolehdi siitä, että sinulla on koko ajan tukeva jalansija ja hyvä tasapaino.** Näin voit hallita sähkötyökalua paremmin odottamattomissa tilanteissa.
- Käytä tarkoitukseen soveltuvia vaatteita. Älä käytä löysiä vaatteita tai koruja. Pidä hiukset, vaatteet ja kädet loitolla liikkuvista osista.** Löysät vaatteet, korut tai pitkät hiukset voivat tarttua liikkuviin osiin.
- Jos työkalun voi liittää polynimuriiniin, tarkista, että liitos on tehty asianmukaisesti ja että laitteita käytetään oikealla tavalla.** Pölyn ottaminen talteen voi vähentää pölyn aiheuttamia vaaroja.

#### 4. Sähkötyökalujen käyttö ja hoito

- Älä ylikuormita sähkötyökalua. Valitse käyttötarkoituksen kannalta oikea sähkötyökalu.**

Sähkötyökalu toimii paremmin ja turvallisemmin, kun sitä käytetään sille suunniteltuun käyttötarkoitukseen.

- b. Älä käytä sähkötyökalua, jota ei voida käynnistää ja pysäyttää virtakytkimestä. Jos sähkötyökalua ei voi hallita kytkimen avulla, se on vaarallinen ja se on korjattava.
- c. Irrota pistotulppa pistorasiasta ja/tai akku laitteesta ennen kuin suoritat säätöjä, vaihdat tarvikkeita tai siirrä sähkötyökalun varastoitavaksi. Näin voit vähentää vahingossa käynnistymisen aiheuttaman henkilövahingon vaaraa.
- d. Säilytä sähkötyökalut poissa lasten ulottuvilta, kun niitä ei käytetä. Älä anna sähkötyökalua sellaisen henkilön käyttöön, joka ei tunne sitä tai joka ei ole tutustunut tähän käyttöohjeeseen. Sähkötyökalut ovat vaarallisia kouluttamattomien käyttäjien käsissä.
- e. Hoida sähkötyökalusi huolella. Tarkista, että liikkuvat osat toimivat moitteettomasti ja etteivät ne ole puristuksessa. Tarkista myös, ettei työkalussa ei ole murtuneita tai vahingoittuneita osia, jotka saattaisivat vaikuttaa haitallisesti sen toimintaan. Jos havaitset vaurioita, korjauta sähkötyökalu ennen niiden käyttämistä. Huonosti kunnossapidetyt sähkötyökalut aiheuttavat onnettomuuksia.
- f. Pidä leikkausterät terävinä ja puhtaina. Kunnossa pidettyjen leikkaavia teräviä reunoja sisältävien työkalut todennäköisyyksi jumiutua vähenee, ja niitä on helpompi hallita.
- g. Käytä sähkötyökaluja, tarvikkeita, vaihtoteriä yms. näiden ohjeiden mukaisesti. Ota tällöin huomioon työolosuhteet ja suoritettava toimenpide. Jos sähkötyökalua käytetään näiden ohjeiden vastaisesti, voi syntyä vaaratilanne.

## 5. Huolto

- a. Korjauta sähkötyökalu koulutetulla ja ammattitaitoisella henkilöllä ja hyväksy korjauksiin vain alkuperäisiä varaosia. Tämä varmistaa sähkötyökalun turvallisuuden.

## Turvaohjeet kaikille sahoille

### Leikkausmenettelyt



**Vaara: Pidä kädet poissa leikkausalueelta ja terästä. Tartu toisella kädellä apukahvasta tai moottorikotelosta.** Jos tartut sahaan molemmiin käsiin, ne eivät pääse koskettamaan terää.

- ◆ Älä kurota työkappaleen alle. Suojus ei voi suojata sinua terältä työkappaleen alapuolella.
- ◆ Säädä leikkaussyvyys työkappaleen paksuuden mukaan. Työkappaleen alapuolella tulee näkyä alle puolet terän hampaasta.

- ◆ Älä koskaan kannatele leikattavaa kappaletta käsin tai pidä sitä jalkojen päällä. Kiinnitä työkappale tukevalle alustalle. On tärkeää tukea työkappale oikein, jotta voitaisiin minimoida kehon vaarantuminen, terän juuttuminen kiinni tai hallinnan menettäminen.
- ◆ Pitele sähkötyökalua eristetyistä tartuntapinnoista, kun teet työtä, jossa työkalu voi joutua kosketuksiin piilossa olevien sähköjohtojen tai oman virtajohtonsa kanssa. Työkalun kosketus jännitteisen johtimen kanssa voi tehdä myös työkalun paljaista metalliosista jännitteisiä ja aiheuttaa sähköiskun käyttäjälle.
- ◆ Käytä halkaisusahauksessa aina halkaisusahausvastetta tai suoraa reunaohjainta. Tämä parantaa leikkauksen tarkkuutta ja vähentää terän jumiutumisen vaaraa.
- ◆ Käytä aina oikean kokoisia teriä, joissa on oikean muotoinen keskus (vinoneliö tai pyöreä). Jos terä ei vastaa sahan asennuskiinnikkeitä, terä pyörii epäkeskeisesti aiheuttaen hallinnan menetyksen.
- ◆ Älä koskaan käytä vahingoittunutta tai vääranlaista terän aluslevyä tai pulttia. Terän aluslevyt ja pultit suunnettu tälle sahalle parasta suorituskykyä ja turvallista käyttöä silmällä pitäen.



**Varoitus!** Sahauksesta syntyvä pöly voi aiheuttaa terveyshaittoja käyttäjälle ja mahdollisille sivullisille. Käytä kasvosuojusta, joka on erityisesti tarkoitettu suojaamaan pölyltä ja höyryiltä, ja varmista, että kaikki työskentelyalueella olevat ja sinne tulevat henkilöt käyttävät suojavarusteita.

- ◆ Poista pöly huolellisesti sahaamisen jälkeen.
- ◆ Älä päästä lapsia tai raskaana olevia naisia työalueelle.
- ◆ Älä syö, juo tai tupakoi työalueella.
- ◆ Hävitä pöly ja muu jäte ympäristöystävällisesti.
- ◆ Tarkoitettu käyttö on kuvattu tässä käyttöohjeessa. Käytä työkalua ainoastaan sellaiseen työhön, johon se on tarkoitettu, ja käytä vain tässä käyttöohjeessa suositeltuja tarvikkeita ja lisälaitteita. Ohjeesta poikkeava käyttö voi aiheuttaa henkilö- ja/tai omaisuusvahinkoja.
- ◆ Lisävarusteen liike jatkuu hetken käyttökylmän vapautamisen jälkeen. Katkaise virta ja odota, että lisävarusteen liike on kokonaan pysähtynyt, ennen kuin lasket koneen käsitäsi.
- ◆ Pidä terät terävinä. Tylsät tai vahingoittuneet terät voivat leikata vinoon tai jäädä kiinni. Käytä työstettävään materiaaliin soveltuvaa sahanterää, jolla saat haluamasi sahausjälgjen.
- ◆ Jos sahaat putkea tai kotelointia, tarkista ensin, ettei sen sisällä ole vettä, sähköjohtoa tms.
- ◆ Älä kosketa terää tai sahattua leikkauspintaa heti sahausksen jälkeen. Ne voivat olla erittäin kuumia.
- ◆ Varo piilossa olevia vaaroja. Tarkista sähköjohtojen ja putkien sijainti ennen kuin sahaat seinää, lattiaa tai kattoa.

- ◆ Nauloihin sahaamista on vältettävä. Tarkista leikat-tavat materiaali naulojen varalta ja ja poista ne ennen sahaamisen aloittamista.
- ◆ **Älä käytä sahaa siten, että kannat sitä sivullasi.**
- ◆ Varmista, että leikkaussyvyyden lukitusvipu on kiristetty ennen sahaamisen aloittamista.
- ◆ Jos sahaus keskeytetään tai terä on juuttunut kiinni, päästä irti liipaisimesta ja pidä saha tiukasti paikoillaan materiaalissa, kunnes terä on pysähtynyt kokonaan. **Älä koskaan yritä irrottaa sahaa työstettävästä materiaalista tai vetää sitä taaksepäin terän liikkeessa, muutoin on olemassa takaiskun vaara.**

## Lisäturvallisuusohjeet kaikille sahoille

### Takapotkun syyt ja siihen liittyvät varoitukset

- ◆ Takaisinisku on äkinäinen reaktio, kun sahanterä tarttuu kiinni tai on kohdistettu väärin, jolloin saha nousee hallitsemattomasti ylös työkappaleesta käyttäjää kohti.
- ◆ Kun sahanterä juuttuu tiukasti kiinni uurokseen, terä pysähtyy ja moottorin reaktio heittää sahan nopeasti takaisin käyttäjää kohti.
- ◆ Jos terä vääntyy tai kohdistuu väärin, terän takaosan hampaat voivat kaivautua puun yläpintaan ja aiheuttaa terän nousemisen ylös uuroksesta ja sahan hypäämisen takaisin käyttäjää kohti.

Takapotku on seuraus sahan vääristä käyttötavoista tai -olosuhteista ja sen voi välttää noudattamalla alla kuvattuja varotoimia.

- ◆ **Ota tukeva ote sahasta molemmin käsin ja pidä käsivartesi sellaisessa asennossa, että voit torjua takapotkuvoimat. Pidä vartalo jommallakummalla puolella terää, ei linjassa terän kanssa.** Takaisku voi saada sahan hypäämään takaisin, mutta käyttäjä voi hallita takaiskun voimaa ottamalla huomioon oikeat varotoimet.
- ◆ **Jos terä on jumiummassa tai jos sahaaminen keskeytetään mistä tahansa syystä, päästä irti liipaisimesta äläkä liikuta sahaa työkappaleessa, kunnes terä on kokonaan pysähtynyt. Älä koskaan yritä irrottaa sahaa työstettävästä materiaalista tai vetää sitä taaksepäin terän liikkeessa, koska tällöin voi syntyä takaisku.** Tutki terän juuttumisen syy ja suorita korjaustoimenpiteet.
- ◆ **Kun käynnistät sahan uudelleen työkappaleessa, keskitä terä uuroon ja varmista, etteivät hampaat ole kiinni materiaalissa.** Jos sahanterä on puristuksissa, se saattaa työntyä ylös työkappaleesta tai aiheuttaa takapotkun sahan käynnistyksen yhteydessä.
- ◆ **Tue isot levyt terän juuttumisen ja takaiskun vaaran vähentämiseksi.**

Suuret paneelit taipuvat usein notkolle omasta painostaan. Aseta tuki levyn alle molemmin puolin lähelle leikkauslinjaa ja lähelle levyn reunaa.

- ◆ **Älä käytä tylsiä tai vioittuneita teriä.** Teroittamattoman tai väärin asetetun terän sahaama leikkausura jää kapeaksi, ja siitä syntyvä ylimääräinen kitka saattaa aiheuttaa terän juuttumisen tai takapotkun.
- ◆ **Teräsyvyyden ja -viitouden säädön lukitusvipujen tulee olla tiukasti kiinni ennen leikkaamiseen ryhtymistä.** Jos terän säädöt liikkuvat sahausken aikana, voi tapahtua jumiumutisia tai takapotkuja.
- ◆ **Noudata erityistä varovaisuutta sahatessasi valmiiseen seinään tai muuhun tuntemattomaan paikkaan.** Ulos tuleva terä voi leikata kohteita, joista voi syntyä takaisku.

### Alasuojuksen toiminta

- ◆ **Tarkista suojuksen oikea sulkeutuminen ennen jokaista käyttöä. Älä käytä sahaa, jos suojuksen ei liiku vapaasti tai jos se ei välittömästi suoja sahaa. Älä koskaan kiinnitä suojusta niin, että terä on paljaana.** Jos saha putoaa vahingossa, suojuksen saattaa taipua. Varmista, että suojuksen liikkuu vapaasti eikä se kosketa terää tai muuta osaa missään leikkaussuunnassa ja syvyydessä.
- ◆ **Tarkista alasuojuksen jousen toiminta. Jos suojuksen jousi eivät toimi oikein, ne täytyy huoltaa ennen seuraavaa käyttöä.** Alasuojuksen voi toimia veltosti, koska sen osat ovat vaurioituneet, siinä on tahmeita jäämiä tai siihen on kertynyt likaa.
- ◆ **Alasuojukselta tulee vetää käsin vain, jos ollaan tekemässä erityisiä leikkauksia, kuten upotus- tai yhdistelmäleikkauksia.** Nosta alasuojukselta taakse vedettävällä kahvalla ja heti kun terä uppoaa materiaaliin, alasuojuksen täytyy vapauttaa. Kaikessa muussa sahausken aikana alasuojuksen tulisi toimia automaattisesti.
- ◆ **Varmista aina, että alasuojuksen peittää terän, ennen kuin lasket sen penkille tai lattialle.** Suojaamaton jälkikäyvä sahanterä kuljettaa sahaa taaksepäin ja sahaa kaiken, mikä osuu sen tielle. Ota huomioon aika, joka kuluu terän pysähtymiseen liipaisimen vapauttamisen jälkeen.

### Sahanterät

- ◆ **Älä käytä teriä, joiden halkaisija on suosituksia suurempi tai pienempi.** Katso terän sopivat tyyppiarvot teknisistä tiedoista. Käytä vain ohjekirjassa ilmoitettuja teriä EN 847-1 -standardin mukaisesti.
- ◆ **Varoitus!** Älä koskaan käytä hiomalaikkoja.

## Muiden henkilöiden turvallisuus

- ◆ Tämä työkalu soveltuu yli 8-vuotiaiden lasten ja sellaisten henkilöiden käyttöön, joilla on fyysisiä tai älyllisiä rajoitteita tai aistirajoitteita, kuten myös laitteen toimintaan perehtymättömien henkilöiden käyttöön, jos heitä valvotaan tai jos he ovat saaneet laitteen turvalliseen käyttöön liittyvää opastusta ja ymmärtävät laitteen käyttöön liittyvät vaarat.
- ◆ Älä anna lasten leikkiä työkalulla. Puhdistus- ja huoltotöitä ei saa jättää lapsille ilman valvontaa.



**Varoitus!** Käyttäjän on luettava käyttöohje vahinkojen välttämiseksi.



Käytä suojalaseja.



Käytä kuulosuojaimia.



Käytä pölysuojainta.



Tätä tuotetta ei ole tarkoitettu alle 16-vuotiaiden lasten käyttöön.



Ei käsiä -vyöhyke – pidä sormet ja kädet poissa pyöriviltä sahanteriltä.



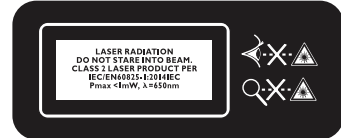
Käytä hansikkaita käsitellessäsi sahanteriä.



**Varoitus!** Lasersäteily



Älä koskaan katso optisilla laitteilla suoraan lasersäteeseen.



## Jäännösriskit

Myös muut kuin turvavaroituksissa mainitut riskit ovat mahdollisia työkalua käytettäessä. Nämä riskit voivat liittyä muun muassa virheelliseen tai pitkäaikaiseen käyttöön.

Tiettyjä jäännösriskkejä ei voi välttää, vaikka noudatat kaikkia turvamaäräyksiä ja käytät turvalaitteita. Näitä ovat:

- ◆ Pyörivien tai liikkuvien osien koskettamisen aiheuttamat vahingot.
- ◆ Osia, teriä tai lisävarusteita vaihdettaessa aiheutuneet vahingot.
- ◆ Työkalun pitkäaikaisen käytön aiheuttamat vahingot. Varmista, että pidät säännöllisesti taukoja työkalun pitkäaikaisen käytön aikana.
- ◆ Kuulon heikkeneminen.
- ◆ Työkalua käytettäessä (esimerkiksi puuta, erityisesti tammea, pyökkiiä ja MDF-levyjä, käsiteltäessä) syntyneen pölyn sisäänhengityksen aiheuttamat terveysriskit).

## Tärinä

Teknisissä tiedoissa ja vaatimustenmukaisuusilmoituksessa ilmoitetut tärinäpäästöarvot on mitattu standardin EN 60745 testausmenetelmän mukaisesti, ja niiden avulla voidaan vertailla työkaluja keskenään. Ilmoitettua tärinäpäästöarvoa voi käyttää myös altistumisen alustavaan arviointiin.

**Varoitus!** Sähkötyökalun käytön aikana mitattu todellinen tärinäpäästöarvo voi poiketa ilmoitetusta tärinäpäästöarvosta työkalun käyttötavan mukaan. Tärinätaso voi olla ilmoitettua tasoa suurempi.

Kun tärinälle altistumista arvioidaan sen määrittämiseksi, mitä direktiivin 2002/44/EY mukaisia turvatoimenpiteitä vaaditaan sähkötyökaluja säännöllisesti käyttävien henkilöiden suojelemiseksi, tärinälle altistumisen arvioinnissa on otettava huomioon todelliset käyttöolosuhteet ja työkalun käyttötavat. Todellisen käytön lisäksi on kiinnitettävä huomiota myös siihen, milloin työkalu on sammutettuna tai se käy tyhjäkäynnillä.

## Työkalun tarrat

Työkalussa on seuraavat merkit sekä päivämääräkoodi:

## Sähköturvallisuus



Tämä työkalu on kaksoiseristetty, joten erillistä maadoitusta ei tarvita. Tarkista aina, että verkkovirran jännite vastaa tyyppikilpeen merkittyä jännitettä.

- ◆ Jos virtajohto vahingoittuu, sen vaihtaminen on turvallisuussyistä jätettävä valmistajan tai valtuutetun Stanley Fat Max -huoltoliikkeen tehtäväksi.

## Yleiskuvasu

Tässä työkalussa on joitakin tai kaikki seuraavista ominaisuuksista.

1. Virtakytkin
2. Leikkaussyvyyden asteikko
3. Kiinnitin leikkaussyvyyden asettamiseen
4. Alasuojus
5. Ohjausviivaimen säätönappi
6. Ohjausviivain
7. Jalkalevy
8. Kiinnityslaippa
9. Terän pultti



10. Liipaisimen lukitus ja kengän vapautuspainike
11. Tuuletusaukot
12. Laservalo
13. Pölynpoistojärjestelmän liitäntä
14. Karan lukituspainike
15. Kuusiokulma-avain
16. Timanttisahanterä
17. Sahanterä, karkaistua terästä
18. TCT-sahanterä
19. Pölynpoistoletku
20. Leikkauslinjan osoitin

## Asennus

Tarkista, onko työkalussa, osissa tai tarvikkeissa mahdollisia kuljetusvaurioita. Lue tämä ohjekirja huolellisesti ja varmista, että ymmärrät sen sisällön ennen laitteen asennusta ja käyttöä.

## Käyttö

**Varoitus!** Anna työkalun käydä omaan tahtiinsa. Älä ylikuormita sitä.

## Kytkeminen päälle ja pois päältä (kuva A)

**Huomaa:** Tarkista sahanterä ennen virtakytkimen kytkemistä päälle varmistaaksesi terän oikeaoppisen kiinnityksen, virheettömän toiminnan ja kiinnitysruuvien kireyden.

- ◆ Paina virtakytkimen lukituksen ja kengän vapautuspainiketta (10) virtakytkimen käyttämiseksi.
- ◆ Kytke työkalu päälle virtakytkimestä (1) painamalla.
- ◆ Sammuta laite vapauttamalla virtakytkin (1).

## Leikkaussyvyyden säätäminen (0-28,5 mm) (kuva B)

- ◆ Löysää kiinnitintä (3).
- ◆ Aseta haluamasi leikkaussyvyys asteikon (2) avulla.
- ◆ Kiristä kiinnitin (3).
- ◆ Sahanterä saa mennä korkeintaan 3 mm työstökappaleen alapuolelle optimaalista leikkaustulosta varten.
- ◆ Huomaa, että timanttilaikan todellinen leikkaussyvyys poikkeaa noin 2 mm asteikon (2) leikkaussyvyydestä.

**Huomautus:** Kokeile leikkausta aina ensin koekappaleeseen oikean leikkauslinjan tarkistamiseksi.

## Pölynpoisto (kuva C)

- ◆ liitä pölynimurin letku (19) liitäntään (13) ja imuroi kuvan mukaisesti.

**Varoitus!** Älä koskaan anna pölynimurin olla alasuojuksen tai leikkauksen tiellä.

**Varoitus!** Älä käytä pölynimuria metallia sahatessasi.

## Sahanterän vaihtaminen (kuvat D - G)

**Varoitus!** Varmista ennen terän vaihtoa tai huoltotoimenpiteitä, että työkalu on kytketty pois päältä ja irrotettu virtalähteestä.

- ◆ Aseta leikkaussyvyys maksimiarvoon (kuva D).
- ◆ Käytä toimitettua kuusioavainta (15).
- ◆ Paina karan lukituspainiketta (14) ja pidä sitä alhaalla (kuva E).
- ◆ Irrota terän pultti (9) kuusiokoloavaimella (15).
- ◆ MYÖTÄPÄIVÄÄN (= suojuksessa olevan nuolen suuntaan) (kuva F).
- ◆ Vapauta karan lukituspainike (14).
- ◆ Poista laippa (8).
- ◆ Paina painiketta (10) peukalolla.
- ◆ Nosta jalusta (7) ylös ja poista sahanterä.
- ◆ Asenna uusi terä ja varmista, että terä pyörii suojukseen merkityn nuolen suuntaan.
- ◆ Asenna laippa (8).
- ◆ Kiristä terän pultti (9) kireälle kuusioavaimella (15) VASTAPÄIVÄÄN painaessa karan lukituspainiketta (14).
- ◆ Vapauta karan lukituspainike (14).

## Työkalun käyttäminen (kuva H - M)

- ◆ Aseta haluamasi leikkaussyvyys.
- ◆ Kytke pistoke virtalähteeseen.
- ◆ Paina painiketta (10) peukalolla.
- ◆ Aseta työkalun jalustan etuosa työstökappaleeseen.
- ◆ Kallista työkalua eteenpäin niin, että leikkauslinjan osoitin (20) osoittaa työstökappaleeseen merkittyä leikkauslinjaa (kuva H).
- ◆ Varmista, että sahanterät eivät ole kiinnittyneet työstökappaleeseen.
- ◆ Käynnistä työkalu.
- ◆ Työkalun tulee toimia täydellä nopeudella ennen kuin sen terä kohdistuu työstökappaleeseen.
- ◆ Työkaluun ei saa kohdistaa voimaa (käytä kevyttä ja jatkuvaa painetta terän kärkien ylikuumentumisen välttämiseksi leikatessa muovia, jotta muovimateriaali ei sulaisi).
- ◆ Pidä aina kiinni työkalun eristetyistä kahvoista käytön aikana.
- ◆ Sammuta työkalu käytön jälkeen vapauttamalla virtakytkin (1).
- ◆ Varmista, että terä on pysähtynyt kokonaan ennen kuin nostat työkalun irti työstökappaleesta.

## Elektroninen toiminta. Lasersäteen toiminta (kuva I)

**Huomio!** Kytke laser pois päältä, aina kun laitetta ei käytetä. Älä koskaan katso suoraan lasersäteeseen, sillä se voi aiheuttaa silmävammoja.  
LASERSÄTEILY: EI SAA KATSOA SÄTEESEEN tai LUOKAN II LASERLAITEISIIN.

Varmista, että olet irrottanut työkalun sähköverkosta ennen laserlinjan siirtämistä tai huollon säätötoimenpiteitä.

- ◆ Kytke laser päälle/pois laserin kotelon takaosassa olevalla kytkimellä (12a).

### Laservalon linssien puhdistaminen

Jos laservalon linssit ovat likaisia tai niihin jää kiinni sahanpölyä niin, ettei laserinjaa enää näy, irrota saha sähköverkosta ja puhdista linssit varoen kostealla ja pehmeällä liinalla. Älä käytä liuotusaineita tai öljypohjaisia puhdistusaineita linssijä puhdistuksessa.

**Huomautus:** Kun laserinja näkyy heikosti ja lähes näkymätön, koska sisällä tai ulkona olevasta ikkunasta kohdistuu suoraa auringonvaloa työalueen lähelle, muuta työalue paikkaan, jossa ei ole suoraa auringonvaloa.

**Huomautus:** Kaikki koneen käyttöä koskevat säädöt on suoritettu tehtaalla.

**Huomio:** Muiden kuin tässä määritettyjen säätimien tai säätöjen käyttäminen tai toimien suorittaminen voi johtaa vaaralliseen altistumiseen säteilylle. Oposten laitteiden käyttö tämän tuotteen kanssa suurentaa silmävammojen vaaraa. Älä yritä korjata tai purkaa laseria. Jos pätemättömät henkilöt yrittävät korjata tätä lasertuotetta, seurauksena voivat olla vakavat henkilövahingot.

Ainoastaan valtuutetun huoltopalvelun henkilöstö saa korjata tätä lasertuotetta.

### Uputusleikkaus (kuva J)

- ◆ Paina painiketta (10).
- ◆ Käynnistä työkalu.

**Varoitus!** Työkalun tulee toimia täydellä nopeudella ennen kuin

sen terä kohdistuu työstökappaleeseen.

- ◆ Kallista työkalua eteenpäin niin, että leikkauslinjan osoitin (20) osoittaa työstökappaleeseen merkittyyn leikkauslinjaan. Siirrä työkalua vähitellen eteenpäin.

**Varoitus!** Älä koskaan vedä työkalua taaksepäin.

### Ohjausviivaimen käyttäminen (kuva K)

- ◆ Tarkoitettu leikkaamaan tarkoin työstökappaleen reunaa pitkin.
- ◆ Voidaan asettaa kummallekin puolelle jalustaa.

### Ohjausviivaimen säätäminen

- ◆ Löysää nuppia (5).
- ◆ Säädä haluamasi leikkausleveys ohjausviivaimen asteikon avulla (käytä leikkauslinjan osoitinta (20) 0-viitekohtana).
- ◆ Kiristä nuppi (5).

### Vinkkejä parhaimman tuloksen saavuttamiseksi

- ◆ Käytä ainoastaan teräviä sahanteriä, jotka ovat malliltaan ja kooltaan oikeanlaisia (kuva L).
- ◆ Käytä karkaistusta teräksestä valmistettua sahanteriä (17) puun, alumiinin, muovin ja kerrospann leikkaamiseen.
- ◆ Käytä timanttisaha (16) keraamisen materiaalin ja laatojen leikkaamiseen.
- ◆ Käytä karbiditeriä (18) ainoastaan puun ja muovin leikkaamiseen.

### Suuren paneelien sahaus (kuva M)

- ◆ Tue paneelia leikkauskohdan läheltä joko lattialla, pöydällä tai työtasolla.

**Varoitus!** Aseta leikkaussyvyys niin, että leikkaat paneelin läpi ja ettei terä osu tukikappaleeseen.

- ◆ Jos ohjausviivain ei mahdollista haluttua leikkausleveyttä, kiinnitä tai naukaa suora puukappale työstökappaleeseen ohjausta varten. Käytä niin, että jalustan oikea puoli on tätä ohjausosaa vasten.

### Lastujen välttäminen

- ◆ Aseta aina työstökappaleen hyvä puoli alaspäin ja kiinnitä suora puukappale työstökappaleeseen kahdella kiinnittimellä.

### Erittäin kovien tai vaativien materiaalien leikkaaminen

#### Pehmeä metallilevy

- ◆ Aseta leikkaussyvyys aina vähintään 1 mm materiaalin paksuutta syvemmäksi, jotta terä ei menisi pinnan päälle. Työpinnan alapuolella on oltava hukkamateriaalia.
- ◆ Poista pureset ja ruoste, sillä ne estävät leikkaamisen materiaalin läpi.
- ◆ Metallin leikkaamista voidaan helpottaa käyttämällä paksua mehiläisvahaa (kalusteiden kiillotusaine) työkalun pohjalevyyn.
- ◆ Sopii vain messingin, kuparin, lyijyn ja alumiinin leikkaamiseen.
- ◆ Pidä vähintään kolmen minuutin tauko kahden minuutin välein metallia leikatessa.

#### Keraamiset laatat, tiilit jne.

- ◆ Käytä ainoastaan tähän tarkoitukseen suunniteltua terää.
- ◆ Käytä aina asianmukaista pölynimuria tai pölynpoistojärjestelmää, sillä pöly voi olla käyttäjälle vaarallista ja se voi haitata suojuksen toimintaa.

#### Kipsilevy:

- ◆ Uputussaha suosittelaa vain satunnaisiin kipsilevyn leikkauksiin ja sitä tulee käyttää aina asianmukaisen pölynimurin tai pölynpoistojärjestelmän kanssa.

Pöly voi estää suojuksen virheettömän toiminnan.

- Tavallisilla työkaluilla, kuten puukkosahoilla tai terillä saavutetaan yleensä erinomaisia tuloksia, vaikka upotus-sahaa voidaan käyttää silloin, kun erityisen puhdas ja pölytön leikkaus on tarpeen tai kun vaarana on leikata putkiin tai kaapeleihin.

## Huolto

Verkkojohdolla varustettu tai verkkojohdoton Stanley Fat Max -laite/-työkalu on suunniteltu toimimaan mahdollisimman pitkään mahdollisimman vähällä huollolla. Oikea käsittely ja säännöllinen puhdistus varmistavat laitteen ongelmattoman toiminnan.

**Varoitus!** Ennen verkkojohdolla varustetun tai verkkojohdotto-man sähkötyökalun huoltoa toimi seuraavasti:

- Sammuta laite/työkalu ja irrota se verkkovirrasta.
- Jos laitteessa/työkalussa on erillinen akku, sammuta laite/työkalu ja irrota sen akku.
- Jos akku on ehjä, käytä akku täysin loppuun ja sammuta laite sitten.
- Puhdista laitteen/työkalun/laturin ilma-aukot säännöllisesti pehmeällä harjalla tai kuivalla kangasliinalla.
- Puhdista moottorikotelo säännöllisesti kostealla liinalla. Älä käytä hankaavia tai liuotinohjaisia puhdistusaineita.

**Varoitus!** Jos joitakin seuraavista tapahtuu normaalin käytön aikana, virta on katkaistava ja työkalu tulee viedä tarvittaessa pätevä henkilön tarkistettavaksi tai korjattavaksi:

- Pyörivät osat juuttuvat kiinni tai nopeus laskee poikkeavan alhaiseksi.
- Työkalu tärisee poikkeavasti ja laitteesta kuuluu poikkeavaa ääntä.
- Moottorin kotelo kuumenee tavallista enemmän.
- Moottorin lähettyvillä esiintyy voimakasta kipinäntiä.

## Varaverkkopistoke (vain Iso-Britannia ja Irlanti)

Jos uusi verkkopistoke täytyy asentaa:

- Hävitä vanha pistoke ympäristöystävällisesti.
- Liitä ruskea johto uuden pistokkeen jännitteeseen napaan.
- Liitä sininen johto tähtipisteliitimeen.

**Varoitus!** Maadoitusliittimeen ei tule tehdä liitoksia. Noudata korkealaatuisten pistokkeiden mukana toimitettuja asennusohjeita. Suositeltu varoke: 5 A.

## Ympäristönsuojelu



Toimita tämä laite erilliskeräykseen. Tällä symbolilla merkityt tuotteet ja akut ei saa hävittää tavallisen kotitalousjätteen mukana.

Tuotteissa ja akuissa on materiaaleja, jotka voidaan ottaa taitteen tai kierrättää uudelleen käyttöä varten. Kierrätä sähkölaitteet ja akut paikallisten määräyksien mukaan. Lisätietoa on saatavilla osoitteessa [www.2helpU.com](http://www.2helpU.com)

## Tekniset tiedot

FME380		
Jännite	$V_{AC}$	230
Kuormittamaton nopeus	$\text{min}^{-1}$	4500
Terän koko	mm	89
Maksimileikkausvyvyys (pehmeä puu)	mm	28,5
Maksimileikkausvyvyys (laatta)	mm	8
Maksimileikkausvyvyys (alumiini)	mm	3

Äänenpainetaso, määritetty EN 60745-standardin mukaan:

Pyörösahatoiminto: Äänenpaine ( $L_p$ ) 90 dB(A), epävarmuus (K) 3 dB(A)

Äänitehotaso ( $L_{Wp}$ ) 101 dB(A), epävarmuus (K) 3 dB(A)

Leikkautuiminto: ( $L_p$ ) 97 dB(A), epävarmuus (K) 3  $\text{m/s}^2$

Äänitehotaso ( $L_{Wp}$ ) 108 dB(A), epävarmuus (K) 3 dB(A)

Tärinän kokonaisarvot (vektorisumma) standardin EN 60745 mukaisesti:

Leikkatessa puuta ( $a_{h1}$ ) 2,4  $\text{m/s}^2$ , epävarmuus (K) 1,5  $\text{m/s}^2$

Leikkatessa metallia ( $a_{hM}$ ) 5,5  $\text{m/s}^2$  epävarmuus (K) 1,5  $\text{m/s}^2$

Leikkatessa betonia/laattaa ( $a_{h2}$ ) 5,5  $\text{m/s}^2$ , epävarmuus (K) 1,5  $\text{m/s}^2$

## EY-vaatimustenmukaisuusvakuutus

KONEDIREKTIIVI



FME380 Kompakti monimateriaalisaha

Stanley Europe ilmoittaa, että tuotteet, jotka on kuvattu kohdassa Tekniset tiedot, täyttävät seuraavien direktiivien vaatimukset:

2006/42/EY, EN62841-1:2015, EN 62841-2-5:2014

Nämä tuotteet täyttävät myös direktiivien 2014/30/EU ja 2011/65/EU vaatimukset. Lisätietoja saa ottamalla yhteyttä Stanley Europeen seuraavassa osoitteessa. Tiedot ovat myös käyttöoppaan takakannessa.

Allekirjoittanut vastaa teknisten tietojen kokoamisesta ja antaa tämän ilmoituksen Stanley European puolelta.



R. Laverick  
Engineering Manager  
Stanley Europe, Egide Walschaertsstraat 14-18,  
2800 Mechelen, Belgium  
23.8.2016

## Takuu

Stanley Europe on vakuuttanut tuotteidensa korkeasta laadusta ja tarjoaa kuluttajille 12 kuukauden takuun, joka astuu voimaan ostopäivänä. Takuu on lisäys kuluttajan lailisiin oikeuksiin eikä vaikuta niihin. Tämä takuu on voimassa kaikissa EU- ja ETA-maissa.

Edellytyksenä takuun saamiselle on, että vaade täyttää Stanley European ehdot ja että ostaja toimittaa ostosittien jälleenmyyjälle tai valtuutetulle huoltoliikkeelle. Stanley European yhden vuoden takuun ehdot ja lähimmän valtuutetun korjauspalvelun yhteystiedot ovat saatavilla osoitteessa [www.2helpU.com](http://www.2helpU.com) tai ottamalla yhteyttä paikalliseen Stanley FatMaxin toimipisteeseen tässä ohjekirjassa ilmoitettuihin osoitteisiin.

Käy verkkosivuiltamme osoitteessa [www.stanley.eu/3](http://www.stanley.eu/3) ja rekisteröi uusi Stanley Fat Max -tuotteesi. Sivuilta saat myös päivityksiä uusista tuotteista ja erikoistarjouksista.

## Προβλεπόμενη χρήση

Το πριόνι συμπαγών διαστάσεων για πολλαπλά υλικά Stanley Fat Max FME380 έχει σχεδιαστεί για διαμήκη και εγκάρσια κοπή ξύλου, μορισανίδας, κόντρα πλακέ, αλουμινίου, πλακιδίων, πέτρας, πλαστικού και ελαφρών δομικών υλικών που συγκρατούνται σε σταθερή θέση. Προορίζεται μόνο για κοπές μικρού μήκους. Αυτό το εργαλείο προορίζεται για επαγγελματική και ιδιωτική, μη επαγγελματική χρήση.

## Οδηγίες ασφαλείας

## Γενικές προειδοποιήσεις ασφαλείας για ηλεκτρικά εργαλεία



**Προειδοποίηση!** Διαβάστε όλες τις προειδοποιήσεις ασφαλείας και όλες τις οδηγίες. Η μη τήρηση των παρακάτω προειδοποιήσεων και οδηγιών μπορεί να προκαλέσει ηλεκτροπληξία, πυρκαγιά και/ή σοβαρές σωματικές βλάβες.

**Φυλάξτε όλες τις προειδοποιήσεις και τις οδηγίες για μελλοντική αναφορά.** Ο όρος "ηλεκτρικό εργαλείο" σε όλες τις προειδοποιήσεις, αναφέρεται σε εργαλείο που τροφοδοτείται με ρεύμα από το ηλεκτρικό δίκτυο (με καλώδιο) ή σε εργαλείο που λειτουργεί με μπαταρία (χωρίς καλώδιο).

### 1. Ασφάλεια χώρου εργασίας

- Διατηρείτε το χώρο εργασίας καθαρό και καλά φωτισμένο.** Οι ατακτοποιητοί ή σκοτεινοί χώροι γίνονται αιτίες ατυχημάτων.
- Μη χρησιμοποιείτε ηλεκτρικά εργαλεία σε περιβάλλον όπου υπάρχει κίνδυνος έκρηξης, όπως με παρουσία εύφλεκτων υγρών, αερίων ή σκόνης.** Τα ηλεκτρικά εργαλεία παράγουν σπινθήρες που μπορεί να προκαλέσουν ανάφλεξη της σκόνης ή των αναθυμιάσεων.
- Όταν χρησιμοποιείτε ηλεκτρικό εργαλείο, κρατάτε μακριά τα παιδιά και άλλα άτομα.** Παράγοντες που αποσπούν την προσοχή μπορεί να σας κάνουν να χάσετε τον έλεγχο.

### 2. Ασφαλής χρήση ηλεκτρικού ρεύματος

- Το φως του καλώδιου του ηλεκτρικού εργαλείου πρέπει να ταιριάζει στην αντίστοιχη πρίζα. Σε καμία περίπτωση μην τροποποιήσετε το φως, με κανένα τρόπο. Μη χρησιμοποιείτε φως προσαρμογής με γειωμένα ηλεκτρικά εργαλεία.** Τα φως που δεν έχουν υποστεί τροποποιήσεις και οι κατάλληλες πρίζες μειώνουν τον κίνδυνο ηλεκτροπληξίας.
- Αποφεύγετε την επαφή του σώματός σας με γειωμένες επιφάνειες, όπως σωλήνες, καλοριφέρ, κουζίνες και ψυγεία.** Υπάρχει αυξημένος κίνδυνος ηλεκτροπληξίας αν το σώμα σας είναι γειωμένο.
- Μην εκθέτετε τα ηλεκτρικά εργαλεία σε βροχή ή υγρασία.** Η εισχώρηση νερού σε ηλεκτρικό εργαλείο αυξάνει τον κίνδυνο ηλεκτροπληξίας.
- Μην κακομεταχειρίζεστε το καλώδιο. Μη χρησιμοποιείτε ποτέ το καλώδιο για να μεταφέρετε το ηλεκτρικό εργαλείο, να το τραβήξετε ή να το αποσυνδέσετε από την πρίζα. Κρατάτε το καλώδιο μακριά από θερμότητα, λάδια, αιχμηρά άκρα ή κινούμενα μέρη.** Τα καλώδια που έχουν υποστεί ζημιά ή είναι μπερδεμένα αυξάνουν τον κίνδυνο ηλεκτροπληξίας.
- Όταν χρησιμοποιείτε ηλεκτρικό εργαλείο σε εξωτερικούς χώρους, να χρησιμοποιείτε πάντοτε καλώδιο προέκτασης κατάλληλο για χρήση σε εξωτερικούς χώρους.**

- Η χρήση καλωδίου κατάλληλου για εργασία σε εξωτερικούς χώρους μειώνει τον κίνδυνο ηλεκτροπληξίας.
- στ. Εάν είναι αναπόφευκτη η χρήση ενός ηλεκτρικού εργαλείου σε συνθήκες υγρασίας, χρησιμοποιήστε μια διάταξη προστασίας από ρεύμα διαρροής (RCD).** Η χρήση μιας διάταξης RCD μειώνει τον κίνδυνο ηλεκτροπληξίας.
- 3. Προσωπική ασφάλεια**
- α. Όταν χρησιμοποιείτε ηλεκτρικό εργαλείο, να είστε σε εγρήγορση, να συγκεντρώνετε στην εργασία που κάνετε και να επιστρατεύετε την κοινή λογική. Μη χρησιμοποιείτε ηλεκτρικό εργαλείο όταν είστε κουρασμένος/η ή υπό την επήρεια ναρκωτικών, οινοπνεύματος ή φαρμακευτικής αγωγής.** Μια στιγμή απροσεξίας κατά τη χρήση ηλεκτρικών εργαλείων μπορεί να προκαλέσει σοβαρό τραυματισμό.
- β. Να χρησιμοποιείτε ατομικό εξοπλισμό προστασίας. Πάντα φοράτε προστασία ματιών.** Ο εξοπλισμός προστασίας, όπως μάσκα κατά της σκόνης, αντιολισθητικά παπούτσια ασφαλείας, κράνος ή προστασία ακοής, όταν χρησιμοποιείται για τις κατάλληλες συνθήκες, θα μειώσει τους τραυματισμούς και τις σωματικές βλάβες.
- γ. Αποτινάξτε την ακούσια ενεργοποίηση. Βεβαιωθείτε ότι ο διακόπτης βρίσκεται στη θέση απενεργοποίησης πριν συνδέσετε το εργαλείο στην πηγή ρεύματος και/ή τοποθετήσετε το πακέτο μπαταρίας, καθώς και πριν πάρετε στα χέρια σας ή μεταφέρετε το εργαλείο.** Η μεταφορά ηλεκτρικών εργαλείων με το δάχτυλο πάνω στο διακόπτη ή η σύνδεση στο ρεύμα ηλεκτρικών εργαλείων με το διακόπτη στη θέση ενεργοποίησης, ενέχει κινδύνους ατυχημάτων.
- δ. Πριν θέσετε το ηλεκτρικό εργαλείο σε λειτουργία, αφαιρέστε τυχόν εργαλεία ή κλειδιά ρύθμισης.** Αν παραμείνει εργαλείο ή κλειδί ρύθμισης συνδεδεμένο σε περιστρεφόμενο εξάρτημα του ηλεκτρικού εργαλείου, αυτό μπορεί να έχει ως αποτέλεσμα τραυματισμό ατόμων.
- ε. Μην τεντώνετε. Διατηρείτε πάντα σταθερή στήριξη στα πόδια σας και καλή ισορροπία.** Έτσι μπορείτε να έχετε καλύτερο έλεγχο του ηλεκτρικού εργαλείου σε μη αναμενόμενες καταστάσεις.
- στ. Φοράτε κατάλληλη ενδυμασία εργασίας. Μη φοράτε ρούχα με χαλαρή εφαρμογή ούτε κοσμημάτα. Κρατάτε τα μαλλιά, τα ρούχα και τα γάντια σας μακριά από κινούμενα μέρη.** Τα χαλαρά ρούχα, τα κοσμήματα και τα μακριά μαλλιά μπορούν να πιαστούν σε κινούμενα μέρη.
- ζ. Αν παρέχονται διατάξεις για τη σύνδεση συστημάτων απομάκρυνσης και συλλογής της σκόνης, βεβαιωθείτε ότι αυτές είναι συνδεδεμένες και χρησιμοποιούνται κατάλληλα.** Η χρήση διατάξεων συλλογής της σκόνης μπορεί να μειώσει τους κινδύνους που προέρχονται από τη σκόνη.
- 4. Χρήση και φροντίδα ηλεκτρικών εργαλείων**
- α. Μην υπερφορτώνετε το ηλεκτρικό εργαλείο. Χρησιμοποιείτε το σωστό ηλεκτρικό εργαλείο, ανάλογα με την εφαρμογή.** Το σωστό ηλεκτρικό εργαλείο θα εκτελέσει την εργασία καλύτερα και ασφαλέστερα, με την ένταση χρήσης για την οποία σχεδιάστηκε.
- β. Μη χρησιμοποιήσετε ηλεκτρικό εργαλείο αν ο διακόπτης του δεν μπορεί να το ενεργοποιεί και απενεργοποιεί.** Ένα ηλεκτρικό εργαλείο του οποίου η λειτουργία δεν μπορεί να ελεγχθεί με το διακόπτη είναι επικίνδυνο και πρέπει να επισκευαστεί.
- γ. Αποσυνδέστε το φως από την πηγή ρεύματος και/ή το πακέτο μπαταρίας από το ηλεκτρικό εργαλείο, πριν διεξάγετε οποιαδήποτε ρύθμιση, αλλαγή εξαρτήματος ή όταν πρόκειται να αποθηκεύσετε το ηλεκτρικό εργαλείο.** Τέτοια προληπτικά μέτρα ασφαλείας μειώνουν τον κίνδυνο αθέλητης εκκίνησης του ηλεκτρικού εργαλείου.
- δ. Να φυλάσσετε μακριά από παιδιά τα ηλεκτρικά εργαλεία που δεν χρησιμοποιείτε. Μη αφήνετε να χρησιμοποιήσουν ηλεκτρικό εργαλείο άτομα που δεν είναι εξοικειωμένα με αυτό ή άτομα που δεν έχουν διαβάσει αυτές τις οδηγίες χρήσης.** Τα ηλεκτρικά εργαλεία είναι επικίνδυνα στα χέρια μη εκπαιδευμένων χρηστών.
- ε. Να συντηρείτε τα ηλεκτρικά εργαλεία. Ελέγχετε για προβλήματα ευθυγράμμισης ή για μάγκωμα των κινούμενων εξαρτημάτων, θραύση εξαρτημάτων, καθώς και για οποιοδήποτε άλλο πρόβλημα μπορεί να επηρεάσει τη λειτουργία των ηλεκτρικών εργαλείων. Αν το ηλεκτρικό εργαλείο έχει υποστεί ζημιά, φροντίστε να επισκευαστεί πριν το χρησιμοποιήσετε.** Η ανεπαρκής συντήρηση των ηλεκτρικών εργαλείων αποτελεί αιτία πολλών ατυχημάτων.
- στ. Διατηρείτε τα κοπτικά εργαλεία κοφτερά και καθαρά.** Τα κοπτικά εργαλεία με κοφτερές κοπτικές αιχμές που συντηρούνται σωστά έχουν λιγότερες πιθανότητες να μαγκώσουν και ελέγχονται ευκολότερα.
- ζ. Να χρησιμοποιείτε το ηλεκτρικό εργαλείο, τα αξεσουάρ και τις μύτες των εργαλείων κλπ. σύμφωνα με τις παρούσες οδηγίες, λαμβάνοντας υπόψη σας τις συνθήκες εργασίας και την εργασία που θέλετε να εκτελέσετε.** Η χρήση του ηλεκτρικού εργαλείου για εργασίες διαφορετικές από τις προβλεπόμενες θα μπορούσε να οδηγήσει σε επικίνδυνη κατάσταση.
- 5. Σέρβις**
- α. Το σέρβις του ηλεκτρικού σας εργαλείου πρέπει να αναλαμβάνει έμπειρος τεχνικός που θα χρησιμοποιεί μόνο γνήσια ανταλλακτικά.** Έτσι θα εξασφαλίσετε τη διατήρηση της ασφάλειας του ηλεκτρικού εργαλείου.

## Οδηγίες ασφαλείας για όλα τα πριόνια

### Διαδικασίες κοπής



**Κίνδυνος:** Κρατάτε τα χέρια σας μακριά από την περιοχή κοπής και τη λεπίδα. Κρατάτε το δεύτερο χέρι σας πάνω στη βοηθητική λαβή ή στο περίβλημα του μοτέρ. Αν και τα δύο σας χέρια κρατούν το πριόνι, δεν μπορούν να κοπούν από τη λεπίδα

- ◆ **Μην περνάτε κανένα μέρος του σώματός σας κάτω από το τεμάχιο εργασίας.** Ο προφυλακτήρας δεν μπορεί να σας προστατεύσει από τη λεπίδα κάτω από το τεμάχιο εργασίας.
- ◆ **Ρυθμίζετε το βάθος κοπής σύμφωνα με το πάχος του τεμαχίου εργασίας.** Κάτω από το τεμάχιο εργασίας θα πρέπει να φαίνεται λιγότερο από ένα ολόκληρο δόντι της λεπίδας.
- ◆ **Ποτέ μην κρατάτε το αντικείμενο που κόβετε με τα χέρια σας ή πάνω στα πόδια σας. Στερεώνετε το τεμάχιο εργασίας σε ένα σταθερό υπόβαθρο.** Είναι σημαντικό να υποστηρίζετε σωστά το τεμάχιο εργασίας, για ελαχιστοποίηση της έκθεσης του σώματος, του μαγκώματος της λεπίδας ή της απώλειας ελέγχου.
- ◆ **Κρατάτε το ηλεκτρικό εργαλείο από μονωμένες επιφάνειες λαβής όταν εκτελείτε μια εργασία όπου το αξεσουάρ κοπής μπορεί να έρθει σε επαφή με αθέατα καλώδια ή με το ίδιο του το καλώδιο.** Ένα εξάρτημα κοπής το οποίο έρχεται σε επαφή με ηλεκτροφόρο καλώδιο μπορεί να καταστήσει ηλεκτροφόρο και τα εκτεθειμένα μεταλλικά μέρη του ηλεκτρικού εργαλείου και να προκαλέσει ηλεκτροπληξία στο χειριστή του
- ◆ **Κατά τη διαμήκη κοπή να χρησιμοποιείτε πάντα έναν οδηγό κοπής ή έναν κανόνα.** Με τον τρόπο αυτό η κοπή είναι ακριβέστερη και ελαττώνεται η πιθανότητα να μαγκώσει η λεπίδα.
- ◆ **Πάντα χρησιμοποιείτε λεπίδες με σωστό μέγεθος και σχήμα ωπών άξονα (σχήματος διαμαντιού ή κύκλου).** Λεπίδες που δεν ταιριάζουν με τα υλικά στερέωσης στο πριόνι θα κινούνται εκτός κεντραρίσματος, προκαλώντας απώλεια ελέγχου.
- ◆ **Ποτέ μη χρησιμοποιείτε ροδέλες ή μπουλόνι λεπίδας που έχουν υποστεί ζημιά ή είναι ακατάλληλα.** Οι ροδέλες και το μπουλόνι της λεπίδας έχουν σχεδιαστεί ειδικά για το πριόνι σας, για βέλτιστη απόδοση και ασφάλεια λειτουργίας.



**Προειδοποίηση!** Η επαφή με τα διάφορα είδη σκόνης που δημιουργούν οι εφαρμογές κοπής με πριόνι ή η εισπνοή της σκόνης αυτής μπορεί να ενέχει κίνδυνο για την υγεία του χειριστή και των ατόμων που ενδεχομένως παρευρίσκονται. Φοράτε μάσκα σκόνης ειδικά σχεδιασμένη για προστασία από τη σκόνη και τις αναθυμιάσεις και βεβαιωθείτε ότι τα άτομα που βρίσκονται ή εισέρχονται στο χώρο εργασίας είναι επίσης προστατευμένα.

- ◆ Μετά την κοπή με το πριόνι, καθαρίστε καλά όλη τη σκόνη.
- ◆ Μην αφήνετε παιδιά ή εγκύους να εισέρχονται στην περιοχή εργασίας.
- ◆ Μην πνίγετε, πίνετε ή καπνίζετε στο χώρο εργασίας.
- ◆ Συγκεντρώστε όλη τη σκόνη και τα άλλα υπολείμματα και απορρίψτε τα με ασφαλή τρόπο.
- ◆ Η προβλεπόμενη χρήση περιγράφεται στο παρόν εγχειρίδιο οδηγιών.  
Η χρήση οποιουδήποτε αξεσουάρ ή προσαρτήματος ή η εκτέλεση οποιασδήποτε εργασίας με αυτό το εργαλείο διαφορετικής από αυτές που συνιστώνται στο παρόν εγχειρίδιο οδηγιών ενδέχεται να εγκυμονεί κίνδυνο σωματικής βλάβης και/ή υλικών ζημιών.
- ◆ Το αξεσουάρ συνεχίζει να κινείται και μετά την απελευθέρωση του διακόπτη. Απενεργοποιείτε πάντα το εργαλείο και περιμένετε να σταματήσει εντελώς το αξεσουάρ, προτού ακουμπήσετε κάτω το εργαλείο.
- ◆ **Διατηρείτε τις λεπίδες αιχμηρές.** Οι λάμες που είναι στομωμένες ή έχουν ζημίες μπορεί να προκαλέσουν παρεκκλιση του πριονιού ή διακοπή της λειτουργίας του υπό πίεση. Χρησιμοποιείτε πάντα τον κατάλληλο τύπο λεπίδας πριονιού ανάλογα με το υλικό του τεμαχίου εργασίας και τον τύπο της κοπής.
- ◆ Όταν κόβετε σωλήνες ή αγωγούς βεβαιωθείτε ότι δεν περιέχουν νερό, ηλεκτρικές καλωδιώσεις κλπ.
- ◆ Μην αγνίζετε το τεμάχιο εργασίας ή τη λεπίδα αμέσως μετά τη χρήση του εργαλείου. Μπορούν να αποκτήσουν υψηλή θερμοκρασία.
- ◆ Προσέχετε τους κρυφούς κινδύνους και, πριν από την κοπή σε τοίχους δάπεδα ή οροφές, ελέγχετε για τις θέσεις τυχόν καλωδίων και σωλήνων.
- ◆ Αποφεύγετε να κόβετε καρφιά και ελέγχετε το υλικό που θα κοπεί για να δείτε αν περιέχει καρφιά και αφαιρέστε τυχόν καρφιά πριν την κοπή.
- ◆ Μην έχετε ή θέτετε σε λειτουργία το πριόνι ενώ το μεταφέρετε στο πλευρό σας.
- ◆ Βεβαιωθείτε ότι ο μοχλός ασφάλισης βάθους είναι σφιγμένος και ασφαλισμένος πριν πραγματοποιήσετε μια κοπή.

- ◆ Αν διακοπεί η κοπή ή μαγκώσει η λεπίδα, ελευθερώστε αμέσως τη σκανδάλη και κρατήστε το πριόνι σταθερά μέσα στο υλικό έως ότου σταματήσει τελείως να κινείται η λεπίδα. Ποτέ μην επιχειρήσετε να αφαιρέσετε το πριόνι από το τεμάχιο εργασίας ή να τραβήξετε προς τα πίσω το πριόνι ενώ κινείται η λεπίδα, αλλιώς θα μπορούσε να προκληθεί ανάδραση.

## Περαιτέρω οδηγίες ασφαλείας για όλα τα πριόνια

### Απίες ανάδρασης και σχετικές προειδοποιήσεις

- ◆ Η ανάδραση είναι η απότομη αντίδραση σε λεπίδα πριονιού που έχει σφηνώσει, μαγκώσει ή ευθυγραμμιστεί λάθος, με αποτέλεσμα ανύψωση του πριονιού έξω από το τεμάχιο εργασίας προς την κατεύθυνση του χειριστή.
- ◆ Όταν η λεπίδα έχει σφηνώσει ή μαγκώσει λόγω κλεισίματος της εντομής, η λεπίδα σταματά να περιστρέφεται και η αντίδραση του μοτέρ κατευθύνει τη μονάδα ταχύτητα προς τα πίσω προς το χειριστή.
- ◆ Αν η λεπίδα στραβώσει ή ευθυγραμμιστεί λανθασμένα μέσα στην εντομή, τα δόντια στο πίσω άκρο της λεπίδας μπορεί να εισχωρήσουν στην πάνω επιφάνεια του ξύλου, με αποτέλεσμα η λεπίδα να βγει από την εντομή και να αναπηδήσει πίσω προς το χειριστή.

Η ανάδραση είναι το αποτέλεσμα κακής χρήσης του εργαλείου και/ή λανθασμένων διαδικασιών ή συνθηκών χειρισμού και μπορεί να αποφευχθεί με τη λήψη κατάλληλων μέτρων προφύλαξης, όπως αναφέρονται πιο κάτω.

- ◆ Κρατάτε το εργαλείο γερά και με τα δύο χέρια σας και τοποθετήστε τους βραχιόνες σας έτσι ώστε να αντιδρούν στις δυναμικές ανάδρασης. Τοποθετήστε το σώμα σας σε μία από τις δύο πλευρές του πριονιού, αλλά όχι σε ευθεία με τη λεπίδα. Η ανάδραση θα μπορούσε να προκαλέσει αναπήδηση του πριονιού προς τα πίσω, αλλά οι δυνάμεις ανάδρασης μπορούν να ελεγχθούν από το χειριστή, αν ληφθούν κατάλληλα μέτρα προφύλαξης.
- ◆ Αν μαγκώσει η λεπίδα, ή σε περίπτωση διακοπής της κοπής για οποιονδήποτε λόγο, αφήστε τη σκανδάλη και κρατήστε το πριόνι ακίνητο μέσα στο αντικείμενο μέχρι να σταματήσει τελείως η λεπίδα. Ποτέ μην επιχειρήσετε να αφαιρέσετε το πριόνι από το τεμάχιο εργασίας ή να τραβήξετε προς τα πίσω το πριόνι ενώ κινείται η λεπίδα, αλλιώς μπορεί να προκληθεί ανάδραση. Διερευνήστε και πάρτε διορθωτικά μέτρα για να απαλύνετε το αίτιο του μαγκώματος της λεπίδας.
- ◆ Όταν ξεκινάτε πάλι τη λειτουργία ενός πριονιού μέσα στο τεμάχιο εργασίας, κεντράρετε τη λεπίδα πριονιού στην εντομή και ελέγξτε ότι τα δόντια του πριονιού δεν έχουν εισχωρήσει στο υλικό.

Αν η λεπίδα μαγκώνει, ενδέχεται να κινηθεί προς τα πάνω ή λόγω ανάδρασης έξω από το τεμάχιο εργασίας κατά την επανακίνηση του πριονιού.

- ◆ Υποστηρίζετε τα μεγάλα φύλλα υλικού για να ελαχιστοποιήσετε τον κίνδυνο να σφηνώσει η λεπίδα και να προκληθεί ανάδραση. Τα μεγάλα φύλλα υλικού έχουν την τάση να κάμπτονται από το ίδιο τους το βάρος. Υποστηρίγματα πρέπει να τοποθετούνται κάτω από το φύλλο και στις δύο πλευρές, κοντά στη γραμμή κοπής και κοντά στην άκρη του φύλλου.
- ◆ Μη χρησιμοποιείτε λεπίδες που είναι στομωμένες ή έχουν υποστεί ζημιά. Οι ατρόχιστες ή ακατάλληλα ρυθμισμένες λεπίδες παράγουν στενή εντομή, η οποία προκαλεί υπερβολική τριβή, μάγκωμα της λεπίδας και ανάδραση.
- ◆ Οι μοχλοί ασφάλισης ρύθμισης βάθους λεπίδας και φαλτσογωνιάς πρέπει να είναι σφηνμένοι και καλά στερεωμένοι πριν κάνετε μια κοπή. Αν η ρύθμιση της λεπίδας αλλάξει κατά την κοπή, μπορεί να προκληθεί μάγκωμα και ανάδραση.
- ◆ Να προσέχετε ιδιαίτερα όταν κόβετε σε υπάρχοντες τοίχους ή σε άλλες περιοχές όπου δεν έχετε περιμετρική ορατότητα. Η λεπίδα που προεξέχει μπορεί να κόψει αντικείμενα που θα προκαλέσουν ανάδραση.

### Λειτουργία κάτω προφυλακτήρα

- ◆ Ελέγξτε εάν έχει κλείσει καλά ο προφυλακτήρας πριν από κάθε χρήση. Μη χρησιμοποιήσετε το πριόνι αν ο προφυλακτήρας δεν κινείται ελεύθερα και δεν περικλείει άμεσα τη λεπίδα. Ποτέ μην ασφαλίσετε ή δένετε τον προφυλακτήρα ώστε η λάμα να είναι εκτεθειμένη. Αν πέσει κατά λάθος το πριόνι, ενδέχεται να στραβώσει ο προφυλακτήρας. Βεβαιωθείτε ότι ο προφυλακτήρας κινείται ελεύθερα και δεν εφάπτεται με τη λεπίδα ή οποιοδήποτε άλλο εξάρτημα, σε όλες τις γωνίες και βάση κοπής.
- ◆ Ελέγξτε τη λειτουργία του ελατηρίου του κάτω προφυλακτήρα. Αν ο προφυλακτήρας και το ελατήριο δεν λειτουργούν σωστά, πρέπει να επισκευαστούν πριν τη χρήση. Ο κάτω προφυλακτήρας μπορεί να λειτουργεί βραδυκίνητα λόγω ζημιάς σε εξαρτήματα, λόγω κολλωδών αποθέσεων ή συσσώρευσης υπολειμμάτων.
- ◆ Ο κάτω προφυλακτήρας επιτρέπεται να ανασύρεται χειροκίνητα μόνο για ειδικές κοπές όπως “κοπές βύθισης” και “σύνθετες κοπές”. Ανυψώστε τον κάτω προφυλακτήρα με τη λαβή ανασύρσης και μόλις η λεπίδα εισέλθει στο υλικό, ο κάτω προφυλακτήρας πρέπει να απελευθερωθεί. Για όλες τις άλλες κοπές, ο κάτω προφυλακτήρας θα πρέπει να λειτουργεί αυτόματα.
- ◆ Πάντα να προσέχετε ο κάτω προφυλακτήρας να καλύπτει τη λεπίδα πριν αφήσετε το πριόνι σε πάγκο ή στο δάπεδο.

Μια απροστάτευτη λεπίδα που περιστρέφεται μέχρι να σταματήσει, θα προκαλέσει οπισθοδρόμηση του πριονιού, που θα κόψει οτιδήποτε βρεθεί στην πορεία του. Να έχετε υπόψη σας το χρόνο που χρειάζεται για να σταματήσει η λεπίδα μετά την απελευθέρωση του διακόπτη.

### Λεπίδες πριονιού

- ◆ Μη χρησιμοποιείτε λεπίδες μεγαλύτερης ή μικρότερης διαμέτρου από τη συνιστώμενη. Για τη σωστή διαβάθμιση της λεπίδας ανατρέξτε στα τεχνικά χαρακτηριστικά. Χρησιμοποιείτε μόνο τις λεπίδες που προβλέπονται στο παρόν εγχειρίδιο οδηγιών, σε συμμόρφωση με το πρότυπο EN 847-1.
- ◆ **Προειδοποίηση!** Ποτέ μην χρησιμοποιείτε δίσκους λείανσης.

### Ασφάλεια τρίτων

- ◆ Αυτό το εργαλείο μπορεί να χρησιμοποιηθεί από παιδιά ηλικίας 8 ετών και άνω καθώς και από άτομα με μειωμένες σωματικές, αντιληπτικές ή διανοητικές ικανότητες ή από άτομα χωρίς εμπειρία και γνώσεις, μόνο εφόσον αυτά επιτηρούνται ή τους έχουν δοθεί οδηγίες σχετικά με την ασφαλή χρήση της συσκευής και έχουν κατανοήσει τους πιθανούς κινδύνους.
- ◆ Τα παιδιά δεν πρέπει να παίζουν με το εργαλείο. Ο καθαρισμός και η συντήρηση από το χρήστη δεν πρέπει να γίνονται από παιδιά χωρίς επίβλεψη.

### Υπολειπόμενοι κίνδυνοι

Κατά τη χρήση του εργαλείου μπορεί να δημιουργηθούν πρόσθετοι υπολειπόμενοι κίνδυνοι, οι οποίοι ενδέχεται να μη συμπεριλαμβάνονται στις προειδοποιήσεις ασφαλείας που σεωκλείονται. Αυτοί οι κίνδυνοι μπορεί να προκληθούν από κακή χρήση, παρατεταμένη χρήση κλπ.

Παρά την εφαρμογή των σχετικών κανονισμών ασφαλείας και τη χρήση διατάξεων ασφαλείας, ορισμένοι υπολειπόμενοι κίνδυνοι δεν είναι δυνατό να αποφευχθούν. Σ' αυτούς περιλαμβάνονται:

- ◆ Τραυματισμοί από επαφή με περιστρεφόμενα/κινούμενα μέρη.
- ◆ Τραυματισμοί κατά την αλλαγή οποιωνδήποτε εξαρτημάτων, λεπίδων ή αξεσουάρ.
- ◆ Σωματικές βλάβες από παρατεταμένη χρήση του εργαλείου. Όταν χρησιμοποιείτε οποιοδήποτε εργαλείο για παρατεταμένα χρονικά διαστήματα, μην παραλείπετε με κανένα τρόπο να κάνετε τακτικά διαλείμματα.
- ◆ Βλάβη της ακοής.
- ◆ Κίνδυνοι για την υγεία λόγω εισπνοής σκόνης που αναπτύσσεται κατά τη χρήση του εργαλείου σας (παραδείγματα: εργασία με ξύλο, ειδικά βελανιδιά, οξιά και MDF).

### Κραδασμοί

Η δηλωμένη τιμή εκπομπής κραδασμών που αναφέρεται στα τεχνικά χαρακτηριστικά και τη δήλωση συμμόρφωσης έχει μετρηθεί σύμφωνα με τυποποιημένη μέθοδο δοκιμής που παρέχεται από το πρότυπο EN 60745 και μπορεί να χρησιμοποιηθεί για τη σύγκριση ενός εργαλείου με ένα άλλο. Η δηλωμένη τιμή εκπομπής κραδασμών μπορεί να χρησιμοποιηθεί και σε έναν προκαταρκτικό προσδιορισμό της έκθεσης σε κραδασμούς.

**Προειδοποίηση!** Στην πράξη, η τιμή εκπομπής κραδασμών κατά την χρήση του ηλεκτρικού εργαλείου μπορεί να διαφέρει από την τιμή που δηλώθηκε, ανάλογα με τον τρόπο που χρησιμοποιείται το εργαλείο. Το επίπεδο κραδασμών μπορεί να αυξηθεί πάνω από το επίπεδο που έχει δηλωθεί.

Κατά τον προσδιορισμό της έκθεσης σε κραδασμούς για τον καθορισμό των απαιτούμενων μέτρων ασφαλείας σύμφωνα με την οδηγία 2002/44/EK για την προστασία προσώπων που χρησιμοποιούν συχνά ηλεκτρικά εργαλεία στην εργασία τους, μια προσεγγιστική εκτίμηση της έκθεσης σε κραδασμούς πρέπει να λαμβάνει υπόψη τις πραγματικές συνθήκες χρήσης και τον τρόπο χρήσης του εργαλείου, συμπεριλαμβανομένων και όλων των επιμέρους τμημάτων του κύκλου εργασίας, όπως τα χρονικά διαστήματα που το εργαλείο ήταν εκτός λειτουργίας και τα διαστήματα λειτουργίας χωρίς φορτίο, επιπλέον του χρόνου πίεσης της σκανδάλης.

### Ετικέτες πάνω στο εργαλείο

Τα εικονογράμματα που ακολουθούν μαζί με τον κωδικό ημερομηνίας εμφανίζονται πάνω στο εργαλείο:



**Προειδοποίηση!** Για να μειωθεί ο κίνδυνος τραυματισμού, ο χρήστης πρέπει να διαβάσει το εγχειρίδιο οδηγιών.



Φορέστε προστατευτικά γυαλιά ασφαλείας.



Φορέστε ωτοασπίδες.



Φοράτε μάσκα προστασίας από σκόνη.



Αυτό το προϊόν δεν πρέπει να χρησιμοποιείται από παιδιά κάτω των 16 ετών.



Απαγορευμένη περιοχή για τα χέρια - Κρατήστε τα δάχτυλα και τα χέρια σας μακριά από περιστρεφόμενες λεπίδες κοπής.





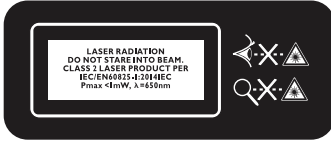
Φοράτε γάντια κατά το χειρισμό δίσκων κοπής.



**Προειδοποίηση!** Ακτινοβολία λέιζερ.



Μην κοιτάζετε απευθείας στη δέσμη λέιζερ χρησιμοποιώντας οπτικά όργανα.



## Ασφαλής χρήση ηλεκτρικού ρεύματος



Αυτό το εργαλείο φέρει διπλή μόνωση. Επομένως, δεν απαιτείται καλώδιο γείωσης. Ελέγχετε πάντα ότι η παροχή ρεύματος αντιστοιχεί στην τάση που αναφέρεται στην πινακίδα τεχνικών χαρακτηριστικών.

- ♦ Αν έχει υποστεί ζημιά το καλώδιο τροφοδοσίας, αυτό πρέπει να αντικατασταθεί από τον κατασκευαστή ή από εξουσιοδοτημένο κέντρο σέρβις Stanley Fat Max, ώστε να αποφευχθούν τυχόν κίνδυνοι.

## Χαρακτηριστικά

Αυτό το εργαλείο διαθέτει μερικά από ή όλα τα παρακάτω χαρακτηριστικά.

1. Διακόπτης σκανδάλης ενεργοποίησης/ απενεργοποίησης
2. Κλίμακα βάθους κοπής
3. Σφινγκήρας για ρύθμιση του βάθους κοπής
4. Κάτω προφυλακτήρας
5. Κουμπί ρύθμισης παράλληλου οδηγού
6. Παράλληλος οδηγός
7. Πλάκα βάσης
8. Φλάντζα σύσφιξης
9. Μπουλόνι λεπίδας
10. Κουμπί απελευθέρωσης της ασφάλισης σκανδάλης και του πέλδου
11. Ανοίγματα αερισμού
12. Στόχαστρο λέιζερ
13. Σύνδεση για εξαγωγή σκόνης
14. Κουμπί ασφάλισης άξονα
15. Κλειδί Άλεν
16. Διαμαντολεπίδα πριονιού
17. Λεπίδα πριονιού από σκληρυμένο χάλυβα
18. Λεπίδα πριονιού TCT
19. Εύκαμπτος σωλήνας εξαγωγής σκόνης
20. Ένδειξη γραμμής κοπής

## Συναρμολόγηση

Ελέγξτε για ζημιές στο εργαλείο, στα εξαρτήματα και στα αξεσουάρ, που μπορεί να προκλήθηκαν κατά τη μεταφορά. Αφιερώστε το χρόνο που χρειάζεται για να διαβάσετε αυτό το εγχειρίδιο προσεκτικά και να κατανοήσετε πλήρως το περιεχόμενό του πριν τη συναρμολόγηση και τη χρήση.

## Χρήση

**Προειδοποίηση!** Αφήστε το εργαλείο να λειτουργήσει με το δικό του ρυθμό. Μην το υπερφορτώνετε.

## Ενεργοποίηση και απενεργοποίηση (εικ. Α)

**Σημείωση:** Πριν χρησιμοποιήσετε το διακόπτη ενεργοποίησης/ απενεργοποίησης (on/off), ελέγξτε τη λεπίδα πριονιού για να διαπιστώσετε αν είναι τοποθετημένη σωστά και κινείται ομαλά, και αν είναι σφινγμένη καλά η βίδα του σφινγκήρα της λεπίδας.

- ♦ **Πιέστε** το κουμπί απελευθέρωσης της ασφάλισης σκανδάλης και του πέλδου (10) για να ελευθερώσετε τη σκανδάλη.
- ♦ Ενεργοποιήστε το εργαλείο πιέζοντας το διακόπτη σκανδάλης (1).
- ♦ Απενεργοποιήστε το εργαλείο ελευθερώνοντας το διακόπτη σκανδάλης (1).

## Ρύθμιση του βάθους κοπής (0-28,5 mm) (εικ. Β)

- ♦ Λασκάρετε το σφινγκήρα (3).
- ♦ Ρυθμίστε το επιθυμητό βάθος κοπής χρω την κλίμακα (2).
- ♦ Σφίξτε το σφινγκήρα (3)
- ♦ Για την καλύτερη ποιότητα κοπής, η λεπίδα πριονιού δεν πρέπει να εκτείνεται περισσότερο από 3 mm κάτω από το τεμάχιο εργασίας
- ♦ Έχετε υπόψη σας ότι το πραγματικό βάθος κοπής του διαμαντοδίσκου διαφέρει περίπου κατά 2 mm από το βάθος κοπής που υποδεικνύεται στην κλίμακα (2).

**Σημείωση:** Πάντα κάνετε πρώτα δοκιμαστικές κοπές για να επαληθεύσετε την πραγματική γραμμική κοπή.

## Αναρρόφηση της σκόνης (εικ. C)

- ♦ Συνδέστε τον εύκαμπο σωλήνα (19) της ηλεκτρικής σκούπας στο σύνδεσμο (13) και στην ηλεκτρική σκούπα, όπως δείχνει η εικόνα.

**Προειδοποίηση!** Ποτέ μην επιτρέψετε να εμποδίσει ο εύκαμπτος

σωλήνας της ηλεκτρικής σκούπας τη λειτουργία του κάτω προφυλακτήρα ή τη διαδικασία κοπής.

**Προειδοποίηση!** Μη χρησιμοποιείτε ηλεκτρική σκούπα κατά την κοπή μετάλλων.

**Αλλαγή λεπίδας πριονιού (εικ. D - G)**

**Προειδοποίηση!** Πριν αλλάξετε λεπίδες ή πραγματοποιήσετε οποιαδήποτε συντήρηση, βεβαιωθείτε ότι το εργαλείο είναι απενεργοποιημένο και αποσυνδεδεμένο από την πηγή ρεύματος.

- ♦ Ρυθμίστε το βάθος κοπής στη μέγιστη τιμή του (εικ. D).
- ♦ **Χρησιμοποιήστε** το παρεχόμενο κλειδί Άλεν (15).
- ♦ Πιέστε το κουμπί ασφάλισης άξονα (14) και κρατήστε το πατημένο (εικ. E).

Αφαιρέστε το μπουλόνι της λεπίδας (9) περιστρέφοντας το κλειδί Άλεν (15)

ΔΕΞΙΟΣΤΡΟΦΑ (= ίδια φορά με το βέλος που είναι τυπωμένο πάνω στον προφυλακτήρα) (εικ. F).

- ♦ Ελευθερώστε το κουμπί ασφάλισης άξονα (14).
- ♦ Αφαιρέστε τη φλάντζα (8).
- ♦ Πατήστε το κουμπί (10) με τον αντίχειρά σας
- ♦ Ανυψώστε τη βάση (7) και αφαιρέστε τη λεπίδα πριονιού.
- ♦ Εγκαταστήστε τη νέα λεπίδα αφού βεβαιωθείτε ότι η λεπίδα θα περιστρέφεται στην ίδια κατεύθυνση με το βέλος που είναι τυπωμένο πάνω στο προφυλακτήρα.
- ♦ Τοποθετήστε τη φλάντζα (8).
- ♦ Σφίξτε καλά το μπουλόνι της λεπίδας (9) περιστρέφοντας το κλειδί Άλεν (15)

ΑΡΙΣΤΕΡΟΣΤΡΟΦΑ ενώ πιέζετε το κουμπί ασφάλισης άξονα (14).

- ♦ Ελευθερώστε το κουμπί ασφάλισης άξονα (14).

**Χρήση του εργαλείου (εικ. H - M)**

- ♦ Ρυθμίστε το επιθυμητό βάθος κοπής.
- ♦ Συνδέστε το φως στην πηγή ρεύματος.
- ♦ Πατήστε το κουμπί (10) με τον αντίχειρά σας.
- ♦ Τοποθετήστε το εργαλείο με το μπροστινό άκρο της βάσης σε πλήρη επαφή με το τεμάχιο εργασίας.
- ♦ Γείρετε το εργαλείο προς τα εμπρός με το δείκτη γραμμής κοπής (20) ευθυγραμμισμένο με την επιθυμητή γραμμή κοπής που έχετε σημειώσει πάνω στο τεμάχιο εργασίας (Εικ. H).
- ♦ Βεβαιωθείτε ότι τα δόντια του πριονιού δεν έχουν εισχωρήσει στο τεμάχιο εργασίας.
- ♦ Ενεργοποιήστε το εργαλείο.
- ♦ Το εργαλείο πρέπει να έχει αποκτήσει την πλήρη του ταχύτητα πριν εισάγετε τη λεπίδα στο τεμάχιο εργασίας.
- ♦ Μην ασκείτε υπερβολική δύναμη στο εργαλείο (πρέπει να ασκείτε μόνο ελαφρά και συνεχή πίεση για να αποφύγετε υπερθέρμανση στις μύτες της λεπίδας, και, σε περίπτωση κοπής πλαστικών, την τήξη του πλαστικού υλικού).
- ♦ Κατά την εργασία, πάντα να κρατάτε το εργαλείο από μονωμένες περιοχές λαβής.
- ♦ Αφού ολοκληρώσετε την κοπή, απενεργοποιήστε το εργαλείο ελευθερώνοντας τη σκανδάλη (1).
- ♦ Βεβαιωθείτε ότι το εργαλείο έχει ακινητοποιηθεί πλήρως, πριν το ανυψώσετε από το τεμάχιο εργασίας.

**Ηλεκτρονική λειτουργία. Δράση ακτίνας λέιζερ (εικ. I)**

**Προσοχή!** Όταν δεν χρησιμοποιείτε το λέιζερ, να βεβαιώνεστε ότι το απενεργοποιείτε.

Ποτέ μην κοιτάζετε απευθείας μέσα στην ακτίνα λέιζερ: η ακτίνα λέιζερ μπορεί να προκαλέσει βλάβη στα μάτια σας. ΑΚΤΙΝΟΒΟΛΙΑ ΛΕΙΖΕΡ: ΜΗΝ ΚΟΙΤΑΖΕΤΕ ΜΕΣΑ ΣΤΗΝ ΑΚΤΙΝΑ ή σε οποιαδήποτε ΠΡΟΪΟΝΤΑ ΛΕΙΖΕΡ ΚΑΤΗΓΟΡΙΑΣ II.

Πριν μετακινήσετε τη γραμμή λέιζερ ή πραγματοποιήσετε ρύθμιση συντήρησης, να βεβαιώνεστε να αποσυνδέετε το εργαλείο από την πρίζα.

- ♦ Για να ενεργοποιήσετε/ απενεργοποιήσετε το λέιζερ, χρησιμοποιήστε το διακόπτη (12a) στο πίσω μέρος του περιβλήματος.

**Καθαρισμός του φακού για το φως λέιζερ**

Αν λερωθεί ο φακός για το φως λέιζερ, ή αν κολλήσει πάνω του σκόνη από το πριόνισμα, και δεν είναι πια εύκολα ορατή η γραμμή λέιζερ, αποσυνδέστε το πριόνι από την πρίζα και καθαρίστε το φακό προσεκτικά χρησιμοποιώντας ένα ελαφρά υγρό, μαλακό πανί. Μη χρησιμοποιείτε πάνω στο φακό διαλύτες ή οποιαδήποτε καθαριστικά βάσης πετρελαίου.

**Σημείωση:** Όταν η γραμμή λέιζερ δεν είναι φωτεινή και σχεδόν δεν φαίνεται λόγω απευθείας ηλιακής ακτινοβολίας σε εσωτερικό ή εξωτερικό παράθυρο κοντά στην περιοχή εργασίας σας, αλλάξτε την περιοχή εργασίας σας σε θέση που δεν είναι εκτεθειμένη σε άμεση ηλιακή ακτινοβολία.

**Σημείωση:** Όλες οι ρυθμίσεις για τη λειτουργία αυτού του μηχανήματος έχουν γίνει ήδη από το εργοστάσιο.

**ΠΡΟΣΟΧΗ:** Η χρήση χειρισμών ή ρυθμίσεων ή η εκτέλεση διαδικασιών διαφορετικών από ότι καθορίζεται στο παρόν μπορεί να προκαλέσει επικίνδυνη έκθεση σε ακτινοβολία. Η χρήση οπτικών οργάνων με αυτό το προϊόν θα αυξήσει τον κίνδυνο για τα μάτια. Μην επιχειρήσετε να επισκευάσετε ή να αποσυναρμολογήσετε το λέιζερ. Αν επιχειρηθεί επισκευή αυτού του προϊόντος λέιζερ από μη αρμόδια άτομα, μπορεί να προκύψει σοβαρή σωματική βλάβη. Οποιαδήποτε επισκευή απαιτηθεί σε αυτό το προϊόν λέιζερ πρέπει να πραγματοποιείται από προσωπικό του εξουσιοδοτημένου κέντρου σέρβις.

**Κοπή βύθισης (εικ. J)**

- ♦ Πιέστε το κουμπί (10).
- ♦ Ενεργοποιήστε το εργαλείο.

**Προειδοποίηση!** Το εργαλείο πρέπει να έχει αποκτήσει την πλήρη ταχύτητα πριν εισάγετε τη λεπίδα στο τεμάχιο εργασίας.

- ♦ Γείρετε το εργαλείο προς τα εμπρός με το δείκτη γραμμής κοπής (20) ευθυγραμμισμένο με την επιθυμητή γραμμή κοπής που έχετε σημειώσει πάνω στο τεμάχιο εργασίας. Βαθμιαία κινήστε το εργαλείο προς τα εμπρός.

**Προειδοποίηση!** Ποτέ μην τραβήξετε το εργαλείο προς τα πίσω.

### Χρήση του παράλληλου οδηγού (εικ. Κ)

- ◆ Για ακριβείς κοπές κατά μήκος μιας πλευράς του τεμαχίου εργασίας.
- ◆ Μπορεί να εισαχθεί σε οποιαδήποτε από τις δύο πλευρές της βάσης.

### Ρύθμιση του παράλληλου οδηγού

- ◆ Λασκάρετε το κουμπί (5)
- ◆ Ρυθμίστε το επιθυμητό πλάτος κοπής βάσει της κλίμακας του παράλληλου οδηγού (χρησιμοποιήστε το δείκτη γραμμής κοπής (20) ως αναφορά για το πλάτος 0).
- ◆ Σφίξτε το κουμπί (5).

### Συμβουλές για βέλτιστη χρήση

- ◆ Χρησιμοποιείτε μόνο αιχμηρές λεπίδες πριονιού του σωστού τύπου και μεγέθους (εικ. L).
- ◆ Χρησιμοποιείτε λεπίδα πριονιού από σκληρυμένο χάλυβα (17) για την κοπή ξύλου, αλουμινίου, πλαστικού και κάθε είδους πολυστρωματικού ξύλου
- ◆ Χρησιμοποιήστε τη διαμαντολεπίδα πριονιού (16) για κοπή κεραμικών και πλακιδίων
- ◆ Χρησιμοποιείτε τη λεπίδα μύτες καρβιδίου (18) μόνο για ξύλο και πλαστικό

### Κοπή μεγάλων φύλλων υλικού (εικ. Μ)

- ◆ Υποστηρίξτε τα μεγάλα φύλλα υλικού κοντά στην περιοχή κοπής είτε στο δάπεδο, σε τραπέζι ή σε πάγκο εργασίας.

**Προειδοποίηση!** Ρυθμίστε το βάθος κοπής ώστε να κόψετε μόνο το φύλλο και όχι το στήριγμά του.

- ◆ Σε περίπτωση που ο παράλληλος οδηγός δεν επιτρέπει το επιθυμητό πλάτος κοπής, στερεώστε με σύσφιξη ή καρφώστε ένα ευθύγραμμο κομμάτι ξύλου στο τεμάχιο εργασίας ως οδηγό, και χρησιμοποιήστε τη δεξιά πλευρά της βάσης σε συνεχή επαφή με αυτό τον οδηγό.

### Κοπή χωρίς σχίζες

- ◆ Πάντα να τοποθετείτε την καλή πλευρά του τεμαχίου εργασίας προς τα κάτω - στερεώνετε πάνω στο τεμάχιο εργασίας ένα ευθύγραμμο κομμάτι ξύλου με τη χρήση 2 σφιγκτήρων.

### Κοπή ιδιαίτερα σκληρών ή λειαντικών υλικών

#### Μαλακό μεταλλικό έλασμα

- ◆ Πάντα να ρυθμίζετε το βάθος κοπής τουλάχιστον 1 mm βαθύτερα από το πάχος του υλικού για να αποφύγετε να εξέλθει η λεπίδα προς την επιφάνεια.

Απαιτείται να χρησιμοποιείτε κάποιο άχρηστο υλικό κάτω από την επιφάνεια του τεμαχίου εργασίας.

- ◆ Αφαιρείτε τα γρέζια και τις σκουριές, γιατί εμποδίζουν την προώθηση του εργαλείου πάνω στο υλικό.
- ◆ Η εφαρμογή πυκνού κεριού μέλισσας (γυαλιστικού επιτίλων) στην πλάκα βάσης του εργαλείου διευκολύνει την κοπή μετάλλων.
- ◆ Το εργαλείο είναι κατάλληλο μόνο για κοπή μπρούτζου, χαλκού, μολύβδου ή αλουμινίου.
- ◆ Κάθε 2 λεπτά κοπής μετάλλου πρέπει να σταματάτε για τουλάχιστον 3 λεπτά.

### Κεραμικά πλακίδια, πλάκες κλπ.

- ◆ Χρησιμοποιείτε μόνο λεπίδα ειδικά σχεδιασμένη για το σκοπό αυτό.
- ◆ Πάντα χρησιμοποιείτε το εργαλείο με συνδεδεμένη κατάλληλη ηλεκτρική σκούπα ή συσκευή εξαγωγής σκόνης, επειδή η σκόνη μπορεί να είναι επικίνδυνη για το χειριστή και να εμποδίζει τη σωστή λειτουργία του προφυλακτήρα.

### Γυφτοσανίδα:

- ◆ Το πριόνι κοπής βύθισης συνιστάται μόνο για περιστασιακή κοπή εσωτερικών ανοιγμάτων σε γυφτοσανίδα και πρέπει πάντα να το χρησιμοποιείτε συνδεδεμένο με κατάλληλη ηλεκτρική σκούπα ή συσκευή εξαγωγής σκόνης. Η σκόνη μπορεί να εμποδίσει τη σωστή λειτουργία του προφυλακτήρα.
- ◆ Συμβατικά εργαλεία όπως μικρό πριόνι για σπές ή μαχαιρία, γενικά έχουν εξαιρετικά αποτελέσματα,ωστόσο το πριόνι κοπής βύθισης μπορεί να χρησιμοποιηθεί αν απαιτείται μια ιδιαίτερα προσεγμένη ελεύθερη κοπή χωρίς σκόνη, ή αν υπάρχει κίνδυνος κοπής σωλήνων ή καλωδίων.

### Συντήρηση

Αυτή η συσκευή/εργαλείο με καλώδιο/χωρίς καλώδιο της Stanley Fat Max έχει σχεδιαστεί έτσι ώστε να λειτουργεί για μεγάλο χρονικό διάστημα με την ελάχιστη δυνατή συντήρηση. Η συνεχής και ικανοποιητική λειτουργία εξαρτάται από τη σωστή φροντίδα και τον τακτικό καθαρισμό του εργαλείου.

**Προειδοποίηση!** Πριν πραγματοποιήσετε οποιαδήποτε συντήρηση σε ηλεκτρικά εργαλεία ρεύματος/μπαταρίας:

- ◆ Απενεργοποιήστε και αποσυνδέστε τη συσκευή/το εργαλείο από την πρίζα.
- ◆ Ή απενεργοποιήστε και αφαιρέστε την μπαταρία από τη συσκευή/το εργαλείο αν η συσκευή/το εργαλείο διαθέτει αφαιρούμενο πακέτο μπαταρίας.
- ◆ Ή χρησιμοποιήστε τη συσκευή μέχρι να εξαντληθεί πλήρως η μπαταρία, αν είναι ενσωματωμένη, και στη συνέχεια απενεργοποιήστε τη συσκευή.

- ◆ Να καθαρίζετε τακτικά τις εγκοπές εξαιρισμού της συσκευής/του εργαλείου/του φορτιστή χρησιμοποιώντας μια μαλακή βούρτσα ή ένα στεγνό πανί.
- ◆ Να καθαρίζετε τακτικά το περίβλημα του μοτέρ με ένα ελαφρά υγρό πανί.  
Μη χρησιμοποιείτε καθαριστικά που χαράζουν ή περιέχουν διαλύτες.

**Προειδοποίηση!** Αν προκύψει οτιδήποτε από τα ακόλουθα κατά την κανονική λειτουργία, η παροχή ρεύματος πρέπει να διακοπεί άμεσα και το εργαλείο να επιθεωρηθεί σχολαστικά από εξειδικευμένο άτομο και να επισκευαστεί αν χρειάζεται:

- ◆ Τα περιστρεφόμενα μέρη κολλήσουν ή η ταχύτητα μειωθεί υπερβολικά.
- ◆ Το εργαλείο δονείται με μη φυσιολογικό τρόπο και ακούγεται ασυνήθιστος θόρυβος.
- ◆ Το περίβλημα του μοτέρ θερμανθεί υπερβολικά.
- ◆ Προκύψει έντονη παραγωγή σπινθηρών γύρω από την περιοχή του μοτέρ

### Αντικατάσταση του φινιρίσματος (Ην. Βασίλειο & Ιρλανδία μόνο)

Αν χρειάζεται να τοποθετηθεί νέο φινιρίσματος:

- ◆ Απορρίψτε με ασφαλή τρόπο το παλιό φινιρίσματος.
- ◆ Συνδέστε τον καφέ αγωγό στον ηλεκτροφόρο ακροδέκτη (φάση) του νέου φινιρίσματος.
- ◆ Συνδέστε τον μπλε αγωγό στον ουδέτερο ακροδέκτη.

**Προειδοποίηση!** Δεν πρέπει να γίνει καμία σύνδεση στον ακροδέκτη γείωσης. Ακολουθήστε τις οδηγίες συναρμολόγησης που συνοδεύουν τα καλής ποιότητας φινιρίσματα. Συνιστώμενη ασφάλεια: 5 A.

### Προστασία του περιβάλλοντος



Χωριστή συλλογή. Τα προϊόντα και οι μπαταρίες που επισημαίνονται με αυτό το σύμβολο δεν πρέπει να απορρίπτονται μαζί με τα κανονικά οικιακά απορρίμματα.

Τα προϊόντα και οι μπαταρίες περιέχουν υλικά που μπορούν να ανακτηθούν ή να ανακυκλωθούν ώστε να μειωθούν οι ανάγκες για πρώτες ύλες.

Παρακαλούμε να ανακυκλώνετε τα ηλεκτρικά προϊόντα και τις μπαταρίες σύμφωνα με τους τοπικούς κανονισμούς. Περισσότερες πληροφορίες διατίθενται στον ιστότοπο [www.2helpU.com](http://www.2helpU.com)

### Τεχνικά δεδομένα

		FME380
Τάση	$V_{AC}$	230
Ταχύτητα χωρίς φορτίο	$min^{-1}$	4500
Μέγεθος λεπίδας	mm	89
Μέγ. βάθος κοπής (μαλακό ξύλο)	mm	28,5
Μέγ. βάθος κοπής (πλακάδια)	mm	8
Μέγ. βάθος κοπής (αλουμίνιο)	mm	3

#### Στάθμη ηχητικής πίεσης σύμφωνα με το EN 60745:

Λειτουργία δισκοπρίνου: Ηχητική πίεση ( $L_p$ ) 90 dB(A), αβεβαιότητα (K) 3 dB(A)

Ηχητική ισχύς ( $L_{Wp}$ ) 101 dB(A), αβεβαιότητα (K) 3 dB(A)

Λειτουργία μηχανήματος κοπής: ( $L_p$ ) 97 dB(A), αβεβαιότητα (K) 3 dB(A)

Ηχητική ισχύς ( $L_{Wp}$ ) 108 dB(A), αβεβαιότητα (K) 3 dB(A)

#### Συνολικές τιμές κραδασμών (διανυσματικό άθροισμα σε τρεις άξονες) κατά EN 60745:

Κοπή ξύλου ( $a_{h,M}$ ) 2,4  $m/s^2$ , αβεβαιότητα (K) 1,5  $m/s^2$

Κοπή μετάλλου ( $a_{h,M}$ ) 5,5  $m/s^2$ , αβεβαιότητα (K) 1,5  $m/s^2$

Κοπή πλάκας σκυροδέματος ( $a_{h,M}$ ) 5,5  $m/s^2$ , αβεβαιότητα (K) 1,5  $m/s^2$

### Δήλωση συμμόρφωσης ΕΚ

ΟΔΗΓΙΑ ΠΕΡΙ ΜΗΧΑΝΗΜΑΤΩΝ



FME380 Συμπαγών διαστάσεων πρίονι για πολλαπλά υλικά

H Stanley Europe δηλώνει ότι αυτά τα προϊόντα που περιγράφονται στα "τεχνικά χαρακτηριστικά" συμμορφώνονται με:

2006/42/ΕΚ, EN62841-1:2015, EN 62841-2:5:2014

Αυτά τα προϊόντα συμμορφώνονται επίσης με την Οδηγία 2014/30/ΕΕ και 2011/65/ΕΕ. Για περισσότερες πληροφορίες, παρακαλείσθε να επικοινωνήσετε με την Stanley Europe στην παρακάτω διεύθυνση ή να ανατρέξετε στο πίσω μέρος του χειριδίου.

Ο κάτωθι υπογεγραμμένος είναι υπεύθυνος για την κατάρτιση του τεχνικού φακέλου και δηλώνει τα παρόντα εκ μέρους της Stanley Europe.



R. Laverick  
Υπεύθυνος Σχεδιασμού  
Stanley Europe, Egide Walschaertsstraat14-18,  
2800 Mechelen, Belgium  
23/08/2016

## Εγγύηση

Η Stanley Europe είναι σίγουρη για την ποιότητα των προϊόντων της και προσφέρει στους καταναλωτές εγγύηση 12 μηνών από την ημερομηνία αγοράς. Αυτή η εγγύηση είναι πρόσθετο δικαίωμά σας και δεν ζημιώνει τα νόμιμα δικαιώματά σας. Η εγγύηση ισχύει εντός της επικράτειας των χωρών μελών της Ευρωπαϊκής Ένωσης και της Ευρωπαϊκής Ζώνης Ελεύθερων Συναλλαγών.

Για να υποβάλετε αξίωση βάσει της εγγύησης, η αξίωση θα πρέπει να είναι σύμφωνη με τους Όρους και προϋποθέσεις της Stanley Europe και θα χρειαστεί να υποβάλετε απόδειξη αγοράς στον πωλητή ή σε εξουσιοδοτημένο αντιπρόσωπο επισκευών. Μπορείτε να αποκτήσετε τους Όρους και προϋποθέσεις της εγγύησης 1 ετών της Stanley Europe και να μάθετε την τοποθεσία του πλησιέστερου εξουσιοδοτημένου αντιπροσώπου επισκευών στο Internet στο [www.2helpU.com](http://www.2helpU.com), ή επικοινωνώντας με το τοπικό σας γραφείο Stanley FatMax στη διεύθυνση που υποδεικνύεται στο παρόν εγχειρίδιο.

Παρακαλούμε επισκεφθείτε την ιστοσελίδα μας [www.stanley.eu/3](http://www.stanley.eu/3) για να καταχωρίσετε το νέο σας προϊόν Stanley Fat Max και για να ενημερώνεστε για τα νέα προϊόντα και τις ειδικές προσφορές.





<b>België/Belgique</b>	Stanley Fat Max E. Walschaertstraat 14-16 2800 Mechelen Belgium	De. Tel. +32 70 220 065 Fr. Tel. +32 70 220 066 Fax +32 15 473 799 www.stanleytools.eu Enduser.be@SBDinc.com
<b>Danmark</b>	Stanley Fat Max Farveland 1B 2600 Glostrup	Tel. 70 20 15 10 Fax 70 22 49 10 www.stanleyworks.dk
<b>Deutschland</b>	Stanley Fat Max Richard Klinger Str. 11, D - 65510 Idstein	Tel. 06126 21-1 Fax 06126 21-2770
<b>Ελλάδα</b>	Stanley Fat Max. Στράβωνος 7 & Λεωφ. Βουλιαγμένης 159 Γλυφάδα 166 74 - Αθήνα	Τηλ. +30 210 8981-616 Φαξ +30 210 8983-285 www.stanleyworks.gr
<b>España</b>	Stanley Fat Max. Parc de Negocis "Mas Blau" Edificio Muntadas, c/Bergadá, 1, Of. A6 08820 El Prat de Llobregat (Barcelona)	Tel. 934 797 400 Fax 934 797 419 respuesta.postventa@sbdinc.com www.stanleyworks.es
<b>France</b>	Stanley Fat Max 5 allée des Hêtres B.P. 30084 69579 Limonest Cédex	Tel. 04 72 20 39 20 Fax 04 72 20 39 00 www.stanleyouillage.fr
<b>Helvetia</b>	Stanley Fat Max In der Luberzen 40 8902 Urdorf	Tel. 01 730 67 47 Fax 01 730 70 67 www.stanleyworks.de
<b>Italia</b>	Stanley Fat Max EnergyPark-Building 03 sud, Via Monza 7/A 20871 Vimercate (MB)	Tel. 039-9590200 Fax 039-9590313 www.stanley.it
<b>Nederland</b>	Stanley Fat Max Joulehof 12, 4600 RG Bergen op Zoom	Tel. +31 164 283 065 Fax +31 164 283 200 Enduser.NL@SBDinc.com
<b>Norge</b>	Stanley Fat Max Postboks 4613, Nydalen 0405 Oslo	Tlf. 45 25 13 00 Fax 45 25 08 00
<b>Österreich</b>	Stanley Fat Max Oberlaaerstraße 248, A-1230 Wien	Tel. 01 66116-0 Fax 01 66116-614 www.stanleyworks.de
<b>Portugal</b>	Stanley Fat Max Centro de Escritórios de Sintra Avenida Almirante Gago Coutinho, 132/134, Edifício 142710-418 Sintra 2710-418 Lisboa	Tel. 214667500 Fax 214667575 resposta.posvenda@sbdinc.com
<b>Suomi</b>	Stanley Fat Max Tekniikkatie 12, 02150 Espoo	Puh. 010 400 430 Faksi 0800 411 340 www.stanleyworks.fi
<b>Sverige</b>	Stanley Fat Max Box 94, 431 22 Mölndal	Tel. 031-68 61 00 Fax 031-68 60 08
<b>Türkiye</b>	Stanley Fat Max KALE Hırdavat ve Makina A.Ş. Defterdar Mah. Savaklar Cad. No:15 Edirnekapı / Eyüp / İSTANBUL 34050	Puh. 0212 533 52 55 Faks 0212 533 10 05 www.stanleyworks.fi
<b>United Kingdom</b>	Stanley Fat Max 210 Bath Road Slough, Berkshire SL1 3YD	Tel. +44 (0)1753 511234 Fax +44 (0)1753 551155 www.stanleytools.co.uk
<b>Middle East &amp; Africa</b>	Stanley Fat Max P.O.Box - 17164 Jebel Ali (South Zone), Dubai, UAE	Tel. +971 4 8127400 Fax +971 4 8127036 www.stanleyworks.ae