

Matching profiles Pure

Version: 15/06/2020

Product description

Matching profiles for Pure vinyl planks and tiles.



End profile

Reducer

T-profile

Logistic information

	contains	length	width	thickness	weight
1 profile		2000 mm	49 mm	10 mm	0.96 kg
1 pallet	150 skirtings	2000 mm	800 mm	370 mm	80 kg

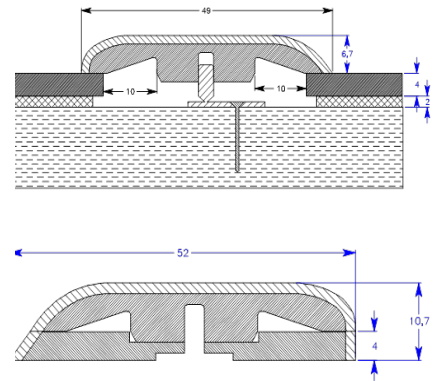
Installation

Use a screw driver to transform the 3-in-1 profile



Product composition

Core	MDF with a density of 680 kg/m ³
Cushion vinyl (2)	Waterresistant vinyl decor layer



Storage

Pure profiles should be stored flat in their package, in a room temperature of 5 - 40 °C. Humid storage rooms and sunlight should be avoided.



Phthalate Free

