

Wasteminator III & IV

English

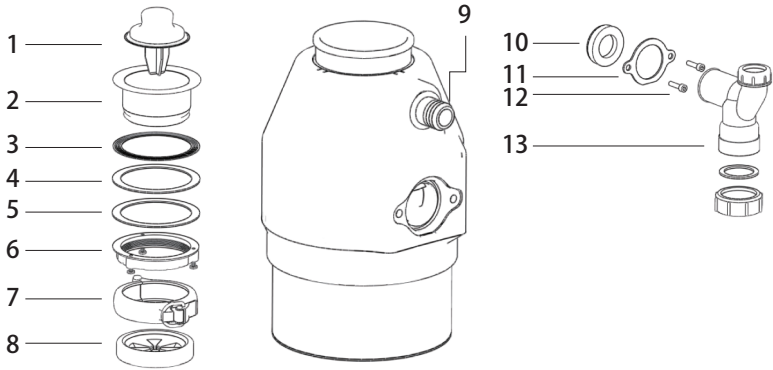


Please read the following before using the food waste disposer:

- 1, Please read the manual before using the food waste disposer
- 2, Please look after any child nearby when using the food waste disposer to prevent potential hazards.
- 3, Please don't insert fingers into the disposer when the disposer is operating.
- 4, Please unplug the electrical, before attempting to clean disposer or take out objects from inside disposer.
- 5, Please use long stick to free a jammed disposer.
- 6, Please use long tongs or pliers to take out objects from inside disposer.
- 7, Please don't put the following objects into the disposer to dispose:
 - A, shells
 - B, Drain cleaner
 - C, Glass, China or plastic
 - D, Large, whole bones
 - E, Metal, such as bottle caps, tin cans, or aluminum foil
 - F Whole corn husks
- 8, When not operating the disposer, leave the sink drain in the sink flange to prevent of objects falling into disposer.
- 9, Please assemble the splash guard before using the disposer.
- 10, Please read the wire part of the manual carefully, to make sure a sound grounding.
- 11, If you are not familiar with electrical, please refer to electrical book or

1.Parts installation drawings

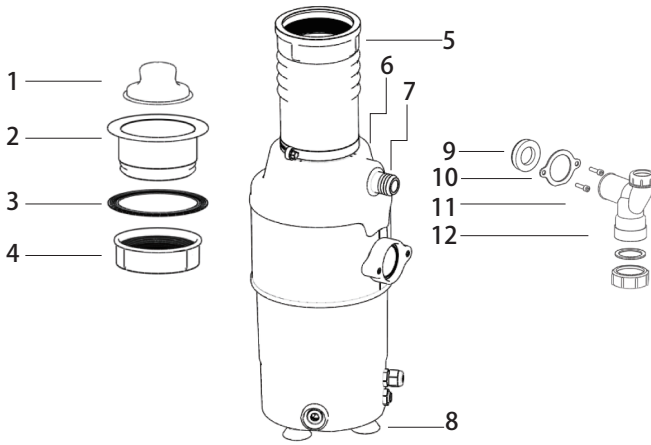
B Series installation parts (Picture 1.1)



(Picture 1.1)

Installation parts	disposer	discharging parts
1. plug	9. Dishwasher water inlet	10. Rubber seal
2. Sink flange		11. Pipe flange
3. rubber gasket		12. hexagon socket screw
4. sink gasket		
5. Fiber lining		13. Discharging bending pipe
6. Flange nut/ tightening screw		
7. Clamp ring		
8. Splash guard		

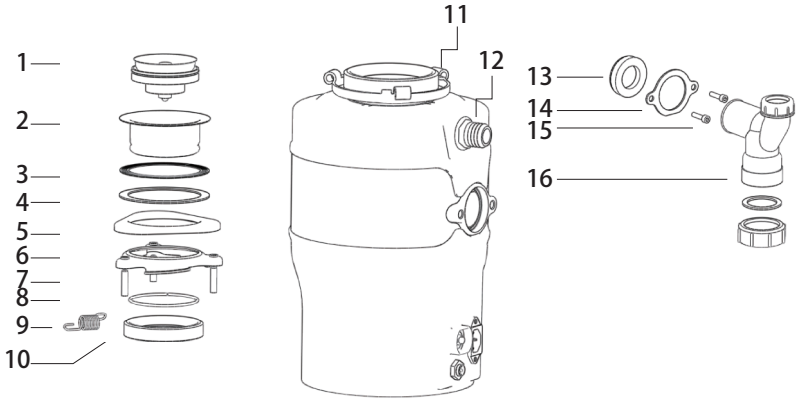
C series installation parts (picture 1.2)



(picture 1.2)

Installation parts	disposer	Discharging parts
1. plug	5. connection house	9. Rubber seal
2. Sink flange and splash guard	6. clamp	10. Bend pipe flange
3. Rubber gasket	7. Dishwasher water inlet	11. hexagon socket screw
4. Flange nut	8. Shock absorption leg	12. Discharging bending pipe

D series installation parts (picture 1.3)

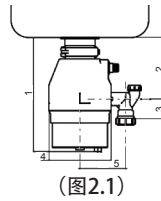


(picture 1.3)

Installation parts	disposer	discharging parts
1. Filter and splash guard	11. propeller	13. Rubber seal
2. Sink flange	12.dishwasher water inlet	14. Bend pipe flange
3. Rubber gasket		15. hexagon socket screw
4. Fiber lining		16. Discharge bending pipe
5. Support ring		
6. Mount ring		
7. screw (3)		
8. Snap ring		
9. Tension spring		
10. Sealing gasket/splash guard		

2. Check the installation size

1. Disposer's height(1)
2. The bottom of sink to the middle of discharging mouth (If not stainless steel sink you are using, please add extra 12mm to this height.) (2)
3. Disposer's width(4)
4. Disposer's vertical center line to the vertical center line of "U" pipe.(5)



(图2.1)

In order to drain off water properly, the outlet pipe (into the wall) shall located lower than the disposer unit.

3. Disconnect Sink Drain

1. Loosen nut at the top of trap with pipe wrench.
2. Loosen nut at the top of extension pipe. Remove extension pipe.
3. Loosen nut at base of sink flange.
4. Push sink flange up through sink hole and remove it.
5. Clean sink flange area of any putty or other debris.

Note: If the sink hole is suitable for the food waste disposer, please purchase the same sized sink from local dealer.

4. Disassemble New Disposer Mounting Assembly

B/D Series stainless steel clamp ring

1-1. Turn mounting assembly over and loosen three mounting screws until you can access snap ring.

1-2. Use screwdriver to pry snap ring (1) off of the sink flange. Mounting assembly will now come apart. (Picture 4.1)

B/D Series rubber clamp ring

2-1. Unlock the lock catch of the snap ring, take off the snap ring.

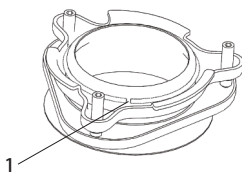
2-2. Take off the sink flange.

C Series Mounting Assembly

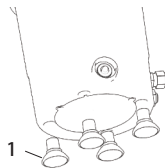
3-1. Insert four vibration suction cups (1) into the bottom of the disposer. (Picture 4.2)

3-2. Cut the connection hose properly according to the distance between sink bottom to the cabinet bottom. (Cut part 1) (Note: Make sure the incision is even).

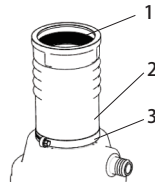
Insert glange nut into connecting hose, and then put the clamp onto the hose, connect the hose with the disposer, lock the clamp screw tight. (Picture 4.3)



(Picture4.1)



(Picture4.2)



(Picture4.3)

5. Attach Upper Mounting Assembly to Sink

B Series rubber mounting assembly (Picture 5.1)

1-1. Put one of two rubber gasket under sink flange. Ensure sink hole area is clear of debris and place sink flange/gasket into sink hole.

1-2. Working from under the sink, slip second rubber gasket, fiber lining over the sink flange, and then mount the feeding mouth locking screw and lock up.

1-3. Tighten three mounting screws up to sink until mounting assembly is seated tightly and evenly against sink.

D series stainless steel mounting assembly (Picture 5.2)

2-1 Put one of two rubber gasket under sink flange. Ensure sink hole area is clear of debris and place sink flange/gasket into sink hole.

2-2. Working from under the sink, slip second rubber gasket, fiber lining and metal backup ring over the sink flange.

2-3. With the rubber gasket, fiber lining, backup ring and mounting ring tight against sink bottom, slide snap ring onto sink flange until it pops into groove flange.

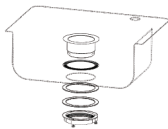
2-4. Tighten three mounting screws up to sink until mounting assembly is seated tightly and evenly against sink.

2-5. Hook the tension spring one side to one of three screw, and hook another side to the thruster slot.

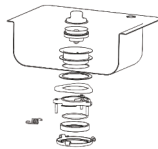
C series mounting assembly (Picture 5.3)

3-1. Put one of two rubber gasket under sink flange. Ensure sink hole area is clear of debris and place sink flange/gasket into sink hole.

3-2. Connect the cutted hose with sink flange by screwing in counterclockwise and tighten it up.



(Picture5.1)



(Picture5.2)



(Picture5.3)

6. Clean Sink Waste Pipe

Note: Failure to clean waste pipe may result in waste pipe blockage.

1. Remove trap

2. With drain auger, clear away all hardened waste material in horizontal drain line running from drain trap to main pipe.

7. Dishwasher Attachment And Overflow Connection

Wastewater from a dishwasher can be plumbed into the disposer through the inlet access on the upper part of the disposer. There is a plug on the inside of the inlet tube on all models. Once removed, the knockout plug can not be replaced.

Note: If the dishwasher connection is made without removing the plug, the dishwasher may overflow.

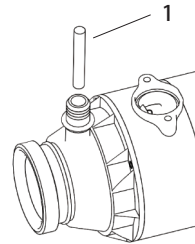
Remove Knockout Plug (Picture 7.1)

1. Lay disposer on its side and insert screwdriver (1) into the dishwasher inlet so tip rests on outer edge of knockout plug.

2. Tap end of screwdriver handle with hammer until molded plug breaks loose.

3. Remove loose knockout plug from inside disposer.

If you have a sink overflow, it should be connected to the overflow inlet on the tailpipe. To connect the overflow, remove the plug in the tailpipe by unscrewing the overflow connector cap.



(Picture 7.1)

8. Connect Disposer to Mounting Assembly

Note: To avoid personal injury, do not position your head or body under disposer, the unit could fall during installation.

Clear any objects from inside the disposer grind chamber before mounting the disposer to the sink.

1. This product must be installed so that the motor reset button located on the bottom of the disposer is readily accessible. Keep this space clear of all objects.

2.1 Lift the disposer, inset the top end into the mounting assembly and turn. So the mounting assembly bottom end can slide into the splash guard slot. (B series rubber clamp ring)

2.2 Position disposer with three mounting tabs aligned in position to slide over mounting tracks. (B/D stainless steel clamp ring)

3.1 Mount the locking ring, and lock it up. (B series rubber clamp ring)

3.2 Lift disposer, insert top end (mounting gasket) into mounting assembly, and turn lower mounting ring to right (with wrenchette or adjustable pliers) until mounting tabs lock over ridges on mounting ring tracks. Make sure all three mounting tabs are locked over ridges. Disposer will now be fixed by itself. Fix its position with tension spring. (B/D stainless steel clamp ring)

4. Run water into sink, then check for leaks. Insert sound baffle into sink flange.

9. Attach Discharge Tube to Waste Drain Pipe

Note:

Please use the supplied spring type hose clamp. Failure to use the supplied tubes and spring type hose clamp will void the guarantee and possibly cause premature failure of the anti-vibration tailpipe mount.

Do not use plumber's putty on any other disposer connection other than on sink flange. Do not use thread sealants or pipe dope. These may harm disposer and cause property damage.

Regularly inspect disposer and plumbing fittings for water leaks, as water leaks can cause property damage. Manufacturer can not be held responsible for property damage as a result of water leaks.

Discharge pipe installation (Picture 9.1)

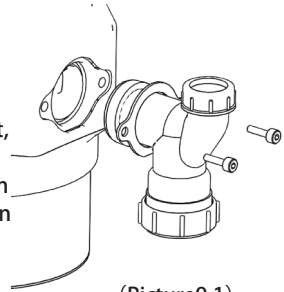
1. Place metal flange over discharge tube. Insert rubber gasket with gasket lip facing the metal flange into discharge tube.

2. Secure metal flange and discharge tube to disposer with bolts.

3. Rotate disposer so that discharge tube is aligned with drain trap. (To prevent leaks, do not pull or bend discharge tube to drain trap.) If discharge tube is too short, you can purchase an extension from hardware store.

4. Place nut, then ferrule on discharge tube and tighten on drain trap. (If you have a double sink, use separate drain traps for both sides of sink.)

Ensure lower mounting ring is still securely locked over ridges on mounting flange.



(Picture9.1)

10. Connect Disposer to Electrical Supply (10.1)

Warning Electrical shock

- To avoid electrical shock, disconnect power before installation or servicing disposer.

- If you are not thoroughly familiar with electrical power, contact a qualified electrician to connect disposer to electrical circuit.

- If three-prong, earth plug is used, plug must be inserted into three hole, earth receptacle.

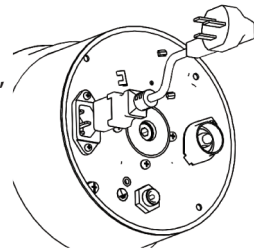
- All wiring must comply with local electrical codes.

- Do not attach earth wire to gas supply pipe.

- If the supply cord is damaged, it must be replaced

by the manufacturer, its service agent or similar qualified persons in order to avoid hazard.

Note: You must have access to an earth wall socket. Any additional socket should be fitted by a qualified electrician and properly earthed. The disposer is fitted with a molded plug and cable.



(Picture10.1)

On/off Control

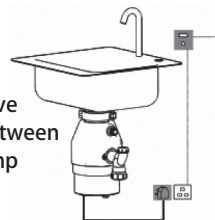
There are two types of controls for continuous-feed disposers: a double pole switch and an air switch.

○Double Pole Switch

If an wall switch (not supplied) is required for your installation, it must have on/off markings and be installed by a qualified tradesperson. It should be located in a convenient position above the work surface with minimum of 3mm contact separation between each pole. Connect to a 20 amp earth wall socket using a 20 amp cable. (Picture 10.2)

○Air Switch:

Air switch is included with each disposer. An air switch



(Picture10.2)

3. This appliance is not intended for use by persons (including children) with reduced physical, sensory or mental capabilities, or lack of experience and knowledge, unless they have been given supervision or instruction concerning use of appliance by a person responsible for their safety. Children should be supervised to ensure that they do not play with disposer. To reduce the risk of injury, close supervision is required when an appliance is used near children.

4. When attempting to loosen a jam in the food waste disposer, switch off or unplug the appliance before attempting to free a jammed rotor. UASE A SELF SERVICE WRENCHETTE AS DESCRIBED IN THE RELEASING DISPOSER JAM SECTION

5. Use long-handle tongs or pliers to remove objects from disposer.

6. To reduce the risk of injury by materials that are expellable by a waste disposer, do not operate disposer without the sound baffle in place. (See picture) Place stopper in sink opening. Do not put the following into a disposer: clam or oyster shells, large bones, metal (such as bottle caps, steel shot, tin cans, or utensils), hot grease or other hot liquids.

7. Replace sound baffle/mounting gasket/splash guard when worn to help prevent entry or ejection of material and water.

8. When not using disposer, leave stopper in place to reduce risk of objects falling into disposer. Make sure disposer power switch is turned off.

9. Before pressing reset button, attempting to clear jam, or removing objects falling into disposer. Make sure disposer power switch is turned off.

10. Do not insert hands or fingers into disposer.

11. Fire Hazard: Do not store flammable items such as rags, paper, or aerosol cans near disposer. Do not store or use gasoline or other flammable vapors and liquids in vicinity of disposer.

12. Do not dispose of the following in the disposer: paints, solvents, household cleaners and chemicals, automotive fluids, plastic wrap.

13. B/C/D series of disposers are designed to national standard for intermittent usage, shall not be used continuously per time.

Operation Instructions (B、C series)

1. Remove strainer basket and plug from sink opening and run cold water.

2. Turn on wall switch or press air switch (See picture) to start disposer.

3. Slowly insert food waste into disposer and position strainer basket in right place to minimize noise and possible ejection of material while grinding. (See picture)

4. After grinding is complete, turn disposer off and run water for at least 15 seconds to flush drain line.

Operation Instruction (D series)

1. Remove strainer basket and plug from sink opening and run cold water.

2. Turn on wall switch or press air switch (See picture) to start disposer.

3. Slowly insert food waste into disposer and position strainer basket in upright position to minimize noise and possible ejection of material while grinding.

4. Strainer basket and plug also acts as a stopper in the lower position.

Do.....

• Grind food waste with minimum cold water flow of 6 liters per minute(1.5G.P.M).

- Grind hard material such as small bones and fruit pits to clean inside of grind chamber.
- Grind citrus, melon rinds, vegetables, and coffee grounds.
- After grinding, run water for at least 15 seconds to flush drain line.
- Switch off or unplug the appliance before attempting to free a jammed rotor with implement.
- Maintain the area underneath the disposer of any objects to be sure you have access to the disposer reset button.

Don't.....

- Don't use hot water when grind food waste (although hot water can be drained into disposer between grinding period) .
 - Don't turn off water or disposer until grinding is complete and only sound of motor and water running is heard.
 - Don't grind large amount of egg shells, fibrous materials like corn husks, artichokes, etc., to avoid possible pipe blockage
 - Don't grind non-food waste of any kind.
 - Don't use this appliance to dispose of hard materials such as glass and metal.
 - Don't ever pour fats, oils or grease down the sink- it will block your drains and sewage system.
 - Don't fill disposer with lots of vegetable peels all at once. Instead, turn the water and disposer on first and then feed the peels in gradually.
- Over time, grease/food particles may accumulate in the grind chamber and baffle, causing an unpleasant odor. To clean the disposer:

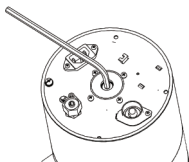
Cleaning Disposer:

1. Turn off disposer and disconnect power supply.
2. Reach through sink opening and clean underside of the splash baffle and inside upper lip of grind chamber with scouring pad.
3. Place stopper in sink opening and fill sink halfway with warm water.
4. Mix 60ml baking soda with water. Turn disposer on and remove stopper from sink at the same time to wash away loose particles.

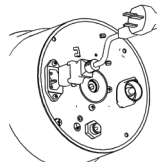
Releasing Disposer Jam

If the motor stops while the disposer is operating, the disposer may be jammed. To release jam:

1. Turn disposer power and water off.
2. Insert one end of the self-service wrenchette into the center hole on the bottom of the disposer (See picture 11.1) . Work the wrenchette back and forth until it turns one full revolution. Remove the wrenchette.
3. Reach into the disposer with tongs and remove objects. Allow the disposer motor



(图11.1)



(图11.2)

to cool for 3-5 minutes and lightly push red reset button on the disposer bottom (See picture 11.2) (Note: for B series DC model, C series and D series, the reset button is located at the side of disposer.)

Warranty is determined by the unit serial Number and date of installation. Purchase or installation receipt may be required to verify warranty status.

B series AC model 3 Yearw

B series DC model 2 Years

C series DC model 2 Year

D series AC model 6 Year

Service

If service is required, contact authorized service center or your dealer. Guarantees are void if you remove your disposer after installation and attempt to repair, or if the disposer is used for commercial usage.

THERMEX SCANDINAVIA A/S SERVICEAFD.:

Farøvej 30 • 9800 Hjørring • Danmark

Tlf.: 98 92 62 33

E-mail: service@thermex.dk

THERMEX SCANDINAVIA AS

Tel.: 22 21 90 20 • Fax: 22 21 90 21

E-mail: service@thermex.no • www.thermex.no

THERMEX SCANDINAVIA AB

Importgatan 12 A • S-422 46 Hisings Backa

Tel: 031 340 82 00

E-mail: info@thermex.se • www.thermex.se

THERMEX SCANDINAVIA S.L.U.

C/Noi del Sucre, 42 • 08840 Viladecans

Tel.: 93 637 30 03

E-mail: info@thermex.es • www.thermex.es

THERMEX SCANDINAVIA AS

+358 942454000

E-mail: info@thermex.fi • www.thermex.fi

