

## LAUFEN PRO S

## Vanity unit, 1 drawer, matches washbasin 813966



## DIMENSIONS

Length	1010 mm
Width	450 mm
Height	390 mm

## COLOUR AND FINISH

463 White

## SPECIFICATION TEXT

Body/Front – MDF board with PVC foil Integrated handle in the front

## MOUNTING ACCESSORIES INCLUDED

Installation set for furniture, order no. 49120.6.,49114.0

## MOUNTING ACCESSORIES EXCLUDED

Feet (2 pieces), aluminium, order no. 483101.Towel rail, anodized aluminium, order no. 490952.Space saving siphon, order no. 894240

Adjustable legs

Installation type : Wall-hung

Taphole configuration : No tapholes

Basin position : Central

Internal drawers : 0

Basin type : Vanity

Internal shelves : 0

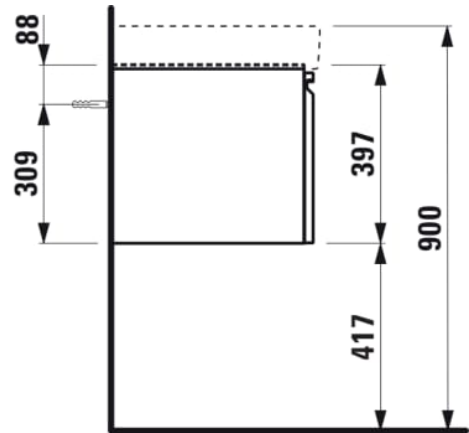
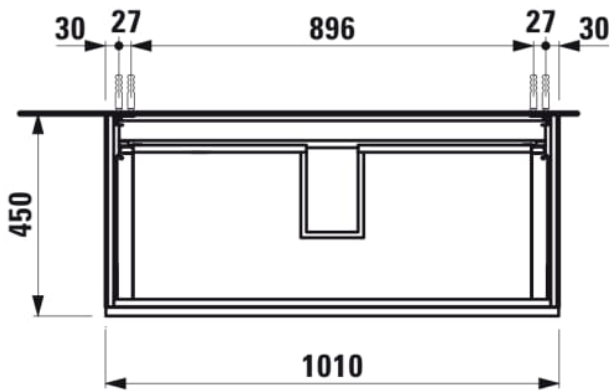
Doors and drawers combination : 1 drawer

Legs included : 0

Furniture configuration : Drawers

Net weight (kg) : 26

TECHNICAL DRAWINGS



COMPATIBLE WITH



Washbasin

**H813966...1041**



Towel holder for furniture,  
400 mm

**H490952...0001**

COMPATIBLE WITH



Set of adjustable feet (2  
pieces), height 415 mm,  
anodized aluminium  
surface

**H4831010960041**

## LAUFEN PRO S

LAUFEN pro S is the new member of the successful LAUFEN pro series. Thanks to the delicate redesign, the elegant pro S is compatible with all pro variants.

