

## LAUFEN PRO S

Vanity unit, 1 drawer and interior drawer, incl. drawer organiser, matches washbasin 813966



### DIMENSIONS

Length	1010 mm
Width	450 mm
Height	390 mm

### COLOUR AND FINISH

463 White

### SPECIFICATION TEXT

Body/Front – MDF board with PVC foil Integrated handle in the front

### MOUNTING ACCESSORIES INCLUDED

Installation set for furniture, order no. 49120.6,.49114.0

### MOUNTING ACCESSORIES EXCLUDED

Feet (2 pieces), aluminium, order no. 483101.Towel rail, anodized aluminium, order no. 490952.Space saving siphon, order no. 894240

Adjustable legs

Installation type : Wall-hung

Net weight (kg) : 32.5

Basin position : Central

Internal dividers

Taphole configuration : No tapholes

Basin type : Vanity

Internal drawers : 1

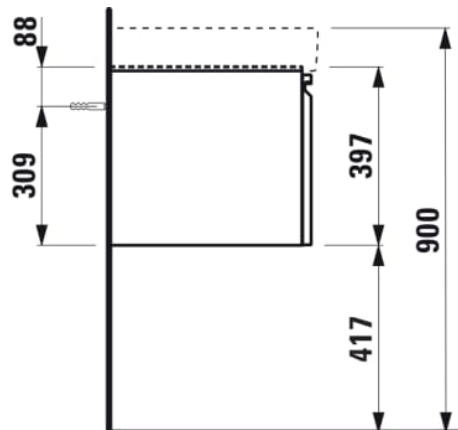
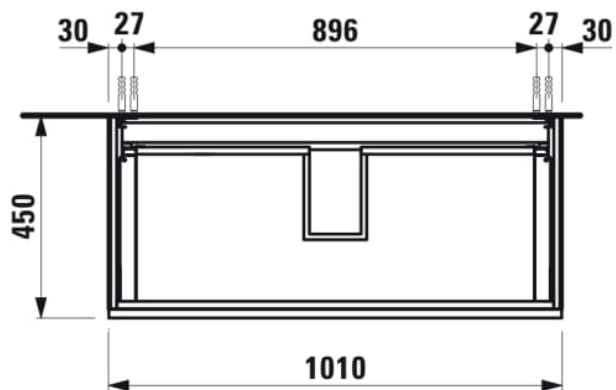
Doors and drawers combination : 1 drawer

Internal shelves : 0

Furniture configuration : Drawers

Legs included : 0

TECHNICAL DRAWINGS



COMPATIBLE WITH



Washbasin

**H813966...1041**



Towel holder for furniture,  
400 mm

**H490952...0001**

COMPATIBLE WITH



Set of adjustable feet (2  
pieces), height 415 mm,  
anodized aluminium  
surface

**H4831010960041**

## LAUFEN PRO S

LAUFEN pro S is the new member of the successful LAUFEN pro series. Thanks to the delicate redesign, the elegant pro S is compatible with all pro variants.

