



LAUFEN PRO S

Vanity unit, 1 door, right hinged, 1 glass shelf,
matches washbasin 815961

DIMENSIONS

Length	415 mm
Width	320 mm
Height	580 mm

COLOUR AND FINISH

<input type="checkbox"/>	475 White glossy
--------------------------	------------------

SPECIFICATION TEXT

Vanity unit 450 mm for 815961, with door right, body/front – MDF board with PVC foil, integrated handle in the front

MOUNTING ACCESSORIES INCLUDED

Installation set for furniture, order no. 49120.6,.49114.0

MOUNTING ACCESSORIES EXCLUDED

Feet (2 pieces), aluminium, order no. 483100.Space saving siphon, order no. 894240

Adjustable legs

Basin position : Central

Basin type : Vanity

Door type : Hinged

Doors and drawers combination : 1 door

Furniture configuration : Doors

Installation type : Wall-hung

Internal drawers : 0

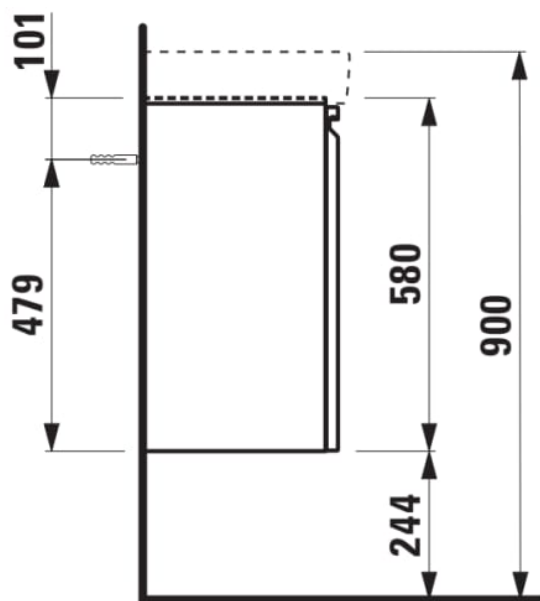
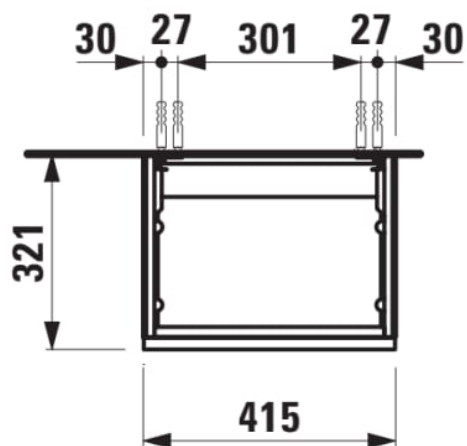
Legs included : 0

Net weight (kg) : 13

Right hand opening

Taphole configuration : No tapholes

TECHNICAL DRAWINGS

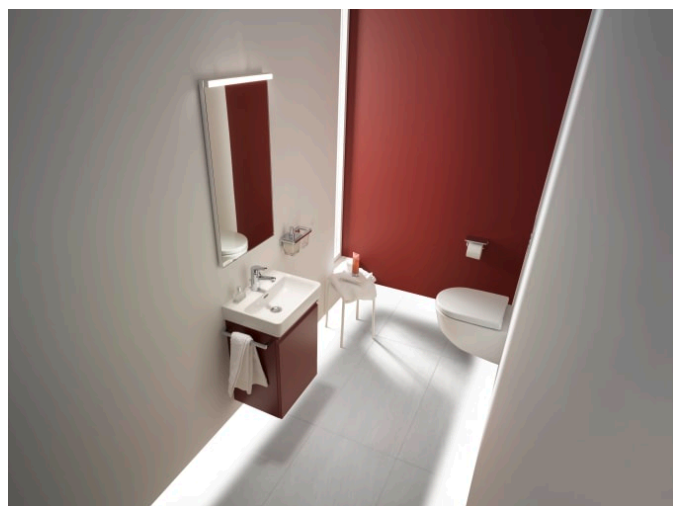


COMPATIBLE WITH



Set of adjustable feet (2 pieces), height 245 mm, anodized aluminum surface

H4831000960041



LAUFEN PRO S

LAUFEN pro S is the new member of the successful LAUFEN pro series. Thanks to the delicate redesign, the elegant pro S is compatible with all pro variants.

