

## SONAR

### Washbasin



#### DIMENSIONS

Length	600 mm
Width	420 mm
Height	145 mm

#### COLOUR AND FINISH

<input type="checkbox"/>	000 White
--------------------------	-----------

#### OPTIONS

104 - one tap hole, centre

#### MOUNTING ACCESSORIES EXCLUDED

Design siphon with siphon cover DN 32 chrome, order no. 37498.0 Mounting set M10 x 140 mm, order no. 89988.2

Basin capacity (l) : 8.3

Bowl depth (mm) : 100

Bowl length (mm) : 600

Bowl position : Central

Bowl width (mm) : 310

Installation type : Wall-hung

Internal Shape : 5 - Soft

Material : Saphirkeramik

Net weight (kg) : 12.3

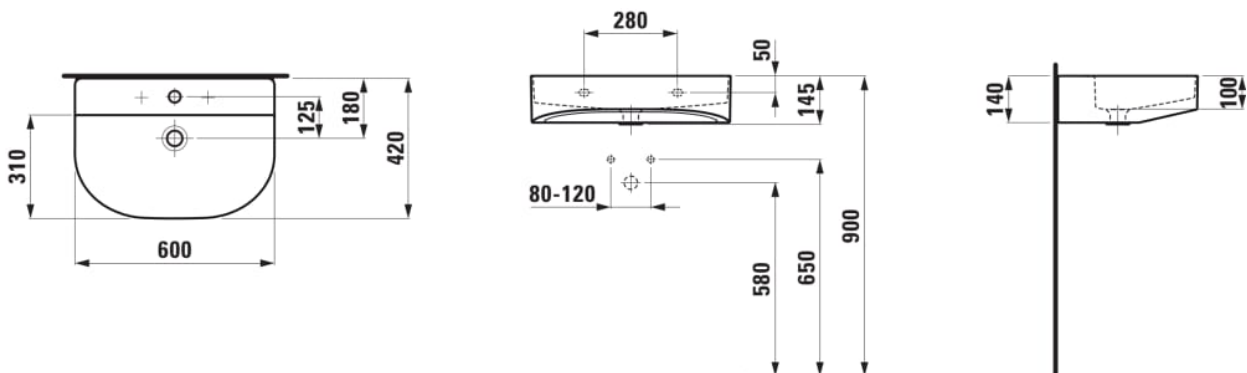
Number of fixing points : 2

Overflow type : Standard

Shape : Soft

Taphole configuration : 1 taphole in the middle

#### TECHNICAL DRAWINGS



COMPATIBLE WITH



Vanity unit, 2 doors,  
matching washbasin  
810342

**H405483034...1**



## SONAR

The internationally acclaimed and eclectic designer Patricia Urquiola reveals the third generation of LAUFENs Saphirkeramik - she is taking this extraordinary material with great sensitivity into a third dimension - creating this new collection with the name: SONAR.

