

EAN: 6414150078149

www.oras.com/en/products/oras/product/3940



Bath and shower faucet with fixed spout, diverter and aerator. There are also in-built limitation options for water temperature and maximum flow-rate.

- Bathroom, Shower
- Single lever
- Wall mounted
- Chrome
- Fixed spout
- pull diverter
- limitation option for maximum flow-rate
- temperature limiter

Technical data

Flow properties

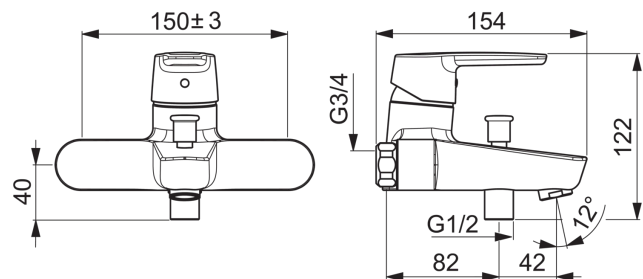
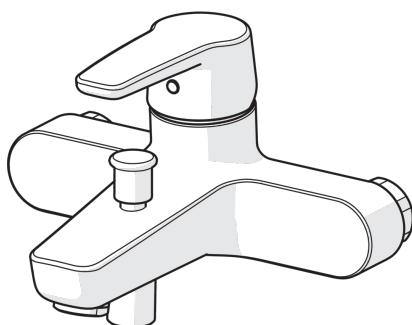
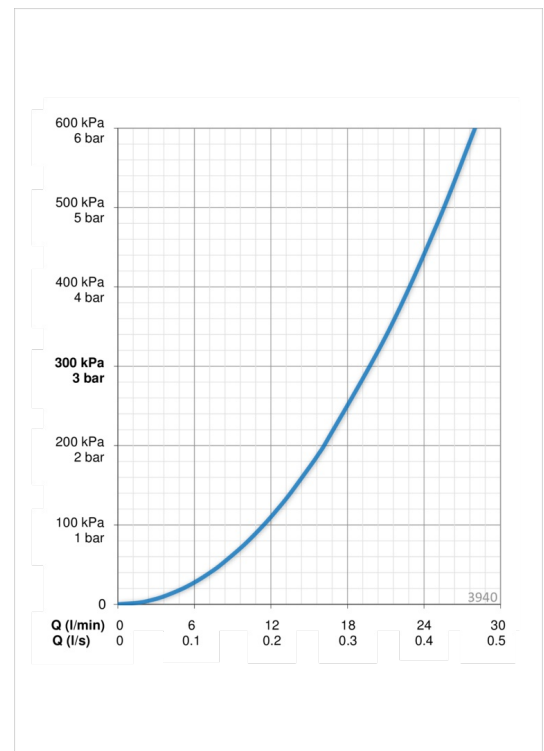
Flow-rate at 300 kPa	0.33 l/s
Pressure loss with flow (0.2 l/s)	165 kPa
Pressure loss with flow (0.3 l/s)	300 kPa

Technical properties

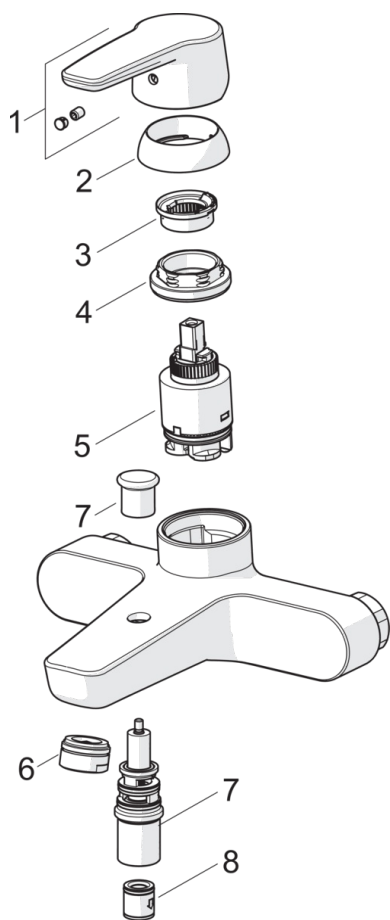
Hot water supply	max. +80°C
Working pressure	50 - 1000 kPa
Connection size	G3/4
Installation width	CC150± 3 mm
ItemProjection	157 mm

Regulations

Noise class	II (ISO 3822) Oras lab.
-------------	--------------------------------



Spare parts



SP3940

	Code
01	1000801V
02	601967V
03	601973V
04	601968V
05	601969V
06	602104V
07	602103V
08	601989V